



Distribution Design Catalogue

Streetlights

Section 12 (SL)



Revision List

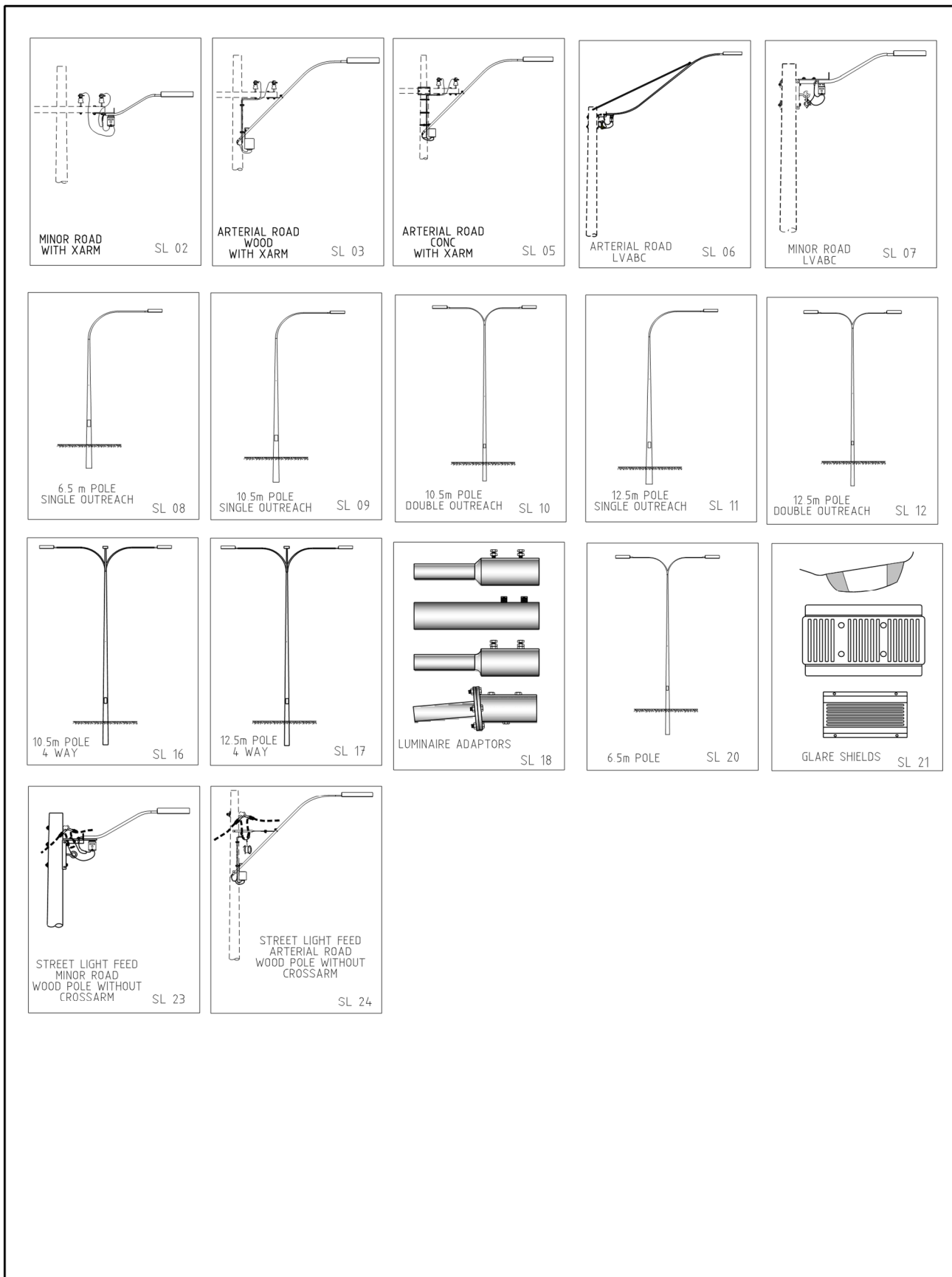
For drawing revisions please refer to the DDC Amendment list EDM# 24803827

General Notes

NOTE #	DESCRIPTION
1	Driving point is not required for normal ground conditions including small coffee rocks and shale. For harder ground condition, a driving point is recommended. (It is unlikely the driving point will be suitable for granite rock)
2	Expulsion Dropout Fuse (EDO) base and links as well as K-Mate fuse current limiters are not included in CUs but listed in HV51. Fault Tamer fuse base and links are listed in HV52. Fault Tamer fuse are not to be used on 33kV networks and have a maximum rating of 20A. EDOs are used on 33kV networks and for current rating greater than 20A.
3	For the physical dimension tables the uppermost king bolt / eye bolt is the reference point with coordinates X=0.0, Y=0.0 (Datum)
4	The conductor location in the Y axis of the physical dimension tables lists the height of the conductor on the top of the post insulator above the datum. This dimension has been rounded down taking equipment differences, manufacturing tolerances and installation variations into account. On angle structures, where the conductor is attached to the side of the insulator head the conductor is located marginally lower than if located on the top of the insulator. No adjustment is considered necessary to the Y dimension in these cases.
5	For conductor clashing calculation, apply the correct Y dimension which may differ from that listed in the dimension table which is used for ground clearance simulation purposes. E.g. HV09 RHS span (centre to outer phase) Ydim to be 230mm and not 310mm.
6	HV isolators to be selected according to HV53.

© Copyright of Western Power

Any use of this material except in accordance with a written agreement with Western Power is prohibited.



				COMPATIBLE UNIT			DISTRIBUTION DESIGN CATALOGUE			
				TITLE			DRAWN: JRR DATE: 17-04-2014 DRG No:		SL INDEX	
				SL LED COMPATIBLE UNITS			ORIGINATED: SCALE: NTS		REV: K ISHT:	
							CHECKED: REE		APPROVED: GRANT STACY	
REV	DATE	DESCRIPTION		ORGD	CHKD	APRD				
K	22 06 20	REVISED TO SUIT		CO	REE	GS				
J	17 08 18	REVISED TO SUIT LED LUMINAIRE		REE	CO	GS				
H	13 06 13	ORIGINAL ISSUE								

Streetlights CU List for Colour Temperature 4000K

CU	CU DESCRIPTION
SL2_1L	Minor road Wood/conc. Pole with xarm_20W LED (equiv 42W CFL)
SL2_1L_MP	Minor road Wood/conc. Pole with xarm_20W LED menu price (equiv 42W CFL)
SL2_2L	Minor road Wood/conc. Pole with xarm_53W LED (equiv 125W MV)
SL2_2L_MP	Minor road Wood/conc. Pole with xarm_53W LED menu price (equiv 125W MV)
SL2_3L	Minor road Wood/conc. Pole with xarm_36W LED (equiv 70W MH & HPS)
SL2_3L_MP	Minor road Wood/conc. Pole with xarm_36W LED menu price (equiv 70W MH & HPS)
SL3_4L	Arterial road Wood pole with xarm_80W LED (equiv 150W HPS & MH)
SL3_4L_MP	Arterial road Wood pole with xarm_80W LED menu price (equiv 150W HPS & MH)
SL3_5L	Arterial road Wood pole with xarm_135W LED (equiv 250W MH)
SL3_5L_MP	Arterial road Wood pole with xarm_135W LED menu price (equiv 250W MH)
SL3_6L	Arterial road Wood pole with xarm_170W LED (equiv 250W HPS)
SL3_6L_MP	Arterial road Wood pole with xarm_170W LED menu price (equiv 250W HPS)
SL5_4L	Arterial road concrete poles with xarm_80W LED (equiv 150W HPS & MH)
SL5_4L_MP	Arterial road concrete pole with xarm_80W LED) menu price (equiv 150W HPS & MH)
SL5_5L	Arterial road concrete pole with xarm_135W LED (equiv 250W MH)
SL5_5L_MP	Arterial road concrete pole with xarm_135W LED menu price (equiv 250W MH)
SL5_6L	Arterial road concrete pole with xarm_170W LED (equiv 250W HPS)
SL5_5L_MP	Arterial road concrete pole with xarm_170W LED menu price (equiv 250W HPS)
SL6_4L	Arterial road LVABC_80W LED (equiv 150W HPS & MH)
SL6_4L_MP	Arterial road LVABC_80W LED menu price (equiv 150W HPS & MH)
SL6_5L	Arterial road LVABC_135W LED (equiv 250W MH)
SL6_5L_MP	Arterial road LVABC_135W LED menu price (equiv 250W MH)
SL6_6L	Arterial road LVABC_170W LED (equiv 250W HPS)
SL6_6L_MP	Arterial road LVABC_170W LED menu price (equiv 250W HPS)
SL7_1L	Minor Road LVABC_20W LED (equiv 42W CFL)
SL7_1L_MP	Minor Road LVABC_20W LED menu price (equiv 42W CFL)
SL7_2L	Minor Road LVABC_53W LED (equiv 125W MV)
SL7_2L_MP	Minor Road LVABC_53W LED menu price (equiv 125W MV)
SL7_3L	Minor Road LVABC_36W LED (equiv 70W MH & HPS)
SL7_3L_MP	Minor Road LVABC_36W LED menu price (equiv 70W MH & HPS)
SL8_1L	Single outreach steel standard 6.5m_20W LED (equiv 42W CFL)
SL8_2L	Single outreach steel standard 6.5m_53W LED (equiv 125W MV)
SL9_4L	Single outreach steel standard 10.5m_80W LED (equiv 150W HPS & MH)
SL9_5L	Single outreach steel standard 10.5m_135W LED (equiv 250W MH)
SL9_6L	Single outreach steel standard 10.5m_170W LED (equiv 250W HPS)
SL10_4L	Double outreach steel standard 10.5m 80W LED (equiv 150W HPS & MH)
SL10_5L	Double outreach steel standard 10.5m 135W LED (equiv 250W MH)
SL10_6L	Double outreach steel standard 10.5m 170W LED (equiv 250W HPS)
SL11_4L	Single Outreach steel standard 12.5m 80W LED (equiv 150W HPS & MH)
SL11_5L	Single outreach steel standard 12.5m 135W LED (equiv 250W MH)
SL11_6L	Single outreach steel standard 12.5m 170W LED (equiv 250W HPS)
SL12_4L	Double outreach steel standard 12.5m 80W LED (equiv 150W HPS & MH)
SL12_5L	Double outreach steel standard 12.5m 135W LED (equiv 250W MH)
SL12_6L	Double outreach steel standard 12.5m 170W LED (equiv 250W HPS)

CU	CU DESCRIPTION
SL16_4L	4 Way outreach steel standard 10.5m_80W LED (equiv 150W HPS & MH)
SL16_5L	4 Way outreach steel standard 10.5m_135W LED (equiv 250W MH)
SL16_6L	4 Way outreach steel standard 10.5m_170W LED (equiv 250W HPS)
SL17_4L	4 Way outreach steel standard 12.5m_80W LED (equiv 150W HPS & MH)
SL17_5L	4 Way outreach steel standard 12.5m_135W LED (equiv 250W MH)
SL17_6L	4 Way outreach steel standard 12.5m_170W LED (equiv 250W HPS)
SL18_GRACE	Luminaire adaptor for RoadGrace LED (equiv 42W CFL, 125W MH & HPS)
SL18_FLAIR	Luminaire adaptor for RoadFlair LED (equiv 150/250 MH & HPS)
SL18_BOURKE	Luminaire adaptor to fit - Bourke Hill Luminaire
SL20_1L	Double outreach steel standard 6.5m 20W LED (equiv 42W CFL)
SL20_2L	Double outreach steel standard 6.5m 53W LED (equiv 125W MV)
SL20_3L	Double outreach steel standard 6.5m 36W LED (equiv 70W MH & HPS)
SL21_SHADEMP	Light shade installation menu price
SL21_42	Glare shield for 42W CFL SL
SL21_70B	Glare shield (Back) for 70W & 125W SL
SL21_70FB	Glare shield (Front & Back) for 70W & 125W SL
SL21_80	Glare shield for 50W & 80W MV SL
SL21_150	Glare shield for 150W & 250W SL
SL21_GRACE	Glare shield for RoadGrace LED
SL21_FLR_4L	Glare shield for Flair 80W LED
SL21_FLR_5L	Glare shield for Flair 160W LED
SL21_FLR_6L	Glare shield for Flair 170W LED
SL23_1L	Streetlight Feed - Minor road Wood pole without xarm_20W LED (equiv 42W CFL)
SL23_2L	Streetlight Feed - Minor road Wood pole without xarm_53W LED (equiv 125W MV)
SL23_3L	Streetlight Feed - Minor road Wood pole without xarm_36W LED (equiv 70W MH & HPS)
SL24_4L	Streetlight Feed - Arterial road Wood pole without xarm_80W LED (equiv 150W HPS & MH)
SL24_5L	Streetlight Feed - Arterial road Wood pole without xarm_135W LED (equiv 250W MH)
SL24_6L	Streetlight Feed - Arterial road Wood pole without xarm_170W LED (equiv 250W HPS)

Streetlights LED CU List for Colour Temperature 3000K

CU	CU DESCRIPTION
SL2_1E	Minor road Wood/conc. Pole with xarm_16W LED (equiv 42W CFL)
SL2_1E_MP	Minor road Wood/conc. Pole with xarm_16W LED menu price (equiv 42W CFL)
SL2_2E	Minor road Wood/conc. Pole with xarm_43W LED (equiv 125W MV)
SL2_2E_MP	Minor road Wood/conc. Pole with xarm_43W LED menu price (equiv 125W MV)
SL2_3E	Minor road Wood/conc. Pole with xarm_28W LED (equiv 70W MH & HPS)
SL2_3E_MP	Minor road Wood/conc. Pole with xarm_28W LED menu price (equiv 70W MH & HPS)
SL3_4E	Arterial road Wood pole with xarm_70W LED (equiv 150W HPS & MH)
SL3_4E_MP	Arterial road Wood pole with xarm_70W LED menu price (equiv 150W HPS & MH)
SL3_5E	Arterial road Wood pole with xarm_160W LED (equiv 250W MH)
SL3_5E_MP	Arterial road Wood pole with xarm_160W LED menu price (equiv 250W MH)
SL3_6E	Arterial road Wood pole with xarm_165W LED (equiv 250W HPS)
SL3_6E_MP	Arterial road Wood pole with xarm_165W LED menu price (equiv 250W HPS)
SL5_4E	Arterial road concrete poles with xarm_70W LED (equiv 150W HPS & MH)
SL5_4E_MP	Arterial road concrete pole with xarm_70W LED) menu price (equiv 150W HPS & MH)
SL5_5E	Arterial road concrete pole with xarm_160W LED (equiv 250W MH)
SL5_5E_MP	Arterial road concrete pole with xarm_160W LED menu price (equiv 250W MH)
SL5_6E	Arterial road concrete pole with xarm_165W LED (equiv 250W HPS)
SL5_5E_MP	Arterial road concrete pole with xarm_165W LED menu price (equiv 250W HPS)
SL6_4E	Arterial road LVABC_70W LED (equiv 150W HPS & MH)
SL6_4E_MP	Arterial road LVABC_70W LED menu price (equiv 150W HPS & MH)
SL6_5E	Arterial road LVABC_160W LED (equiv 250W MH)
SL6_5E_MP	Arterial road LVABC_160W LED menu price (equiv 250W MH)
SL6_6E	Arterial road LVABC_165W LED (equiv 250W HPS)
SL6_6E_MP	Arterial road LVABC_165W LED menu price (equiv 250W HPS)
SL7_1E	Minor Road LVABC_16W LED (equiv 42W CFL)
SL7_1E_MP	Minor Road LVABC_16W LED menu price (equiv 42W CFL)
SL7_2E	Minor Road LVABC_43W LED (equiv 125W MV)
SL7_2E_MP	Minor Road LVABC_43W LED menu price (equiv 125W MV)
SL7_3E	Minor Road LVABC_28W LED (equiv 70W MH & HPS)
SL7_3E_MP	Minor Road LVABC_28W LED menu price (equiv 70W MH & HPS)
SL8_1E	Single outreach steel standard 6.5m_16W LED (equiv 42W CFL)
SL8_2E	Single outreach steel standard 6.5m_43W LED (equiv 125W MV)
SL8_3E	Single outreach steel standard 6.5m_28W LED (equiv 70W MH & HPS)
SL9_2E	Single outreach steel standard 10.5m_43W LED (equiv 125W MV)
SL9_4E	Single outreach steel standard 10.5m_70W LED (equiv 150W HPS & MH)
SL9_5E	Single outreach steel standard 10.5m_160W LED (equiv 250W MH)
SL9_6E	Single outreach steel standard 10.5m_165W LED (equiv 250W HPS)
SL10_2E	Double outreach steel standard 10.5m_43W LED (equiv 125W MV)
SL10_4E	Double outreach steel standard 10.5m 70W LED (equiv 150W HPS & MH)
SL10_5E	Double outreach steel standard 10.5m 160W LED (equiv 250W MH)
SL10_6E	Double outreach steel standard 10.5m 165W LED (equiv 250W HPS)
SL11_2E	Single outreach steel standard 12.5m_43W LED (equiv 125W MV)
SL11_4E	Single Outreach steel standard 12.5m 70W LED (equiv 150W HPS & MH)
SL11_5E	Single outreach steel standard 12.5m 160W LED (equiv 250W MH)

CU	CU DESCRIPTION
SL11_6E	Single outreach steel standard 12.5m 165W LED (equiv 250W HPS)
SL12_2E	Double outreach steel standard 12.5m_43W LED (equiv 125W MV)
SL12_4E	Double outreach steel standard 12.5m 70W LED (equiv 150W HPS & MH)
SL12_5E	Double outreach steel standard 12.5m 160W LED (equiv 250W MH)
SL12_6E	Double outreach steel standard 12.5m 165W LED (equiv 250W HPS)
SL16_2E	4 Way outreach steel standard 10.5m_43W LED (equiv 125W MV)
SL16_4E	4 Way outreach steel standard 10.5m_70W LED (equiv 150W HPS & MH)
SL16_5E	4 Way outreach steel standard 10.5m_160W LED (equiv 250W MH)
SL16_6E	4 Way outreach steel standard 10.5m_165W LED (equiv 250W HPS)
SL17_2E	4 Way outreach steel standard 12.5m_43W LED (equiv 125W MV)
SL17_4E	4 Way outreach steel standard 12.5m_70W LED (equiv 150W HPS & MH)
SL17_5E	4 Way outreach steel standard 12.5m_160W LED (equiv 250W MH)
SL17_6E	4 Way outreach steel standard 12.5m_165W LED (equiv 250W HPS)
SL18_GRACE	Luminaire adaptor for RoadGrace LED (equiv 42W CFL, 125W MH & HPS)
SL18_FLAIR	Luminaire adaptor for RoadFlair LED (equiv 150/250 MH & HPS)
SL18_BOURKE	Luminaire adaptor to fit - Bourke Hill Luminaire
SL18_REDUCE	Luminaire adaptor RoadFlair to non-standard Columns
SL20_1E	Double outreach steel standard 6.5m 16W LED (equiv 42W CFL)
SL20_2E	Double outreach steel standard 6.5m 43W LED (equiv 125W MV)
SL20_3E	Double outreach steel standard 6.5m 28W LED (equiv 70W MH & HPS)
SL21_SHADEMP	Light shade installation menu price
SL21_42	Glare shield for 42W CFL SL
SL21_70B	Glare shield (Back) for 70W & 125W SL
SL21_70FB	Glare shield (Front & Back) for 70W & 125W SL
SL21_80	Glare shield for 50W & 80W MV SL
SL21_150	Glare shield for 150W & 250W SL
SL21_GRACE	Glare shield for RoadGrace LED
SL21_FLR_4L	Glare shield for Flair 80W LED and smaller
SL21_FLR_5L	Glare shield for Flair 160W LED
SL21_FLR_6L	Glare shield for Flair 170W LED
SL23_1E	Streetlight Feed - Minor road Wood pole without xarm_16W LED (equiv 42W CFL)
SL23_2E	Streetlight Feed - Minor road Wood pole without xarm_43W LED (equiv 125W MV)
SL23_3E	Streetlight Feed - Minor road Wood pole without xarm_28W LED (equiv 70W MH & HPS)
SL24_4E	Streetlight Feed - Arterial road Wood pole without xarm_70W LED (equiv 150W HPS & MH)
SL24_5E	Streetlight Feed - Arterial road Wood pole without xarm_160W LED (equiv 250W MH)
SL24_6E	Streetlight Feed - Arterial road Wood pole without xarm_165W LED (equiv 250W HPS)

TRADITIONAL STOCK CODE	TRADITIONAL DESCRIPTION	SUPERSEDED LED		CURRENT LED		CABLE LENGTH	LED CU CLASSIFICATION
		STOCK CODE	WATT	STOCK CODE	WATT		
HL6232	18W LED (DI ONLY)	HL6300	20W	HL6600	16W	8m	_1L ³
		HL6301	20W	HL6601	16W	8m	_1E
HL6231	42W CFL	HL6300	20W	HL6600	16W	8m	_1L ³
		HL6301	20W	HL6601	16W	8m	_1E
HL3340	50W MV	HL6300	20W	HL6600	16W	8m	_1L ³
		HL6301	20W	HL6601	16W	8m	_1E
HL3341	80W MV	HL6300	20W	HL6600	16W	8m	_1L ³
		HL6301	20W	HL6601	16W	8m	_1E
HL6140	125W MV			HL6303 ²	53W	8m	_2L ³
		HL6304	53W	HL6604	43W	8m	_2E
		HL6305	53W	HL6605	43W	15m	_2E
HL6143	70W HPS			HL6306 ²	36W	8m	_3L ³
		HL6307	36W	HL6607	28W	8m	_3E
HL6147	70W MH			HL6306 ²	36W	8m	_3L ³
		HL6307	36W	HL6607	28W	8m	_3E
HL6145	150W HPS	HL6309	80W	HL6609	68W	15m	_4L ³
		HL6310	80W	HL6610	70W	15m	_4E
HL6148	150W MH	HL6309	80W	HL6609	68W	15m	_4L ³
		HL6310	80W	HL6610	70W	15m	_4E
HL6149	250W MH	HL6312	160W	HL6612	135W	15m	_5L ³
				HL6313	160W	15m	_5E
HL6146	250W HPS			HL6315	170W	15m	_6L ³
		HL6316	170W	HL6616	165W	15m	_6E

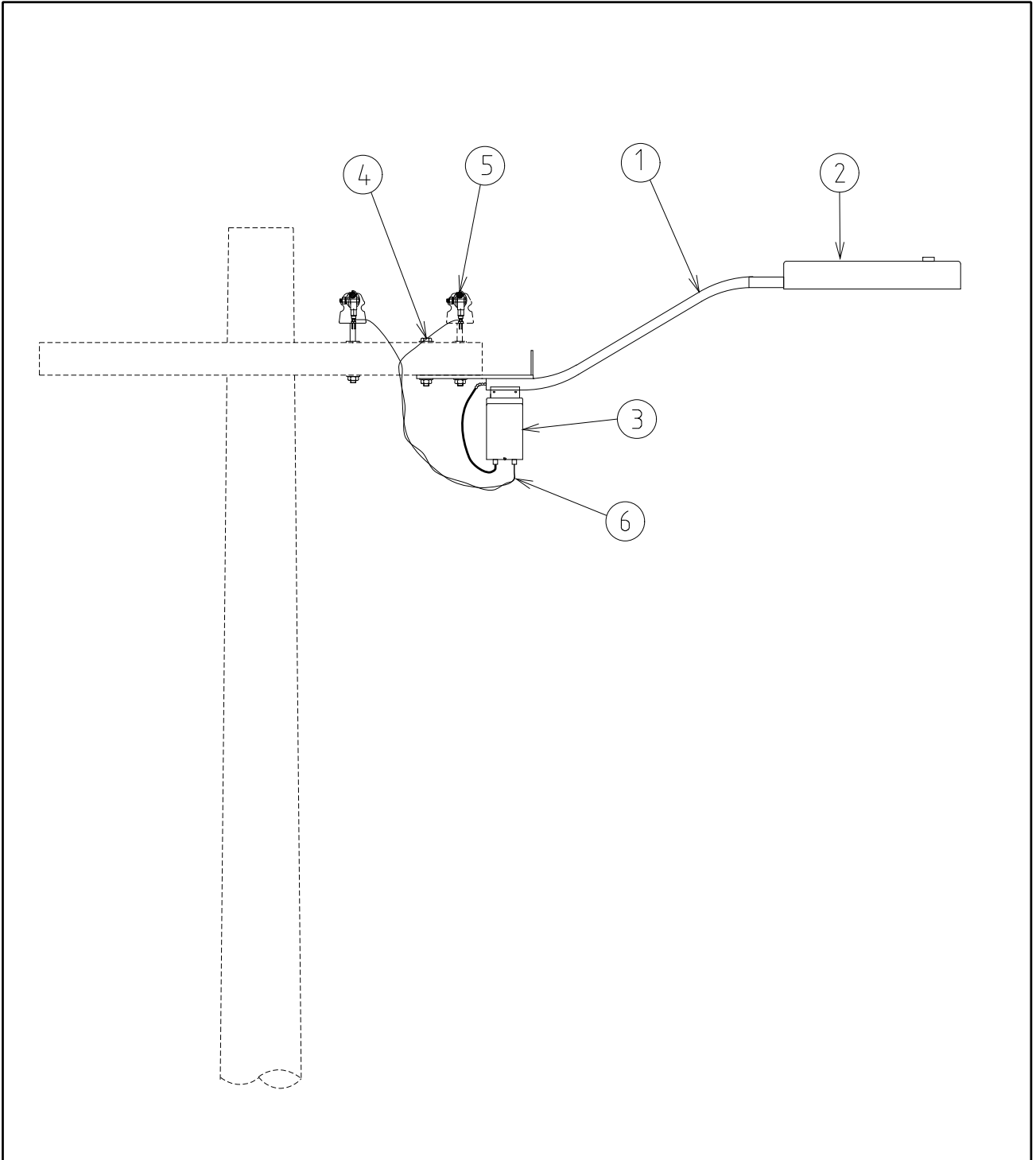
LED CU CLASSIFICATION

LIGHT INTENSITY		COLOUR TEMPERATURE	
LOW	1	4000K ³	L
MEDIUM	2, 3, 4	3000K	E
HIGH	5, 6		

NOTES:-

- SEE SL18 RANGE FOR SUITABLE ADAPTER BRACKET COMBINATIONS.
- ROADGRACE MODEL.
- 4000K NOT PREFERRED BUT AVAILABLE IF REQUESTED (WP STANDARD IS 3000K).

				COMPATIBLE UNIT			DISTRIBUTION DESIGN CATALOGUE			
				TITLE			DRAWN: JRR		DATE: 29-05-2018	
				STANDARD LUMINAIRE COMPARISION OF STOCK CODES			ORG. No.		SL-STD	
							ORIGINATED: REE		SCALE: NTS	
							CHECKED: JC		REV. J	
							APPROVED: GRANT STACY		SHT.	
REV	DATE	DESCRIPTION	ORGO.	CHKD.	APRD.					
J	17.01.24	TABLE REVISED, LEGEND ADDED & TITLE CHANGED	CB	ML	CO					
I	28.10.21	NOTE 2 ADDED	REE	CO	GS					
H	21.07.21	STOCK CODE HL3340, HL6140, HL6143 & HL6049 UPDATED	REE	CO	GS					



NOTES:-

1. IF ARTERIAL LIGHTING IS TO BE FITTED TO MINOR ROAD LAYOUT REFER TO SL18 FOR BRACKETS.
2. REMOVE MINOR ROAD LUMINAIRE AND REPLACE WITH ARTERIAL ROAD LUMINAIRE REQUIREMENT.

				COMPATIBLE UNIT		DISTRIBUTION DESIGN CATALOGUE			
				TITLE		DRAWN: JRR		DATE: 17-04-2014	
				MINOR ROAD WOOD OR CONCRETE POLE WITH CROSSARM		ORIGINATED:		SCALE: NTS	
						CHECKED: REE		DRG. No. SL02	
						APPROVED: GRANT STACY		REV. H	
REV	DATE	DESCRIPTION	DRG.	CHKD.	APRD.			SHT.	

CU	CU Description
-----------	-----------------------

Colour Temperature 4000K

SL2_1L Minor road Wood/conc. Pole with xarm _16W LED (equiv 42W CFL)					
ITEM NUMBER	STOCK CODE	DESCRIPTION	QTY REQD	UNIT OF MEASURE	REMARKS
1	CB0424	bracket	1		
2	HL6600	Luminaire with 8m cable	1		
2	HL5557	PE Cell	1		
3	GF1804	Fuse holder with no fuse	1		
3	GF0925	10amp fuse	1		
4	AB4567	12 dia bolt 150 long with nut	1		
5	FC0110	clamp alum. 16mm	2		_FC016* if copper main
6	EE1120	6mm copper xlpe	2	metre	

SL2_1L_MP Minor road Wood/conc. Pole with xarm _16W LED_menu price (equiv 42W CFL)					
ITEM NUMBER	STOCK CODE	DESCRIPTION	QTY REQD	UNIT OF MEASURE	REMARKS
1	CB0424	bracket	1		
2	HL6600	Luminaire with 8m cable	1		
2	HL5557	PE Cell	1		
3	GF1804	Fuse holder with no fuse	1		
3	GF0925	10amp fuse	1		
4	AB4567	12 dia bolt 150 long with nut	1		
5	FC0110	clamp alum. 16mm	2		_FC016* if copper main
6	EE1120	6mm copper xlpe	2	metre	

SL2_2L Minor road Wood/conc. Pole with xarm _53W LED (equiv 125W MV)					
ITEM NUMBER	STOCK CODE	DESCRIPTION	QTY REQD	UNIT OF MEASURE	REMARKS
1	CB0424	bracket	1		
2	HL6303	LED Luminaire with 8m cable	1		RoadGrace model
2	HL5557	PE Cell	1		
3	GF1804	Fuse holder with no fuse	1		
3	GF0925	10amp fuse	1		
4	AB4567	12 dia bolt 150 long with nut	1		
5	FC0110	clamp alum. 16mm	2		_FC016* if copper main
6	EE1120	6mm copper xlpe	2	metre	

CU	CU Description
-----------	-----------------------

SL2_2L_MP Minor road Wood/conc. Pole with xarm _53W LED menu price (equiv 125W MV)					
ITEM NUMBER	STOCK CODE	DESCRIPTION	QTY REQD	UNIT OF MEASURE	REMARKS
1	CB0424	bracket	1		
2	HL6303	LED Luminaire with 8m cable	1		RoadGrace model
2	HL5557	NEMA base PE Cell	1		
3	GF1804	Fuse holder with no fuse	1		
3	GF0925	10amp fuse	1		
4	AB4567	12 dia bolt 150 long with nut	1		
5	FC0110	clamp alum. 16mm	2		_FC016* if copper main
6	EE1120	6mm copper xlpe	2	metre	

SL2_3L Minor road Wood/conc. Pole with xarm _36W LED (equiv 70W MH & HPS)					
ITEM NUMBER	STOCK CODE	DESCRIPTION	QTY REQD	UNIT OF MEASURE	REMARKS
1	CB0424	bracket	1		
2	HL6306	Luminaire with 8m cable	1		RoadGrace model
2	HL5557	PE Cell	1		
3	GF1804	Fuse holder with no fuse	1		
3	GF0925	10amp fuse	1		
4	AB4567	12 dia bolt 150 long with nut	1		
5	FC0110	clamp alum. 16mm	2		_FC016* if copper main
6	EE1120	6mm copper xlpe	2	metre	

SL2_3L_MP Minor road Wood/conc. Pole with xarm _36W LED_menu_price (equiv 70W MH & HPS)					
ITEM NUMBER	STOCK CODE	DESCRIPTION	QTY REQD	UNIT OF MEASURE	REMARKS
1	CB0424	bracket	1		
2	HL6306	LED Luminaire with 8m cable	1		RoadGrace model
2	HL5557	NEMA base PE Cell	1		
3	GF1804	Fuse holder with no fuse	1		
3	GF0925	10amp fuse	1		
4	AB4567	12 dia bolt 150 long with nut	1		
5	FC0110	clamp alum. 16mm	2		_FC016* if copper main
6	EE1120	6mm copper xlpe	2	metre	

CU	CU Description
-----------	-----------------------

Colour Temperature 3000K

SL2_1E Minor road Wood/conc. Pole with xarm _16W LED (equiv 42W CFL)					
ITEM NUMBER	STOCK CODE	DESCRIPTION	QTY REQD	UNIT OF MEASURE	REMARKS
1	CB0424	bracket	1		
2	HL6601	Luminaire with 8m cable	1		
2	HL5557	PE Cell	1		
3	GF1804	Fuse holder with no fuse	1		
3	GF0925	10amp fuse	1		
4	AB4567	12 dia bolt 150 long with nut	1		
5	FC0110	clamp alum. 16mm	2		_FC016* if copper main
6	EE1120	6mm copper xlpe	2	metre	

SL2_1E_MP Minor road Wood/conc. Pole with xarm _16W LED_menu price (equiv 42W CFL)					
ITEM NUMBER	STOCK CODE	DESCRIPTION	QTY REQD	UNIT OF MEASURE	REMARKS
1	CB0424	bracket	1		
2	HL6601	Luminaire with 8m cable	1		
2	HL5557	PE Cell	1		
3	GF1804	Fuse holder with no fuse	1		
3	GF0925	10amp fuse	1		
4	AB4567	12 dia bolt 150 long with nut	1		
5	FC0110	clamp alum. 16mm	2		_FC016* if copper main
6	EE1120	6mm copper xlpe	2	metre	

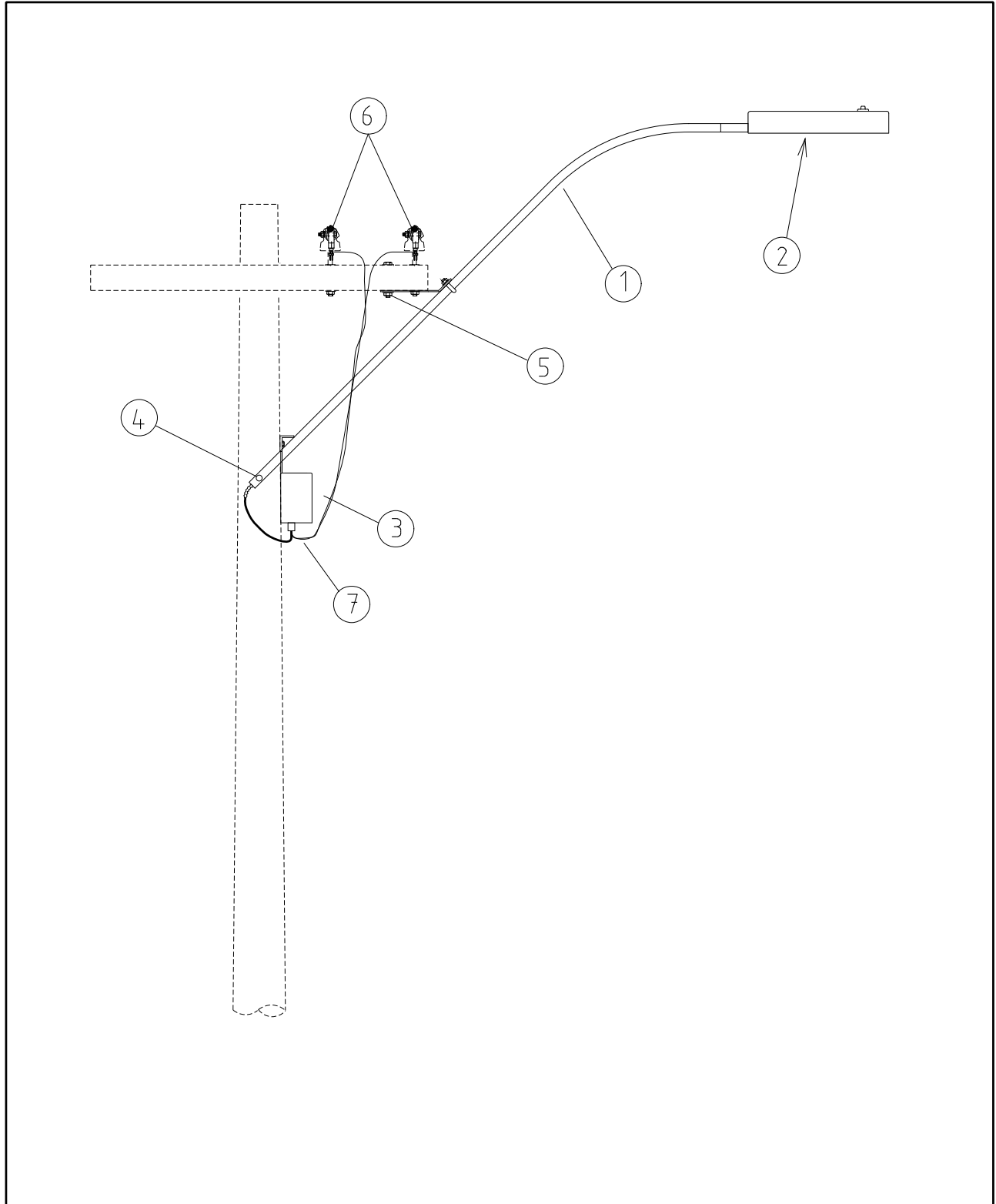
SL2_2E Minor road Wood/conc. Pole with xarm _43W LED (equiv 125W MV)					
ITEM NUMBER	STOCK CODE	DESCRIPTION	QTY REQD	UNIT OF MEASURE	REMARKS
1	CB0424	bracket	1		
2	HL6604	Luminaire with 8m cable	1		
2	HL5557	PE Cell	1		
3	GF1804	Fuse holder with no fuse	1		
3	GF0925	10amp fuse	1		
4	AB4567	12 dia bolt 150 long with nut	1		
5	FC0110	clamp alum. 16mm	2		_FC016* if copper main
6	EE1120	6mm copper xlpe	2	metre	

CU	CU Description
-----------	-----------------------

SL2_2E_MP Minor road Wood/conc. Pole with xarm _43W LED menu price (equiv 125W MV)					
ITEM NUMBER	STOCK CODE	DESCRIPTION	QTY REQD	UNIT OF MEASURE	REMARKS
1	CB0424	bracket	1		
2	HL6604	LED Luminaire with 8m cable	1		
2	HL5557	NEMA base PE Cell	1		
3	GF1804	Fuse holder with no fuse	1		
3	GF0925	10amp fuse	1		
4	AB4567	12 dia bolt 150 long with nut	1		
5	FC0110	clamp alum. 16mm	2		_FC016* if copper main
6	EE1120	6mm copper xlpe	2	metre	

SL2_3E Minor road Wood/conc. Pole with xarm _28W LED (equiv 70W MH & HPS)					
ITEM NUMBER	STOCK CODE	DESCRIPTION	QTY REQD	UNIT OF MEASURE	REMARKS
1	CB0424	bracket	1		
2	HL6607	Luminaire with 8m cable	1		
2	HL5557	PE Cell	1		
3	GF1804	Fuse holder with no fuse	1		
3	GF0925	10amp fuse	1		
4	AB4567	12 dia bolt 150 long with nut	1		
5	FC0110	clamp alum. 16mm	2		_FC016* if copper main
6	EE1120	6mm copper xlpe	2	metre	

SL2_3E_MP Minor road Wood/conc. Pole with xarm _28W LED_menu_price (equiv 70W MH & HPS)					
ITEM NUMBER	STOCK CODE	DESCRIPTION	QTY REQD	UNIT OF MEASURE	REMARKS
1	CB0424	bracket	1		
2	HL6607	LED Luminaire with 8m cable	1		
2	HL5557	NEMA base PE Cell	1		
3	GF1804	Fuse holder with no fuse	1		
3	GF0925	10amp fuse	1		
4	AB4567	12 dia bolt 150 long with nut	1		
5	FC0110	clamp alum. 16mm	2		_FC016* if copper main
6	EE1120	6mm copper xlpe	2	metre	



- NOTES:-
1. IF MINOR ROAD LIGHTING IS TO BE FITTED TO ARTERIAL ROAD LAYOUT REFER TO SL18 FOR BRACKETS.
 2. REMOVE ARTERIAL ROAD LUMINAIRE AND REPLACE WITH MINOR ROAD LUMINAIRE REQUIREMENT.

				COMPATIBLE UNIT		DISTRIBUTION DESIGN CATALOGUE		westernpower	
				TITLE		DRAWN: JRR DATE: 10-04-2014		DRG. No.	
				ARTERIAL ROAD WOOD POLE WITH CROSSARM		ORIGINATED: SCALE: NTS		SL03	
						CHECKED: REE		REV. G	
						APPROVED: GRANT STACY		SHT.	
REV	DATE	DESCRIPTION	ORGD	CHKD	APRD				
G	17.08.18	LED LUMINAIRE ADDED	REE	JC	FK				
F	01.12.09	ORIGINAL ISSUE							

CU	CU Description
-----------	-----------------------

Colour Temperature 4000K

SL3_4L Arterial road Wood pole with xarm_68W LED (equiv 150W HPS & MH)					
ITEM NUMBER	STOCK CODE	DESCRIPTION	QTY REQD	UNIT OF MEASURE	REMARKS
1	CB0278	bracket with nuts and bolts	1		
2	HL6609	LED Luminaire with 15m cable	1		
2	HL5557	NEMA base PE Cell	1		
3	GF1804	Fuse holder with no fuse	1		
3	GF0925	10amp fuse	1		
4	AB6736	Pole bolt M12x400	1		Cut to length
5	AB4567	M12x150 bolt with nut	1		
6	FC0110	clamp alum. 16mm	2		_FC016* if copper main
7	EE1120	6mm copper xlpe	2	metres	

SL3_4L_MP Arterial road Wood pole with xarm_68W LED menu price (equiv 150W HPS & MH)					
ITEM NUMBER	STOCK CODE	DESCRIPTION	QTY REQD	UNIT OF MEASURE	REMARKS
1	CB0278	bracket with nuts and bolts	1		
2	HL6609	LED Luminaire with 15m cable	1		
2	HL5557	NEMA base PE Cell	1		
3	GF1804	Fuse holder with no fuse	1		
3	GF0925	10amp fuse	1		
4	AB6736	Pole bolt M12x400	1		Cut to length
5	AB4567	M12x150 bolt with nut	1		
6	FC0110	clamp alum. 16mm	2		_FC016* if copper main
7	EE1120	6mm copper xlpe	2	metres	

SL3_5L Arterial road Wood pole with xarm_135W LED (equiv 250W MH)					
ITEM NUMBER	STOCK CODE	DESCRIPTION	QTY REQD	UNIT OF MEASURE	REMARKS
1	CB0278	bracket with nuts and bolts	1		
2	HL6612	LED Luminaire with 15m cable	1		
2	HL5557	NEMA base PE Cell	1		
3	GF1804	Fuse holder with no fuse	1		
3	GF0925	10amp fuse	1		
4	AB6736	Pole bolt M12x400	1		Cut to length
5	AB4567	M12x150 bolt with nut	1		
6	FC0110	clamp alum. 16mm	2		_FC016* if copper main
7	EE1120	6mm copper xlpe	2	metres	

CU	CU Description
-----------	-----------------------

SL3_5L_MP Arterial road Wood pole with xarm_135W LED menu price (equiv 250W MH)					
ITEM NUMBER	STOCK CODE	DESCRIPTION	QTY REQD	UNIT OF MEASURE	REMARKS
1	CB0278	bracket with nuts and bolts	1		
2	HL6612	LED Luminaire with 15m cable	1		
2	HL5557	NEMA base PE Cell	1		
3	GF1804	Fuse holder with no fuse	1		
3	GF0925	10amp fuse	1		
4	AB6736	Pole bolt M12x400	1		Cut to length
5	AB4567	M12x150 bolt with nut	1		
6	FC0110	clamp alum. 16mm	2		_FC016* if copper main
7	EE1120	6mm copper xlpe	2	metres	

SL3_6L Arterial road Wood pole with xarm_170W LED (equiv 250W HPS)					
ITEM NUMBER	STOCK CODE	DESCRIPTION	QTY REQD	UNIT OF MEASURE	REMARKS
1	CB0278	bracket with nuts and bolts	1		
2	HL6315	LED Luminaire with 15m cable	1		
2	HL5557	NEMA base PE Cell	1		
3	GF1804	Fuse holder with no fuse	1		
3	GF0925	10amp fuse	1		
4	AB6736	Pole bolt M12x400	1		Cut to length
5	AB4567	M12x150 bolt with nut	1		
6	FC0110	clamp alum. 16mm	2		_FC016* if copper main
7	EE1120	6mm copper xlpe	2	metres	

SL3_6L_MP Arterial road Wood pole with xarm_170W LED menu price (equiv 250W HPS)					
ITEM NUMBER	STOCK CODE	DESCRIPTION	QTY REQD	UNIT OF MEASURE	REMARKS
1	CB0278	bracket with nuts and bolts	1		
2	HL6315	LED Luminaire with 15m cable	1		
2	HL5557	NEMA base PE Cell	1		
3	GF1804	Fuse holder with no fuse	1		
3	GF0925	10amp fuse	1		
4	AB6736	Pole bolt M12x400	1		Cut to length
5	AB4567	M12x150 bolt with nut	1		
6	FC0110	clamp alum. 16mm	2		_FC016* if copper main
7	EE1120	6mm copper xlpe	2	metres	

CU	CU Description
-----------	-----------------------

Colour Temperature 3000K

SL3_4E Arterial road Wood pole with xarm_70W LED (equiv 150W HPS & MH)					
ITEM NUMBER	STOCK CODE	DESCRIPTION	QTY REQD	UNIT OF MEASURE	REMARKS
1	CB0278	bracket with nuts and bolts	1		
2	HL6610	LED Luminaire with 15m cable	1		
2	HL5557	NEMA base PE Cell	1		
3	GF1804	Fuse holder with no fuse	1		
3	GF0925	10amp fuse	1		
4	AB6736	Pole bolt M12x400	1		Cut to length
5	AB4567	M12x150 bolt with nut	1		
6	FC0110	clamp alum. 16mm	2		_FC016* if copper main
7	EE1120	6mm copper xlpe	2	metres	

SL3_4E_MP Arterial road Wood pole with xarm_70W LED menu price (equiv 150W HPS & MH)					
ITEM NUMBER	STOCK CODE	DESCRIPTION	QTY REQD	UNIT OF MEASURE	REMARKS
1	CB0278	bracket with nuts and bolts	1		
2	HL6610	LED Luminaire with 15m cable	1		
2	HL5557	NEMA base PE Cell	1		
3	GF1804	Fuse holder with no fuse	1		
3	GF0925	10amp fuse	1		
4	AB6736	Pole bolt M12x400	1		Cut to length
5	AB4567	M12x150 bolt with nut	1		
6	FC0110	clamp alum. 16mm	2		_FC016* if copper main
7	EE1120	6mm copper xlpe	2	metres	

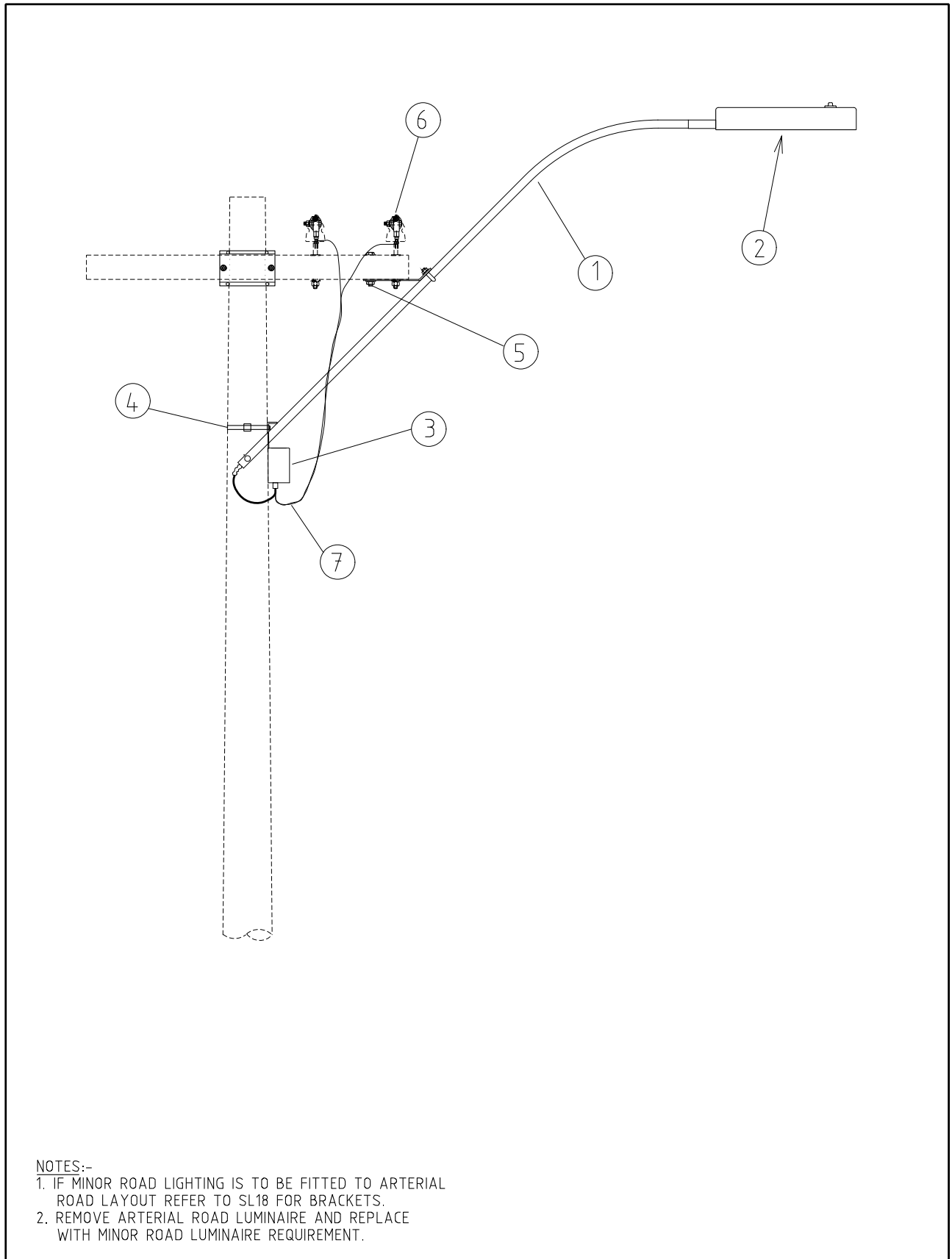
SL3_5E Arterial road Wood pole with xarm_160W LED (equiv 250W MH)					
ITEM NUMBER	STOCK CODE	DESCRIPTION	QTY REQD	UNIT OF MEASURE	REMARKS
1	CB0278	bracket with nuts and bolts	1		
2	HL6313	LED Luminaire with 15m cable	1		
2	HL5557	NEMA base PE Cell	1		
3	GF1804	Fuse holder with no fuse	1		
3	GF0925	10amp fuse	1		
4	AB6736	Pole bolt M12x400	1		Cut to length
5	AB4567	M12x150 bolt with nut	1		
6	FC0110	clamp alum. 16mm	2		_FC016* if copper main
7	EE1120	6mm copper xlpe	2	metres	

CU	CU Description
-----------	-----------------------

SL3_5E_MP Arterial road Wood pole with xarm_160W LED menu price (equiv 250W MH)					
ITEM NUMBER	STOCK CODE	DESCRIPTION	QTY REQD	UNIT OF MEASURE	REMARKS
1	CB0278	bracket with nuts and bolts	1		
2	HL6313	LED Luminaire with 15m cable	1		
2	HL5557	NEMA base PE Cell	1		
3	GF1804	Fuse holder with no fuse	1		
3	GF0925	10amp fuse	1		
4	AB6736	Pole bolt M12x400	1		Cut to length
5	AB4567	M12x150 bolt with nut	1		
6	FC0110	clamp alum. 16mm	2		_FC016* if copper main
7	EE1120	6mm copper xlpe	2	metres	

SL3_6E Arterial road Wood pole with xarm_165W LED (equiv 250W HPS)					
ITEM NUMBER	STOCK CODE	DESCRIPTION	QTY REQD	UNIT OF MEASURE	REMARKS
1	CB0278	bracket with nuts and bolts	1		
2	HL6616	LED Luminaire with 15m cable	1		
2	HL5557	NEMA base PE Cell	1		
3	GF1804	Fuse holder with no fuse	1		
3	GF0925	10amp fuse	1		
4	AB6736	Pole bolt M12x400	1		Cut to length
5	AB4567	M12x150 bolt with nut	1		
6	FC0110	clamp alum. 16mm	2		_FC016* if copper main
7	EE1120	6mm copper xlpe	2	metres	

SL3_6E_MP Arterial road Wood pole with xarm_165W LED menu price (equiv 250W HPS)					
ITEM NUMBER	STOCK CODE	DESCRIPTION	QTY REQD	UNIT OF MEASURE	REMARKS
1	CB0278	bracket with nuts and bolts	1		
2	HL6616	LED Luminaire with 15m cable	1		
2	HL5557	NEMA base PE Cell	1		
3	GF1804	Fuse holder with no fuse	1		
3	GF0925	10amp fuse	1		
4	AB6736	Pole bolt M12x400	1		Cut to length
5	AB4567	M12x150 bolt with nut	1		
6	FC0110	clamp alum. 16mm	2		_FC016* if copper main
7	EE1120	6mm copper xlpe	2	metres	



NOTES:-

1. IF MINOR ROAD LIGHTING IS TO BE FITTED TO ARTERIAL ROAD LAYOUT REFER TO SL18 FOR BRACKETS.
2. REMOVE ARTERIAL ROAD LUMINAIRE AND REPLACE WITH MINOR ROAD LUMINAIRE REQUIREMENT.

				COMPATIBLE UNIT		DISTRIBUTION DESIGN CATALOGUE			
				TITLE		DRAWN: JRR DATE: 10-04-2014		DRG. No.	
				ARTERIAL ROAD CONCRETE POLE WITH CROSSARM		ORIGINATED: SCALE: NTS		SL05	
						CHECKED: REE		REV. E	
						APPROVED: GRANT STACY		SHT.	
REV	DATE	DESCRIPTION	ORGD	CHKD	APRD				
E	17.08.18	LED LUMINAIRE ADDED	REE	JC	FK				
D	01.12.09	ORIGINAL ISSUE							

CU	CU Description
-----------	-----------------------

Colour Temperature 4000K

SL5_4L Arterial road concrete poles with xarm_68W LED (equiv 150W HPS & MH)					
ITEM NUMBER	STOCK CODE	DESCRIPTION	QTY REQD	UNIT OF MEASURE	REMARKS
1	CB0278	bracket with nuts and bolts	1		
2	HL6609	LED Luminaire with 15m cable	1		
2	HL5557	NEMA base PE Cell	1		
3	GF1804	Fuse holder with no fuse	1		
3	GF0925	10amp fuse	1		
4	CB0287	mounting bracket concrete pole	1		
5	AB4567	12 dia bolt 150 long with nut	1		
6	FC0110	clamp alum. 16mm	2		_FC016* if copper main
7	EE1120	6mm copper xlpe	2	metres	

SL5_4L_MP Arterial road concrete pole with xarm_68W LED menu price (equiv 150W HPS & MH)					
ITEM NUMBER	STOCK CODE	DESCRIPTION	QTY REQD	UNIT OF MEASURE	REMARKS
1	CB0278	bracket with nuts and bolts	1		
2	HL6609	LED Luminaire with 15m cable	1		
2	HL5557	NEMA base PE Cell	1		
3	GF1804	Fuse holder with no fuse	1		
3	GF0925	10amp fuse	1		
4	CB0287	mounting bracket concrete pole	1		
5	AB4567	12 dia bolt 150 long with nut	1		
6	FC0110	clamp alum. 16mm	2		_FC016* if copper main
7	EE1120	6mm copper xlpe	2	metres	

SL5_5L Arterial road concrete pole with xarm_135W LED (equiv 250W MH)					
ITEM NUMBER	STOCK CODE	DESCRIPTION	QTY REQD	UNIT OF MEASURE	REMARKS
1	CB0278	bracket with nuts and bolts	1		
2	HL6612	LED Luminaire with 15m cable	1		
2	HL5557	NEMA base PE Cell	1		
3	GF1804	Fuse holder with no fuse	1		
3	GF0925	10amp fuse	1		
4	CB0287	mounting bracket concrete pole	1		
5	AB4567	12 dia bolt 150 long with nut	1		
6	FC0110	clamp alum. 16mm	2		_FC016* if copper main
7	EE1120	6mm copper xlpe	2	metres	

CU	CU Description
-----------	-----------------------

SL5_5L_MP Arterial road concrete pole with xarm_135W LED menu price (equiv 250W MH)					
ITEM NUMBER	STOCK CODE	DESCRIPTION	QTY REQD	UNIT OF MEASURE	REMARKS
1	CB0278	bracket with nuts and bolts	1		
2	HL6612	LED Luminaire with 15m cable	1		
2	HL5557	NEMA base PE Cell	1		
3	GF1804	Fuse holder with no fuse	1		
3	GF0925	10amp fuse	1		
4	CB0287	mounting bracket concrete pole	1		
5	AB4567	12 dia bolt 150 long with nut	1		
6	FC0110	clamp alum. 16mm	2		_FC016* if copper main
7	EE1120	6mm copper xlpe	2	metres	

SL5_6L Arterial road concrete pole with xarm_170W LED (equiv 250W HPS)					
ITEM NUMBER	STOCK CODE	DESCRIPTION	QTY REQD	UNIT OF MEASURE	REMARKS
1	CB0278	bracket with nuts and bolts	1		
2	HL6315	LED Luminaire with 15m cable	1		
2	HL5557	NEMA base PE Cell	1		
3	GF1804	Fuse holder with no fuse	1		
3	GF0925	10amp fuse	1		
4	CB0287	mounting bracket concrete pole	1		
5	AB4567	12 dia bolt 150 long with nut	1		
6	FC0110	clamp alum. 16mm	2		_FC016* if copper main
7	EE1120	6mm copper xlpe	2	metres	

SL5_6L_MP Arterial road concrete pole with xarm_170W LED menu price (equiv 250W HPS)					
ITEM NUMBER	STOCK CODE	DESCRIPTION	QTY REQD	UNIT OF MEASURE	REMARKS
1	CB0278	bracket with nuts and bolts	1		
2	HL6315	LED Luminaire with 15m cable	1		
2	HL5557	NEMA base PE Cell	1		
3	GF1804	Fuse holder with no fuse	1		
3	GF0925	10amp fuse	1		
4	CB0287	mounting bracket concrete pole	1		
5	AB4567	12 dia bolt 150 long with nut	1		
6	FC0110	clamp alum. 16mm	2		_FC016* if copper main
7	EE1120	6mm copper xlpe	2	metres	

CU	CU Description
-----------	-----------------------

Colour Temperature 3000K

SL5_4E Arterial road concrete poles with xarm_70W LED (equiv 150W HPS & MH)					
ITEM NUMBER	STOCK CODE	DESCRIPTION	QTY REQD	UNIT OF MEASURE	REMARKS
1	CB0278	bracket with nuts and bolts	1		
2	HL6610	LED Luminaire with 15m cable	1		
2	HL5557	NEMA base PE Cell	1		
3	GF1804	Fuse holder with no fuse	1		
3	GF0925	10amp fuse	1		
4	CB0287	mounting bracket concrete pole	1		
5	AB4567	12 dia bolt 150 long with nut	1		
6	FC0110	clamp alum. 16mm	2		_FC016* if copper main
7	EE1120	6mm copper xlpe	2	metres	

SL5_4E_MP Arterial road concrete pole with xarm_70W LED menu price (equiv 150W HPS & MH)					
ITEM NUMBER	STOCK CODE	DESCRIPTION	QTY REQD	UNIT OF MEASURE	REMARKS
1	CB0278	bracket with nuts and bolts	1		
2	HL6610	LED Luminaire with 15m cable	1		
2	HL5557	NEMA base PE Cell	1		
3	GF1804	Fuse holder with no fuse	1		
3	GF0925	10amp fuse	1		
4	CB0287	mounting bracket concrete pole	1		
5	AB4567	12 dia bolt 150 long with nut	1		
6	FC0110	clamp alum. 16mm	2		FC016* if copper main
7	EE1120	6mm copper xlpe	2	metres	

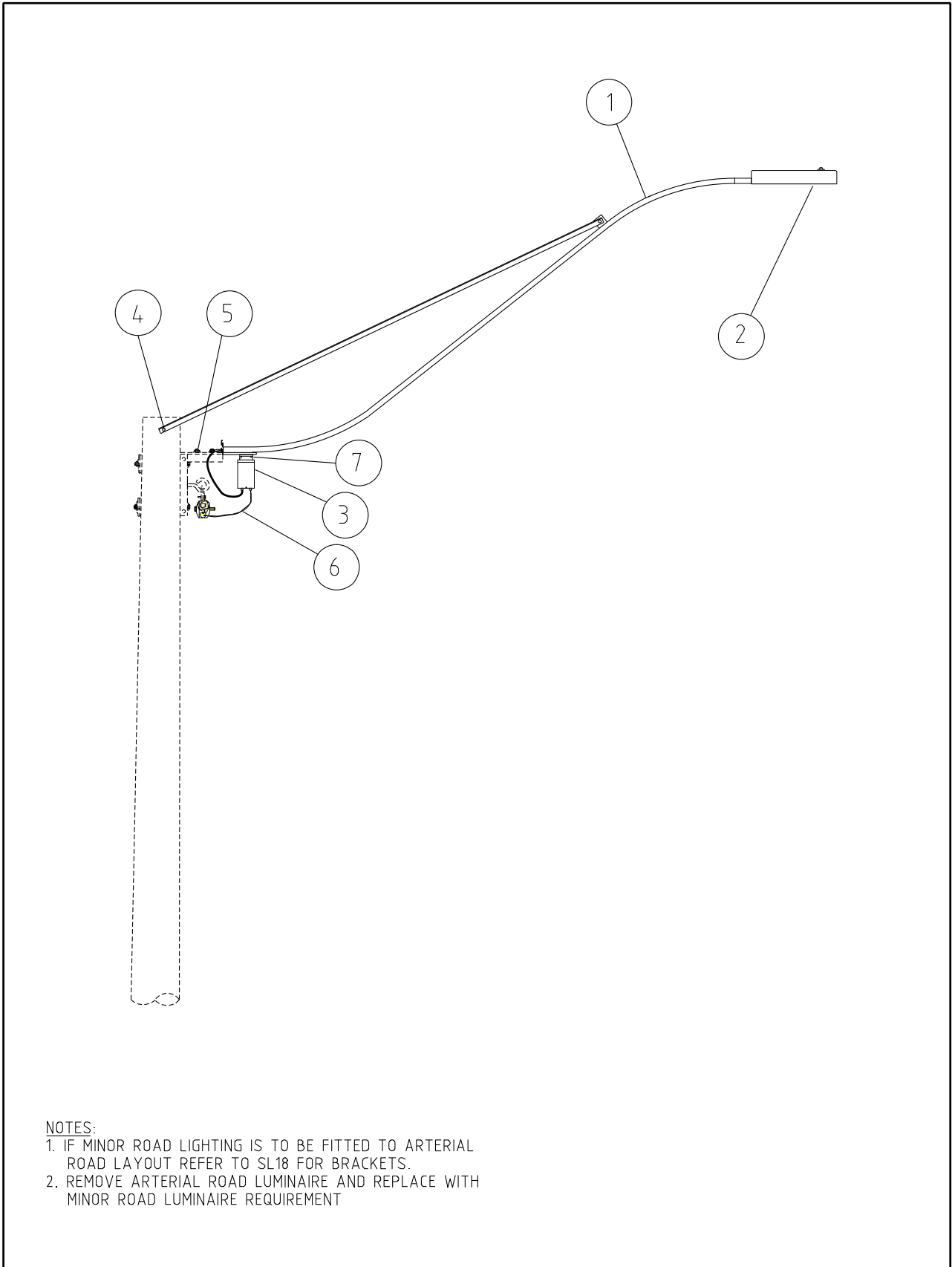
SL5_5E Arterial road concrete pole with xarm_160W LED (equiv 250W MH)					
ITEM NUMBER	STOCK CODE	DESCRIPTION	QTY REQD	UNIT OF MEASURE	REMARKS
1	CB0278	bracket with nuts and bolts	1		
2	HL6313	LED Luminaire with 15m cable	1		
2	HL5557	NEMA base PE Cell	1		
3	GF1804	Fuse holder with no fuse	1		
3	GF0925	10amp fuse	1		
4	CB0287	mounting bracket concrete pole	1		
5	AB4567	12 dia bolt 150 long with nut	1		
6	FC0110	clamp alum. 16mm	2		FC016* if copper main
7	EE1120	6mm copper xlpe	2	metres	

CU	CU Description
-----------	-----------------------

SL5_5E_MP Arterial road concrete pole with xarm_160W LED menu price (equiv 250W MH)					
ITEM NUMBER	STOCK CODE	DESCRIPTION	QTY REQD	UNIT OF MEASURE	REMARKS
1	CB0278	bracket with nuts and bolts	1		
2	HL6313	LED Luminaire with 15m cable	1		
2	HL5557	NEMA base PE Cell	1		
3	GF1804	Fuse holder with no fuse	1		
3	GF0925	10amp fuse	1		
4	CB0287	mounting bracket concrete pole	1		
5	AB4567	12 dia bolt 150 long with nut	1		
6	FC0110	clamp alum. 16mm	2		FC016* if copper main
7	EE1120	6mm copper xlpe	2	metres	

SL5_6E Arterial road concrete pole with xarm_165W LED (equiv 250W HPS)					
ITEM NUMBER	STOCK CODE	DESCRIPTION	QTY REQD	UNIT OF MEASURE	REMARKS
1	CB0278	bracket with nuts and bolts	1		
2	HL6616	LED Luminaire with 15m cable	1		
2	HL5557	NEMA base PE Cell	1		
3	GF1804	Fuse holder with no fuse	1		
3	GF0925	10amp fuse	1		
4	CB0287	mounting bracket concrete pole	1		
5	AB4567	12 dia bolt 150 long with nut	1		
6	FC0110	clamp alum. 16mm	2		FC016* if copper main
7	EE1120	6mm copper xlpe	2	metres	

SL5_6E_MP Arterial road concrete pole with xarm_165W LED menu price (equiv 250W HPS)					
ITEM NUMBER	STOCK CODE	DESCRIPTION	QTY REQD	UNIT OF MEASURE	REMARKS
1	CB0278	bracket with nuts and bolts	1		
2	HL6616	LED Luminaire with 15m cable	1		
2	HL5557	NEMA base PE Cell	1		
3	GF1804	Fuse holder with no fuse	1		
3	GF0925	10amp fuse	1		
4	CB0287	mounting bracket concrete pole	1		
5	AB4567	12 dia bolt 150 long with nut	1		
6	FC0110	clamp alum. 16mm	2		FC016* if copper main
7	EE1120	6mm copper xlpe	2	metres	



NOTES:

1. IF MINOR ROAD LIGHTING IS TO BE FITTED TO ARTERIAL ROAD LAYOUT REFER TO SL18 FOR BRACKETS.
2. REMOVE ARTERIAL ROAD LUMINAIRE AND REPLACE WITH MINOR ROAD LUMINAIRE REQUIREMENT

				COMPATIBLE UNIT			DISTRIBUTION DESIGN CATALOGUE			
				TITLE			DRAWN: JRR		DATE: 17-04-2014	
				ARTERIAL ROAD FOR ABC			ORIGINATED:		SCALE: NTS	
							CHECKED: REE		DRG. No. SL06	
							APPROVED: GRANT STACY		REV. H	
REV	DATE	DESCRIPTION	DRGD	CHKD	APRD					
H	13.09.22	ITEM 7 ADDED	DB	NMK	GS					
G	17.08.18	LED LUMINAIRE ADDED	REE	JC	FK					
F	24.08.16	ITEM No. 5 ADDED	CO	REE	GS					
E	01.12.09	ORIGINAL ISSUE								

CU	CU Description
-----------	-----------------------

Colour Temperature 4000K

SL6_4L Arterial road LVABC_68W LED (equiv 150W HPS & MH)					
ITEM NUMBER	STOCK CODE	DESCRIPTION	QTY REQD	UNIT OF MEASURE	REMARKS
1	CB0430	bracket with nuts and bolts	1		
2	HL6609	LED Luminaire with 15m cable	1		
2	HL5557	NEMA base PE Cell	1		
3	GF1804	Fuse holder with no fuse	1		
3	GF0925	10amp fuse	1		
4	AB6736	Pole bolt M12x400	1		Cut to length
5	AB2956	Set screw M12x25mm	2		
6	EE1120	6mm copper xlpe	1	metres	
7	AB2860	Set screw M8x25mm	2		
7	AW2416	Washer, spring 8mm	2		
7	AW3521	Washer, flat 8mm	2		
7	AN1491	Nut, hex M8	2		

SL6_4L_MP Arterial road LVABC_68W LED menu price (equiv 150W HPS & MH)					
ITEM NUMBER	STOCK CODE	DESCRIPTION	QTY REQD	UNIT OF MEASURE	REMARKS
1	CB0430	bracket with nuts and bolts	1		
2	HL6609	LED Luminaire with 15m cable	1		
2	HL5557	NEMA base PE Cell	1		
3	GF1804	Fuse holder with no fuse	1		
3	GF0925	10amp fuse	1		
4	AB6736	Pole bolt M12x400	1		Cut to length
5	AB2956	Set screw M12x25mm	2		
6	EE1120	6mm copper xlpe	1	metres	
7	AB2860	Set screw M8x25mm	2		
7	AW2416	Washer, spring 8mm	2		
7	AW3521	Washer, flat 8mm	2		
7	AN1491	Nut, hex M8	2		

CU	CU Description
-----------	-----------------------

SL6_5L Arterial road LVABC_135W LED (equiv 250W MH)					
ITEM NUMBER	STOCK CODE	DESCRIPTION	QTY REQD	UNIT OF MEASURE	REMARKS
1	CB0430	bracket with nuts and bolts	1		
2	HL6612	LED Luminaire with 15m cable	1		
2	HL5557	NEMA base PE Cell	1		
3	GF1804	Fuse holder with no fuse	1		
3	GF0925	10amp fuse	1		
4	AB6736	Pole bolt M12x400	1		Cut to length
5	AB2956	Set screw M12x25mm	2		
6	EE1120	6mm copper xlpe	1	metres	
7	AB2860	Set screw M8x25mm	2		
7	AW2416	Washer, spring 8mm	2		
7	AW3521	Washer, flat 8mm	2		
7	AN1491	Nut, hex M8	2		

SL6_5L_MP Arterial road LVABC_135W LED menu price (equiv 250W MH)					
ITEM NUMBER	STOCK CODE	DESCRIPTION	QTY REQD	UNIT OF MEASURE	REMARKS
1	CB0430	bracket with nuts and bolts	1		
2	HL6612	LED Luminaire with 15m cable	1		
2	HL5557	NEMA base PE Cell	1		
3	GF1804	Fuse holder with no fuse	1		
3	GF0925	10amp fuse	1		
4	AB6736	Pole bolt M12x400	1		Cut to length
5	AB2956	Set screw M12x25mm	2		
6	EE1120	6mm copper xlpe	1	metres	
7	AB2860	Set screw M8x25mm	2		
7	AW2416	Washer, spring 8mm	2		
7	AW3521	Washer, flat 8mm	2		
7	AN1491	Nut, hex M8	2		

CU	CU Description
-----------	-----------------------

SL6_6L Arterial road LVABC_170W LED (equiv 250W HPS)					
ITEM NUMBER	STOCK CODE	DESCRIPTION	QTY REQD	UNIT OF MEASURE	REMARKS
1	CB0430	bracket with nuts and bolts	1		
2	HL6315	LED Luminaire with 15m cable	1		
2	HL5557	NEMA base PE Cell	1		
3	GF1804	Fuse holder with no fuse	1		
3	GF0925	10amp fuse	1		
4	AB6736	Pole bolt M12x400	1		Cut to length
5	AB2956	Set screw M12x25mm	2		
6	EE1120	6mm copper xlpe	1	metres	
7	AB2860	Set screw M8x25mm	2		
7	AW2416	Washer, spring 8mm	2		
7	AW3521	Washer, flat 8mm	2		
7	AN1491	Nut, hex M8	2		

SL6_6L_MP Arterial road LVABC_170W LED menu price (equiv 250W HPS)					
ITEM NUMBER	STOCK CODE	DESCRIPTION	QTY REQD	UNIT OF MEASURE	REMARKS
1	CB0430	bracket with nuts and bolts	1		
2	HL6315	LED Luminaire with 15m cable	1		
2	HL5557	NEMA base PE Cell	1		
3	GF1804	Fuse holder with no fuse	1		
3	GF0925	10amp fuse	1		
4	AB6736	Pole bolt M12x400	1		Cut to length
5	AB2956	Set screw M12x25mm	2		
6	EE1120	6mm copper xlpe	1	metres	
7	AB2860	Set screw M8x25mm	2		
7	AW2416	Washer, spring 8mm	2		
7	AW3521	Washer, flat 8mm	2		
7	AN1491	Nut, hex M8	2		

CU	CU Description
----	----------------

Colour Temperature 3000K

SL6_4E Arterial road LVABC_70W LED (equiv 150W HPS & MH)					
ITEM NUMBER	STOCK CODE	DESCRIPTION	QTY REQD	UNIT OF MEASURE	REMARKS
1	CB0430	bracket with nuts and bolts	1		
2	HL6610	LED Luminaire with 15m cable	1		
2	HL5557	NEMA base PE Cell	1		
3	GF1804	Fuse holder with no fuse	1		
3	GF0925	10amp fuse	1		
4	AB6736	Pole bolt M12x400	1		Cut to length
5	AB2956	Set screw M12x25mm	2		
6	EE1120	6mm copper xlpe	1	metres	
7	AB2860	Set screw M8x25mm	2		
7	AW2416	Washer, spring 8mm	2		
7	AW3521	Washer, flat 8mm	2		
7	AN1491	Nut, hex M8	2		

SL6_4E_MP Arterial road LVABC_70W LED menu price (equiv 150W HPS & MH)					
ITEM NUMBER	STOCK CODE	DESCRIPTION	QTY REQD	UNIT OF MEASURE	REMARKS
1	CB0430	bracket with nuts and bolts	1		
2	HL6610	LED Luminaire with 15m cable	1		
2	HL5557	NEMA base PE Cell	1		
3	GF1804	Fuse holder with no fuse	1		
3	GF0925	10amp fuse	1		
4	AB6736	Pole bolt M12x400	1		Cut to length
5	AB2956	Set screw M12x25mm	2		
6	EE1120	6mm copper xlpe	1	metres	
7	AB2860	Set screw M8x25mm	2		
7	AW2416	Washer, spring 8mm	2		
7	AW3521	Washer, flat 8mm	2		
7	AN1491	Nut, hex M8	2		

CU	CU Description
-----------	-----------------------

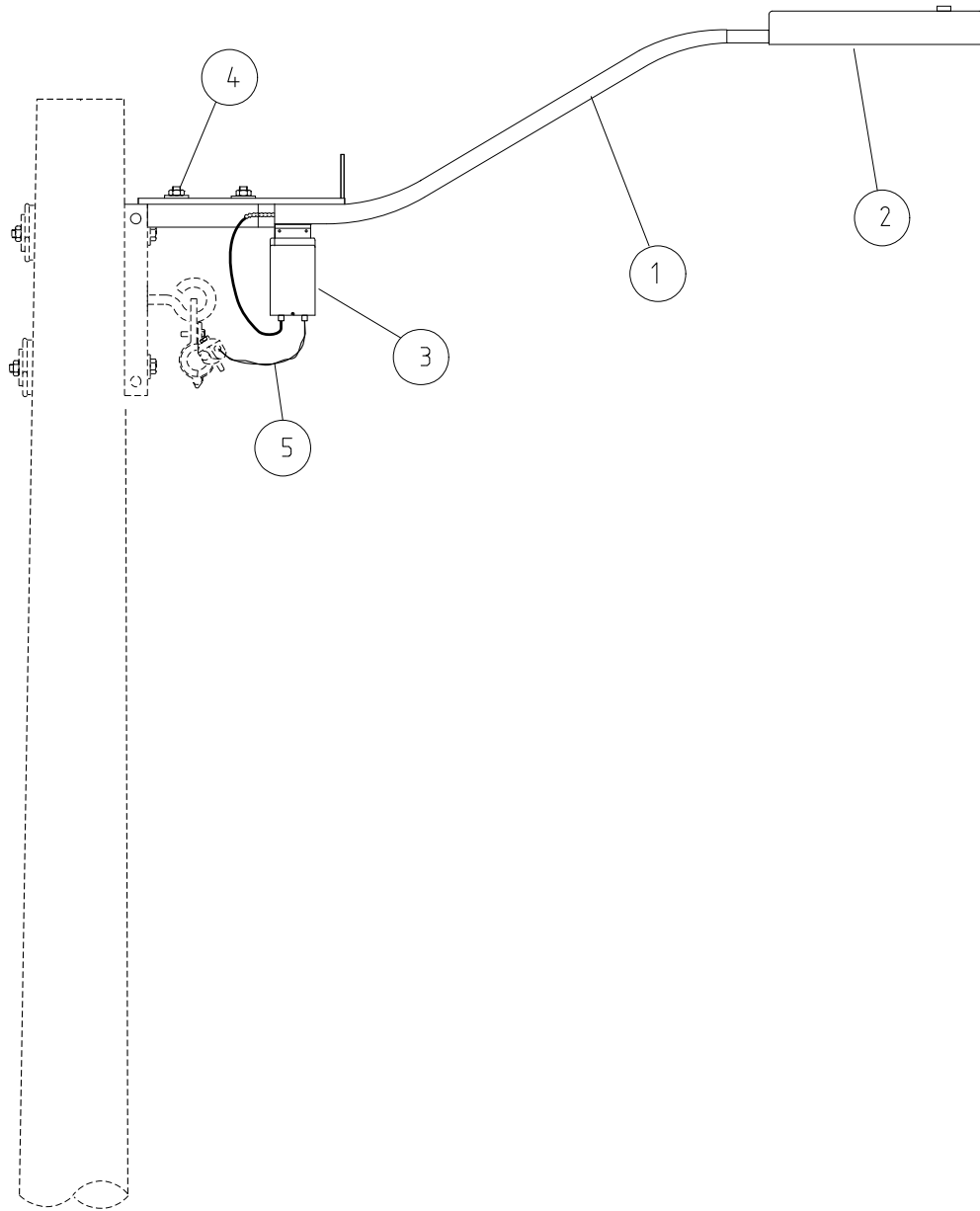
SL6_5E Arterial road LVABC_160W LED (equiv 250W MH)					
ITEM NUMBER	STOCK CODE	DESCRIPTION	QTY REQD	UNIT OF MEASURE	REMARKS
1	CB0430	bracket with nuts and bolts	1		
2	HL6313	LED Luminaire with 15m cable	1		
2	HL5557	NEMA base PE Cell	1		
3	GF1804	Fuse holder with no fuse	1		
3	GF0925	10amp fuse	1		
4	AB6736	Pole bolt M12x400	1		Cut to length
5	AB2956	Set screw M12x25mm	2		
6	EE1120	6mm copper xlpe	1	metres	
7	AB2860	Set screw M8x25mm	2		
7	AW2416	Washer, spring 8mm	2		
7	AW3521	Washer, flat 8mm	2		
7	AN1491	Nut, hex M8	2		

SL6_5E_MP Arterial road LVABC_160W LED menu price (equiv 250W MH)					
ITEM NUMBER	STOCK CODE	DESCRIPTION	QTY REQD	UNIT OF MEASURE	REMARKS
1	CB0430	bracket with nuts and bolts	1		
2	HL6313	LED Luminaire with 15m cable	1		
2	HL5557	NEMA base PE Cell	1		
3	GF1804	Fuse holder with no fuse	1		
3	GF0925	10amp fuse	1		
4	AB6736	Pole bolt M12x400	1		Cut to length
5	AB2956	Set screw M12x25mm	2		
6	EE1120	6mm copper xlpe	1	metres	
7	AB2860	Set screw M8x25mm	2		
7	AW2416	Washer, spring 8mm	2		
7	AW3521	Washer, flat 8mm	2		
7	AN1491	Nut, hex M8	2		

CU	CU Description
-----------	-----------------------

SL6_6E Arterial road LVABC_165W LED (equiv 250W HPS)					
ITEM NUMBER	STOCK CODE	DESCRIPTION	QTY REQD	UNIT OF MEASURE	REMARKS
1	CB0430	bracket with nuts and bolts	1		
2	HL6616	LED Luminaire with 15m cable	1		
2	HL5557	NEMA base PE Cell	1		
3	GF1804	Fuse holder with no fuse	1		
3	GF0925	10amp fuse	1		
4	AB6736	Pole bolt M12x400	1		Cut to length
5	AB2956	Set screw M12x25mm	2		
6	EE1120	6mm copper xlpe	1	metres	
7	AB2860	Set screw M8x25mm	2		
7	AW2416	Washer, spring 8mm	2		
7	AW3521	Washer, flat 8mm	2		
7	AN1491	Nut, hex M8	2		

SL6_6E_MP Arterial road LVABC_165W LED menu price (equiv 250W HPS)					
ITEM NUMBER	STOCK CODE	DESCRIPTION	QTY REQD	UNIT OF MEASURE	REMARKS
1	CB0430	bracket with nuts and bolts	1		
2	HL6616	LED Luminaire with 15m cable	1		
2	HL5557	NEMA base PE Cell	1		
3	GF1804	Fuse holder with no fuse	1		
3	GF0925	10amp fuse	1		
4	AB6736	Pole bolt M12x400	1		Cut to length
5	AB2956	Set screw M12x25mm	2		
6	EE1120	6mm copper xlpe	1	metres	
7	AB2860	Set screw M8x25mm	2		
7	AW2416	Washer, spring 8mm	2		
7	AW3521	Washer, flat 8mm	2		
7	AN1491	Nut, hex M8	2		



NOTES:-

1. IF ARTERIAL LIGHTING IS TO BE FITTED TO MINOR ROAD LAYOUT REFER TO SL18 FOR BRACKETS.
2. REMOVE MINOR ROAD LUMINAIRE AND REPLACE WITH ARTERIAL ROAD LUMINAIRE REQUIREMENT.

					COMPATIBLE UNIT		DISTRIBUTION DESIGN CATALOGUE					
					TITLE		DRAWN: JRR		DATE: 17-04-2014		DRG. No.	
					MINOR ROAD FOR ABC		ORIGINATED: REE		SCALE: NTS		SL07	
							CHECKED: REE				REV. G	
							APPROVED: GRANT STACY				SHT.	
REV	DATE	DESCRIPTION	ORGO.	CHKD.	APRD.							
G	21.07.21	LED LUMINAIRE SHAPE CHANGED	REE	CO	GS							
F	17.08.18	LED LUMINAIRE ADDED	REE	JC	GS							
E	03.10.14	FORMAT CHANGED	JC	REE	GS							
D	04.04.12	ORIGINAL ISSUE										

CU	CU Description
-----------	-----------------------

Colour Temperature 4000K

SL7_1L Minor Road LVABC_16W LED (equiv 42W CFL)					
ITEM NUMBER	STOCK CODE	DESCRIPTION	QTY REQD	UNIT OF MEASURE	REMARKS
1	CB0424	bracket	1		
2	HL6600	LED Luminaire with 8m cable	1		
2	HL5557	NEMA base PE Cell	1		
3	GF1804	Fuse holder with no fuse	1		
3	GF0925	10amp fuse	1		
4	AB2956	Set screw M12*25mm	2		
5	EE1120	6mm copper xlpe	2	metres	

SL7_1L_MP Minor Road LVABC_16W LED menu price (equiv 42W CFL)					
ITEM NUMBER	STOCK CODE	DESCRIPTION	QTY REQD	UNIT OF MEASURE	REMARKS
1	CB0424	bracket	1		
2	HL6600	LED Luminaire with 8m cable	1		
2	HL5557	NEMA base PE Cell	1		
3	GF1804	Fuse holder with no fuse	1		
3	GF0925	10amp fuse	1		
4	AB2956	Set screw M12*25mm	2		
5	EE1120	6mm copper xlpe	2	metres	

SL7_2L Minor Road LVABC_53W LED (equiv 125W MV)					
ITEM NUMBER	STOCK CODE	DESCRIPTION	QTY REQD	UNIT OF MEASURE	REMARKS
1	CB0424	bracket	1		
2	HL6303	LED Luminaire with 8m cable	1		RoadGrace model
2	HL5557	NEMA base PE Cell	1		
3	GF1804	Fuse holder with no fuse	1		
3	GF0925	10amp fuse	1		
4	AB2956	Set screw M12*25mm	2		
5	EE1120	6mm copper xlpe	2	metres	

SL7_2L_MP Minor Road LVABC_53W LED menu price (equiv 125W MV)					
ITEM NUMBER	STOCK CODE	DESCRIPTION	QTY REQD	UNIT OF MEASURE	REMARKS
1	CB0424	bracket	1		
2	HL6303	LED Luminaire with 8m cable	1		RoadGrace model
2	HL5557	NEMA base PE Cell	1		
3	GF1804	Fuse holder with no fuse	1		
3	GF0925	10amp fuse	1		
4	AB2956	Set screw M12*25mm	2		
5	EE1120	6mm copper xlpe	2	metres	

CU	CU Description
-----------	-----------------------

SL7_3L Minor Road LVABC_36W LED (equiv 70W MH & HPS)					
ITEM NUMBER	STOCK CODE	DESCRIPTION	QTY REQD	UNIT OF MEASURE	REMARKS
1	CB0424	bracket	1		
2	HL6306	LED Luminaire with 8m cable	1		RoadGrace model
2	HL5557	NEMA base PE Cell	1		
3	GF1804	Fuse holder with no fuse	1		
3	GF0925	10amp fuse	1		
4	AB2956	Set screw M12*25mm	2		
5	EE1120	6mm copper xlpe	2	metres	

SL7_3L_MP Minor Road LVABC_36W LED menu price (equiv 70W MH & HPS)					
ITEM NUMBER	STOCK CODE	DESCRIPTION	QTY REQD	UNIT OF MEASURE	REMARKS
1	CB0424	bracket	1		
2	HL6306	LED Luminaire with 8m cable	1		RoadGrace model
2	HL5557	NEMA base PE Cell	1		
3	GF1804	Fuse holder with no fuse	1		
3	GF0925	10amp fuse	1		
4	AB2956	Set screw M12*25mm	2		
5	EE1120	6mm copper xlpe	2	metres	

Colour Temperature 3000K

SL7_1E Minor Road LVABC_16W LED (equiv 42W CFL)					
ITEM NUMBER	STOCK CODE	DESCRIPTION	QTY REQD	UNIT OF MEASURE	REMARKS
1	CB0424	bracket	1		
2	HL6601	LED Luminaire with 8m cable	1		
2	HL5557	NEMA base PE Cell	1		
3	GF1804	Fuse holder with no fuse	1		
3	GF0925	10amp fuse	1		
4	AB2956	Set screw M12*25mm	2		
5	EE1120	6mm copper xlpe	2	metres	

SL7_1E_MP Minor Road LVABC_16W LED menu price (equiv 42W CFL)					
ITEM NUMBER	STOCK CODE	DESCRIPTION	QTY REQD	UNIT OF MEASURE	REMARKS
1	CB0424	bracket	1		
2	HL6601	LED Luminaire with 8m cable	1		
2	HL5557	NEMA base PE Cell	1		
3	GF1804	Fuse holder with no fuse	1		
3	GF0925	10amp fuse	1		
4	AB2956	Set screw M12*25mm	2		
5	EE1120	6mm copper xlpe	2	metres	

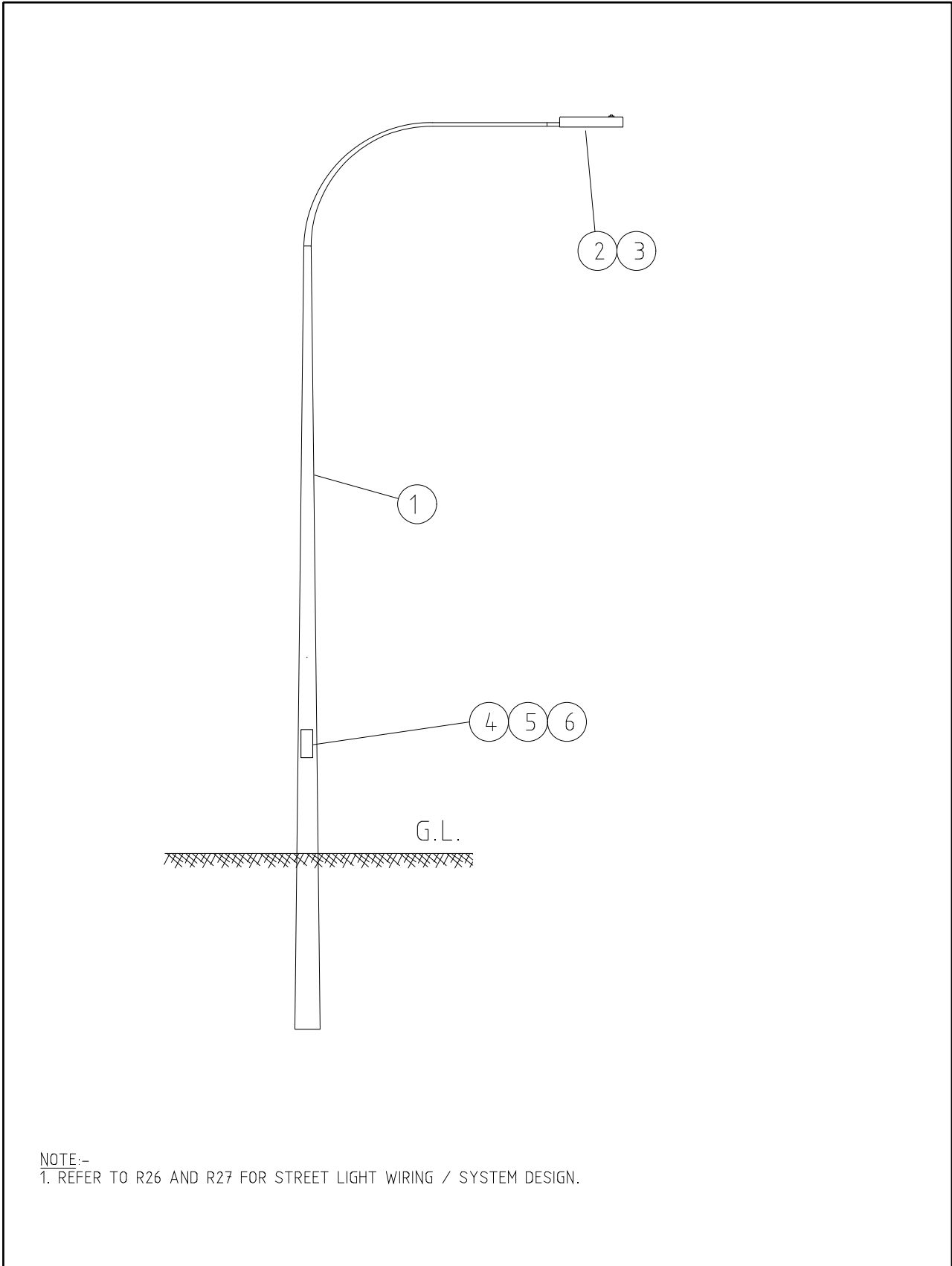
CU	CU Description
-----------	-----------------------

SL7_2E Minor Road LVABC_43W LED (equiv 125W MV)					
ITEM NUMBER	STOCK CODE	DESCRIPTION	QTY REQD	UNIT OF MEASURE	REMARKS
1	CB0424	bracket	1		
2	HL6604	LED Luminaire with 8m cable	1		
2	HL5557	NEMA base PE Cell	1		
3	GF1804	Fuse holder with no fuse	1		
3	GF0925	10amp fuse	1		
4	AB2956	Set screw M12*25mm	2		
5	EE1120	6mm copper xlpe	2	metres	

SL7_2E_MP Minor Road LVABC_43W LED menu price (equiv 125W MV)					
ITEM NUMBER	STOCK CODE	DESCRIPTION	QTY REQD	UNIT OF MEASURE	REMARKS
1	CB0424	bracket	1		
2	HL6604	LED Luminaire with 8m cable	1		
2	HL5557	NEMA base PE Cell	1		
3	GF1804	Fuse holder with no fuse	1		
3	GF0925	10amp fuse	1		
4	AB2956	Set screw M12*25mm	2		
5	EE1120	6mm copper xlpe	2	metres	

SL7_3E Minor Road LVABC_28W LED (equiv 70W MH & HPS)					
ITEM NUMBER	STOCK CODE	DESCRIPTION	QTY REQD	UNIT OF MEASURE	REMARKS
1	CB0424	bracket	1		
2	HL6607	LED Luminaire with 8m cable	1		
2	HL5557	NEMA base PE Cell	1		
3	GF1804	Fuse holder with no fuse	1		
3	GF0925	10amp fuse	1		
4	AB2956	Set screw M12*25mm	2		
5	EE1120	6mm copper xlpe	2	metres	

SL7_3E_MP Minor Road LVABC_28W LED menu price (equiv 70W MH & HPS)					
ITEM NUMBER	STOCK CODE	DESCRIPTION	QTY REQD	UNIT OF MEASURE	REMARKS
1	CB0424	bracket	1		
2	HL6607	LED Luminaire with 8m cable	1		
2	HL5557	NEMA base PE Cell	1		
3	GF1804	Fuse holder with no fuse	1		
3	GF0925	10amp fuse	1		
4	AB2956	Set screw M12*25mm	2		
5	EE1120	6mm copper xlpe	2	metres	



NOTE:-
1. REFER TO R26 AND R27 FOR STREET LIGHT WIRING / SYSTEM DESIGN.

				COMPATIBLE UNIT			DISTRIBUTION DESIGN CATALOGUE			
				TITLE			DRAWN: JRR		DATE: 17-04-2014	
				SINGLE OUTREACH STEEL STANDARD - 6.5M			ORIGINATED: REE		SCALE: NTS	
							CHECKED: REE		DRG. No. SL08	
							APPROVED: GRANT STACY		REV. F	
REV	DATE	DESCRIPTION	ORGD	CHKD	APRD			SHT.		
F	24.06.20	ITEM 6 (INZ0135) ADDED	CO	REE	GS					
E	17.08.18	LED LUMINAIRE ADDED	REE	JC	FK					
D	04.04.12	ORIGINAL ISSUE								

CU	CU Description
-----------	-----------------------

Colour Temperature 4000K

SL8_1L Single outreach steel standard 6.5m_16W LED (equiv 42W CFL)					
ITEM NUMBER	STOCK CODE	DESCRIPTION	QTY REQD	UNIT OF MEASURE	REMARKS
1	CW0255	6.5m SL steel pole, metal galvanised	1		
2	HL6600	LED Luminaire with 8m cable	1		
3	HL5557	NEMA base PE Cell	1		
4	HZ0131	SL fuse cut-out	1		
5	GF1300	fuse cartridge 10 amp	1		
6	HZ0135	Cut-out mounting bracket	1		

SL8_2L Single outreach steel standard 6.5m_53W LED (equiv 125W MV)					
ITEM NUMBER	STOCK CODE	DESCRIPTION	QTY REQD	UNIT OF MEASURE	REMARKS
1	CW0255	6.5m SL steel pole, metal galvanised	1		
2	HL6303	LED Luminaire with 8m cable	1		RoadGrace model
3	HL5557	NEMA base PE Cell	1		
4	HZ0131	SL fuse cut-out	1		
5	GF1300	fuse cartridge 10 amp	1		
6	HZ0135	Cut-out mounting bracket	1		

SL8_3L Single outreach steel standard 6.5m_36W LED (equiv 70W MH & HPS)					
ITEM NUMBER	STOCK CODE	DESCRIPTION	QTY REQD	UNIT OF MEASURE	REMARKS
1	CW0255	6.5m SL steel pole, metal galvanised	1		
2	HL6306	LED Luminaire with 8m cable	1		RoadGrace model
3	HL5557	NEMA base PE Cell	1		
4	HZ0131	SL fuse cut-out	1		
5	GF1300	fuse cartridge 10 amp	1		
6	HZ0135	Cut-out mounting bracket	1		

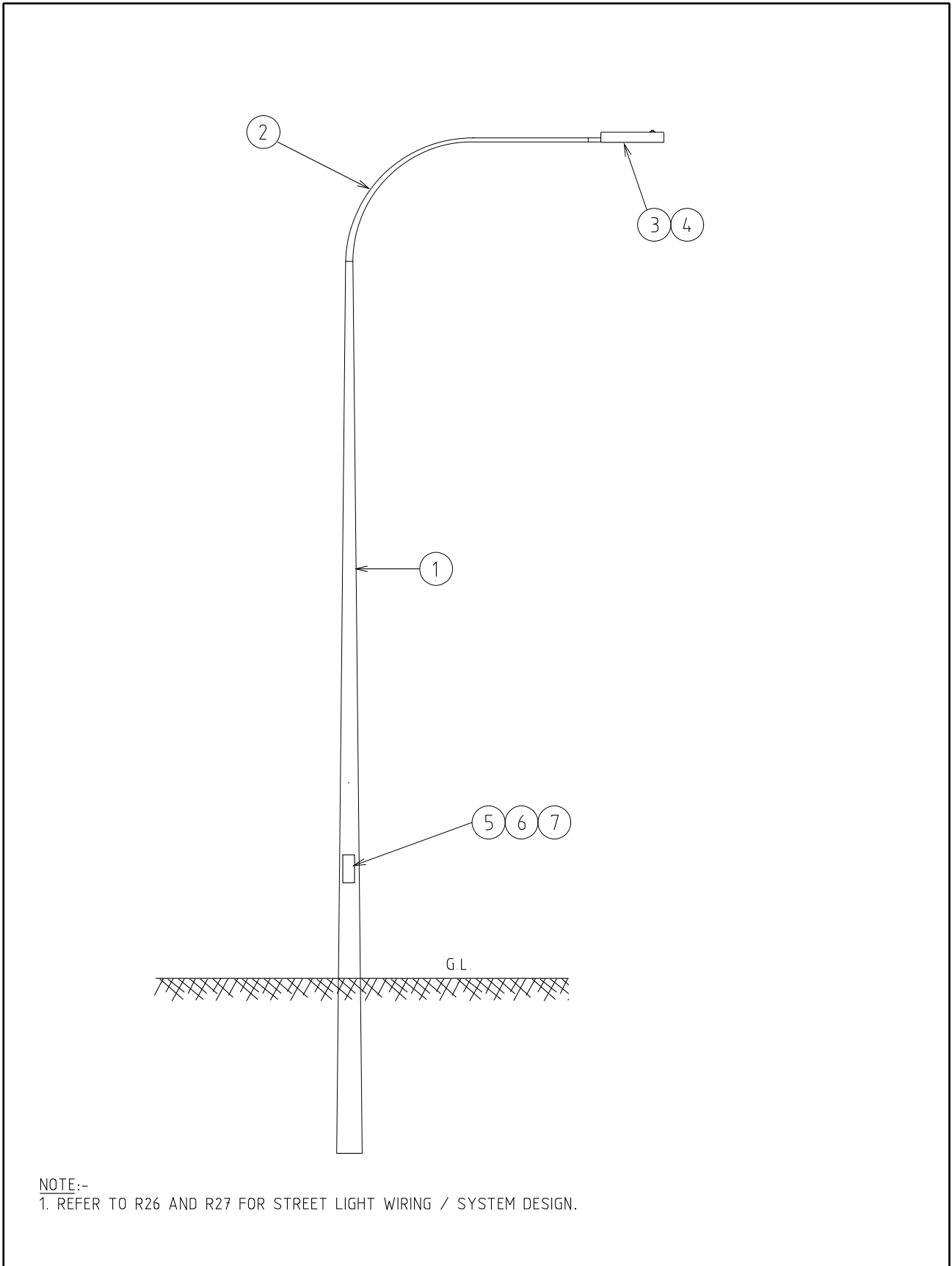
Colour Temperature 3000K

SL8_1E Single outreach steel standard 6.5m_16W LED (equiv 42W CFL)					
ITEM NUMBER	STOCK CODE	DESCRIPTION	QTY REQD	UNIT OF MEASURE	REMARKS
1	CW0255	6.5m SL steel pole, metal galvanised	1		
2	HL6601	LED Luminaire with 8m cable	1		
3	HL5557	NEMA base PE Cell	1		
4	HZ0131	SL fuse cut-out	1		
5	GF1300	fuse cartridge 10 amp	1		
6	HZ0135	Cut-out mounting bracket	1		

CU	CU Description
-----------	-----------------------

SL8_2E Single outreach steel standard 6.5m_43W LED (equiv 125W MV)					
ITEM NUMBER	STOCK CODE	DESCRIPTION	QTY REQD	UNIT OF MEASURE	REMARKS
1	CW0255	6.5m SL steel pole, metal galvanised	1		
2	HL6604	LED Luminaire with 8m cable	1		
3	HL5557	NEMA base PE Cell	1		
4	HZ0131	SL fuse cut-out	1		
5	GF1300	fuse cartridge 10 amp	1		
6	HZ0135	Cut-out mounting bracket	1		

SL8_3E Single outreach steel standard 6.5m_28W LED (equiv 70W MH & HPS)					
ITEM NUMBER	STOCK CODE	DESCRIPTION	QTY REQD	UNIT OF MEASURE	REMARKS
1	CW0255	6.5m SL steel pole, metal galvanised	1		
2	HL6607	LED Luminaire with 8m cable	1		
3	HL5557	NEMA base PE Cell	1		
4	HZ0131	SL fuse cut-out	1		
5	GF1300	fuse cartridge 10 amp	1		
6	HZ0135	Cut-out mounting bracket	1		



NOTE:-
1. REFER TO R26 AND R27 FOR STREET LIGHT WIRING / SYSTEM DESIGN.

				COMPATIBLE UNIT			DISTRIBUTION DESIGN CATALOGUE		westernpower	
				TITLE			DRAWN: JRR		DATE: 17-04-2014	
				SINGLE OUTREACH STEEL STANDARD - 10.5M			ORIGINATED:		SCALE: NTS	
							CHECKED: REE		DRG. No. SL09	
							APPROVED:		REV. SHT.	
							GRANT STACY		1	
REV	DATE	DESCRIPTION	ORGD.	CHKD.	APRD.					
I	24.06.20	ITEM 7 (HZ0135) ADDED	CO	REE	GS					
H	17.09.18	NOTE REVISED AND LED LUMINAIRE ADDED	REE	JC	FK					
G	01.12.09	ORIGINAL ISSUE								

CU	CU Description
-----------	-----------------------

Colour Temperature 4000K

SL9_4L Single outreach steel standard 10.5m_68W LED (equiv 150W HPS & MH)					
ITEM NUMBER	STOCK CODE	DESCRIPTION	QTY REQD	UNIT OF MEASURE	REMARKS
1	CW0275	10.5m SL steel pole, metal galvanised	1		
2	CW0278	single outreach arm	1		
3	HL6609	LED Luminaire with 15m cable	1		
4	HL5557	NEMA base PE Cell	1		
5	GF1300	fuse cartridge 10 amp	1		
6	HZ0131	SL fuse cut-out	1		
7	HZ0135	Cut-out mounting bracket	1		

SL9_5L Single outreach steel standard 10.5m_135W LED (equiv 250W MH)					
ITEM NUMBER	STOCK CODE	DESCRIPTION	QTY REQD	UNIT OF MEASURE	REMARKS
1	CW0275	10.5m SL steel pole, metal galvanised	1		
2	CW0278	single outreach arm	1		
3	HL6612	LED Luminaire with 15m cable	1		
4	HL5557	NEMA base PE Cell	1		
5	GF1300	fuse cartridge 10 amp	1		
6	HZ0131	SL fuse cut-out	1		
7	HZ0135	Cut-out mounting bracket	1		

SL9_6L Single outreach steel standard 10.5m_170W LED (equiv 250W HPS)					
ITEM NUMBER	STOCK CODE	DESCRIPTION	QTY REQD	UNIT OF MEASURE	REMARKS
1	CW0275	10.5m SL steel pole, metal galvanised	1		
2	CW0278	single outreach arm	1		
3	HL6315	LED Luminaire with 15m cable	1		
4	HL5557	NEMA base PE Cell	1		
5	GF1300	fuse cartridge 10 amp	1		
6	HZ0131	SL fuse cut-out	1		
7	HZ0135	Cut-out mounting bracket	1		

CU	CU Description
-----------	-----------------------

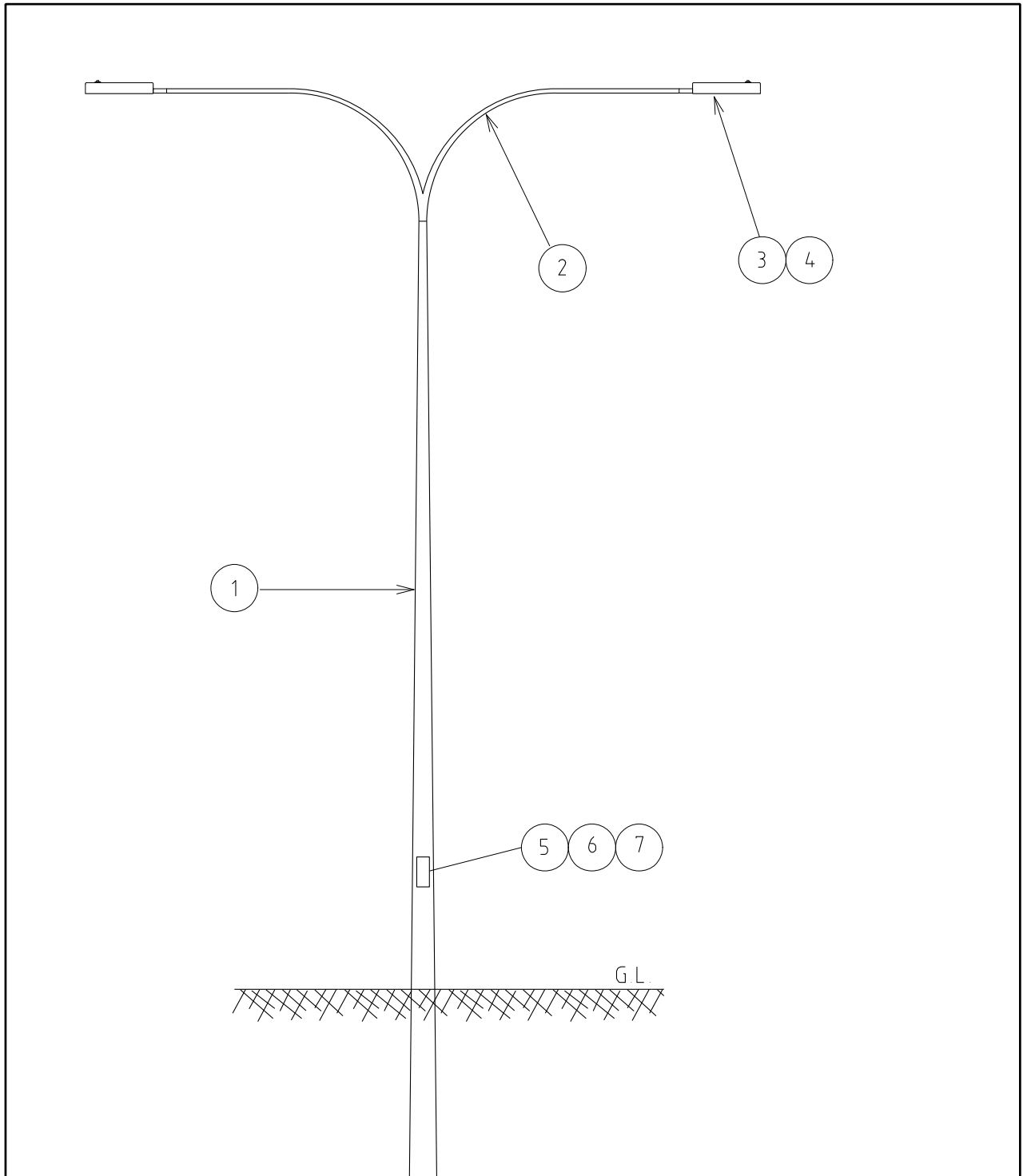
Colour Temperature 3000K

SL9_2E Single outreach steel standard 10.5m_43W LED (equiv 125W MV)					
ITEM NUMBER	STOCK CODE	DESCRIPTION	QTY REQD	UNIT OF MEASURE	REMARKS
1	CW0275	10.5m SL steel pole, metal galvanised	1		
2	CW0278	single outreach arm	1		
3	HL6605	LED Luminaire with 15m cable	1		
4	HL5557	NEMA base PE Cell	1		
5	GF1300	fuse cartridge 10 amp	1		
6	HZ0131	SL fuse cut-out	1		
7	HZ0135	Cut-out mounting bracket	1		

SL9_4E Single outreach steel standard 10.5m_70W LED (equiv 150W HPS & MH)					
ITEM NUMBER	STOCK CODE	DESCRIPTION	QTY REQD	UNIT OF MEASURE	REMARKS
1	CW0275	10.5m SL steel pole, metal galvanised	1		
2	CW0278	single outreach arm	1		
3	HL6610	LED Luminaire with 15m cable	1		
4	HL5557	NEMA base PE Cell	1		
5	GF1300	fuse cartridge 10 amp	1		
6	HZ0131	SL fuse cut-out	1		
7	HZ0135	Cut-out mounting bracket	1		

SL9_5E Single outreach steel standard 10.5m_160W LED (equiv 250W MH)					
ITEM NUMBER	STOCK CODE	DESCRIPTION	QTY REQD	UNIT OF MEASURE	REMARKS
1	CW0275	10.5m SL steel pole, metal galvanised	1		
2	CW0278	single outreach arm	1		
3	HL6313	LED Luminaire with 15m cable	1		
4	HL5557	NEMA base PE Cell	1		
5	GF1300	fuse cartridge 10 amp	1		
6	HZ0131	SL fuse cut-out	1		
7	HZ0135	Cut-out mounting bracket	1		

SL9_6E Single outreach steel standard 10.5m_165W LED (equiv 250W HPS)					
ITEM NUMBER	STOCK CODE	DESCRIPTION	QTY REQD	UNIT OF MEASURE	REMARKS
1	CW0275	10.5m SL steel pole, metal galvanised	1		
2	CW0278	single outreach arm	1		
3	HL6616	LED Luminaire with 15m cable	1		
4	HL5557	NEMA base PE Cell	1		
5	GF1300	fuse cartridge 10 amp	1		
6	HZ0131	SL fuse cut-out	1		
7	HZ0135	Cut-out mounting bracket	1		



NOTE:-
1. REFER TO R26 AND R27 FOR STREET LIGHT WIRING / SYSTEM DESIGN.

				COMPATIBLE UNIT			DISTRIBUTION DESIGN CATALOGUE			
				TITLE			DRAWN: JRR		DATE: 17-04-2014	
				DOUBLE OUTREACH STEEL STANDARD - 10.5M			ORIGINATED:		SCALE: NTS	
							CHECKED: REE		DRG. No. SL10	
							APPROVED: GRANT STACY		REV. SHT.	
REV	DATE	DESCRIPTION	DRG.	CHKD.	APRD.					
I	24.06.20	ITEM 7 (HZ0135) ADDED	CO	REE	GS					
H	17.08.18	NOTE REVISED AND LED ADDED	REE	JC	FK					
G	17.03.06	ORIGINAL ISSUE								

CU	CU Description
-----------	-----------------------

Colour Temperature 4000K

SL10_4L Double outreach steel standard 10.5m 68W LED (equiv 150W HPS & MH)					
ITEM NUMBER	STOCK CODE	DESCRIPTION	QTY REQD	UNIT OF MEASURE	REMARKS
1	CW0275	Pole 10.5m	1		
2	CW0279	double outreach arm	1		
3	HL6609	LED Luminaire with 15m cable	2		
4	HL5557	NEMA base PE Cell	2		
5	GF1300	fuse cartridge 10 amp	2		
6	HZ0131	SL fuse cut-out	1		
7	HZ0135	Cut-out mounting bracket	1		

SL10_5L Double outreach steel standard 10.5m 135W LED (equiv 250W MH)					
ITEM NUMBER	STOCK CODE	DESCRIPTION	QTY REQD	UNIT OF MEASURE	REMARKS
1	CW0275	Pole 10.5m	1		
2	CW0279	double outreach arm	1		
3	HL6612	LED Luminaire with 15m cable	2		
4	HL5557	NEMA base PE Cell	2		
5	GF1300	fuse cartridge 10 amp	2		
6	HZ0131	SL fuse cut-out	1		
7	HZ0135	Cut-out mounting bracket	1		

SL10_6L Double outreach steel standard 10.5m 170W LED (equiv 250W HPS)					
ITEM NUMBER	STOCK CODE	DESCRIPTION	QTY REQD	UNIT OF MEASURE	REMARKS
1	CW0275	Pole 10.5m	1		
2	CW0279	double outreach arm	1		
3	HL6315	LED Luminaire with 15m cable	2		
4	HL5557	NEMA base PE Cell	2		
5	GF1300	fuse cartridge 10 amp	2		
6	HZ0131	SL fuse cut-out	1		
7	HZ0135	Cut-out mounting bracket	1		

CU	CU Description
-----------	-----------------------

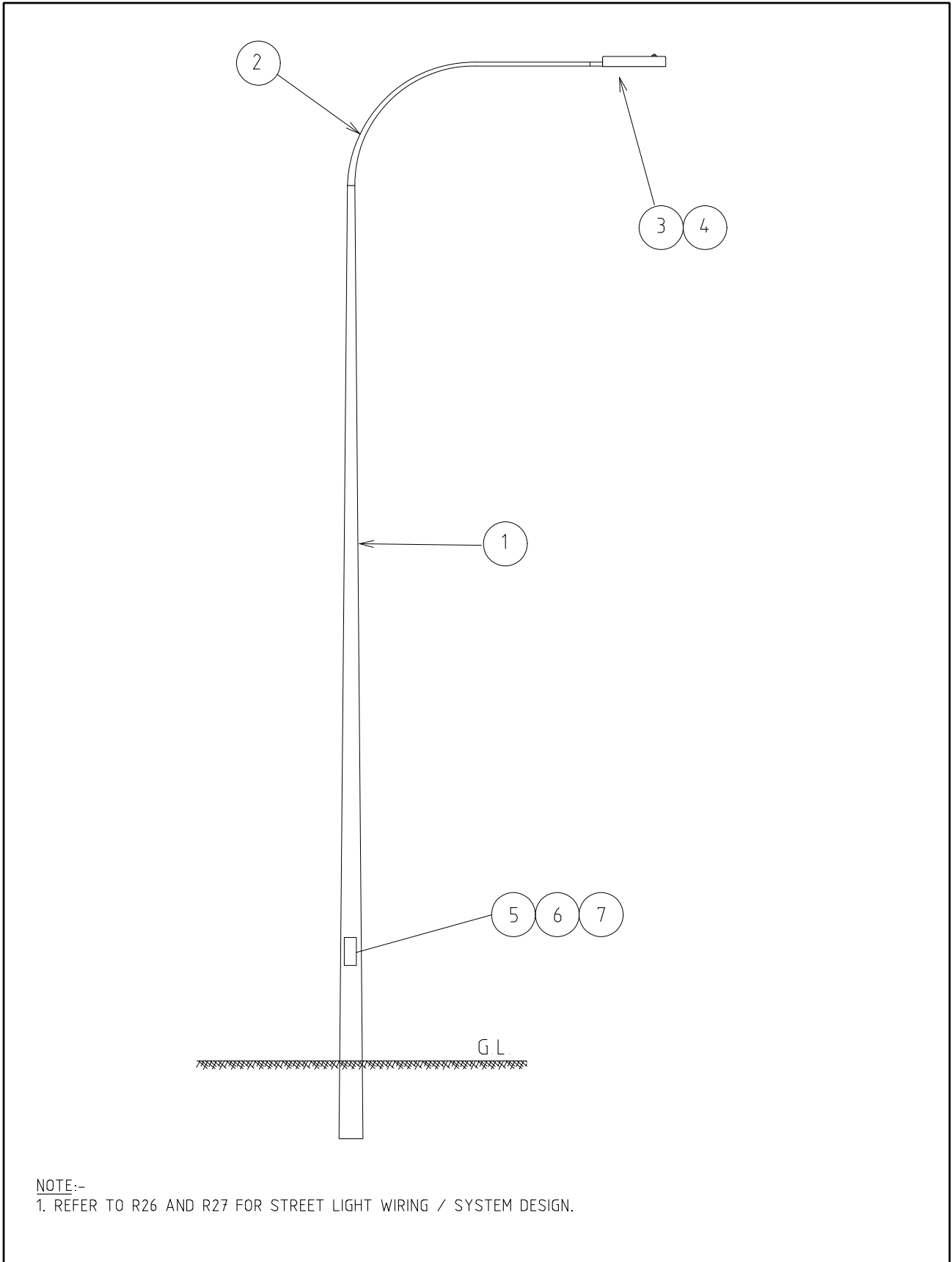
Colour Temperature 3000K

SL10_2E Double outreach steel standard 10.5m 43W LED (equiv 125W MV)					
ITEM NUMBER	STOCK CODE	DESCRIPTION	QTY REQD	UNIT OF MEASURE	REMARKS
1	CW0275	Pole 10.5m	1		
2	CW0279	double outreach arm	1		
3	HL6605	LED Luminaire with 15m cable	2		
4	HL5557	NEMA base PE Cell	2		
5	GF1300	fuse cartridge 10 amp	2		
6	HZ0131	SL fuse cut-out	1		
7	HZ0135	Cut-out mounting bracket	1		

SL10_4E Double outreach steel standard 10.5m 70W LED (equiv 150W HPS & MH)					
ITEM NUMBER	STOCK CODE	DESCRIPTION	QTY REQD	UNIT OF MEASURE	REMARKS
1	CW0275	Pole 10.5m	1		
2	CW0279	double outreach arm	1		
3	HL6610	LED Luminaire with 15m cable	2		
4	HL5557	NEMA base PE Cell	2		
5	GF1300	fuse cartridge 10 amp	2		
6	HZ0131	SL fuse cut-out	1		
7	HZ0135	Cut-out mounting bracket	1		

SL10_5E Double outreach steel standard 10.5m 160W LED (equiv 250W MH)					
ITEM NUMBER	STOCK CODE	DESCRIPTION	QTY REQD	UNIT OF MEASURE	REMARKS
1	CW0275	Pole 10.5m	1		
2	CW0279	double outreach arm	1		
3	HL6313	LED Luminaire with 15m cable	2		
4	HL5557	NEMA base PE Cell	2		
5	GF1300	fuse cartridge 10 amp	2		
6	HZ0131	SL fuse cut-out	1		
7	HZ0135	Cut-out mounting bracket	1		

SL10_6E Double outreach steel standard 10.5m 165W LED (equiv 250W HPS)					
ITEM NUMBER	STOCK CODE	DESCRIPTION	QTY REQD	UNIT OF MEASURE	REMARKS
1	CW0275	Pole 10.5m	1		
2	CW0279	double outreach arm	1		
3	HL6616	LED Luminaire with 15m cable	2		
4	HL5557	NEMA base PE Cell	2		
5	GF1300	fuse cartridge 10 amp	2		
6	HZ0131	SL fuse cut-out	1		
7	HZ0135	Cut-out mounting bracket	1		



NOTE:-
1. REFER TO R26 AND R27 FOR STREET LIGHT WIRING / SYSTEM DESIGN.

				COMPATIBLE UNIT			DISTRIBUTION DESIGN CATALOGUE			
				TITLE			DRAWN: JRR		DATE: 17-04-2014	
				SINGLE OUTREACH STEEL STANDARD - 12.5M			ORIGINATED:		SCALE: NTS	
							CHECKED: REE		DRG. No. SL11	
							APPROVED: GRANT STACY		REV. SHT.	
REV	DATE	DESCRIPTION	ORGO	CHKD	APRD					
I	24.06.20	ITEM 7 (HZ0135) ADDED	CO	REE	GS					
H	17.08.18	NOTE REVISED AND LED ADDED	REE	JC	FK					
G	01.12.09	ORIGINAL ISSUE								

CU	CU Description
-----------	-----------------------

Colour Temperature 4000K

SL11_4L Single Outreach steel standard 12.5m 68W LED (equiv 150W HPS & MH)					
ITEM NUMBER	STOCK CODE	DESCRIPTION	QTY REQD	UNIT OF MEASURE	REMARKS
1	CW0276	POLE 12.5M	1		
2	CW0278	single outreach arm	1		
3	HL6609	LED Luminaire with 15m cable	1		
4	HL5557	NEMA base PE Cell	1		
5	GF1300	fuse cartridge 10 amp	1		
6	HZ0131	SL fuse cut-out	1		
7	HZ0135	Cut-out mounting bracket	1		

SL11_5L Single outreach steel standard 12.5m 135W LED (equiv 250W MH)					
ITEM NUMBER	STOCK CODE	DESCRIPTION	QTY REQD	UNIT OF MEASURE	REMARKS
1	CW0276	POLE 12.5M	1		
2	CW0278	single outreach arm	1		
3	HL6612	LED Luminaire with 15m cable	1		
4	HL5557	NEMA base PE Cell	1		
5	GF1300	fuse cartridge 10 amp	1		
6	HZ0131	SL fuse cut-out	1		
7	HZ0135	Cut-out mounting bracket	1		

SL11_6L Single outreach steel standard 12.5m 170W LED (equiv 250W HPS)					
ITEM NUMBER	STOCK CODE	DESCRIPTION	QTY REQD	UNIT OF MEASURE	REMARKS
1	CW0276	POLE 12.5M	1		
2	CW0278	single outreach arm	1		
3	HL6315	LED Luminaire with 15m cable	1		
4	HL5557	NEMA base PE Cell	1		
5	GF1300	fuse cartridge 10 amp	1		
6	HZ0131	SL fuse cut-out	1		
7	HZ0135	Cut-out mounting bracket	1		

CU	CU Description
-----------	-----------------------

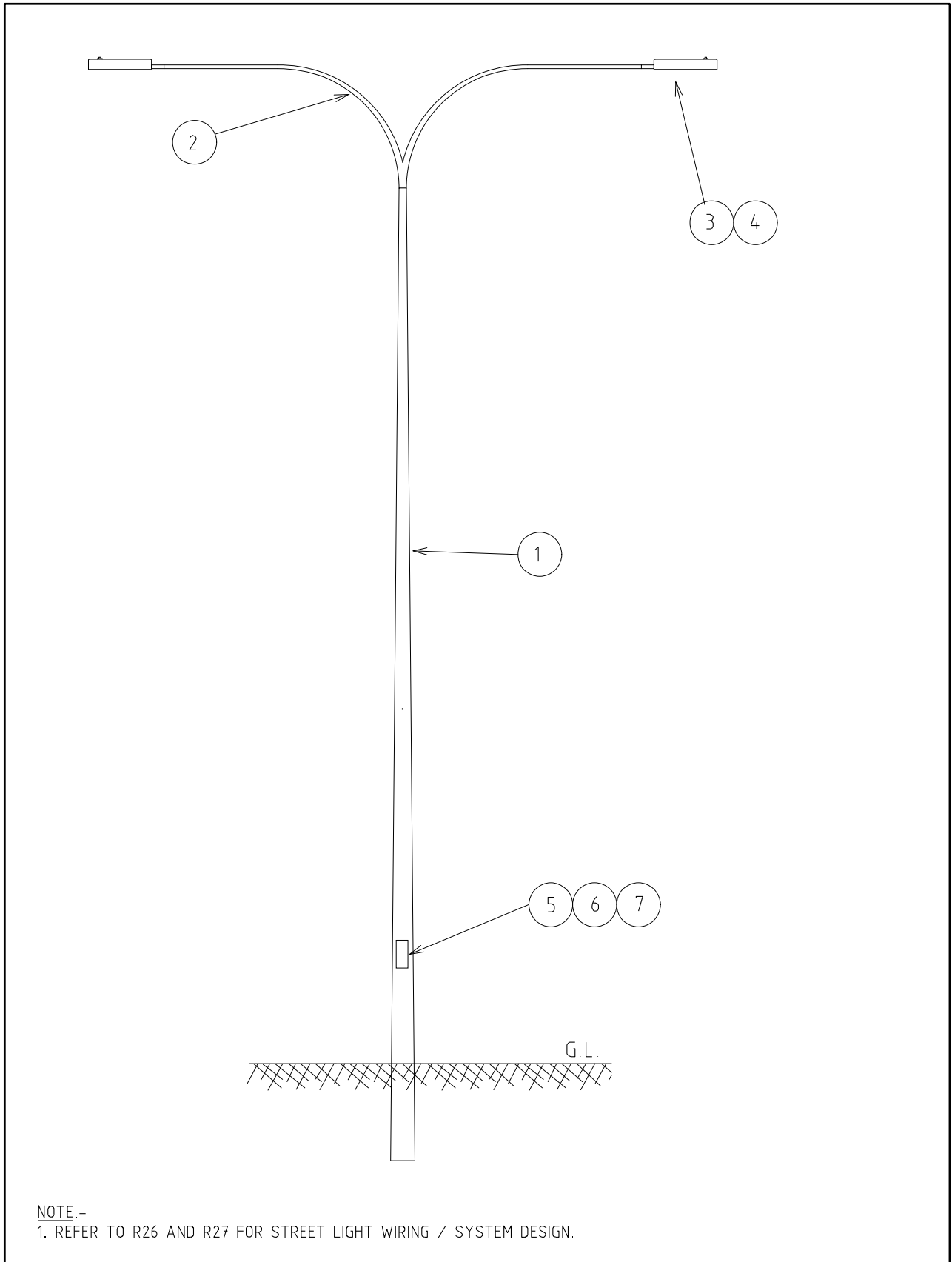
Colour Temperature 3000K

SL11_2E Single Outreach steel standard 12.5m 43W LED (equiv 125W MV)					
ITEM NUMBER	STOCK CODE	DESCRIPTION	QTY REQD	UNIT OF MEASURE	REMARKS
1	CW0276	POLE 12.5M	1		
2	CW0278	single outreach arm	1		
3	HL6605	LED Luminaire with 15m cable	1		
4	HL5557	NEMA base PE Cell	1		
5	GF1300	fuse cartridge 10 amp	1		
6	HZ0131	SL fuse cut-out	1		
7	HZ0135	Cut-out mounting bracket	1		

SL11_4E Single Outreach steel standard 12.5m 70W LED (equiv 150W HPS & MH)					
ITEM NUMBER	STOCK CODE	DESCRIPTION	QTY REQD	UNIT OF MEASURE	REMARKS
1	CW0276	POLE 12.5M	1		
2	CW0278	single outreach arm	1		
3	HL6610	LED Luminaire with 15m cable	1		
4	HL5557	NEMA base PE Cell	1		
5	GF1300	fuse cartridge 10 amp	1		
6	HZ0131	SL fuse cut-out	1		
7	HZ0135	Cut-out mounting bracket	1		

SL11_5E Single outreach steel standard 12.5m 160W LED (equiv 250W MH)					
ITEM NUMBER	STOCK CODE	DESCRIPTION	QTY REQD	UNIT OF MEASURE	REMARKS
1	CW0276	POLE 12.5M	1		
2	CW0278	single outreach arm	1		
3	HL6313	LED Luminaire with 15m cable	1		
4	HL5557	NEMA base PE Cell	1		
5	GF1300	fuse cartridge 10 amp	1		
6	HZ0131	SL fuse cut-out	1		
7	HZ0135	Cut-out mounting bracket	1		

SL11_6E Single outreach steel standard 12.5m 165W LED (equiv 250W HPS)					
ITEM NUMBER	STOCK CODE	DESCRIPTION	QTY REQD	UNIT OF MEASURE	REMARKS
1	CW0276	POLE 12.5M	1		
2	CW0278	single outreach arm	1		
3	HL6616	LED Luminaire with 15m cable	1		
4	HL5557	NEMA base PE Cell	1		
5	GF1300	fuse cartridge 10 amp	1		
6	HZ0131	SL fuse cut-out	1		
7	HZ0135	Cut-out mounting bracket	1		



NOTE:-
1. REFER TO R26 AND R27 FOR STREET LIGHT WIRING / SYSTEM DESIGN.

				COMPATIBLE UNIT			DISTRIBUTION DESIGN CATALOGUE		westernpower	
				TITLE			DRAWN: JRR		DATE: 17-04-2014	
				DOUBLE OUTREACH STEEL STANDARD - 12.5M			ORIGINATED: REE		SCALE: NTS	
							CHECKED: REE		DRG. No. SL12	
							APPROVED: GRANT STACY		REV. SHT.	
REV	DATE	DESCRIPTION	DRGD	CHKD	APRD					
I	24.06.20	ITEM 7 (HZ0135) ADDED	CO	REE	GS					
H	17.08.18	NOTE REVISED AND LED ADDED	REE	JC	FK					
G	01.12.09	ORIGINAL ISSUE								

CU	CU Description
-----------	-----------------------

Colour Temperature 4000K

SL12_4L Double outreach steel standard 12.5m 68W LED (equiv 150W HPS & MH)					
ITEM NUMBER	STOCK CODE	DESCRIPTION	QTY REQD	UNIT OF MEASURE	REMARKS
1	CW0276	POLE 12.5M	1		
2	CW0279	double outreach arm	1		
3	HL6609	LED Luminaire with 15m cable	2		
4	HL5557	NEMA base PE Cell	2		
5	GF1300	fuse cartridge 10 amp	2		
6	HZ0131	SL fuse cut-out	1		
7	HZ0135	Cut-out mounting bracket	1		

SL12_5L Double outreach steel standard 12.5m 135W LED (equiv 250W MH)					
ITEM NUMBER	STOCK CODE	DESCRIPTION	QTY REQD	UNIT OF MEASURE	REMARKS
1	CW0276	POLE 12.5M	1		
2	CW0279	double outreach arm	1		
3	HL6612	LED Luminaire with 15m cable	2		
4	HL5557	NEMA base PE Cell	2		
5	GF1300	fuse cartridge 10 amp	2		
6	HZ0131	SL fuse cut-out	1		
7	HZ0135	Cut-out mounting bracket	1		

SL12_6L Double outreach steel standard 12.5m 170W LED (equiv 250W HPS)					
ITEM NUMBER	STOCK CODE	DESCRIPTION	QTY REQD	UNIT OF MEASURE	REMARKS
1	CW0276	POLE 12.5M	1		
2	CW0279	double outreach arm	1		
3	HL6315	LED Luminaire with 15m cable	2		
4	HL5557	NEMA base PE Cell	2		
5	GF1300	fuse cartridge 10 amp	2		
6	HZ0131	SL fuse cut-out	1		
7	HZ0135	Cut-out mounting bracket	1		

CU	CU Description
-----------	-----------------------

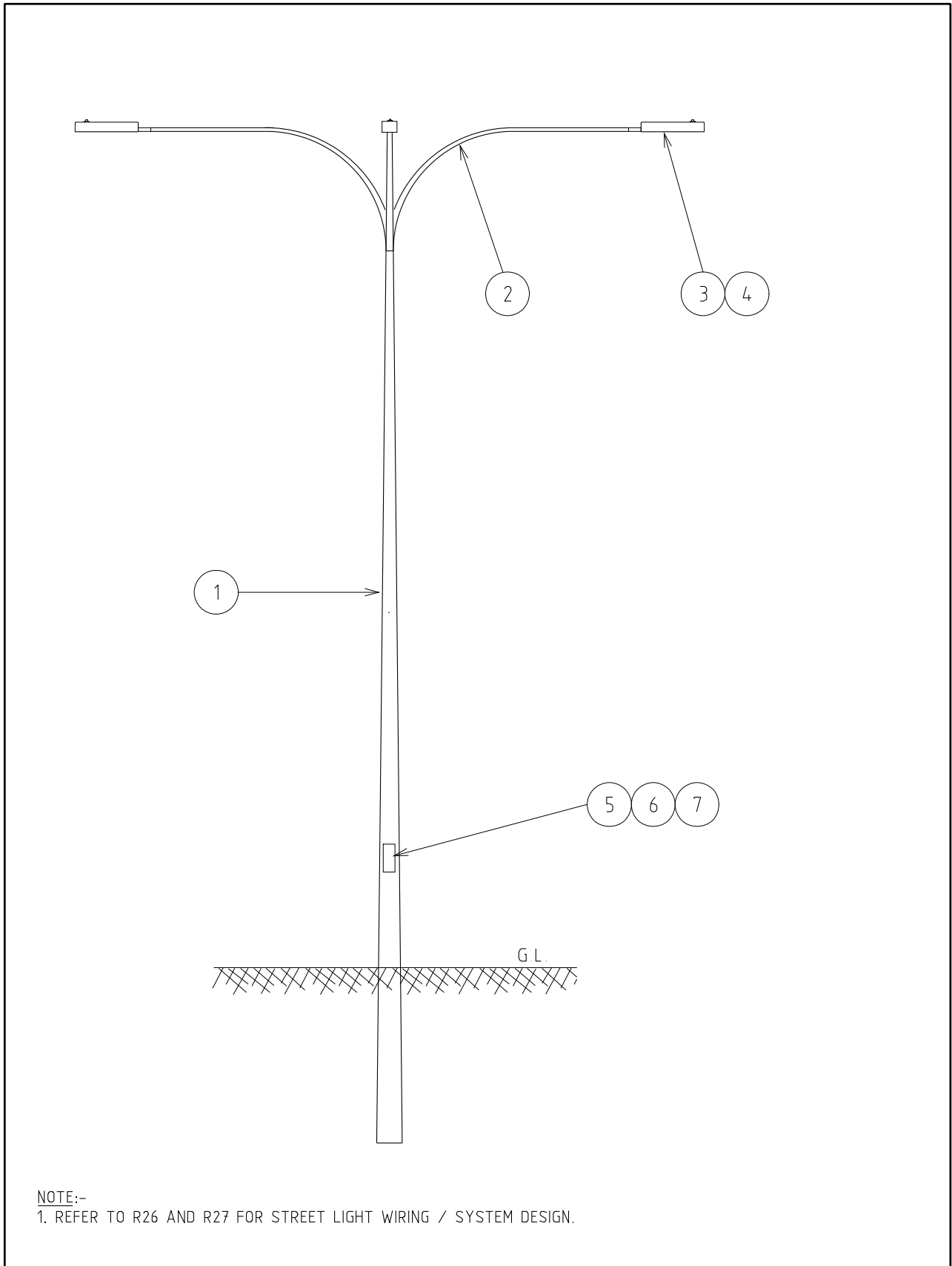
Colour Temperature 3000K

SL12_2E Double outreach steel standard 12.5m 43W LED (equiv 125W MV)					
ITEM NUMBER	STOCK CODE	DESCRIPTION	QTY REQD	UNIT OF MEASURE	REMARKS
1	CW0276	POLE 12.5M	1		
2	CW0279	double outreach arm	1		
3	HL6605	LED Luminaire with 15m cable	2		
4	HL5557	NEMA base PE Cell	2		
5	GF1300	fuse cartridge 10 amp	2		
6	HZ0131	SL fuse cut-out	1		
7	HZ0135	Cut-out mounting bracket	1		

SL12_4E Double outreach steel standard 12.5m 70W LED (equiv 150W HPS & MH)					
ITEM NUMBER	STOCK CODE	DESCRIPTION	QTY REQD	UNIT OF MEASURE	REMARKS
1	CW0276	POLE 12.5M	1		
2	CW0279	double outreach arm	1		
3	HL6610	LED Luminaire with 15m cable	2		
4	HL5557	NEMA base PE Cell	2		
5	GF1300	fuse cartridge 10 amp	2		
6	HZ0131	SL fuse cut-out	1		
7	HZ0135	Cut-out mounting bracket	1		

SL12_5E Double outreach steel standard 12.5m 160W LED (equiv 250W MH)					
ITEM NUMBER	STOCK CODE	DESCRIPTION	QTY REQD	UNIT OF MEASURE	REMARKS
1	CW0276	POLE 12.5M	1		
2	CW0279	double outreach arm	1		
3	HL6313	LED Luminaire with 15m cable	2		
4	HL5557	NEMA base PE Cell	2		
5	GF1300	fuse cartridge 10 amp	2		
6	HZ0131	SL fuse cut-out	1		
7	HZ0135	Cut-out mounting bracket	1		

SL12_6E Double outreach steel standard 12.5m 165W LED (equiv 250W HPS)					
ITEM NUMBER	STOCK CODE	DESCRIPTION	QTY REQD	UNIT OF MEASURE	REMARKS
1	CW0276	POLE 12.5M	1		
2	CW0279	double outreach arm	1		
3	HL6616	LED Luminaire with 15m cable	2		
4	HL5557	NEMA base PE Cell	2		
5	GF1300	fuse cartridge 10 amp	2		
6	HZ0131	SL fuse cut-out	1		
7	HZ0135	Cut-out mounting bracket	1		



NOTE:-
1. REFER TO R26 AND R27 FOR STREET LIGHT WIRING / SYSTEM DESIGN.

				COMPATIBLE UNIT			DISTRIBUTION DESIGN CATALOGUE			
				TITLE			DRAWN: JRR		DATE: 22-04-2014	
				4 WAY OUTREACH STEEL STANDARD - 10.5m			ORIGINATED: REE		SCALE: NTS	
							CHECKED: REE		DRG. No. SL16	
							APPROVED: GRANT STACY		REV. E	
REV	DATE	DESCRIPTION	DRGD	CHKD	APRD			SHT.		
E	24.06.20	ITEM 7 (HZ0135) ADDED	CO	REE	GS					
D	17.08.18	NOTE REVISED AND LED ADDED	REE	JC	FK					
C	01.12.09	ORIGINAL ISSUE								

CU	CU Description
-----------	-----------------------

Colour Temperature 4000K

SL16_4L 4 Way outreach steel standard 10.5m_68W LED (equiv 150W HPS & MH)					
ITEM NUMBER	STOCK CODE	DESCRIPTION	QTY REQD	UNIT OF MEASURE	REMARKS
1	CW0275	POLE 10.5M	1		
2	CW1317	4 Way outreach arm - galv	1		
3	HL6609	LED Luminaire with 15m cable	4		
4	HL5557	NEMA base PE Cell	4		
5	GF1300	fuse cartridge 10 amp	2		
6	HZ0131	SL fuse cut-out	1		
7	HZ0135	Cut-out mounting bracket	1		

SL16_5L 4 Way outreach steel standard 10.5m_135W LED (equiv 250W MH)					
ITEM NUMBER	STOCK CODE	DESCRIPTION	QTY REQD	UNIT OF MEASURE	REMARKS
1	CW0275	POLE 10.5M	1		
2	CW1317	4 Way outreach arm - galv	1		
3	HL6612	LED Luminaire with 15m cable	4		
4	HL5557	NEMA base PE Cell	4		
5	GF1300	fuse cartridge 10 amp	2		
6	HZ0131	SL fuse cut-out	1		
7	HZ0135	Cut-out mounting bracket	1		

SL16_6L 4 Way outreach steel standard 10.5m_170W LED (equiv 250W HPS)					
ITEM NUMBER	STOCK CODE	DESCRIPTION	QTY REQD	UNIT OF MEASURE	REMARKS
1	CW0275	POLE 10.5M	1		
2	CW1317	4 Way outreach arm - galv	1		
3	HL6315	LED Luminaire with 15m cable	4		
4	HL5557	NEMA base PE Cell	4		
5	GF1300	fuse cartridge 10 amp	2		
6	HZ0131	SL fuse cut-out	1		
7	HZ0135	Cut-out mounting bracket	1		

CU	CU Description
-----------	-----------------------

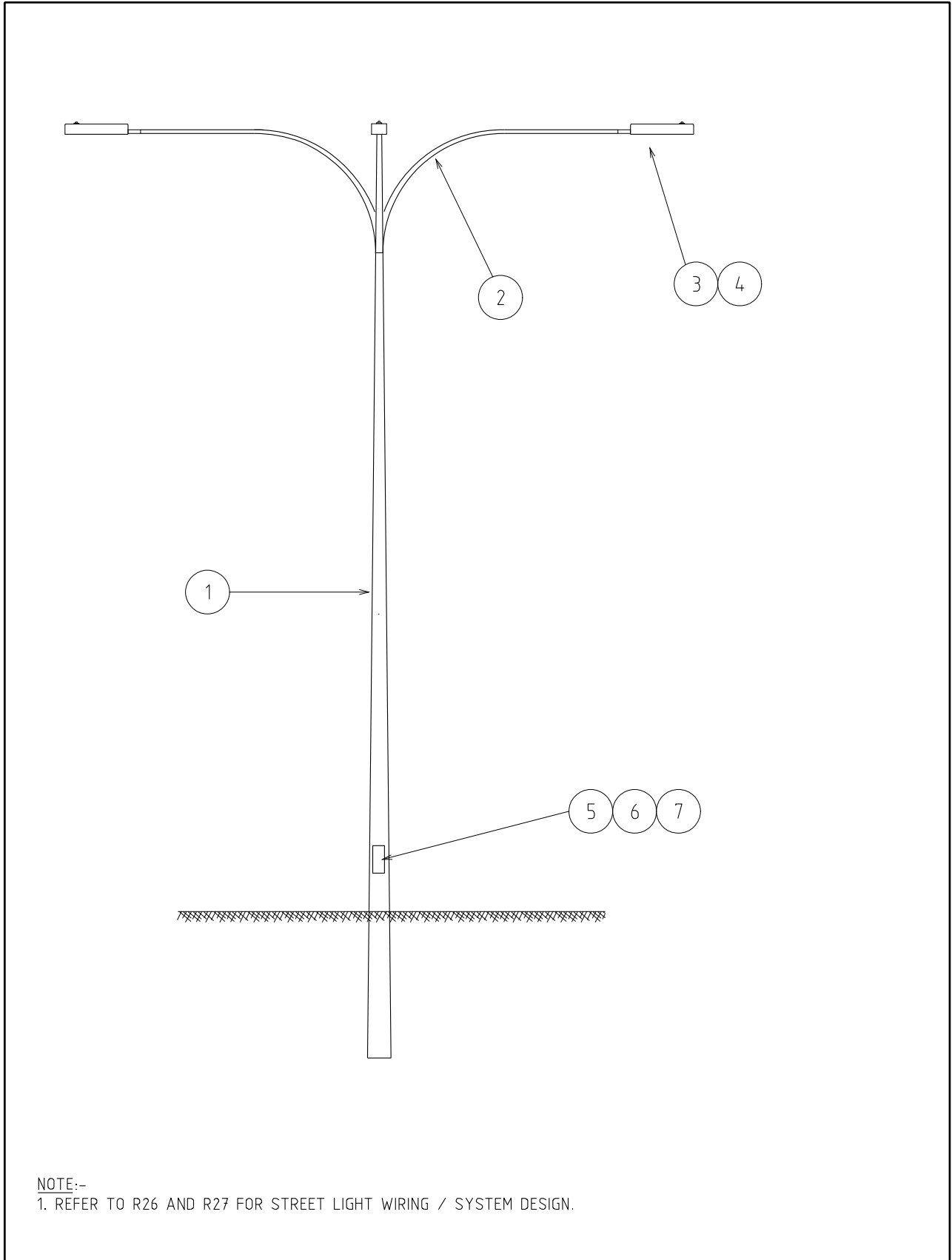
Colour Temperature 3000K

SL16_2E 4 Way outreach steel standard 10.5m_43W LED (equiv 125W MV)					
ITEM NUMBER	STOCK CODE	DESCRIPTION	QTY REQD	UNIT OF MEASURE	REMARKS
1	CW0275	POLE 10.5M	1		
2	CW1317	4 Way outreach arm - galv	1		
3	HL6605	LED Luminaire with 15m cable	4		
4	HL5557	NEMA base PE Cell	4		
5	GF1300	fuse cartridge 10 amp	2		
6	HZ0131	SL fuse cut-out	1		
7	HZ0135	Cut-out mounting bracket	1		

SL16_4E 4 Way outreach steel standard 10.5m_70W LED (equiv 150W HPS & MH)					
ITEM NUMBER	STOCK CODE	DESCRIPTION	QTY REQD	UNIT OF MEASURE	REMARKS
1	CW0275	POLE 10.5M	1		
2	CW1317	4 Way outreach arm - galv	1		
3	HL6610	LED Luminaire with 15m cable	4		
4	HL5557	NEMA base PE Cell	4		
5	GF1300	fuse cartridge 10 amp	2		
6	HZ0131	SL fuse cut-out	1		
7	HZ0135	Cut-out mounting bracket	1		

SL16_5E 4 Way outreach steel standard 10.5m_160W LED (equiv 250W MH)					
ITEM NUMBER	STOCK CODE	DESCRIPTION	QTY REQD	UNIT OF MEASURE	REMARKS
1	CW0275	POLE 10.5M	1		
2	CW1317	4 Way outreach arm - galv	1		
3	HL6313	LED Luminaire with 15m cable	4		
4	HL5557	NEMA base PE Cell	4		
5	GF1300	fuse cartridge 10 amp	2		
6	HZ0131	SL fuse cut-out	1		
7	HZ0135	Cut-out mounting bracket	1		

SL16_6E 4 Way outreach steel standard 10.5m_165W LED (equiv 250W HPS)					
ITEM NUMBER	STOCK CODE	DESCRIPTION	QTY REQD	UNIT OF MEASURE	REMARKS
1	CW0275	POLE 10.5M	1		
2	CW1317	4 Way outreach arm - galv	1		
3	HL6616	LED Luminaire with 15m cable	4		
4	HL5557	NEMA base PE Cell	4		
5	GF1300	fuse cartridge 10 amp	2		
6	HZ0131	SL fuse cut-out	1		
7	HZ0135	Cut-out mounting bracket	1		



NOTE:-
 1. REFER TO R26 AND R27 FOR STREET LIGHT WIRING / SYSTEM DESIGN.

				COMPATIBLE UNIT			DISTRIBUTION DESIGN CATALOGUE			
				TITLE			DRAWN: JRR		DATE: 22-04-2014	
				4 WAY OUTREACH			ORIGINATED: REE		SCALE: NTS	
				STEEL STANDARD - 12.5M			CHECKED: REE		DRG. No. SL17	
							APPROVED: GRANT STACY		REV. E	
REV	DATE	DESCRIPTION	DRGD	CHKD	APRD			SHT.		
E	24.06.20	ITEM 7 (HZ0135) ADDED	CO	REE	GS					
D	17.08.18	NOTE REVISED AND LED ADDED	REE	JC	FK					
C	01.12.09	ORIGINAL ISSUE								

CU	CU Description
-----------	-----------------------

Colour Temperature 4000K

SL17_4L 4 Way outreach steel standard 12.5m_68W LED (equiv 150W HPS & MH)					
ITEM NUMBER	STOCK CODE	DESCRIPTION	QTY REQD	UNIT OF MEASURE	REMARKS
1	CW0276	POLE 12.5M	1		
2	CW1317	4 Way outreach arm - galv	1		
3	HL6609	LED Luminaire with 15m cable	4		
4	HL5557	NEMA base PE Cell	4		
5	GF1300	fuse cartridge 10 amp	2		
6	HZ0131	SL fuse cut-out	1		
7	HZ0135	Cut-out mounting bracket	1		

SL17_5L 4 Way outreach steel standard 12.5m_135W LED (equiv 250W MH)					
ITEM NUMBER	STOCK CODE	DESCRIPTION	QTY REQD	UNIT OF MEASURE	REMARKS
1	CW0276	POLE 12.5M	1		
2	CW1317	4 Way outreach arm - galv	1		
3	HL6612	LED Luminaire with 15m cable	4		
4	HL5557	NEMA base PE Cell	4		
5	GF1300	fuse cartridge 10 amp	2		
6	HZ0131	SL fuse cut-out	1		
7	HZ0135	Cut-out mounting bracket	1		

SL17_6L 4 Way outreach steel standard 12.5m_170W LED (equiv 250W HPS)					
ITEM NUMBER	STOCK CODE	DESCRIPTION	QTY REQD	UNIT OF MEASURE	REMARKS
1	CW0276	POLE 12.5M	1		
2	CW1317	4 Way outreach arm - galv	1		
3	HL6315	LED Luminaire with 15m cable	4		
4	HL5557	NEMA base PE Cell	4		
5	GF1300	fuse cartridge 10 amp	2		
6	HZ0131	SL fuse cut-out	1		
7	HZ0135	Cut-out mounting bracket	1		

CU	CU Description
-----------	-----------------------

Colour Temperature 3000K

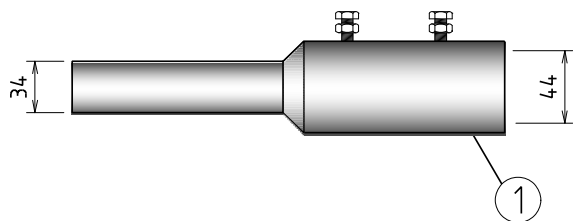
SL17_2E 4 Way outreach steel standard 12.5m_43W LED (equiv 125W MV)					
ITEM NUMBER	STOCK CODE	DESCRIPTION	QTY REQD	UNIT OF MEASURE	REMARKS
1	CW0276	POLE 12.5M	1		
2	CW1317	4 Way outreach arm - galv	1		
3	HL6605	LED Luminaire with 15m cable	4		
4	HL5557	NEMA base PE Cell	4		
5	GF1300	fuse cartridge 10 amp	2		
6	HZ0131	SL fuse cut-out	1		
7	HZ0135	Cut-out mounting bracket	1		

SL17_4E 4 Way outreach steel standard 12.5m_70W LED (equiv 150W HPS & MH)					
ITEM NUMBER	STOCK CODE	DESCRIPTION	QTY REQD	UNIT OF MEASURE	REMARKS
1	CW0276	POLE 12.5M	1		
2	CW1317	4 Way outreach arm - galv	1		
3	HL6610	LED Luminaire with 15m cable	4		
4	HL5557	NEMA base PE Cell	4		
5	GF1300	fuse cartridge 10 amp	2		
6	HZ0131	SL fuse cut-out	1		
7	HZ0135	Cut-out mounting bracket	1		

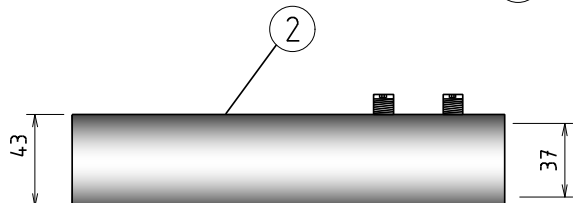
SL17_5E 4 Way outreach steel standard 12.5m_160W LED (equiv 250W MH)					
ITEM NUMBER	STOCK CODE	DESCRIPTION	QTY REQD	UNIT OF MEASURE	REMARKS
1	CW0276	POLE 12.5M	1		
2	CW1317	4 Way outreach arm - galv	1		
3	HL6313	LED Luminaire with 15m cable	4		
4	HL5557	NEMA base PE Cell	4		
5	GF1300	fuse cartridge 10 amp	2		
6	HZ0131	SL fuse cut-out	1		
7	HZ0135	Cut-out mounting bracket	1		

SL17_6E 4 Way outreach steel standard 12.5m_165W LED (equiv 250W HPS)					
ITEM NUMBER	STOCK CODE	DESCRIPTION	QTY REQD	UNIT OF MEASURE	REMARKS
1	CW0276	POLE 12.5M	1		
2	CW1317	4 Way outreach arm - galv	1		
3	HL6616	LED Luminaire with 15m cable	4		
4	HL5557	NEMA base PE Cell	4		
5	GF1300	fuse cartridge 10 amp	2		
6	HZ0131	SL fuse cut-out	1		
7	HZ0135	Cut-out mounting bracket	1		

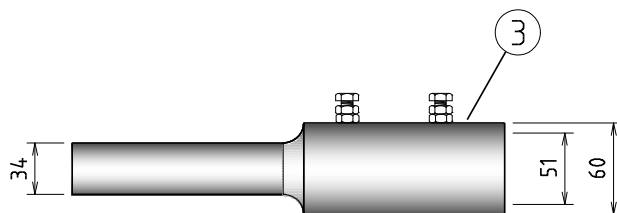
LUMINAIRE SIDE BRACKET/COLUMN SIDE



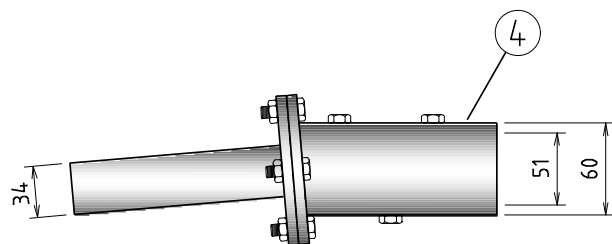
FOR USE ON CU's (OVERHEAD BRACKET)
 SL 3, SL03-1
 SL 5, SL05-1
 SL 6, SL06-1
 SL 24, SL24-1
 TO FIT ROAD GRACE



FOR USE ON CU (6.5m COLUMN)
 SL 8, SL08-1
 TO FIT ROAD FLAIR



FOR USE ON CU's (10.5 & 12.5 COLUMNS)
 SL 9, SL09-1
 SL 10, SL10-1
 SL 11, SL11-1
 SL 12, SL12-1
 SL 16, SL16-1
 SL 17, SL17-1
 TO FIT BOURKE HILL LUMINAIRE



FOR USE WITH 10.5 & 12.5 COLUMNS
 TO REDUCE UPLIFT BY 5° OR 10°
 (LUMINAIRE MUST NOT BE REDUCED
 BELOW HORIZONTAL)
 TO FIT ROAD FLAIR

LUMINAIRE	SOCKET SIZE / RANGE
ROAD GRACE	25 - 40
ROAD FLAIR	42 - 60
BOURKE HILL	37
PARK VILLE	47
KENSINGTON	80

COLUMNS	BOSS SIZE		BRACKET/COLUMNS		
	NB	OD	6.5	10.5	12.5
MINOR ROAD	25	33.7	✓	✗	✗
ARTERIAL ROAD	40	48.3	✗	✓	✓

O/H BRACKET	BOSS SIZE
MINOR ROAD	34
ARTERIAL ROAD	42.8

NOTES:-
 1. ALL DIMENSIONS ARE IN MILLIMETRES.

(FOR LED LUMINAIRES)

COMPATIBLE UNIT				DISTRIBUTION DESIGN CATALOGUE			westernpower		
E	18.12.19	ANGLE ADAPTOR ADDED	REE	NN	FK	TITLE	DRWN: JRR	DATE: 22-04-2014	DRG. No.
D	06.06.19	MORE DETAILS ADDED	REE	NN	FK	LUMINAIRE ADAPTORS	ORIGINATED: JRR	SCALE: NTS	SL18-1
C	09.01.19	DIMENSIONS & TABLE ADDED	REE	NN	GS		CHECKED: REE	APPROVED: GRANT STACY	
B	17.08.18	DRAWING REVISED TO SUIT LED LUMINAIRE	REE	JC	FK		APPROVED:	REV: E	SHT:
A	26.10.10	ORIGINAL ISSUE	ORGD	CHKD	APRD				
REV	DATE	DESCRIPTION	ORGD	CHKD	APRD				

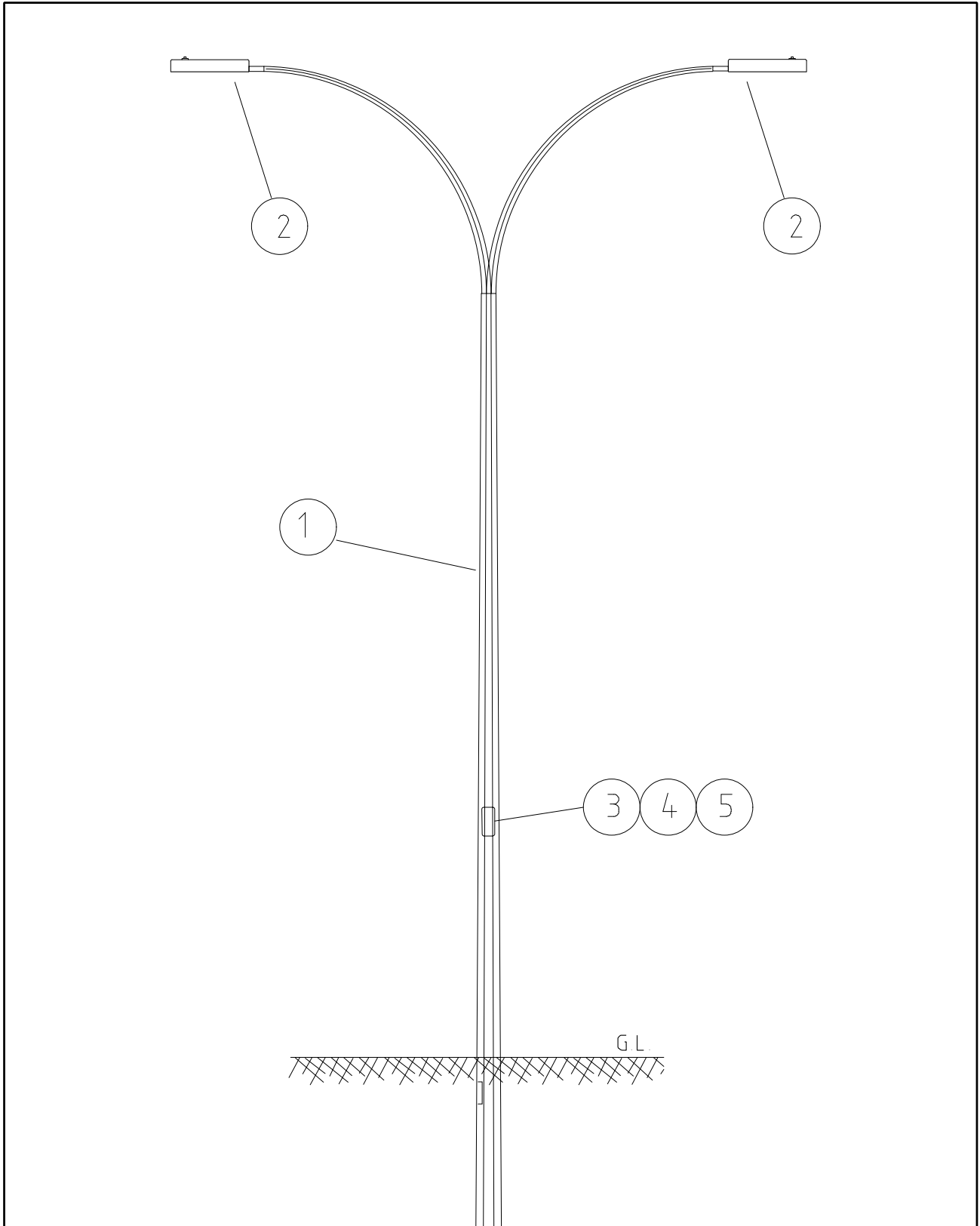
CU	CU Description
-----------	-----------------------

SL18_GRACE Luminaire adaptor for RoadGrace LED (equiv 42W CFL, 125W MH & HPS)					
ITEM NUMBER	STOCK CODE	DESCRIPTION	QTY REQD	UNIT OF MEASURE	REMARKS
1	HL3345	Luminaire adaptor for RoadGrace	1		

SL18_FLAIR Luminaire adaptor for RoadFlair LED (equiv 150/250 MH & HPS)					
ITEM NUMBER	STOCK CODE	DESCRIPTION	QTY REQD	UNIT OF MEASURE	REMARKS
2	HL3346	Luminaire adaptor for Road Flair luminaire	1		

SL18_BOURKE Luminaire adaptor to fit - Bourke Hill Luminaire					
ITEM NUMBER	STOCK CODE	DESCRIPTION	QTY REQD	UNIT OF MEASURE	REMARKS
3	HL3347	Luminaire adaptor for B/Hill LED	1		

SL18_REDUCE Luminaire adaptor RoadFlair to non-standard columns					
ITEM NUMBER	STOCK CODE	DESCRIPTION	QTY REQD	UNIT OF MEASURE	REMARKS
4	HL3342	Luminaire adaptor for RoadFlair to non-std columns	1		



NOTE -
1. REFER TO R26 AND R27 FOR STREET LIGHT WIRING / SYSTEM DESIGN.

				COMPATIBLE UNIT			DISTRIBUTION DESIGN CATALOGUE				
				TITLE			DRAWN: JRR		DATE: 22-04-2014		
				DOUBLE OUTREACH STEEL STANDARD - 6.5m			ORIGINATED: REE		SCALE: NTS		
							CHECKED: REE		DRG. No. SL20		
							APPROVED: GRANT STACY		REV. E		
REV	DATE	DESCRIPTION	ORGD.	CHKD.	APRD.						
E	24.06.20	ITEM 5 (H20135) ADDED		CO	REE	GS					
D	17.08.18	LED LUMINAIRE ADDED		REE	JC	FK					
C	08.08.01	ORIGINAL ISSUE									

CU	CU Description
----	----------------

Colour Temperature 4000K

SL20_1L Double outreach steel standard 6.5m 16W LED (equiv 42W CFL)					
ITEM NUMBER	STOCK CODE	DESCRIPTION	QTY REQD	UNIT OF MEASURE	REMARKS
1	CW1331	POLE 6.5M	1		
2	HL6600	LED Luminaire with 8m cable	2		
2	HL5557	NEMA base PE Cell	2		
3	GF1300	fuse cartridge 10 amp	2		
4	HZ0131	SL fuse cut-out	1		
5	HZ0135	Cut-out mounting bracket	1		

SL20_2L Double outreach steel standard 6.5m 53W LED (equiv 125W MV)					
ITEM NUMBER	STOCK CODE	DESCRIPTION	QTY REQD	UNIT OF MEASURE	REMARKS
1	CW1331	POLE 6.5M	1		
2	HL6303	LED Luminaire with 8m cable	2		RoadGrace model
2	HL5557	NEMA base PE Cell	2		
3	GF1300	fuse cartridge 10 amp	2		
4	HZ0131	SL fuse cut-out	1		
5	HZ0135	Cut-out mounting bracket	1		

SL20_3L Double outreach steel standard 6.5m 36W LED (equiv 70W MH & HPS)					
ITEM NUMBER	STOCK CODE	DESCRIPTION	QTY REQD	UNIT OF MEASURE	REMARKS
1	CW1331	POLE 6.5M	1		
2	HL6306	LED Luminaire with 8m cable	2		RoadGrace model
2	HL5557	NEMA base PE Cell	2		
3	GF1300	fuse cartridge 10 amp	2		
4	HZ0131	SL fuse cut-out	1		
5	HZ0135	Cut-out mounting bracket	1		

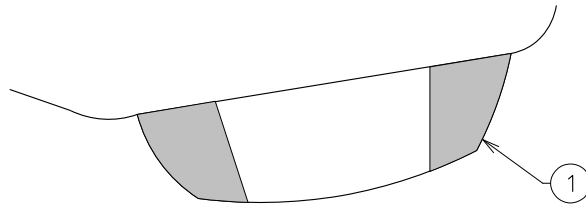
Colour Temperature 3000K

SL20_1E Double outreach steel standard 6.5m 16W LED (equiv 42W CFL)					
ITEM NUMBER	STOCK CODE	DESCRIPTION	QTY REQD	UNIT OF MEASURE	REMARKS
1	CW1331	POLE 6.5M	1		
2	HL6601	LED Luminaire with 8m cable	1		
2	HL5557	NEMA base PE Cell	2		
3	GF1300	fuse cartridge 10 amp	2		
4	HZ0131	SL fuse cut-out	2		
5	HZ0135	Cut-out mounting bracket	1		

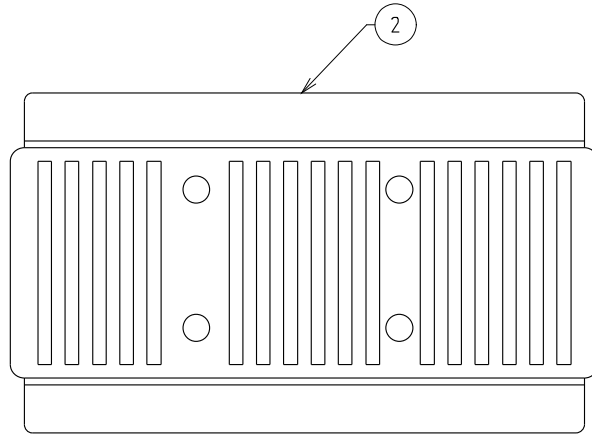
CU	CU Description
-----------	-----------------------

SL20_2E Double outreach steel standard 6.5m 43W LED (equiv 125W MV)					
ITEM NUMBER	STOCK CODE	DESCRIPTION	QTY REQD	UNIT OF MEASURE	REMARKS
1	CW1331	POLE 6.5M	1		
2	HL6604	LED Luminaire with 8m cable	2		
2	HL5557	NEMA base PE Cell	2		
3	GF1300	fuse cartridge 10 amp	2		
4	HZ0131	SL fuse cut-out	1		
5	HZ0135	Cut-out mounting bracket	1		

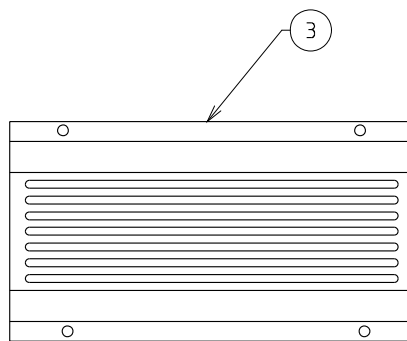
SL20_3E Double outreach steel standard 6.5m 28W LED (equiv 70W MH & HPS)					
ITEM NUMBER	STOCK CODE	DESCRIPTION	QTY REQD	UNIT OF MEASURE	REMARKS
1	CW1331	POLE 6.5M	1		
2	HL6607	LED Luminaire with 8m cable	2		
2	HL5557	NEMA base PE Cell	2		
3	GF1300	fuse cartridge 10 amp	2		
4	HZ0131	SL fuse cut-out	1		
5	HZ0135	Cut-out mounting bracket	1		



TRADITIONAL



LED ROAD FLAIR (3 SIZES)



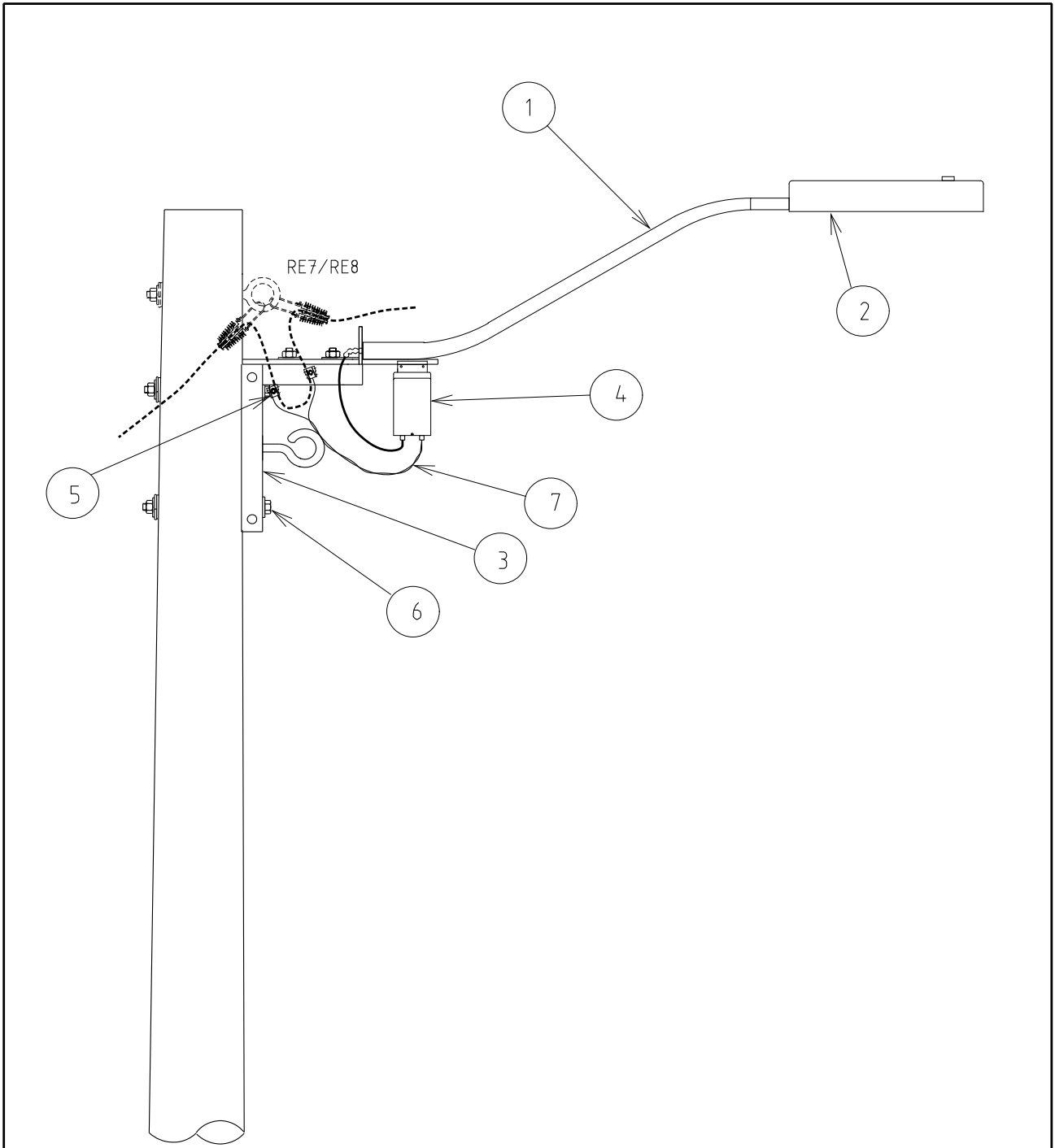
LED ROAD GRACE

				COMPATIBLE UNIT			DISTRIBUTION DESIGN CATALOGUE					
				TITLE			DRAWN: JRR		DATE: 22-04-2014		DRG. No.	
				GLARE SHIELDS			ORIGINATED:		SCALE: NTS		SL21	
							CHECKED: REE				REV. C	
							APPROVED: GRANT STACY				SHT.	
REV	DATE	DESCRIPTION		ORGD.	CHKD.	APRD.						
C	24.02.23	TITLE REVISED, DRAWING COMBINED WITH SL22		ML	CO	PC						
B	12.03.20	TITLE REVISED		REE	NN	GS						
A	10.06.10	ORIGINAL ISSUE										

CU		CU Description			
SL21_SHADEMP Light shade installation menu price					
ITEM NUMBER	STOCK CODE	DESCRIPTION	QTY RQD	UNIT OF MEASURE	REMARKS
1	HL0592	Glare shield	1	ea	
SL21_42 Glare shield for 42W CFL SL					
ITEM NUMBER	STOCK CODE	DESCRIPTION	QTY RQD	UNIT OF MEASURE	REMARKS
1	HL0590	Glare shield for 42W CFL suburban	1	ea	
SL21_70B Glare shield (Back) for 70W & 125W SL					
ITEM NUMBER	STOCK CODE	DESCRIPTION	QTY RQD	UNIT OF MEASURE	REMARKS
1	HL0592	Glare shield (Back) for 70W & 125W Urban	1	ea	
SL21_70FB Glare shield (Front & Back) for 70W & 125W SL					
ITEM NUMBER	STOCK CODE	DESCRIPTION	QTY RQD	UNIT OF MEASURE	REMARKS
1	HL0593	Glare shield (Front & Back) for 70W & 125W Urban pathway	1	ea	
SL21_150 Glare shield for 150W & 250W SL					
ITEM NUMBER	STOCK CODE	DESCRIPTION	QTY RQD	UNIT OF MEASURE	REMARKS
1	HL0591	Glare shield for 150W & 250W Roadster	1	ea	
SL21_GRACE Glare shield for RoadGrace LED					
ITEM NUMBER	STOCK CODE	DESCRIPTION	QTY REQD	UNIT OF MEASURE	REMARKS
3	HL0740	Glare shield for RoadGrace (Philips) luminaire	1	ea	
SL21_FLR_4L Glare shield for Flair 80W LED and smaller					
ITEM NUMBER	STOCK CODE	DESCRIPTION	QTY REQD	UNIT OF MEASURE	REMARKS
2	HL0741	Glare shield for Road Flair (Philips) luminaire	1	ea	
SL21_FLR_5L Glare shield for Flair 160W LED					
ITEM NUMBER	STOCK CODE	DESCRIPTION	QTY REQD	UNIT OF MEASURE	REMARKS
2	HL0742	Glare shield for Road Flair (Philips) luminaire	1	ea	

CU	CU Description
-----------	-----------------------

SL21_FLR_6L		Glare shield for Flair 170W LED			
ITEM NUMBER	STOCK CODE	DESCRIPTION	QTY REQD	UNIT OF MEASURE	REMARKS
2	HL0743	Glare shield for Road Flair (Philips) luminaire	1	ea	



NOTES:-

1. IF ARTERIAL LIGHTING IS TO BE FITTED TO MINOR ROAD LAYOUT REFER TO SL18 FOR BRACKETS.
2. REMOVE MINOR ROAD LUMINAIRE AND REPLACE WITH ARTERIAL ROAD LUMINAIRE REQUIREMENT.

				COMPATIBLE UNIT		DISTRIBUTION DESIGN CATALOGUE		westernpower	
				TITLE		DRAWN: JRR		DATE: 22-04-2014	
				STREET LIGHT FEED		ORIGINATED:		SCALE: NTS	
				MINOR ROAD		CHECKED: REE		DRG. No.	
				WOOD POLE WITHOUT CROSSARM		APPROVED: GRANT STACY		REV. C	
								SL23	
REV	DATE	DESCRIPTION	DRG.	CHKD.	APRD.				
C	21.07.21	LED LUMINAIRE TYPE CHANGED	REE	CO	FK				
B	17.08.18	LED LUMINAIRE ADDED	REE	JC	FK				
A	08.08.01	ORIGINAL ISSUE							

CU	CU Description
-----------	-----------------------

Colour Temperature 4000K

SL23_1L Streetlight Feed - Minor road Wood pole without xarm_16W LED (equiv 42W CFL)					
ITEM NUMBER	STOCK CODE	DESCRIPTION	QTY REQD	UNIT OF MEASURE	REMARKS
1	CB0424	bracket	1		
2	HL6600	LED Luminaire with 8m cable	1		
2	HL5557	NEMA base PE Cell	1		
3	CB3020	universal bracket with nuts and bolts	1		
4	GF1804	Fuse holder with no fuse	1		
4	GF0925	10amp fuse	1		
5	CC0063	IPC - 16mm XLPE to 4mm conductor	2		
6	AB6732	pole bolt - 16 dia x 550lg with nuts& Washers	2		
7	EE1120	6mm copper xlpe	1	metres	

SL23_2L Streetlight Feed - Minor road Wood pole without xarm_53W LED (equiv 125W MV)					
ITEM NUMBER	STOCK CODE	DESCRIPTION	QTY REQD	UNIT OF MEASURE	REMARKS
1	CB0424	bracket	1		
2	HL6303	LED Luminaire with 8m cable	1		RoadGrace model
2	HL5557	NEMA base PE Cell	1		
3	CB3020	universal bracket with nuts and bolts	1		
4	GF1804	Fuse holder with no fuse	1		
4	GF0925	10amp fuse	1		
5	CC0063	IPC - 16mm XLPE to 4mm conductor	2		
6	AB6732	pole bolt - 16 dia x 550lg with nuts& Washers	2		
7	EE1120	6mm copper xlpe	1	metres	

SL23_3L Streetlight Feed - Minor road Wood pole without xarm_36W LED (equiv 70W MH & HPS)					
ITEM NUMBER	STOCK CODE	DESCRIPTION	QTY REQD	UNIT OF MEASURE	REMARKS
1	CB0424	bracket	1		
2	HL6306	LED Luminaire with 8m cable	1		RoadGrace model
2	HL5557	NEMA base PE Cell	1		
3	CB3020	universal bracket with nuts and bolts	1		
4	GF1804	Fuse holder with no fuse	1		
4	GF0925	10amp fuse	1		
5	CC0063	IPC - 16mm XLPE to 4mm conductor	2		
6	AB6732	pole bolt - 16 dia x 550lg with nuts& Washers	2		
7	EE1120	6mm copper xlpe	1	metres	

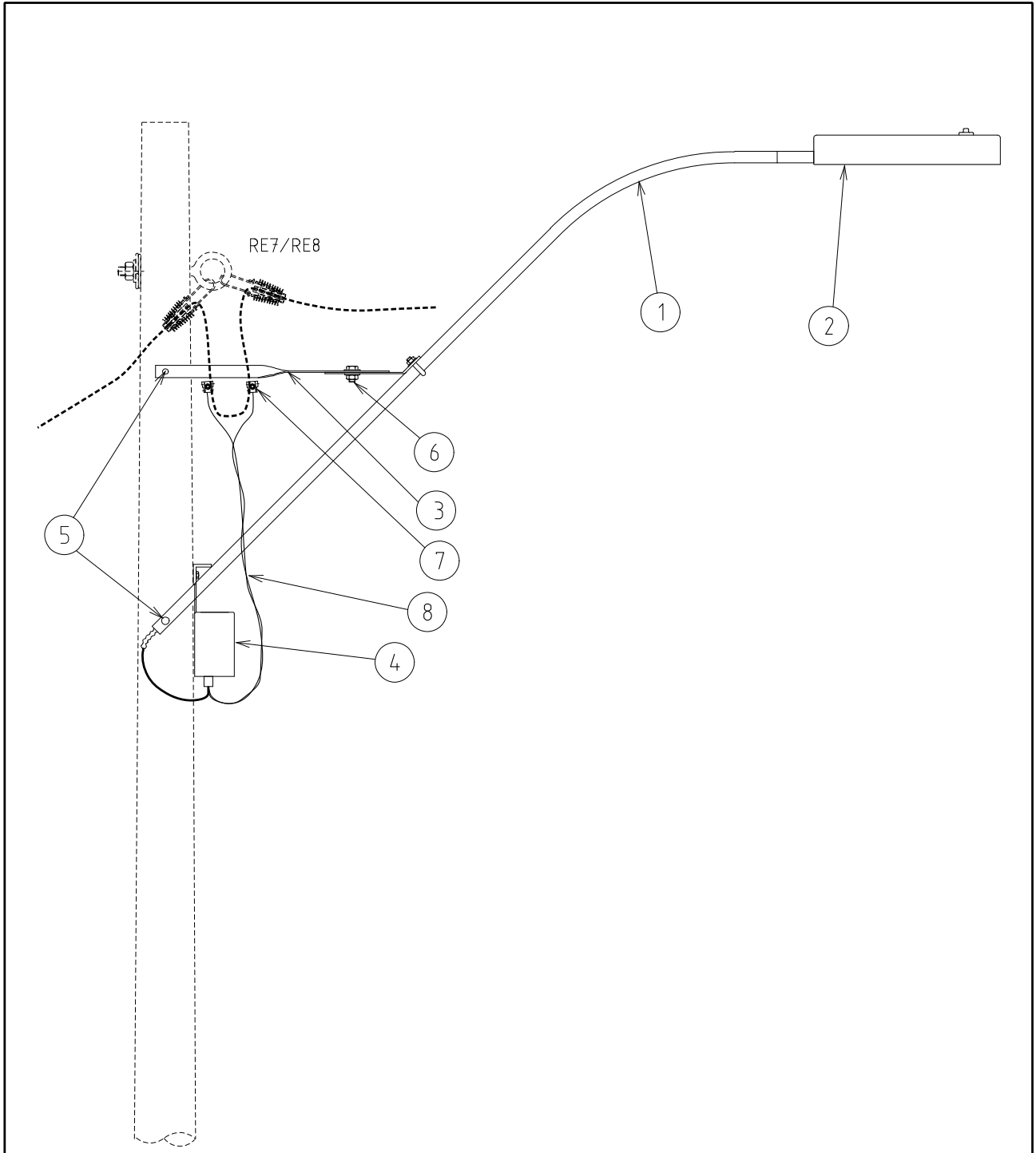
CU	CU Description
-----------	-----------------------

Colour Temperature 3000K

SL23_1E Streetlight Feed - Minor road Wood pole without xarm_16W LED (equiv 42W CFL)					
ITEM NUMBER	STOCK CODE	DESCRIPTION	QTY REQD	UNIT OF MEASURE	REMARKS
1	CB0424	bracket	1		
2	HL6601	LED Luminaire with 8m cable	1		
2	HL5557	NEMA base PE Cell	1		
3	CB3020	universal bracket with nuts and bolts	1		
4	GF1804	Fuse holder with no fuse	1		
4	GF0925	10amp fuse	1		
5	CC0063	IPC - 16mm XLPE to 4mm conductor	2		
6	AB6732	pole bolt - 16 dia x 550lg with nuts& Washers	2		
7	EE1120	6mm copper xlpe	1	metres	

SL23_2E Streetlight Feed - Minor road Wood pole without xarm_43W LED (equiv 125W MV)					
ITEM NUMBER	STOCK CODE	DESCRIPTION	QTY REQD	UNIT OF MEASURE	REMARKS
1	CB0424	bracket	1		
2	HL6604	LED Luminaire with 8m cable	1		
2	HL5557	NEMA base PE Cell	1		
3	CB3020	universal bracket with nuts and bolts	1		
4	GF1804	Fuse holder with no fuse	1		
4	GF0925	10amp fuse	1		
5	CC0063	IPC - 16mm XLPE to 4mm conductor	2		
6	AB6732	pole bolt - 16 dia x 550lg with nuts& Washers	2		
7	EE1120	6mm copper xlpe	1	metres	

SL23_3E Streetlight Feed - Minor road Wood pole without xarm_28W LED (equiv 70W MH & HPS)					
ITEM NUMBER	STOCK CODE	DESCRIPTION	QTY REQD	UNIT OF MEASURE	REMARKS
1	CB0424	bracket	1		
2	HL6607	LED Luminaire with 8m cable	1		
2	HL5557	NEMA base PE Cell	1		
3	CB3020	universal bracket with nuts and bolts	1		
4	GF1804	Fuse holder with no fuse	1		
4	GF0925	10amp fuse	1		
5	CC0063	IPC - 16mm XLPE to 4mm conductor	2		
6	AB6732	pole bolt - 16 dia x 550lg with nuts& Washers	2		
7	EE1120	6mm copper xlpe	1	metres	



- NOTES:-
1. IF MINOR ROAD LIGHTING IS TO BE FITTED TO ARTERIAL ROAD LAYOUT REFER TO SL18 FOR BRACKETS.
 2. REMOVE ARTERIAL ROAD LUMINAIRE AND REPLACE WITH MINOR ROAD LUMINAIRE REQUIREMENT.

				COMPATIBLE UNIT		DISTRIBUTION DESIGN CATALOGUE		westernpower	
				TITLE		DRAWN: JRR DATE: 22-04-2014 DRG. No.			
				STREET LIGHT FEED		ORIGINATED: SCALE: NTS		SL24	
				ARTERIAL ROAD		CHECKED: REE		REV. SHT.	
				WOOD POLE WITHOUT CROSSARM		APPROVED: GRANT STACY		B	
REV	DATE	DESCRIPTION	DRGD	CHKD	APRD				
B	17.08.18	LED LUMINAIRE ADDED		REE	JC	FK			
A	22.04.13	ORIGINAL ISSUE							

CU	CU Description
-----------	-----------------------

Colour Temperature 4000K

SL24_4L Streetlight Feed - Arterial road Wood pole without xarm_68W LED (equiv 150W HPS & MH)					
ITEM NUMBER	STOCK CODE	DESCRIPTION	QTY REQD	UNIT OF MEASURE	REMARKS
1	CB0278	bracket with nuts & bolts	1		
2	HL6609	LED Luminaire with 15m cable	1		
2	HL5557	NEMA base PE Cell	1		
3	CB0548	twisted bracket	2		
4	GF1804	Fuse holder with no fuse	1		
4	GF0925	10amp fuse	1		
5	AB6741	pole bolt - 12 dia supplied with nuts& Washers	2		
6	AB4551	12 dia bolt 40 long with nut	1		
7	CC0063	IPC - 16mm XLPE to 4mm conductor	2		
8	EE1120	6mm copper xlpe	2	metres	

SL24_5L Streetlight Feed - Arterial road Wood pole without xarm_135W LED (equiv 250W MH)					
ITEM NUMBER	STOCK CODE	DESCRIPTION	QTY REQD	UNIT OF MEASURE	REMARKS
1	CB0278	bracket with nuts & bolts	1		
2	HL6612	LED Luminaire with 15m cable	1		
2	HL5557	NEMA base PE Cell	1		
3	CB0548	twisted bracket	2		
4	GF1804	Fuse holder with no fuse	1		
4	GF0925	10amp fuse	1		
5	AB6741	pole bolt - 12 dia supplied with nuts& Washers	2		
6	AB4551	12 dia bolt 40 long with nut	1		
7	CC0063	IPC - 16mm XLPE to 4mm conductor	2		
8	EE1120	6mm copper xlpe	2	metres	

SL24_6L Streetlight Feed - Arterial road Wood pole without xarm_170W LED (equiv 250W HPS)					
ITEM NUMBER	STOCK CODE	DESCRIPTION	QTY REQD	UNIT OF MEASURE	REMARKS
1	CB0278	bracket with nuts & bolts	1		
2	HL6315	LED Luminaire with 15m cable	1		
2	HL5557	NEMA base PE Cell	1		
3	CB0548	twisted bracket	2		
4	GF1804	Fuse holder with no fuse	1		
4	GF0925	10amp fuse	1		
5	AB6741	pole bolt - 12 dia supplied with nuts& Washers	2		
6	AB4551	12 dia bolt 40 long with nut	1		
7	CC0063	IPC - 16mm XLPE to 4mm conductor	2		
8	EE1120	6mm copper xlpe	2	metres	

CU	CU Description
-----------	-----------------------

Colour Temperature 3000K

SL24_4E Streetlight Feed - Arterial road Wood pole without xarm_70W LED (equiv 150W HPS & MH)					
ITEM NUMBER	STOCK CODE	DESCRIPTION	QTY REQD	UNIT OF MEASURE	REMARKS
1	CB0278	bracket with nuts & bolts	1		
2	HL6610	LED Luminaire with 15m cable	1		
2	HL5557	NEMA base PE Cell	1		
3	CB0548	twisted bracket	2		
4	GF1804	Fuse holder with no fuse	1		
4	GF0925	10amp fuse	1		
5	AB6741	pole bolt - 12 dia supplied with nuts& Washers	2		
6	AB4551	12 dia bolt 40 long with nut	1		
7	CC0063	IPC - 16mm XLPE to 4mm conductor	2		
8	EE1120	6mm copper xlpe	2	metres	

SL24_5E Streetlight Feed - Arterial road Wood pole without xarm_160W LED (equiv 250W MH)					
ITEM NUMBER	STOCK CODE	DESCRIPTION	QTY REQD	UNIT OF MEASURE	REMARKS
1	CB0278	bracket with nuts & bolts	1		
2	HL6313	LED Luminaire with 15m cable	1		
2	HL5557	NEMA base PE Cell	1		
3	CB0548	twisted bracket	2		
4	GF1804	Fuse holder with no fuse	1		
4	GF0925	10amp fuse	1		
5	AB6741	pole bolt - 12 dia supplied with nuts& Washers	2		
6	AB4551	12 dia bolt 40 long with nut	1		
7	CC0063	IPC - 16mm XLPE to 4mm conductor	2		
8	EE1120	6mm copper xlpe	2	metres	

SL24_6E Streetlight Feed - Arterial road Wood pole without xarm_165W LED (equiv 250W HPS)					
ITEM NUMBER	STOCK CODE	DESCRIPTION	QTY REQD	UNIT OF MEASURE	REMARKS
1	CB0278	bracket with nuts & bolts	1		
2	HL6616	LED Luminaire with 15m cable	1		
2	HL5557	NEMA base PE Cell	1		
3	CB0548	twisted bracket	2		
4	GF1804	Fuse holder with no fuse	1		
4	GF0925	10amp fuse	1		
5	AB6741	pole bolt - 12 dia supplied with nuts& Washers	2		
6	AB4551	12 dia bolt 40 long with nut	1		
7	CC0063	IPC - 16mm XLPE to 4mm conductor	2		
8	EE1120	6mm copper xlpe	2	metres	