



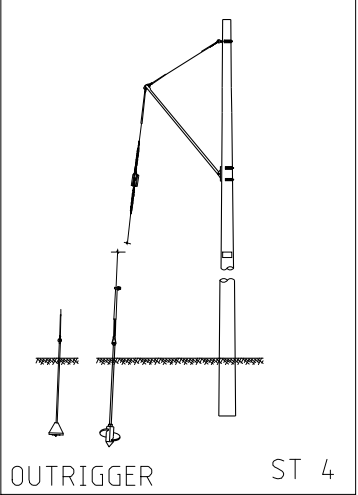
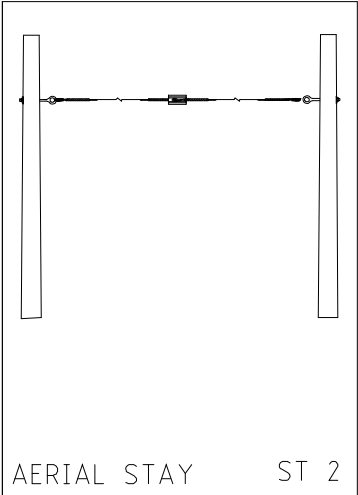
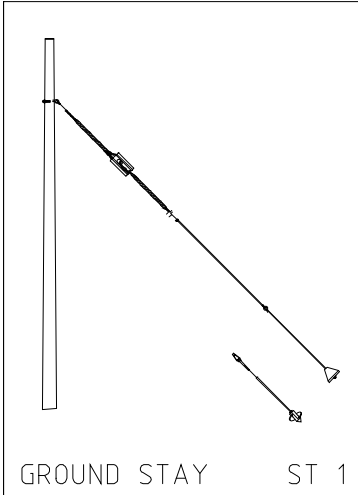
# **Distribution Design Catalogue**

## **Stays**

### Section 06

## ST Drawings Revision List

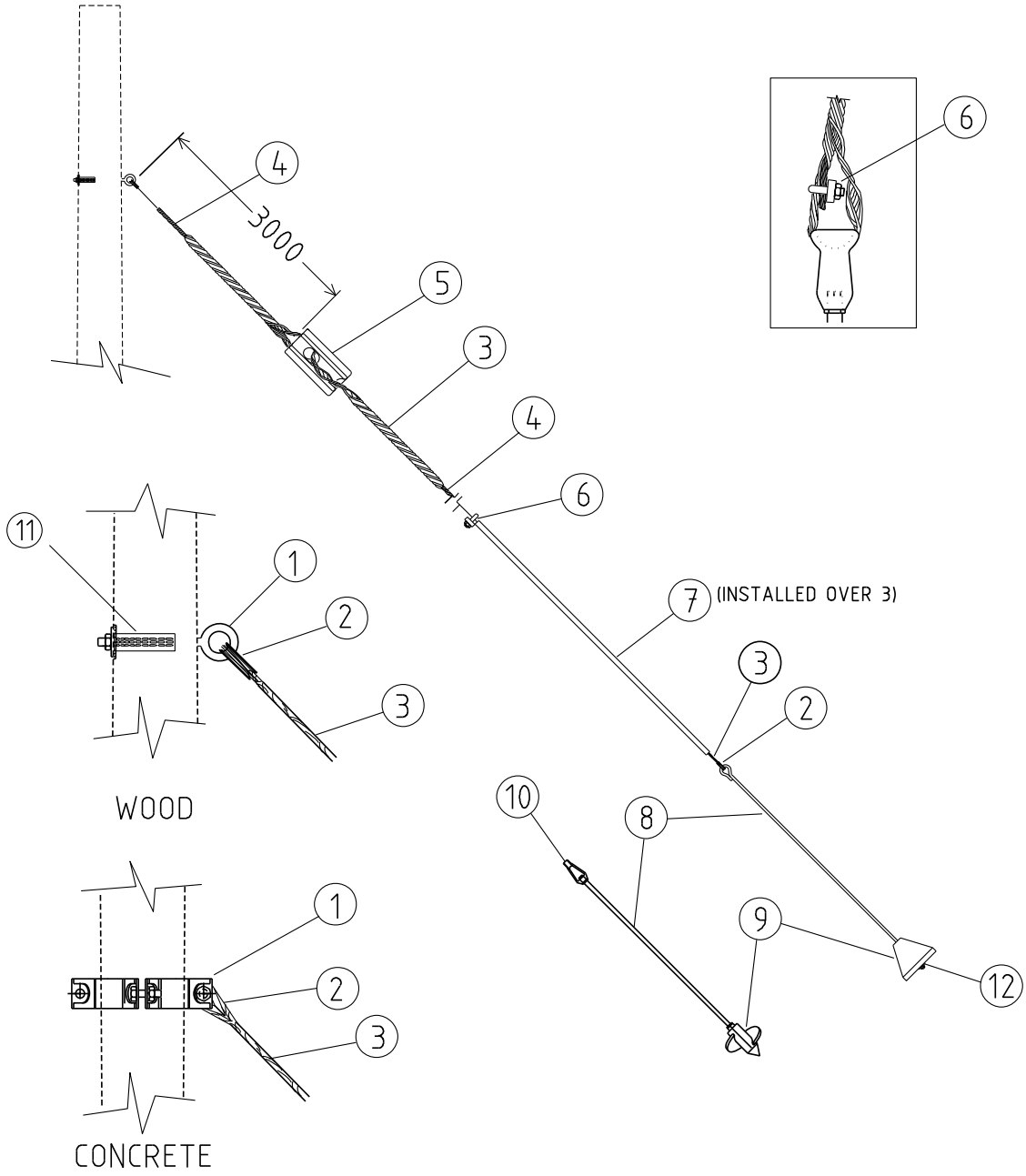
CU	DATE	REVISION	DESCRIPTION OF REVISION
	Sept 2002		Original Issue
	May 2004		Major Revision see Amendment List
	Jan 2009		See amendment list
	Feb 2009		See amendment list
	Nov 2009		See amendment list
	Dec 2009		Revised Format
	July 2015		See amendment list
	June 2016		See amendment list
	July 2017		See amendment list
	Nov 2017		See amendment list
	July 2018		See amendment list
	Feb 2019		See amendment list
	May 2022		See amendment list
	Sep 2022		See amendment list



				COMPATIBLE UNIT			DISTRIBUTION DESIGN CATALOGUE			
				TITLE			DRAWN: JRR DATE: 22-04-2014		DRG. No.	
				ST COMPATIBLE UNITS			ORIGINATED: AT SCALE: NTS		ST INDEX	
							CHECKED: REE		REV. ISHT.	
							APPROVED: GRANT STACY		C	
REV	DATE	DESCRIPTION	DRGD	CHKD	APRD					
C	16.06.15	FORMAT CHANGED & ST 5 & 6 DELETED		AT	REE	GS				
B	13.10.09	ORIGINAL ISSUE								

## Stays CU List

CU	CU DESCRIPTION
ST1_19/200C	Ground stay_19/2.00 concrete pole – screw anchor
ST1_19/275C	Ground stay_ 19/2.75 concrete pole – screw anchor
ST1_19/200W	Ground stay_ 19/2.00 wood pole – screw anchor
ST1_19/200WC	Ground stay_ 19/2.00 wood pole – concrete anchor
ST1_19/275W	Ground stay_ 19/2.75 wood pole – screw anchor
ST1_19/275WC	Ground stay_ 19/2.75 wood pole – concrete anchor
ST2_19/200C	Aerial stay_ 19/2.00 concrete pole
ST2_19/200W	Aerial stay_ 19/2.00 wood pole
ST2_19/200CW	Aerial stay_ 19/2.00 concrete pole to wood pole
ST4_19/200C	Outrigger stay 19/2.00_ concrete pole – screw anchor
ST4_19/275C	Outrigger stay 19/2.75_ concrete pole – screw anchor
ST4_19/200W	Outrigger stay 19/2.00_ wood pole – screw anchor
ST4_19/200WC	Outrigger stay 19/2.00_ wood pole – concrete anchor
ST4_19/275W	Outrigger stay 19/2.75_ wood pole – screw anchor
ST4_19/275WC	Outrigger stay 19/2.72_ wood pole – concrete anchor



- NOTES:-  
 1. ALL DIMENSIONS ARE IN MILLIMETRES.  
 2. IF THE STAY WIRE PASSES THROUGH L.V. MAINS THEN THE L.V. MAINS MUST BE CONSTRUCTED ON A 2100mm CROSSARM.

				COMPATIBLE UNIT		DISTRIBUTION DESIGN CATALOGUE		westernpower	
				TITLE		DRAWN: JRR DATE: 22-04-2014		DRG. No.	
				GROUND STAY		ORIGINATED: SCALE: NTS		ST01	
						CHECKED: REE		REV. SHT.	
						APPROVED: GRANT STACY		E	
REV	DATE	DESCRIPTION	DRG	CHKD	APRD				
E	20 10 17	FOOT NOTE ABOUT STAY EARTHING DELETED	BP	JC	GS				
D	26 10 10	ORIGINAL ISSUE							



CU	CU Description
----	----------------

ST1_19/200C		Ground stay 19/2.00_ concrete pole – screw anchor			
ITEM NUMBER	STOCK CODE	DESCRIPTION	QTY ROD	UNIT OF MEASURE	REMARKS
1	CB3041	stay clamp conc pole with bolts	1	ea	
2	OT0064	rope thimble 20mm	1	ea	
3	CF0664	helical termination steel 19/2.00	4	ea	
4	ES0062	stay wire 19/2.00, 15m coil	1	ea	
5	IA0053	stay insulator	1	ea	
6	OG0352	wire rope grip	2	ea	
7	CG0005	UPVC stay protector	1	ea	
8	CA0151	rod anchor 1"	1	ea	
9	CA0027	screw anchor 200mm diam.	1	ea	
10	CA9050	thimble eye nut	1	ea	

ST1_19/275C		Ground stay 19/2.75_ concrete pole – screw anchor			
ITEM NUMBER	STOCK CODE	DESCRIPTION	QTY ROD	UNIT OF MEASURE	REMARKS
1	CB3041	stay clamp conc pole with bolts	1	ea	
2	OT0064	rope thimble 20mm	1	ea	
3	CF0662	helical termination steel 19/2.75	4	ea	
4	ES0061	stay wire 19/2.75, 15m coil	1	ea	
5	IA0053	stay insulator	1	ea	
6	OG0352	wire rope grip	2	ea	
7	CG0005	UPVC stay protector	1	ea	
8	CA0151	rod anchor 1"	1	ea	
9	CA0029	screw anchor 300mm diam.	1	ea	
10	CA9050	thimble eye nut	1	ea	

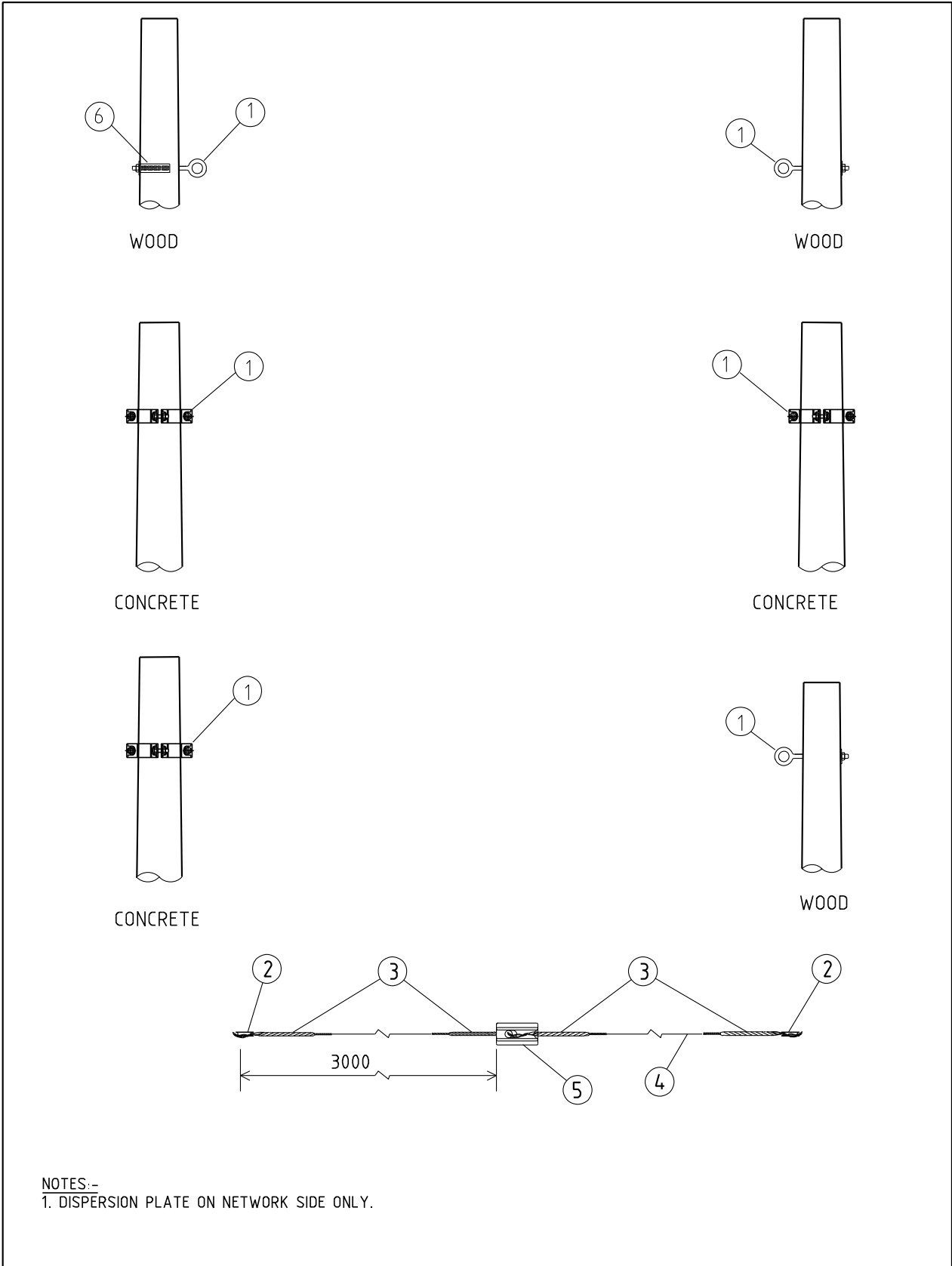
ST1_19/200W		Ground stay 19/2.00_ wood pole – screw anchor			
ITEM NUMBER	STOCK CODE	DESCRIPTION	QTY ROD	UNIT OF MEASURE	REMARKS
1	AB6039	eyebolt 20dia x 400 lg with nut and washer	1	ea	
2	OT0064	rope thimble 20mm	1	ea	
3	CF0664	helical termination steel 19/2.00	4	ea	
4	ES0062	stay wire 19/2.00, 15m coil	1	ea	
5	IA0053	stay insulator	1	ea	
6	OG0352	wire rope grip	2	ea	
7	CG0005	UPVC stay protector	1	ea	
8	CA0151	rod anchor 1"	1	ea	
9	CA0027	screw anchor 200mm diam.	1	ea	
10	CA9050	thimble eye nut	1	ea	
11	CE7541	dispersion plate	1	ea	

CU	CU Description
----	----------------

ST1_19/200WC		Ground stay 19/2.00_ wood pole - concrete anchor			
ITEM NUMBER	STOCK CODE	DESCRIPTION	QTY ROD	UNIT OF MEASURE	REMARKS
1	AB6039	eyebolt 20dia x 400 lg with nut and washer	1	ea	
2	OT0064	rope thimble 20mm	2	ea	
3	CF0664	helical termination steel 19/2.00	4	ea	
4	ES0062	stay wire 19/2.00, 15m coil	1	ea	
5	IA0053	stay insulator	1	ea	
6	OG0352	wire rope grip	2	ea	
7	CG0005	UPVC stay protector	1	ea	
8	CS0436	eye bolt 2400mm lg 24mm diam	1	ea	
9	CA0006	concrete anchor 480mm diam.	1	ea	
11	CE7541	dispersion plate	1	ea	
12	AW3582	150mm sq flat washer M24	1	ea	

ST1_19/275W		Ground stay 19/2.75_ wood pole – screw anchor			
ITEM NUMBER	STOCK CODE	DESCRIPTION	QTY ROD	UNIT OF MEASURE	REMARKS
1	AB6039	eyebolt 20dia x 400 lg with nut and washer	1	ea	
2	OT0064	rope thimble 20mm	1	ea	
3	CF0662	helical termination steel 19/2.75	4	ea	
4	ES0061	stay wire 19/2.75, 15m coil	1	ea	
5	IA0053	stay insulator	1	ea	
6	OG0352	wire rope grip	2	ea	
7	CG0005	UPVC stay protector	1	ea	
8	CA0151	rod anchor 1"	1	ea	
9	CA0029	screw anchor 300m diam.	1	ea	
10	CA9050	thimble eye nut	1	ea	
11	CE7541	dispersion plate	1	ea	

ST1_19/275WC		Ground stay 19/2.75_ wood pole – concrete anchor			
ITEM NUMBER	STOCK CODE	DESCRIPTION	QTY ROD	UNIT OF MEASURE	REMARKS
1	AB6039	eyebolt 20dia x 400 lg with nut and washer	1	ea	
2	OT0064	rope thimble 20mm	2	ea	
3	CF0662	helical termination steel 19/2.75	4	ea	
4	ES0061	stay wire 19/2.75, 15m coil	1	ea	
5	IA0053	stay insulator	1	ea	
6	OG0352	wire rope grip	2	ea	
7	CG0005	UPVC stay protector	1	ea	
8	CS0436	eye bolt 2400mm lg 24mm diam	1	ea	
9	CA0006	concrete anchor 480mm diam.	1	ea	
11	CE7541	dispersion plate	1	ea	
12	AW3582	150mm sq flat washer M24	1	ea	



				COMPATIBLE UNIT		DISTRIBUTION DESIGN CATALOGUE			
				TITLE		DRAWN: JRR DATE: 22-04-2014 DRG. No.			
				AERIAL STAY		ORIGINATED: SCALE: NTS		ST02	
						CHECKED: REE		REV. C	
						APPROVED: GRANT STACY		SHT.	
REV	DATE	ORIGINAL ISSUE	DESCRIPTION	DRG.	CHKD.	APRD.			
C	05.07.17	NOTES REVEISED		JC	REE	GS			
B	17.06.16	CONCRETE POLE TO WOOD POLE STAY DETAILS ADDED		JC	REE	GS			
A	06.11.09	ORIGINAL ISSUE							

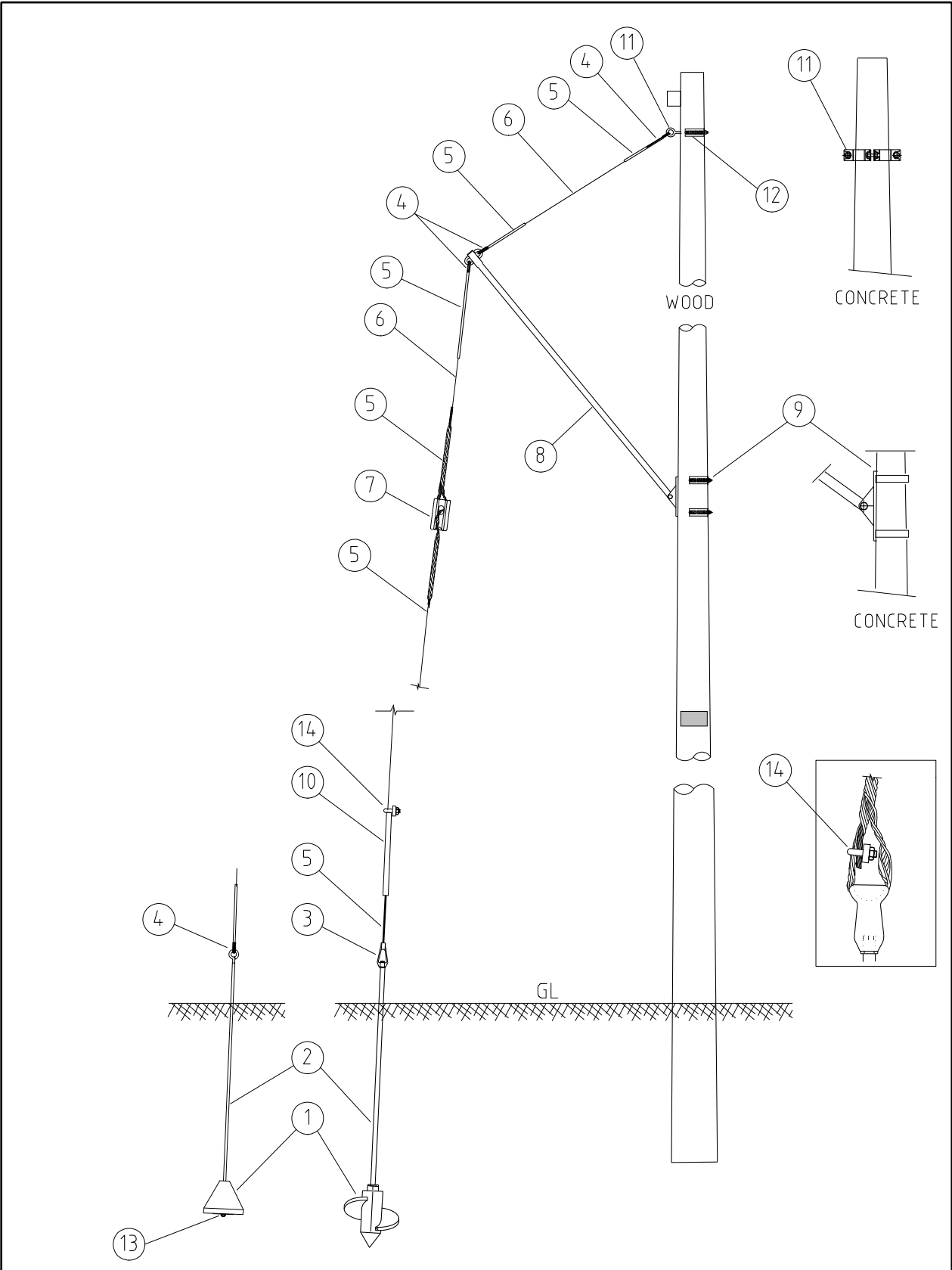


CU	CU Description
----	----------------

ST2_19/200C		Aerial stay 19/2.00_ concrete pole			
ITEM NUMBER	STOCK CODE	DESCRIPTION	QTY ROD	UNIT OF MEASURE	REMARKS
1	CB3041	stay clamp conc pole with bolts	2	ea	
2	OT0064	rope thimble	2	ea	
3	CF0664	helical termination steel 19/2.00	4	ea	
4	ES0062	stay wire 19/2.00, 15m coil	2	ea	
5	IA0053	stay insulator	1	ea	

ST2_19/200W		Aerial stay 19/2.00_ wood pole			
ITEM NUMBER	STOCK CODE	DESCRIPTION	QTY ROD	UNIT OF MEASURE	REMARKS
1	AB6039	eyebolt 20dia x 400 lg with nut and washer	2	ea	
2	OT0064	rope thimble	2	ea	
3	CF0664	helical termination steel 19/2.00	4	ea	
4	ES0062	stay wire 19/2.00, 15m coil	2	ea	
5	IA0053	stay insulator	1	ea	
6	CE7541	dispersion plate	1	ea	

ST2_19/200CW		Aerial stay 19/2.00_ concrete pole to wood pole			
ITEM NUMBER	STOCK CODE	DESCRIPTION	QTY ROD	UNIT OF MEASURE	REMARKS
1	AB6039	eyebolt 20dia x 400 lg with nut and washer	1	ea	
1	CB3041	stay clamp conc pole with bolts	1	ea	
2	OT0064	rope thimble	2	ea	
3	CF0664	helical termination steel 19/2.00	4	ea	
4	ES0062	stay wire 19/2.00, 15m coil	2	ea	
5	IA0053	stay insulator	1	ea	



				COMPATIBLE UNIT		DISTRIBUTION DESIGN CATALOGUE			
				TITLE		DRAWN: JRR DATE: 22-04-2014 DRG. No.		ST04	
				OUTRIGGER STAY		ORIGINATED: SCALE: NTS			
						CHECKED: AT		REV. F	
						APPROVED: GRANT STACY		SHT.	
REV	DATE	DESCRIPTION	DRG	CHKD	APRD				
F	16.06.15	FORMAT CHANGED AND REDRAWN		AT	DVT				
E	01.10.10	ORIGINAL ISSUE			GS				



CU	CU Description
----	----------------

ST4_19/200C		Outrigger stay 19/2.00_ concrete pole – screw anchor			
ITEM NUMBER	STOCK CODE	DESCRIPTION	QTY ROD	UNIT OF MEASURE	REMARKS
1	CA0027	screw anchor 200mm diam.	1	ea	
2	CA0151	rod anchor 1"	1	ea	
3	CA9050	thimble eye nut	1	ea	
4	OT0064	rope thimble 20mm	3	ea	
5	CF0664	helical termination steel 19/2.00	6	ea	
6	ES0062	stay wire 19/2.00, 15m coil	1	ea	
7	IA0053	stay insulator	1	ea	
8	CB0476	outrigger bracket	1	ea	
9	FM0900	outrigger clamp	2	ea	
10	CG0003	UPVC stay protector helical split style	1	ea	
11	CB3041	stay clamp conc pole with bolts	1	ea	
14	OG0352	wire rope grip	2	ea	

ST4_19/275C		Outrigger stay 19/2.75_ concrete pole – screw anchor			
ITEM NUMBER	STOCK CODE	DESCRIPTION	QTY ROD	UNIT OF MEASURE	REMARKS
1	CA0029	screw anchor 300mm diam.	1	ea	
2	CA0151	rod anchor 1"	1	ea	
3	CA9050	thimble eye nut	1	ea	
4	OT0064	rope thimble 20mm	3	ea	
5	CF0662	helical termination steel 19/2.75	6	ea	
6	ES0061	stay wire 19/2.75, 15m coil	1	ea	
7	IA0053	stay insulator	1	ea	
8	CB0476	outrigger bracket	1	ea	
9	FM0900	outrigger clamp	2	ea	
10	CG0003	UPVC stay protector helical split style	1	ea	
11	CB3041	stay clamp conc pole with bolts	1	ea	
14	OG0352	wire rope grip	2	ea	

CU	CU Description
----	----------------

ST4_19/200W		Outrigger stay 19/2.00_ wood pole – screw anchor			
ITEM NUMBER	STOCK CODE	DESCRIPTION	QTY ROD	UNIT OF MEASURE	REMARKS
1	CA0027	screw anchor 200mm diam.	1	ea	
2	CA0151	rod anchor 1"	1	ea	
3	CA9050	thimble eye nut	1	ea	
4	OT0064	rope thimble 20mm	3	ea	
5	CF0664	helical termination steel 19/2.00	6	ea	
6	ES0062	stay wire 19/2.00, 15m coil	1	ea	
7	IA0053	stay insulator	1	ea	
8	CB0476	outrigger bracket	1	ea	
9	AB6737	pole bolt 400mm lg M20	2	ea	
10	CG0003	UPVC stay protector helical split style	1	ea	
11	AB6039	eyebolt 20dia x 400 lg with nut and washer	1	ea	
12	CE7541	dispersion plate	1	ea	
14	OG0352	wire rope grip	2	ea	

ST4_19/200WC		Outrigger stay 19/2.00_ wood pole – concrete anchor			
ITEM NUMBER	STOCK CODE	DESCRIPTION	QTY ROD	UNIT OF MEASURE	REMARKS
1	CA0006	concrete anchor 480mm diam.	1	ea	
2	CS0436	eye bolt 2400mm lg 24mm diam	1	ea	
4	OT0064	rope thimble 20mm	4	ea	
5	CF0664	helical termination steel 19/2.00	6	ea	
6	ES0062	stay wire 19/2.00, 15m coil	1	ea	
7	IA0053	stay insulator	1	ea	
8	CB0476	outrigger bracket	1	ea	
9	AB6737	pole bolt 400mm lg M20	2	ea	
10	CG0003	UPVC stay protector helical split style	1	ea	
11	AB6039	eyebolt 20dia x 400 lg with nut and washer	1	ea	
12	CE7541	dispersion plate	1	ea	
13	AW3582	150mm sq flat washer M24	1	ea	
14	OG0352	wire rope grip	2	ea	

CU	CU Description
----	----------------

ST4_19/275W		Outrigger stay 19/2.75_ wood pole – screw anchor			
ITEM NUMBER	STOCK CODE	DESCRIPTION	QTY ROD	UNIT OF MEASURE	REMARKS
1	CA0029	screw anchor 300mm diam.	1	ea	
2	CA0151	rod anchor 1"	1	ea	
3	CA9050	thimble eye nut	1	ea	
4	OT0064	rope thimble 20mm	3	ea	
5	CF0662	helical termination steel 19/2.75	6	ea	
6	ES0061	stay wire 19/2.75, 15m coil	1	ea	
7	IA0053	stay insulator	1	ea	
8	CB0476	outrigger bracket	1	ea	
9	AB6737	pole bolt 400mm lg M20	2	ea	
10	CG0003	UPVC stay protector helical split style	1	ea	
11	AB6039	eyebolt 20dia x 400 lg with nut and washer	1	ea	
12	CE7541	dispersion plate	1	ea	
14	OG0352	wire rope grip	2	ea	

ST4_19/275WC		Outrigger stay 19/2.75_ wood pole – concrete anchor			
ITEM NUMBER	STOCK CODE	DESCRIPTION	QTY ROD	UNIT OF MEASURE	REMARKS
1	CA0006	concrete anchor 480mm diam.	1	ea	
2	CS0436	eye bolt 2400mm lg 24mm diam	1	ea	
4	OT0064	rope thimble 20mm	4	ea	
5	CF0662	helical termination steel 19/2.75	6	ea	
6	ES0061	stay wire 19/2.75, 15m coil	1	ea	
7	IA0053	stay insulator	1	ea	
8	CB0476	outrigger bracket	1	ea	
9	AB6737	pole bolt 400mm lg M20	2	ea	
10	CG0003	UPVC stay protector helical split style	1	ea	
11	AB6039	eyebolt 20dia x 400 lg with nut and washer	1	ea	
12	CE7541	dispersion plate	1	ea	
13	AW3582	150mm sq flat washer M24	1	ea	
14	OG0352	wire rope grip	2	ea	