



Distribution Design Catalogue

High Voltage Underground

Section 10 (HU)



Revision List

For drawing revisions please refer to the DDC Amendment list EDM# 24803827

General Notes

NOTE #	DESCRIPTION
1	Driving point is not required for normal ground conditions including small coffee rocks and shale. For harder ground condition, a driving point is recommended. (It is unlikely the driving point will be suitable for granite rock)
2	Expulsion Dropout Fuse (EDO) base and links as well as K-Mate fuse current limiters are not included in CUs but listed in HV51. Fault Tamer fuse base and links are listed in HV52. Fault Tamer fuse are not to be used on 33kV networks and have a maximum rating of 20A. EDOs are used on 33kV networks and for current rating greater than 20A.
3	For the physical dimension tables the uppermost king bolt / eye bolt is the reference point with coordinates X=0.0, Y=0.0 (Datum)
4	The conductor location in the Y axis of the physical dimension tables lists the height of the conductor on the top of the post insulator above the datum. This dimension has been rounded down taking equipment differences, manufacturing tolerances and installation variations into account. On angle structures, where the conductor is attached to the side of the insulator head the conductor is located marginally lower than if located on the top of the insulator. No adjustment is considered necessary to the Y dimension in these cases.
5	For conductor clashing calculation, apply the correct Y dimension which may differ from that listed in the dimension table which is used for ground clearance simulation purposes. E.g. HV09 RHS span (centre to outer phase) Ydim to be 230mm and not 310mm.
6	HV isolators to be selected according to HV53.

NOTE #	DESCRIPTION
1	Driving point for earth rod is not required for normal ground conditions including small coffee rocks and shale. For harder ground condition, a driving point is recommended. (It is unlikely the driving point will be suitable for granite rock)

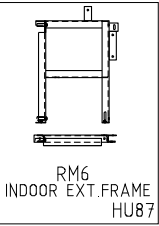
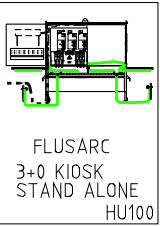
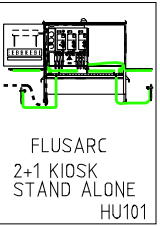
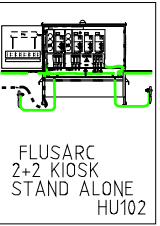
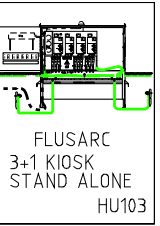
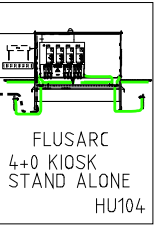
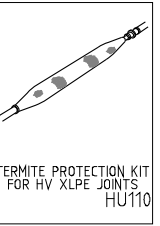
© Copyright of Western Power

Any use of this material except in accordance with a written agreement with Western Power is prohibited.

 1 CORE - 22kV 25 to 95 185 to 400 HU1	 3 CORE 25 to 95 22kV 185 to 400 22kV 185 33kV HU2	 HV CABLE END SEAL 35-150 & 185-400mm ² HU3	 OUTDOOR SG 3+0 KIOSK HU5	 OUTDOOR SG 2+1 KIOSK HU6	 OUTDOOR SG 2+2 KIOSK HU7	 OUTDOOR SG 3+1 KIOSK HU8
 OUTDOOR SG 4+0 KIOSK HU9	 400 XLPE HU16	 185 XLPE HU18	 35 XLPE HU19	 50 XLPE HU20	 240 XLPE HU21	 RM6 INDOOR SWITCHGEAR 3+1 HU22
 RM6 INDOOR SWITCHGEAR 2+1 HU23	 RM6 INDOOR SWITCHGEAR 2+2 HU24	 RM6 INDOOR SWITCHGEAR 2+3 & 3+2 HU25	 315kVA SPUDS TRANSFORMER HU27	 50 PILSWA TO 35 XLPE HU28	 22kV 185/240 PILCSWA TO 185-400 XLPE HU29	 11kV 185-300 PILCSWA TO 185-400 XLPE HU30
 SPUD Tx 2 BUSHING HU31	 SPUD Tx 3 BUSHING HU34	 SPUD Tx 4 BUSHING HU35	 HV METERING HU40	 HRC FUSES HU55	 50mm ² XLPE 3x1 HU56	 35 1C XLPE HU57
 315, 630 & 1000kVA NON MPS DISTRICT HU59	 315, 630 & 1000kVA NON MPS SOLE HU60	 MPS 315 & 630 HU61	 FEEDER TERMINATION ELBOW CONNECTOR HU62	 630A ELBOWS HU65	 200A ELBOWS HU66	 R W B DEAD END RECEPTACLES HU67
 NON MPS Tx CABLE GUARD HU68	 BREECH JOINT HU71	 SPURS STRAIGHT JOINT 35 X 1C HU72	 SPUDS Tx BASE HU75	 MPS / NON MPS CULVERT-BASE HU76	 SPUDS Tx ARRESTER ELBOW HU77	 SWITCH DISCONNECTOR HU78
 FUSE SWITCH HU79	 OUTDOOR SWITCHGEAR 2+3 5WAY HU80	 OUTDOOR SWITCHGEAR 3+2 5WAY HU81	 Tx. 63kVA 3PH 6 BUSHING HU82	 HV METER UNIT HU84	 50 1C XLPE HU85	 RM6 BUS DISCONNECTOR HU86

				COMPATIBLE UNIT				DISTRIBUTION DESIGN CATALOGUE			
R	30 08 22	HU17 DELETED	CO	NMc	GS	TITLE	DRAWN	JRR	DATE	01-04-2014	DRG No
Q	27 10 21	HU63 & HU64 DELETED AND REARRANGED	CO	REE	GS		ORIGINATED		SCALE	NTS	
P	01 03 18	ITEM HU13 & 14 DELETED AND REARRANGED	JC	REE	GS		CHECKED	REE			
O	24 07 15	ITEM HU3 REVISED			GS		APPROVED				
N	29 05 14	ITEM HU77 REVISED			GS				GRANT	STACY	REV
REV	DATE	DESCRIPTION	ORGD	CHKD	APRO						SHIT
											R
											1/2

HU COMPATIBLE UNITS

				COMPATIBLE UNIT			DISTRIBUTION DESIGN CATALOGUE				
				TITLE			DRAWN: JRR		DATE: 01-04-2014		DRG. No.
				HU COMPATIBLE UNITS			ORIGINATED:		SCALE: NTS		HU INDEX
							CHECKED: REE				REV. K
							APPROVED: GRANT STACY				SHT. 2/2
REV	DATE	DESCRIPTION	DRG.	CHKD.	APRD.						

High Voltage Underground CU List

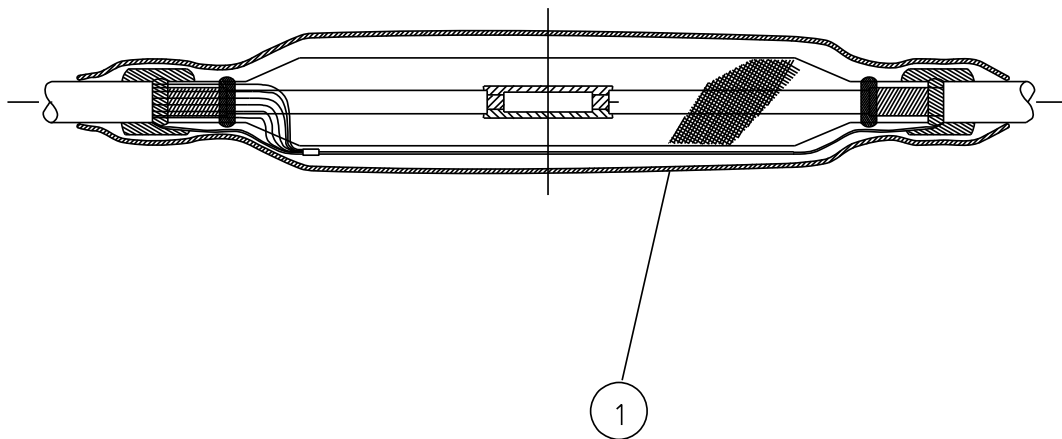
CU	CU DESCRIPTION
HU1_22_95	Straight joint – 25 to 95 only 1 x 1 core, 22kV
HU1_22_400	Straight joint – 185-400 1 x 1 core, 22kV
HU2_22_95	Straight joint – 25 to 95 only 3 x 1 core, 22kV
HU2_22_400	Straight joint – 185-400 3 x 1 core, 22kV
HU2_33	Straight joint – 185 – 3 x 1 core, 33kV
HU3_22_35	22kV Cable Live End Seal for XLPE -35-150 3X1 Core
HU3_22_400	22kV Cable Live End Seal for XLPE -185-400 3X1 Core
HU3_33_50	33kV Cable Live End Seal for XLPE -50-150 3X1 Core
HU3_33_185	33kV Cable Live End Seal for XLPE -185-240 3X1 Core
HU5_M400	Manual, Switchgear Kiosk 3+0 – 400mm ² cable, 22kV
HU5_A400	Automatable, Switchgear Kiosk RE 3+0 – 400mm ² cable, 22kV
HU6_M400	Manual Switchgear Kiosk 2+1 – 400mm ² cable, 22kV
HU6_A400	Automatable, Switchgear Kiosk RE 2+1 – 400mm ² cable, 22kV
HU7_M400	Manual, switchgear Kiosk 2+2 – 400mm ² cable, 22kV
HU7_A400	Automatable, Switchgear Kiosk RE 2+2 – 400mm ² cable, 22kV
HU8_M400	Manual, switchgear Kiosk 3+1 – 400mm ² cable, 22kV
HU8_A400	Automatable, Switchgear Kiosk RE 3+1 – 400mm ² cable, 22kV
HU9_M400	Manual, Switchgear Kiosk 4+0 – 400mm ² cable, 22kV
HU9_A400	Automatable, Switchgear Kiosk RE 4+0 – 400mm ² cable, 22kV
HU16_O	Aerial cable termination – 400 – 3 x 1c
HU16_U_6	Cable frame termination – 400 – 3 x 1c 6.6kV
HU16_U_11	Cable frame termination – 400 – 3 x 1c 11kV
HU16_U_22	Cable frame termination – 400 – 3 x 1c 22kV
HU17_O	Aerial cable termination –95-3 x 1c
HU17_U_6	Cable frame termination –95-3 x 1c 6.6kV
HU17_U_11	Cable frame termination –95-3 x 1c 11kV
HU17_U_22	Cable frame termination –95-3 x 1c 22kV
HU18_O	Aerial cable termination –185-3 x 1c
HU18_U_6	Cable frame termination –185-3 x 1c 6.6kV
HU18_U_11	Cable frame termination –185-3 x 1c 11kV
HU18_U_22	Cable frame termination –185-3 x 1c 22kV
HU18_U_33	Cable frame termination –185-3 x 1c 33kV
HU18_O_33	Aerial Cable termination –185-3 x 1c 33kV
HU19_O	Aerial cable termination –35-3 x 1c
HU19_U_6	Cable frame termination –35-3 x 1c 6.6kV
HU19_U_11	Cable frame termination –35-3 x 1c 11kV
HU19_U_22	Cable frame termination –35-3 x 1c 22kV
HU20_O	Aerial cable termination –50-3 x 1c
HU20_U_33	Cable frame termination –50-3 x 1c 33kV
HU21_O	Aerial cable termination –240-3 x 1c
HU21_U_6	Cable frame termination –240-3 x 1c 6.6kV
HU21_U_11	Cable frame termination –240-3 x 1c 11kV
HU21_U_22	Cable frame termination –240-3 x 1c 22kV
HU22_M400	Manual Switchgear indoor 3+1 RE – 400mm ² cable, 22kV
HU22_A400	Automatable, Switchgear indoor 3+1 RE – 400mm ² cable, 22kV
HU23_M400	Manual Switchgear Indoor 2+1 RE – 400mm ² cable, 22kV

CU	CU DESCRIPTION
HU23_A400	Automatable, Switchgear Indoor 2+1 RE – 400mm ² cable, 22kV
HU24_M400	Manual Switchgear Indoor 2+2 RE – 400mm ² cable, 22kV
HU24_A400	Automatable, Switchgear Indoor 2+2 RE – 400mm ² cable, 22kV
HU25_2S_400	Manual Switchgear Indoor 2+3 RE – 400mm ² cable, 22kV
HU25_2S_A400	Automatable, Switchgear Indoor 2+3 RE – 400mm ² cable, 22kV
HU25_3S_400	Manual Switchgear Indoor 3+2 RE – 400mm ² cable, 22kV
HU25_3S_A400	Automatable, Switchgear Indoor 3+2 RE – 400mm ² cable, 22kV
HU27_315/22	(New) SPUDS Isolation tx 315/22kV
HU28	Transition joint – 50 pil to 35-3 x 1c
HU29	Transition joint for 22kV cable 185-240 pilcswa – 185-400 xlpe 3 x 1c
HU30_400	Transition joint for 11kV cable 185-240 pilcswa – 185-400 xlpe 3 x 1c
HU31_M25/22	(New) Metro 25kVA/12.7kV Single TX Installation
HU31_R25/22	(New) Rural, 25kVA/12.7kV Single TX Installation
HU31_M50/22	(New) Metro 50kVA/12.7kV Single TX Installation
HU31_R50/22	(New) Rural, 50kVA/12.7kV Single TX Installation
HU31_R50/22T	(New) Rural, 50kVA/12.7kV Twin TX Installation
HU31_R50/33	(New) Rural, 50kVA/19.1kV Single TX Installation
HU31_R50/33T	(New) Rural, 50kVA/19.1kV Twin TX Installation
HU34_25/22	(New) SPUDS tx 1ph 3bush 25kVA/22kV
HU35_M25/22	(New) SPUDS tx 1ph 4bush 25kVA/22kV
HU35_R25/22	(New) SPUDS tx 1ph 4bush 25kVA/22kV
HU35_M50/22	(New) SPUDS tx 1ph 4bush 25kVA/22kV
HU35_R50/22	(New) SPUDS tx 1ph 4bush 25kVA/22kV
HU40_11	Metering unit 11kV
HU40_22	Metering unit 22kV
HU55_160/6	Fuse cartridge and fuse extender HRC 31.5 A 160kVA / 6kV
HU55_315/6	Fuse cartridge and fuse extender HRC 50 A 315kVA / 6kV
HU55_500/6	Fuse cartridge and fuse extender HRC 80 A 500kVA / 6kV
HU55_630/6	Fuse cartridge and fuse extender HRC 100 A 630kVA / 6kV
HU55_1000/6	Fuse cartridge and fuse extender HRC 125 A 1000kVA / 6kV
HU55_160/11	Fuse cartridge and fuse extender HRC 25 A 160kVA / 11kV-
HU55_315/11	Fuse cartridge and fuse extender HRC 31.5 A 315kVA / 11kV
HU55_500/11	Fuse cartridge and fuse extender HRC 40 A 500kVA / 11kV
HU55_630/11	Fuse cartridge and fuse extender HRC 50 A 630kVA / 11kV
HU55_1000/11	Fuse cartridge and fuse extender HRC 80 A 1000kVA / 11kV
HU55_160/22	Fuse cartridge HRC 10 A 160kVA / 22kV
HU55_315/22	Fuse cartridge HRC 16 A 315kVA / 22kV
HU55_500/22	Fuse cartridge HRC 25 A 500kVA / 22kV
HU55_630/22	Fuse cartridge HRC 31.5 A 630kVA / 22kV
HU55_1000/22	Fuse cartridge HRC 40 A 1000kVA / 22kV
HU55_160/33	Fuse cartridge HRC 6.3 A 63kVA & 160kVA / 33kV
HU55_315/33	Fuse cartridge HRC 16 A 315kVA / 33kV
HU55_500/33	Fuse cartridge HRC 20 A 500kVA & 630kVA / 33kV
HU55_1000/33	Fuse cartridge HRC 40 A 1000kVA / 33kV
HU55_2x630/1	Fuse cartridge HRC 160 A 630kVA/11kV x 2
HU55_2x630/2	Fuse cartridge HRC 63 A 630kVA/22kV x 2
HU56	Straight joint – 50-3 x 1 core
HU57_O	Aerial cable termination–35-1 x 1c 22kV

CU	CU DESCRIPTION
HU57_U	Cable frame termination–35-1 x 1c 22kV
HU59_31511	Non MPS District Inside 315/6-11kV
HU59_63011	Non MPS District Inside 630/6-11kV
HU59_10001	Non MPS District Inside 1000/6-11kV
HU59_31522	Non MPS District Inside 315/22 kV
HU59_63022	Non MPS District Inside 630/22 kV
HU59_10002	Non MPS District Inside 1000/22 kV
HU59_31533	(New) Non MPS District inside 315/33/kV
HU59_63033	(New) Non MPS District inside 630/33/kV
HU59_100033	(New) Non MPS District inside 1000/33/kV
HU59_315/11	Non MPS District Outside 315/6-11kV
HU59_630/11	Non MPS District Outside 630/6-11kV
HU59_100011	Non MPS District Outside 1000/6-11kV
HU59_630/22	Non MPS District Outside 630/22kV
HU59_315/22	Non MPS District Outside 315/22kV
HU59_100022	Non MPS District Outside 1000/22kV
HU59_315/33	(New) Non MPS District Outside 315/33kV
HU59_630/33	(New) Non MPS District Outside 630/33/kV
HU59_1000/33	(New) Non MPS District Outside 1000/33/kV
HU60_31511	Non MPS Sole Use Inside 315/6-11kV
HU60_63011	Non MPS Sole Use Inside 630/6-11kV
HU60_100011	Non MPS Sole Use Inside 1000/6-11kV
HU60_31522	Non MPS Sole Use Inside 315/22 kV
HU60_63022	Non MPS Sole Use Inside 630/22 kV
HU60_100022	Non MPS Sole Use Inside 1000/22 kV
HU60_31533	(New) Non MPS Sole Use Inside 315/33 kV
HU60_63033	(New) Non MPS Sole Use Inside 630/33 kV
HU60_100033	(New) Non MPS Sole Use Inside 100/33 kV
HU60_31511	(New) Non MPS Sole Use Outside 315/6-11kV
HU60_63011	(New) Non MPS Sole Use Outside 630/6-11kV
HU60_100011	(New) Non MPS Sole Use Outside 1000/6-11kV
HU60_31522	(New) Non MPS Sole Use Outside 315/22 kV
HU60_63022	(New) Non MPS Sole Use Outside 630/22 kV
HU60_100022	Non MPS Sole Use Outside 1000/22 kV
HU60_31533	Non MPS Sole Use Outside 315/33 kV
HU60_63033	Non MPS Sole Use Outside 630/33 kV
HU60_100033	Non MPS Sole Use Outside 1000/33 kV
HU61_315/11	(New) MPS 315kVA / 6-11kV district
HU61_630/11	(New) MPS 630kVA / 6-11kV district
HU61_315/22	(New) MPS 315kVA / 22kV district
HU61_630/22	(New) MPS 630kVA / 22kV district
HU61_315/33	(New) MPS 315kVA/33kV district
HU61_630/33	MPS 630kVA/33kV district
HU62_22GE185	22kV GIS elbow connector, cold shrink, 185mm ²
HU62_22GE240	22kV GIS elbow connector, cold shrink, 240mm ²
HU62_22GE400	22kV GIS elbow connector, cold shrink, 400mm ²
HU62_33GE185	33kV GIS elbow connector, cold shrink, 185-240mm ²
HU62_22GP185	22kV GIS piggyback elbow connector, cold shrink, 185mm ²

CU	CU DESCRIPTION
HU62_22GP240	22kV GIS piggyback elbow connector, cold shrink, 240mm ²
HU62_22GP400	22kV GIS piggyback elbow connector, cold shrink, 400mm ²
HU62_22AI185	22kV AIS Termination Kit, CSTI 185-240mm ²
HU62_22AI400	22kV AIS Termination Kit, CSTI 400mm ²
HU62_33AI185	33kV AIS Termination Kit, CSTI 185-240mm ²
HU62_22AO185	22kV AIS Termination Kit, CSTO 185-240mm ²
HU65_185	Elbow 22kV, 630A max, 185mm ² XLPE Cable
HU65_240	Elbow 22kV, 630A max, 240mm ² XLPE Cable
HU65_400	Elbow 22kV, 630A max, 400mm ² XLPE Cable
HU66_22S	Elbow 22kV / 200A non load break x 1
HU66_33	Elbow 33kV / 200A non load break x 3
HU66_33S	Elbow 33kV / 200A non load break x 1
HU67_22_200A	Dead end receptical 22kV x 3
HU67_22S_200A	Dead end receptical 22kV x 1
HU67_33	Dead end receptical 33kV x 3
HU67_33S	Dead end receptical 22kV or 33kV x 1
HU67_33_400A	Dead end receptical 22kV or 33kV x 1
HU67_33S_400A	Dead end receptical 33kV x 1
HU68	Non MPS transformer cable guard
HU68_R33	Non MPS transformer cable guard for Rural, 33kV
HU71_35/95	Breech joint – 95 to 95 or 35 to 35 – 1 x 1 core
HU71_95/240	Breech joint – 95 to 185 or 95 to 240 only – 3 x 1 core
HU71_95/400	Breech joint – 95 to 400 only – 3 x 1 core
HU72	SPURS straight joint – 35-1 x 1 core
HU75	SPUDS transformer base pipe
HU76_STD	Non MPS & MPS tx culvert & base Standard
HU76_HWT	Non MPS & MPS tx culvert & base Standard – High Water Table
HU77	SPUDS arrester elbow
HU78	Double extensible switch disconnecter
HU78_A	Double extensible switch disconnecter – motorised
HU79	Double extensible fuse switch
HU80_M400	Manual Switchgear Kiosk 2+3 – 400mm ² cable, 22kV
HU80_A400	Automatable, Switchgear Kiosk 2+3 – 400mm ² cable, 22kV
HU81_M400	Manual Switchgear Kiosk 3+2 – 400mm ² cable, 22kV
HU81_A400	Automatable, Switchgear Kiosk 3+2 – 400mm ² cable, 22kV
HU82_63/11	Tx. 63kVA/6-11kV 3ph 6 bushing
HU82_63/22	(New) Tx. 63kVA/22kV 3ph 6 bushing
HU82_63/33	Tx. 63kVA/133kV 3ph 6 bushing
HU84_11/95M	11kV groundmount metering – 95mm ² cable – Metro
HU84_11/400M	11kV groundmount metering – 400mm ² cable – Metro
HU84_22/95M	22kV groundmount metering – 95mm ² cable – Metro
HU84_22/400M	22kV groundmount metering – 400mm ² cable – Metro
HU85_O	Aerial cable termination–50-1 x 1c 33kV
HU85_U	Cable frame termination–50-1 x 1c 33kV
HU86	Bus section double extensible switch disconnecter, Indoor
HU87	Base frame, 1-way double extensible, Indoor
HU100_33	Automatable, Flusarc switchgear Kiosk 3+0 – 185-240mm ² cable, 33kV
HU101_33	Automatable, Flusarc switchgear Kiosk 2+1 – 185-240mm ² cable, 33kV

CU	CU DESCRIPTION
HU102_33	Automatable, Flusarc switchgear Kiosk 2+2 – 185-240mm ² cable, 33kV
HU103_33	Automatable, Flusarc switchgear Kiosk 3+1 – 185-240mm ² cable, 33kV
HU104_33	Automatable, Flusarc switchgear Kiosk 4+1 – 185-240mm ² cable, 33kV
HU110_400_1C	Termite Protection kit 35-400mm ² 1C 22kV & 33kV HV XLPE Straight Joints
HU110_400_3C	Termite Protection kit 35-400mm ² 3C 22kV & 33kV HV XLPE Straight Joints



				COMPATIBLE UNIT			DISTRIBUTION DESIGN CATALOGUE				
				TITLE STRAIGHT JOINT			DRAWN: JRR	DATE: 01-04-2014	DRG. No.		
				25-95mm ² XLPE 1-CORE for 22kV			ORIGINATED:	SCALE: NTS	HU001		
				185-400mm ² XLPE 1-core for 22kV			CHECKED: REE	APPROVED: GRANT STACY			REV. D
REV	DATE	DESCRIPTION	ORGD.	CHKD.	APRD.						
D	09.10.17	TITLE CHANGED		JC	REE	GS					
C	11.03.10	ORIGINAL ISSUE									

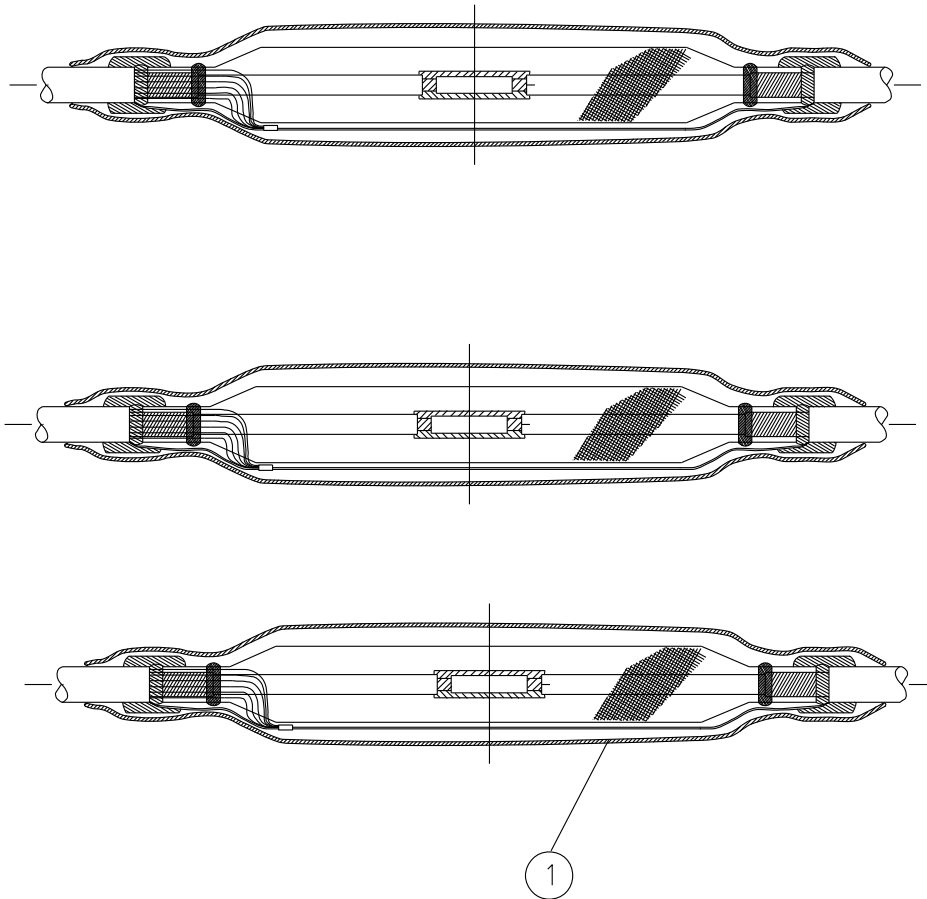
CU	CU Description
-----------	-----------------------

HU1_22_95	Straight joint – 25 to 95 only 1 x 1 core, 22kV
------------------	--

ITEM NUMBER	STOCK CODE	DESCRIPTION	QTY RQD	UNIT OF MEASURE	REMARKS
1	FJ0644	joint kit	1	ea	

HU1_22_400	Straight joint – 185-400 1 x 1 core, 22kV
-------------------	--

ITEM NUMBER	STOCK CODE	DESCRIPTION	QTY RQD	UNIT OF MEASURE	REMARKS
1	FJ0645	joint kit	1	ea	



				COMPATIBLE UNIT			DISTRIBUTION DESIGN CATALOGUE					
				TITLE			DRAWN: JRR		DATE: 03-04-2014		DRG. No.	
				STRAIGHT JOINT			ORIGINATED:		SCALE: NTS		HU002	
				25-95mm ² XLPE 3-CORE for 22kV			CHECKED: REE		APPROVED:		REV. B	
				185-400mm ² XLPE 3-CORE for 22kV			GRANT STACY				SHT.	
				185mm ² XLPE 3-CORE for 33kV								
B	09.10.17	TITLE CHANGED		JC	REE	GS						
A	11.03.10	ORIGINAL ISSUE										
REV	DATE	DESCRIPTION		DRGD.	CHKD.	APRD.						

CU	CU Description
-----------	-----------------------

HU2_22_95 Straight joint – 25 to 95 only 3 x 1 core, 22kV					
ITEM NUMBER	STOCK CODE	DESCRIPTION	QTY RQD	UNIT OF MEASURE	REMARKS
1	FJ0644	joint kit	3	ea	

HU2_22_400 Straight joint – 185-400 3 x 1 core, 22kV					
ITEM NUMBER	STOCK CODE	DESCRIPTION	QTY RQD	UNIT OF MEASURE	REMARKS
1	FJ0645	joint kit	3	ea	

HU2_33 Straight joint – 185 – 3 x 1core, 33kV					
ITEM NUMBER	STOCK CODE	DESCRIPTION	QTY RQD	UNIT OF MEASURE	REMARKS
1	FJ0017	joint kit	3	ea	



NOTES:-
1. REFER TO DRG. R34-2.

				COMPATIBLE UNIT			DISTRIBUTION DESIGN CATALOGUE		westernpower	
				TITLE	HV CABLE LIVE END SEAL		DRAWN: JRR	DATE: 25-06-2015	DRG. No.	
D	22.07.15	CABLE JOINT REDRAWN AND CABLE PROTECTOR ADDED	NB	CO	GS	35-150mm ² XLPE 3x1 CORE	ORIGINATED: NB	SCALE: NTS	HU3	
C	03.07.15	CABLE MARKER ADDED	NB	CO	GS	185-400mm ² XLPE 3x1 CORE	CHECKED: CO			
B	26.06.15	REDRAWN AND FORMAT & TITLE CHANGED	NB	CO	GS		APPROVED:	GRANT STACY	REV. D	SHT.
A	14.01.08	ORIGINAL ISSUE								
R No	DATE	DESCRIPTION	ORGO.	CHEC.	APRD.					

CU	CU Description
-----------	-----------------------

HU3_22_35	22kV Cable Live End Seal for XLPE – 35-150 3 x 1 core
------------------	--

ITEM NUMBER	STOCK CODE	DESCRIPTION	QTY RQD	UNIT OF MEASURE	REMARKS
1	FJ0627	Live end seal	3	ea	
2	CR0327	Cable Marker	1	ea	
3	CZ0505	Cable Protector	6	ea	

HU3_22_400	22kV Cable Live End Seal for XLPE – 185-400 3 x 1 core
-------------------	---

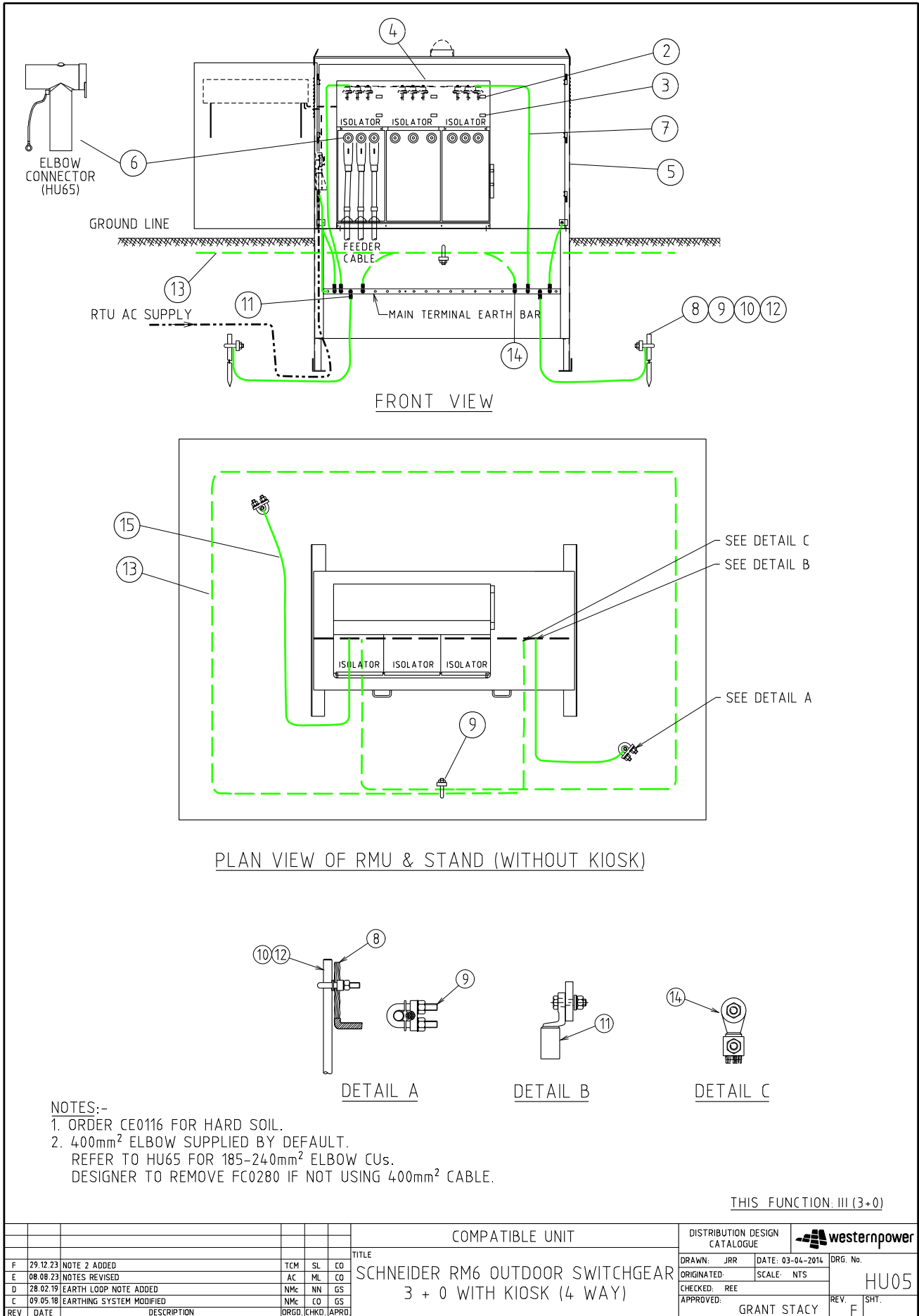
ITEM NUMBER	STOCK CODE	DESCRIPTION	QTY RQD	UNIT OF MEASURE	REMARKS
1	FJ0628	Live end seal	3	ea	
2	CR0327	Cable Marker	1	ea	
3	CZ0505	Cable Protector	6	ea	

HU3_33_50	33kV Cable Live End Seal for XLPE – 50-150 3 x 1 core
------------------	--

ITEM NUMBER	STOCK CODE	DESCRIPTION	QTY RQD	UNIT OF MEASURE	REMARKS
1	FJ0629	Live end seal	3	ea	
2	CR0327	Cable Marker	1	ea	
3	CZ0505	Cable Protector	6	ea	

HU3_33_185	33kV Cable Live End Seal for XLPE – 185-240 3 x 1 core
-------------------	---

ITEM NUMBER	STOCK CODE	DESCRIPTION	QTY RQD	UNIT OF MEASURE	REMARKS
1	FJ0630	Live end seal	3	ea	
2	CR0327	Cable Marker	1	ea	
3	CZ0505	Cable Protector	6	ea	



- NOTES:-
1. ORDER CE0116 FOR HARD SOIL.
 2. 400mm² ELBOW SUPPLIED BY DEFAULT.
REFER TO HU65 FOR 185-240mm² ELBOW CUs.
DESIGNER TO REMOVE FC0280 IF NOT USING 400mm² CABLE.

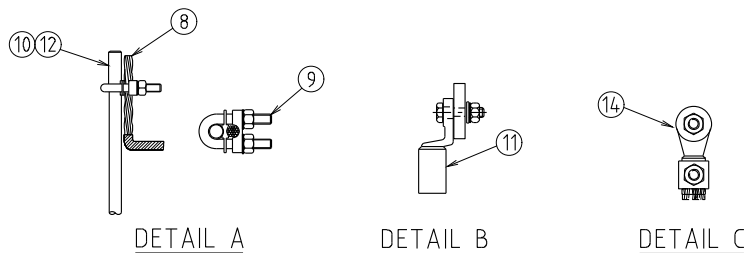
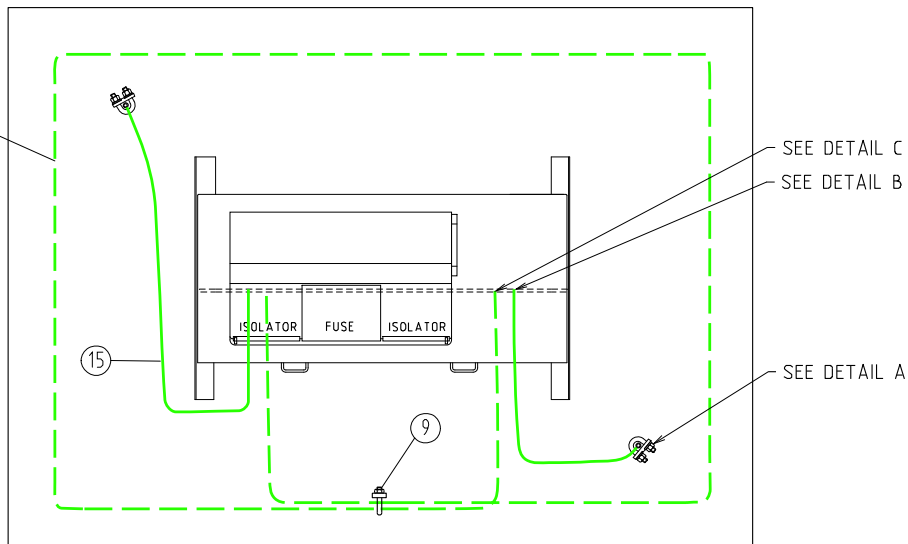
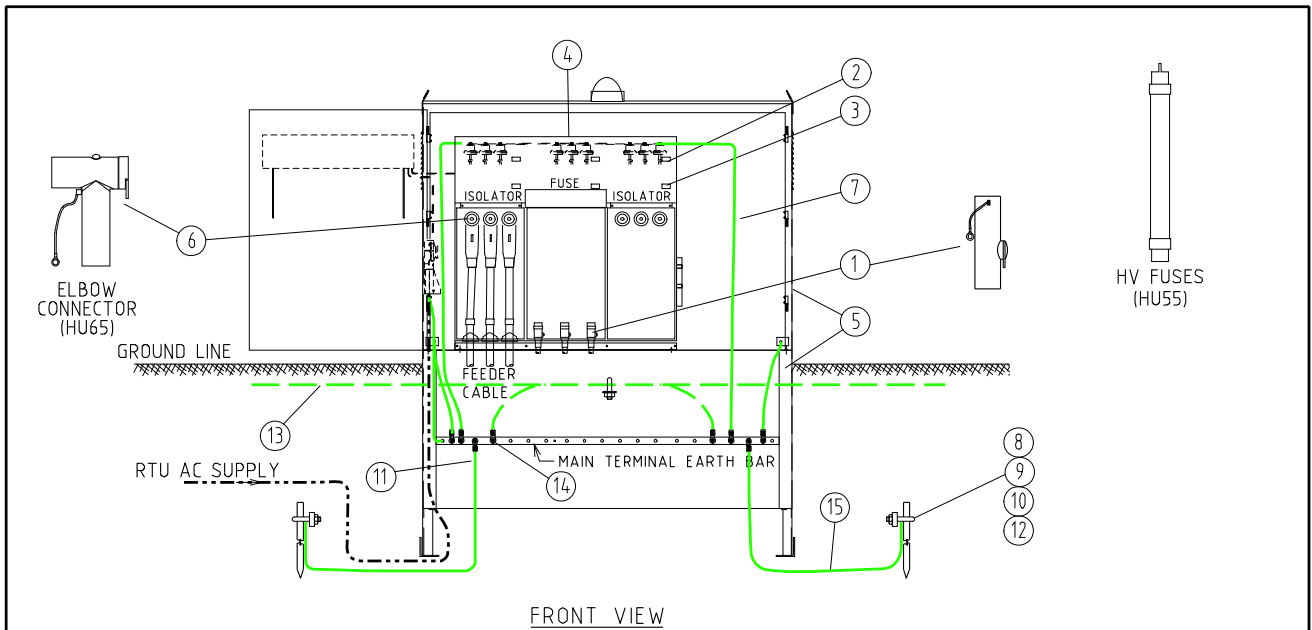
THIS FUNCTION: III (3+0)

				COMPATIBLE UNIT			DISTRIBUTION DESIGN CATALOGUE		westernpower		
F	29.12.23	NOTE 2 ADDED	TCM	SL	CO	TITLE	DRAWN: JRR	DATE: 03-04-2014	DRG. No.		
E	08.08.23	NOTES REVISED	AC	ML	CO	SCHNEIDER RM6 OUTDOOR SWITCHGEAR 3 + 0 WITH KIOSK (4 WAY)	ORIGINATED:	SCALE: NTS	HU05		
D	28.02.19	EARTH LOOP NOTE ADDED	NMc	NN	GS		CHECKED: REE	APPROVED:			
C	09.05.18	EARTHING SYSTEM MODIFIED	NMc	CO	GS		APPROVED: GRANT STACY	REV. F			SHT.
REV	DATE	DESCRIPTION	ORGD.	CHKD.	APRD.						

CU	CU Description
-----------	-----------------------

HU5_M400 Manual, Switchgear Kiosk 3+0 RE – 400mm² cable, 22kV					
ITEM NUMBER	STOCK CODE	DESCRIPTION	QTY RQD	UNIT OF MEASURE	REMARKS
2	OH0211	padlock	3	ea	
3	OH0194	padlock	4	ea	
4	XA2620	RM6 RE Switchgear 3+0	1	ea	
5	XA2650	4-way cabinet & stand	1	ea	
6	FC0280	Elbow Connector 400mm ²	3	set	See Note 2
7		conductor 70mm ² PVC insulated copper green / yellow			Supplied with RMU & Stand
8	CE0135	earth rod	12	ea	
9	CE0058	earth clamp	3	ea	
10	CE0078	earth coupling	10	ea	
11	FL1465	earthing lug	6	ea	
12	CE0116	driving point for earth rods	0	ea	See Note 1
13	EM0014	conductor 70mm ² bare copper clad steel	1	coil	30m
14	FL0144	Bolted Q-lug	2	ea	
15	EE1264	70mm ² PVC insulated copper green / yellow	10	m	

HU5_A400 Automatable, Switchgear Kiosk RE 3+0 RE – 400mm² cable, 22kV					
ITEM NUMBER	STOCK CODE	DESCRIPTION	QTY RQD	UNIT OF MEASURE	REMARKS
2	OH0211	padlock	3	ea	
3	OH0194	padlock	4	ea	
4	XA2630	RM6 RE Switchgear 3+0, motorised	1	ea	
5	XA2650	4-way cabinet & stand	1	ea	
6	FC0280	Elbow Connector 400mm ²	3	Set	See Note 2
7		conductor 70mm ² PVC insulated copper green / yellow			Supplied with RMU & Stand
8	CE0135	earth rod	12	ea	
9	CE0058	earth clamp	3	ea	
10	CE0078	earth coupling	10	ea	
11	FL1465	earthing lug	6	ea	
12	CE0116	driving point for earth rods	0	ea	See Note 1
13	EM0014	conductor 70mm ² bare copper clad steel	1	coil	30m
14	FL0144	Bolted Q-lug	2	ea	
15	EE1264	70mm ² PVC insulated copper green / yellow	10	m	



- NOTES:-
1. ORDER CE0116 FOR HARD SOIL.
 2. 400mm² ELBOW SUPPLIED BY DEFAULT.
REFER TO HU65 FOR 185-240mm² ELBOW CUs.
DESIGNER TO REMOVE FC0280 IF NOT USING 400mm² CABLE.

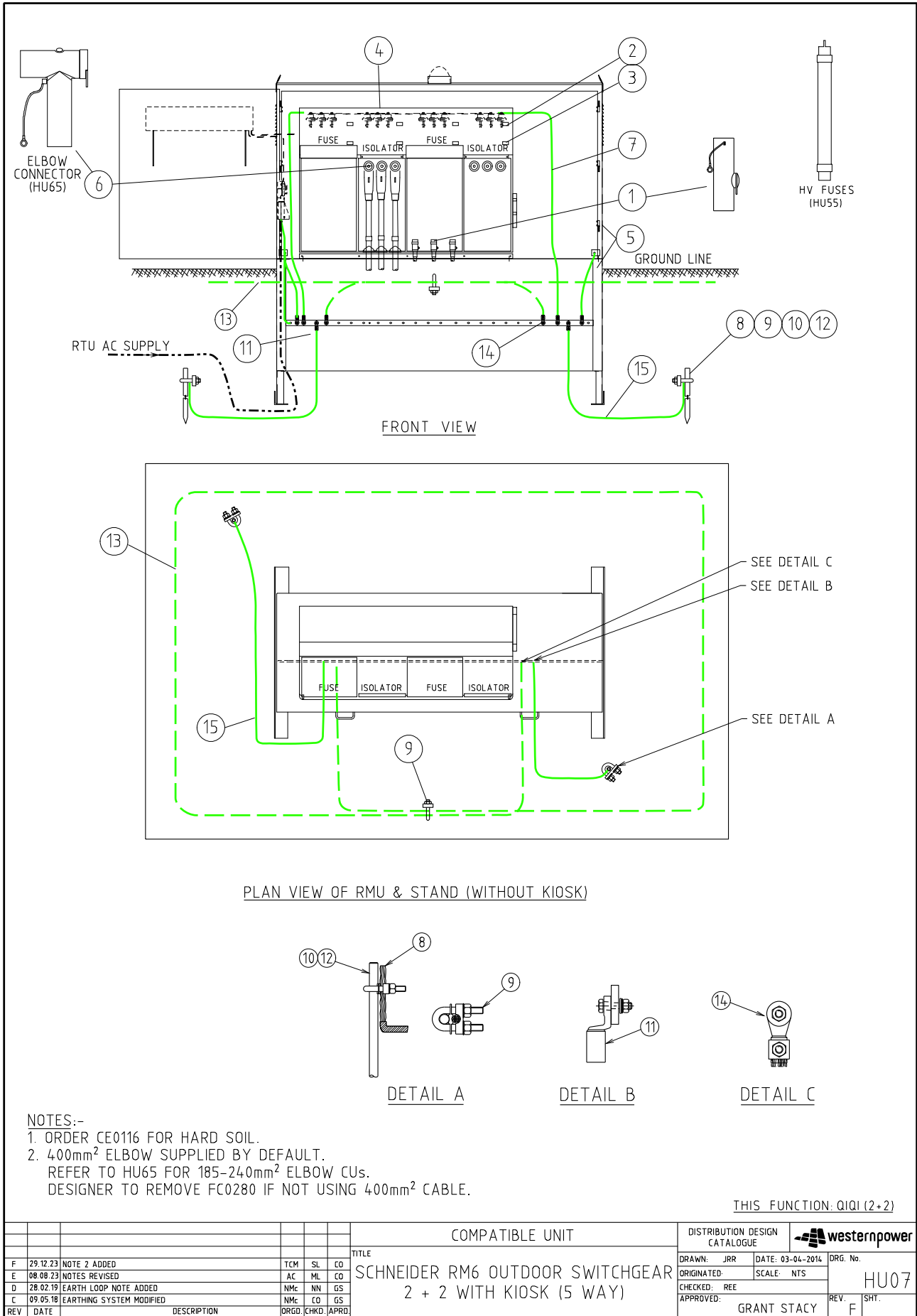
THIS FUNCTION: IQI (2+1)

				COMPATIBLE UNIT			DISTRIBUTION DESIGN CATALOGUE			
				TITLE			DRAWN: JRR		DATE: 03-04-2014	
				SCHNEIDER RM6 OUTDOOR SWITCHGEAR			ORIGINATED:		SCALE: NTS	
				2 + 1 WITH KIOSK (4 WAY)			CHECKED: REE		APPROVED: GRANT STACY	
							REV. F		SHT.	
REV	DATE	DESCRIPTION	ORGD.	CHKD.	APRD.					HU06

CU	CU Description
----	----------------

HU6_M400		Manual, Switchgear Kiosk 2+1 RE – 400mm ² cable, 22kV			
ITEM NUMBER	STOCK CODE	DESCRIPTION	QTY RQD	UNIT OF MEASURE	REMARKS
1	FC0317	Straight Connector 35 mm ²	1	set	
2	OH0211	padlock	3	ea	
3	OH0194	padlock	4	ea	
4	XA2621	RM6 RE Switchgear 2+1	1	ea	
5	XA2650	4-way cabinet & stand	1	ea	
6	FC0280	Elbow Connector, 400 mm ²	2	set	See Note 2
7		conductor 70mm ² PVC insulated copper green / yellow			Supplied with RMU & Stand
8	CE0135	earth rod	12	ea	
9	CE0058	earth clamp	3	ea	
10	CE0078	earth coupling	10	ea	
11	FL1465	earthing lug	6	ea	
12	CE0116	driving point for earth rods	0	ea	See Note 1
13	EM0014	conductor 70mm ² bare copper clad steel	1	coil	30m coil
14	FL0144	Bolted Q-lug	2	ea	
15	EE1264	conductor 70mm ² PVC insulated copper green / yellow	10	m	

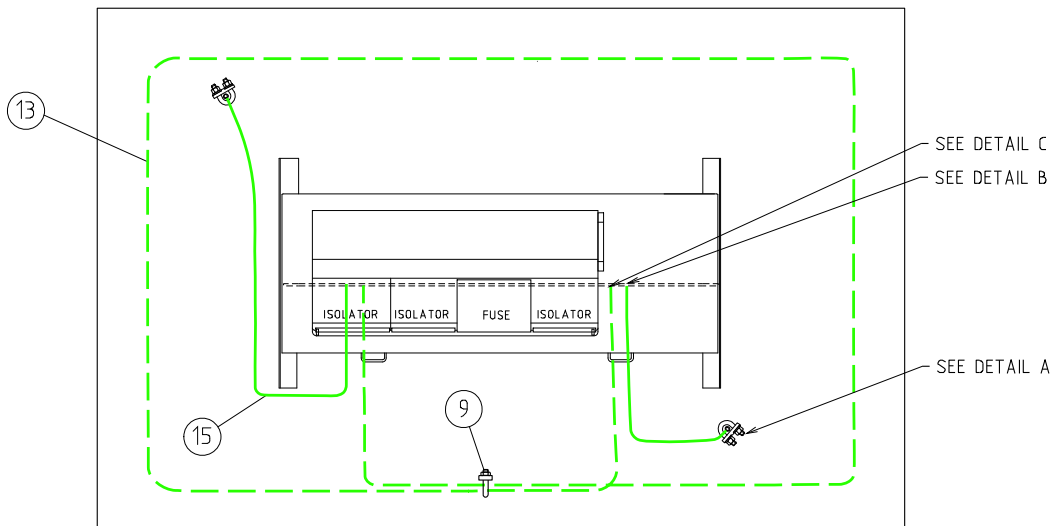
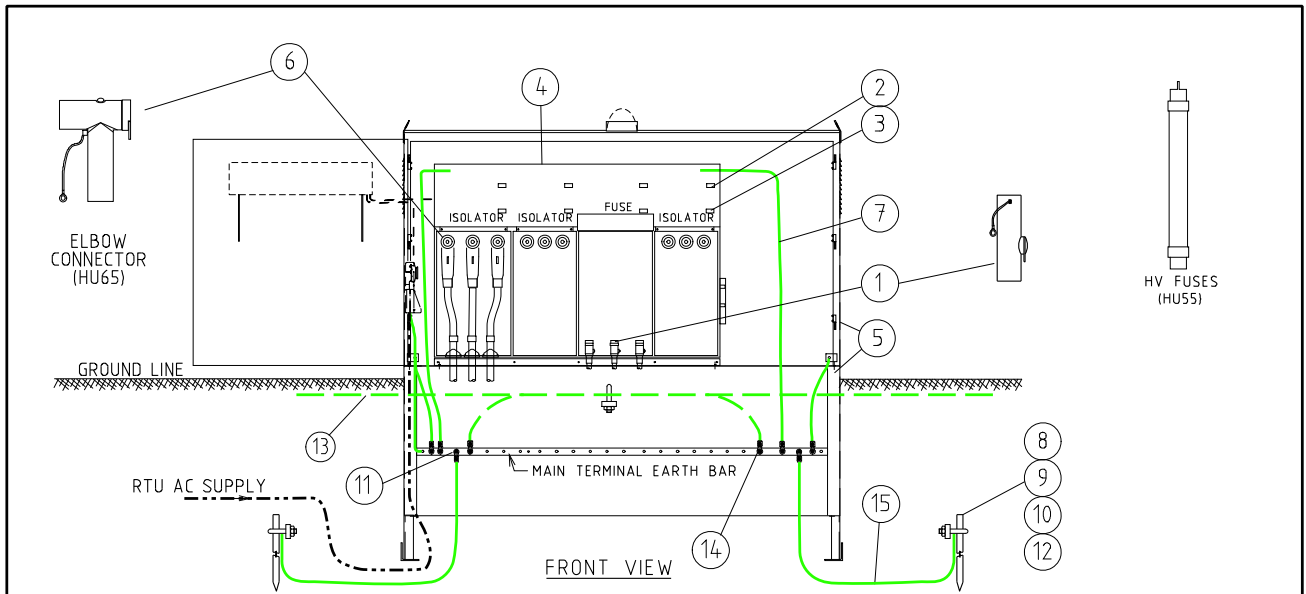
HU6_A400		Automatable, Switchgear Kiosk RE 2+1 – 400mm ² cable, 22kV			
ITEM NUMBER	STOCK CODE	DESCRIPTION	QTY RQD	UNIT OF MEASURE	REMARKS
1	FC0317	Straight Connector 35 mm ²	1	set	
2	OH0211	padlock	3	ea	
3	OH0194	padlock	4	ea	
4	XA2631	RM6 RE Switchgear 2+1, motorised	1	ea	
5	XA2650	4-way cabinet & stand	1	ea	
6	FC0280	Elbow Connector, 400 mm ²	2	set	See Note 2
7		conductor 70mm ² PVC insulated copper green / yellow			Supplied with RMU & Stand
8	CE0135	earth rod	12	ea	
9	CE0058	earth clamp	3	ea	
10	CE0078	earth coupling	10	ea	
11	FL1465	earthing lug	6	ea	
12	CE0116	driving point for earth rods	0	ea	See Note 1
13	EM0014	conductor 70mm ² bare copper clad steel	1	coil	30m coil
14	FL0144	Bolted Q-lug	2	ea	
15	EE1264	conductor 70mm ² PVC insulated copper green / yellow	10	m	



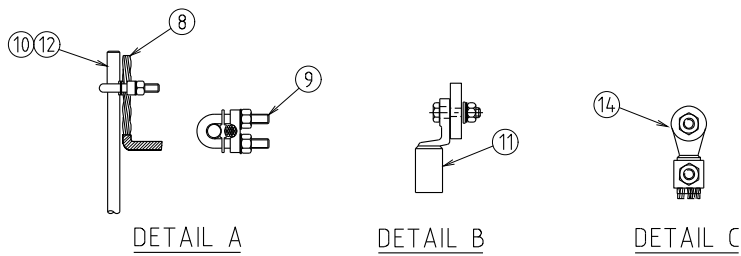
CU	CU Description
-----------	-----------------------

HU7_M400 Manual, Switchgear Kiosk 2+2 RE – 400mm² cable, 22kV					
ITEM NUMBER	STOCK CODE	DESCRIPTION	QTY RQD	UNIT OF MEASURE	REMARKS
1	FC0317	Straight Connector 35 mm ²	2	set	
2	OH0211	padlock	4	ea	
3	OH0194	padlock	5	ea	
4	XA2624	RM6 RE Switchgear 2+2	1	ea	
5	XA2651	5-way cabinet & stand	1	ea	
6	FC0280	Elbow Connector, 400 mm ²	2	set	See Note 2
7		conductor 70mm ² PVC insulated copper green / yellow			Supplied with RMU & Stand
8	CE0135	earth rod	12	ea	
9	CE0058	earth clamp	3	ea	
10	CE0078	earth coupling	10	ea	
11	FL1465	earthing lug	6	ea	
12	CE0116	driving point for earth rods	0	ea	See Note 1
13	EM0014	conductor 70mm ² bare copper clad steel	1	coil	30m
14	FL0144	Bolted Q-lug	2	ea	
15	EE1264	70mm ² PVC insulated copper green / yellow	10	m	

HU7_A400 Automatable, Switchgear Kiosk 2+2, 21 RE – 400mm² cable, 22kV					
ITEM NUMBER	STOCK CODE	DESCRIPTION	QTY RQD	UNIT OF MEASURE	REMARKS
1	FC0317	Straight Connector 35 mm ²	2	set	
2	OH0211	padlock	4	ea	
3	OH0194	padlock	5	ea	
4	XA2634	RM6 RE Switchgear 2+2, motorised	1	ea	
5	XA2651	5-way cabinet & stand	1	ea	
6	FC0280	Elbow Connector, 400 mm ²	2	set	See Note 2
7		conductor 70mm ² PVC insulated copper green / yellow			Supplied with RMU & Stand
8	CE0135	earth rod	12	ea	
9	CE0058	earth clamp	3	ea	
10	CE0078	earth coupling	10	ea	
11	FL1465	earthing lug	6	ea	
12	CE0116	driving point for earth rods	0	ea	See Note 1
13	EM0014	conductor 70mm ² bare copper clad steel	1	coil	30m
14	FL0144	Bolted Q-lug	2	ea	
15	EE1264	70mm ² PVC insulated copper green / yellow	10	m	



PLAN VIEW OF RMU & STAND (WITHOUT KIOSK)



- NOTES:-
 1. ORDER CE0116 FOR HARD SOIL.
 2. 400mm² ELBOW SUPPLIED BY DEFAULT.
 REFER TO HU65 FOR 185-240mm² ELBOW CUs.
 DESIGNER TO REMOVE FC0280 IF NOT USING 400mm² CABLE.

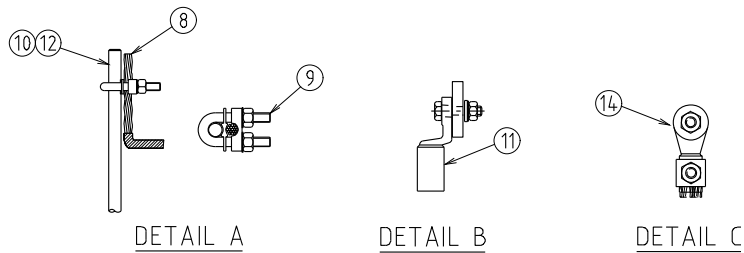
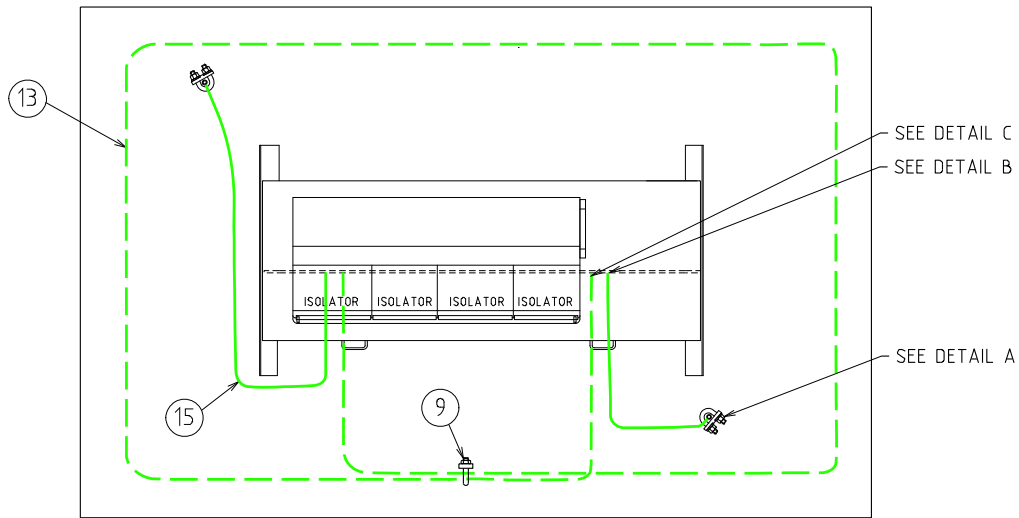
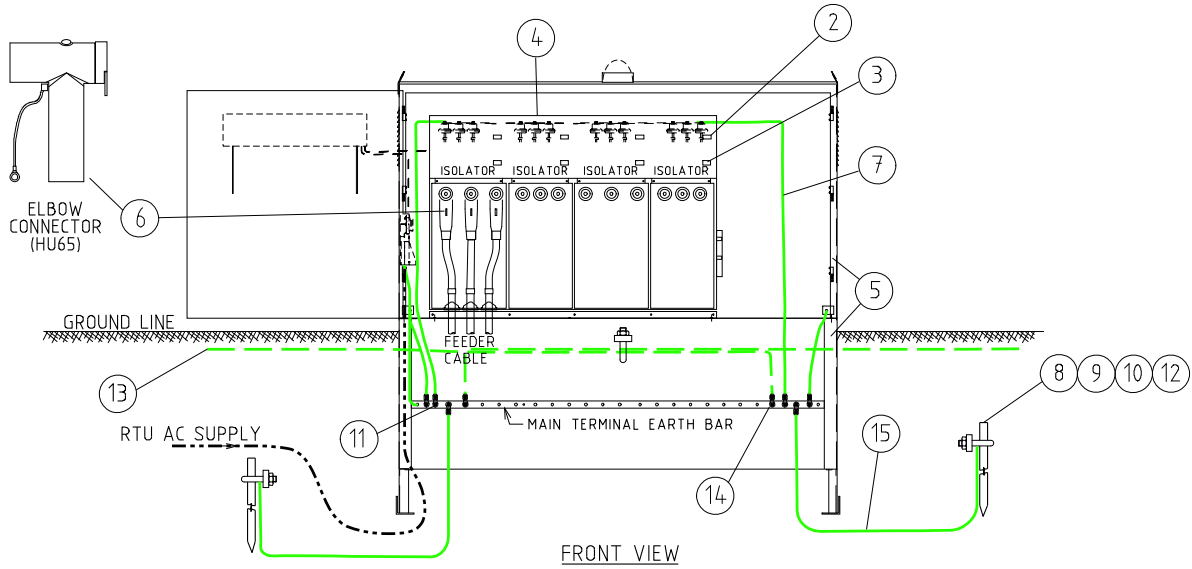
THIS FUNCTION: IIQI (3+1)

				COMPATIBLE UNIT			DISTRIBUTION DESIGN CATALOGUE				
F	29.12.23	NOTE 2 ADDED		TCM	SL	CO	TITLE	DRAWN: JRR	DATE: 03-04-2014	DRG. No.	
E	08.08.23	NOTES REVISED		AC	ML	CO	SCHNEIDER RM6 OUTDOOR SWITCHGEAR 3 + 1 WITH KIOSK (5 WAY)	ORIGINATED:	SCALE: NTS	HU08	
D	28.02.19	EARTH LOOP NOTE ADDED		NMc	NN	GS		CHECKED: REE			
C	09.05.18	EARTHING SYSTEM MODIFIED		NMc	CO	GS		APPROVED:	GRANT STACY	REV. F	SHT.
REV	DATE	DESCRIPTION		DRGD.	CHKD.	APPRD.					

CU	CU Description
-----------	-----------------------

HU8_M400 Manual, Switchgear Kiosk 3+1 RE – 400mm² cable, 22kV					
ITEM NUMBER	STOCK CODE	DESCRIPTION	QTY RQD	UNIT OF MEASURE	REMARKS
1	FC0317	Straight Connector 35 mm ²	1	set	
2	OH0211	padlock	4	ea	
3	OH0194	padlock	5	ea	
4	XA2623	RM6 RE Switchgear 3+1	1	ea	
5	XA2651	5-way cabinet & stand	1	ea	
6	FC0280	Elbow Connector, 400 mm ²	3	set	See Note 2
7		conductor 70mm ² PVC insulated copper green / yellow			Supplied with RMU & Stand
8	CE0135	earth rod	12	ea	
9	CE0058	earth clamp	3	ea	
10	CE0078	earth coupling	10	ea	
11	FL1465	earthing lug	6	ea	
12	CE0116	earth driving point	0	ea	See Note 1
13	EM0014	conductor 70mm ² bare copper clad steel	1	coil	30m
14	FL0144	Bolted Q-lug	2	ea	
15	EE1264	70mm ² PVC insulated copper green / yellow	10	m	

HU8_A400 Automatable, Switchgear Kiosk 3+1 RE – 400mm² cable					
ITEM NUMBER	STOCK CODE	DESCRIPTION	QTY RQD	UNIT OF MEASURE	REMARKS
1	FC0317	Straight Connector 35 mm ²	1	set	
2	OH0211	padlock	4	ea	
3	OH0194	padlock	5	ea	
4	XA2633	RM6 RE Switchgear 3+1, motorised	1	ea	
5	XA2651	5-way cabinet & stand	1	ea	
6	FC0280	Elbow Connector, 400 mm ²	3	set	See Note 2
7		conductor 70mm ² PVC insulated copper green / yellow			Supplied with RMU & Stand
8	CE0135	earth rod	12	ea	
9	CE0058	earth clamp	3	ea	
10	CE0078	earth coupling	10	ea	
11	FL1465	earthing lug	6	ea	
12	CE0116	earth driving point	0	ea	See Note 1
13	EM0014	conductor 70mm ² bare copper clad steel	1	coil	30m
14	FL0144	Bolted Q-lug	2	ea	
15	EE1264	70mm ² PVC insulated copper green / yellow	10	m	



NOTES:-
 1. ORDER CE0116 FOR HARD SOIL.
 2. 4.00mm² ELBOW SUPPLIED BY DEFAULT.
 REFER TO HU65 FOR 185-240mm² ELBOW CUs.
 DESIGNER TO REMOVE FC0280 IF NOT USING 4.00mm² CABLE.

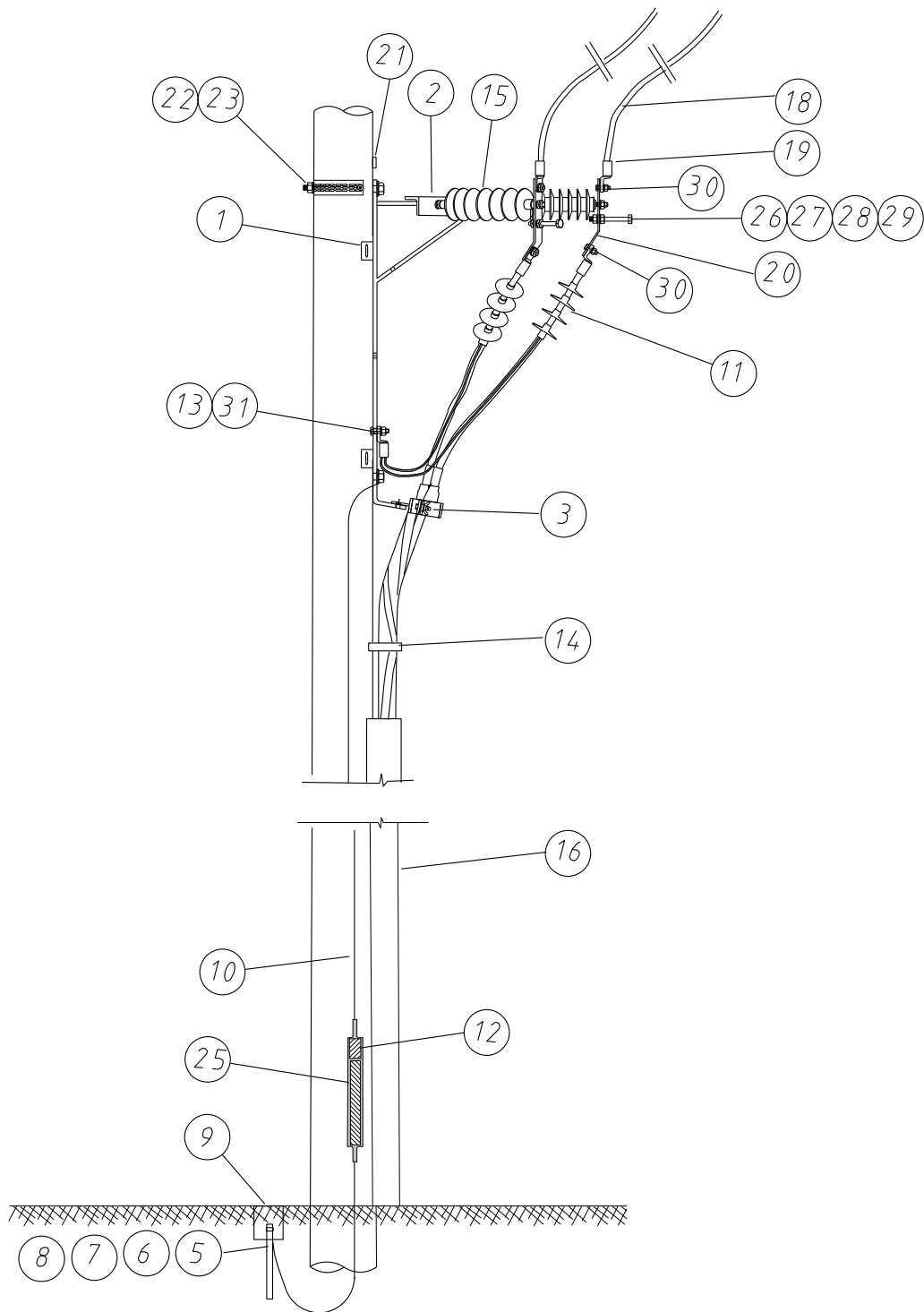
THIS FUNCTION: IIII (4+0)

				COMPATIBLE UNIT		DISTRIBUTION DESIGN CATALOGUE			
F	29.12.23	NOTE 2 ADDED	TCM	SL	CO	TITLE	DRAWN: JRR	DATE: 03-04-2014	DRG. No.
E	08.08.23	NOTES REVISED	AC	ML	CO	SCHNEIDER RM6 OUTDOOR SWITCHGEAR 4 + 0 WITH KIOSK (5 WAY)	ORIGINATED:	SCALE: NTS	HU09
D	28.02.19	EARTH LOOP NOTE ADDED	NMc	NN	GS		CHECKED: REE	APPROVED:	
C	09.05.18	EARTHING SYSTEM MODIFIED	NMc	CO	GS		APPROVED: GRANT STACY	REV. F	SHT.
REV	DATE	DESCRIPTION	ORGD.	CHKD.	APROD.				

CU	CU Description
-----------	-----------------------

HU9_M400 Manual, Switchgear Kiosk 4+0 RE – 400mm² cable, 22kV					
ITEM NUMBER	STOCK CODE	DESCRIPTION	QTY RQD	UNIT OF MEASURE	REMARKS
2	OH0211	padlock	4	ea	
3	OH0194	padlock	5	ea	
4	XA2622	RM6 RE Switchgear 4 + 0	1	ea	
5	XA2651	5-way cabinet & stand	1	ea	
6	FC0280	Elbow Connector, 400 mm ²	4	set	See Note 2
7		conductor 70mm ² PVC insulated copper green / yellow			Supplied with RMU & Stand
8	CE0135	earth rod	12	ea	
9	CE0058	earth clamp	3	ea	
10	CE0078	earth coupling	10	ea	
11	FL1465	earthing lug	6	ea	
12	CE0116	driving point for earth rods	0	ea	See Note 1
13	EM0014	conductor 70mm ² bare copper clad steel	1	coil	30m
14	FL0144	Bolted Q-lug	2	ea	
15	EE1264	70mm ² PVC insulated copper green / yellow	10	m	

HU9_A400 Automatable, Switchgear Kiosk 4+0 RE – 400mm² cable, 22kV					
ITEM NUMBER	STOCK CODE	DESCRIPTION	QTY RQD	UNIT OF MEASURE	REMARKS
2	OH0211	padlock	4	ea	
3	OH0194	padlock	5	ea	
4	XA2632	RM6 RE Switchgear 4 + 0, motorised	1	ea	
5	XA2651	5-way cabinet & stand	1	ea	
6	FC0280	Elbow Connector, 400 mm ²	4	set	See Note 2
7		conductor 70mm ² PVC insulated copper green / yellow			Supplied with RMU & Stand
8	CE0135	earth rod	12	ea	
9	CE0058	earth clamp	3	ea	
10	CE0078	earth coupling	10	ea	
11	FL1465	earthing lug	6	ea	
12	CE0116	driving point for earth rods	0	ea	See Note 1
13	EM0014	conductor 70mm ² bare copper clad steel	1	coil	30m
14	FL0144	Bolted Q-lug	2	ea	
15	EE1264	70mm ² PVC insulated copper green / yellow	10	m	



* IF CABLE TERMINATION DESIGNS TO BE INSTALLED ON THE SAME SIDE AS THE POLE TOP SWITCH ACTUATOR ROD, ORDER TWO OF THE POLE TOP SWITCH CABLE TERMINATION EXTENSION BRACKETS (CB3027).

				COMPATIBLE UNIT			DISTRIBUTION DESIGN CATALOGUE			
				TITLE			DRAWN: JRR		DATE: 03-04-2014	
				CABLE POLE TERMINATION			ORIGINATED:		SCALE: NTS	
				400 - 3 x 1 CORE			CHECKED: REE		DRG. No. HU016	
							APPROVED:		REV. J	
							GRANT STACY		SHT.	
REV	DATE	DESCRIPTION	DRGD.	CHKD.	APRD.					
J	31.10.22	EARTH PARKING BOLT ADDED	CO	NMc	GS					
H	19.12.17	EARTHING SYSTEM MODIFIED	GG	JC	GS					
G	12.04.16	NOTE AND ITEM 22 & 23 ADDED	JC	REE	GS					
F	14.01.08	ORIGINAL ISSUE								

CU	CU Description
-----------	-----------------------

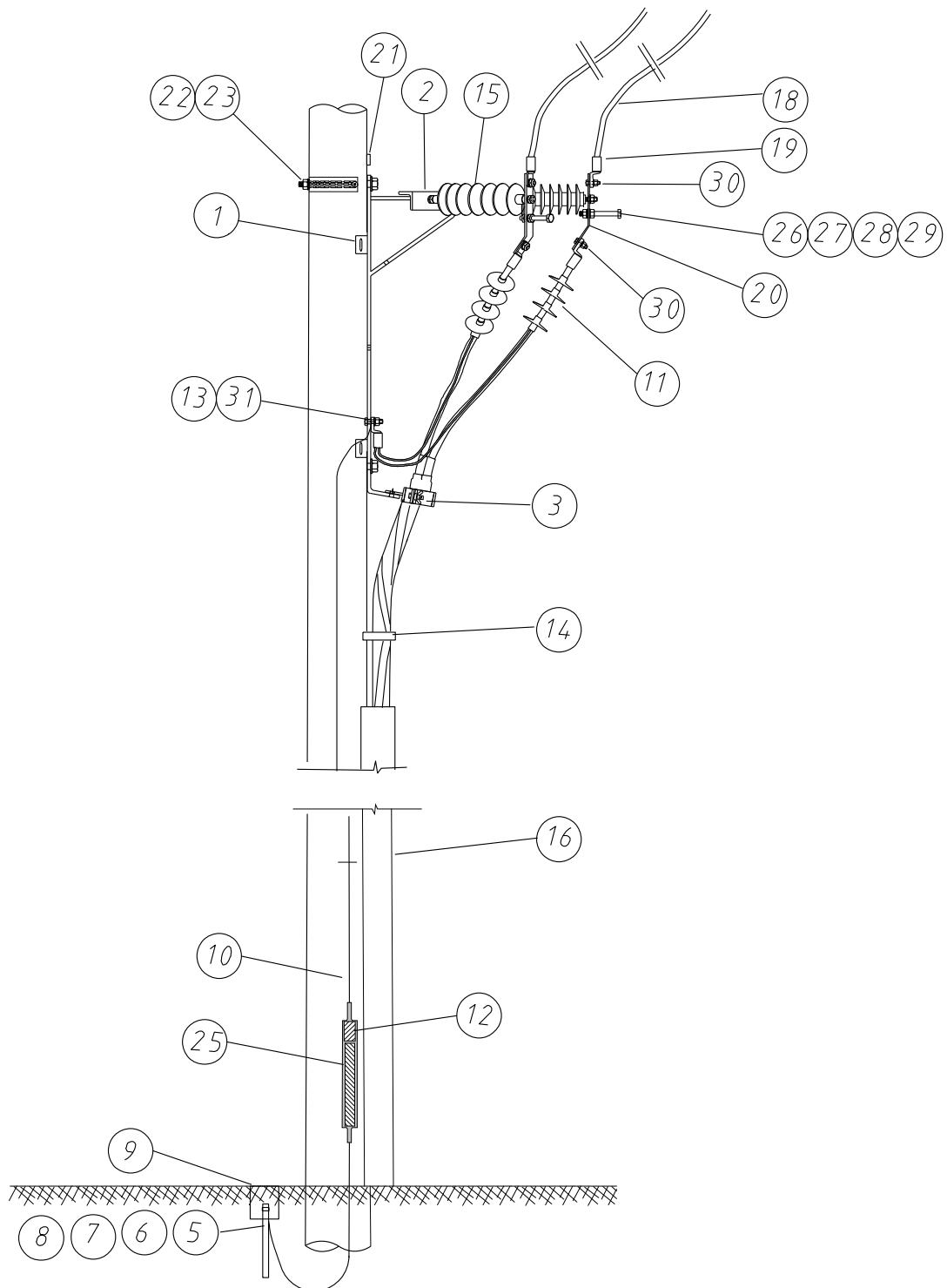
HU16_O Aerial cable termination – 400 – 3 x 1c					
ITEM NUMBER	STOCK CODE	DESCRIPTION	QTY RQD	UNIT OF MEASURE	REMARKS
5	CE0058	earth clamp	1	ea	
6	CE0078	earth coupling	3	ea	
7	CE0116	driving point for earth rods	0	ea	See Note 1
8	CE0135	earth rod	4	ea	
9	CE0201	terminal box	1	ea	
10	FM0915	earth kit	1	ea	
12	CJ0498	Stalk lug 95 Cu	1	ea	
13	FL0401	Lug 95 ABC	1	ea	
14	FM6313	cable saddle	4	ea	
14	AS1441	coach screw	8	ea	
16	HT6321	cable protector	1	ea	
18	FT0150	150 ABC 4m long	1	ea	
19	FL0402	150 ABC terminal lug	3	ea	
21	CZ5007	phase indicator disc	1	ea	
22	AB6732	Pole Bolt	1	ea	
23	CE7541	Dispersion Plate	1	ea	
25	FE0055	Heatshrink	1	ea	

HU16_U_6 Cable frame termination – 400 – 3 x 1c 6.6kV					
ITEM NUMBER	STOCK CODE	DESCRIPTION	QTY RQD	UNIT OF MEASURE	REMARKS
1	CB3017	cable term bracket	1	ea	
2	CB3035	arrester bracket	1	ea	
3	CB3106	cable clamp 185-400mm	1	ea	
11	FJ0183	cable termination kit	1	ea	
15	GA4000	surge arrester	3	ea	
20	GF1592	connector plate	3	ea	
26	AB6739	M12 bolt 120mm long	3	ea	
27	AW2429	M12 Spring lock washer	10	ea	
28	AW2607	M12 Flat washer	20	ea	
29	AN1495	M12 hex plain nut	13	ea	
30	AB2959	M12 40mm bolt	6	ea	
31	AB2965	M12 75mm bolt	1	ea	

CU	CU Description
----	----------------

HU16_U_11 Cable frame termination – 400 – 3 x 1c 11kV					
ITEM NUMBER	STOCK CODE	DESCRIPTION	QTY RQD	UNIT OF MEASURE	REMARKS
1	CB3017	cable term bracket	1	ea	
2	CB3035	arrester bracket	1	ea	
3	CB3106	cable clamp 185-400mm	1	ea	
11	FJ0183	cable termination kit	1	ea	
15	GA4001	surge arrester	3	ea	
20	GF1592	connector plate	3	ea	
26	AB6739	M12 bolt 120mm long	3	ea	
27	AW2429	M12 Spring lock washer	10	ea	
28	AW2607	M12 Flat washer	20	ea	
29	AN1495	M12 hex plain nut	13	ea	
30	AB2959	M12 40mm bolt	6	ea	
31	AB2965	M12 75mm bolt	1	ea	

HU16_U_22 Cable frame termination – 400 – 3 x 1c 22kV					
ITEM NUMBER	STOCK CODE	DESCRIPTION	QTY RQD	UNIT OF MEASURE	REMARKS
1	CB3017	cable term bracket	1	ea	
2	CB3035	arrester bracket	1	ea	
3	CB3106	cable clamp 185-400mm	1	ea	
11	FJ0183	cable termination kit	1	ea	
15	GA4002	surge arrester	3	ea	
20	GF1592	connector plate	3	ea	
26	AB6739	M12 bolt 120mm long	3	ea	
27	AW2429	M12 Spring lock washer	10	ea	
28	AW2607	M12 Flat washer	20	ea	
29	AN1495	M12 hex plain nut	13	ea	
30	AB2959	M12 40mm bolt	6	ea	
31	AB2965	M12 75mm bolt	1	ea	



* IF CABLE TERMINATION DESIGNS TO BE INSTALLED ON THE SAME SIDE AS THE POLE TOP SWITCH ACTUATOR ROD, ORDER TWO OF THE POLE TOP SWITCH CABLE TERMINATION EXTENSION BRACKETS (CB3027).

				COMPATIBLE UNIT			DISTRIBUTION DESIGN CATALOGUE			
J	31.10.22	EARTH PARKING BOLT ADDED	CO	NMc	GS	DRAWN: JRR DATE: 03-04-2014 DRG. No.		HU018		
H	19.12.17	EARTHING SYSTEM MODIFIED	GG	JC	GS	ORIGINATED: SCALE: NTS				
G	12.04.16	NOTE AND ITEM 22 & 23 ADDED	JC	REE	GS	CHECKED: REE		REV. J ISHT.		
F	14.01.08	ORIGINAL ISSUE				APPROVED: GRANT STACY				
REV	DATE	DESCRIPTION	DRGD.	CHKD.	APRD.	TITLE				
						CABLE POLE TERMINATION				
						185 - 3 x 1 CORE				

CU	CU Description
----	----------------

HU18_O Aerial cable termination –185 – 3 x 1c					
ITEM NUMBER	STOCK CODE	DESCRIPTION	QTY RQD	UNIT OF MEASURE	REMARKS
5	CE0058	earth clamp	1	ea	
6	CE0078	earth coupling	3	ea	
7	CE0116	driving point for earth rods	0	ea	See Note 1
8	CE0135	earth rod	4	ea	
9	CE0201	terminal box	1	ea	
10	FM0915	earth kit	1	ea	
12	CJ0498	Stalk lug 95 Cu	1	ea	
13	FL0401	Lug 95 ABC	1	ea	
14	FM6312	cable saddle	4	ea	
14	AS1441	coach screw	8	ea	
16	HT6321	cable protector	1	ea	
18	FT0150	150 ABC 4m long	1	ea	
19	FL0402	150 ABC terminal lug	3	ea	
21	CZ5007	phase indicator disc	1	ea	
22	AB6732	Pole Bolt	1	ea	
23	CE7541	Dispersion Plate	1	ea	
25	FE0055	Heatshrink	1	ea	

HU18_U_6 Cable frame termination – 185 – 3 x 1c 6.6kV					
ITEM NUMBER	STOCK CODE	DESCRIPTION	QTY RQD	UNIT OF MEASURE	REMARKS
1	CB3017	cable term bracket	1	ea	
2	CB3035	arrester bracket	1	ea	
3	CB3106	cable clamp 185-400mm	1	ea	
11	FJ0184	cable termination kit	1	ea	
15	GA4000	surge arrester	3	ea	
20	GF1592	connector plate	3	ea	
26	AB6739	M12 bolt 120mm long	3	ea	
27	AW2429	M12 Spring lock washer	10	ea	
28	AW2607	M12 Flat washer	20	ea	
29	AN1495	M12 hex plain nut	13	ea	
30	AB2959	M12 40mm bolt	6	ea	
31	AB2965	M12 75mm bolt	1	ea	

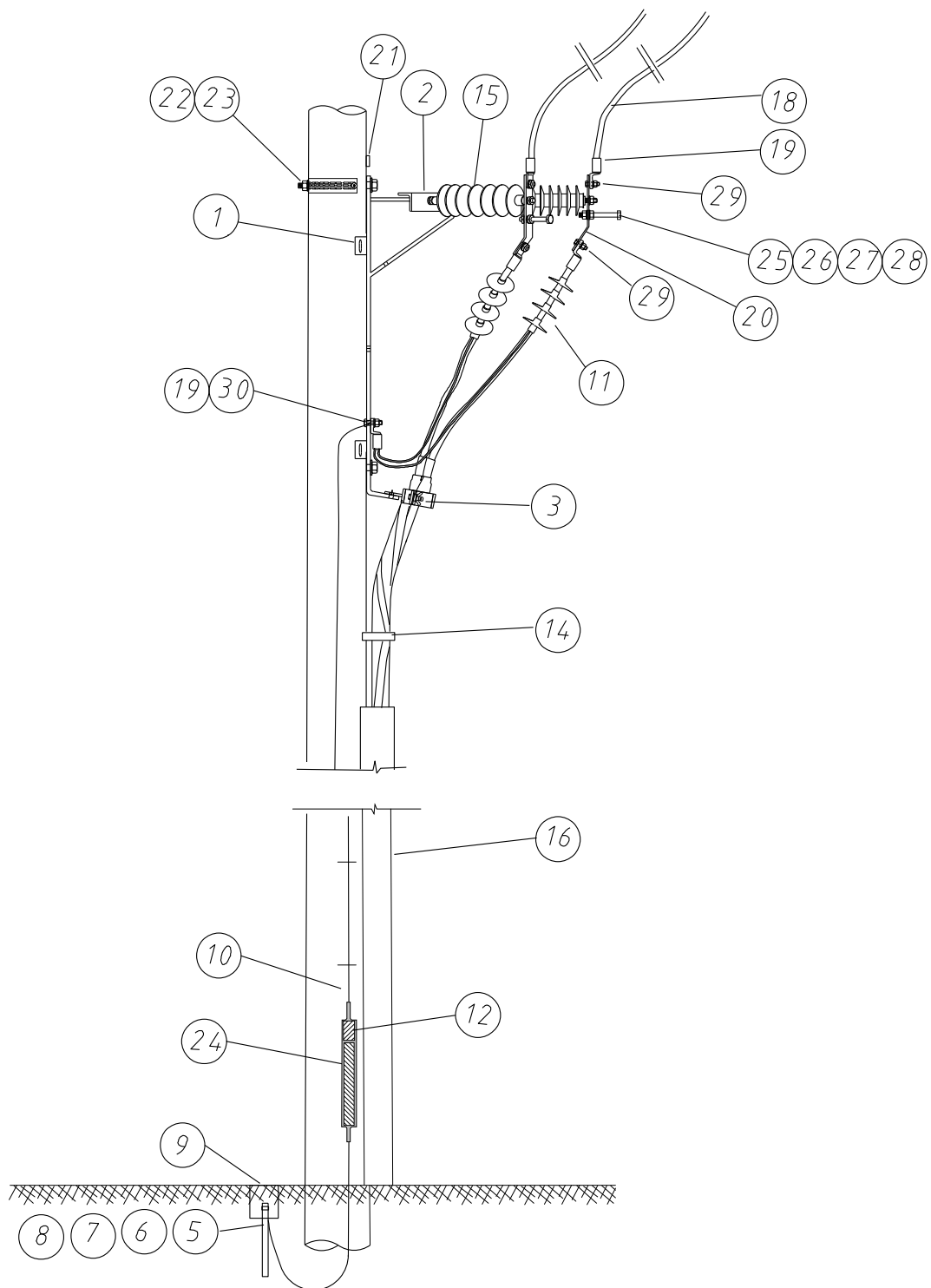
CU	CU Description
----	----------------

HU18_U_11 Cable frame termination – 185 – 3 x 1c 11kV					
ITEM NUMBER	STOCK CODE	DESCRIPTION	QTY RQD	UNIT OF MEASURE	REMARKS
1	CB3017	cable term bracket	1	ea	
2	CB3035	arrester bracket	1	ea	
3	CB3106	cable clamp 185-400mm	1	ea	
11	FJ0184	cable termination kit	1	ea	
15	GA4001	surge arrester	3	ea	
20	GF1592	connector plate	3	ea	
26	AB6739	M12 bolt 120mm long	3	ea	
27	AW2429	M12 Spring lock washer	10	ea	
28	AW2607	M12 Flat washer	20	ea	
29	AN1495	M12 hex plain nut	13	ea	
30	AB2959	M12 40mm bolt	6	ea	
31	AB2965	M12 75mm bolt	1	ea	

HU18_U_22 Cable frame termination – 185 – 3 x 1c 22kV					
ITEM NUMBER	STOCK CODE	DESCRIPTION	QTY RQD	UNIT OF MEASURE	REMARKS
1	CB3017	cable term bracket	1	ea	
2	CB3035	arrester bracket	1	ea	
3	CB3106	cable clamp 185-400mm	1	ea	
11	FJ0184	cable termination kit	1	ea	
15	GA4002	surge arrester	3	ea	
20	GF1592	connector plate	3	ea	
26	AB6739	M12 bolt 120mm long	3	ea	
27	AW2429	M12 Spring lock washer	10	ea	
28	AW2607	M12 Flat washer	20	ea	
29	AN1495	M12 hex plain nut	13	ea	
30	AB2959	M12 40mm bolt	6	ea	
31	AB2965	M12 75mm bolt	1	ea	

CU	CU Description
-----------	-----------------------

HU18_U_33 Cable frame termination –185 – 3 x 1c 33kV					
ITEM NUMBER	STOCK CODE	DESCRIPTION	QTY RQD	UNIT OF MEASURE	REMARKS
1	CB3017	cable term bracket	1	ea	
2	CB3035	arrester bracket	1	ea	
3	CB3106	Hanger, Cable-swing; W/Bolt;XLPE	1	ea	
11	FJ0183	cable termination kit	1	ea	
15	GA4003	surge arrester	3	ea	
20	GF1592	connector plate	3	ea	
26	AB6739	M12 bolt 120mm long	3	ea	
27	AW2429	M12 Spring lock washer	10	ea	
28	AW2607	M12 Flat washer	20	ea	
29	AN1495	M12 hex plain nut	13	ea	
30	AB2959	M12 40mm bolt	6	ea	
31	AB2965	M12 75mm bolt	1	ea	



* IF CABLE TERMINATION DESIGNS TO BE INSTALLED ON THE SAME SIDE AS THE POLE TOP SWITCH ACTUATOR ROD, ORDER TWO OF THE POLE TOP SWITCH CABLE TERMINATION EXTENSION BRACKETS (CB3027).

				COMPATIBLE UNIT			DISTRIBUTION DESIGN CATALOGUE			
J	31.10.22	EARTH PARKING BOLT ADDED	CO	NMc	GS	DRAWN: JRR		DATE: 03-04-2014	DRG. No.	
H	19.12.17	EARTHING SYSTEM MODIFIED	GG	JC	GS	ORIGINATED:		SCALE: NTS	HU019	
G	12.04.16	NOTE AND ITEM 22 & 23 ADDED	JC	REE	GS	CHECKED: REE		APPROVED:		REV. J
F	14.01.08	ORIGINAL ISSUE				APPROVED: GRANT STACY		SHT.		
REV	DATE	DESCRIPTION	DRG.	CHKD.	APROD.					

TITLE
CABLE POLE TERMINATION
35 - 3 x 1 CORE

CU	CU Description
----	----------------

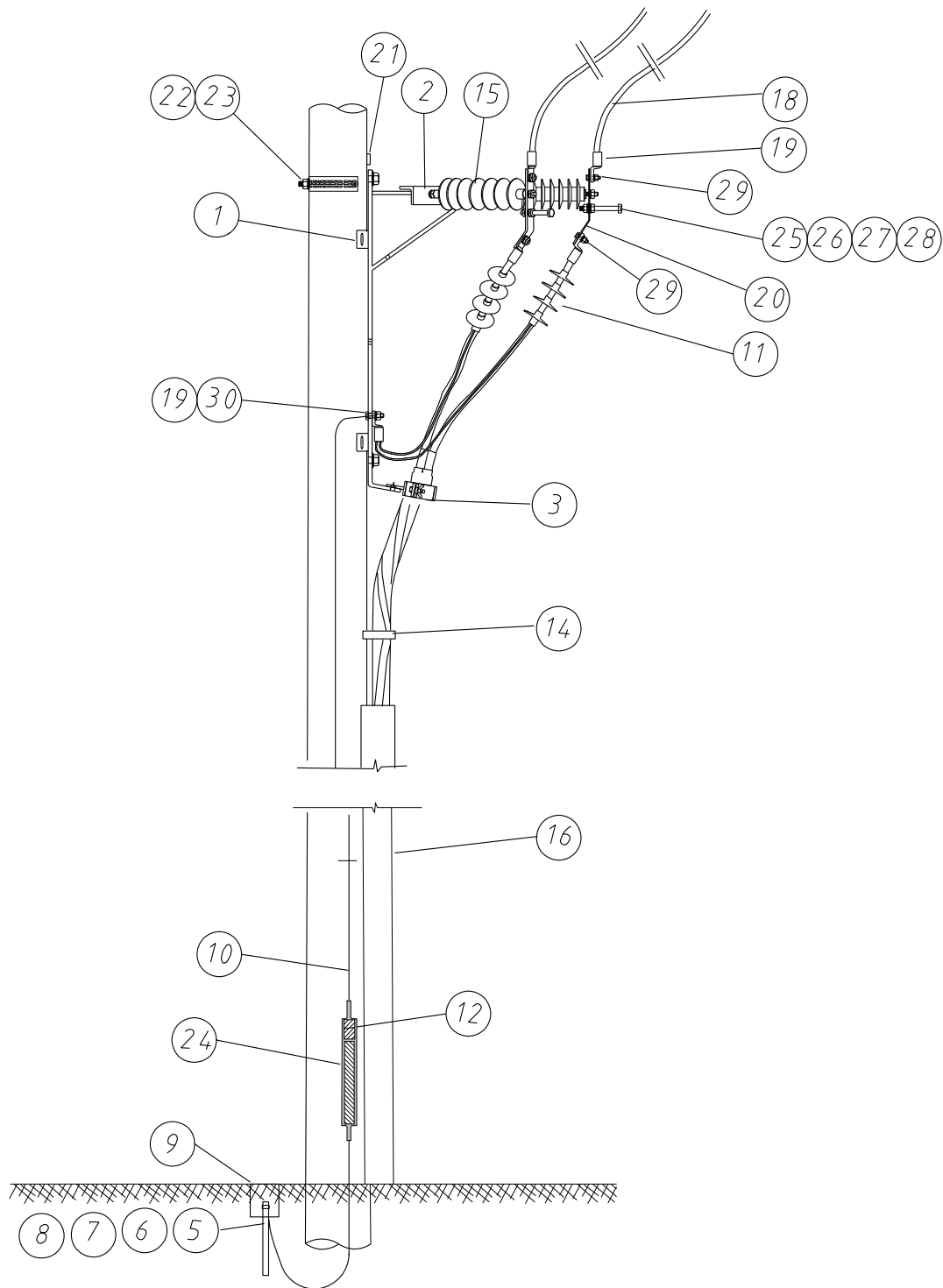
HU19_O Aerial cable termination –35 – 3 x 1c					
ITEM NUMBER	STOCK CODE	DESCRIPTION	QTY RQD	UNIT OF MEASURE	REMARKS
5	CE0058	earth clamp	1	ea	
6	CE0078	earth coupling	3	ea	
7	CE0116	driving point for earth rods	0	ea	See Note 1
8	CE0135	earth rod	4	ea	
9	CE0201	terminal box	1	ea	
10	FM0915	earth kit	1	ea	
12	CJ0498	Stalk lug 95 Cu	1	ea	
14	FM6310	cable saddle	4	ea	
14	AS1441	coach screw	8	ea	
16	HT6321	cable protector	1	ea	
18	FT0095	95 ABC 4m long	1	ea	
19	FL0401	Lug 95 ABC	4	ea	
21	CZ5007	phase indicator disc	1	ea	
22	AB6732	Pole Bolt	1	ea	
23	CE7541	Dispersion Plate	1	ea	
24	FE0055	Heatshrink	1	ea	

HU19_U_6 Cable frame termination –35 – 3 x 1c 6.6kV					
ITEM NUMBER	STOCK CODE	DESCRIPTION	QTY RQD	UNIT OF MEASURE	REMARKS
1	CB3017	cable term bracket	1	ea	
2	CB3035	arrester bracket	1	ea	
3	CB3105	cable clamp 35mm	1	ea	
11	FJ0195	cable termination kit	3	ea	
15	GA4000	surge arrester	3	ea	
20	GF1592	connector plate	3	ea	
25	AB6739	M12 bolt 120mm long	3	ea	
26	AW2429	M12 Spring lock washer	10	ea	
27	AW2607	M12 Flat washer	20	ea	
28	AN1495	M12 hex plain nut	13	ea	
29	AB2959	M12 40mm bolt	6	ea	
30	AB2965	M12 75mm bolt	1	ea	

CU	CU Description
----	----------------

HU19_U_11 Cable frame termination –35 – 3 x 1c 11kV					
ITEM NUMBER	STOCK CODE	DESCRIPTION	QTY RQD	UNIT OF MEASURE	REMARKS
1	CB3017	cable term bracket	1	ea	
2	CB3035	arrester bracket	1	ea	
3	CB3105	cable clamp 35mm	1	ea	
11	FJ0195	cable termination kit	3	ea	
15	GA4001	surge arrester	3	ea	
20	GF1592	connector plate	3	ea	
25	AB6739	M12 bolt 120mm long	3	ea	
26	AW2429	M12 Spring lock washer	10	ea	
27	AW2607	M12 Flat washer	20	ea	
28	AN1495	M12 hex plain nut	13	ea	
29	AB2959	M12 40mm bolt	6	ea	
30	AB2965	M12 75mm bolt	1	ea	

HU19_U_22 Cable frame termination –35 – 3 x 1c 22kV					
ITEM NUMBER	STOCK CODE	DESCRIPTION	QTY RQD	UNIT OF MEASURE	REMARKS
1	CB3017	cable term bracket	1	ea	
2	CB3035	arrester bracket	1	ea	
3	CB3105	cable clamp 35mm	1	ea	
11	FJ0195	cable termination kit	3	ea	
15	GA4002	surge arrester	3	ea	
20	GF1592	connector plate	3	ea	
25	AB6739	M12 bolt 120mm long	3	ea	
26	AW2429	M12 Spring lock washer	10	ea	
27	AW2607	M12 Flat washer	20	ea	
28	AN1495	M12 hex plain nut	13	ea	
29	AB2959	M12 40mm bolt	6	ea	
30	AB2965	M12 75mm bolt	1	ea	



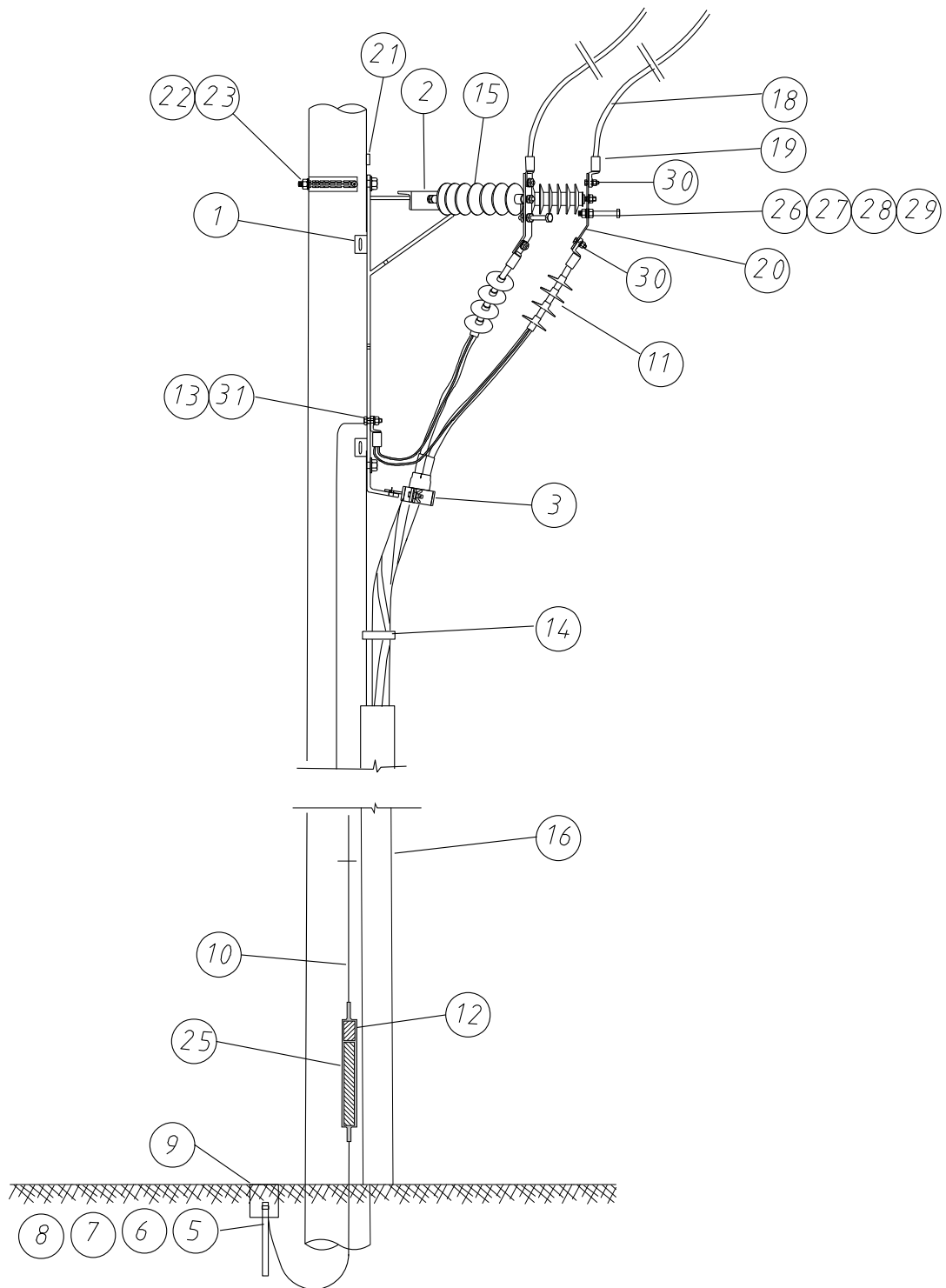
* IF CABLE TERMINATION DESIGNS TO BE INSTALLED ON THE SAME SIDE AS THE POLE TOP SWITCH ACTUATOR ROD, ORDER TWO OF THE POLE TOP SWITCH CABLE TERMINATION EXTENSION BRACKETS (CB3027).

				COMPATIBLE UNIT			DISTRIBUTION DESIGN CATALOGUE			
J	31.10.22	EARTH PARKING BOLT ADDED		CO	NMc	GS	DRAWN: JRR		DATE: 03-04-2014	
H	19.12.17	EARTHING SYSTEM MODIFIED		GG	JC	GS	ORIGINATED:		SCALE: NTS	
G	12.04.16	NOTE AND ITEM 22 & 23 ADDED		JC	REE	GS	CHECKED: REE		DRG. No. HU020	
F	14.01.08	ORIGINAL ISSUE					APPROVED: GRANT STACY		REV. J	
REV	DATE	DESCRIPTION		DRGO.	CHKD.	APRD.			SHT.	

CU	CU Description
-----------	-----------------------

HU20_O Aerial cable termination –50 – 3 x 1c					
ITEM NUMBER	STOCK CODE	DESCRIPTION	QTY RQD	UNIT OF MEASURE	REMARKS
5	CE0058	earth clamp	1	ea	
6	CE0078	earth coupling	3	ea	
7	CE0116	driving point for earth rods	0	ea	See Note 1
8	CE0135	earth rod	4	ea	
9	CE0201	terminal box	1	ea	
10	FM0915	earth kit	1	ea	
12	CJ0498	Stalk lug 95 Cu	1	ea	
14	FM6308	cable saddle	4	ea	
14	AS1441	coach screw	8	ea	
16	HT6321	cable protector	1	ea	
18	FT0095	95 ABC 4m long	1	ea	
19	FL0401	Lug 95 ABC	4	ea	
21	CZ5007	phase indicator disc	1	ea	
22	AB6732	Pole Bolt	1	ea	
23	CE7541	Dispersion Plate	1	ea	
24	FE0055	Heatshrink	1	ea	

HU20_U_33 Cable frame termination –50 – 3 x 1c 33kV					
ITEM NUMBER	STOCK CODE	DESCRIPTION	QTY RQD	UNIT OF MEASURE	REMARKS
1	CB3017	cable term bracket	1	ea	
2	CB3035	arrester bracket	1	ea	
3	CB3104	cable clamp 95mm	1	ea	
11	FJ0157	cable termination kit	3	ea	
15	GA4003	surge arrester	3	ea	
20	GF1592	connector plate	3	ea	
25	AB6739	M12 bolt 120mm long	3	ea	
26	AW2429	M12 Spring lock washer	10	ea	
27	AW2607	M12 Flat washer	20	ea	
28	AN1495	M12 hex plain nut	13	ea	
29	AB2959	M12 40mm bolt	6	ea	
30	AB2965	M12 75mm bolt	1	ea	



* IF CABLE TERMINATION DESIGNS TO BE INSTALLED ON THE SAME SIDE AS POLE TOP SWITCH CONTROL ROD, ORDER TWO POLE TOP SWITCH CABLE TERMINATION BRACKET (CB3027)

				COMPATIBLE UNIT			DISTRIBUTION DESIGN CATALOGUE			
J	31.10.22	EARTH PARKING BOLT ADDED	CO	NMc	GS	DRAWN: JRR DATE: 03-04-2014 DRG. No.		HU021		
H	19.12.17	EARTHING SYSTEM MODIFIED	GG	JC	GS	ORIGINATED: SCALE: NTS				
G	12.04.16	NOTE AND ITEM 22 & 23 ADDED	JC	REE	GS	CHECKED: REE		REV. J ISHT.		
F	08.08.01	ORIGINAL ISSUE				APPROVED: GRANT STACY				
REV	DATE	DESCRIPTION	DRGD.	CHKD.	APRD.	TITLE		CABLE POLE TERMINATION 240 - 3 x 1 CORE		

CU	CU Description
----	----------------

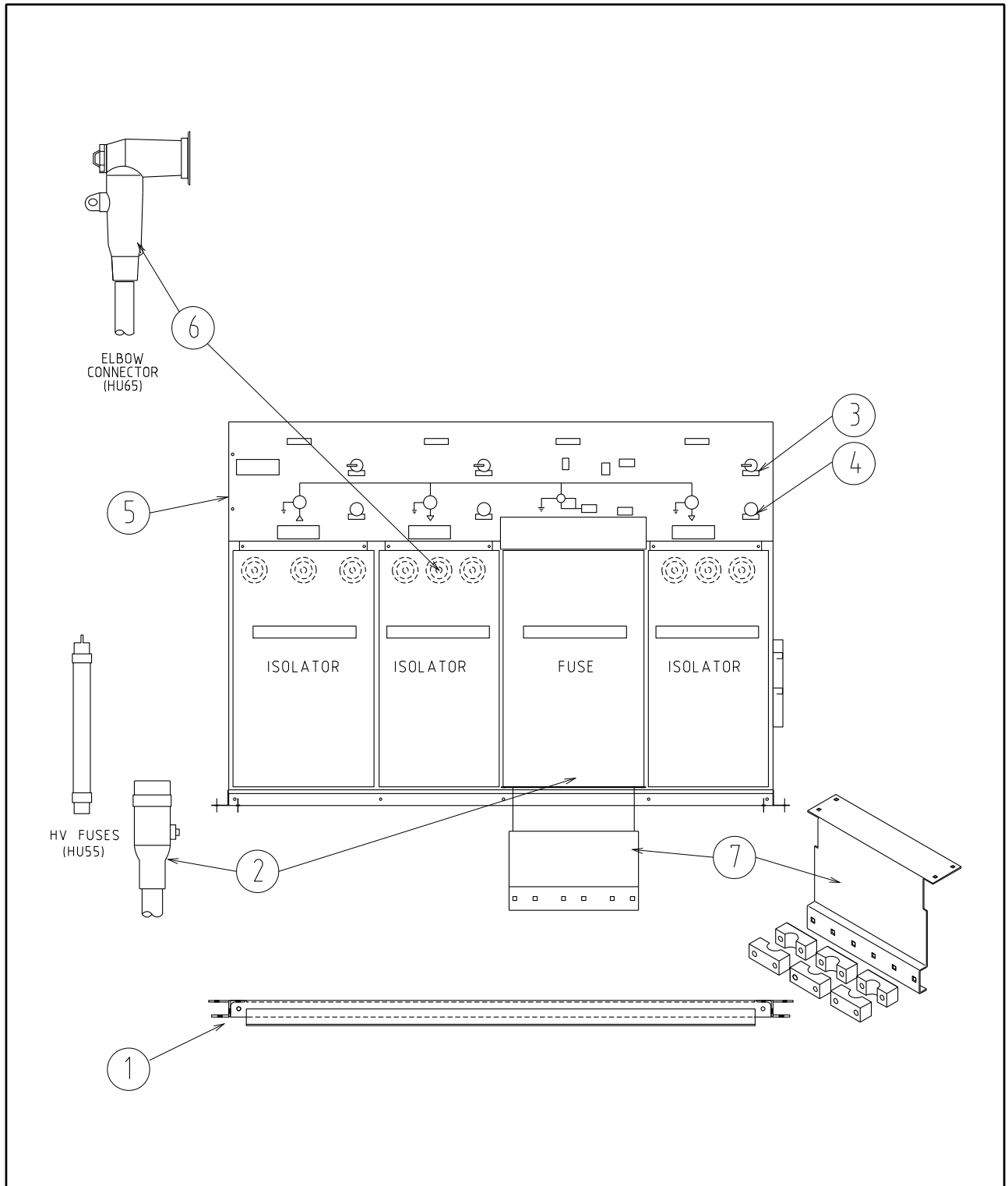
HU21_O		Aerial cable termination–240 – 3 x 1c			
ITEM NUMBER	STOCK CODE	DESCRIPTION	QTY RQD	UNIT OF MEASURE	REMARKS
5	CE0058	earth clamp	1	ea	
6	CE0078	earth coupling	3	ea	
7	CE0116	driving point for earth rods	0	ea	See Note 1
8	CE0135	earth rod	4	ea	
9	CE0201	terminal box	1	ea	
10	FM0915	earth kit	1	ea	
12	CJ0498	Stalk lug 95 Cu	1	ea	
13	FL0401	Lug 95 ABC	1	ea	
14	FM6312	cable saddle	4	ea	
14	AS1441	coach screw	8	ea	
16	HT6321	cable protector	1	ea	
18	FT0150	150 ABC 4m long	1	ea	
19	FL0402	150 ABC terminal lug	3	ea	
21	CZ5007	phase indicator disc	1	ea	
22	AB6732	Pole Bolt	1	ea	
23	CE7541	Dispersion Plate	1	ea	
25	FE0055	Heatshrink	1	ea	

HU21_U_6		Cable frame termination – 240 – 3 x 1c 6.6kV			
ITEM NUMBER	STOCK CODE	DESCRIPTION	QTY RQD	UNIT OF MEASURE	REMARKS
1	CB3017	cable term bracket	1	ea	
2	CB3035	arrester bracket	1	ea	
3	CB3106	cable clamp 185-400mm	1	ea	
11	FJ0184	cable termination kit	1	ea	
15	GA4000	surge arrester	3	ea	
20	GF1592	connector plate	3	ea	
26	AB6739	M12 bolt 120mm long	3	ea	
27	AW2429	M12 Spring lock washer	10	ea	
28	AW2607	M12 Flat washer	20	ea	
29	AN1495	M12 hex plain nut	13	ea	
30	AB2959	M12 40mm bolt	6	ea	
31	AB2965	M12 75mm bolt	1	ea	

CU	CU Description
----	----------------

HU21_U_11 Cable frame termination – 240 – 3 x 1c 11kV					
ITEM NUMBER	STOCK CODE	DESCRIPTION	QTY RQD	UNIT OF MEASURE	REMARKS
1	CB3017	cable term bracket	1	ea	
2	CB3035	arrester bracket	1	ea	
3	CB3106	cable clamp 185-400mm	1	ea	
11	FJ0184	cable termination kit	1	ea	
15	GA4001	surge arrester	3	ea	
20	GF1592	connector plate	3	ea	
26	AB6739	M12 bolt 120mm long	3	ea	
27	AW2429	M12 Spring lock washer	10	ea	
28	AW2607	M12 Flat washer	20	ea	
29	AN1495	M12 hex plain nut	13	ea	
30	AB2959	M12 40mm bolt	6	ea	
31	AB2965	M12 75mm bolt	1	ea	

HU21_U_22 Cable frame termination – 240 – 3 x 1c 22kV					
ITEM NUMBER	STOCK CODE	DESCRIPTION	QTY RQD	UNIT OF MEASURE	REMARKS
1	CB3017	cable term bracket	1	ea	
2	CB3035	arrester bracket	1	ea	
3	CB3106	cable clamp 185-400mm	1	ea	
11	FJ0184	cable termination kit	1	ea	
15	GA4002	surge arrester	3	ea	
20	GF1592	connector plate	3	ea	
26	AB6739	M12 bolt 120mm long	3	ea	
27	AW2429	M12 Spring lock washer	10	ea	
28	AW2607	M12 Flat washer	20	ea	
29	AN1495	M12 hex plain nut	13	ea	
30	AB2959	M12 40mm bolt	6	ea	
31	AB2965	M12 75mm bolt	1	ea	



NOTE:-
 1. 400mm² ELBOW SUPPLIED BY DEFAULT.
 REFER TO HU65 FOR 185-240mm² ELBOW CUs.
 DESIGNER TO REMOVE FC0280 IF NOT USING 400mm² CABLE.

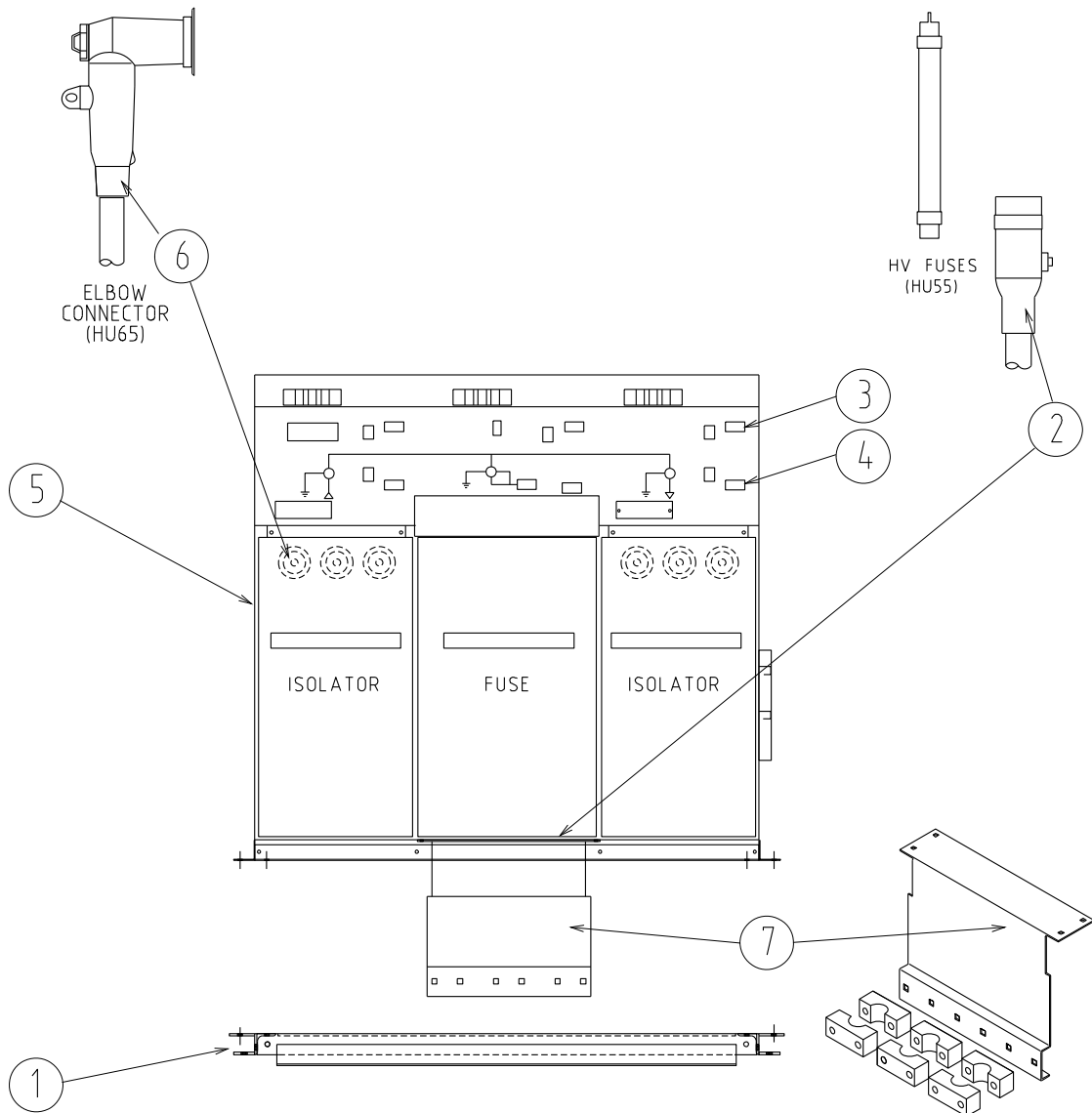
THIS FUNCTION: IIQI (3+1)

				COMPATIBLE UNIT			DISTRIBUTION DESIGN CATALOGUE			
				TITLE			DRAWN: JRR		DATE: 16-04-2016	
				SCHNEIDER RM6 INDOOR SWITCHGEAR			ORIGINATED:		SCALE: NTS	
				EXTENSIBLE 3 + 1			CHECKED: REE		DRG. No. HU22	
							APPROVED:		REV. C	
							GRANT STACY			
REV	DATE	DESCRIPTION	DRGD	CHKD	APRD					
C	29.12.23	NOTE REVISED	TCM	SL	CO					
B	01.11.16	NOTE 1 ADDED	JC	REE	GS					
A	13.01.09	ORIGINAL ISSUE								

CU	CU Description
----	----------------

HU22_M400 Manual, Switchgear Indoor 3+1 RE – 400mm ² cable, 22kV					
ITEM NUMBER	STOCK CODE	DESCRIPTION	QTY RQD	UNIT OF MEASURE	REMARKS
1	CB0461	RM6 Switchgear base frame (4-way)	1	ea	
2	FC0317	Straight Connector 35 mm ²	1	set	
3	OH0211	padlock	4	ea	
4	OH0194	padlock	4	ea	
5	XA2623	RM6 RE Switchgear 3+1	1	ea	
6	FC0280	Elbow Connector, 400 mm ²	3	set	See Note 1
7	XA2664	Fuse-switch cable support	1	ea	

HU22_A400 Automatable, Switchgear Indoor 3+1 RE – 400mm ² cable, 22kV					
ITEM NUMBER	STOCK CODE	DESCRIPTION	QTY RQD	UNIT OF MEASURE	REMARKS
1	CB0461	RM6 Switchgear base frame (4-way)	1	ea	
2	FC0317	Straight Connector 35 mm ²	1	set	
3	OH0211	padlock	4	ea	
4	OH0194	padlock	4	ea	
5	XA2633	RM6 RE Switchgear 3+1, motorised	1	ea	
6	FC0280	Elbow Connector, 400 mm ²	3	set	See Note 1
7	XA2664	Fuse-switch cable support	1	ea	



NOTE:-
 1. 400mm² ELBOW SUPPLIED BY DEFAULT.
 REFER TO HU65 FOR 185-240mm² ELBOW CUs.
 DESIGNER TO REMOVE FC0280 IF NOT USING 400mm² CABLE.

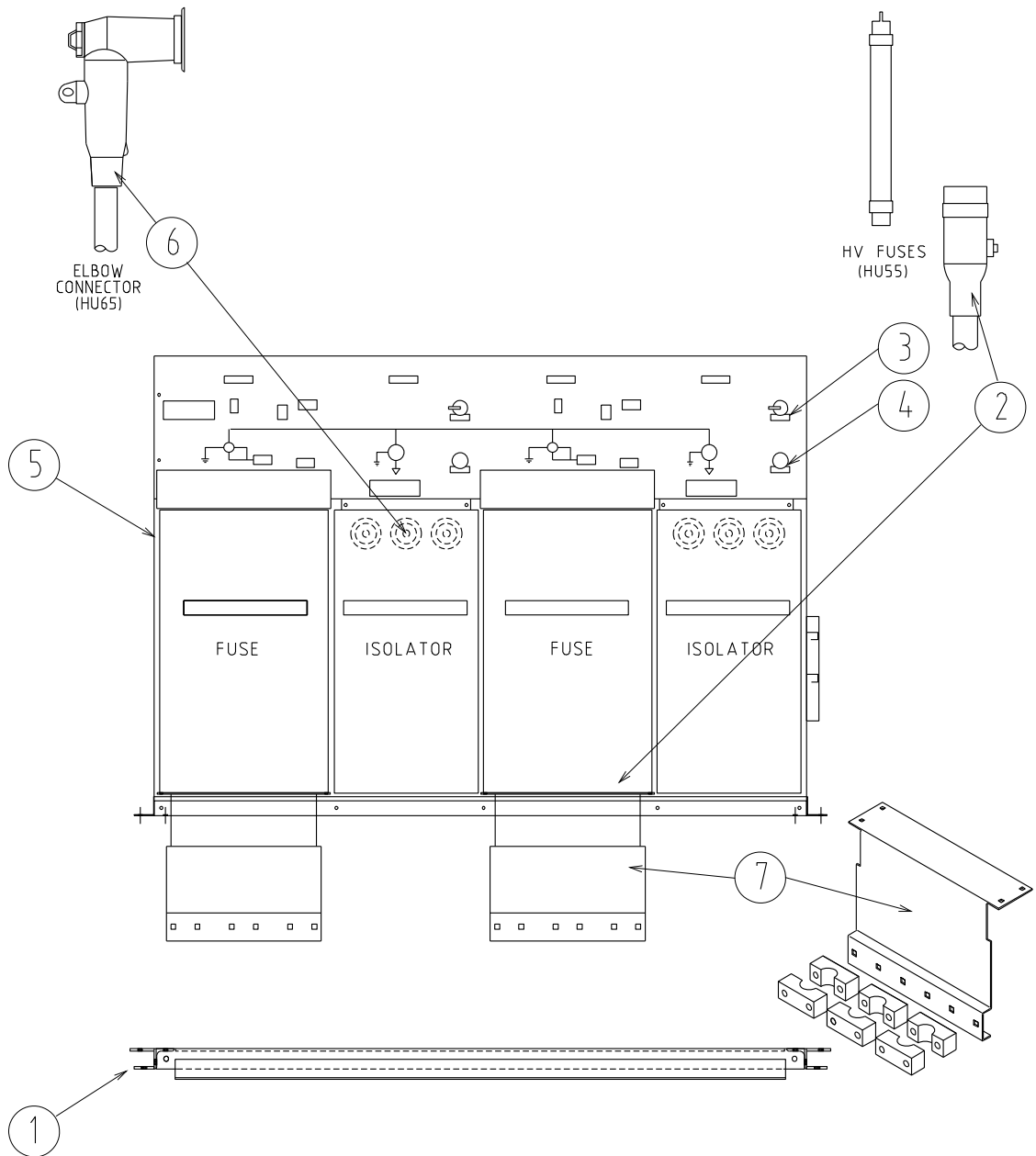
THIS FUNCTION: IQI (2+1)

				COMPATIBLE UNIT			DISTRIBUTION DESIGN CATALOGUE			
				TITLE			DRAWN: JRR		DATE: 14-04-2014	
				SCHNEIDER RM6 INDOOR SWITCHGEAR EXTENSIBLE 2 + 1			ORIGINATED:		SCALE: NTS	
							CHECKED: REE		DRG. No. HU23	
							APPROVED: GRANT STACY		REV. C	
REV	DATE	DESCRIPTION	ORGD.	CHKD.	APRD.					

CU	CU Description
-----------	-----------------------

HU23_M400 Manual, Switchgear Indoor 2+1 RE – 400mm² cable, 22kV					
ITEM NUMBER	STOCK CODE	DESCRIPTION	QTY RQD	UNIT OF MEASURE	REMARKS
1	CB0460	RM6 Switchgear base frame (3-way)	1	ea	
2	FC0317	Straight Connector 35 mm ²	1	set	
3	OH0211	padlock	3	ea	
4	OH0194	padlock	3	ea	
5	XA2621	RM6 RE switchgear 2+1	1	ea	
6	FC0280	Elbow Connector, 400 mm ²	2	set	See Note 1
7	XA2664	Fuse-switch cable support	1	ea	

HU23_A400 Automatable, Switchgear Indoor 2+1 RE, 400mm² cable, 22kV					
ITEM NUMBER	STOCK CODE	DESCRIPTION	QTY RQD	UNIT OF MEASURE	REMARKS
1	CB0460	RM6 Switchgear base frame (3-way)	1	ea	
2	FC0317	Straight Connector 35 mm ²	1	set	
3	OH0211	padlock	3	ea	
4	OH0194	padlock	3	ea	
5	XA2631	RM6 RE Switchgear 2+1, motorised	1	ea	
6	FC0280	Elbow Connector, 400 mm ²	2	set	See Note 1
7	XA2664	Fuse-switch cable support	1	ea	



NOTE:-
 1. 400mm² ELBOW SUPPLIED BY DEFAULT.
 REFER TO HU65 FOR 185-240mm² ELBOW CUs.
 DESIGNER TO REMOVE FC0280 IF NOT USING 400mm² CABLE.

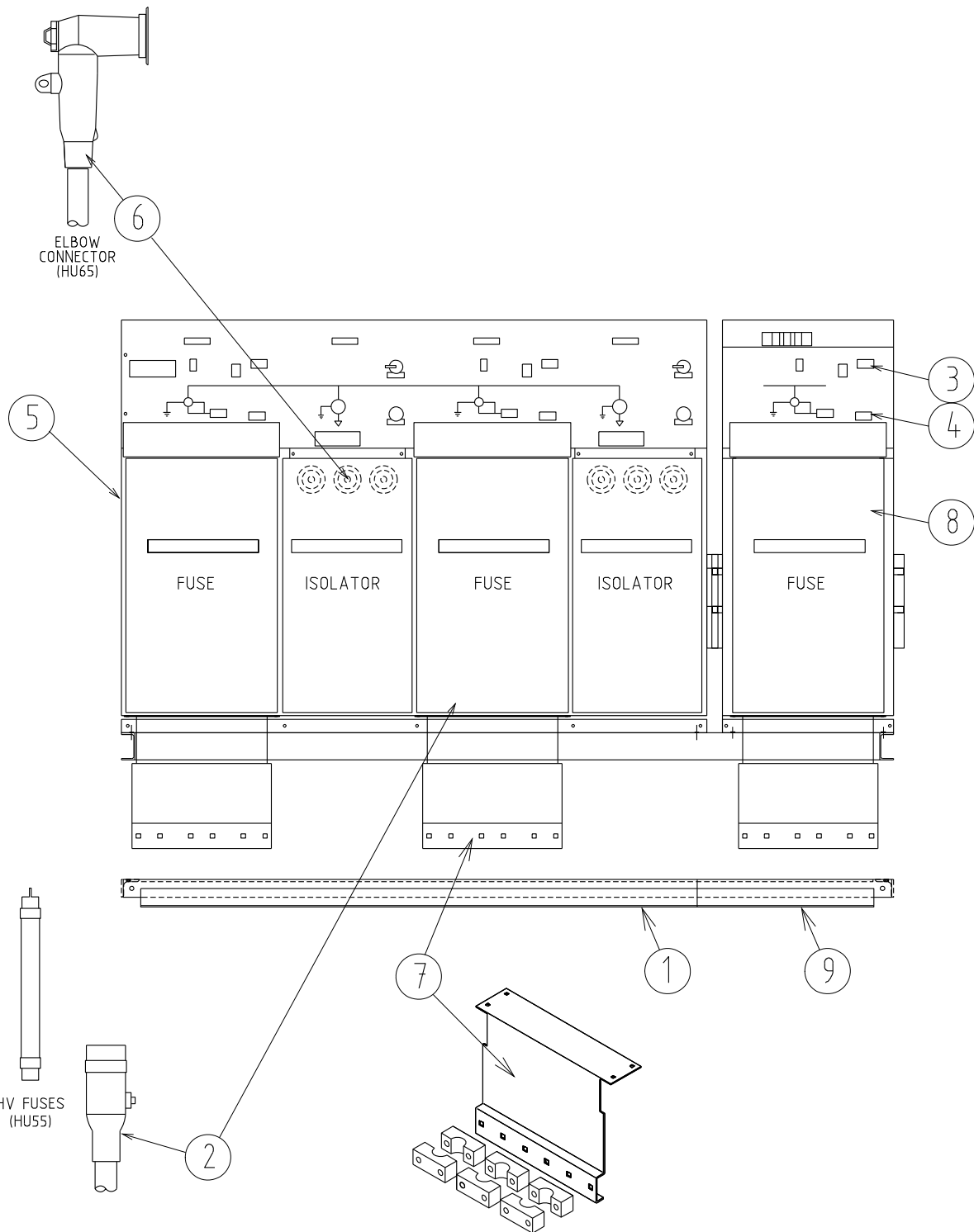
THIS FUNCTION: QIQI (2+2)

				COMPATIBLE UNIT			DISTRIBUTION DESIGN CATALOGUE				
				TITLE			DRAWN: JRR		DATE: 14-04-2014 DRG. No.		
				SCHNEIDER RM6 INDOOR SWITCHGEAR			ORIGINATED:		SCALE: NTS		
				EXTENSIBLE 2 + 2			CHECKED: REE		HU24		
							APPROVED:		REV. C		
							GRANT STACY		SHT.		
REV	DATE	DESCRIPTION	ORGO	CHKD	APRD						
C	29.12.23	NOTE REVISED		TCM	SL	CO					
B	01.11.16	NOTE 1 ADDED		JC	REE	GS					
A	08.08.01	ORIGINAL ISSUE									

CU	CU Description
-----------	-----------------------

HU24_M400 Manual, Switchgear Indoor 2+2 RE – 400mm² cable, 22kV					
ITEM NUMBER	STOCK CODE	DESCRIPTION	QTY RQD	UNIT OF MEASURE	REMARKS
1	CB0461	RM6 Switchgear base frame (4-way)	1	ea	
2	FC0317	Straight Connector 35 mm ²	2	set	
3	OH0211	padlock	4	ea	
4	OH0194	padlock	4	ea	
5	XA2624	RM6 RE switchgear 2+2	1	ea	
6	FC0280	Elbow Connector, 400 mm ²	2	set	See Note 1
7	XA2664	Fuse-switch cable support	2	ea	

HU24_A400 Automatable, Switchgear Indoor 2+2 RE – 400mm² cable, 22kV					
ITEM NUMBER	STOCK CODE	DESCRIPTION	QTY RQD	UNIT OF MEASURE	REMARKS
1	CB0461	RM6 Switchgear base frame (4-way)	1	ea	
2	FC0317	Straight Connector 35 mm ²	2	set	
3	OH0211	Padlock	4	ea	
4	OH0194	Padlock	4	ea	
5	XA2634	RM6 RE Switchgear 2+2, motorised	1	ea	
6	FC0280	Elbow Connector, 400 mm ²	2	Set	See Note 1
7	XA2664	Fuse-switch cable support	2	ea	



NOTE:-
 1. 400mm² ELBOW SUPPLIED BY DEFAULT.
 REFER TO HU65 FOR 185-240mm² ELBOW CUs.
 DESIGNER TO REMOVE FC0280 IF NOT USING 400mm² CABLE.

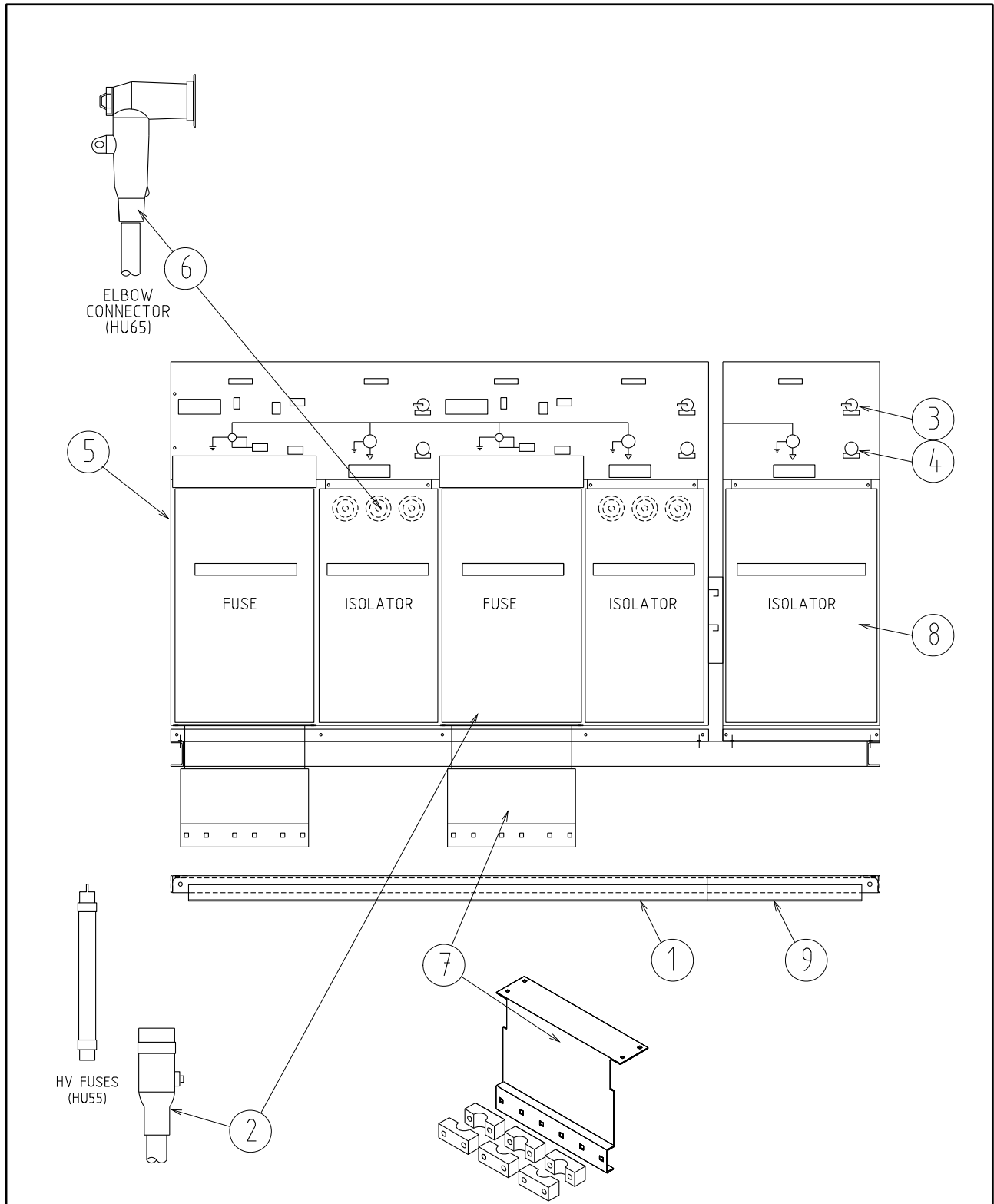
THIS FUNCTION: QIQI+Q (2+3)

				COMPATIBLE UNIT		DISTRIBUTION DESIGN CATALOGUE			
				TITLE		DRAWN: JRR		DATE: 03-04-2014	
				SCHNEIDER RM6 INDOOR SWITCHGEAR		ORIGINATED:		SCALE: NTS	
				EXTENSIBLE 2 + 3		CHECKED: REE		DRG. No.	
						APPROVED: GRANT STACY		HU25-2S	
								REV. C	
REV	DATE	DESCRIPTION	DRG.	CHKD.	APRD.			SHT.	
C	29.12.23	NOTE REVISED		TCM	SL				
B	01.11.16	NOTE 1 ADDED		JC	REE				
A	30.04.12	ORIGINAL ISSUE			GS				

CU	CU Description
----	----------------

HU25_2S_400 Manual Switchgear Indoor 2+3 RE – 400mm ² cable, 22kV					
ITEM NUMBER	STOCK CODE	DESCRIPTION	QTY RQD	UNIT OF MEASURE	REMARKS
1	CB0462	RM6 Switchgear base frame (5-way)	1	ea	
2	FC0317	Straight Connector 35 mm ²	3	set	
3	OH0211	Padlock	5	ea	
4	OH0194	Padlock	5	ea	
5	XA2625	RM6 Switchgear 2+3,	1	ea	
6	FC0280	Elbow 400mm ²	2	set	See Note 1
7	XA2664	Fuse-switch cable support	3	ea	

HU25_2S_A400 Automatable, Switchgear Indoor 2+3 RE – 400mm ² cable, 22kV					
ITEM NUMBER	STOCK CODE	DESCRIPTION	QTY RQD	UNIT OF MEASURE	REMARKS
1	CB0461	RM6 Switchgear base frame (4-way)	1	ea	
2	FC0317	Straight Connector 35 mm ²	3	set	
3	OH0211	Padlock	5	ea	
4	OH0194	Padlock	5	ea	
5	XA2634	RM6 RE Switchgear 2+2, motorised	1	ea	
6	FC0280	Elbow 400mm ²	2	Set	See Note 1
7	XA2664	Fuse-switch cable support	3	ea	
8	XA2628	RM6 DE Switchgear 0+1, with extension kit	1	ea	Extension kit included
9	CB0463	RM6 Switchgear base frame (1-way)	1	ea	



NOTE:-
 1. 400mm² ELBOW SUPPLIED BY DEFAULT.
 REFER TO HU65 FOR 185-240mm² ELBOW CUs.
 DESIGNER TO REMOVE FC0280 IF NOT USING 400mm² CABLE.

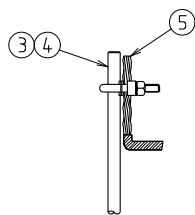
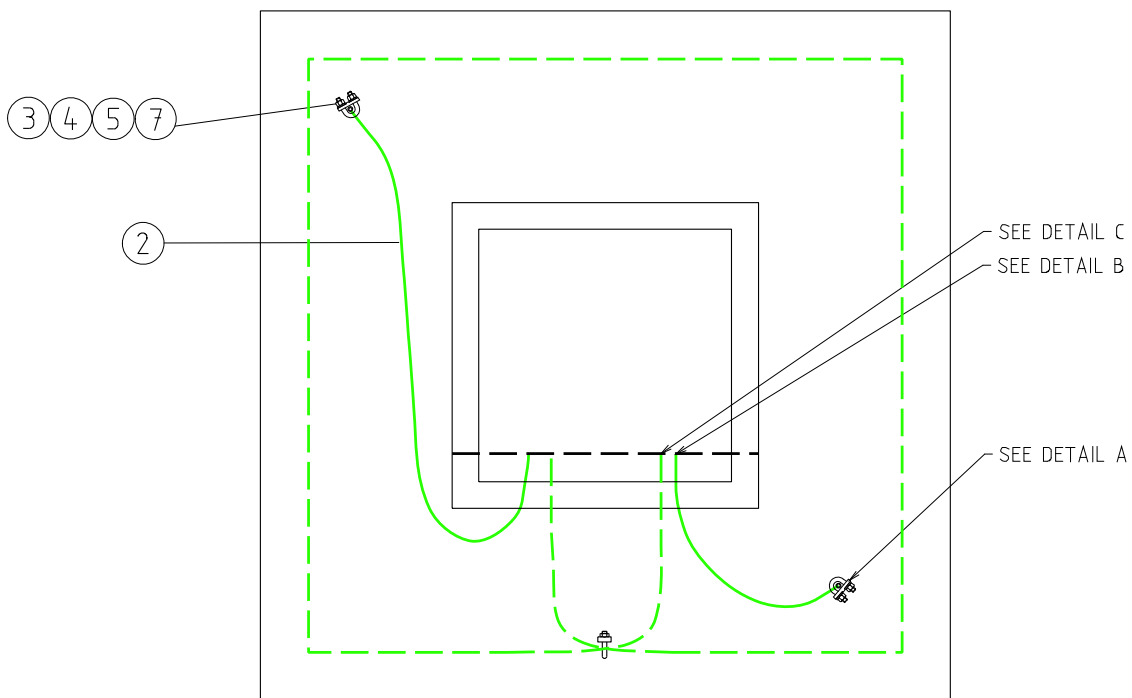
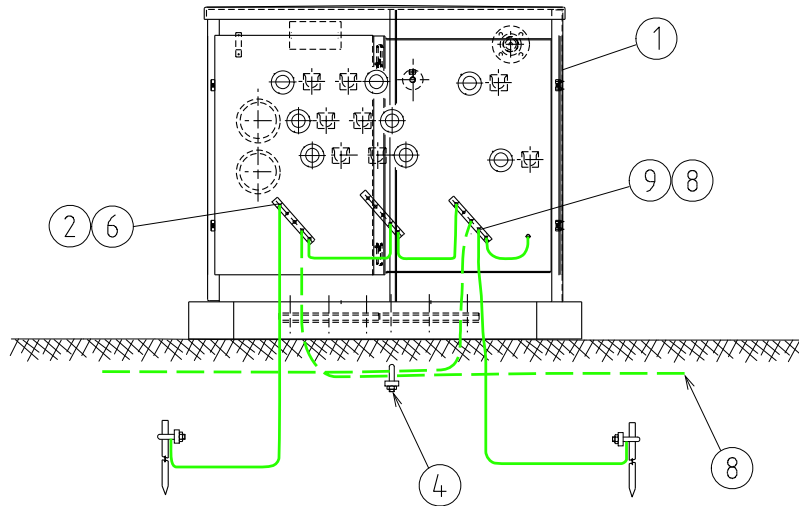
THIS FUNCTION: QIQI+I (3+2)

				COMPATIBLE UNIT		DISTRIBUTION DESIGN CATALOGUE			
				TITLE		DRAWN: JRR DATE: 03-04-2014 DRG. No.			
				SCHNEIDER RM6 INDOOR SWITCHGEAR		ORIGINATED: SCALE: NTS		HU25-3S	
				EXTENSIBLE 3 + 2		CHECKED: REE		REV: C	
						APPROVED: GRANT STACY		ISHT.	
REV	DATE	DESCRIPTION	ORGD	CHKD	APRD				
C	29.12.23	NOTE REVISED	TCM	SL	CO				
B	01.11.16	NOTE 1 ADDED	JC	REE	GS				
A	30.04.12	ORIGINAL ISSUE							

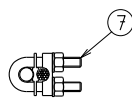
CU	CU Description
----	----------------

HU25_3S_400 Manual Switchgear Indoor 3+2 RE – 400mm ² cable, 22kV					
ITEM NUMBER	STOCK CODE	DESCRIPTION	QTY RQD	UNIT OF MEASURE	REMARKS
1	CB0462	RM6 Switchgear base frame (5-way)	1	ea	
2	FC0317	Straight Connector 35 mm ²	2	set	
3	OH0211	Padlock	5	ea	
4	OH0194	Padlock	5	ea	
5	XA2626	RM6 Switchgear 3+2, RE	1	ea	
6	FC0280	Elbow Connector, 400 mm ²	3	set	See Note 1
7	XA2664	Fuse-switch cable support	2	ea	

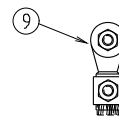
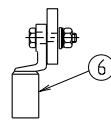
HU25_3S_A400 Automatable, Switchgear Indoor 3+2 – 400mm ² cable, 22kV					
ITEM NUMBER	STOCK CODE	DESCRIPTION	QTY RQD	UNIT OF MEASURE	REMARKS
1	CB0461	RM6 Switchgear base frame (4-way)	1	ea	
2	FC0317	Straight Connector 35 mm ²	2	set	
3	OH0211	Padlock	5	ea	
4	OH0194	Padlock	5	ea	
5	XA2634	RM6 RE Switchgear 2+2, motorised	1	ea	
6	FC0280	Elbow Connector, 400 mm ²	3	set	See Note 1
7	XA2664	Fuse-switch cable support	2	ea	
8	XA2635	RM6 DE Switchgear 1+0, motorized, with extension kit	1	ea	Extension kit included
9	CB0463	RM6 Switchgear base frame (1-way)	1	ea	



DETAIL A



DETAIL B



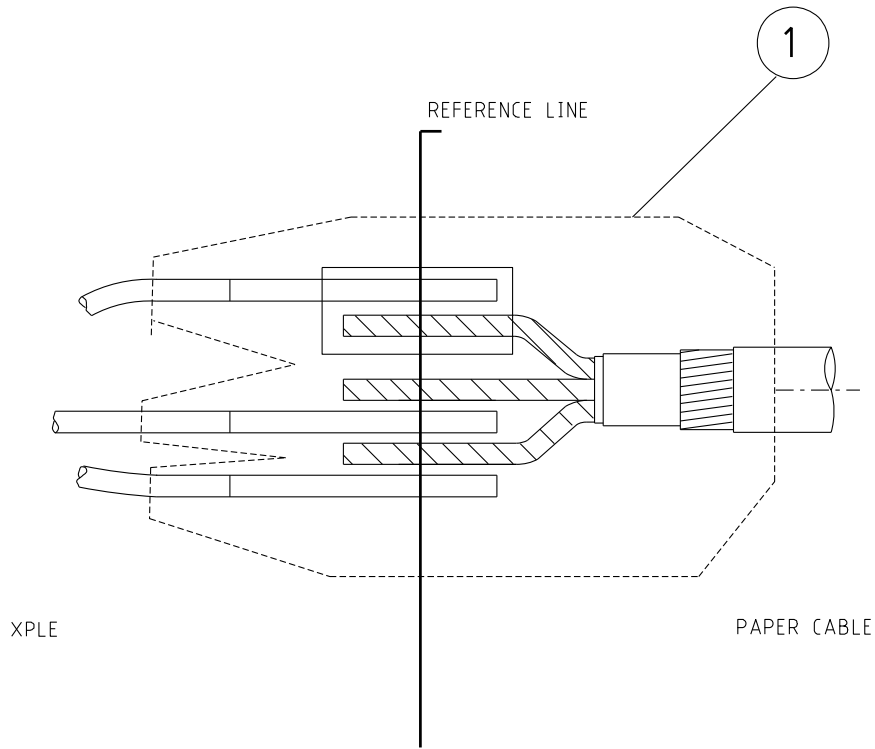
DETAIL C

NOTES:-
1. ORDER CE0116 FOR HARD SOIL.

				TITLE			DISTRIBUTION DESIGN CATALOGUE		westernpower	
				COMPATIBLE UNIT			DRAWN: JRR		DATE: 03-04-2014	
				OLD & NEW SPUDS ISOLATION TRANSFORMER 315kVA			ORIGINATED: []		SCALE: NTS	
							CHECKED: REE		DRG. No. HU027	
							APPROVED: GRANT STACY		REV. C	
REV	DATE	DESCRIPTION	ORGD.	CHKD.	APRD.					
C	08.08.23	NOTES REVISED	AC	ML	CO					
B	16.05.18	EARTHING SYSTEM MODIFIED	NMc	CO	GS					
A	21.01.99	ORIGINAL ISSUE								

CU	CU Description
----	----------------

HU27_315/22 (NEW) SPUDS isolation transformer 315/22kV					
ITEM NUMBER	STOCK CODE	DESCRIPTION	QTY RQD	UNIT OF MEASURE	REMARKS
1	XT0226	isolation tx ground mounted	1	ea	
2	EE1264	conductor 70mm ² PVC insulated copper green / yellow	10	mr	
3	CE0135	earth rod	14	ea	
4	CE0058	earth clamp	3	ea	
5	CE0078	earth coupling	12	ea	
6	FL1465	earthing lug	6	ea	
7	CE0116	driving point for earth rods	0	ea	See Note 2
8	EM0014	conductor 70mm ² bare copper clad steel	1	coil	30m
9	FL0144	Bolted Q-lug	2	ea	

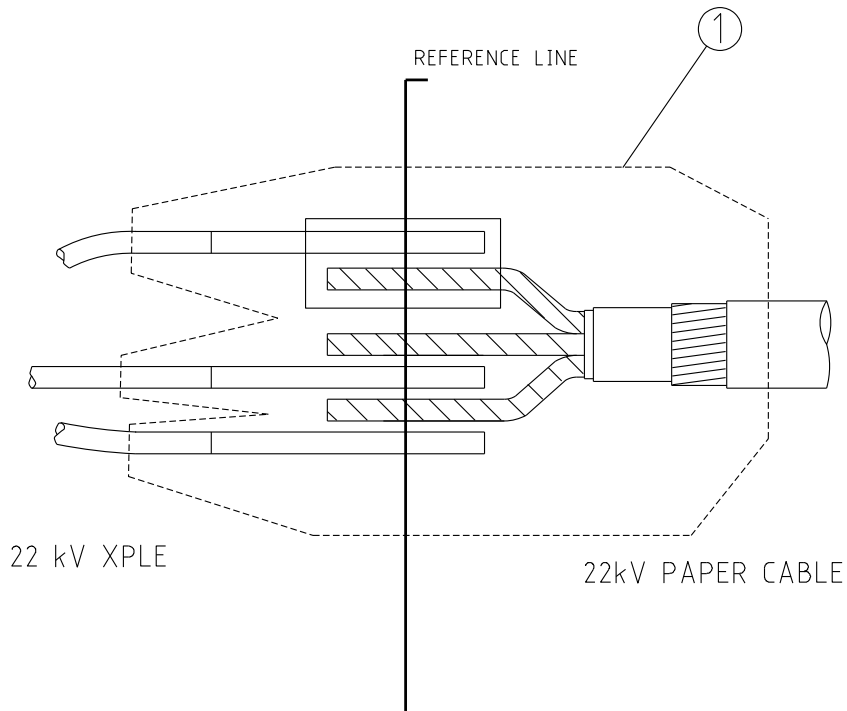


				COMPATIBLE UNIT		DISTRIBUTION DESIGN CATALOGUE			
				TITLE		DRAWN: JRR		DATE: 04-04-2014	
				TRANSITION JOINT		ORIGINATED:		SCALE: NTS	
				50PILSWA - 35XLPE 3 x 1c		CHECKED: REE		DRG. No. HU028	
						APPROVED: GRANT STACY		REV. D	
								SHT.	
D	05 01 06	ORIGINAL ISSUE		DRG.	CHKD.	APRD.			
REV	DATE	DESCRIPTION							

CU	CU Description
-----------	-----------------------

HU28	Transition joint – 50 pil to 35 – 3 x 1c				
-------------	---	--	--	--	--

ITEM NUMBER	STOCK CODE	DESCRIPTION	QTY RQD	UNIT OF MEASURE	REMARKS
1	FJ0338	splice 35 to 50	1	ea	



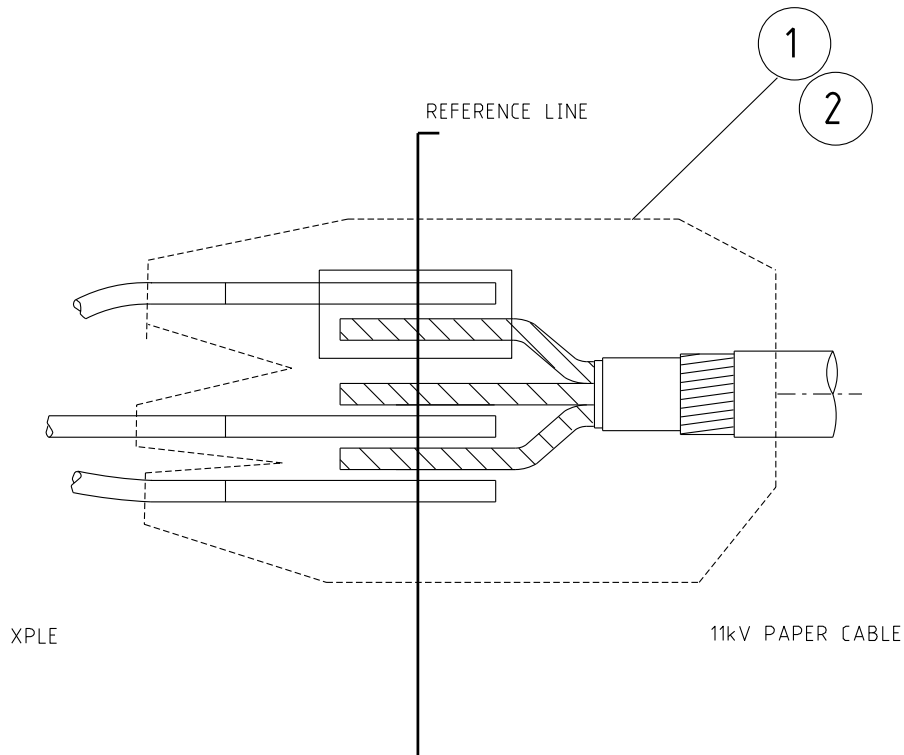
NOTES:-
 1. USE CU HU30 FOR 11kV RATED PILSWA CABLE TRANSITION TO XLPE.

				COMPATIBLE UNIT		DISTRIBUTION DESIGN CATALOGUE			
				TITLE		DRAWN: JRR DATE: 14-04-2014 DRG. No.			
				TRANSITION JOINT FOR 22kV CABLE		ORIGINATED: SCALE: NTS		HU029	
				185-240 PILSWA TO 185-400 XLPE 3x1c		CHECKED: REE		REV. C	
						APPROVED: GRANT STACY		SHT.	
REV	DATE	DESCRIPTION	ORGD.	CHKD.	APRD.				
C	30.10.18	TITLE CHANGED	CO	NN	GS				
B	14.01.08	ORIGINAL ISSUE							

CU	CU Description
-----------	-----------------------

HU29	22kV CABLE 3C 185-240 PILC – 3 X 1C 185-400 XLPE				
-------------	---	--	--	--	--

ITEM NUMBER	STOCK CODE	DESCRIPTION	QTY RQD	UNIT OF MEASURE	REMARKS
1	FJ0403	Splice 185-240PILC to 185-400 XLPE	1	ea	



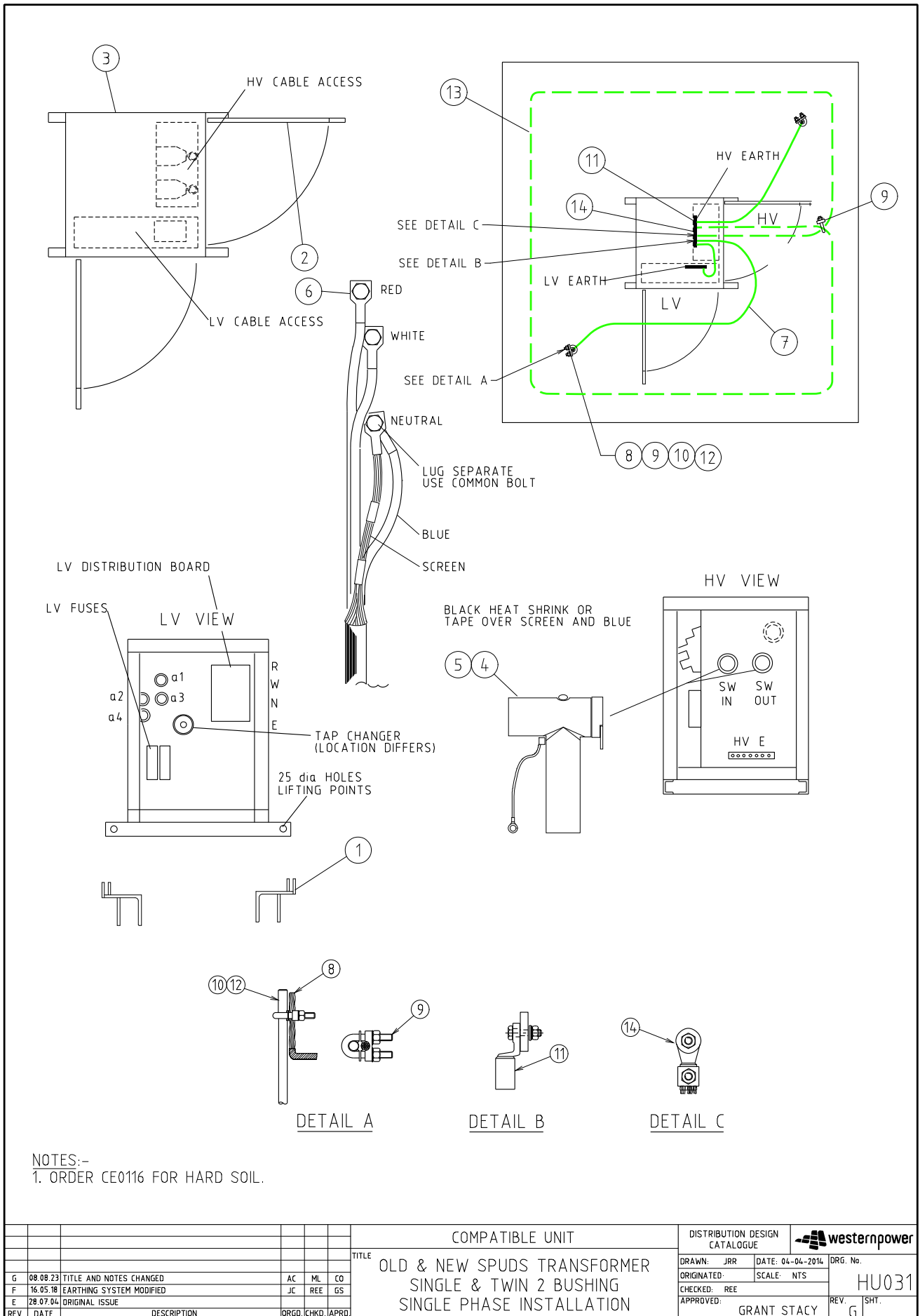
NOTE:
 USE FJ0310 & FJ0405 FOR 11kV RATED
 PILSWA CABLE TRANSITION TO XLPE

				COMPATIBLE UNIT		DISTRIBUTION DESIGN CATALOGUE			
				TITLE		DRAWN: JRR DATE: 04-04-2014		DRG. No.	
				TRANSITION JOINT FOR 11kV CABLE		ORIGINATED: SCALE: NTS		HU030	
				185-300PILSWA - 185-400XLPE 3x1C		CHECKED: REE		REV. SHIT.	
						APPROVED: GRANT STACY		A	
REV	DATE	DESCRIPTION	ORGD.	CHKD.	APRD.				
A	28.06.10	ORIGINAL ISSUE							

CU	CU Description
-----------	-----------------------

HU30_400	11kV CABLE 3C 185-240 PILC – 3 X 1C 185-400 XLPE				
-----------------	---	--	--	--	--

ITEM NUMBER	STOCK CODE	DESCRIPTION	QTY RQD	UNIT OF MEASURE	REMARKS
1	FJ0406	Splice 185-240 PILC to 185-400 XLPE	1	ea	



NOTES:-
1. ORDER CE0116 FOR HARD SOIL.

				COMPATIBLE UNIT				DISTRIBUTION DESIGN CATALOGUE			
				TITLE OLD & NEW SPUDS TRANSFORMER SINGLE & TWIN 2 BUSHING SINGLE PHASE INSTALLATION				DRAWN: JRR DATE: 04-04-2014 DRG. No.		HU031	
								ORIGINATED: SCALE: NTS			
								CHECKED: REE			
								APPROVED: GRANT STACY		REV. G SHT.	
REV	DATE	DESCRIPTION	ORGO.	CHKD.	APPRO.						
G	08.08.23	TITLE AND NOTES CHANGED		AC	ML	CO					
F	16.05.18	EARTHING SYSTEM MODIFIED		JC	REE	GS					
E	28.07.04	ORIGINAL ISSUE									

CU	CU Description
----	----------------

HU31_M25/22 (New) Metro 25kVA/12.7kV Single TX Installation					
ITEM NUMBER	STOCK CODE	DESCRIPTION	QTY RQD	UNIT OF MEASURE	REMARKS
1	CB0450	transformer base bracket	4	ea	
2	OH0194	Padlock	2	ea	
3	XA2436	25kVA transformer (3 Bushing)	1	ea	
	FC0320	Dead end receptacle for third bushing	1	ea	
4	FC0316	Elbow Connector 35 mm ²	1	set	Set of 3
5	FL1448	terminal lug	2	ea	
6	FL1442	Crimp lug – 25mm ² copper	20	ea	
7	EE1264	conductor 70mm ² PVC insulated copper green / yellow	10	mr	
8	CE0135	earth rod	12	ea	
9	CE0058	earth clamp	3	ea	
10	CE0078	earth coupling	10	ea	
11	FL1465	earthing lug	4	ea	
12	CE0116	driving point for earth rods	0	ea	See Note 2
13	EM0014	conductor 70mm ² bare copper clad steel	1	coil	30m
14	FL0144	Bolted Q-lug	2	ea	

HU31_R25/22 (New) Rural, 25kVA/12.7kV Single TX Installation					
ITEM NUMBER	STOCK CODE	DESCRIPTION	QTY RQD	UNIT OF MEASURE	REMARKS
1	CB0450	transformer base bracket	4	ea	
2	OH0194	Padlock	2	ea	
3	XA2436	25kVA transformer (3 Bushing)	1	ea	
	FC0320	Dead end receptacle for third bushing	1	ea	
4	FC0316	Elbow Connector 35 mm ²	1	set	Set of 3
5	FL1448	terminal lug	2	ea	
6	FL1442	Crimp lug – 25mm ² copper	20	ea	
7	EE1264	conductor 70mm ² PVC insulated copper green / yellow	10	mr	
8	CE0135	earth rod	12	ea	
9	CE0058	earth clamp	3	ea	
10	CE0078	earth coupling	10	ea	
11	FL1465	earthing lug	4	ea	
12	CE0116	driving point for earth rods	0	ea	See Note 2
13	EM0014	conductor 70mm ² bare copper clad steel	1	coil	30m
14	FL0144	Bolted Q-lug	2	ea	

CU	CU Description
----	----------------

HU31_M50/22 (New) Metro 50kVA/12.7kV Single TX Installation					
ITEM NUMBER	STOCK CODE	DESCRIPTION	QTY RQD	UNIT OF MEASURE	REMARKS
2	OH0194	Padlock	2	ea	
3	XA2434	50kVA transformer	1	ea	
4	FC0316	Elbow Connector 35 mm ²	1	set	Set of 3
5	FL1448	terminal lug	2	ea	
6	FL1442	Crimp lug – 25mm ² copper	20	ea	
7	EE1264	conductor 70mm ² PVC insulated copper green / yellow	10	mr	
8	CE0135	earth rod	12	ea	
9	CE0058	earth clamp	3	ea	
10	CE0078	earth coupling	10	ea	
11	FL1465	earthing lug	4	ea	
12	CE0116	driving point for earth rods	0	ea	See Note 2
13	EM0014	conductor 70mm ² bare copper clad steel	1	coil	30m
14	FL0144	Bolted Q-lug	2	ea	

HU31_R50/22 (New) Rural, 50kVA/12.7kV Single TX Installation					
ITEM NUMBER	STOCK CODE	DESCRIPTION	QTY RQD	UNIT OF MEASURE	REMARKS
2	OH0194	Padlock	2	ea	
3	XA2434	50kVA transformer	1	ea	
4	FC0316	Elbow Connector 35 mm ²	1	set	Set of 3
5	FL1448	terminal lug	2	ea	
6	FL1442	Crimp lug – 25mm ² copper	20	ea	
7	EE1264	conductor 70mm ² PVC insulated copper green / yellow	10	mr	
8	CE0135	earth rod	12	ea	
9	CE0058	earth clamp	3	ea	
10	CE0078	earth coupling	10	ea	
11	FL1465	earthing lug	4	ea	
12	CE0116	driving point for earth rods	0	ea	See Note 2
13	EM0014	conductor 70mm ² bare copper clad steel	1	coil	30m
14	FL0144	Bolted Q-lug	2	ea	

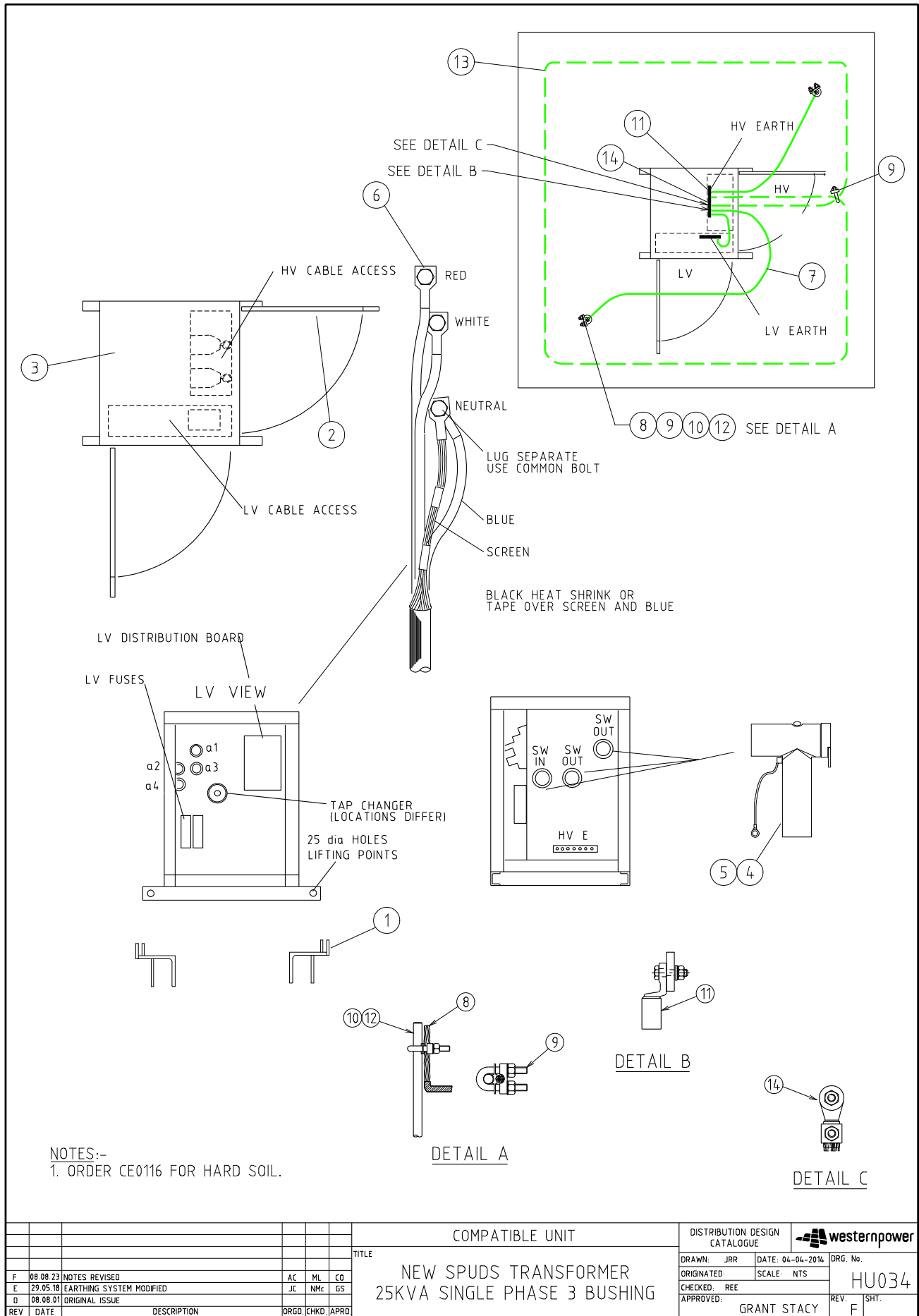
CU	CU Description
----	----------------

HU31_R50/22T (New) Rural, 50kVA/12.7kV Twin TX Installation					
ITEM NUMBER	STOCK CODE	DESCRIPTION	QTY RQD	UNIT OF MEASURE	REMARKS
2	OH0194	Padlock	4	ea	
3	XA2434	50kVA transformer	2	ea	
4	FC0316	Elbow Connector 35 mm ²	1	set	Set of 3
5	FL1448	terminal lug	3	ea	
6	FL1442	Crimp lug – 25mm ² copper	20	ea	
7	EE1264	conductor 70mm ² PVC insulated copper green / yellow	10	mr	
8	CE0135	earth rod	12	ea	
9	CE0058	earth clamp	3	ea	
10	CE0078	earth coupling	10	ea	
11	FL1465	earthing lug	8	ea	
12	CE0116	driving point for earth rods	0	ea	See Note 2
13	EM0014	conductor 70mm ² bare copper clad steel	1	coil	30m
14	FL0144	Bolted Q-lug	2	ea	
	CE0300	earth rod and clamp	1	ea	
	EC1100	cable 120mm ² 3c	10	mr	
	FB0065	universal pillar	1	ea	
	FE0034	heat shrink glove	4	ea	
	FE0070	insulation sleeving	4	ea	
	FE0055	insulation sleeving	4	ea	
	FL0011	lug 120mm	12	ea	

HU31_R50/33 (New) Rural, 50kVA/19.1kV Single TX Installation					
ITEM NUMBER	STOCK CODE	DESCRIPTION	QTY RQD	UNIT OF MEASURE	REMARKS
2	OH0194	Padlock	2	ea	
3	XA2437	50kVA transformer	1	ea	
4	FC0309	Elbow Connector 50 mm ²	3	set	
5	FL1453	terminal lug	2	ea	
6	FL1442	Crimp lug – 25mm ² copper	20	ea	
7	EE1264	conductor 70mm ² PVC insulated copper green / yellow	10	mr	
8	CE0135	earth rod	12	ea	
9	CE0058	earth clamp	3	ea	
10	CE0078	earth coupling	10	ea	
11	FL1465	earthing lug	4	ea	
12	CE0116	driving point for earth rods	0	ea	See Note 2
13	EM0014	conductor 70mm ² bare copper clad steel	1	coil	30m
14	FL0144	Bolted Q-lug	2	ea	
	FC0309	elbow 50mm	2	ea	

CU	CU Description
-----------	-----------------------

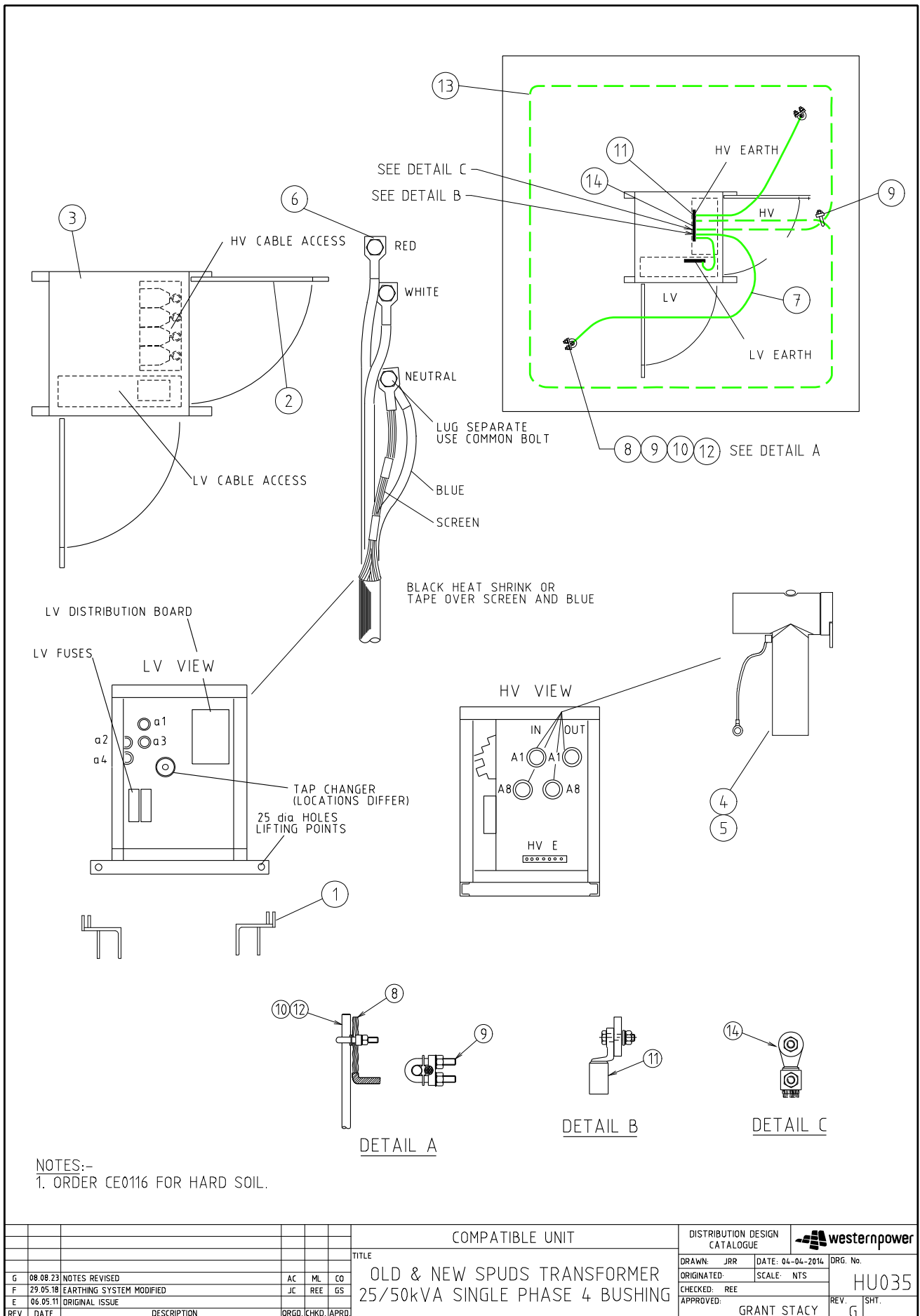
HU31_R50/33T (New) Rural, 50kVA/19.1kV Twin TX Installation					
ITEM NUMBER	STOCK CODE	DESCRIPTION	QTY RQD	UNIT OF MEASURE	REMARKS
2	OH0194	Padlock	4	ea	
3	XA2437	50kVA transformer	2	ea	
4	FC0309	Elbow Connector 50 mm ²	3	set	
5	FL1453	terminal lug	3	ea	
6	FL1442	Crimp lug – 25mm ² copper	20	ea	
7	EE1264	conductor 70mm ² PVC insulated copper green / yellow	10	mr	
8	CE0135	earth rod	12	ea	
9	CE0058	earth clamp	3	ea	
10	CE0078	earth coupling	10	ea	
11	FL1465	earthing lug	8	ea	
12	CE0116	driving point for earth rods	0	ea	See Note 2
13	EM0014	conductor 70mm ² bare copper clad steel	1	coil	30m
14	FL0144	Bolted Q-lug	2	ea	
	CE0300	earth rod and clamp	1	ea	
	EC1100	cable 120mm ² 3c	10	mr	
	FB0065	universal pillar	1	ea	
	FE0034	heat shrink glove	4	ea	
	FE0070	insulation sleeving	4	ea	
	FE0055	insulation sleeving	4	ea	
	FL0011	lug 120mm	12	ea	



				COMPATIBLE UNIT				DISTRIBUTION DESIGN CATALOGUE		westernpower	
				TITLE				DRAWN: JRR		DATE: 04-04-2014 DRG. No.	
				NEW SPUDS TRANSFORMER				ORIGINATED:		SCALE: NTS	
				25KVA SINGLE PHASE 3 BUSHING				CHECKED: REE		HU034	
								APPROVED:		REV. F	
								GRANT STACY		SHT.	
REV	DATE	DESCRIPTION	ORGD.	CHKD.	APROD.						
F	08.08.23	NOTES REVISED		AC	ML	CO					
E	29.05.18	EARTHING SYSTEM MODIFIED		JC	NMc	GS					
D	08.08.01	ORIGINAL ISSUE									

CU	CU Description
-----------	-----------------------

HU34_25/22 (New) SPUDS Tx ph 3bush 25kVA/22kV					
ITEM NUMBER	STOCK CODE	DESCRIPTION	QTY RQD	UNIT OF MEASURE	REMARKS
1	CB0450	transformer base bracket	4	ea	
2	OH0194	Padlock	2	ea	
3	XA2436	25 kVA transformer	1	ea	
4	FC0316	Elbow Connector 35 mm ²	1	set	
5	FL1448	terminal lug	3	ea	
7	EE1264	conductor 70mm ² PVC insulated copper green / yellow	10	mr	
8	CE0135	earth rod	12	ea	
9	CE0058	earth clamp	3	ea	
10	CE0078	earth coupling	10	ea	
11	FL1465	earthing lug	4	ea	
12	CE0116	driving point for earth rods	0	ea	See Note 2
13	EM0014	conductor 70mm ² bare copper clad steel	1	coil	30m
14	FL0144	Bolted Q-lug	2	ea	



				COMPATIBLE UNIT				DISTRIBUTION DESIGN CATALOGUE			
				TITLE				DRAWN: JRR		DATE: 04-04-2016 DRG. No.	
				OLD & NEW SPUDS TRANSFORMER				ORIGINATED:		SCALE: NTS	
				25/50kVA SINGLE PHASE 4 BUSHING				CHECKED: REE		H035	
								APPROVED:		REV. G	
								GRANT STACY		SHT.	
REV	DATE	DESCRIPTION	ORGO.	CHKD.	APROD.						
G	08.08.23	NOTES REVISED		AC	ML	CO					
F	29.05.18	EARTHING SYSTEM MODIFIED		JC	REE	GS					
E	06.05.11	ORIGINAL ISSUE									

CU	CU Description
----	----------------

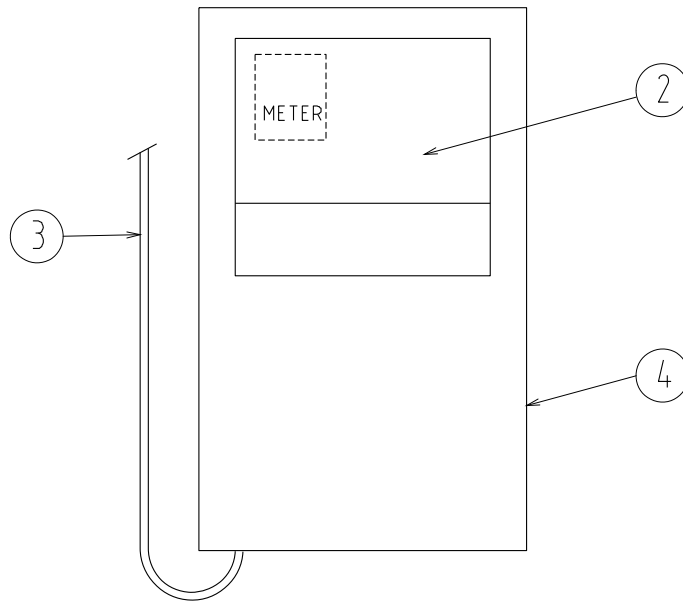
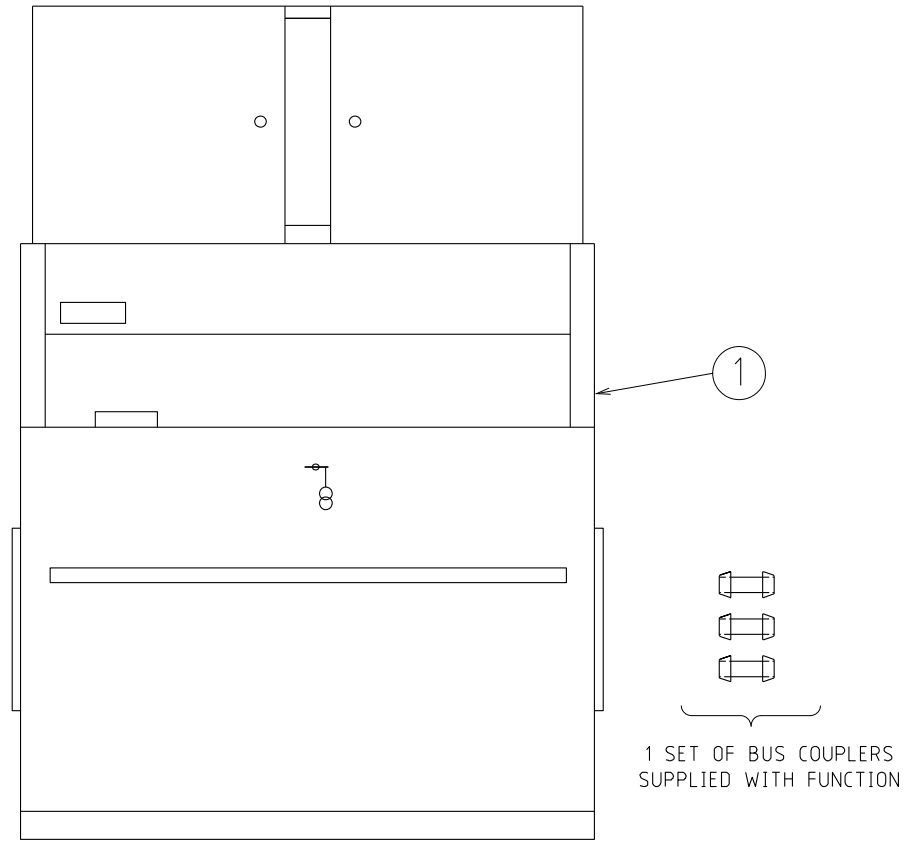
HU35_M25/22 (New) SPUDS tx 1ph 4bush 25kVA/22kV					
ITEM NUMBER	STOCK CODE	DESCRIPTION	QTY RQD	UNIT OF MEASURE	REMARKS
1	CB0450	transformer base	4	ea	
2	OH0194	padlock	2	ea	
3	XA2438	25 kVA transformer	1	ea	
4	FC0316	Elbow Connector 35 mm ²	2	set	
5	FL1448	terminal lug	4	ea	
7	EE1264	conductor 70mm ² PVC insulated copper green / yellow	10	mr	
8	CE0135	earth rod	12	ea	
9	CE0058	earth clamp	3	ea	
10	CE0078	earth coupling	10	ea	
11	FL1465	earthing lug	4	ea	
12	CE0116	driving point for earth rods	0	ea	See Note 2
13	EM0014	conductor 70mm ² bare copper clad steel	1	coil	30m
14	FL0144	Bolted Q-lug	2	ea	

HU35_R25/22 (New) SPUDS tx 1ph 4bush 25kVA/22kV					
ITEM NUMBER	STOCK CODE	DESCRIPTION	QTY RQD	UNIT OF MEASURE	REMARKS
1	CB0450	transformer base	4	ea	
2	OH0194	padlock	2	ea	
3	XA2438	25 kVA transformer	1	ea	
4	FC0316	Elbow Connector 35 mm ²	2	set	
5	FL1448	terminal lug	4	ea	
7	EE1264	conductor 70mm ² PVC insulated copper green / yellow	10	mr	
8	CE0135	earth rod	12	ea	
9	CE0058	earth clamp	3	ea	
10	CE0078	earth coupling	10	ea	
11	FL1465	earthing lug	4	ea	
12	CE0116	driving point for earth rods	0	ea	See Note 2
13	EM0014	conductor 70mm ² bare copper clad steel	1	coil	30m
14	FL0144	Bolted Q-lug	2	ea	

CU	CU Description
----	----------------

HU35_M50/22 (New) SPUDS tx 1ph 4bush 25kVA/22kV					
ITEM NUMBER	STOCK CODE	DESCRIPTION	QTY RQD	UNIT OF MEASURE	REMARKS
1	CB0450	transformer base	4	ea	
2	OH0194	padlock	2	ea	
3	XA2439	50 kVA transformer	1	ea	
4	FC0316	Elbow Connector 35 mm ²	2	set	
5	FL1448	terminal lug	4	ea	
7	EE1264	conductor 70mm ² PVC insulated copper green / yellow	10	mr	
8	CE0135	earth rod	12	ea	
9	CE0058	earth clamp	3	ea	
10	CE0078	earth coupling	10	ea	
11	FL1465	earthing lug	4	ea	
12	CE0116	driving point for earth rods	0	ea	See Note 2
13	EM0014	conductor 70mm ² bare copper clad steel	1	coil	30m
14	FL0144	Bolted Q-lug	2	ea	

HU35_R50/22 (New) SPUDS tx 1ph 4bush 25kVA/22kV					
ITEM NUMBER	STOCK CODE	DESCRIPTION	QTY RQD	UNIT OF MEASURE	REMARKS
1	CB0450	transformer base	4	ea	
2	OH0194	padlock	2	ea	
3	XA2439	50 kVA transformer	1	ea	
4	FC0316	Elbow Connector 35 mm ²	2	set	
5	FL1448	terminal lug	4	ea	
7	EE1264	conductor 70mm ² PVC insulated copper green / yellow	10	mr	
8	CE0135	earth rod	12	ea	
9	CE0058	earth clamp	3	ea	
10	CE0078	earth coupling	10	ea	
11	FL1465	earthing lug	4	ea	
12	CE0116	driving point for earth rods	0	ea	See Note 2
13	EM0014	conductor 70mm ² bare copper clad steel	1	coil	30m
14	FL0144	Bolted Q-lug	2	ea	



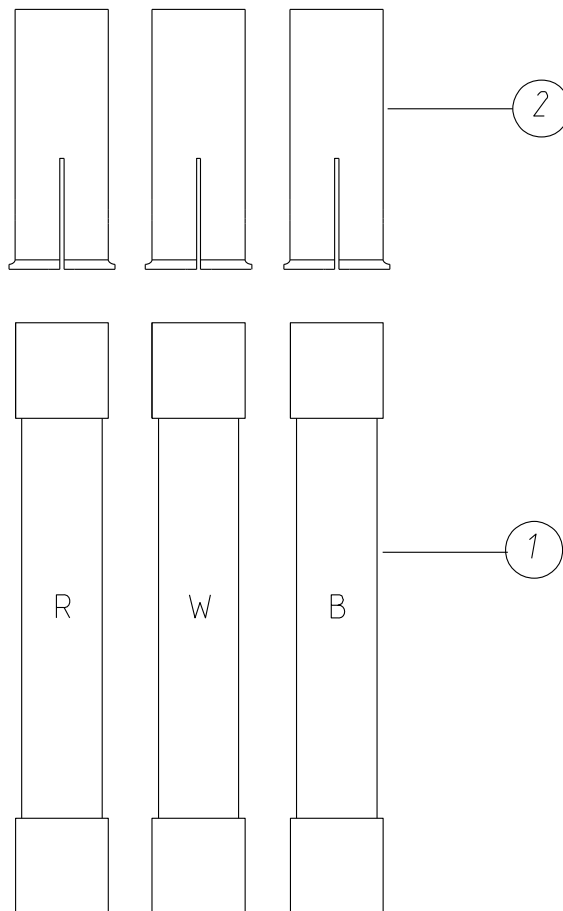
THIS FUNCTION: M/U

				COMPATIBLE UNIT		DISTRIBUTION DESIGN CATALOGUE			
				TITLE		DRAWN: JRR		DATE: 04-04-2014	
				SCHNEIDER HV INDOOR METERING		ORIGINATED:		SCALE: NTS	
						CHECKED: REE		DRG. No. HU040	
						APPROVED:		REV. A	
						GRANT STACY		SHT.	
REV	DATE	DESCRIPTION	DRGD.	CHKD.	APRD.				
A	13.01.09	ORIGINAL ISSUE							

CU	CU Description
-----------	-----------------------

HU40_11 Metering unit, double extensible – 11kV					
ITEM NUMBER	STOCK CODE	DESCRIPTION	QTY RQD	UNIT OF MEASURE	REMARKS
1	XA2641	11kV double extensible metering unit	1	ea	RM6 DE-Mt c/w CT & VT
2	HZ3333	meter panel	1	ea	
3	EE1653	secondary cable	15	mr	
4	FB0850	wall mounting frame	1	ea	
5	CB3057	operating handle bracket	1	ea	
	OH0193	oval lock	2	ea	

HU40_22 Metering unit, double extensible – 22 kV					
ITEM NUMBER	STOCK CODE	DESCRIPTION	QTY RQD	UNIT OF MEASURE	REMARKS
1	XA2642	22kV double extensible metering unit	1	ea	RM6 DE-Mt c/w CT & VT
2	HZ3333	meter panel	1	ea	
3	EE1653	secondary cable	15	mr	
4	FB0850	mounting frame	1	ea	
5	CB3057	operating handle bracket	1	ea	
	OH0193	oval lock	2	ea	



				COMPATIBLE UNIT		DISTRIBUTION DESIGN CATALOGUE			
				TITLE		DRAWN: JRR		DATE: 04-04-2014	
				CARTRIDGE HRC FUSES		ORIGINATED:		SCALE: NTS	
						CHECKED: REE		DRG. No. HU055	
						APPROVED: GRANT STACY		REV. A	
A	08.08.01	ORIGINAL ISSUE							
REV	DATE	DESCRIPTION		DRG.	CHKD.	APRD.			

CU	CU Description
-----------	-----------------------

HU55_160/6 31.5 amp fuses 160kVA / 6kV					
ITEM NUMBER	STOCK CODE	DESCRIPTION	QTY RQD	UNIT OF MEASURE	REMARKS
1	GF1303	fuse cartridge	3	ea	
2	XA2355	fuse extenders	1	ea	

HU55_315/6 50 amp fuses 315kVA / 6kV					
ITEM NUMBER	STOCK CODE	DESCRIPTION	QTY RQD	UNIT OF MEASURE	REMARKS
1	GF1282	fuse cartridge	3	ea	
2	XA2355	fuse extenders	1	ea	

HU55_500/6 80 amp fuses 500kVA / 6kV					
ITEM NUMBER	STOCK CODE	DESCRIPTION	QTY RQD	UNIT OF MEASURE	REMARKS
1	GF1240	fuse cartridge	3	ea	
2	XA2355	fuse extenders	1	ea	

HU55_630/6 100 amp fuses 630kVA / 6kV					
ITEM NUMBER	STOCK CODE	DESCRIPTION	QTY RQD	UNIT OF MEASURE	REMARKS
1	GF2107	fuse cartridge	3	ea	
2	XA2355	fuse extenders	1	ea	

HU55_1000/6 160 amp fuses 1000kVA / 6kV					
ITEM NUMBER	STOCK CODE	DESCRIPTION	QTY RQD	UNIT OF MEASURE	REMARKS
1	GF2108	fuse cartridge	3	ea	
2	XA2355	fuse extenders	1	ea	

HU55_160/11 25 amp fuses 160kVA / 11kV					
ITEM NUMBER	STOCK CODE	DESCRIPTION	QTY RQD	UNIT OF MEASURE	REMARKS
1	GF1302	fuse cartridge	3	ea	
2	XA2355	fuse extenders	1	ea	

CU	CU Description
-----------	-----------------------

HU55_315/11 31.5 amp fuses 315kVA / 11kV					
ITEM NUMBER	STOCK CODE	DESCRIPTION	QTY RQD	UNIT OF MEASURE	REMARKS
1	GF1303	fuse cartridge	3	ea	
2	XA2355	fuse extenders	1	ea	

HU55_500/11 40 amp fuses 500kVA / 11kV					
ITEM NUMBER	STOCK CODE	DESCRIPTION	QTY RQD	UNIT OF MEASURE	REMARKS
1	GF1283	fuse cartridge	3	ea	
2	XA2355	fuse extenders	1	ea	

HU55_630/11 50 amp fuses 630kVA / 11kV					
ITEM NUMBER	STOCK CODE	DESCRIPTION	QTY RQD	UNIT OF MEASURE	REMARKS
1	GF1282	fuse cartridge	3	ea	
2	XA2355	fuse extenders	1	ea	

HU55_1000/11 80 amp fuses 1000kVA / 11kV					
ITEM NUMBER	STOCK CODE	DESCRIPTION	QTY RQD	UNIT OF MEASURE	REMARKS
1	GF1240	fuse cartridge	3	ea	
2	XA2355	fuse extenders	1	ea	

HU55_160/22 10 amp fuses 160kVA / 22kV					
ITEM NUMBER	STOCK CODE	DESCRIPTION	QTY RQD	UNIT OF MEASURE	REMARKS
1	GF1304	fuse cartridge	3	ea	

HU55_315/22 16 amp fuses 315kVA / 22kV					
ITEM NUMBER	STOCK CODE	DESCRIPTION	QTY RQD	UNIT OF MEASURE	REMARKS
1	GF1650	fuse cartridge	3	ea	

HU55_500/22 25 amp fuses 500kVA / 22kV					
ITEM NUMBER	STOCK CODE	DESCRIPTION	QTY RQD	UNIT OF MEASURE	REMARKS
1	GF1655	fuse cartridge	3	ea	

CU	CU Description
-----------	-----------------------

HU55_630/22 31.5 amp fuses 630kVA / 22kV					
ITEM NUMBER	STOCK CODE	DESCRIPTION	QTY RQD	UNIT OF MEASURE	REMARKS
1	GF1305	fuse cartridge	3	ea	

HU55_1000/22 40 amp fuses 1000kVA / 22kV					
ITEM NUMBER	STOCK CODE	DESCRIPTION	QTY RQD	UNIT OF MEASURE	REMARKS
1	GF1665	fuse cartridge	3	ea	

HU55_160/33 6.3 amp fuses 63kVA & 160kVA / 33kV					
ITEM NUMBER	STOCK CODE	DESCRIPTION	QTY RQD	UNIT OF MEASURE	REMARKS
1	GF2120	fuse link, cartridge – 6.3A;36kV, HRC	3	ea	

HU55_315/33 16 amp fuses 315kVA / 33kV					
ITEM NUMBER	STOCK CODE	DESCRIPTION	QTY RQD	UNIT OF MEASURE	REMARKS
1	GF2118	Fuse link, cartridge – 16A;36kV, HRC	3	ea	

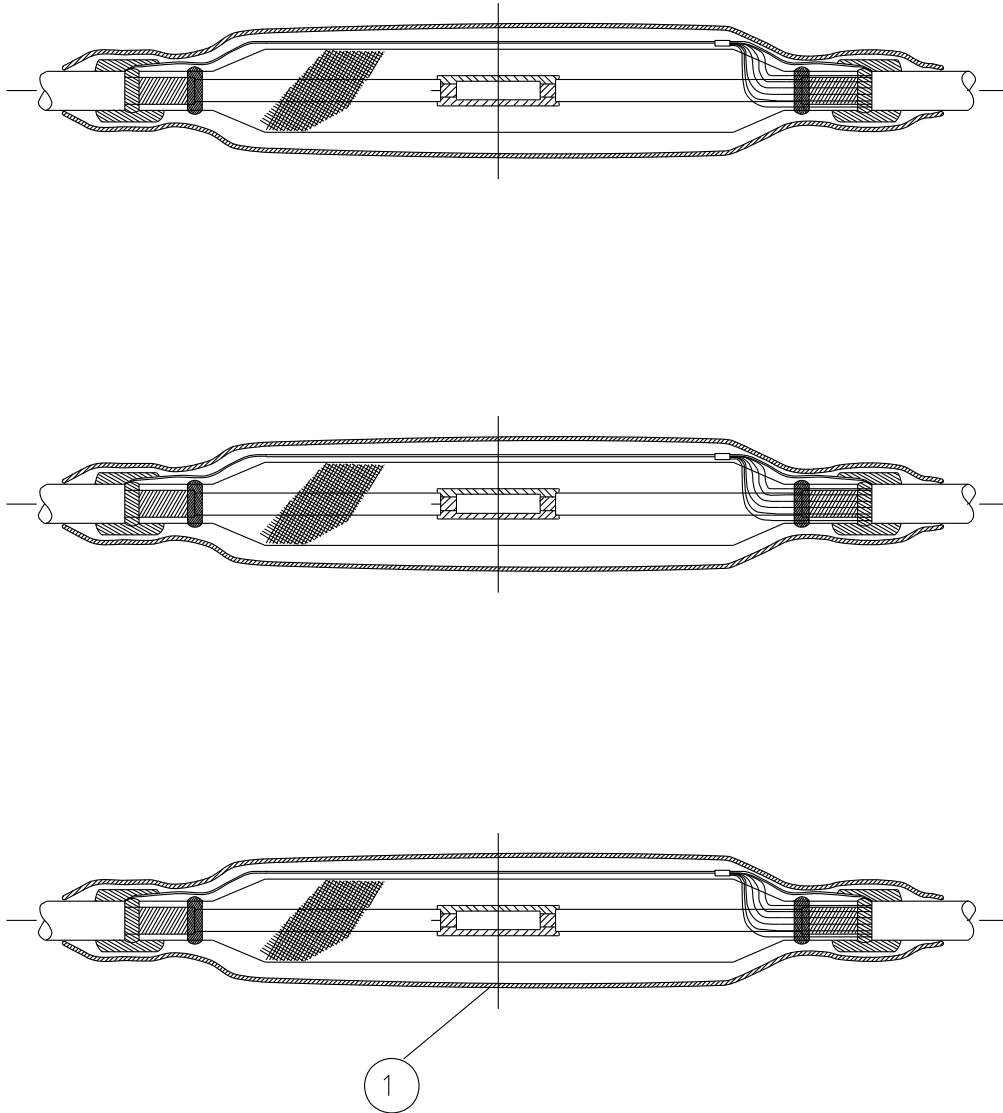
HU55_500/33 20 amp fuses 500kVA & 630kVA/ 33kV					
ITEM NUMBER	STOCK CODE	DESCRIPTION	QTY RQD	UNIT OF MEASURE	REMARKS
1	GF2117	Fuse link, cartridge – 20A; 36kV, HRC	3	ea	

HU55_1000/33 40 amp fuses 1000kVA / 33kV					
ITEM NUMBER	STOCK CODE	DESCRIPTION	QTY RQD	UNIT OF MEASURE	REMARKS
1	GF2116	Fuse link, cartridge – 40A;36kV, HRC	3	ea	

HU55_2x630/1 160amp fuses 630kVA/11kV x 2					
ITEM NUMBER	STOCK CODE	DESCRIPTION	QTY RQD	UNIT OF MEASURE	REMARKS
1	GF2108	fuse cartridge	3	ea	
2	XA2355	fuse extenders	1	ea	

CU	CU Description
-----------	-----------------------

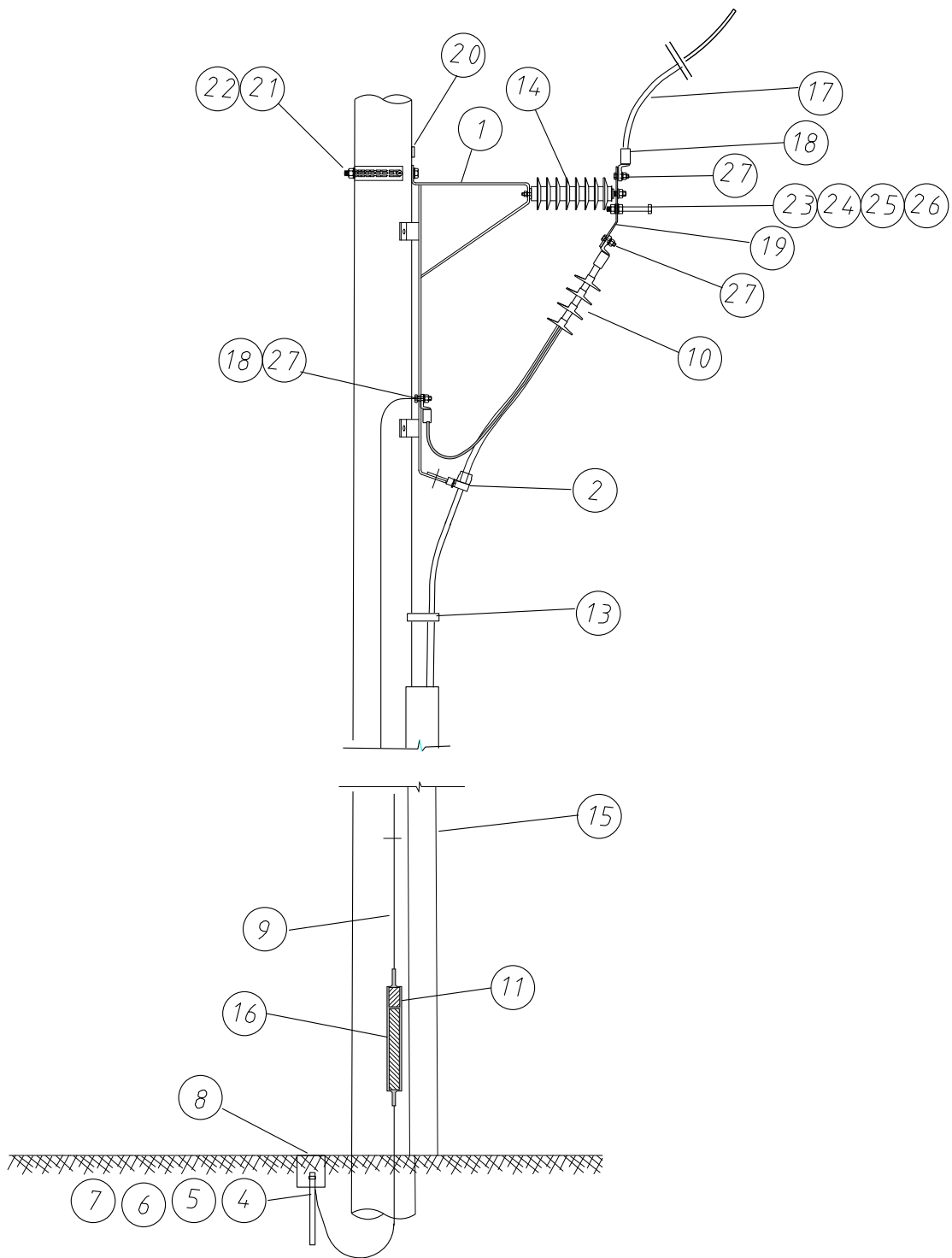
HU55_2x630/2 63amp fuses 630kVA/22kV x 2					
ITEM NUMBER	STOCK CODE	DESCRIPTION	QTY RQD	UNIT OF MEASURE	REMARKS
1	GF2111	fuse cartridge	3	ea	



				COMPATIBLE UNIT		DISTRIBUTION DESIGN CATALOGUE			
				TITLE		DRAWN: JRR		DATE: 04-04-2014	
				STRAIGHT JOINT 50mm ² XLPE 3x1c		ORIGINATED:		SCALE: NTS	
						CHECKED: REE		DRG. No. HU056	
						APPROVED:		REV. D	
						GRANT STACY		SHT.	
0	22.04.02	ORIGINAL ISSUE							
REV	DATE	DESCRIPTION	DRGD.	CHKD.	APRD.				

CU	CU Description
-----------	-----------------------

HU56 Straight joint – 50- 3 x 1 core					
ITEM NUMBER	STOCK CODE	DESCRIPTION	QTY RQD	UNIT OF MEASURE	REMARKS
1	FJ0236	joint kit	3	ea	



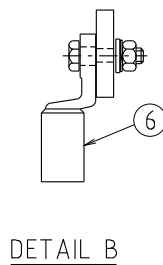
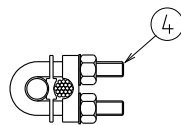
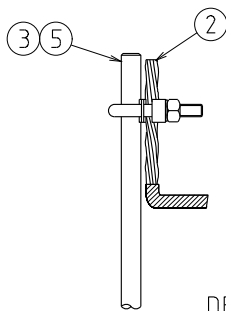
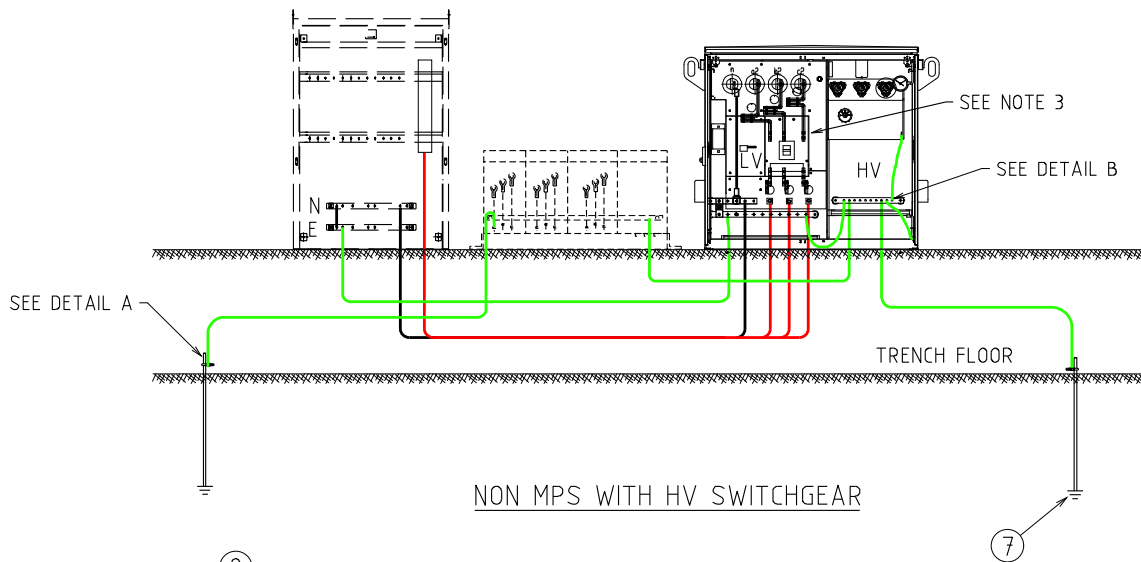
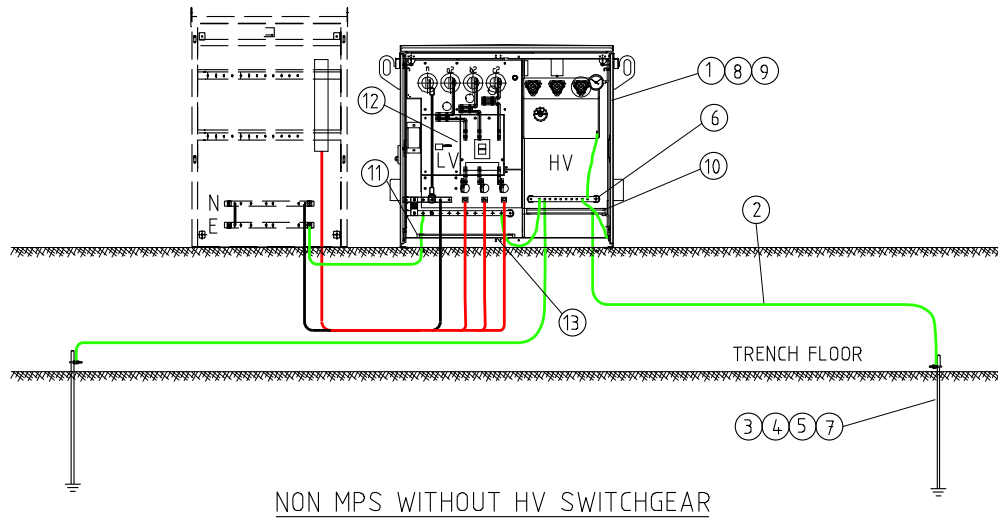
* IF CABLE TERMINATION DESIGNS TO BE INSTALLED ON THE SAME SIDE AS THE POLE TOP SWITCH ACTUATOR ROD, ORDER TWO OF THE POLE TOP SWITCH CABLE TERMINATION EXTENSION BRACKETS (CB3027).

REV	DATE	DESCRIPTION	ORGD.	CHKD.	APRD.	TITLE	DISTRIBUTION DESIGN CATALOGUE	westernpower	
J	31.10.22	EARTH PARKING ROAD ADDED	CO	NMc	GS	COMPATIBLE UNIT CABLE POLE TERMINATION TERMINATION 35mm ² - 1 x 1 CORE	DRAWN: JRR	DATE: 04-04-2014	DRG. No.
H	19.12.17	EARTHING SYSTEM MODIFIED	GG	JC	GS		ORIGINATED:	SCALE: NTS	HU057
G	12.04.16	NOTE AND ITEM 21&22 ADDED	JC	REE	GS		CHECKED: REE	APPROVED: GRANT STACY	
F	08.09.01	ORIGINAL ISSUE							ISHT.

CU	CU Description
-----------	-----------------------

HU57_O Aerial cable termination–35-1 x 1c 22kV					
ITEM NUMBER	STOCK CODE	DESCRIPTION	QTY RQD	UNIT OF MEASURE	REMARKS
4	CE0058	earth clamp	1	ea	
5	CE0078	earth coupling	3	ea	
6	CE0116	driving point for earth rods	0	ea	See Note 1
7	CE0135	earth rod	4	ea	
8	CE0201	terminal box	1	ea	
9	FM0915	earth kit	1	ea	
11	CJ0498	Stalk lug 95 Cu	1	ea	
13	CB3120	cable saddle	3	ea	
13	AS1441	coach screw	6	ea	
15	HT6320	cable protector	1	ea	
16	FE0055	Heatshrink	1	ea	
17	FT0095	95 ABC 3m long	1	ea	
18	FL0401	terminal lug 95 ABC	2	ea	
20	CZ5007	phase indicator disc	1	ea	
21	AB6732	Pole Bolt	1	ea	
22	CE7541	Dispersion Plate	1	ea	

HU57_U Cable frame termination–35-1 x 1c 22kV					
ITEM NUMBER	STOCK CODE	DESCRIPTION	QTY RQD	UNIT OF MEASURE	REMARKS
1	CB3017	cable term bracket	1	ea	
2	CB3108	cable clamp 35/95	1	ea	
10	FJ0195	cable termination kit	1	ea	
14	GA4002	surge arrester	1	ea	
19	GF1592	connector plate	1	ea	
23	AB6739	M12 bolt 120mm long	1	ea	
24	AW2429	M12 Spring lock washer	4	ea	
25	AW2607	M12 Flat washer	8	ea	
26	AN1495	M12 hex plain nut	5	ea	
27	AB2959	M12 40mm bolt	3	ea	



NOTES:-

1. ALL DIMENSIONS ARE IN MILLIMETRES.
2. ORDER CE0116 FOR HARD SOIL.
3. MCCB SUPPLIED WITH 630 & 1000kVA.
315kVA WILL BE SUPPLIED WITH FUSEWAY & FUSES.

				COMPATIBLE UNIT			DISTRIBUTION DESIGN CATALOGUE			
K	06.12.21	ITEM FM0203 ADDED	KJ	KT	PC	TITLE 315, 630, 1000kVA NON MPS TRANSFORMER DISTRICT INSIDE INSTALLATION		DRAWN: JRR	DATE: 04-04-2014	DRG. No.
J	30.06.21	Tx TYPE CHANGED	KJ	CO	GS			ORIGINATED:	SCALE: NTS	HU059
H	18.12.19	Tx LV CABLE DETAILS UPDATED	CO	GC	GS	CHECKED: REE	APPROVED: GRANT STACY		REV. K	SHT.
G	28.02.19	EARTH LOOP NOTE ADDED	NMc	NN	GS	APPROVED:			REV. K	SHT.
F	14.08.18	EARTHING SYSTEM MODIFIED	GC	GS						
REV	DATE	DESCRIPTION	ORGD.	CHKD.	APRD.					

CU	CU Description
-----------	-----------------------

HU59_31511 Non MPS MKII District Inside 315/6-11kV					
ITEM NUMBER	STOCK CODE	DESCRIPTION	QTY RQD	UNIT OF MEASURE	REMARKS
1	XA2445	315kVA Non MPS	1	ea	
2	EE1264	conductor 70mm ² PVC insulated copper green / yellow	25	mr	
3	CE0135	earth rod	12	ea	
4	CE0058	earth clamp	2	ea	
5	CE0078	earth coupling	10	ea	
6	FL1465	earthing lug	6	ea	
7	CE0116	driving point for earth rods	0	ea	See Note 1
8	OH0193	oval lock	2	ea	Lock cylinders for s/s doors
9	OH0194	padlock	2	ea	Padlocks for Tx only
10	FM0200	Cable Clamp	3	ea	
11	FM0201	Cable Clamp	4	ea	
12	GF1103	500A Fuse Link	3	ea	Tx fuse for arc flash protection

HU59_63011 Non MPS MKII District Inside 630/6-11kV					
ITEM NUMBER	STOCK CODE	DESCRIPTION	QTY RQD	UNIT OF MEASURE	REMARKS
1	XA2446	630 kVA Non MPS	1	ea	
2	EE1264	conductor 70mm ² PVC insulated copper green / yellow	25	mr	
3	CE0135	earth rod	12	ea	
4	CE0058	earth clamp	2	ea	
5	CE0078	earth coupling	10	ea	
6	FL1465	earthing lug	6	ea	
7	CE0116	driving point for earth rods	0	ea	See Note 1
8	OH0193	oval lock	2	ea	Lock cylinders for s/s doors
9	OH0194	padlock	2	ea	Padlocks for Tx only
10	FM0200	Cable Clamp	3	ea	
11	FM0201	Cable Clamp	4	ea	

CU	CU Description
-----------	-----------------------

HU59_10001 Non MPS MKII District Inside 1000/6-11kV					
ITEM NUMBER	STOCK CODE	DESCRIPTION	QTY RQD	UNIT OF MEASURE	REMARKS
1	XA2447	1000 kVA Non MPS	1	ea	
2	EE1264	conductor 70mm ² PVC insulated copper green / yellow	25	mr	
3	CE0135	earth rod	12	ea	
4	CE0058	earth clamp	2	ea	
5	CE0078	earth coupling	10	ea	
6	FL1465	earthing lug	6	ea	
7	CE0116	driving point for earth rods	0	ea	See Note 1
8	OH0193	oval lock	2	ea	Lock cylinders for s/s doors
9	OH0194	padlock	2	ea	Padlocks for Tx only
10	FM0200	Cable clamp	3	ea	MV Cables
11	FM0201	Cable clamp	1	ea	Neutral Cable
13	FM0203	Cable clamp	3	ea	LV Cables

HU59_31522 Non MPS MKII District Inside 315/22 kV					
ITEM NUMBER	STOCK CODE	DESCRIPTION	QTY RQD	UNIT OF MEASURE	REMARKS
1	XA2448	315 kVA Non MPS	1	ea	
2	EE1264	conductor 70mm ² PVC insulated copper green / yellow	25	mr	
3	CE0135	earth rod	12	ea	
4	CE0058	earth clamp	2	ea	
5	CE0078	earth coupling	10	ea	
6	FL1465	earthing lug	6	ea	
7	CE0116	driving point for earth rods	0	ea	See Note 1
8	OH0193	oval lock	2	ea	Lock cylinders for s/s doors
9	OH0194	padlock	2	ea	Padlocks for Tx only
10	FM0200	Cable clamp	3	ea	
11	FM0201	Cable clamp	4	ea	
12	GF1103	500A Fuse Link	3	ea	Tx fuse for arc flash protection

CU	CU Description
-----------	-----------------------

HU59_63022 Non MPS MKII District Inside 630/22 kV					
ITEM NUMBER	STOCK CODE	DESCRIPTION	QTY RQD	UNIT OF MEASURE	REMARKS
1	XA2449	630 kVA Non MPS	1	ea	
2	EE1264	conductor 70mm ² PVC insulated copper green / yellow	25	mr	
3	CE0135	earth rod	12	ea	
4	CE0058	earth clamp	2	ea	
5	CE0078	earth coupling	10	ea	
6	FL1465	earthing lug	6	ea	
7	CE0116	driving point for earth rods	0	ea	See Note 1
8	OH0193	oval lock	2	ea	Lock cylinders for s/s doors
9	OH0194	padlock	2	ea	Padlocks for Tx only
10	FM0200	Cable clamp	3	ea	
11	FM0201	Cable clamp	4	ea	

HU59_10002 Non MPS MKII District Inside 1000/22kV					
ITEM NUMBER	STOCK CODE	DESCRIPTION	QTY RQD	UNIT OF MEASURE	REMARKS
1	XA2450	1000 kVA Non MPS	1	ea	
2	EE1264	conductor 70mm ² PVC insulated copper green / yellow	25	mr	
3	CE0135	earth rod	12	ea	
4	CE0058	earth clamp	2	ea	
5	CE0078	earth coupling	10	ea	
6	FL1465	earthing lug	6	ea	
7	CE0116	driving point for earth rods	0	ea	See Note 1
8	OH0193	oval lock	2	ea	Lock cylinders for s/s doors
9	OH0194	padlock	2	ea	Padlocks for Tx only
10	FM0200	Cable clamp	3	ea	MV Cables
11	FM0201	Cable clamp	1	ea	Neutral Cable
13	FM0203	Cable clamp	3	ea	LV Cables

CU	CU Description
-----------	-----------------------

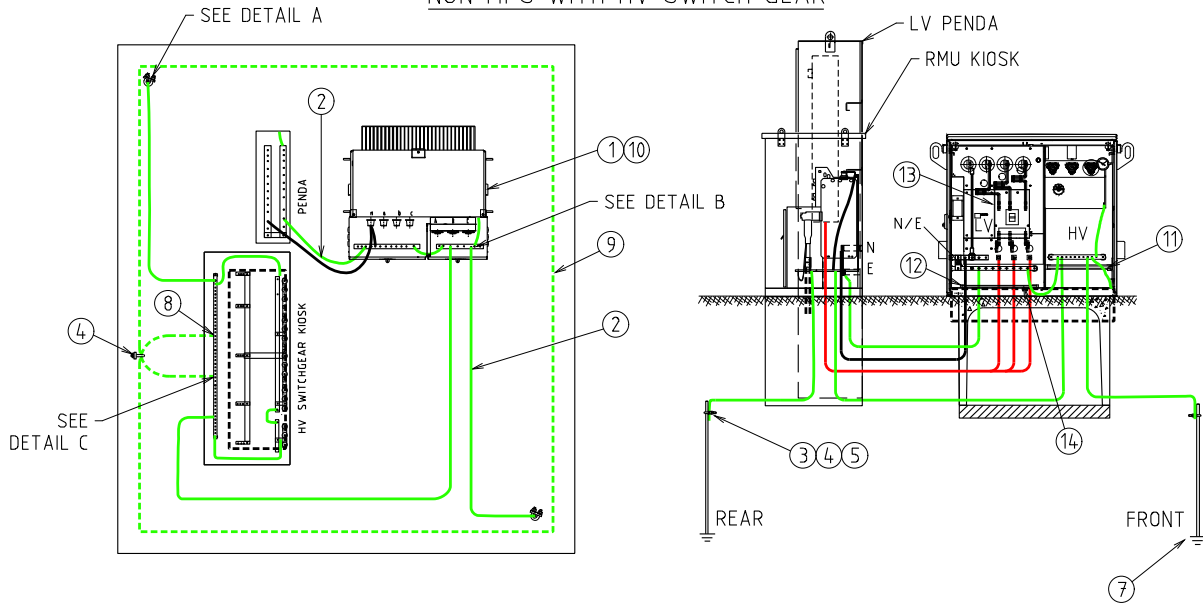
HU59_31533 Non MPS MKII District Inside 315/33kV					
ITEM NUMBER	STOCK CODE	DESCRIPTION	QTY RQD	UNIT OF MEASURE	REMARKS
1	XA2451	315 kVA Non MPS	1	ea	
2	EE1264	conductor 70mm ² PVC insulated copper green / yellow	25	mr	
3	CE0135	earth rod	12	ea	
4	CE0058	earth clamp	2	ea	
5	CE0078	earth coupling	10	ea	
6	FL1465	earthing lug	6	ea	
7	CE0116	driving point for earth rods	0	ea	See Note 1
8	OH0193	oval lock	2	ea	Lock cylinders for s/s doors
9	OH0194	padlock	2	ea	Padlocks for Tx only
10	FM0200	Cable Clamp	3	ea	
11	FM0201	Cable Clamp	4	ea	
12	GF1103	500A Fuse Link	3	ea	Tx fuse for arc flash protection

HU59_63033 Non MPS MKII District Inside 630/33kV					
ITEM NUMBER	STOCK CODE	DESCRIPTION	QTY RQD	UNIT OF MEASURE	REMARKS
1	XA2452	630 kVA Non MPS	1	ea	
2	EE1264	conductor 70mm ² PVC insulated copper green / yellow	25	mr	
3	CE0135	earth rod	12	ea	
4	CE0058	earth clamp	2	ea	
5	CE0078	earth coupling	10	ea	
6	FL1465	earthing lug	6	ea	
7	CE0116	driving point for earth rods	0	ea	See Note 1
8	OH0193	oval lock	2	ea	Lock cylinders for s/s doors
9	OH0194	padlock	2	ea	Padlocks for Tx only
10	FM0200	Cable Clamp	3	ea	
11	FM0201	Cable Clamp	4	ea	

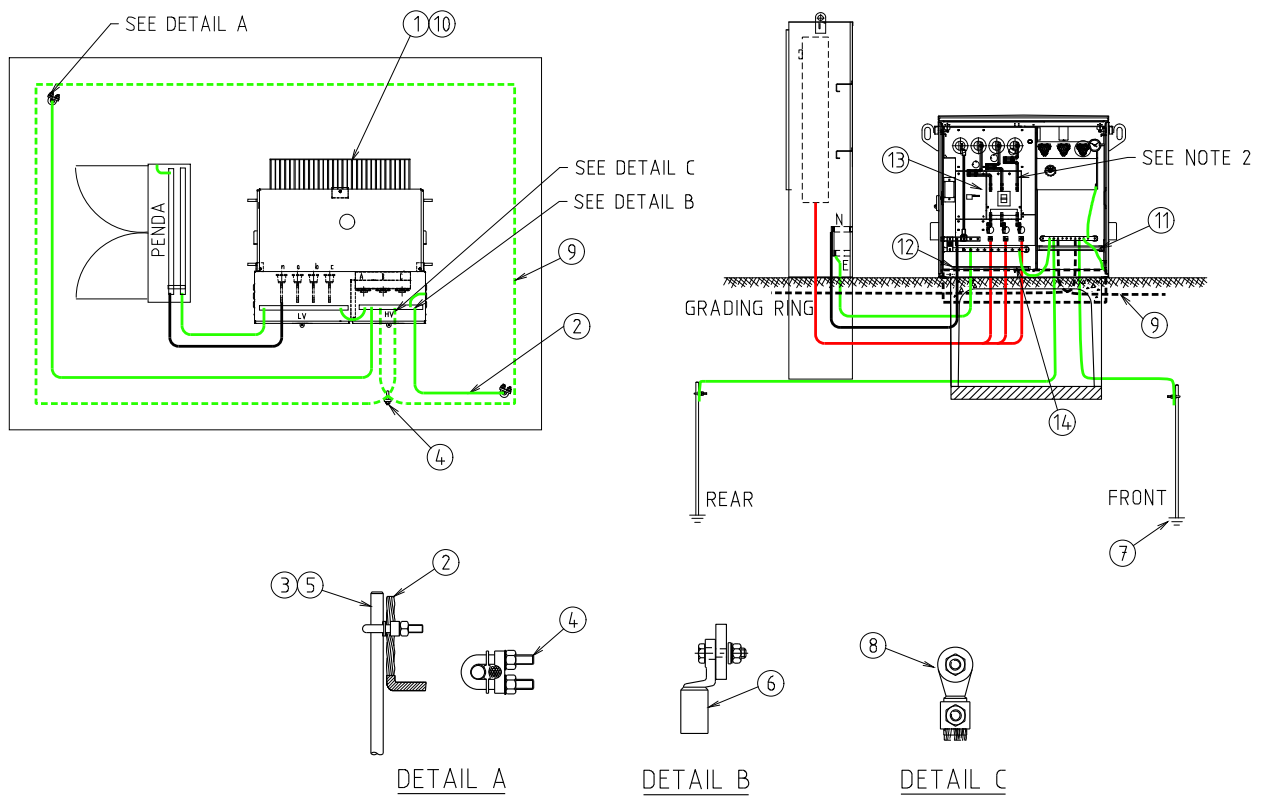
CU	CU Description
-----------	-----------------------

HU59_100033 Non MPS MKII District Inside 1000/33kV					
ITEM NUMBER	STOCK CODE	DESCRIPTION	QTY RQD	UNIT OF MEASURE	REMARKS
1	XA2453	1000 kVA Non MPS	1	ea	
2	EE1264	conductor 70mm ² PVC insulated copper green / yellow	25	mr	
3	CE0135	earth rod	12	ea	
4	CE0058	earth clamp	2	ea	
5	CE0078	earth coupling	10	ea	
6	FL1465	earthing lug	6	ea	
7	CE0116	driving point for earth rods	0	ea	
8	OH0193	oval lock	2	ea	
9	OH0194	padlock	2	ea	
10	FM0200	Cable Clamp	3	ea	MV Cables
11	FM0201	Cable Clamp	1	ea	Neutral Cable
13	FM0203	Cable clamp	3	ea	LV Cables

NON MPS WITH HV SWITCH GEAR



NON MPS WITHOUT HV SWITCH GEAR



NOTES:-

1. ORDER CE0116 FOR HARD SOIL.
2. 630 & 1000kVA SUPPLIED WITH MCCB, 315kVA SUPPLIED WITH FUSEWAY & FUSES.

				COMPATIBLE UNIT				DISTRIBUTION DESIGN CATALOGUE			
				315, 630, 1000kVA				DRAWN: JRR		DATE: 04-04-2014	
				NON MPS TRANSFORMER DISTRICT				ORIGINATED: SCALE: NTS		DRG. No.	
				OUTSIDE INSTALLATION				CHECKED: REE		HU059A	
								APPROVED: GRANT STACY		REV. L	
										SHT.	
REV	DATE	DESCRIPTION	ORGO	CHKD	APRD						
L	08.08.23	NOTES REVISED	AC	ML	CO						
K	06.12.21	ITEM FM0203 ADDED	KJ	KT	PC						
J	30.06.21	Tx TYPE CHANGED	KJ	CO	GS						

CU	CU Description
-----------	-----------------------

HU59_315/11 Non MPS MKII District Outside 315/6-11kV					
ITEM NUMBER	STOCK CODE	DESCRIPTION	QTY RQD	UNIT OF MEASURE	REMARKS
1	XA2445	315kVA Non MPS	1	ea	
2	EE1264	conductor 70mm ² PVC insulated copper green / yellow	10	mr	
3	CE0135	earth rod	12	ea	
4	CE0058	earth clamp	3	ea	
5	CE0078	earth coupling	10	ea	
6	FL1465	earthing lug	6	ea	
7	CE0116	driving point for earth rods	0	ea	See Note 2
8	FL0144	Bolted Q-lug	2	ea	
9	EM0014	conductor 70mm ² bare copper clad steel	1	coil	30m
10	OH0194	padlock	2	ea	Padlocks for Tx only
11	FM0200	Cable Clamp	3	ea	
12	FM0201	Cable Clamp	4	ea	
13	GF1103	500A Fuse Link	3	ea	Tx fuse for arc flash protection

HU59_630/11 Non MPS MKII District Outside 630/6-11kV					
ITEM NUMBER	STOCK CODE	DESCRIPTION	QTY RQD	UNIT OF MEASURE	REMARKS
1	XA2446	630 kVA Non MPS	1	ea	
2	EE1264	conductor 70mm ² PVC insulated copper green / yellow	10	mr	
3	CE0135	earth rod	12	ea	
4	CE0058	earth clamp	3	ea	
5	CE0078	earth coupling	10	ea	
6	FL1465	earthing lug	6	ea	
7	CE0116	driving point for earth rods	0	ea	See Note 2
8	FL0144	Bolted Q-lug	2	ea	
9	EM0014	conductor 70mm ² bare copper clad steel	1	coil	30m
10	OH0194	padlock	2	ea	Padlocks for Tx only
11	FM0200	Cable Clamp	3	ea	
12	FM0201	Cable Clamp	4	ea	

CU	CU Description
-----------	-----------------------

HU59_100011 Non MPS MKII District Outside 1000/6-11kV					
ITEM NUMBER	STOCK CODE	DESCRIPTION	QTY RQD	UNIT OF MEASURE	REMARKS
1	XA2447	1000 kVA Non MPS	1	ea	
2	EE1264	conductor 70mm ² PVC insulated copper green / yellow	10	mr	
3	CE0135	earth rod	12	ea	
4	CE0058	earth clamp	3	ea	
5	CE0078	earth coupling	10	ea	
6	FL1465	earthing lug	6	ea	
7	CE0116	driving point for earth rods	0	ea	See Note 2
8	FL0144	Bolted Q-lug	2	ea	
9	EM0014	conductor 70mm ² bare copper clad steel	1	coil	30m
10	OH0194	padlock	2	ea	Padlocks for Tx only
11	FM0200	Cable clamp	3	ea	MV Cables
12	FM0201	Cable clamp	1	ea	Neutral Cable
14	FM0203	Cable clamp	3	ea	LV Cables

HU59_630/22 Non MPS MKII District Outside 630/22kV					
ITEM NUMBER	STOCK CODE	DESCRIPTION	QTY RQD	UNIT OF MEASURE	REMARKS
1	XA2449	630 kVA Non MPS	1	ea	
2	EE1264	conductor 70mm ² PVC insulated copper green / yellow	10	mr	
3	CE0135	earth rod	12	ea	
4	CE0058	earth clamp	3	ea	
5	CE0078	earth coupling	10	ea	
6	FL1465	earthing lug	6	ea	
7	CE0116	driving point for earth rods	0	ea	See Note 2
8	FL0144	Bolted Q-lug	2	ea	
9	EM0014	conductor 70mm ² bare copper clad steel	1	coil	30m
10	OH0194	padlock	2	ea	Padlocks for Tx only
11	FM0200	Cable clamp	3	ea	
12	FM0201	Cable clamp	4	ea	

CU	CU Description
-----------	-----------------------

HU59_315/22 Non MPS MKII District Outside 315/22kV					
ITEM NUMBER	STOCK CODE	DESCRIPTION	QTY RQD	UNIT OF MEASURE	REMARKS
1	XA2448	315 kVA Non MPS	1	ea	
2	EE1264	conductor 70mm ² PVC insulated copper green / yellow	10	mr	
3	CE0135	earth rod	12	ea	
4	CE0058	earth clamp	3	ea	
5	CE0078	earth coupling	10	ea	
6	FL1465	earthing lug	6	ea	
7	CE0116	driving point for earth rods	0	ea	See Note 2
8	FL0144	Bolted Q-lug	2	ea	
9	EM0014	conductor 70mm ² bare copper clad steel	1	coil	30m
10	OH0194	padlock	2	ea	Padlocks for Tx only
11	FM0200	Cable clamp	3	ea	
12	FM0201	Cable clamp	1	ea	
13	GF1103	500A Fuse Link	3	ea	Tx fuse for arc flash protection

HU59_100022 Non MPS MKII District Outside 1000/22kV					
ITEM NUMBER	STOCK CODE	DESCRIPTION	QTY RQD	UNIT OF MEASURE	REMARKS
1	XA2450	1000 kVA Non MPS	1	ea	
2	EE1264	conductor 70mm ² PVC insulated copper green / yellow	10	mr	
3	CE0135	earth rod	12	ea	
4	CE0058	earth clamp	3	ea	
5	CE0078	earth coupling	10	ea	
6	FL1465	earthing lug	6	ea	
7	CE0116	driving point for earth rods	0	ea	See Note 2
8	FL0144	Bolted Q-lug	2	ea	
9	EM0014	conductor 70mm ² bare copper clad steel	1	coil	30m
10	OH0194	padlock	2	ea	Padlocks for Tx only
11	FM0200	Cable clamp	3	ea	MV Cables
12	FM0201	Cable clamp	1	ea	Neutral Cable
14	FM0203	Cable clamp	3	ea	LV Cables

CU	CU Description
-----------	-----------------------

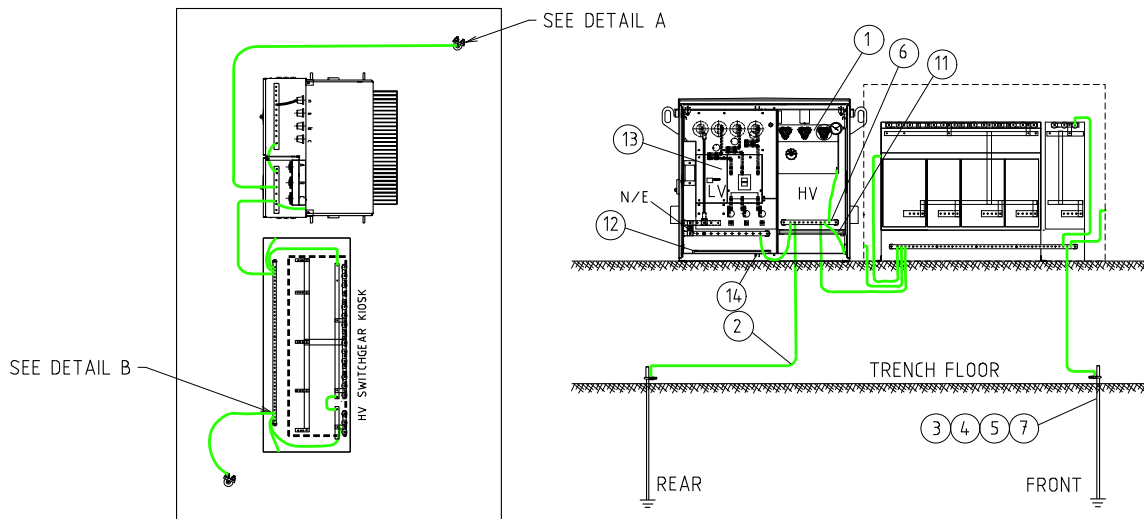
HU59_315/33 Non MPS MKII District Outside 315/33kV					
ITEM NUMBER	STOCK CODE	DESCRIPTION	QTY RQD	UNIT OF MEASURE	REMARKS
1	XA2451	315 kVA Non MPS	1	ea	
2	EE1264	conductor 70mm ² PVC insulated copper green / yellow	10	mr	
3	CE0135	earth rod	12	ea	
4	CE0058	earth clamp	3	ea	
5	CE0078	earth coupling	10	ea	
6	FL1465	earthing lug	6	ea	
7	CE0116	driving point for earth rods	0	ea	See Note 2
8	FL0144	Bolted Q-lug	2	ea	
9	EM0014	conductor 70mm ² bare copper clad steel	1	coil	30m
10	OH0194	padlock	2	ea	Padlocks for Tx only
11	FM0200	Cable Clamp	3	ea	
12	FM0201	Cable Clamp	4	ea	
13	GF1103	500A Fuse Link	3	ea	Tx fuse for arc flash protection

HU59_630/33 Non MPS MKII District Outside 630/33kV					
ITEM NUMBER	STOCK CODE	DESCRIPTION	QTY RQD	UNIT OF MEASURE	REMARKS
1	XA2452	630 kVA Non MPS	1	ea	
2	EE1264	conductor 70mm ² PVC insulated copper green / yellow	10	mr	
3	CE0135	earth rod	12	ea	
4	CE0058	earth clamp	3	ea	
5	CE0078	earth coupling	10	ea	
6	FL1465	earthing lug	6	ea	
7	CE0116	driving point for earth rods	0	ea	See Note 2
8	FL0144	Bolted Q-lug	2	ea	
9	EM0014	conductor 70mm ² bare copper clad steel	1	coil	30m
10	OH0194	padlock	2	ea	Padlocks for Tx only
11	FM0200	Cable Clamp	3	ea	
12	FM0201	Cable Clamp	4	ea	

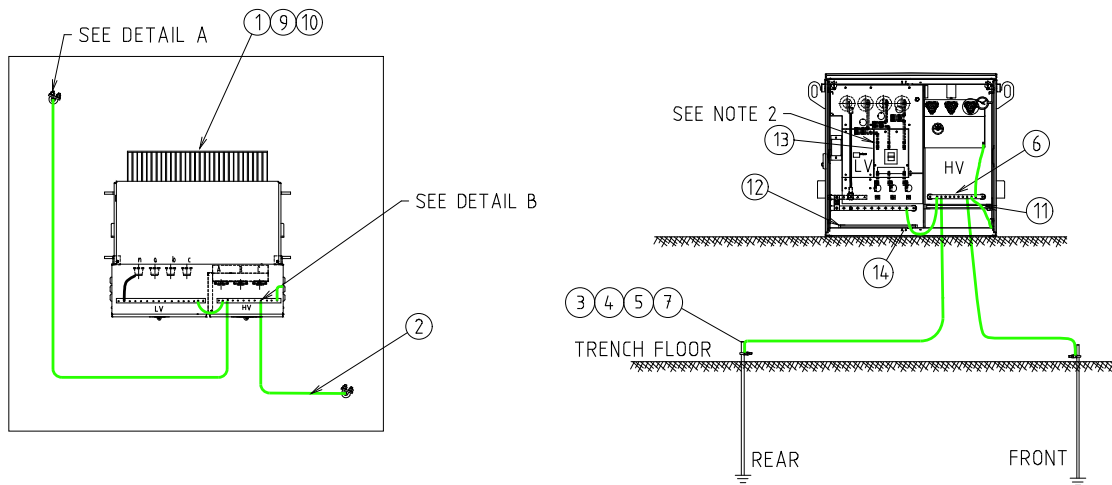
CU	CU Description
-----------	-----------------------

HU59_1000/33 Non MPS MKII District Outside 1000/33kV					
ITEM NUMBER	STOCK CODE	DESCRIPTION	QTY RQD	UNIT OF MEASURE	REMARKS
1	XA2453	1000 kVA Non MPS	1	ea	
2	EE1264	conductor 70mm ² PVC insulated copper green / yellow	10	mr	
3	CE0135	earth rod	12	ea	
4	CE0058	earth clamp	3	ea	
5	CE0078	earth coupling	10	ea	
6	FL1465	earthing lug	6	ea	
7	CE0116	driving point for earth rods	0	ea	See Note 2
8	FL0144	Bolted Q-lug	2	ea	
9	EM0014	conductor 70mm ² bare copper clad steel	1	coil	30m
10	OH0194	padlock	2	ea	Padlocks for Tx only
11	FM0200	Cable Clamp	3	ea	MV Cables
12	FM0201	Cable Clamp	1	ea	Neutral Cable
14	FM0203	Cable clamp	3	ea	LV Cables

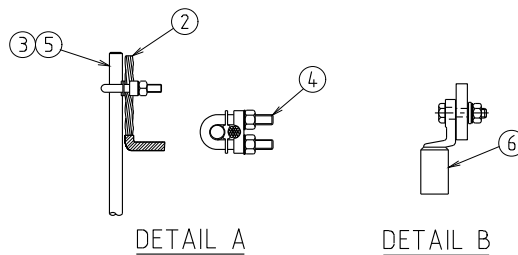
NON MPS WITH HV SWITCHGEAR



NON MPS WITHOUT HV SWITCHGEAR



- NOTES:-
 1. ORDER CE0116 FOR HARD SOIL.
 2. MCCB SUPPLIED WITH 630 & 1000kVA UNITS.
 315kVA WILL BE SUPPLIED WITH FUSEWAY & FUSES.



			COMPATIBLE UNIT			DISTRIBUTION DESIGN CATALOGUE			
J	08.08.23	NOTES REVISED	AC	ML	CO	TITLE		315, 630, 1000kVA	
H	06.12.21	ITEM FM0203 ADDED	KJ	KT	PC	NON MPS TRANSFORMER SOLE USE		INSIDE INSTALLATION	
G	30.06.21	Tx TYPE CHANGED	KJ	EO	GS	DRAWN: JRR		DATE: 04-04-2014 DRG. No.	
F	28.02.19	EARTH LOOP NOTE ADDED	NM	NN	GS	ORIGINATED: REE		SCALE: NTS	
E	29.05.18	EARTHING SYSTEM MODIFIED	NM	CO	GS	CHECKED: REE		HU060	
REV	DATE	DESCRIPTION	ORGD.	CHKD.	APRD.	APPROVED: GRANT STACY		REV. J SHT.	

CU	CU Description
-----------	-----------------------

HU60_31511	Non MPS MKII Sole Use Inside 315 / 6-11kV
-------------------	--

ITEM NUMBER	STOCK CODE	DESCRIPTION	QTY RQD	UNIT OF MEASURE	REMARKS
1	XA2445	315kVA Non MPS	1	ea	
2	EE1264	conductor 70mm ² PVC insulated copper green / yellow	10	mr	
3	CE0135	earth rod	12	ea	
4	CE0058	earth clamp	2	ea	
5	CE0078	earth coupling	10	ea	
6	FL1465	Earthing lug	6	ea	
7	CE0116	Earth driving point	0	ea	See Note 1
9	OH0193	oval lock	2	ea	Lock cylinders for s/s doors
10	OH0194	padlock	2	ea	Padlocks for Tx only
11	FM0200	Cable Clamp	3	ea	
12	FM0201	Cable Clamp	4	ea	
13	GF1103	500A Fuse Link	3	ea	Tx fuse for arc flash protection

HU60_63011	Non MPS MKII Sole Use Inside 630 / 6-11kV
-------------------	--

ITEM NUMBER	STOCK CODE	DESCRIPTION	QTY RQD	UNIT OF MEASURE	REMARKS
1	XA2446	630 kVA Non MPS	1	ea	
2	EE1264	conductor 70mm ² PVC insulated copper green / yellow	10	mr	
3	CE0135	earth rod	12	ea	
4	CE0058	earth clamp	2	ea	
5	CE0078	earth coupling	10	ea	
6	FL1465	earthing lug	6	ea	
7	CE0116	driving point for earth rods	0	ea	See Note 1
9	OH0193	oval lock	2	ea	Lock cylinders for s/s doors
10	OH0194	padlock	2	ea	Padlocks for Tx only
11	FM0200	Cable Clamp	3	ea	
12	FM0201	Cable Clamp	4	ea	

CU	CU Description
----	----------------

HU60_10001 Non MPS MKII Sole Use Inside 1000/6-11kV					
ITEM NUMBER	STOCK CODE	DESCRIPTION	QTY RQD	UNIT OF MEASURE	REMARKS
1	XA2447	1000 kVA Non MPS	1	ea	
2	EE1264	conductor 70mm ² PVC insulated copper green / yellow	10	mr	
3	CE0135	earth rod	12	ea	
4	CE0058	earth clamp	2	ea	
5	CE0078	earth coupling	10	ea	
6	FL1465	earthing lug	6	ea	
7	CE0116	driving point for earth rods	0	ea	See Note 1
9	OH0193	oval lock	2	ea	Lock cylinders for s/s doors
10	OH0194	padlock	2	ea	Padlocks for Tx only
11	FM0200	Cable clamp	3	ea	MV Cables
12	FM0201	Cable clamp	1	ea	Neutral Cable
14	FM0203	Cable clamp	3	ea	LV Cables

HU60_31522 Non MPS MKII Sole Use Inside 315/22 kV					
ITEM NUMBER	STOCK CODE	DESCRIPTION	QTY RQD	UNIT OF MEASURE	REMARKS
1	XA2448	315 kVA Non MPS	1	ea	
2	EE1264	conductor 70mm ² PVC insulated copper green / yellow	10	mr	
3	CE0135	earth rod	12	ea	
4	CE0058	earth clamp	2	ea	
5	CE0078	earth coupling	10	ea	
6	FL1465	earthing lug	6	ea	
7	CE0116	earth driving point	0	ea	See Note 1
9	OH0193	oval lock	2	ea	Lock cylinders for s/s doors
10	OH0194	padlock	2	ea	Padlocks for Tx only
11	FM0200	Cable clamp	3	ea	
12	FM0201	Cable clamp	4	ea	
13	GF1103	500A Fuse Link	3	ea	Tx fuse for arc flash protection

CU	CU Description
----	----------------

HU60_63022 Non MPS MKII Sole Use Inside 630/22 kV					
ITEM NUMBER	STOCK CODE	DESCRIPTION	QTY RQD	UNIT OF MEASURE	REMARKS
1	XA2449	630 kVA Non MPS	1	ea	
2	EE1264	conductor 70mm ² PVC insulated copper green / yellow	10	mr	
3	CE0135	earth rod	12	ea	
4	CE0058	earth clamp	2	ea	
5	CE0078	earth coupling	10	ea	
6	FL1465	earthing lug	6	ea	
7	CE0116	driving point for earth rods	0	ea	See Note 1
9	OH0193	oval lock	2	ea	Lock cylinders for s/s doors
10	OH0194	padlock	2	ea	Padlocks for Tx only
11	FM0200	Cable clamp	3	ea	
12	FM0201	Cable clamp	4	ea	

HU60_10002 Non MPS MKII Sole Use Inside 1000/22 kV					
ITEM NUMBER	STOCK CODE	DESCRIPTION	QTY RQD	UNIT OF MEASURE	REMARKS
1	XA2450	1000 kVA Non MPS	1	ea	
2	EE1264	conductor 70mm ² PVC insulated copper green / yellow	10	mr	
3	CE0135	earth rod	12	ea	
4	CE0058	earth clamp	2	ea	
5	CE0078	earth coupling	10	ea	
6	FL1465	earthing lug	6	ea	
7	CE0116	earth driving point	0	ea	See Note 1
9	OH0193	oval lock	2	ea	Lock cylinders for s/s doors
10	OH0194	padlock	2	ea	Padlocks for Tx only
11	FM0200	Cable clamp	3	ea	MV Cables
12	FM0201	Cable clamp	1	ea	Neutral Cable
14	FM0203	Cable clamp	3	ea	LV Cables

CU	CU Description
----	----------------

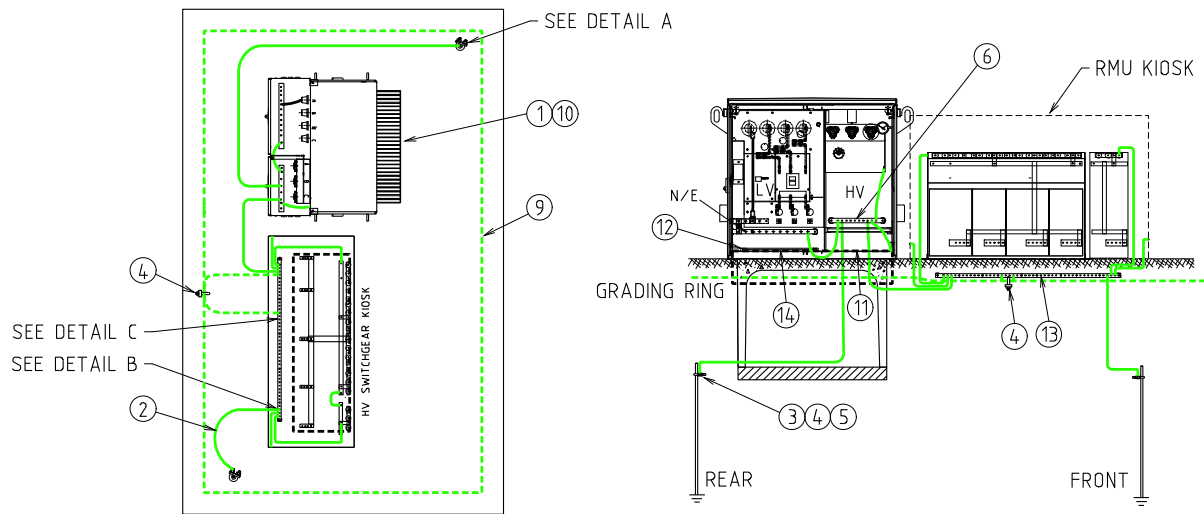
HU60_31533 Non MPS MKII Sole Use Inside 315/33 kV					
ITEM NUMBER	STOCK CODE	DESCRIPTION	QTY RQD	UNIT OF MEASURE	REMARKS
1	XA2451	315kVA Non MPS	1	ea	
2	EE1264	conductor 70mm ² PVC insulated copper green / yellow	10	mr	
3	CE0135	earth rod	12	ea	
4	CE0058	earth clamp	2	ea	
5	CE0078	earth coupling	10	ea	
6	FL1465	earthing lug	6	ea	
7	CE0116	driving point for earth rods	0	ea	See Note 1
9	OH0193	oval lock	2	ea	Lock cylinders for s/s doors
10	OH0194	padlock	2	ea	Padlocks for Tx only
11	FM0200	Cable clamp	3	ea	
12	FM0201	Cable clamp	4	ea	
13	GF1103	500A Fuse Link	3	ea	Tx fuse for arc flash protection

HU60_63033 Non MPS MKII Sole Use Inside 630/33 kV					
ITEM NUMBER	STOCK CODE	DESCRIPTION	QTY RQD	UNIT OF MEASURE	REMARKS
1	XA2452	630 kVA Non MPS	1	ea	
2	EE1264	conductor 70mm ² PVC insulated copper green / yellow	10	mr	
3	CE0135	earth rod	12	ea	
4	CE0058	earth clamp	2	ea	
5	CE0078	earth coupling	10	ea	
6	FL1465	earthing lug	6	ea	
7	CE0116	earth driving point	0	ea	See Note 1
9	OH0193	oval lock	2	ea	Lock cylinders for s/s doors
10	OH0194	padlock	2	ea	Padlocks for Tx only
11	FM0200	Cable clamp	3	ea	
12	FM0201	Cable clamp	4	ea	

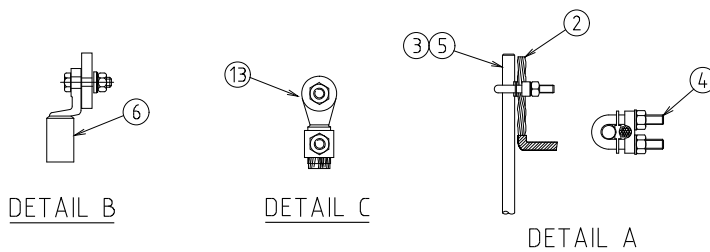
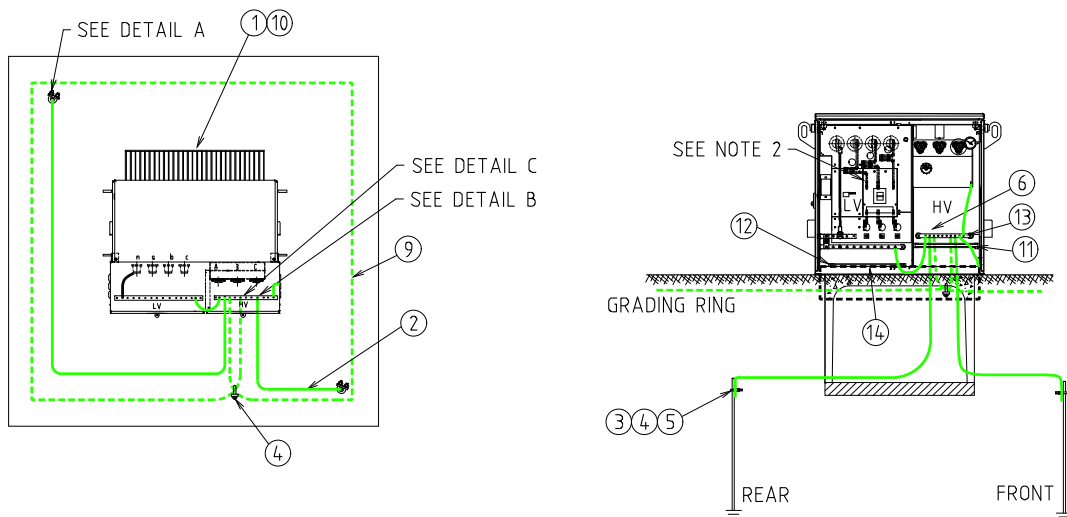
CU	CU Description
-----------	-----------------------

HU60_100033 Non MPS MKII Sole Use Inside 1000/33 kV					
ITEM NUMBER	STOCK CODE	DESCRIPTION	QTY RQD	UNIT OF MEASURE	REMARKS
1	XA2453	1000 kVA Non MPS	1	ea	
2	EE1264	conductor 70mm ² PVC insulated copper green / yellow	10	mr	
3	CE0135	earth rod	12	ea	
4	CE0058	earth clamp	2	ea	
5	CE0078	earth coupling	10	ea	
6	FL1465	earthing lug	6	ea	
7	CE0116	earth driving point	0	ea	See Note 1
9	OH0193	oval lock	2	ea	Lock cylinders for s/s doors
10	OH0194	padlock	2	ea	Padlocks for Tx only
11	FM0200	Cable clamp	3	ea	MV Cables
12	FM0201	Cable clamp	1	ea	Neutral Cable
14	FM0203	Cable clamp	3	ea	LV Cables

NON MPS WITH HV SWITCHGEAR



NON MPS WITHOUT HV SWITCHGEAR



- NOTES:-
 1. ORDER CE0116 FOR HARD SOIL.
 2. MCCB SUPPLIED WITH 630 & 1000kVA. 315kVA WILL BE SUPPLIED WITH FUSEWAY & FUSES.

			COMPATIBLE UNIT			DISTRIBUTION DESIGN CATALOGUE			
L	08.08.23	NOTES REVISED	AC	ML	CO	DRAWN: JRR		DATE: 04-04-2014	DRG. No.
K	06.12.21	ITEM FM0203 ADDED	KJ	KT	PC	ORIGINATED:		SCALE: NTS	HU060A
J	30.06.21	Tx TYPE CHANGED	KJ	CO	GS	CHECKED: REE		APPROVED:	
H	19.06.19	EARTH CONNECTION MODIFIED IN NON MPS W/O HV S/G	SY	NMc	GS	APPROVED: GRANT STACY		REV. L	
REV	DATE	DESCRIPTION	DRG.	CHKD.	APRD.	TITLE 315, 630, 1000kVA NON MPS TRANSFORMER SOLE USE OUTSIDE INSTALLATION			

CU	CU Description
-----------	-----------------------

HU60_315/11 Non MPS MKII Sole Use Outside 315 /6-11 kV					
ITEM NUMBER	STOCK CODE	DESCRIPTION	QTY RQD	UNIT OF MEASURE	REMARKS
1	XA2445	315 kVA Non MPS	1	ea	
2	EE1264	conductor 70mm ² PVC insulated copper green / yellow	10	mr	
3	CE0135	earth rod	12	ea	
4	CE0058	earth clamp	3	ea	
5	CE0078	earth coupling	10	ea	
6	FL1465	earthing lug	6	ea	
7	CE0116	driving point for earth rods	0	ea	See Note 1
8	EM0014	conductor 70mm ² bare copper clad steel	1	coil	30m
9	OH0194	padlock	2	ea	Padlocks for Tx only
10	FM0200	Cable Clamp	3	ea	
11	FM0201	Cable Clamp	4	ea	
12	FL0144	Bolted Q-lugs	2	ea	
13	GF1103	500A Fuse Link	3	ea	Tx fuse for arc flash protection

HU60_630/11 Non MPS MKII Sole Use Outside 630/6-11 kV					
ITEM NUMBER	STOCK CODE	DESCRIPTION	QTY RQD	UNIT OF MEASURE	REMARKS
1	XA2446	630 kVA Non MPS	1	ea	
2	EE1264	conductor 70mm ² PVC insulated copper green / yellow	10	mr	
3	CE0135	earth rod	12	ea	
4	CE0058	earth clamp	3	ea	
5	CE0078	earth coupling	10	ea	
6	FL1465	earthing lug	6	ea	
7	CE0116	driving point for earth rods	0	ea	See Note 1
8	EM0014	conductor 70mm ² bare copper clad steel	1	coil	30m
9	OH0194	padlock	2	ea	Padlocks for Tx only
10	FM0200	Cable Clamp	3	ea	
11	FM0201	Cable Clamp	4	ea	
12	FL0144	Bolted Q-lugs	2	ea	

CU	CU Description
-----------	-----------------------

HU60_100011 Non MPS MKII Sole Use Outside 1000/6-11 kV					
ITEM NUMBER	STOCK CODE	DESCRIPTION	QTY RQD	UNIT OF MEASURE	REMARKS
1	XA2447	1000 kVA Non MPS	1	ea	
2	EE1264	conductor 70mm ² PVC insulated copper green / yellow	10	mr	
3	CE0135	earth rod	12	ea	
4	CE0058	earth clamp	3	ea	
5	CE0078	earth coupling	10	ea	
6	FL1465	earthing lug	6	ea	
7	CE0116	driving point for earth rods	0	ea	See Note 1
8	EM0014	conductor 70mm ² bare copper clad steel	1	coil	30m
9	OH0194	padlock	2	ea	Padlocks for Tx only
10	FM0200	Cable clamp	3	ea	MV Cables
11	FM0201	Cable clamp	1	ea	Neutral Cable
12	FL0144	Bolted Q-lugs	2	ea	
14	FM0203	Cable clamp	3	ea	LV Cables

HU60_315/22 Non MPS MKII Sole Use Outside 315/22 kV					
ITEM NUMBER	STOCK CODE	DESCRIPTION	QTY RQD	UNIT OF MEASURE	REMARKS
1	XA2448	315 kVA Non MPS	1	ea	
2	EE1264	conductor 70mm ² PVC insulated copper green / yellow	10	mr	
3	CE0135	earth rod	12	ea	
4	CE0058	earth clamp	3	ea	
5	CE0078	earth coupling	10	ea	
6	FL1465	earthing lug	6	ea	
7	CE0116	driving point for earth rods	0	ea	See Note 1
8	EM0014	conductor 70mm ² bare copper clad steel	1	coil	30m
9	OH0194	padlock	2	ea	Padlocks for Tx only
10	FM0200	Cable clamp	3	ea	
11	FM0201	Cable clamp	4	ea	
12	FL0144	Bolted Q-lugs	2	ea	
13	GF1103	500A Fuse Link	3	ea	Tx fuse for arc flash protection

CU	CU Description
----	----------------

HU60_630/22 Non MPS MKII Sole Use Outside 630/22 kV

ITEM NUMBER	STOCK CODE	DESCRIPTION	QTY RQD	UNIT OF MEASURE	REMARKS
1	XA2449	630 kVA Non MPS	1	ea	
2	EE1264	conductor 70mm ² PVC insulated copper green / yellow	10	mr	
3	CE0135	earth rod	12	ea	
4	CE0058	earth clamp	3	ea	
5	CE0078	earth coupling	10	ea	
6	FL1465	earthing lug	6	ea	
7	CE0116	driving point for earth rods	0	ea	See Note 1
8	EM0014	conductor 70mm ² bare copper clad steel	1	coil	30m
9	OH0194	padlock	2	ea	Padlocks for Tx only
10	FM0200	Cable clamp	3	ea	
11	FM0201	Cable clamp	4	ea	
12	FL0144	Bolted Q-lugs	2	ea	

HU60_100022 Non MPS MKII Sole Use Outside 1000/22 kV

ITEM NUMBER	STOCK CODE	DESCRIPTION	QTY RQD	UNIT OF MEASURE	REMARKS
1	XA2450	1000 kVA Non MPS	1	ea	
2	EE1264	conductor 70mm ² PVC insulated copper green / yellow	10	mr	
3	CE0135	earth rod	12	ea	
4	CE0058	earth clamp	3	ea	
5	CE0078	earth coupling	10	ea	
6	FL1465	earthing lug	6	ea	
7	CE0116	driving point for earth rods	0	ea	See Note 1
8	EM0014	conductor 70mm ² bare copper clad steel	1	coil	30m
9	OH0194	padlock	2	ea	Padlocks for Tx only
10	FM0200	Cable clamp	3	ea	MV Cables
11	FM0201	Cable clamp	1	ea	Neutral Cable
12	FL0144	Bolted Q-lugs	2	ea	
14	FM0203	Cable clamp	3	ea	LV Cables

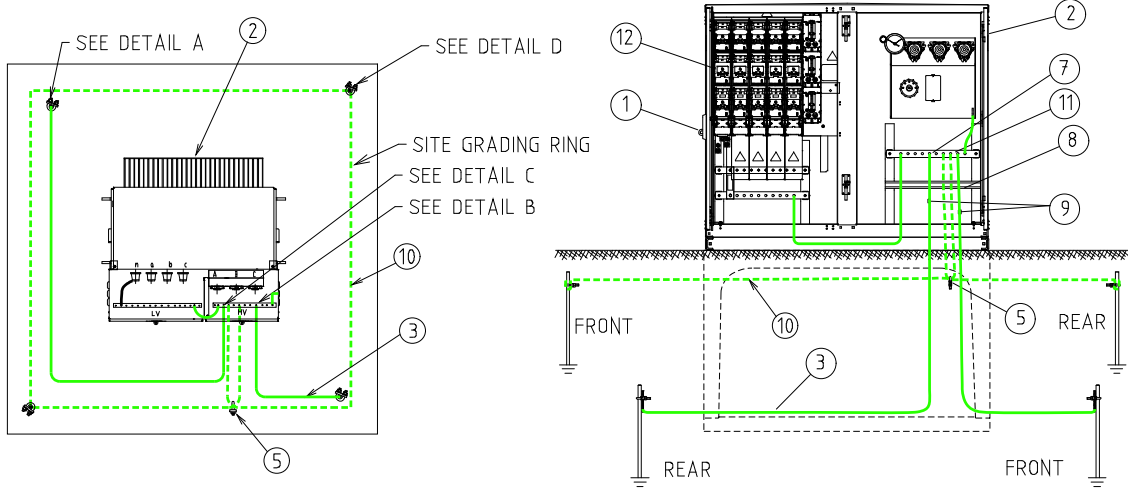
CU	CU Description
----	----------------

HU60_315/33 Non MPS MKII Sole Use Outside 315/33 kV					
ITEM NUMBER	STOCK CODE	DESCRIPTION	QTY RQD	UNIT OF MEASURE	REMARKS
1	XA2451	315 kVA Non MPS	1	ea	
2	EE1264	conductor 70mm ² PVC insulated copper green / yellow	10	mr	
3	CE0135	earth rod	12	ea	
4	CE0058	earth clamp	3	ea	
5	CE0078	earth coupling	10	ea	
6	FL1465	earthing lug	6	ea	
7	CE0116	driving point for earth rods	0	ea	See Note 1
8	EM0014	conductor 70mm ² bare copper clad steel	1	coil	30m
9	OH0194	padlock	2	ea	Padlocks for Tx only
10	FM0200	Cable clamp	3	ea	
11	FM0201	Cable clamp	4	ea	
12	FL0144	Bolted Q-lugs	2	ea	
13	GF1103	500A Fuse Link	3	ea	Tx fuse for arc flash protection

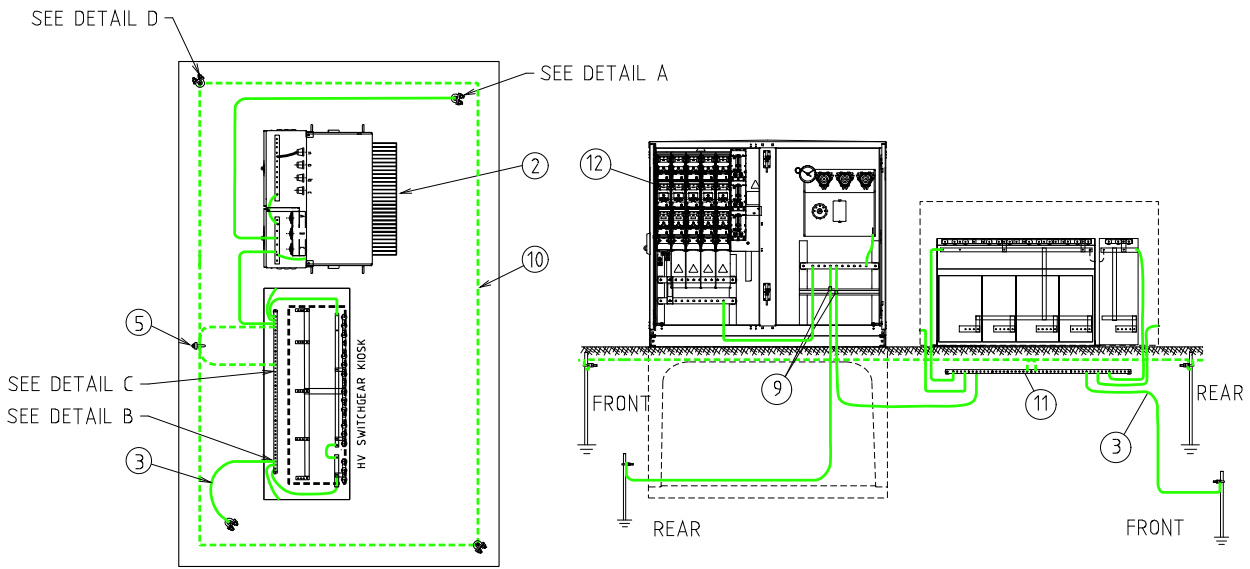
HU60_630/33 Non MPS MKII Sole Use Outside 630/33 kV					
ITEM NUMBER	STOCK CODE	DESCRIPTION	QTY RQD	UNIT OF MEASURE	REMARKS
1	XA2452	630 kVA Non MPS	1	ea	
2	EE1264	conductor 70mm ² PVC insulated copper green / yellow	10	mr	
3	CE0135	earth rod	12	ea	
4	CE0058	earth clamp	3	ea	
5	CE0078	earth coupling	10	ea	
6	FL1465	earthing lug	6	ea	
7	CE0116	driving point for earth rods	0	ea	See Note 1
8	EM0014	conductor 70mm ² bare copper clad steel	1	coil	30m
9	OH0194	padlock	2	ea	Padlocks for Tx only
10	FM0200	Cable clamp	3	ea	
11	FM0201	Cable clamp	4	ea	
12	FL0144	Bolted Q-lugs	2	ea	

CU	CU Description
----	----------------

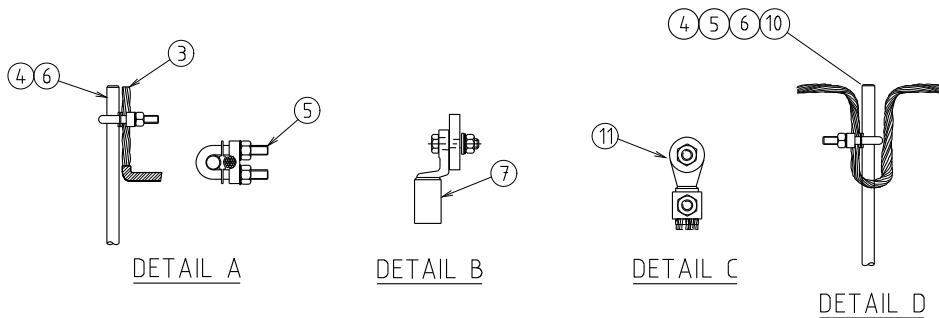
HU60_1000/33 Non MPS MKII Sole Use Outside 1000/33 kV					
ITEM NUMBER	STOCK CODE	DESCRIPTION	QTY RQD	UNIT OF MEASURE	REMARKS
1	XA2453	1000 kVA Non MPS	1	ea	
2	EE1264	conductor 70mm ² PVC insulated copper green / yellow	10	mr	
3	CE0135	earth rod	12	ea	
4	CE0058	earth clamp	3	ea	
5	CE0078	earth coupling	10	ea	
6	FL1465	earthing lug	6	ea	
7	CE0116	driving point for earth rods	0	ea	See Note 1
8	EM0014	conductor 70mm ² bare copper clad steel	1	coil	30m
9	OH0194	padlock	2	ea	Padlocks for Tx only
10	FM0200	Cable clamp	3	ea	MV Cables
11	FM0201	Cable clamp	1	ea	Neutral Cable
12	FL0144	Bolted Q-lugs	2	ea	
14	FM0203	Cable clamp	3	ea	LV Cables



MPS WITHOUT HV SWITCHGEAR



MPS WITH HV SWITCHGEAR



NOTES:-
1. ORDER CE0116 FOR HARD SOIL.

			TITLE			COMPATIBLE UNIT		DISTRIBUTION DESIGN CATALOGUE		westernpower	
J	08.08.23	NOTES REVISED	AC	ML	CO	OLD & NEW 315, 630kVA MPS		DRAWN: JRR	DATE: 04-04-2014	DRG. No.	
H	23.08.19	FUSES ADDED	NMc	NN	GS			ORIGINATED:	SCALE: NTS	HU061	
G	29.05.18	EARTHING SYSTEM MODIFIED	NMc	CO	GS			CHECKED: REE			
F	21.03.18	EARTHING SYSTEM MODIFIED	REE	JC	GS			APPROVED:	GRANT STACY	REV: J	SHT.
REV	DATE	DESCRIPTION	DRGD.	CHKD.	APRD.						

CU	CU Description
----	----------------

HU61_315/11 (New) MPS 315kVA / 6-11kV district					
ITEM NUMBER	STOCK CODE	DESCRIPTION	QTY RQD	UNIT OF MEASURE	REMARKS
1	OH0194	padlock	1	ea	
2	XA2414	315 kVA MPS	1	ea	
3	EE1264	conductor 70mm ² PVC insulated copper green / yellow	10	mr	
4	CE0135	earth rod	12	ea	
5	CE0058	earth clamp	5	ea	
6	CE0078	earth coupling	10	ea	
7	FL1465	earthing lug	6	ea	
8	FM0200	Cable Clamp	3	ea	
9	HG2102	Tag	2	ea	
10	EM0014	conductor 70mm ² bare copper clad steel	1	coil	30m
11	FL0144	Bolted Q-lug	2	ea	
12	GF2129	Fuse link 250A	6	ea	Tx Fuse for Arc Flash Protection
HU61_630/11 (New) MPS 630kVA / 6-11kV district					
ITEM NUMBER	STOCK CODE	DESCRIPTION	QTY RQD	UNIT OF MEASURE	REMARKS
1	OH0194	padlock	1	ea	
2	XA2416	630 kVA MPS	1	ea	
3	EE1264	conductor 70mm ² PVC insulated copper green / yellow	10	mr	
4	CE0135	earth rod	12	ea	
5	CE0058	earth clamp	5	ea	
6	CE0078	earth coupling	10	ea	
7	FL1465	earthing lug	6	ea	
8	FM0200	Cable Clamp	3	ea	
9	HG2102	Tag	2	ea	
10	EM0014	conductor 70mm ² bare copper clad steel	1	coil	30m
11	FL0144	Bolted Q-lug	2	ea	
12	GF1102	Fuse link 400A	6	ea	Tx Fuse for Arc Flash Protection

CU	CU Description
----	----------------

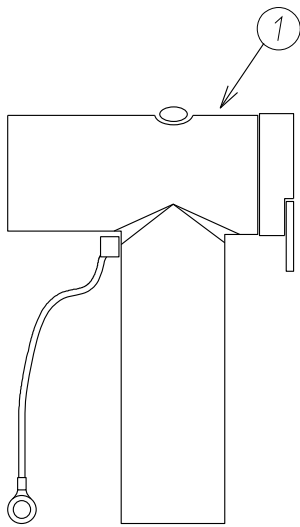
HU61_315/22 (New) MPS 315kVA / 22kV district					
ITEM NUMBER	STOCK CODE	DESCRIPTION	QTY RQD	UNIT OF MEASURE	REMARKS
1	OH0194	padlock	1	ea	
2	XA2420	315 kVA MPS	1	ea	
3	EE1264	conductor 70mm ² PVC insulated copper green / yellow	10	mr	
4	CE0135	earth rod	12	ea	
5	CE0058	earth clamp	5	ea	
6	CE0078	earth coupling	10	ea	
7	FL1465	Earthing crimp lug	6	ea	
8	FM0200	Cable clamp	3	ea	
9	HG2102	Tag	2	ea	
10	EM0014	conductor 70mm ² bare copper clad steel	1	coil	30m
11	FL0144	Bolted Q-lug	2	ea	
12	GF2129	Fuse link 250A	6	ea	Tx Fuse for Arc Flash Protection

HU61_630/22 (New) MPS 630kVA /22kV district					
ITEM NUMBER	STOCK CODE	DESCRIPTION	QTY RQD	UNIT OF MEASURE	REMARKS
1	OH0194	padlock	1	ea	
2	XA2422	630 kVA MPS	1	ea	
3	EE1264	conductor 70mm ² PVC insulated copper green / yellow	10	mr	
4	CE0135	earth rod	12	ea	
5	CE0058	earth clamp	5	ea	
6	CE0078	earth coupling	10	ea	
7	FL1465	earthing crimp lug	6	ea	
8	FM0200	Cable clamp	3	ea	
9	HG2102	Tag	2	ea	
10	EM0014	conductor 70mm ² bare copper clad steel	1	coil	30m
11	FL0144	Bolted Q-lug	2	ea	
12	GF1102	Fuse link 400A	6	ea	Tx Fuse for Arc Flash Protection

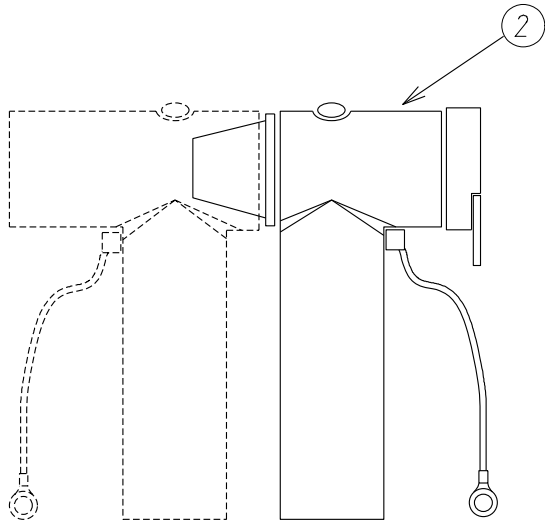
CU	CU Description
-----------	-----------------------

HU61_315/33 (New) MPS 315kVA / 33kV district					
ITEM NUMBER	STOCK CODE	DESCRIPTION	QTY RQD	UNIT OF MEASURE	REMARKS
1	OH0194	padlock	1	ea	
2	XA2424	315 kVA MPS	1	ea	
3	EE1264	conductor 70mm ² PVC insulated copper green / yellow	10	mr	
4	CE0135	earth rod	12	ea	
5	CE0058	earth clamp	5	ea	
6	CE0078	earth coupling	10	ea	
7	FL1465	earthing lug	6	ea	
8	FM0200	Cable Clamp	3	ea	
9	HG2102	Tag	2	ea	
10	EM0014	conductor 70mm ² bare copper clad steel	1	coil	30m
11	FL0144	Bolted Q-lug	2	ea	
12	GF2129	Fuse link 250A	6	ea	Tx Fuse for Arc Flash Protection

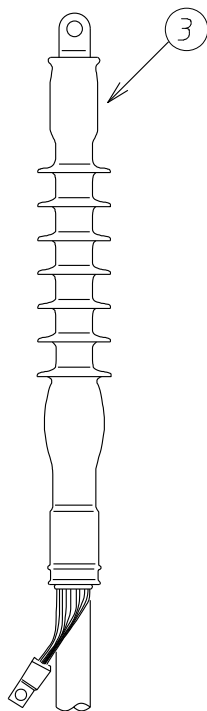
HU61_630/33 (New) MPS 630kVA / 33kV district					
ITEM NUMBER	STOCK CODE	DESCRIPTION	QTY RQD	UNIT OF MEASURE	REMARKS
1	OH0194	padlock	1	ea	
2	XA2425	630 kVA MPS	1	ea	
3	EE1264	conductor 70mm ² PVC insulated copper green / yellow	10	mr	
4	CE0135	earth rod	12	ea	
5	CE0058	earth clamp	5	ea	
6	CE0078	earth coupling	10	ea	
7	FL1465	earthing lug	6	ea	
8	FM0200	Cable Clamp	3	ea	
9	HG2102	Tag	2	ea	
10	EM0014	conductor 70mm ² bare copper clad steel	1	coil	30m
11	FL0144	Bolted Q-lug	2	ea	
12	GF1102	Fuse link 400A	6	ea	Tx Fuse for Arc Flash Protection



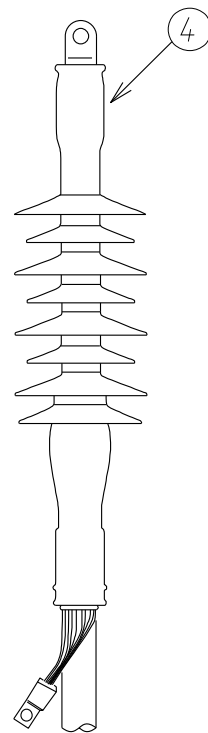
INDOOR - GIS - 1ST FEEDER



INDOOR - GIS - 2ND FEEDER



INDOOR - AIS



OUTDOOR - AIS

					COMPATIBLE UNIT			DISTRIBUTION DESIGN CATALOGUE			
					TITLE			DRAWN: JRR		DATE: 27-07-2023	
					ZONE SUBSTATION FEEDER			ORIGINATED: TM		SCALE: NTS	
					TERMINATION / ELBOW CONNECTOR			CHECKED: SH		DRG. No. HU062	
								APPROVED: CHRIS OMODEI		REV. A	
A	02.08.23	ORIGINAL ISSUE	TM	SH	CO						
REV	DATE	DESCRIPTION	ORGD.	CHKD.	APPRD.						

CU	CU Description
-----------	-----------------------

HU62_22GE185 22kV GIS elbow connector, cold shrink, 185mm²					
ITEM NUMBER	STOCK NUMBER	DESCRIPTION	QTY RQD	UNIT OF MEASURE	REMARKS
1	FC0279	ELBOW CONNECTOR, 185mm ²	1	set	

HU62_22GE240 22kV GIS elbow connector, cold shrink, 240mm²					
ITEM NUMBER	STOCK NUMBER	DESCRIPTION	QTY RQD	UNIT OF MEASURE	REMARKS
1	FC0283	ELBOW CONNECTOR, 240mm ²	1	set	

HU62_22GE400 22kV GIS elbow connector, cold shrink, 400mm²					
ITEM NUMBER	STOCK NUMBER	DESCRIPTION	QTY RQD	UNIT OF MEASURE	REMARKS
1	FC0280	ELBOW CONNECTOR, 400mm ²	1	set	

HU62_33GE185 33kV GIS elbow connector, cold shrink, 185-240mm²					
ITEM NUMBER	STOCK NUMBER	DESCRIPTION	QTY RQD	UNIT OF MEASURE	REMARKS
1	FC1018	ELBOW CONNECTOR, 185-240mm ²	1	set	

HU62_22GP185 22kV GIS piggyback elbow connector, cold shrink, 185mm²					
ITEM NUMBER	STOCK NUMBER	DESCRIPTION	QTY RQD	UNIT OF MEASURE	REMARKS
2	FC0281	PIGGYBACK ELBOW CONNECTOR, 185mm ²	1	set	For use with FC0279

HU62_22GP240 22kV GIS piggyback elbow connector, cold shrink, 240mm²					
ITEM NUMBER	STOCK NUMBER	DESCRIPTION	QTY RQD	UNIT OF MEASURE	REMARKS
2	FC0284	PIGGYBACK ELBOW CONNECTOR, 240mm ²	1	set	For use with FC0283

HU62_22GP400 22kV GIS piggyback elbow connector, cold shrink, 400mm²					
ITEM NUMBER	STOCK NUMBER	DESCRIPTION	QTY RQD	UNIT OF MEASURE	REMARKS
2	FC0282	PIGGYBACK ELBOW CONNECTOR, 400mm ²	1	set	For use with FC0280

CU	CU Description
-----------	-----------------------

HU62_22AI185 22kV AIS Termination Kit, CSTI 185-240mm²					
ITEM NUMBER	STOCK NUMBER	DESCRIPTION	QTY RQD	UNIT OF MEASURE	REMARKS
3	FJ0197	TERMINATION, INDOOR, 185-240mm ²	1	set	

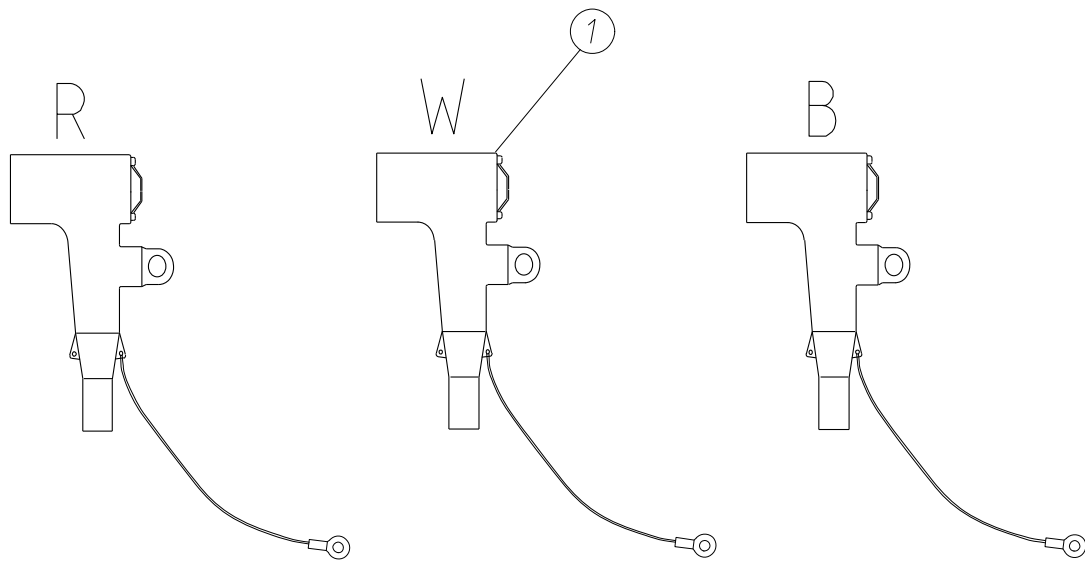
HU62_22AI400 22kV AIS Termination Kit, CSTI 400mm²					
ITEM NUMBER	STOCK NUMBER	DESCRIPTION	QTY RQD	UNIT OF MEASURE	REMARKS
3	FJ0198	TERMINATION, INDOOR, 400mm ²	1	set	

HU62_33AI185 33kV AIS Termination Kit, CSTI 185-240mm²					
ITEM NUMBER	STOCK NUMBER	DESCRIPTION	QTY RQD	UNIT OF MEASURE	REMARKS
3	FJ0196	TERMINATION, INDOOR, 185-240mm ²	1	set	

HU62_22AO185 22kV AIS Termination Kit, CSTO 185-240mm²					
ITEM NUMBER	STOCK NUMBER	DESCRIPTION	QTY RQD	UNIT OF MEASURE	REMARKS
4	FJ0184	TERMINATION, OUTDOOR, 185-240mm ²	1	set	

HU62_22AO400 22kV AIS Termination Kit, CSTO 400mm²					
ITEM NUMBER	STOCK NUMBER	DESCRIPTION	QTY RQD	UNIT OF MEASURE	REMARKS
4	FJ0183	TERMINATION, OUTDOOR, 400mm ²	1	set	

HU62_33AO185 33kV AIS Termination Kit, CSTO 185-240mm²					
ITEM NUMBER	STOCK NUMBER	DESCRIPTION	QTY RQD	UNIT OF MEASURE	REMARKS
4	FJ0183	TERMINATION, OUTDOOR, 185-240mm ²	1	set	



SWITCHGEAR TERMINATION KITS (EDM#6838111)					
Switchgear	Side	Cable size range (mm2)	Stock code	Stock class	Unit of issue
OUTDOOR					
Schneider	Disconnecter	50-95	FC1009	Normal stock	SET OF 3
	Disconnecter	185	FC0279	Normal stock	SET OF 3
	Disconnecter	240	FC0283	Normal stock	SET OF 3
	Disconnecter	400	FC0280	Normal stock	SET OF 3
Alstom (Areva FBA)	Disconnecter	185	FC0279	Normal stock	SET OF 3
	Disconnecter	240	FC0283	Normal stock	SET OF 3
	Disconnecter	400	FC0280	Normal stock	SET OF 3
F & G	Fuse switch	95	FC1009	Slow moving Stock	Each
	Disconnecter	185	FC0279	Normal stock	SET OF 3
	Disconnecter	240	FC0283	Normal stock	SET OF 3
Merlin Gerin RM6	Disconnecter	185	FC0279	Normal stock	SET OF 3
	Disconnecter	240	FC0283	Normal stock	SET OF 3
Merlin Gerin RM6(Pre-1998)	Disconnecter	185-400	FC1010	Normal stock	SET OF 3
INDOOR					
Alstom Fluokit	Disconnecter	95-240	FJ0501	Insurance spare	SET OF 3
Merlin Gerin Vercor	Disconnecter	185-240	Special Order	Normal stock	Special Order
Long and Crawford	Disconnecter	185-240	FJ0618	Slow moving Stock	SET OF 3
FLUSARC	Disconnecter	50-95	FC1009	Normal stock	SET OF 3
	Disconnecter	185-300	FC1008	Normal stock	SET OF 3

			COMPATIBLE UNIT			DISTRIBUTION DESIGN CATALOGUE			
			TITLE			DRAWN: JRR DATE: 27-10-2016		DRG. No.	
			ELBOWS AND 630A SWITCHGEAR / TERMINATIONS			ORIGINATED: JC SCALE: NTS		HU65	
						CHECKED: REE		APPROVED: GRANT STACY	
						REV. C		SHT.	
REV	DATE	DESCRIPTION	ORGD.	CHKD.	APRD.				

CU	CU Description
----	----------------

HU65_185 Elbow 22kV, 630A max, 185mm² XLPE Cable					
--	--	--	--	--	--

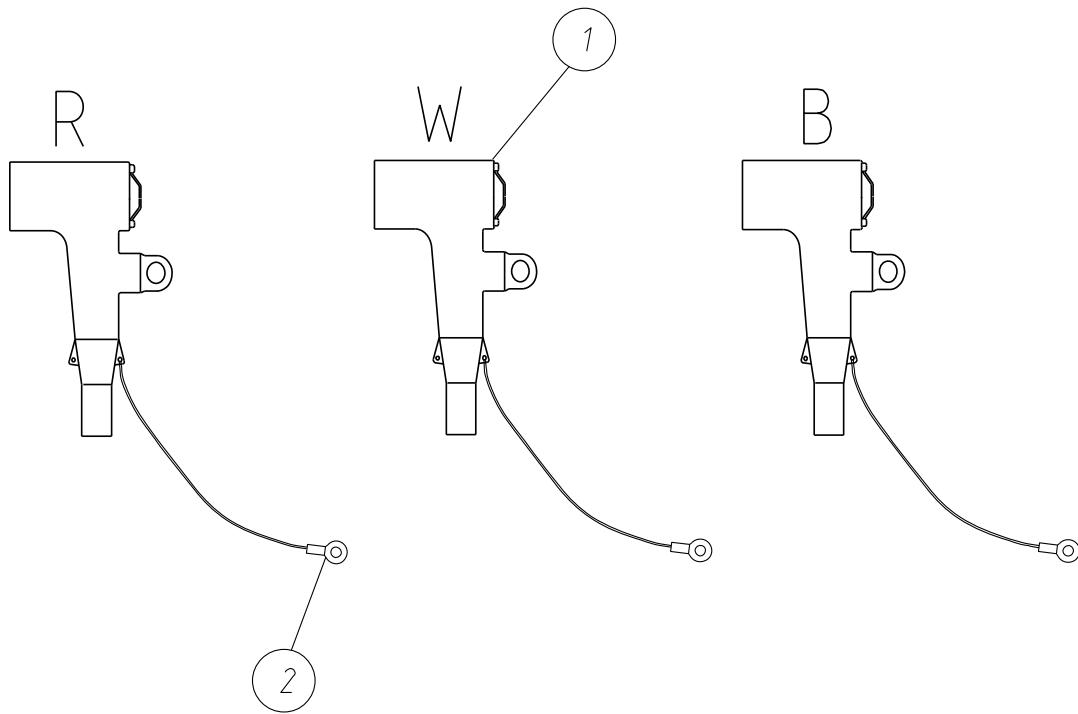
ITEM NUMBER	STOCK CODE	DESCRIPTION	QTY RQD	UNIT OF MEASURE	REMARKS
1	FC0279	Elbow 185mm ² , 22kV	1	set	

HU65_240 Elbow 22kV, 630A max, 240mm² XLPE Cable					
--	--	--	--	--	--

ITEM NUMBER	STOCK CODE	DESCRIPTION	QTY RQD	UNIT OF MEASURE	REMARKS
1	FC0283	Elbow 240mm ² , 22kV	1	set	

HU65_400 Elbow 22kV, 630A max, 400mm² XLPE Cable					
--	--	--	--	--	--

ITEM NUMBER	STOCK CODE	DESCRIPTION	QTY RQD	UNIT OF MEASURE	REMARKS
1	FC0280	Elbow 400mm ² , 22kV	1	set	



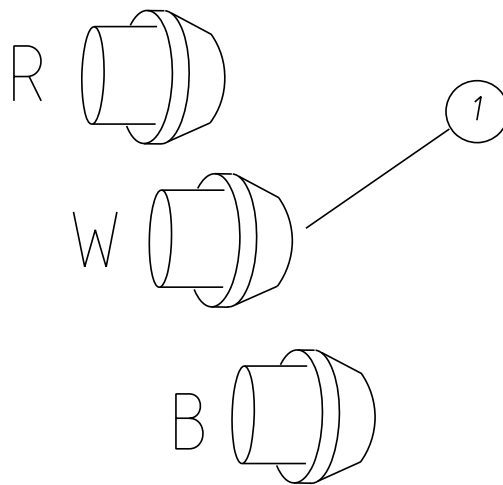
				COMPATIBLE UNIT			DISTRIBUTION DESIGN CATALOGUE		westernpower	
				TITLE			DRAWN: JRR DATE: 08-04-2014		DRG. No.	
				200AMP ELBOWS			ORIGINATED: SCALE: NTS		HU066	
							CHECKED: REE		REV. C	
							APPROVED: GRANT STACY		SHT.	
REV	DATE	DESCRIPTION	DRG.	CHKD.	APRD.					
C	13.06.16	ITEM 2 ADDED		JC	REE	GS				
B	21.04.03	ORIGINAL ISSUE								

CU	CU Description
-----------	-----------------------

HU66_22S Elbow 200A / 22kV max non load break x 1					
ITEM NUMBER	STOCK CODE	DESCRIPTION	QTY RQD	UNIT OF MEASURE	REMARKS
1	FC0316	Elbow Connector 35 mm ²	1	set	Set of 3
2	FL1448	Terminal leg 25mm ² cable	3	ea	

HU66_33 Elbow 200A / 33kV max non load break x 3					
ITEM NUMBER	STOCK CODE	DESCRIPTION	QTY RQD	UNIT OF MEASURE	REMARKS
1	FC0309	Elbow Connector 50 mm ²	3	ea	
2	FL1453	Terminal leg 35mm ² cable	3	ea	

HU66_33S Elbow 200A / 33kV max non load break x 1					
ITEM NUMBER	STOCK CODE	DESCRIPTION	QTY RQD	UNIT OF MEASURE	REMARKS
1	FC0309	elbow 50mm	1	ea	
2	FL1453	Terminal leg 35mm ² cable	3	ea	



NOTES:-

1. DEAD END RECEPTACLES MUST BE USED TO INSULATE UNUSED GROUND MOUNT TRANSFORMER HV BUSHINGS.

				COMPATIBLE UNIT		DISTRIBUTION DESIGN CATALOGUE			
				TITLE					
				DEAD END RECEPTACLES		DRAWN: JRR DATE: 08-04-2014		DRG. No.	
						CHECKED: REE SCALE: NTS		HU067	
						APPROVED: GRANT STACY		REV. B	
						DATE: 08-04-2014		SHT.	
REV. No.	DATE	DESCRIPTION	APPRD.						
B	02.05.2014	FORMAT CHANGED AND NOTE 1 ADDED.	GS						
A	21.01.1999	ORIGINAL ISSUE							

CU	CU Description
-----------	-----------------------

HU67_22_200A Dead end receptacle 22 kV x 3					
ITEM NUMBER	STOCK CODE	DESCRIPTION	QTY RQD	UNIT OF MEASURE	REMARKS
1	FC0320	Dead end receptacle	3	ea	

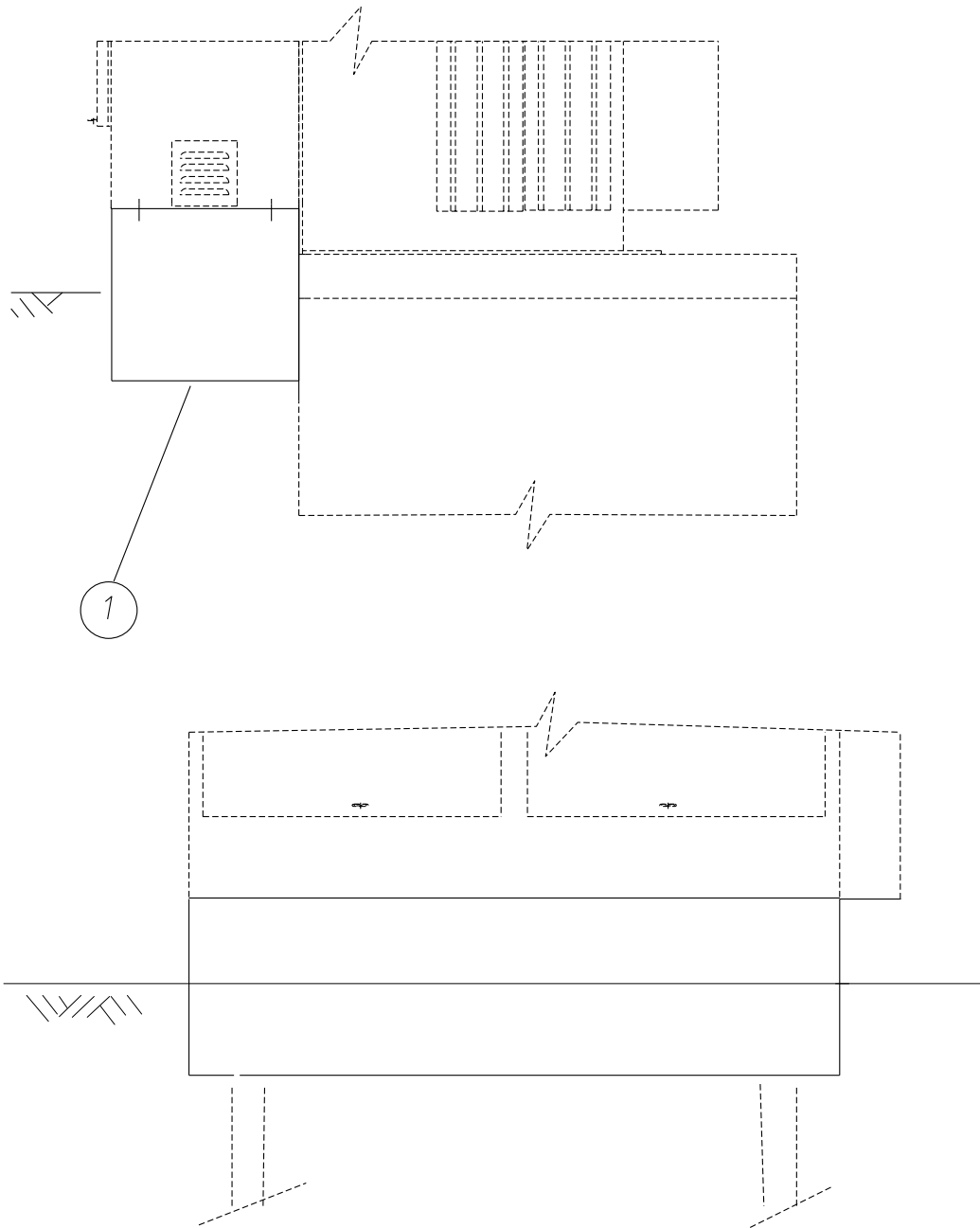
HU67_22S_200A Dead end receptacle 22 kV x 1					
ITEM NUMBER	STOCK CODE	DESCRIPTION	QTY RQD	UNIT OF MEASURE	REMARKS
1	FC0320	Dead end receptacle	1	ea	

HU67_33_200A Dead end receptical 33 kV x 3					
ITEM NUMBER	STOCK CODE	DESCRIPTION	QTY RQD	UNIT OF MEASURE	REMARKS
1	FC0321	Dead end receptacle	3	ea	

HU67_33S_200A Dead end receptical 33 kV x 1					
ITEM NUMBER	STOCK CODE	DESCRIPTION	QTY RQD	UNIT OF MEASURE	REMARKS
1	FC0321	Dead end receptacle	1	ea	

HU67_33_400A Dead end receptical 22kV or 33 kV x 3					
ITEM NUMBER	STOCK CODE	DESCRIPTION	QTY RQD	UNIT OF MEASURE	REMARKS
1	FC0323	Dead end receptacle	3	ea	

HU67_33S_400A Dead end receptical 22kV or 33 kV x 1					
ITEM NUMBER	STOCK CODE	DESCRIPTION	QTY RQD	UNIT OF MEASURE	REMARKS
1	FC0323	Dead end receptacle	1	ea	

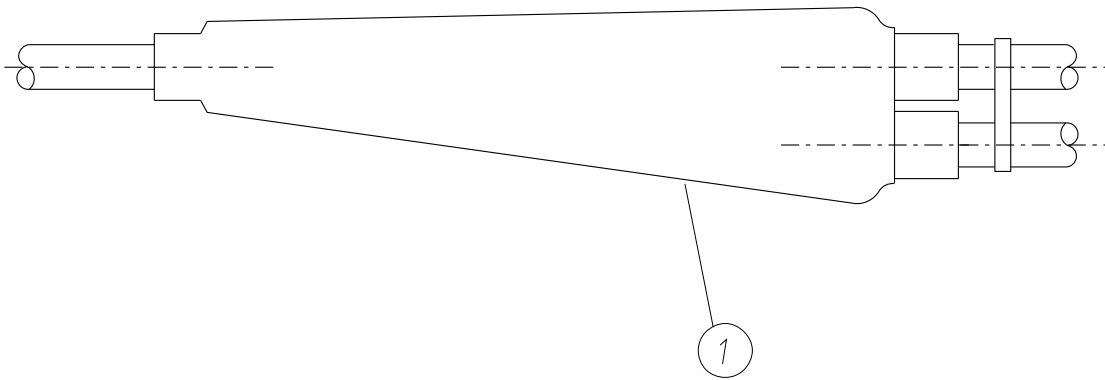


				COMPATIBLE UNIT		DISTRIBUTION DESIGN CATALOGUE			
				TITLE		DRAWN: JRR DATE: 08-04-2014		DRG. No.	
				NON MPS TRANSFORMER CABLE GUARD		ORIGINATED: SCALE: NTS		HU068	
						CHECKED: REE		REV. SHT.	
						APPROVED: GRANT STACY		B	
B	21 04 03	ORIGINAL ISSUE		ORGD.	CHKD.	APRD.			
REV	DATE	DESCRIPTION							

CU	CU Description
-----------	-----------------------

HU68 Non MPS transformer cable guard					
ITEM NUMBER	STOCK CODE	DESCRIPTION	QTY RQD	UNIT OF MEASURE	REMARKS
1	XA2194	Non MPS cable guard	1	ea	

HU68_R33 Non MPS transformer cable guard for Rural, 33kV					
ITEM NUMBER	STOCK CODE	DESCRIPTION	QTY RQD	UNIT OF MEASURE	REMARKS
1	XA2195	Mtg. Base, elect equip-steel; galv; non ext	1	ea	



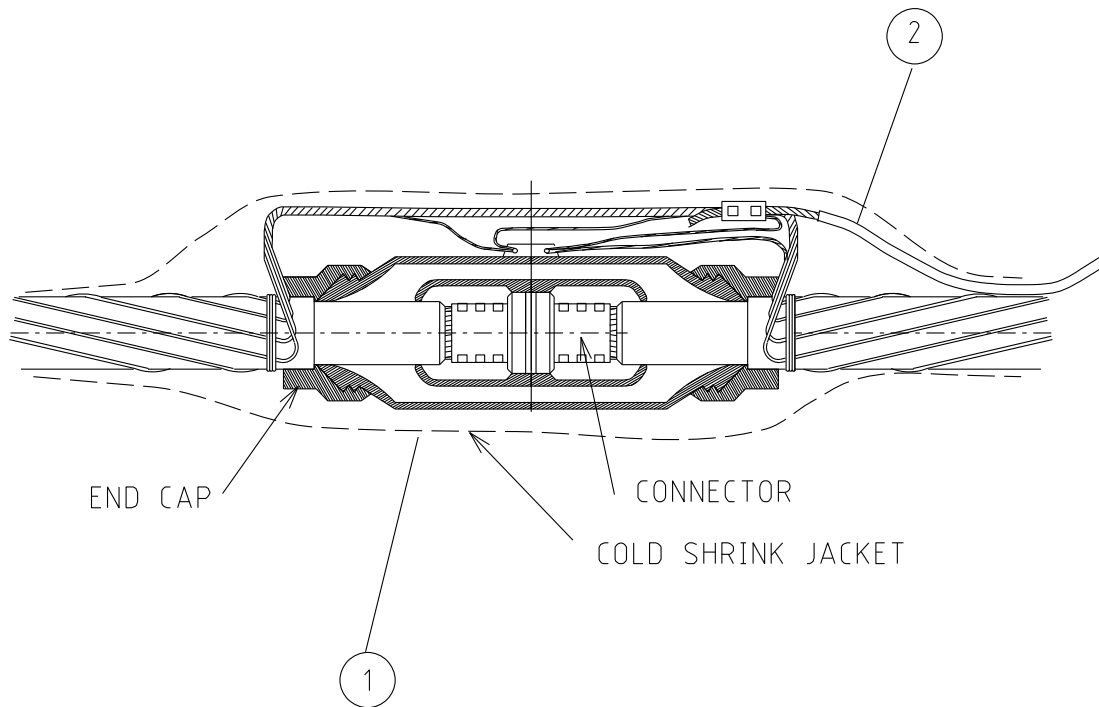
				COMPATIBLE UNIT		DISTRIBUTION DESIGN CATALOGUE			
				TITLE		DRAWN: JRR		DATE: 08-04-2014	
				BREECH JOINT		ORIGINATED:		SCALE: NTS	
						CHECKED: REE		DRG. No. HU071	
						APPROVED: GRANT STACY		REV. C	
C	18 04 03	ORIGINAL ISSUE							
REV	DATE	DESCRIPTION	ORGD.	CHKD.	APPRD.				

CU	CU Description
-----------	-----------------------

HU 71_35/95 Breach joint – 95 to 95 or 35 to 35 – 1 x 1 core					
ITEM NUMBER	STOCK CODE	DESCRIPTION	QTY RQD	UNIT OF MEASURE	REMARKS
1	FJ0227	joint kit 95 to 95 or 35 to 35	1	ea	

HU 71_95/240 Breach joint – 95 to 185 or 95 to 240 only – 3 x 1 core					
ITEM NUMBER	STOCK CODE	DESCRIPTION	QTY RQD	UNIT OF MEASURE	REMARKS
1	FJ0226	joint kit 95 to 185 or 95 to 240	3	ea	

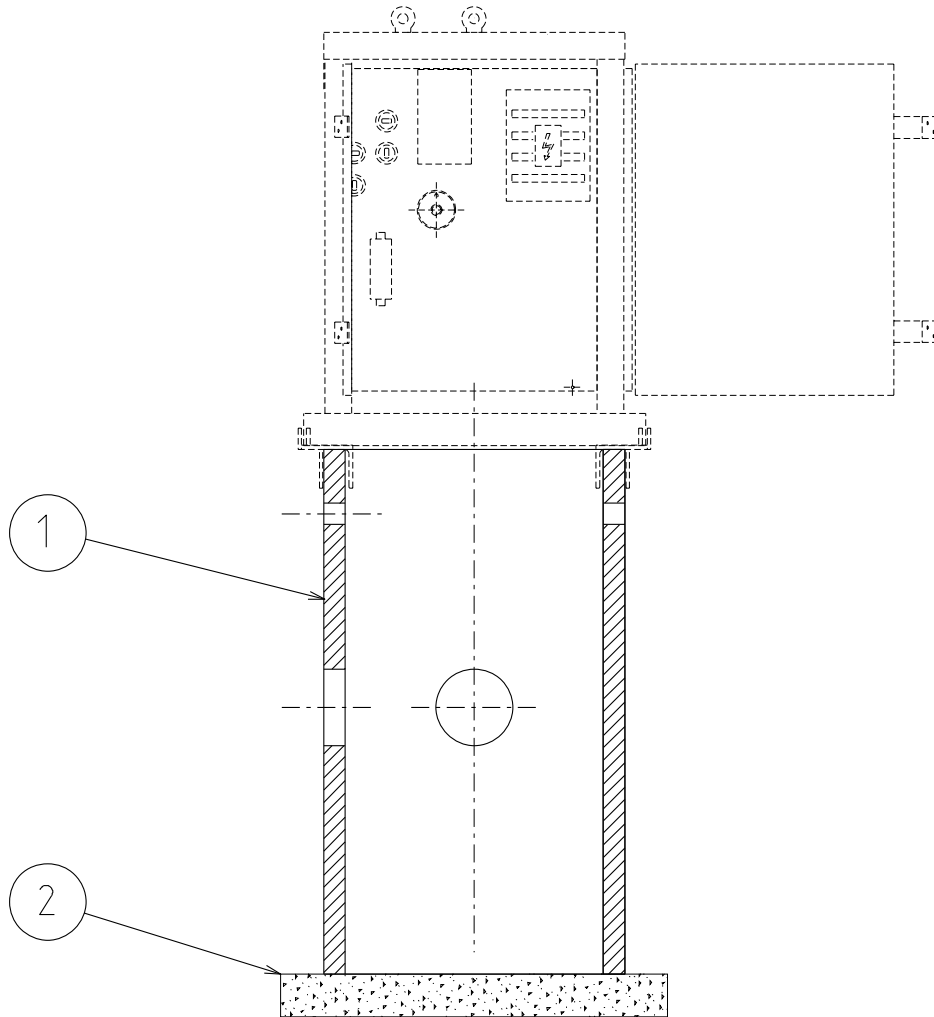
HU 71_95/400 Breach joint – 95 to 400 only – 3 x 1 core					
ITEM NUMBER	STOCK CODE	DESCRIPTION	QTY RQD	UNIT OF MEASURE	REMARKS
1	FJ0229	joint kit 95 to 400	3	ea	



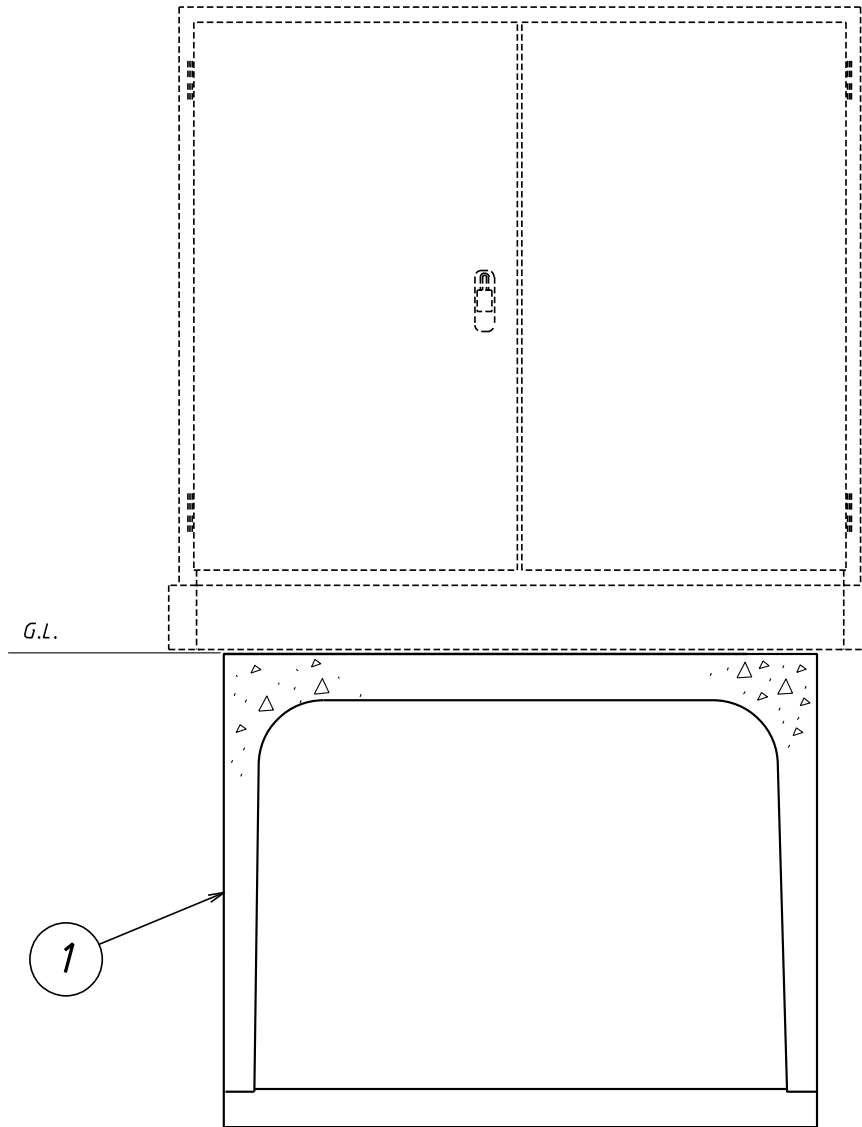
				COMPATIBLE UNIT		DISTRIBUTION DESIGN CATALOGUE			
				TITLE		DRAWN: JRR DATE: 08-04-2014		DRG. No.	
				SPURS STRAIGHT JOINT		ORIGINATED: SCALE: NTS		HU072	
				35 x 1 CORE		CHECKED: REE		APPROVED:	
						APPROVED: GRANT STACY		REV. A	
A	21.01.99	ORIGINAL ISSUE							
REV	DATE	DESCRIPTION	DRG.	CHKD.	APRD.				

CU	CU Description
-----------	-----------------------

HU72		SPURS straight joint – 35- 1 x 1 core			
ITEM NUMBER	STOCK CODE	DESCRIPTION	QTY RQD	UNIT OF MEASURE	REMARKS
1	FJ0409	joint kit 35mm	1	ea	
2	FT0011	earthing conductor	1	ea	



				COMPATIBLE UNIT			DISTRIBUTION DESIGN CATALOGUE			
				TITLE			DRAWN: JRR	DATE: 08-04-2014	DRG. No.	
				SPUDS TRANSFORMER BASE PIPE			ORIGINATED:	SCALE: NTS	HU075	
							CHECKED: REE			REV. B
							APPROVED:	GRANT STACY		SHT.
B	29.03.19	FOUNDATION SLAB ADDED		CO	NMc	GS				
A	21.01.99	ORIGINAL ISSUE								
REV	DATE	DESCRIPTION		ORGD.	CHKD.	APRD.				

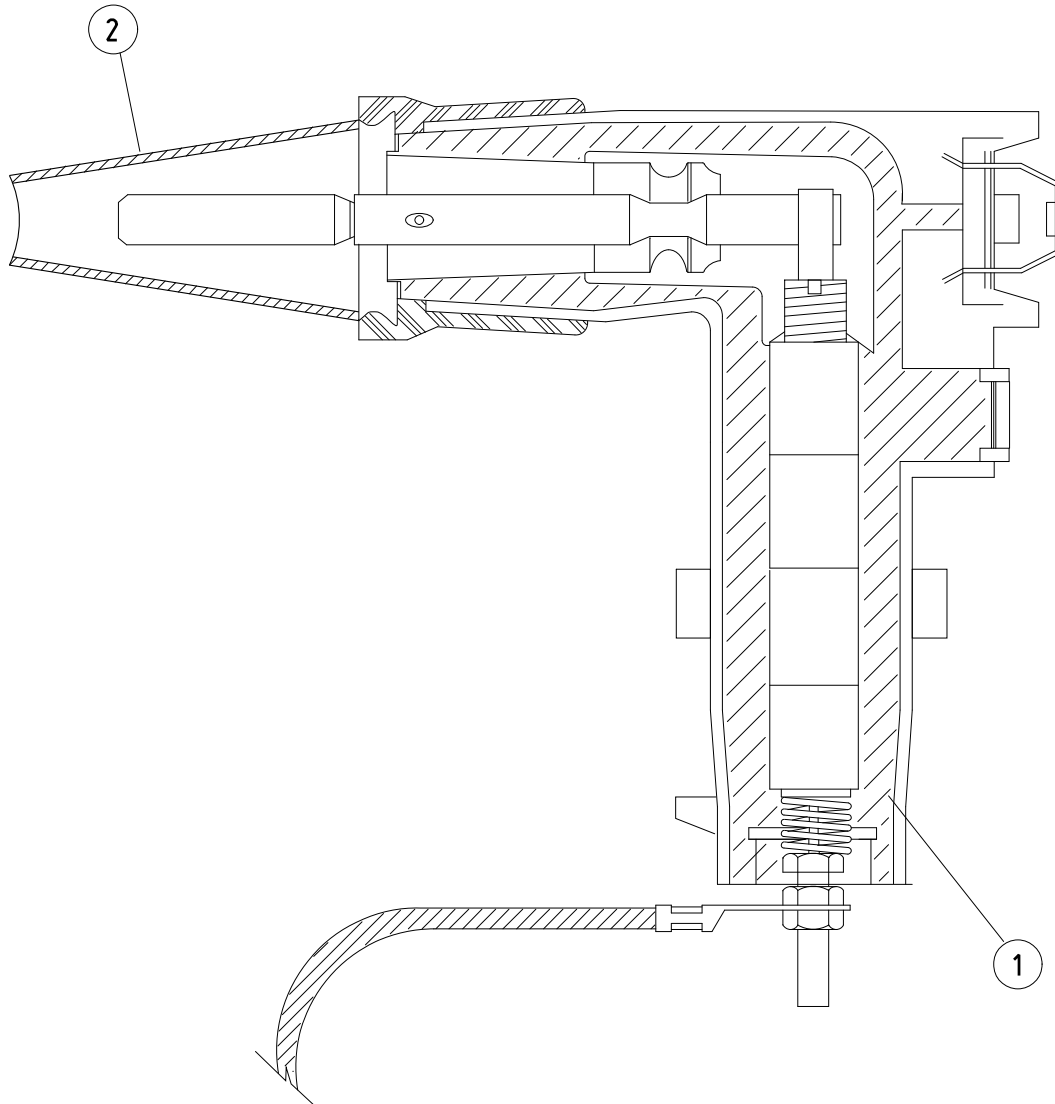


				COMPATIBLE UNIT		DISTRIBUTION DESIGN CATALOGUE		westernpower	
				TITLE		DRAWN: JRR	DATE: 08-04-2014	DRG. No.	
				NON MPS + MPS TRANSFORMER CULVERT AND BASE		ORIGINATED:	SCALE: NTS	HU076	
						CHECKED: REE			REV. A
						APPROVED: GRANT STACY			SHT.
REV	DATE	DESCRIPTION	ORGD	CHKD	APRD				
A	21.01.99	ORIGINAL ISSUE							

CU	CU Description
-----------	-----------------------

HU76_STD Non MPS & MPS tx culvert & base - Standard					
ITEM NUMBER	STOCK CODE	DESCRIPTION	QTY RQD	UNIT OF MEASURE	REMARKS
1	CA0002	Transformer concrete culvert	1	ea	

HU76_HWT Non MPS & MPS tx culvert & base – High Water Table					
ITEM NUMBER	STOCK CODE	DESCRIPTION	QTY RQD	UNIT OF MEASURE	REMARKS
1	CA0004	Transformer concrete culvert (long)	1	ea	

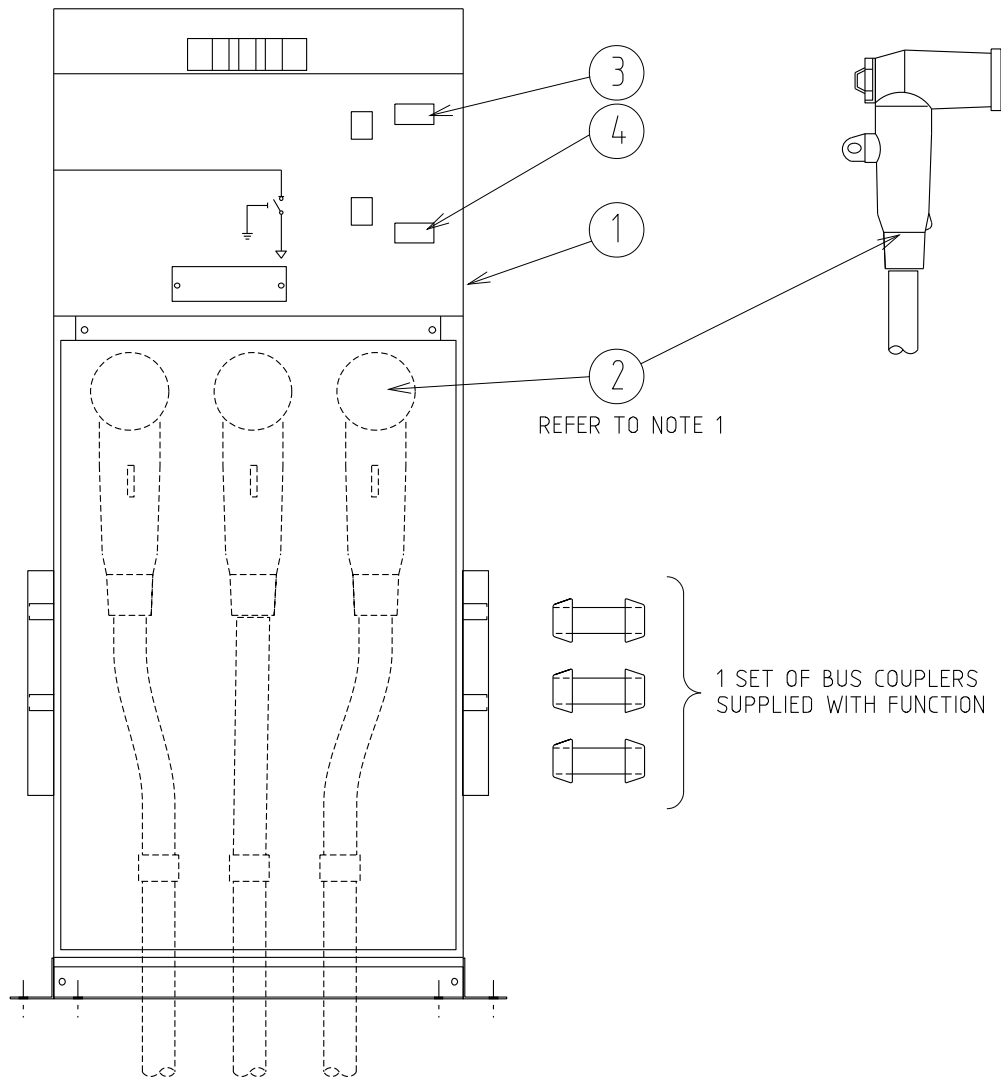


				COMPATIBLE UNIT		DISTRIBUTION DESIGN CATALOGUE			
				TITLE		DRAWN: JRR		DATE: 08-04-2014	
				SPUDS TRANSFORMER ARRESTER ELBOW		ORIGINATED:		SCALE: NTS	
						CHECKED: REE		DRG. No. HU077	
						APPROVED:		REV. B	
REV	DATE	DESCRIPTION	DRG.	CHKD.	APRD.	GRANT STACY		SHT.	
B	02.05.14	FORMAT CHANGED AND ITEM 2 ADDED			GS				
A	21.01.99	ORIGINAL ISSUE							

CU	CU Description
-----------	-----------------------

HU77	Spuds arrester elbow				
-------------	-----------------------------	--	--	--	--

ITEM NUMBER	STOCK CODE	DESCRIPTION	QTY RQD	UNIT OF MEASURE	REMARKS
1	GA3008	surge arrester plug in	1	ea	
2	FC0331	bushing insert loadbreak	1	ea	



REFER TO NOTE 1

1 SET OF BUS COUPLERS SUPPLIED WITH FUNCTION

THIS FUNCTION: DE-I (1+0)

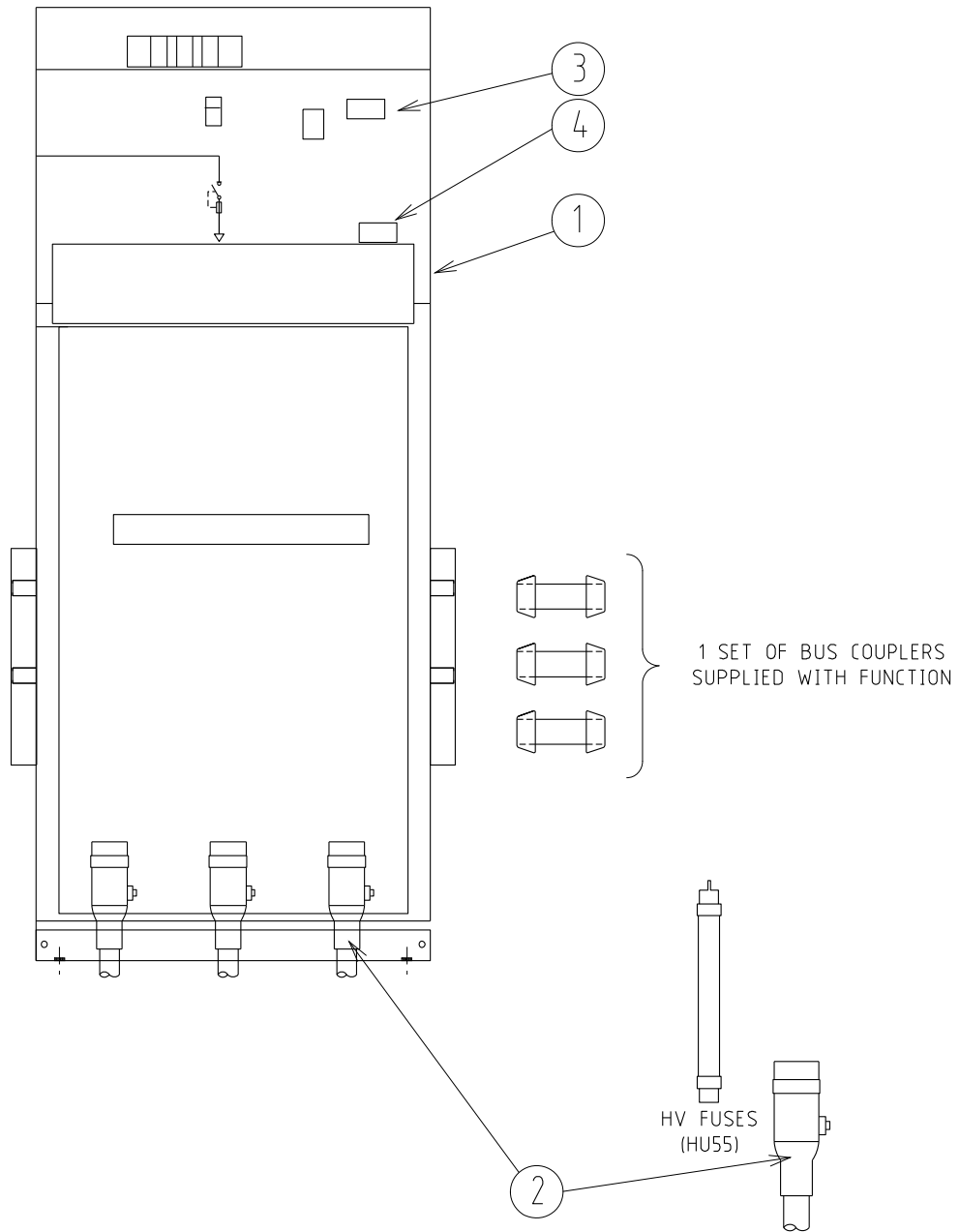
NOTE:-
 1. 22kV 400mm² ELBOW INCLUDED IN THE CU.
 FOR 22kV 185-240mm² ELBOW, ORDER STOCK CODE: FC0279

				COMPATIBLE UNIT		DISTRIBUTION DESIGN CATALOGUE			
				TITLE		DRAWN: JRR		DATE: 09-04-2014	
				SCHNEIDER RM6 SWITCHGEAR		ORIGINATED:		SCALE: NTS	
				1 + 0 DOUBLE EXTENSIBLE		CHECKED: REE		DRG. No.	
				SWITCH DISCONNECTOR		APPROVED: GRANT STACY		HU078	
REV	DATE	DESCRIPTION	ORGD.	CHKD.	APRD.			REV.	SHT.
B	09.10.17	NOTE 1 ADDED	JC	REE	GS			B	
A	13.01.09	ORIGINAL ISSUE							

CU	CU Description
-----------	-----------------------

HU78 Double extensible switch disconnecter (1+0), 22kV					
ITEM NUMBER	STOCK CODE	DESCRIPTION	QTY RQD	UNIT OF MEASURE	REMARKS
1	XA2627	RM6 DE Switch disconnecter, with extension kit	1	ea	With extension kit
2	FC0280	400mm ² elbow type termination kit	1	set	
3	OH0211	padlock	1	ea	
4	OH0194	padlock	1	ea	

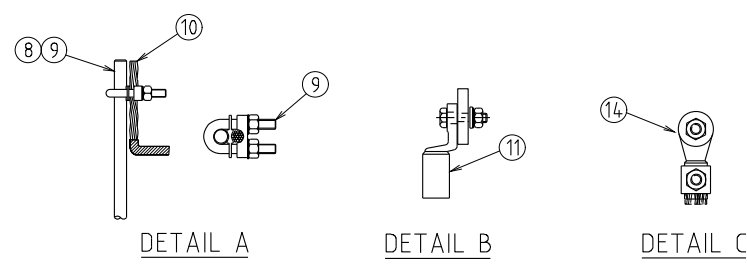
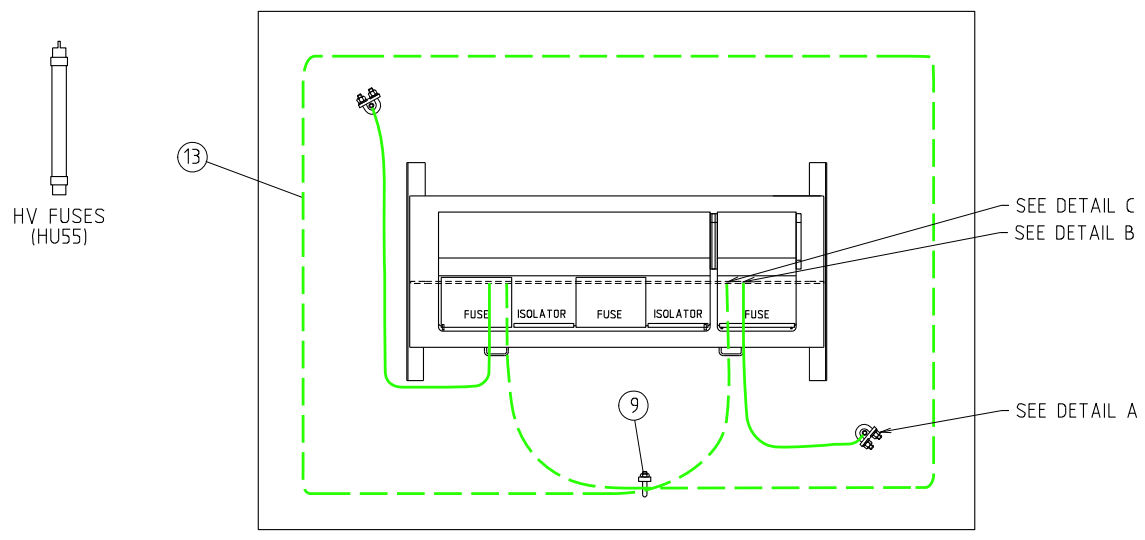
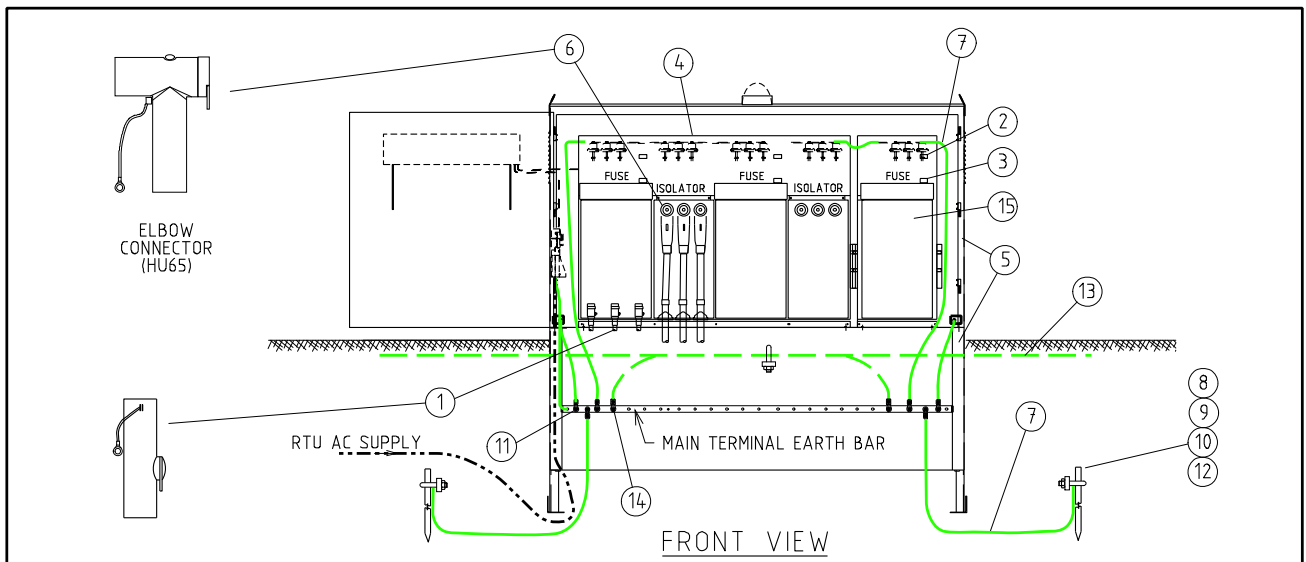
HU78_A Automatable, Double extensible switch disconnecter (1+0), 22kV					
ITEM NUMBER	STOCK CODE	DESCRIPTION	QTY RQD	UNIT OF MEASURE	REMARKS
1	XA2635	RM6 DE Switch disconnecter, motorised, with ext. kit	1	ea	With extension kit
2	FC0280	400mm ² elbow type termination kit	1	set	
3	OH0211	padlock	1	ea	
4	OH0194	padlock	1	ea	



THIS FUNCTION: DE-Q (0+1)

				COMPATIBLE UNIT		DISTRIBUTION DESIGN CATALOGUE		westernpower	
				TITLE		DRAWN: JRR		DATE: 09-06-2014	
				SCHNEIDER RM6 SWITCHGEAR		ORIGINATED:		SCALE: NTS	
				0 + 1 DOUBLE EXTENSIBLE		CHECKED: REE		DRG. No.	
				FUSE SWITCH		APPROVED:		HU079	
A	13.01.09	ORIGINAL ISSUE				GRANT STACY		REV.	SHT.
REV	DATE	DESCRIPTION	ORGD.	CHKD.	APRD.			B	

CU	CU Description				
HU79 Double extensible fuse switch (0+1), 22kV					
ITEM NUMBER	STOCK CODE	DESCRIPTION	QTY RQD	UNIT OF MEASURE	REMARKS
1	XA2628	RM6 DE Fuse switch, with extension kit	1	ea	With extension kit
2	FC0317	Straight Connector 35 mm ²	1	set	
3	OH0211	padlock	1	ea	
4	OH0194	padlock	1	ea	



NOTES:-
 1. ORDER CE0116 FOR HARD SOIL.
 2. 400mm² ELBOW SUPPLIED BY DEFAULT.
 REFER TO HU65 FOR 185-240mm² ELBOW CUs.
 DESIGNER TO REMOVE FC0280 IF NOT USING 400mm² CABLE.

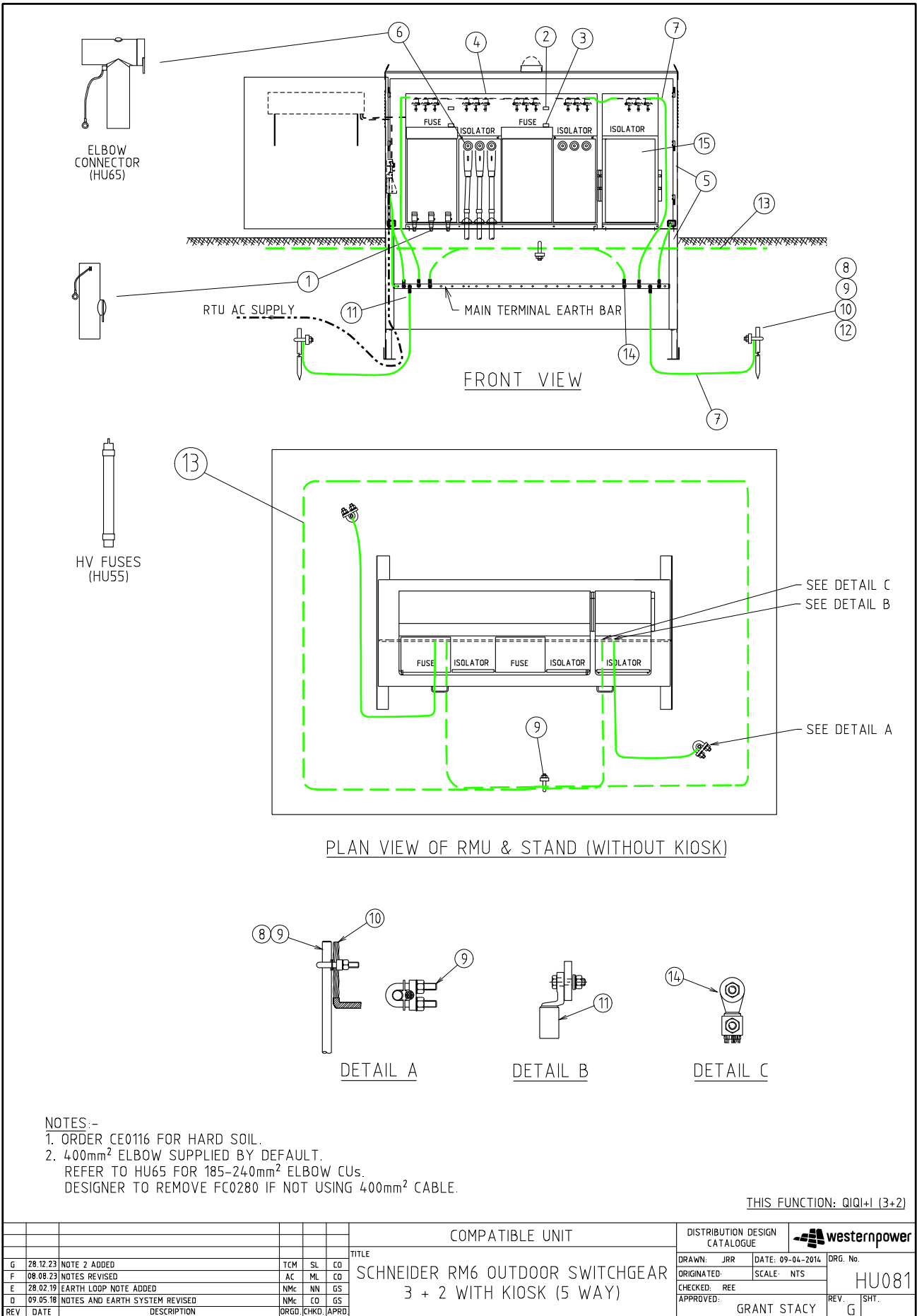
THIS FUNCTION: QIQI+Q (2+3)

			COMPATIBLE UNIT			DISTRIBUTION DESIGN CATALOGUE		westernpower	
H	29.12.23	NOTE 2 ADDED	TCM	SL	CO	DRAWN: JRR	DATE: 14-04-2014	DRG. No.	
G	08.08.23	NOTES REVISED	AC	ML	CO	ORIGINATED:	SCALE: NTS		HU080
F	28.02.19	EARTH LOOP NOTE ADDED	NMc	NN	GS	CHECKED: REE			
E	09.05.18	NOTES AND EARTH SYSTEM REVISED	NMc	CO	GS	APPROVED:			
REV	DATE	DESCRIPTION	DRGD.	CHKD.	APPRD.		GRANT STACY	REV. H	ISHT.

CU	CU Description
----	----------------

HU80_M400 Manual, Switchgear Kiosk 2+3 RE – 400mm² cable, 22kV					
ITEM NUMBER	STOCK CODE	DESCRIPTION	QTY RQD	UNIT OF MEASURE	REMARKS
1	FC0317	Straight Connector 35 mm ²	3	set	
2	OH0211	padlock	5	ea	
3	OH0194	padlock	6	ea	
4	XA2625	RM6 Switchgear 2+3	1	ea	
5	XA2651	cabinet & stand	1	ea	
6	FC0280	Elbow Connector, 400 mm ²	2	set	See Note 2
7	EE1264	conductor 70mm ² PVC insulated copper green/yellow	10	mr	
8	CE0135	earth rod	12	ea	
9	CE0058	earth clamp	3	ea	
10	CE0078	earth coupling	10	ea	
11	FL1465	earthing lug	6	ea	
12	CE0116	driving point for earth rods	0	ea	See Note 1
13	EM0014	conductor 70mm ² bare copper clad steel	1	coil	30m
14	FL0144	Bolted Q-lug	2	ea	

HU80_A400 Automatable, Switchgear Kiosk 2+3 RE – 400mm² cable, 22kV					
ITEM NUMBER	STOCK CODE	DESCRIPTION	QTY RQD	UNIT OF MEASURE	REMARKS
1	FC0317	Straight Connector 35 mm ²	3	set	
2	OH0211	padlock	5	ea	
3	OH0194	padlock	6	ea	
4	XA2634	RM6 RE Switchgear 2+2, motorised	1	ea	
5	XA2651	5-way cabinet & stand	1	ea	
6	FC0280	Elbow Connector, 400 mm ²	2	set	See Note 2. For 2 x SW/DC
7	EE1264	conductor 70mm ² PVC insulated copper green/yellow	10	mr	
8	CE0135	earth rod	12	ea	
9	CE0058	earth clamp	3	ea	
10	CE0078	earth coupling	10	ea	
11	FL1465	earthing lug	6	ea	
12	CE0116	driving point for earth rods	0	ea	See Note 1
13	EM0014	conductor 70mm ² bare copper clad steel	1	coil	30m
14	FL0144	Bolted Q-lug	2	ea	
15	XA2628	RM6 DE Switchgear 0+1, with extension kit	1	ea	Extension kit included

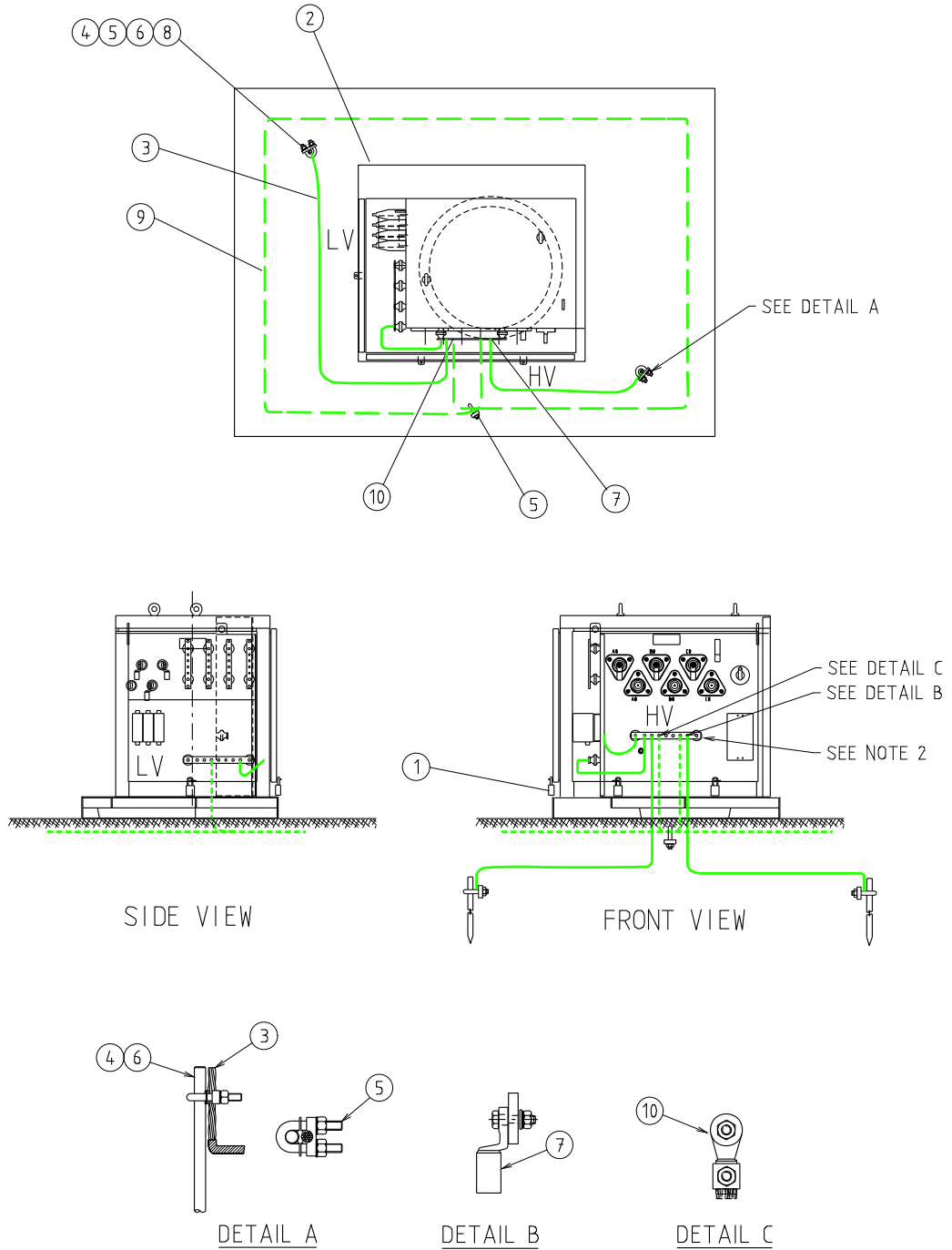


				COMPATIBLE UNIT			DISTRIBUTION DESIGN CATALOGUE		westernpower	
G	28.12.23	NOTE 2 ADDED		TCM	SL	CO	DRAWN: JRR	DATE: 09-04-2014	DRG. No.	
F	08.08.23	NOTES REVISED		AC	ML	CO	ORIGINATED:	SCALE: NTS	HU081	
E	28.02.19	EARTH LOQP NOTE ADDED		NMc	NN	GS	CHECKED: REE	APPROVED:		
D	09.05.18	NOTES AND EARTH SYSTEM REVISED		NMc	CO	GS	GRANT STACY	REV. G		
REV	DATE	DESCRIPTION		DRGD.	CHKD.	APRD.				

CU	CU Description
----	----------------

HU81_M400 Manual, Switchgear Kiosk 3+2 RE – 400mm ² cable, 22kV					
ITEM NUMBER	STOCK CODE	DESCRIPTION	QTY RQD	UNIT OF MEASURE	REMARKS
1	FC0317	Straight Connector 35 mm ²	2	set	
2	OH0211	Padlock	5	ea	
3	OH0194	Padlock	6	ea	
4	XA2626	RM6 Switchgear 3+2	1	ea	
5	XA2651	cabinet & stand	1	ea	
6	FC0280	Elbow Connector, 400 mm ²	3	set	See Note 2
7	EE1264	conductor 70mm ² PVC insulated copper green/yellow	10	mr	
8	CE0135	earth rod	12	ea	
9	CE0058	earth clamp	3	ea	
10	CE0078	earth coupling	10	ea	
11	FL1465	earthing lug	6	ea	
12	CE0116	driving point for earth rods	0	ea	See Note 1
13	EM0014	conductor 70mm ² bare copper clad steel	1	coil	30m
14	FL0144	Bolted Q-lug	2	ea	

HU81_A400 Automatable, Switchgear Kiosk 3+2 RE - 400mm ² cable, 22kV					
ITEM NUMBER	STOCK CODE	DESCRIPTION	QTY RQD	UNIT OF MEASURE	REMARKS
1	FC0317	Straight Connector 35 mm ²	2	set	
2	OH0211	padlock	5	ea	
3	OH0194	padlock	6	ea	
4	XA2634	RM6 RE Switchgear 2+2, motorised	1	ea	
5	XA2651	5-way cabinet & stand	1	ea	
6	FC0280	Elbow Connector, 400 mm ²	3	set	See Note 2
7	EE1264	conductor 70mm ² PVC insulated copper green/yellow	10	mr	
8	CE0135	earth rod	12	ea	
9	CE0058	earth clamp	3	ea	
10	CE0078	earth coupling	10	ea	
11	FL1465	earthing lug	6	ea	
12	CE0116	driving point for earth rods	0	ea	See Note 1
13	EM0014	conductor 70mm ² bare copper clad steel	1	coil	30m
14	FL0144	Bolted Q-lug	2	ea	
15	XA2635	RM6 DE Switchgear 1+0, motorised, with extension kit	1	ea	Extension kit included



NOTES:-

1. ORDER CE0116 FOR HARD SOIL.
2. IF REQUIRED, CONNECT HV CABLE SCREENS BACK TO BACK ON EARTH BAR. GRADING RING & EARTH LUGS NOT TO BE CONNECTED BACK TO BACK.

				COMPATIBLE UNIT				DISTRIBUTION DESIGN CATALOGUE					
				TITLE				DRAWN: JRR		DATE: 09-04-2014		DRG. No.	
				63kVA TRANSFORMER				ORIGINATED:		SCALE: NTS		HU082	
				THREE PHASE 6 BUSHING				CHECKED: REE		APPROVED:			
								APPROVED: GRANT STACY		REV. C		SHT.	
C	08.08.23	NOTES EDITED		AC	ML	CO	GS						
B	16.05.18	EARTHING SYSTEM MODIFIED		NMc	CO	GS							
A	08.08.01	ORIGINAL ISSUE											
REV	DATE	DESCRIPTION		ORGD.	CHKD.	APPROD.							

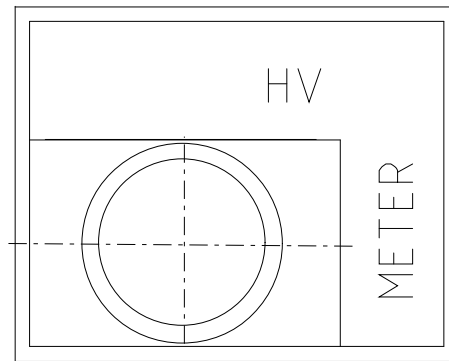
CU	CU Description
----	----------------

HU82_63/11 (New) Tx 63kVA/6-11kV3ph 6 bushing					
ITEM NUMBER	STOCK CODE	DESCRIPTION	QTY RQD	UNIT OF MEASURE	REMARKS
1	OH0194	Padlock	3	ea	
2	XA2440	63 kVA transformer	1	ea	
3	EE1264	conductor 70mm ² PVC insulated copper green/yellow	5	mr	
4	CE0135	earth rod	12	ea	
5	CE0058	earth clamp	3	ea	
6	CE0078	earth coupling	10	ea	
7	FL1465	earthing lug	4	ea	
7	FL1442	earth lug	20	ea	
8	CE0116	earth driving point	0	ea	
9	EM0014	conductor 70mm ² bare copper clad steel	1	coil	30m
10	FL0144	Bolted Q-lug	2	ea	

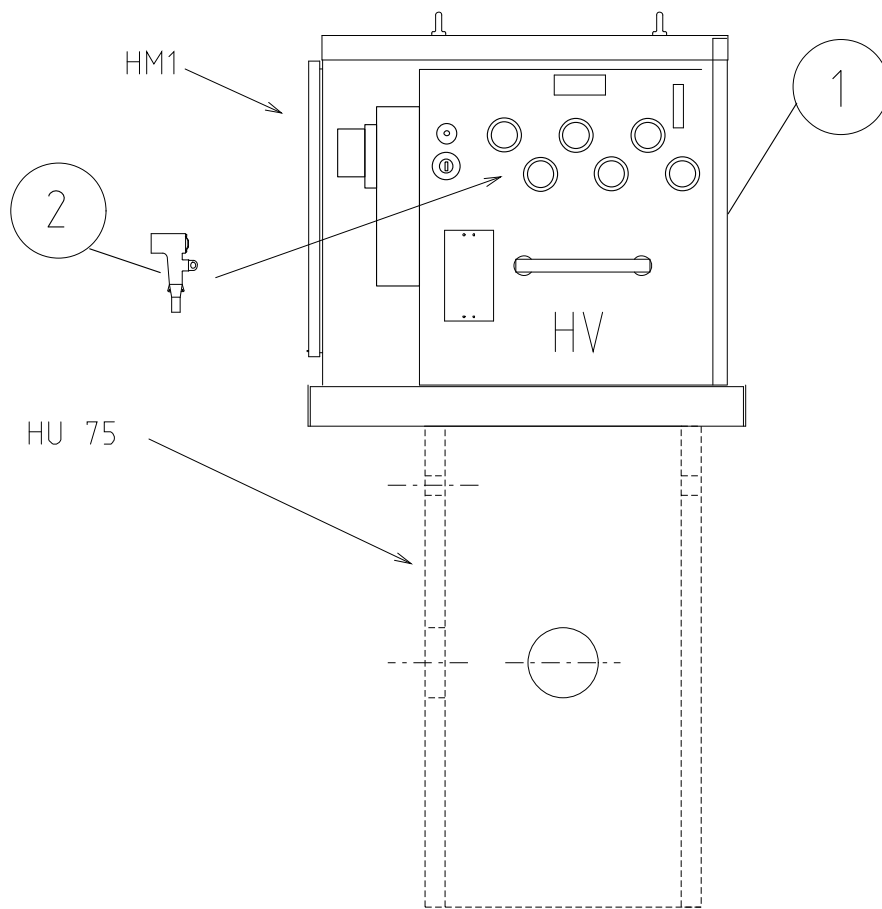
HU82_63/22 (New) Tx 63kVA/22kV3ph 6 bushing					
ITEM NUMBER	STOCK CODE	DESCRIPTION	QTY RQD	UNIT OF MEASURE	REMARKS
1	OH0194	Padlock	3	ea	
2	XA2441	63 kVA transformer	1	ea	
3	EE1264	conductor 70mm ² PVC insulated copper green/yellow	5	mr	
4	CE0135	earth rod	12	ea	
5	CE0058	earth clamp	3	ea	
6	CE0078	earth coupling	10	ea	
7	FL1465	earthing lug	4	ea	
7	FL1442	earth lug	20	ea	
8	CE0116	driving point for earth rods	0	ea	See Note 1
9	EM0014	conductor 70mm ² bare copper clad steel	1	coil	30m
10	FL0144	Bolted Q-lug	2	ea	

CU	CU Description
-----------	-----------------------

HU82_63/33 (New) Tx 63kVA/33kV3ph 6 bushing					
ITEM NUMBER	STOCK CODE	DESCRIPTION	QTY RQD	UNIT OF MEASURE	REMARKS
1	OH0194	padlock	3	ea	
2	XA2442	63 kVA transformer	1	ea	
3	EE1264	conductor 70mm ² PVC insulated copper green/yellow	5	mr	
4	CE0135	earth rod	12	ea	
5	CE0058	earth clamp	3	ea	
6	CE0078	earth coupling	10	ea	
7	FL1465	earthing lug	4	ea	
7	FL1442	earth lug	20	ea	
8	CE0116	driving point for earth rods	0	ea	See Note 1
9	EM0014	conductor 70mm ² bare copper clad steel	1	coil	30m
10	FL0144	Bolted Q-lug	2	ea	



TOP VIEW



SIDE VIEW

				COMPATIBLE UNIT		DISTRIBUTION DESIGN CATALOGUE			
				TITLE		DRAWN: JRR DATE: 09-04-2014 DRG. No.		HU84	
				HV METER UNIT		ORIGINATED: SCALE: NTS			
						CHECKED: REE		REV. B	
						APPROVED: GRANT STACY		SHT.	
B	01.11.16	FORMAT CHANGED		JC	REE	GS			
A	22.04.02	ORIGINAL ISSUE							
REV	DATE	DESCRIPTION		ORGD.	CHKD.	APRD			

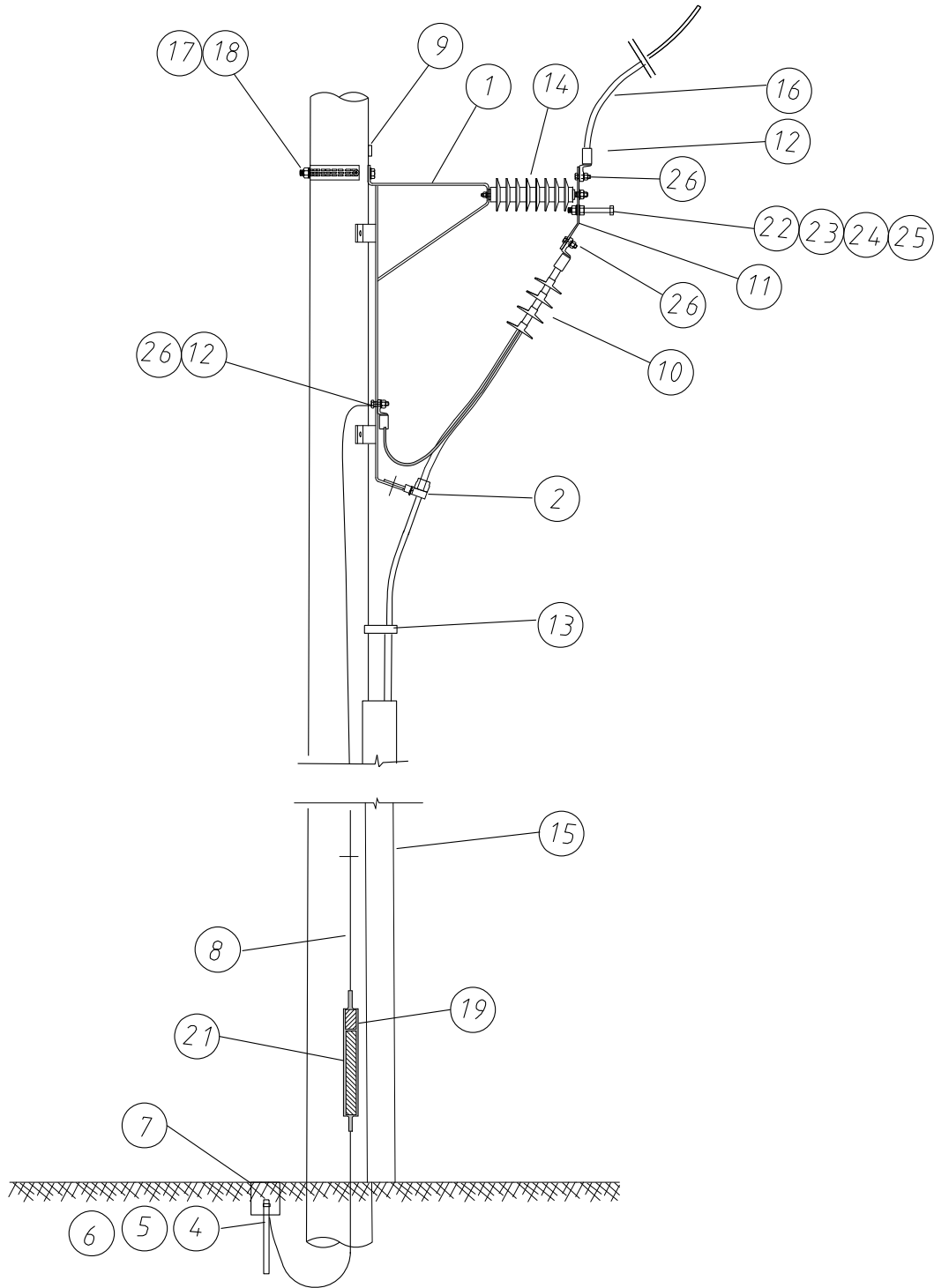
CU	CU Description
-----------	-----------------------

HU84_11/400M	11kV groundmount metering – 400mm² cable – Metro
---------------------	--

ITEM NUMBER	STOCK CODE	DESCRIPTION	QTY RQD	UNIT OF MEASURE	REMARKS
1	XA2427	11kV Metering unit	1	ea	
2	FC0280	Elbow 400mm ²	2	set	

HU84_22/400M	22kV groundmount metering – 400mm² cable – Metro
---------------------	--

ITEM NUMBER	STOCK CODE	DESCRIPTION	QTY RQD	UNIT OF MEASURE	REMARKS
1	XA2430	22kV Metering unit	1	ea	
2	FC0280	Elbow 400mm ²	2	set	



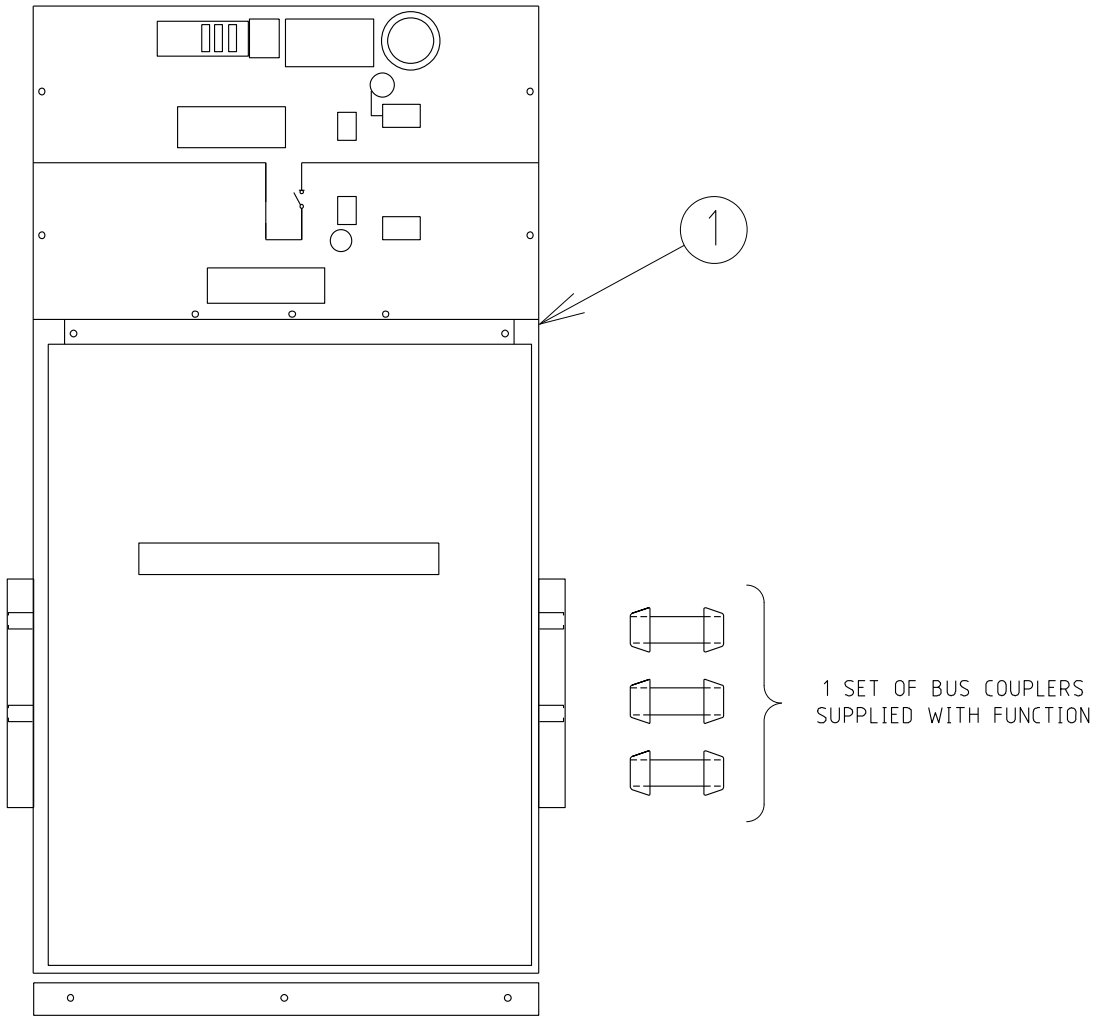
* IF CABLE TERMINATION DESIGNS TO BE INSTALLED ON THE SAME SIDE AS THE POLE TOP SWITCH ACTUATOR ROD, ORDER TWO OF THE POLE TOP SWITCH CABLE TERMINATION EXTENSION BRACKETS (CB3027).

REV	DATE	DESCRIPTION	DRG.	CHKD.	APRD.	TITLE	DISTRIBUTION DESIGN CATALOGUE	westernpower	DRG. No.		
D	31.10.22	EARTH PARKING ROD ADDED	CO	NMc	GS	CABLE POLE TERMINATION TERMINATION 50mm ² - 1 x 1 CORE	DRAWN: JRR	DATE: 09-04-2014	HU085		
C	19.12.17	EARTHING SYSTEM MODIFIED	GG	JC	GS		ORIGINATED:	SCALE: NTS			
B	12.04.16	NOTE AND ITEM 17&18 ADDED	JC	REE	GS		CHECKED: REE				
A	30.03.06	ORIGINAL ISSUE					APPROVED:	GRANT STACY		REV. D	SHT.

CU	CU Description
----	----------------

HU85_O Aerial cable termination–50-1 x 1c 33kV					
ITEM NUMBER	STOCK CODE	DESCRIPTION	QTY RQD	UNIT OF MEASURE	REMARKS
4	CE0058	earth clamp	1	ea	
5	CE0078	earth coupling	3	ea	
6	CE0135	earth rod	4	ea	
7	CE0201	terminal box	1	ea	
8	FM0915	earth kit	1	ea	
9	CZ5007	phase indicator disc	1	ea	
12	FL0401	Llug 95 ABC	2	ea	
13	CB3120	cable saddle	3	ea	
13	AS1441	coach screw	6	ea	
15	HT6320	cable protector	1	ea	
16	FT0095	95 ABC 4m long	1	ea	
17	AB6732	Pole Bolt	1	ea	
18	CE7541	Dispersion Plate	1	ea	
19	CJ0498	Stalk lug 95 Cu	1	ea	
21	FE0055	Heatshrink	1	ea	

HU85_U Cable frame termination–50-1 x 1c 33kV					
ITEM NUMBER	STOCK CODE	DESCRIPTION	QTY RQD	UNIT OF MEASURE	REMARKS
1	CB3017	cable term bracket	1	ea	
2	CB3108	cable clamp 35/95	1	ea	
10	FJ0157	cable termination kit	1	ea	
11	GF1592	connector plate	1	ea	
14	GA4003	surge arrester	1	ea	
22	AB6739	M12 bolt 120mm long	1	ea	
23	AW2429	M12 Spring lock washer	4	ea	
24	AW2607	M12 Flat washer	8	ea	
25	AN1495	M12 hex plain nut	5	ea	
26	AB2959	M12 40mm bolt	3	ea	



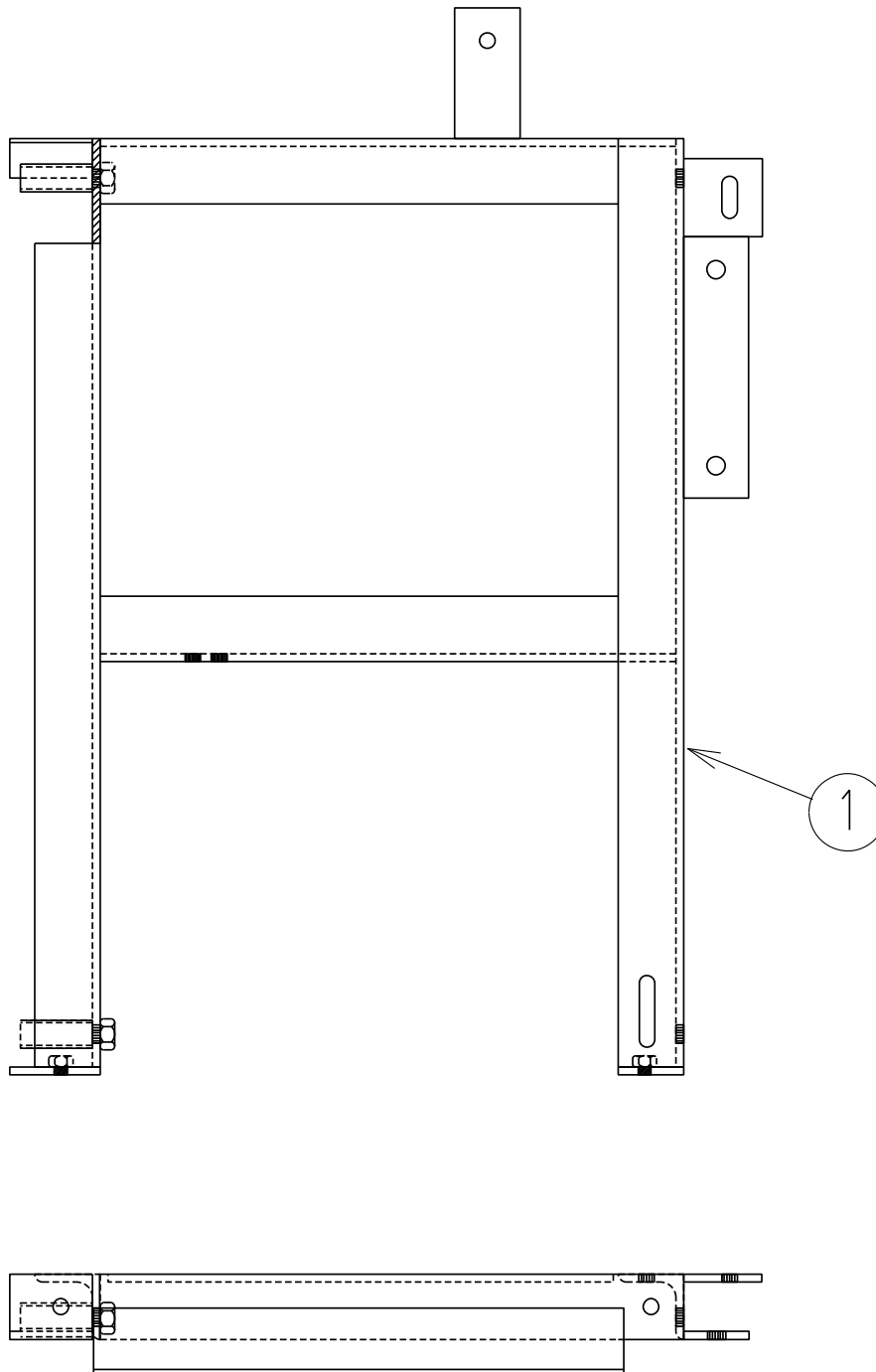
THIS FUNCTION: DE-IC

				COMPATIBLE UNIT		DISTRIBUTION DESIGN CATALOGUE			
				SCHNEIDER RM6 INDOOR SWITCHGEAR		DRAWN: JRR DATE: 09-04-2014		DRG. No.	
				DOUBLE EXTENSIBLE		ORIGINATED: SCALE: NTS		HU086	
				BUS-SWITCH DISCONNECTOR		CHECKED: REE		REV. A	
						APPROVED: GRANT STACY		SHT.	
A		13.01.09		ORIGINAL ISSUE					
REV	DATE	DESCRIPTION	ORGD.	CHKD.	APRD.				

CU	CU Description
-----------	-----------------------

HU86	Indoor Bus-section double extensible switch disconnecter, 22kV,				
-------------	--	--	--	--	--

ITEM NUMBER	STOCK CODE	DESCRIPTION	QTY RQD	UNIT OF MEASURE	REMARKS
1	XA2629	RM6 DE Bus section Switch disconnecter	1	ea	RM6 DE-IC



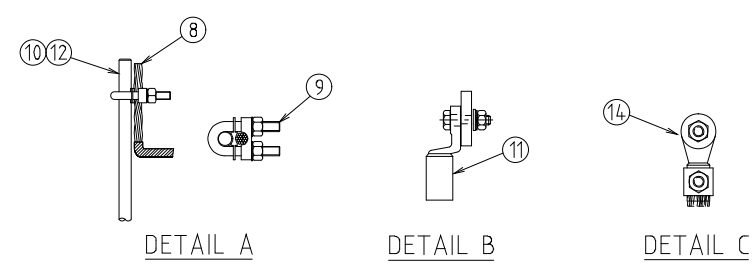
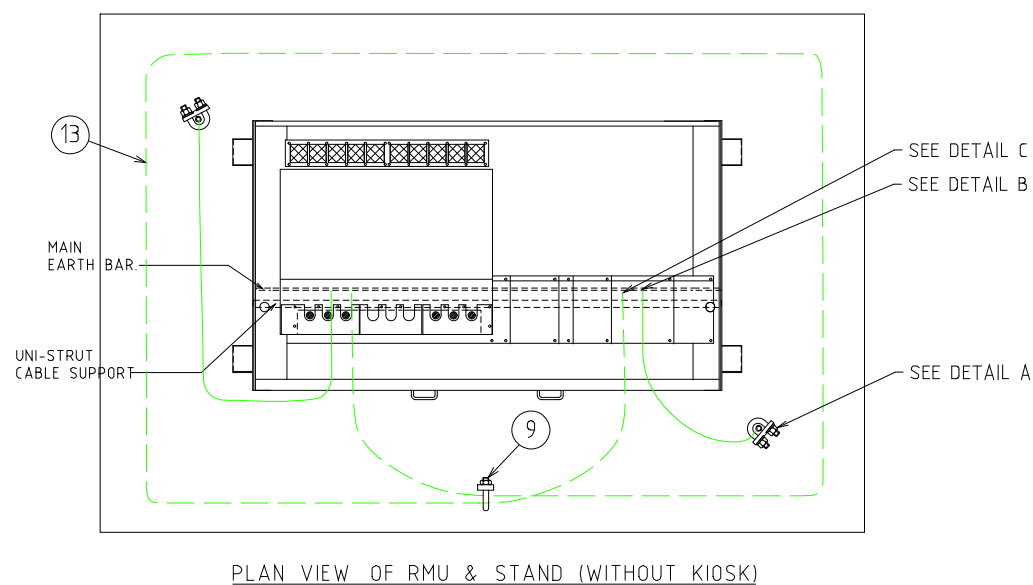
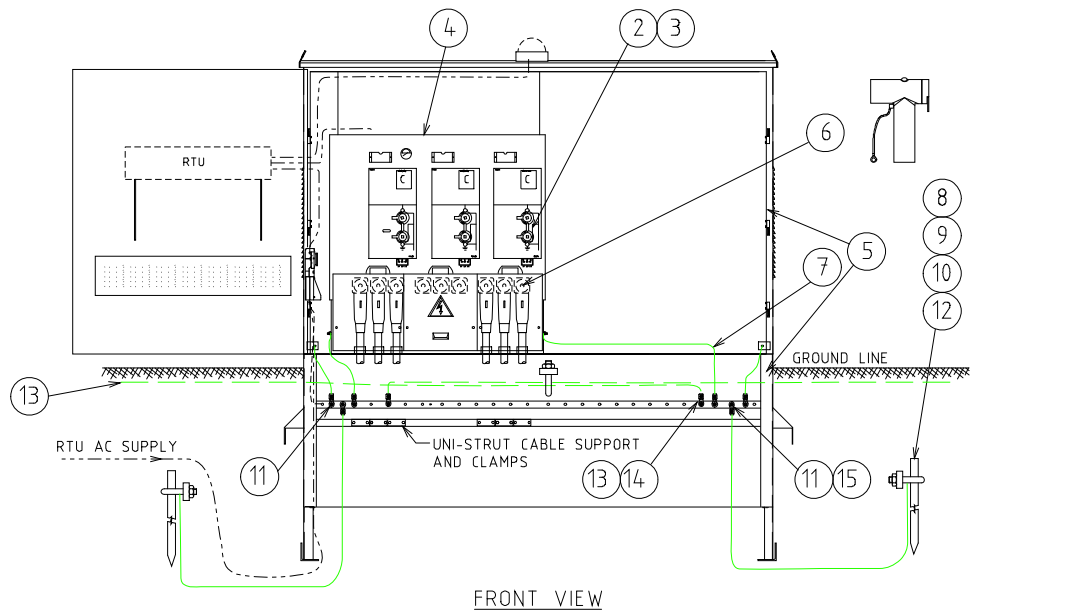
(REFER DSM 6-08:
DRG: L08-004 FOR DETAILS)

				COMPATIBLE UNIT		DISTRIBUTION DESIGN CATALOGUE			
				TITLE SCHNEIDER EXTENSIBLE RM6 INDOOR BASE FRAME (1 WAY DOUBLE EXTENSIBLE)		DRAWN: JRR		DATE: 09-04-2014	
						ORIGINATED:		SCALE: NTS	
						CHECKED: REE			
						APPROVED: GRANT STACY		REV. A	
								SHT.	
A	13.01.09	ORIGINAL ISSUE		ORGO.	CHKD.	APROD.			
REV	DATE	DESCRIPTION							

CU	CU Description
-----------	-----------------------

HU87	Indoor Base frame, 1-way double extensible				
-------------	---	--	--	--	--

ITEM NUMBER	STOCK CODE	DESCRIPTION	QTY RQD	UNIT OF MEASURE	REMARKS
1	CB0463	RM6 Base frame 1-way double ext, Indoor	1	ea	Suit RM6 double ext. switch disconnecter (DE-I) or fuse switch (DE-Q)



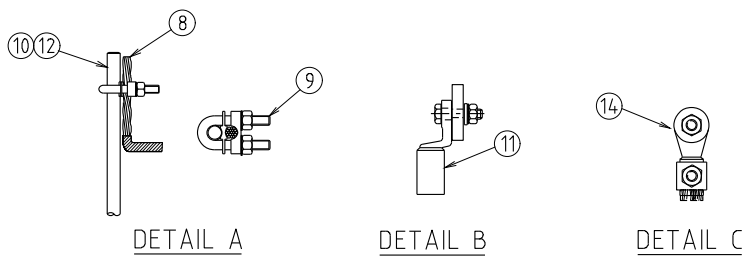
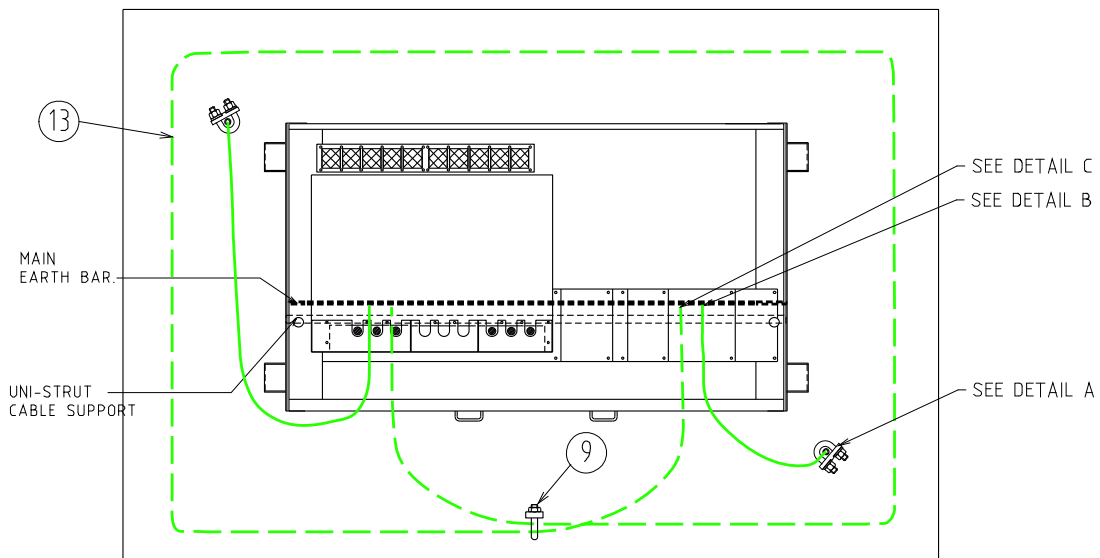
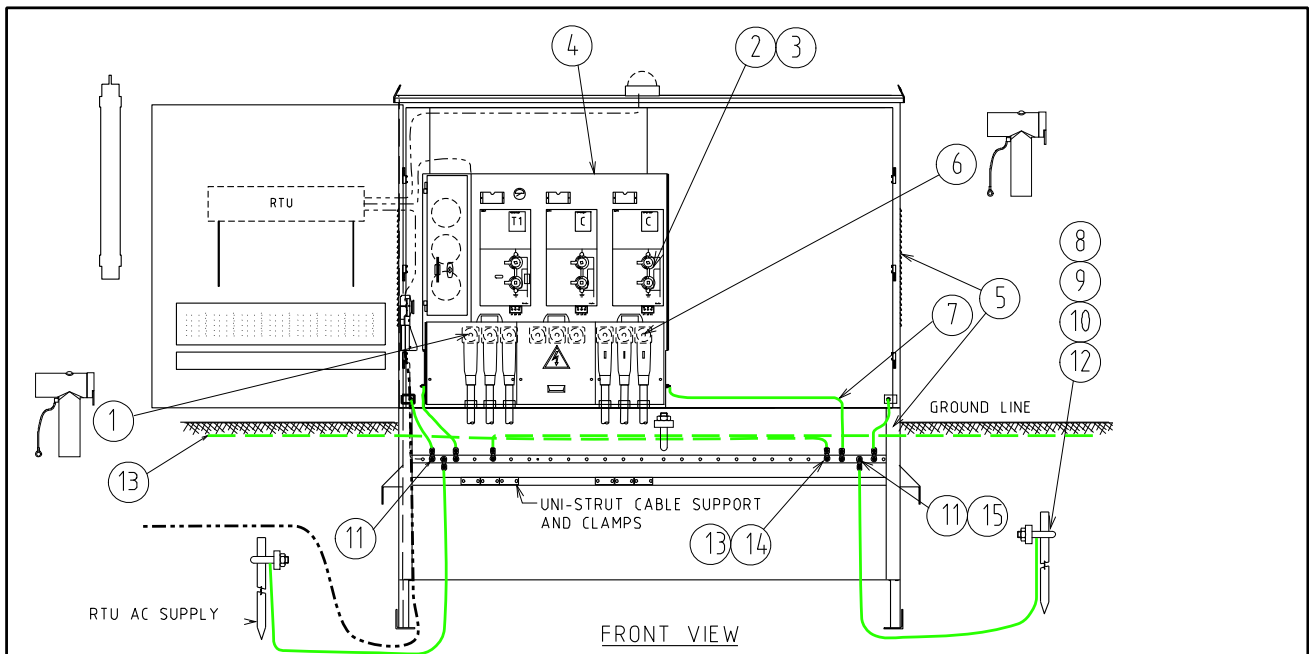
NOTES:-
1. ORDER CE0116 FOR HARD SOIL.

THIS FUNCTION: C-C-C

				COMPATIBLE UNIT			DISTRIBUTION DESIGN CATALOGUE			
				FLUSARC 33kV RMU 3+0 MOTORISED WITH 5 WAY UNIVERSAL KIOSK AND SUPPORT STAND			DRAWN: JRR DATE: 09-04-2014 DRG. No.		HU100	
							ORIGINATED: SCALE: NTS			
							CHECKED: REE		REV. SHT.	
							APPROVED: GRANT STACY			
REV	DATE	DESCRIPTION	DRG.	CHKD.	APPR.					

CU	CU Description
-----------	-----------------------

HU100_33		Automatable, Flusarc switchgear Kiosk 3+0 – 185-240 mm² cable, 33kV			
ITEM NUMBER	STOCK CODE	DESCRIPTION	QTY RQD	UNIT OF MEASURE	REMARKS
2	OH0211	Padlock -1-1/2IN brass case & steel shackle	3	ea	
3	OH0194	Padlock - New restricted profile mast	4	ea	
4	XA2715	Flusarc 3+0 RMU-33kV, 630A, 16KA/1s, non-ext, motorised	1	ea	RMU supplied complete with 3x10m control cables, 3x10m CT cables, 9xCTs and operating handle
5	XA2711	Flusarc 5-wayU Kiosk – Aluminuim, painted	1	ea	
6	FC1018	Elbow Connector, 185-240 mm ² , 36kV, 630A	3	set	
7		Insul wire, elect 70mm ² Cu cond (19/2.14); stranded	5	mr	Supplied with Kiosk & stand
8	CE0135	Rod section, ground-copper clad;1.4m	12	ea	
9	CE0058	Clamp, elect-double saddle type; earth	3	ea	
10	CE0078	Coupling, tube-Alm No CCT15	10	ea	
11	FL1465	Terminal, lug- crimp; eye; 70 mm ² cable	6	ea	
12	CE0116	Driving point for earth rods	0	ea	See note, order separately if required
13	EM0014	Conductor 70mm ² bare copper clad steel	1	coil	30m
14	FL0144	Bolted Q-lug	2	ea	
15	EE1264	Conductor 70mm ² PVC Insulated Copper Green/yellow	10	m	



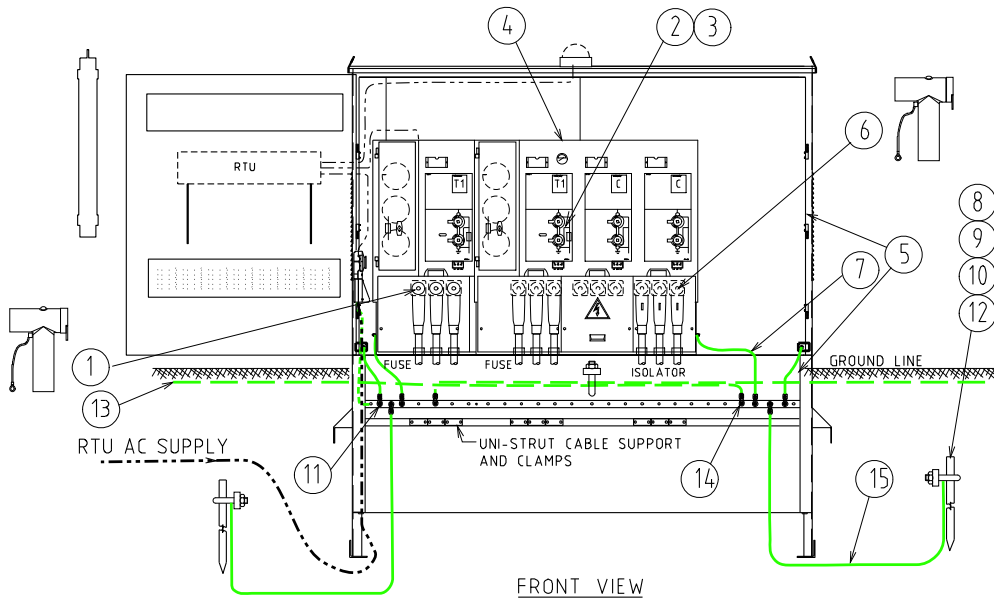
NOTES:-
1. ORDER CE0116 FOR HARD SOIL.

THIS FUNCTION: T1-C-C

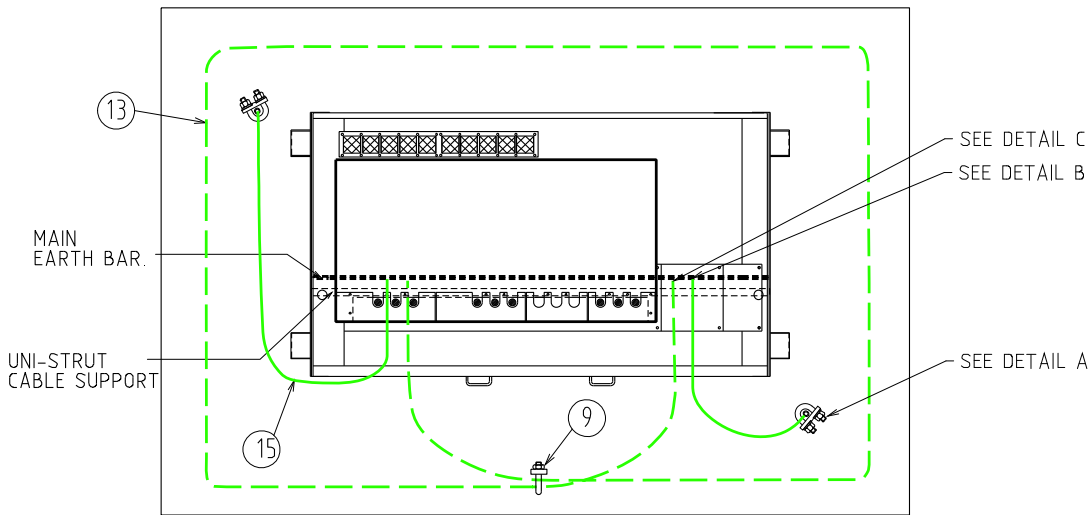
				COMPATIBLE UNIT			DISTRIBUTION DESIGN CATALOGUE			
D	11.08.23	NOTES REVISED		AC	ML	CD	DRAWN: JRR	DATE: 09-04-2014	DRG. No.	
C	28.02.19	EARTH LOOP NOTE ADDED		NMc	NN	GS	ORIGINATED:	SCALE: NTS	HU101	
B	16.05.18	EARTHING SYSTEM REVISED		NMc	CO	GS	CHECKED: REE			
A	22.12.11	ORIGINAL ISSUE					APPROVED:	GRANT STACY	REV. D	SHT.
REV	DATE	DESCRIPTION		ORGO.	CHKD.	APPRO.				

FLUSARC 33kV RMU 2+1 MOTORISED
WITH 5 WAY UNIVERSAL KIOSK
AND SUPPORT STAND

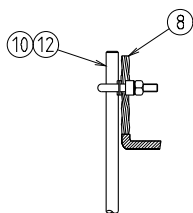
CU		CU Description			
HU101_33		Automatable, Flusarc switchgear Kiosk 2+1 – 185-240 mm² cable, 33kV			
ITEM NUMBER	STOCK CODE	DESCRIPTION	QTY RQD	UNIT OF MEASURE	REMARKS
1	FC1019	Elbow Connector, 50-95 mm ² , 36kV	1	set	
2	OH0211	Padlock-1-1/2IN brass case & steel shackle	3	ea	
3	OH0194	Padlock-New restricted profile mast	4	ea	
4	XA2716	Flusarc 2+1 RMU-36kV, 630A, 16KA/1s;non ext, motorised	1	ea	RMU supplied complete with 2x10m control cables, 2x10m CT cables, 6xCTs, operating handle and fuse changing handle
5	XA2711	Flusarc 5-wayU Kiosk – Aluminuim, painted	1	ea	
6	FC1018	Elbow Connector, 185-240 mm ² , 36kV, 630A	2	set	
7		Insul wire, 70mm ² Cu cond (19/2.14); stra	5	mr	Supplied with Kiosk and stand
8	CE0135	Rod section, ground-copper clad;1.4m	12	ea	
9	CE0058	Clamp, elect-double saddle type; earth	3	ea	
10	CE0078	Coupling, tube-Alm No CCT15	10	ea	
11	FL1465	Terminal, lug- crimp; eye; 70 mm ² cable	6	ea	
12	CE0116	Ddriving point for earth rods	0	ea	See note, order separately if required
13	EM0014	Conductor 70mm ² bare copper clad steel	1	coil	30m
14	FL0144	Bolted Q-lug	2	ea	
15	EE1264	Conductor 70mm ² PVC Insulated Copper Green/yellow	10	m	



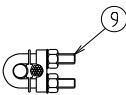
FRONT VIEW



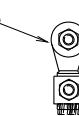
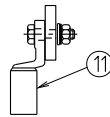
PLAN VIEW OF RMU & STAND (WITHOUT KIOSK)



DETAIL A



DETAIL B



DETAIL C

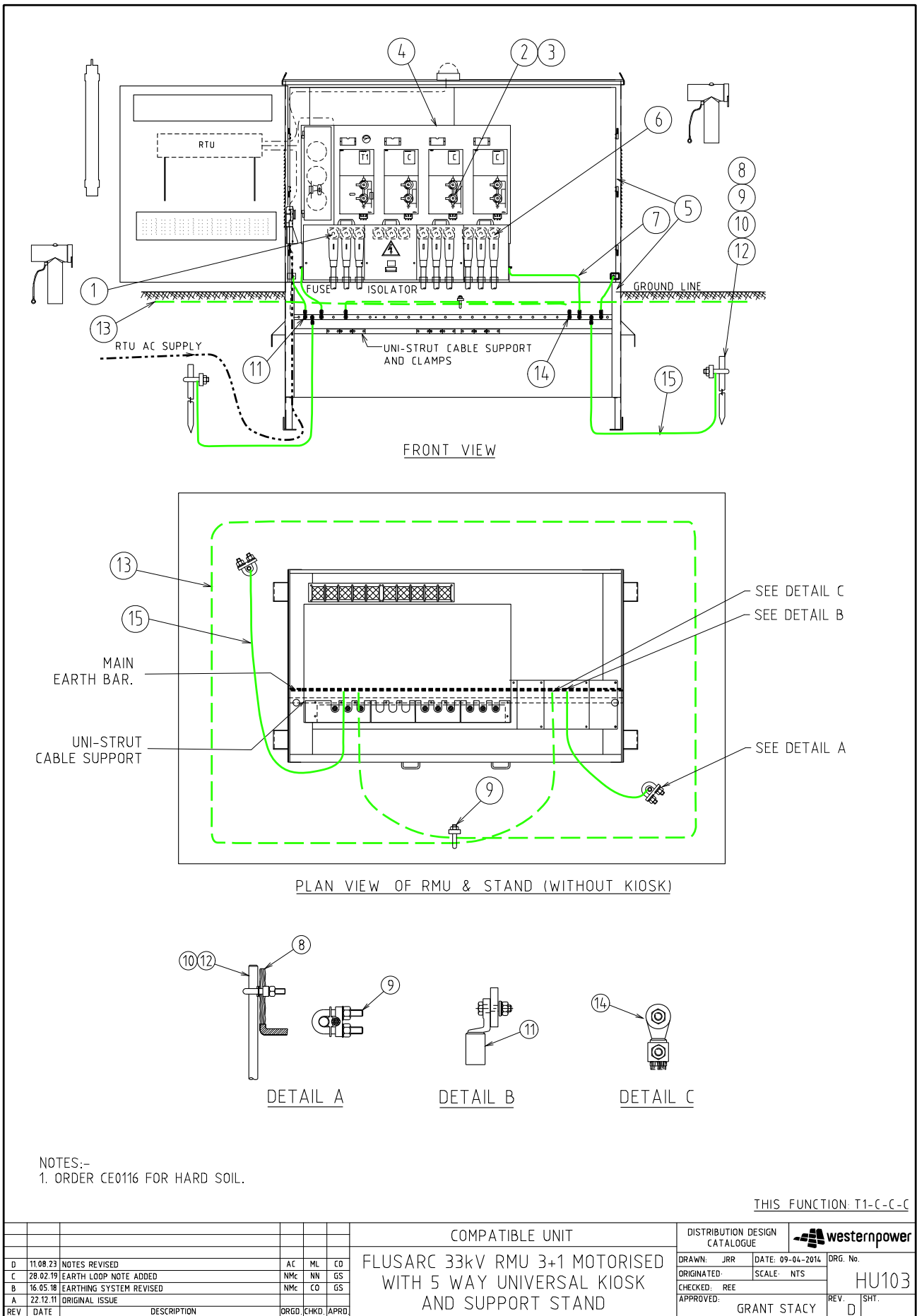
NOTES:-
1. ORDER CE0116 FOR HARD SOIL.

THIS FUNCTION: T1-T1-C-C

				COMPATIBLE UNIT			DISTRIBUTION DESIGN CATALOGUE			
D	11.08.23	NOTES REVISED	AC	ML	CD	FLUSARC 33kV RMU 2+2 MOTORISED WITH 5 WAY UNIVERSAL KIOSK AND SUPPORT STAND	DRAWN: JRR	DATE: 09-04-2014	DRG. No.	
C	28.02.19	EARTH LOOP NOTE ADDED	NMc	NN	GS		ORIGINATED:	SCALE: NTS	HU102	
B	16.05.18	EARTHING SYSTEM REVISED	NMc	CO	GS		CHECKED: REE			
A	22.12.11	ORIGINAL ISSUE					APPROVED:	GRANT STACY	REV. D	SHT.
REV	DATE	DESCRIPTION	DRGD.	CHKD.	APPRD.					

CU	CU Description
-----------	-----------------------

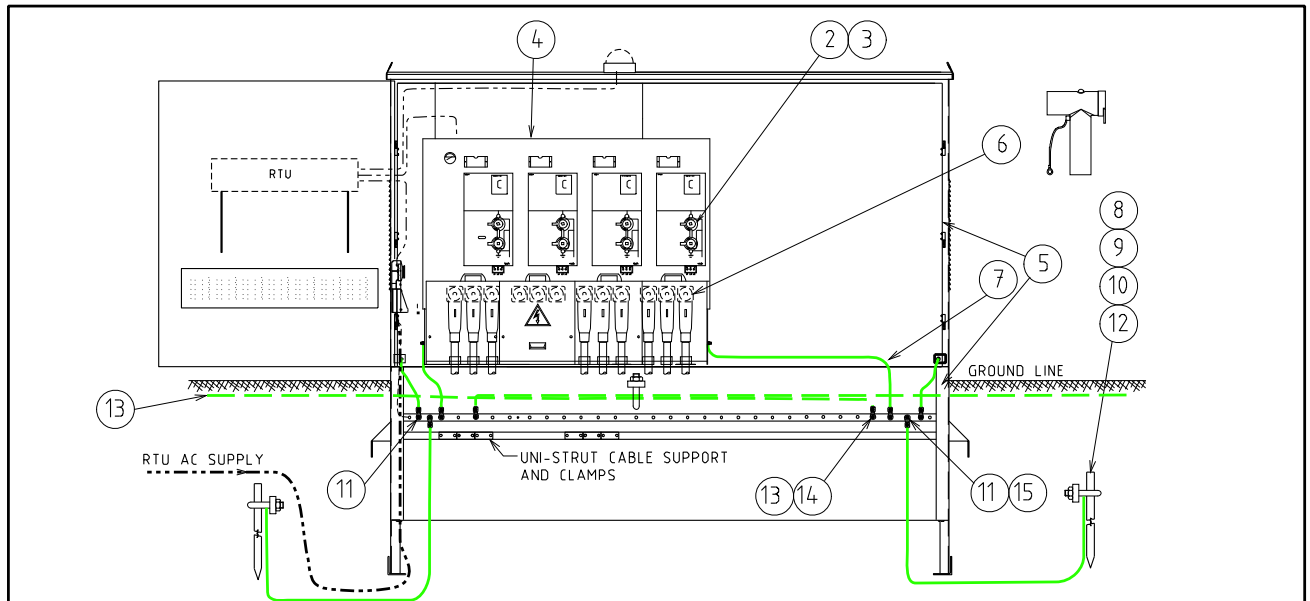
HU102_33		Automatable, Flusarc switchgear Kiosk 2+2 – 185-240 mm² cable, 33kV			
ITEM NUMBER	STOCK CODE	DESCRIPTION	QTY RQD	UNIT OF MEASURE	REMARKS
1	FC1019	Elbow Connector, 50-95 mm ² , 36kV	2	set	
2	OH0211	Padlock–1–1/2IN brass case & steel shackle	4	ea	
3	OH0194	Padlock-New restricted profile mast	5	ea	
4	XA2717	Flusarc 2+2 RMU-36kV, 630A, 16KA/1s; non-ext, motorised	1	ea	RMU supplied complete with 2x10m control cables, 2x10m CT cables, 6xCTs, operating handle and fuse changing handle
5	XA2711	Flusarc 5-wayU Kiosk – Aluminuim, painted	1	ea	
6	FC1018	Elbow Connector, 185-240 mm ² , 36kV, 630A	2	set	
7		Insul wire, 70mm ² Cu cond (19/2.14), stranded	5	mr	
8	CE0135	Rod section, ground-copper clad;1.4m	12	ea	
9	CE0058	Clamp, elect-double saddle type; earth	3	ea	
10	CE0078	Coupling, tube-Alm No CCT15	10	ea	
11	FL1465	Terminal, lug- crimp; eye; 70 mm ² cable	6	ea	
12	CE0116	Driving point for earth rods	0	ea	See note, order separately if required
13	EM0014	Conductor 70mm ² bare copper clad steel	1	coil	30m
14	FL0144	Bolted Q-lug	2	ea	
15	EE1264	Conductor 70mm ² PVC Insulated Copper Green/yellow	10	m	



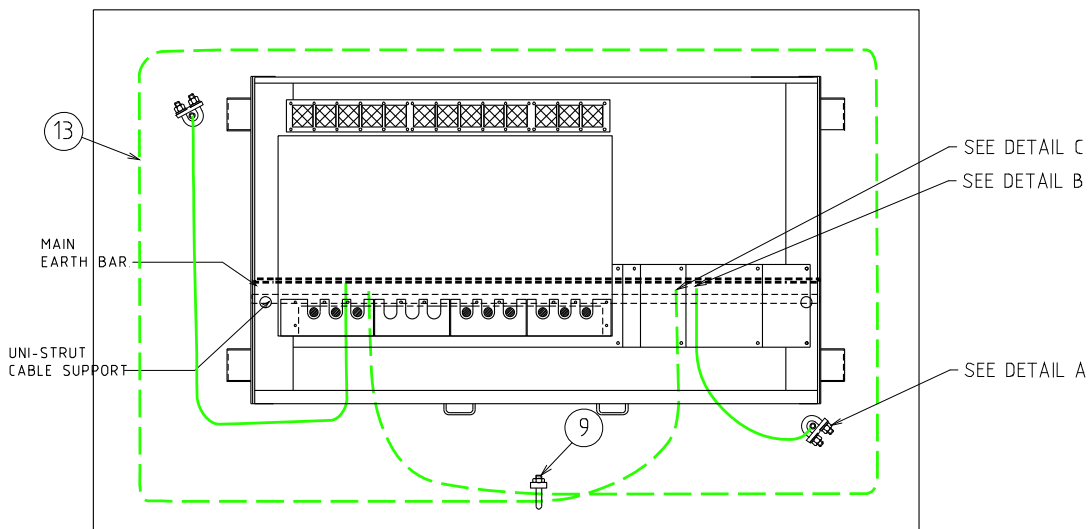
				COMPATIBLE UNIT	DISTRIBUTION DESIGN CATALOGUE			
D	11.08.23	NOTES REVISED				DRAWN: JRR	DATE: 09-04-2014	DRG. No.
C	28.02.19	EARTH LOOP NOTE ADDED	AC	ML	CD	ORIGINATED:	SCALE: NTS	HU103
B	16.05.18	EARTHING SYSTEM REVISED	NMc	NN	GS	CHECKED: REE		
A	22.12.11	ORIGINAL ISSUE	NMc	CO	GS	APPROVED:	GRANT STACY	REV. D SHT.
REV	DATE	DESCRIPTION	DRGD.	CHKD.	APPRD.			

CU	CU Description
----	----------------

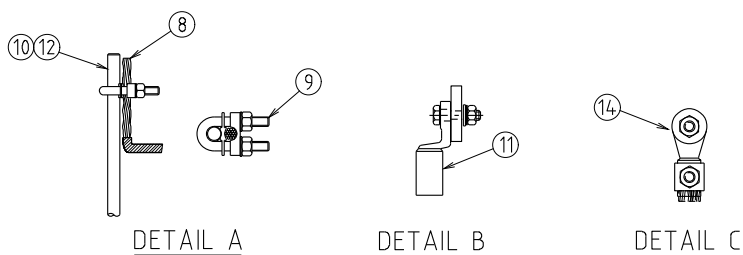
HU103_33		Automatable, Flusarc switchgear Kiosk 3+1 – 185-240 mm ² cable, 33kV			
ITEM NUMBER	STOCK CODE	DESCRIPTION	QTY RQD	UNIT OF MEASURE	REMARKS
1	FC1019	Elbow Connector, 50-95 mm ² , 36kV	1	set	
2	OH0211	Padlock- 1-1/2IN brass case & steel shackle	4	ea	
3	OH0194	Padlock, New restricted profile mast	5	ea	
4	XA2718	Flusarc 3+1 RMU-36kV, 630A, 16kA/1s;non-ext, motorised	1	ea	RMU supplied complete with 3x10m control cables, 3x10m CT cables, 9xCTs, operating handle and fuse changing handle
5	XA2711	Flusarc 5-wayU Kiosk – Aluminum, painted	1	ea	
6	FC1018	Elbow Connector, 185-240 mm ² , 36kV, 630A	3	set	
7		Insul wire, 70mm ² Cu cond (19/2.14), stranded	5	mr	Supplied with Kiosk and stand
8	CE0135	Rod section, Ground – Copper clad; 1.4m	12	ea	
9	CE0058	Clamp, elect – double saddle type; earth	3	ea	
10	CE0078	Coupling, tube – ALM No CCT15	10	ea	
11	FL1465	Terminal, Lug – Crimp; eye; 70mm ² cable	6	ea	
12	CE0116	Driving point for earth rods	0	ea	See note, order separately if required
13	EM0014	Conductor 70mm ² bare copper clad steel	1	coil	30m
14	FL0144	Bolted Q-lug	2	ea	
15	EE1264	Conductor 70mm ² PVC Insulated Copper Green/yellow	10	m	



FRONT VIEW



PLAN VIEW OF RMU & STAND (WITHOUT KIOSK)



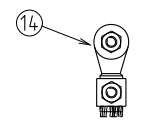
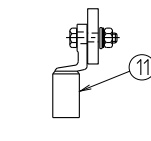
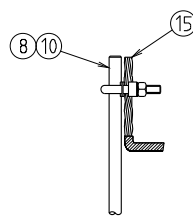
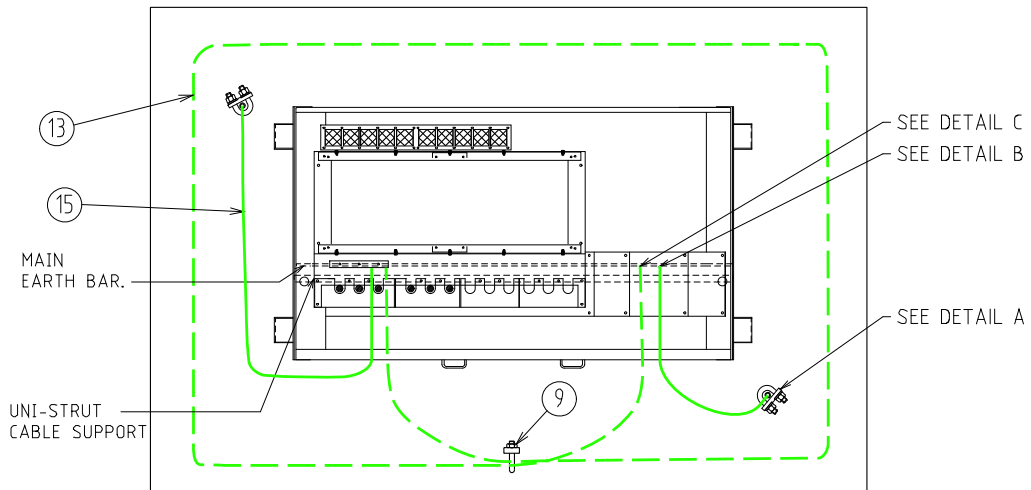
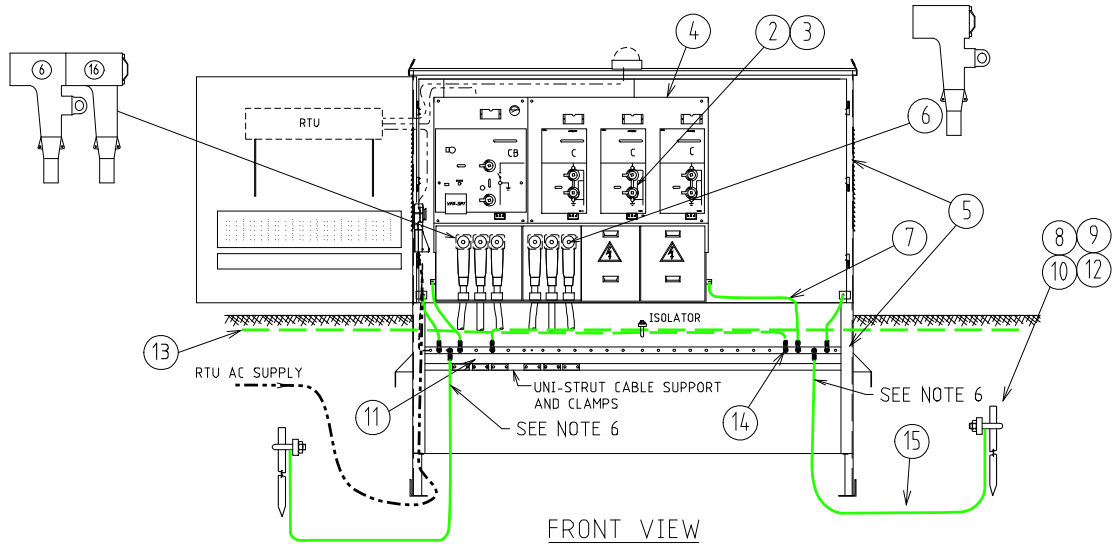
NOTES:-
1. ORDER CE0116 FOR HARD SOIL.

THIS FUNCTION: C-C-C-C

				COMPATIBLE UNIT		DISTRIBUTION DESIGN CATALOGUE		westernpower		
				TITL		DRAWN: JRR		DATE: 09-04-2014		
				PLUSARC 33kV RMU 4+0 MOTORISED WITH 5 WAY UNIVERSAL KIOSK AND SUPPORT STAND		ORIGINATED:		SCALE: NTS		
						CHECKED: REE		DRG. No. HU104		
						APPROVED: GRANT STACY		REV. C		
								SHT.		
REV	DATE	DESCRIPTION	ORGO	CHKD	APRD					
C	08.09.23	NOTES REVISED		AC	ML	CO				
B	09.04.14	FORMAT CHANGED				GS				
A	22.12.11	ORIGINAL ISSUE								

CU	CU Description
-----------	-----------------------

HU104_33		Automatable, Flusarc switchgear Kiosk 4+0 – 185-240 mm² cable, 33kV			
ITEM NUMBER	STOCK CODE	DESCRIPTION	QTY RQD	UNIT OF MEASURE	REMARKS
2	OH0211	Padlock -1-1/2IN brass case & steel shackle	3	ea	
3	OH0194	Padlock - New restricted profile mast	4	ea	
4	XA2705	Flusarc 4+0 RMU-33kV, 630A, 16kA/1s, non-ext, motorised	1	ea	RMU supplied complete with 3x10m control cables, 3x10m CT cables, 9xCTs and operating handl
5	XA2711	Flusarc 5-wayU Kiosk – Aluminuim, painted	1	ea	
6	FC1018	Elbow Connector, 185-240 mm ² , 36kV, 630A	4	set	
7		Insul wire, elect 70mm ² Cu cond (19/2.14); stranded	5	mr	Supplied with Kiosk & stand
8	CE0135	Rod section, ground-copper clad;1.4m	12	ea	
9	CE0058	Clamp, elect-double saddle type; earth	3	ea	
10	CE0078	Coupling, tube-Alm No CCT15	10	ea	
11	FL1465	Terminal, lug- crimp; eye; 70 mm ² cable	6	ea	
12	CE0116	Driving point for earth rods	0	ea	See note
13	EM0014	Conductor 70mm ² bare copper clad steel	1	coil	30m
14	FL0144	Bolted Q-lug	2	ea	
15	EE1264	Conductor 70mm ² PVC Insulated Copper Green/yellow	10	m	

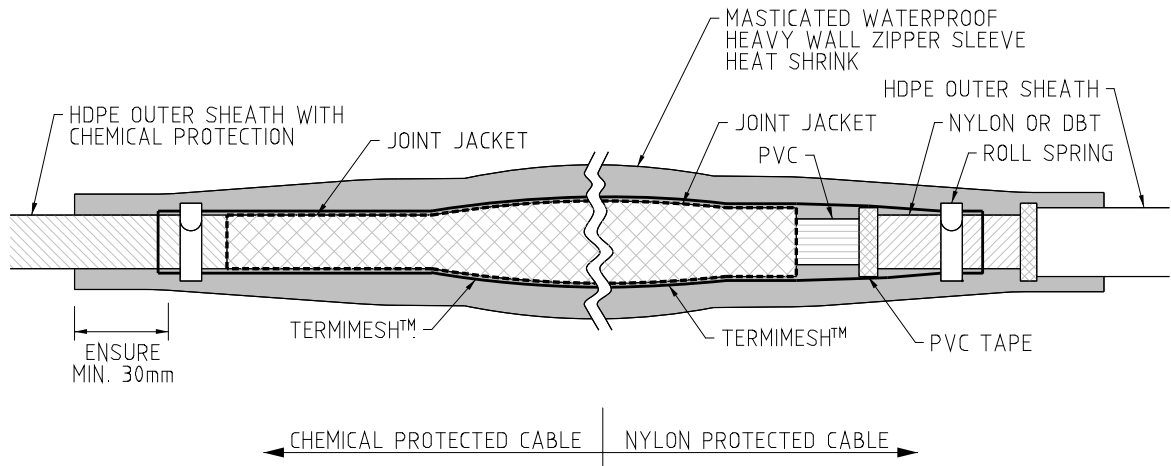


NOTES:-




1. ALL DIMENSIONS ARE IN MILLIMETRES.
2. ORDER CE0116 FOR HARD SOIL.
3. THE NEW 400mm² ELBOW DOES NOT SUPPORT 185 & 240mm² CABLES. PLEASE ORDER CU: HU65_185 FOR THE 185 & 240mm² CABLES.
4. CONNECT 70mm² PVC INSULATED COPPER CABLE (GREEN/YELLOW) TO EARTH ELECTRODES. INSTALL CABLE AND RODS 1200mm BELOW FGL IN NEW SITES.
5. BURIED GRADING RING 150mm BELOW GROUND LEVEL.
6. LOOP EARTH CABLES TO EARTH RODS INSIDE KIOSK FOR EASE OF TESTING.

				COMPATIBLE UNIT		DISTRIBUTION DESIGN CATALOGUE			
				FLUSARC 33kV CB-C-C-C (1CB+3C)		DRAWN: JRR		DATE: 09-04-2014	
				RMU 5 WAY UNIVERSAL MOTORISED		ORIGINATED: NTS		DRG. No.	
				KIOSK AND SUPPORT STAND		CHECKED: REE		HU107	
						APPROVED: GRANT STACY		REV. C SHT.	
REV	DATE	DESCRIPTION	ORGD.	CHKD.	APRD.				

CU	CU Description				
HU107_33 Automatable, Flusarc switchgear Kiosk CB-C-C-C – 185-240 mm² cable, 33kV					
ITEM NUMBER	STOCK CODE	DESCRIPTION	QTY RQD	UNIT OF MEASURE	REMARKS
2	OH0211	Padlock- 1-1/2IN brass case & steel shackle	4	ea	
3	OH0194	Padlock, New restricted profile mast	5	ea	
4	XA2708	Flusarc CB-C-C-C RMU-36kV, 630A, 16KA/1s, non-ext, motorised	1	ea	RMU supplied complete with 4x10m control cables, 4x10m CT cables, 12xCTs, operating handle and CB spring charging handle
5	XA2710	Flusarc 5-way U Kiosk – Aluminium, painted	1	ea	
6	FC1008	Elbow Connector, 185-240 mm ² , 36kV, 630A	4	set	To CB & SW/DC feeder cables
7		Insul wire, 70mm ² Cu cond (19/2.14), stranded	5	mr	Supplied with Kiosk and stand
8	CE0135	Rod section, Ground – Copper clad; 1.4m	12	ea	
9	CE0058	Clamp, elect – double saddle type; earth	3	ea	
10	CE0078	Coupling, tube – ALM No CCT15	10	ea	
11	FL1465	Terminal, Lug – Crimp; eye; 70mm ² cable	6	ea	
12	CE0116	Driving point for earth rods	0	ea	See note, order separately if required
13	EM0014	Conductor 70mm ² bare copper clad steel	1	coil	30m
14	FL0144	Bolted Q-lug	2	ea	
15	EE1264	Conductor 70mm ² PVC Insulated Copper Green/yellow	10	m	
16	GA0001	Surge Arrester	1	Set	Designer orders as required for the CB




LEGEND

-  HV STRAIGHT JOINT
-  TERMITICIDE CABLE
-  NYLON OR DBT CABLE

NOTE:

1. FOR USE OVER HV XLPE STRAIGHT JOINTS (HU1, HU2, HU13, HU14, HU56, HU58) WHEN TERMITE PROTECTION IS REQUIRED.
2. THIS IS NOT A CABLE JOINT. ONLY A TERMITE PROTECTION KIT. IT IS TO BE APPLIED OVER A HV STRAIGHT JOINT.

				COMPATIBLE UNIT		DISTRIBUTION DESIGN CATALOGUE			
				TITLE		DRAWN: JRR DATE: 09-04-2014		DRG. No.	
				TERMITE PROTECTION KIT FOR HV XLPE JOINTS		ORIGINATED: REE SCALE: NTS		HU110	
						CHECKED: REE		REV. A	
						APPROVED: GRANT STACY		SHT.	
A	16.08.13	ORIGINAL ISSUE		ORGD.	CHKD.	APRD.			
REV	DATE	DESCRIPTION							

CU	CU Description
-----------	-----------------------

HU110_400_1C	Termite Protection kit 35-400mm² 1C 22kV & 33kV HV XLPE Straight Joints
---------------------	---

ITEM NUMBER	STOCK CODE	DESCRIPTION	QTY RQD	UNIT OF MEASURE	REMARKS
1	FJ0026	Termite Protection kit	1	set	

HU110_400_3C	Termite Protection kit 35-400mm² 3C 22kV & 33kV HV XLPE Straight Joints
---------------------	---

ITEM NUMBER	STOCK CODE	DESCRIPTION	QTY RQD	UNIT OF MEASURE	REMARKS
1	FJ0026	Termite Protection kit	3	set	