



Distribution Design Catalogue

Low Voltage Underground

Section 11 (LU)



Revision List

For drawing revisions please refer to the DDC Amendment list EDM# 24803827

General Notes

NOTE #	DESCRIPTION
1	Driving point is not required for normal ground conditions including small coffee rocks and shale. For harder ground condition, a driving point is recommended. (It is unlikely the driving point will be suitable for granite rock)
2	Expulsion Dropout Fuse (EDO) base and links as well as K-Mate fuse current limiters are not included in CUs but listed in HV51. Fault Tamer fuse base and links are listed in HV52. Fault Tamer fuse are not to be used on 33kV networks and have a maximum rating of 20A. EDOs are used on 33kV networks and for current rating greater than 20A.
3	For the physical dimension tables the uppermost king bolt / eye bolt is the reference point with coordinates X=0.0, Y=0.0 (Datum)
4	The conductor location in the Y axis of the physical dimension tables lists the height of the conductor on the top of the post insulator above the datum. This dimension has been rounded down taking equipment differences, manufacturing tolerances and installation variations into account. On angle structures, where the conductor is attached to the side of the insulator head the conductor is located marginally lower than if located on the top of the insulator. No adjustment is considered necessary to the Y dimension in these cases.
5	For conductor clashing calculation, apply the correct Y dimension which may differ from that listed in the dimension table which is used for ground clearance simulation purposes. E.g. HV09 RHS span (centre to outer phase) Ydim to be 230mm and not 310mm.
6	HV isolators to be selected according to HV53.

© Copyright of Western Power

Any use of this material except in accordance with a written agreement with Western Power is prohibited.

			COMPATIBLE UNIT			DISTRIBUTION DESIGN CATALOGUE			
K	29.11.23	LU38 TO 40 AND LU45 - 49 DWG. & CU DESC. DELETED	TCM	SL	CO	TITLE			
J	12.12.18	MULTIPLE UPDATES	CO	FK	GS	DRAWN: JRR DATE: 15-04-2014 DRG. No.			
H	30.10.18	LU08 & LU13 INDEX REVISED	CO	NMc	GS	ORIGINATED: SCALE: NTS			
G	16.01.17	LU33 INDEX REVISED	CO	JC	GS	CHECKED: REE			
F	30.06.15	ITEM LU62 ADDED	REE	REE	GS	APPROVED: GRANT STACY			
REV	DATE	DESCRIPTION	DRGD.	CHKD.	APRD.	REV. K		SHT.	

LU COMPATIBLE UNITS

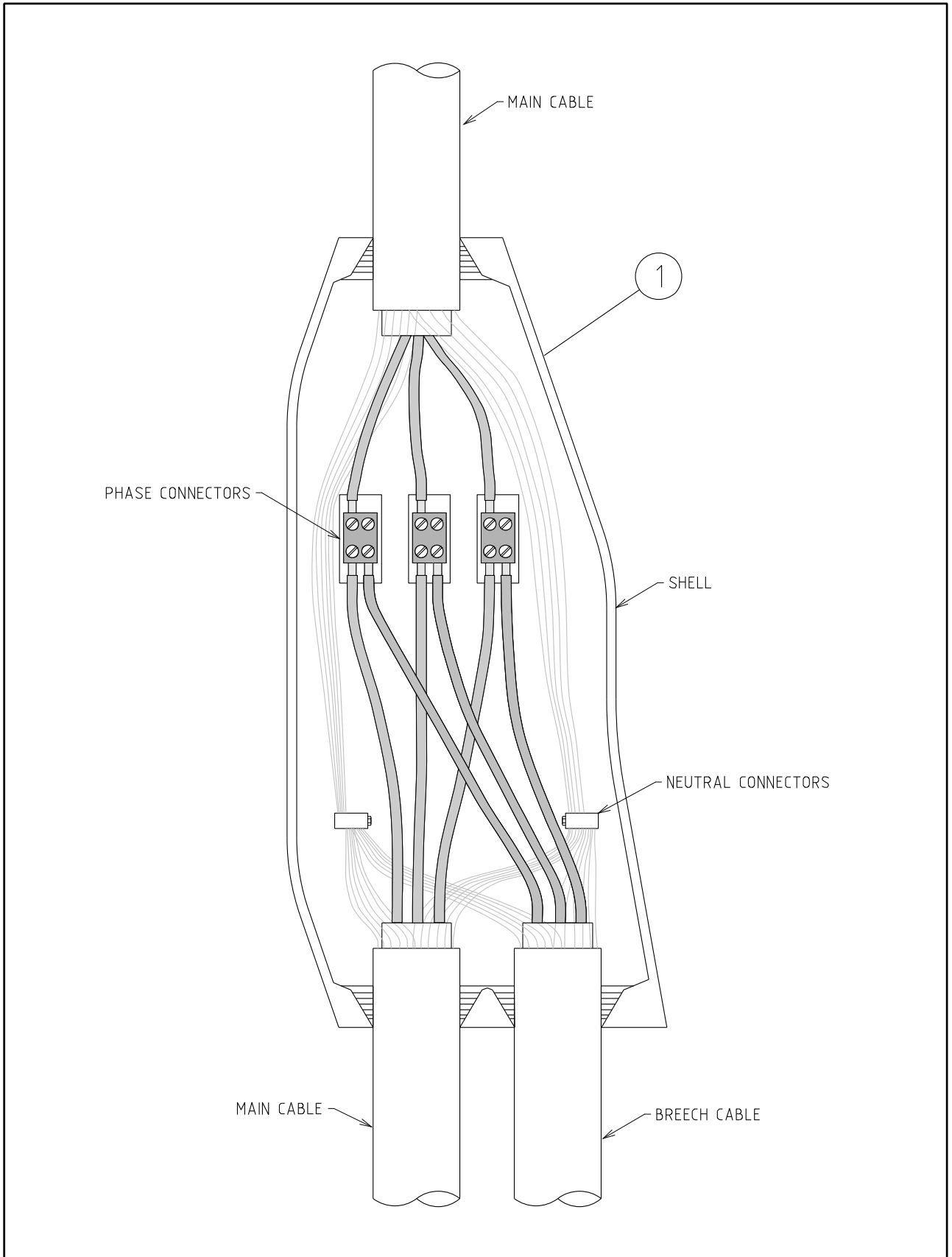
LU INDEX

Low Voltage Underground CU List

CU	CU DESCRIPTION
LU1	Breeches joint 120/120-120/185-185/120-185/185
LU2	Straight joint 185/185-185/240-240/240
LU3	Straight joint 120/120-120/185-120/240
LU4	Tee joint 25/120-25/185
LU5	Tee joint 25/240
LU6_120O	Aerial cable termination for a 120mm cable
LU6_120U	U/G cable termination 120mm
LU6_240O	Aerial cable termination for a 240mm cable
LU6_240U	U/G cable termination 240mm
LU6_LVABC	Aerial cable termination for 120-240mm cable to LVABC
LU7_240	Universal pillar termination – 120 to 240
LU8	Straight joint 25/25
LU9_120O	Aerial cable termination for a 120mm cable
LU9_120U	U/G cable termination 120mm
LU9_240O	Aerial cable termination for a 240mm cable
LU9_240U	U/G cable termination 240mm
LU10	Mini pillar & 1 x 25mm cable termination
LU10_2TERM	Mini pillar & 2 x 25mm cable termination
LU10_CABTERM	25mm cable termination to existing pillar
LU11	Universal pillar
LU12	Tee joint 10/10-10/16-16/16
LU13	Straight joint 10/10-10/16-16/16
LU14_16/160A	Cable to fuse switch -16 (Single phase)/160A Base
LU14_25/160A	Cable to fuse switch -25/160A Base
LU14_25/630A	Cable to fuse switch -25/630A Base
LU14_120	Cable to fuse switch -120
LU14_185	Cable to fuse switch -185
LU14_240	Cable to fuse switch -240
LU15	Straight joint with service tee 25/120, 25/185 & 25/240
LU16_400CU16	Transformer 400mm ² Cu M16 Termination Kit
LU16_400CU12	Penda 400mm ² Cu M12 Termination Kit
LU16_630AL16	Transformer 630mm ² Al M16 Termination Kit
LU19	Breeches joint 240/240
LU34	Wall mounted box – 100amp
LU35	Wall mounted box – 200amp
LU36_63A	J-type fuse 63A and carrier for universal pillar
LU36_100A	J-type fuse 100A and carrier for universal pillar
LU36_160A	J-type fuse 160A and carrier for universal pillar
LU36_200A	J-type fuse 200A and carrier for universal pillar
LU36_315A	J-type fuse 315A and carrier for universal pillar
LU36_Link	Link 400 amp for universal pillar
LU37_120O	Aerial termination for a 120mm cable
LU37_120U	U/G termination 120mm cable
LU37_240O	Aerial termination for a 240mm cable
LU37_240U	U/G termination 240mm cable

CU	CU DESCRIPTION
LU41	Base for LV kiosk Type 1
LU42	Base for LV kiosk Type 2
LU43	Base for LV kiosk Type 3
LU44	fuse switch 400 A cover with 630 A base
LU50_25/95O	OH Termination 25mm CU to 95 ABC
LU50_25/95U	UG Termination 25mm CU to 95 ABC
LU50_25/150O	OH Termination 25mm CU to 150 ABC
LU50_25/150U	UG Termination 25mm CU to 150 ABC
LU50_101695O	OH Termination 10/16mm CU to 95 ABC
LU50_101695U	UG Termination 10/16mm CU to 95 ABC
LU50_1016O	OH Termination 10/16mm CU to 150 ABC
LU50_1016U	UG Termination 10/16mm CU to 150 ABC
LU50_EXT_25C	UG cable extension or reattachment 25mm LVAB
LU50_EXT_16C	UG cable extension or reattachment 16mm LVAB
LU51_25ALO	OH Termination 25mm CU cable to aluminium conductor
LU51_25ALU	UG Termination 25mm CU cable to aluminium conductor
LU51_25CUO	OH Termination 25mm CU cable to copper conductor
LU51_25CUU	UG Termination 25mm CU cable to copper conductor
LU51_1016ALO	OH Termination 10/16mm CU cable to AL conductor
LU51_1016ALU	UG Termination 10/16mm CU cable to AL conductor
LU51_1016CUO	OH Termination 10/16mm CU cable to CU conductor
LU51_1016CUU	UG Termination 10/16mm CU cable to CU conductor
LU51_EXT_25C	UG cable extension or reattachment 25mm CU
LU51_EXT_25A	UG cable extension or reattachment 25mm AL
LU51_EXT_16C	UG cable extension or reattachment 16mm CU
LU51_EXT_16A	UG cable extension or reattachment 16mm AL
LU52	Cable Service pit (Conditional use)
LU53	Transition Jn 120-240PILC to 120-240XLPE
LU54	Tee joint-150 pilcswa to 25 xlpe
LU55	Tee joint-240 pilcswa to 25 xlpe
LU57	Breeches joint-240 pilcswa to 240 xlpe
LU58	Transition joint (consac) with service cable 25/(120-240)
LU61_25_240VO	OH Termination Transformer Pole to Pillar 25mm CU cable (240V)
LU61_25_240VU	UG Termination Transformer Pole to Pillar 25mm CU cable (240V)
LU61_25_2x25O	OH Termination 2x25kV transformer Pole to Pillar 25mm CU cable (240V)
LU61_25_2x25U	UG Termination 2x25kV transformer Pole to Pillar 25mm CU cable (240V)
LU61_25_480VO	OH Termination Transformer Pole to Pillar 25mm CU cable (480V)
LU61_25_480VU	UG Termination Transformer Pole to Pillar 25mm CU cable (480V)
LU61_25_3phO	OH Termination Transformer Pole to Pillar 25mm CU cable (415V)
LU61_25_3phU	UG Termination Transformer Pole to Pillar 25mm CU cable (415V)
LU61_120_3phO	OH Termination Transformer Pole to Pillar 120mm AL cable (415V)
LU61_120_3phU	UG Termination Transformer Pole to Pillar 120mm AL cable (415V)
LU61_185_3phO	OH Termination Transformer Pole to Pillar 185mm AL cable (415V)
LU61_185_3phU	UG Termination Transformer Pole to Pillar 185mm AL cable (415V)
LU61_240_3phO	OH Termination Transformer Pole to Pillar 240mm AL cable (415V)
LU61_240_3phU	UG Termination Transformer Pole to Pillar 240mm AL cable (415V)
LU62_70_120	LV Cable Live End Seal for XLPE -70-120 1x30 core

CU	CU DESCRIPTION
LU62_185_240	LV Cable Live End Seal for XLPE -185-240 1x30 core
LU62_50_240	LV Cable Live End Seal PILC (resin filled)
LU63	Type 1.1 PENDA
LU64_I	Type 2.1 PENDA – I (Indoor)
LU64_O	Type 2.1 PENDA O (Outdoor)
LU65_I	Type 3.1 PENDA – I (Indoor)
LU65_O	Type 3.1 PENDA O (Outdoor)
LU66_TX	2000A Tx switch disconnecter (incoming supply to PENDA)
LU66_CUST	2000A Customer switch disconnecter (connection to PENDA)
LU67	1260A Fused switch disconnecter (connection to PENDA)
LU68	910A Fused switch disconnecter (connection to PENDA)
LU69	630A Fused switch disconnecter (connection to PENDA)
LU70	160A Fused switch disconnecter (connection to PENDA)
LU71	1000A Switched disconnecter (un-fused connection to PENDA)

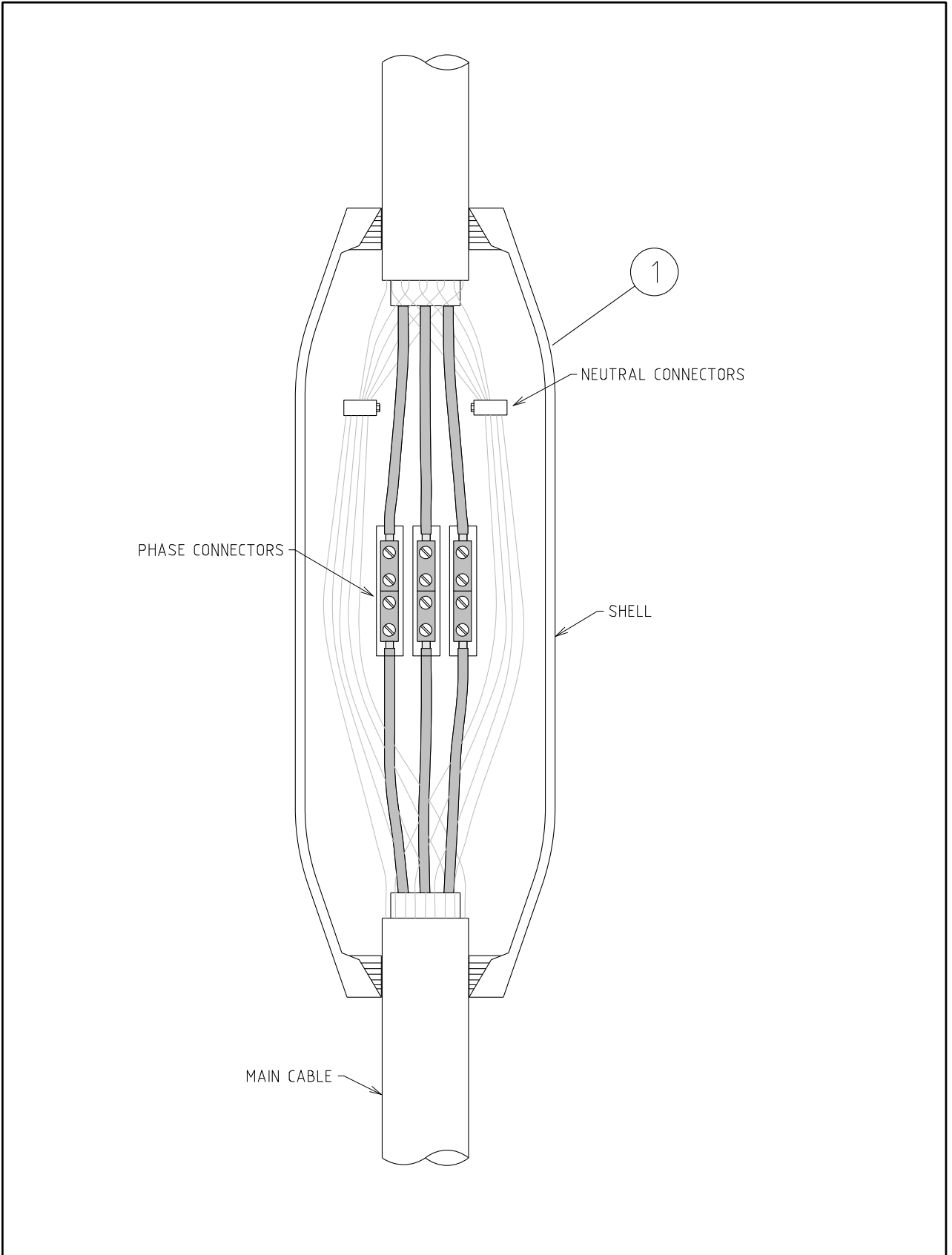


				COMPATIBLE UNIT			DISTRIBUTION DESIGN CATALOGUE		westernpower	
				TITLE			DRAWN: JRR		DATE: 14-04-2014	
				BREECHES JOINT			ORIGINATED:		SCALE: NTS	
				120/120,120/185,120/240 & 185/185			CHECKED: REE		DRG. No. LU01	
							APPROVED: GRANT STACY		REV. D	
REV	DATE	DESCRIPTION	DRGD.	CHKD.	APRD.			SHT.		
D	31.08.21	REDRAWN TO SUIT NEW JOINT BOX	CO	KT	GS					
C	01.12.09	ORIGINAL ISSUE								

CU	CU Description
-----------	-----------------------

LU1	Breeches joint 120/120-120/185-185/120-185/185
------------	---

ITEM NUMBER	STOCK CODE	DESCRIPTION	QTY RQD	UNIT OF MEASURE	REMARKS
1	FJ0063	breeches joint (Kit only)	1	ea	
1	KC0014	2-part guroflex resin	5	ea	

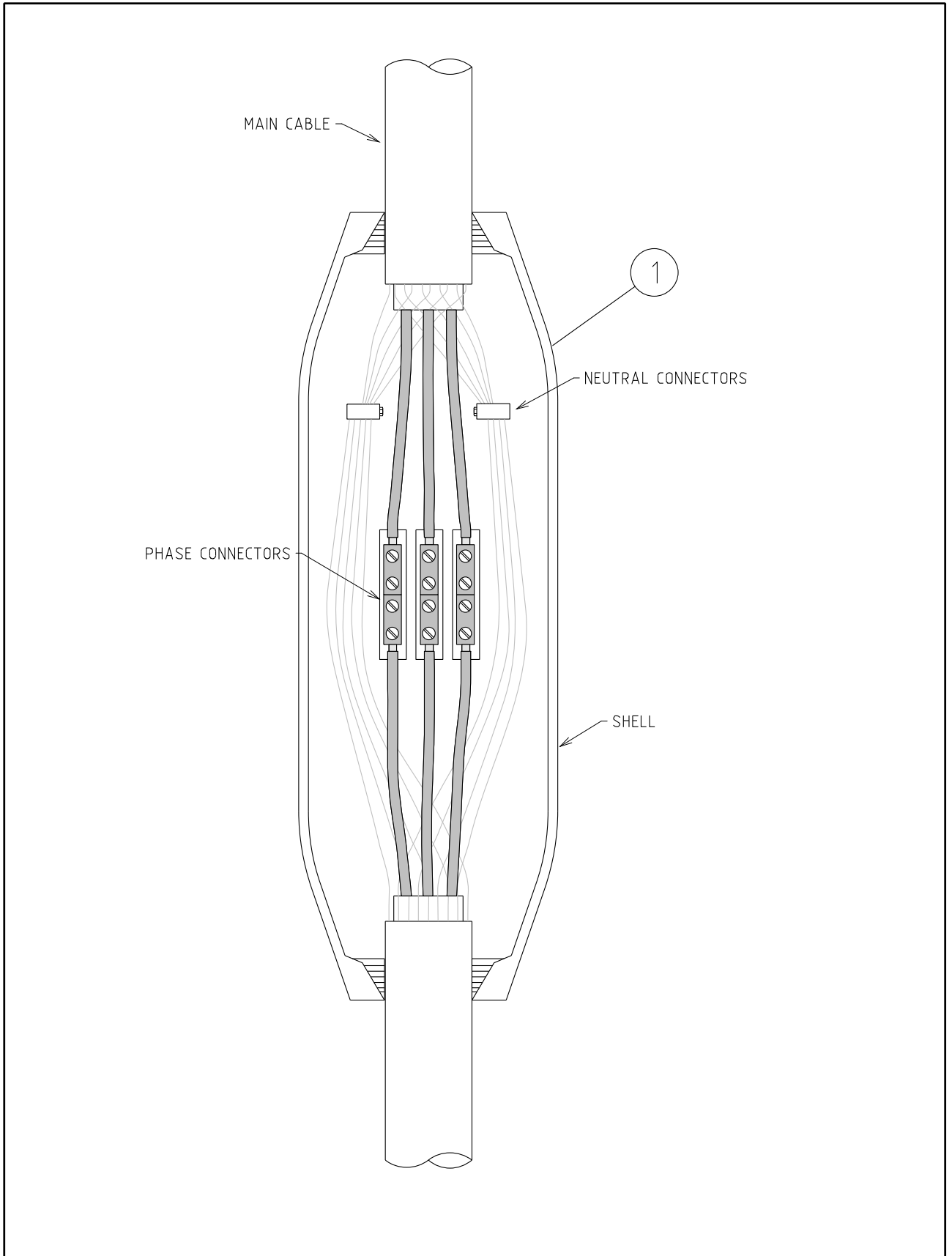


				COMPATIBLE UNIT			DISTRIBUTION DESIGN CATALOGUE					
				TITLE			DRAWN: JRR		DATE: 15-04-2014		DRG. No.	
				STRAIGHT JOINT			ORIGINATED:		SCALE: NTS		LU02	
				185/185, 185/240 & 240/240			CHECKED: REE		APPROVED:		REV. B	
							GRANT STACY				SHT.	
REV	DATE	DESCRIPTION	DRGD.	CHKD.	APRD.							
B	12.12.18	REDRAWN TO SUIT NEW JOINT	CO	FK	GS							
A	21.01.99	ORIGINAL ISSUE										

CU	CU Description
-----------	-----------------------

LU2	Straight joint 185/185-185/240-240/240
------------	---

ITEM NUMBER	STOCK CODE	DESCRIPTION	QTY RQD	UNIT OF MEASURE	REMARKS
1	FJ0062	straight joint (Kit only)	1	ea	
1	KC0014	2-part guroflex resin	2	ea	

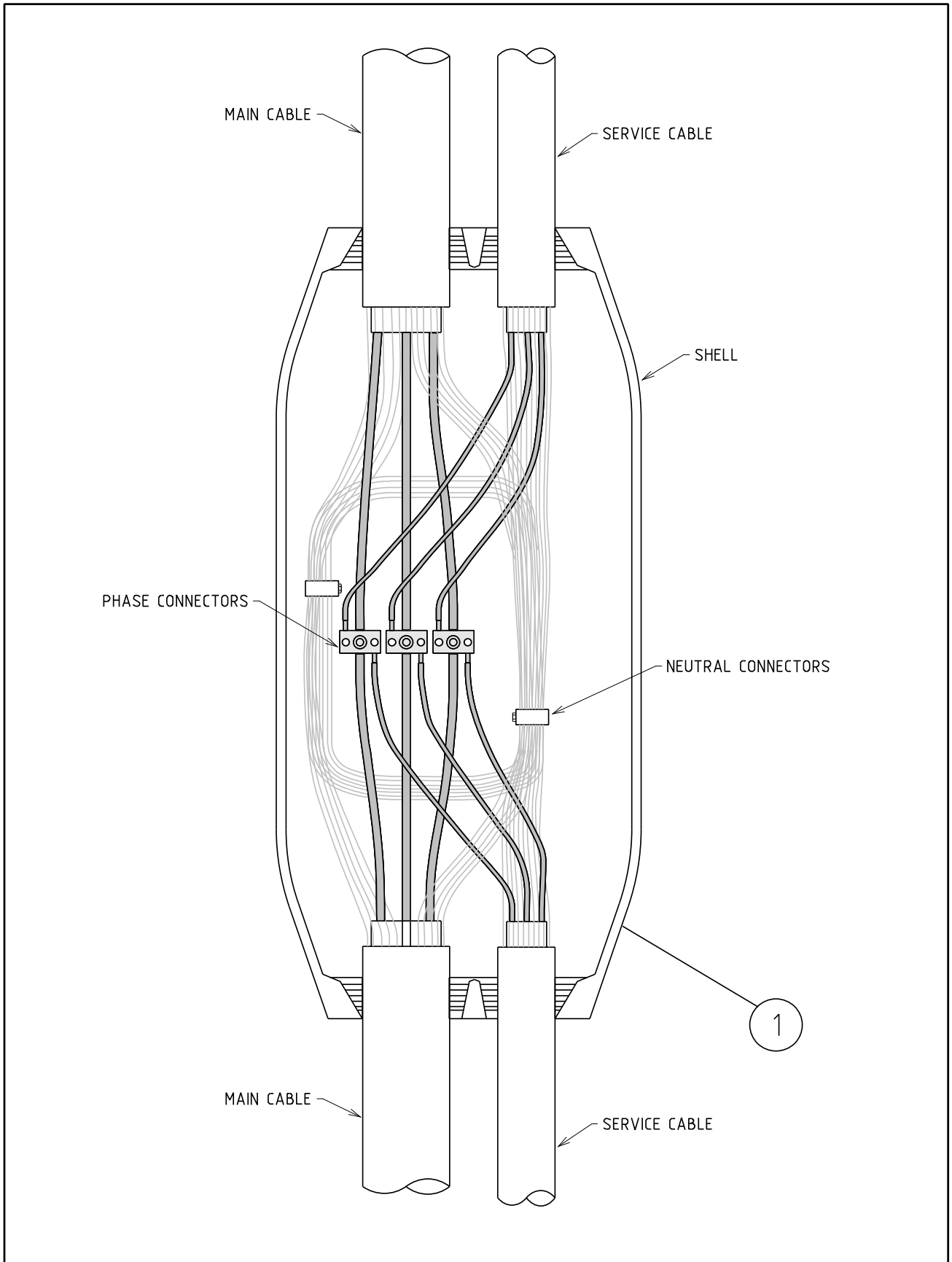


				TITLE			COMPATIBLE UNIT		DISTRIBUTION DESIGN CATALOGUE		westernpower	
				STRAIGHT JOINT - 120/120			DRAWN: JRR		DATE: 14-04-2014		DRG. No.	
							ORIGINATED:		SCALE: NTS		LU03	
							CHECKED: REE		APPROVED: GRANT STACY		REV. C	
REV	DATE	DESCRIPTION	ORGD.	CHKD.	APPRD.					SHT.		
C	31.08.21	REDRAWN TO SUIT NEW JOINT	CO	KT	GS							
B	21.01.99	ORIGINAL ISSUE										

CU	CU Description
-----------	-----------------------

LU3	Straight joint 120/120-120/185-120/240
------------	---

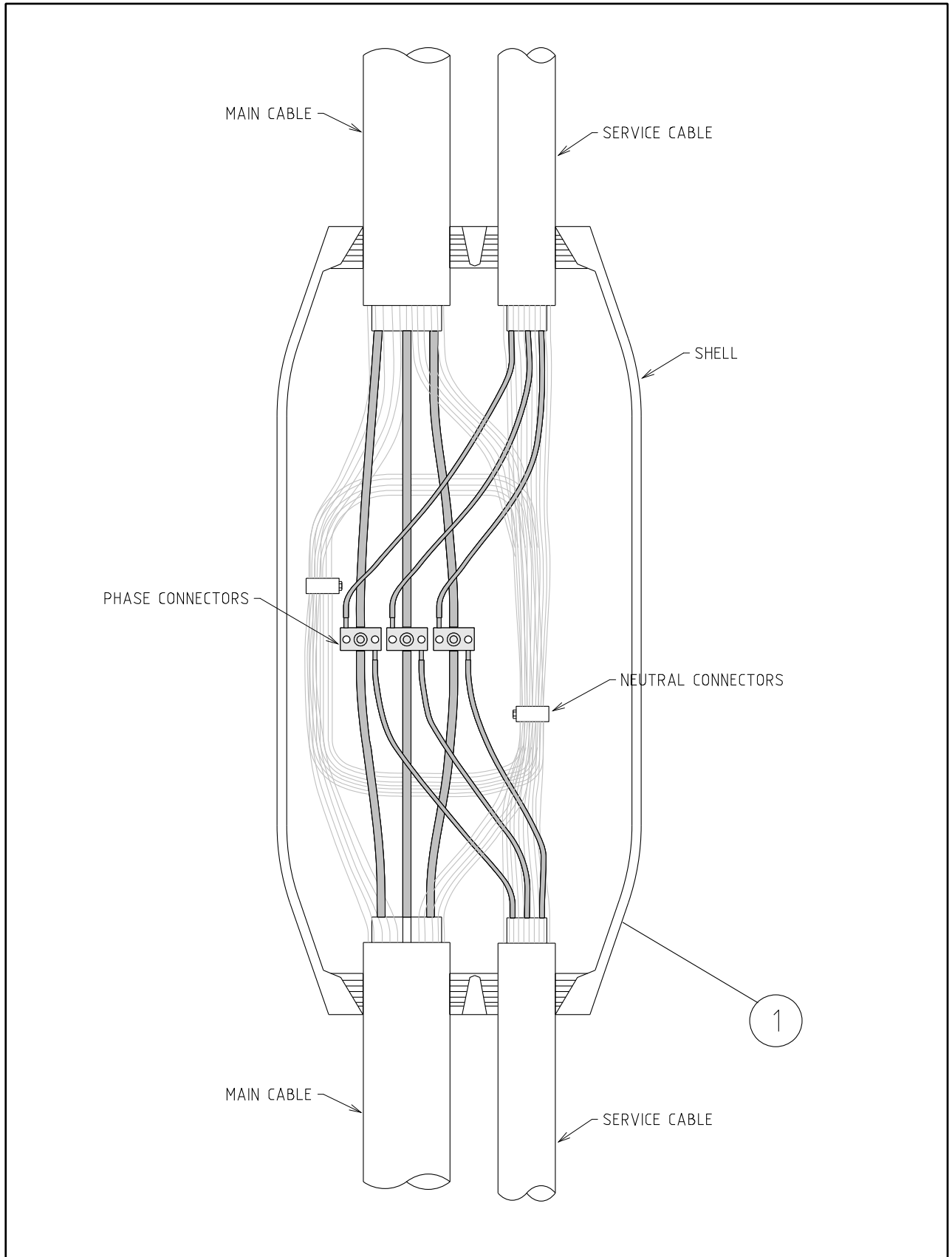
ITEM NUMBER	STOCK CODE	DESCRIPTION	QTY RQD	UNIT OF MEASURE	REMARKS
1	FJ0062	straight joint (Kit only)	1	ea	
1	KC0014	2-part guroflex resin	2	ea	



				COMPATIBLE UNIT		DISTRIBUTION DESIGN CATALOGUE		westernpower	
				TITLE		DRAWN: JRR		DATE: 15-04-2014	
				TEE JOINT		ORIGINATED:		SCALE: NTS	
				25/120 & 25/185		CHECKED: REE		ORG. No.	
						APPROVED: GRANT STACY		REV. C	
								SHT.	
								LU04	
								C	
REV	DATE	DESCRIPTION	ORGD.	CHKD.	APRD.				
C	07.04.20	REDRAWN TO SUIT NEW JOINT BOX	CO	GS	FK				
B	21.04.03	ORIGINAL ISSUE							

CU	CU Description
-----------	-----------------------

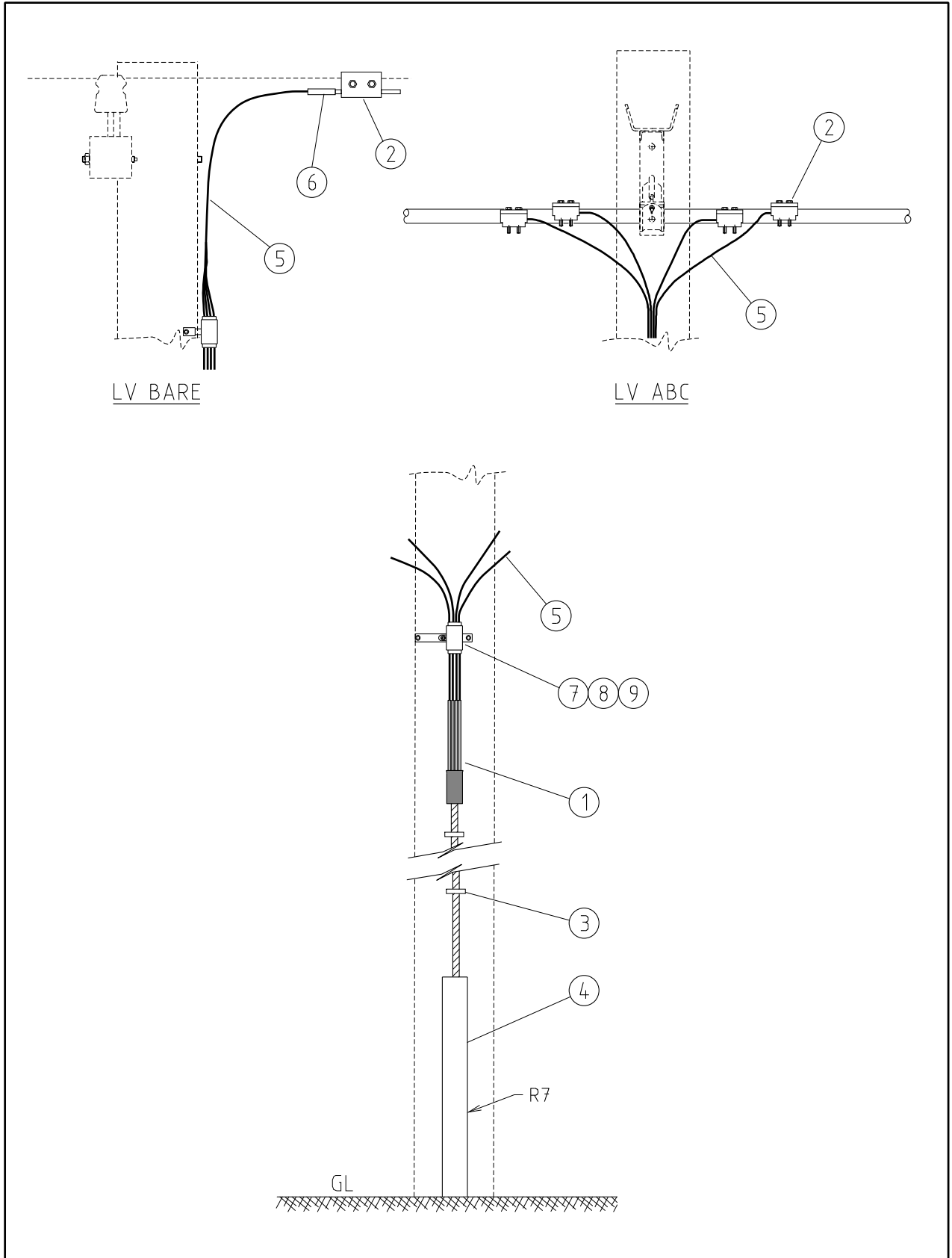
LU4 Tee joint 25/120-25/185					
ITEM NUMBER	STOCK CODE	DESCRIPTION	QTY RQD	UNIT OF MEASURE	REMARKS
1	FJ0067	tee joint (Kit only)	1	ea	
1	KC0014	2-part guroflex resin	2	ea	



				TITLE			COMPATIBLE UNIT		DISTRIBUTION DESIGN CATALOGUE		westernpower	
				TEE JOINT - 25/240			DRAWN: JRR		DATE: 15-04-2014		DRG. No.	
							ORIGINATED:		SCALE: NTS		LU05	
							CHECKED: REE				REV. C	
							APPROVED: GRANT STACY				SHT.	
REV	DATE	DESCRIPTION	ORGD.	CHKD.	APRD.							
C	12.12.18	REDRAWN TO SUIT NEW JOINT BOX	CO	FK	GS							
B	21.04.03	ORIGINAL ISSUE										

CU	CU Description
-----------	-----------------------

LU5		Tee joint 25/240			
ITEM NUMBER	STOCK CODE	DESCRIPTION	QTY RQD	UNIT OF MEASURE	REMARKS
1	FJ0066	tee joint (kit only)	1	ea	
1	KC0014	2-part guroflex resin	2	ea	



				COMPATIBLE UNIT		DISTRIBUTION DESIGN CATALOGUE		westernpower	
				TITLE		DRAWN: JRR		DATE: 15-04-2014	
				120 to 240mm ² CABLE TO LV BARE OR LV ABC, DIRECT CONNECTION		ORIGINATED:		SCALE: NTS	
						CHECKED: REE		DRG. No. LU06	
						APPROVED: GRANT STACY		REV. D	
REV	DATE	DESCRIPTION	ORGD.	CHKD.	APRD.				
D	29.03.19	LV ABC CONNECTION DETAILS ADDED	CO	NMc	GS				
C	23.08.17	ADDED LV ABC SUPPORT, CONNECTION DETAILS CLARIFIED	CO	JC	GS				
B	10.09.12	ORIGINAL ISSUE							

CU	CU Description
-----------	-----------------------

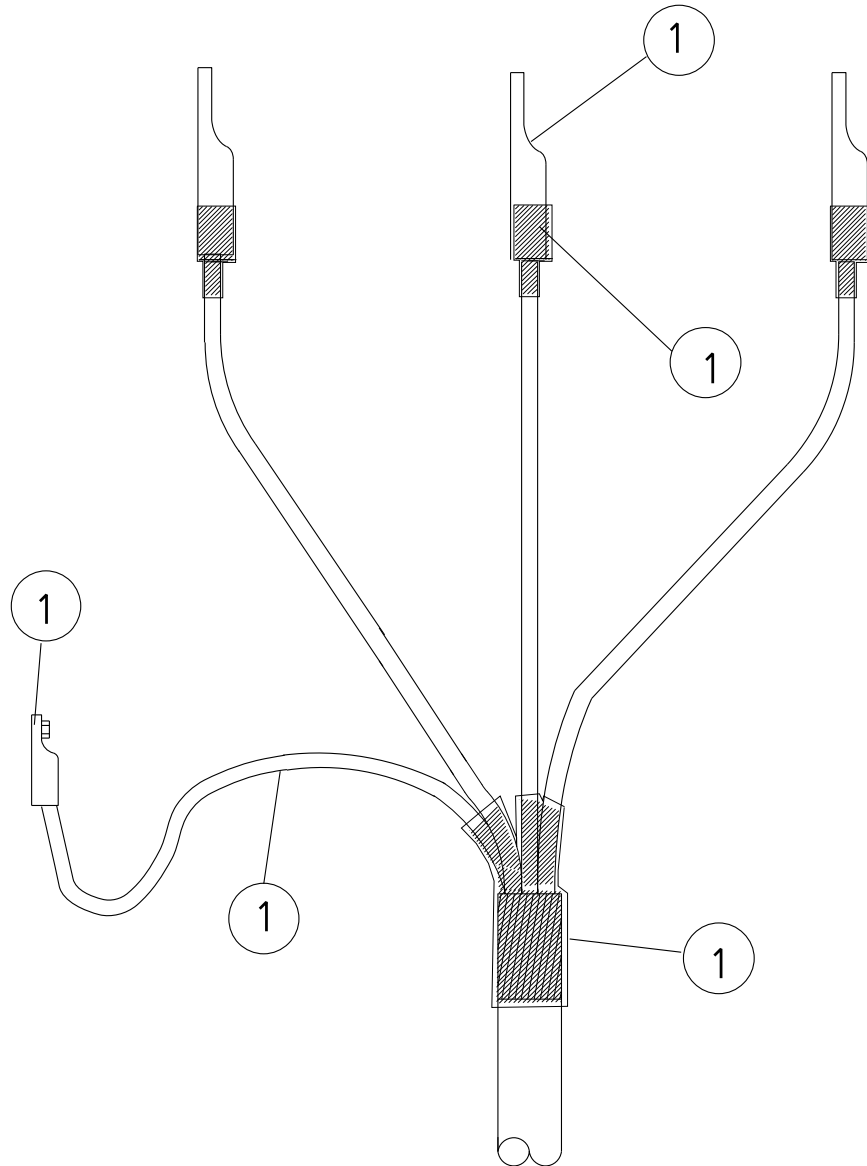
LU6_1200		Aerial cable termination for a 120mm cable			
ITEM NUMBER	STOCK CODE	DESCRIPTION	QTY RQD	UNIT OF MEASURE	REMARKS
2	CC0138	par groove clamp	4	ea	
3	GC7193	32mm saddle	3	ea	
4	HT6320	cable protector	1	ea	
6	CJ0494	ABC 95 splice Alumin tail	4	ea	
7	CB3055	Bracket	1	ea	
8	CC0101	Conductor Suspension clamp	1	ea	
9	AS1440	Coach Screw	2	ea	

LU6_120U		U/G cable termination 120mm			
ITEM NUMBER	STOCK CODE	DESCRIPTION	QTY RQD	UNIT OF MEASURE	REMARKS
1	FC0499	splice 120 to 95 ABC	1	ea	
5	FT0095	ABC 95 3m long	1	ea	

LU6_2400		Aerial cable termination for a 240mm cable			
ITEM NUMBER	STOCK CODE	DESCRIPTION	QTY RQD	UNIT OF MEASURE	REMARKS
2	CC0138	par groove clamp	4	ea	
3	GC7195	50mm saddle	3	ea	
4	HT6320	cable protector	1	ea	
6	CJ0496	ABC 150 splice Alumin tail	4	ea	
7	CB3055	Bracket	1	ea	
8	CC0110	Conductor Suspension clamp	1	ea	
9	AS1440	Coach Screw	2	ea	

LU6_240U		U/G cable termination 240mm			
ITEM NUMBER	STOCK CODE	DESCRIPTION	QTY RQD	UNIT OF MEASURE	REMARKS
1	FC0499	splice 150 ABC to 240	1	ea	
5	FT0150	ABC 150 3m long	1	ea	

LU6_LVABC		Aerial cable termination for 120 – 240mm cable to LV ABC			
ITEM NUMBER	STOCK CODE	DESCRIPTION	QTY RQD	UNIT OF MEASURE	REMARKS
2	CC0081	LV ABC IPC (95/150 – 95/150)	4	ea	
3	GC7195	50mm saddle	3	ea	
4	HT6320	cable protector	1	ea	
7	CB3055	Bracket	1	ea	
8	CC0110	Conductor Suspension clamp	1	ea	
9	AS1440	Coach Screw	2	ea	

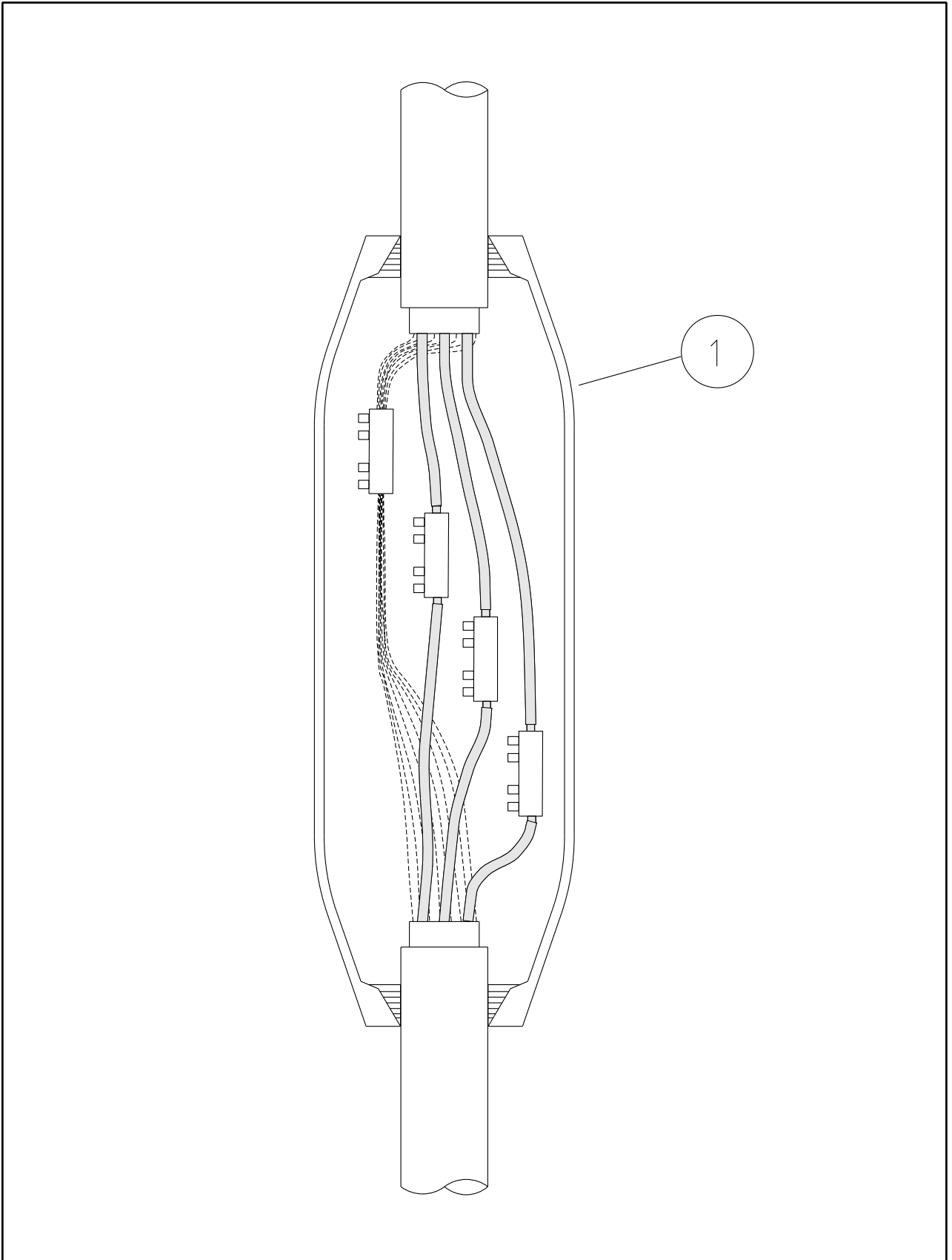


				COMPATIBLE UNIT		DISTRIBUTION DESIGN CATALOGUE			
				TITLE		DRAWN: JRR DATE: 15-04-2014		DRG. No.	
				UNIVERSAL PILLAR TERMINATION		ORIGINATED: SCALE: NTS		LU07	
						CHECKED: REE		REV. C	
						APPROVED: GRANT STACY		SHT.	
C	17.10.08	ORIGINAL ISSUE		ORG.	CHKD.	APRD			
REV	DATE	DESCRIPTION							

CU	CU Description
-----------	-----------------------

LU7_240	Universal pillar termination – 120 to 240
----------------	--

ITEM NUMBER	STOCK CODE	DESCRIPTION	QTY RQD	UNIT OF MEASURE	REMARKS
1	FJ0615	Termination Kit, for 120 to 240mm ² cable	1	ea	

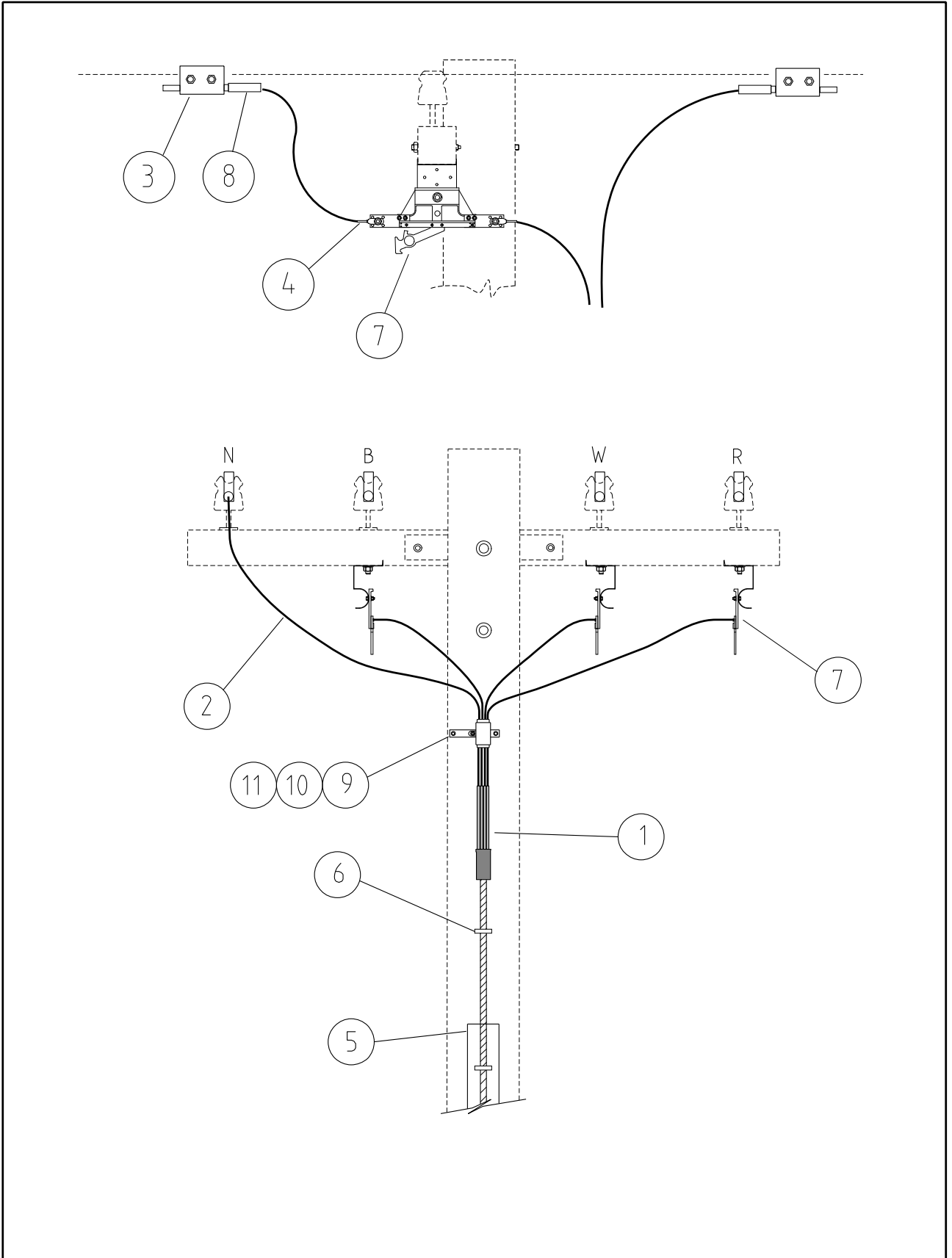


				COMPATIBLE UNIT			DISTRIBUTION DESIGN CATALOGUE			
				TITLE			DRAWN: JRR		DATE: 15-04-2014	
				STRAIGHT JOINT 25/25			ORIGINATED:		SCALE: NTS	
							CHECKED: REE		REV. D	
							APPROVED: GRANT STACY		SHT.	
									DRG. No. LU08	
REV	DATE	DESCRIPTION	ORGD.	CHKD.	APRD.					
D	19 09 22	JOINT KIT CHANGED	SH	CO	GS					
C	30 10 18	DRAWING MODIFIED	CO	NMc	GS					
B	21.01.99	ORIGINAL ISSUE								

CU	CU Description
-----------	-----------------------

LU8	Straight joint 25/25
------------	-----------------------------

ITEM NUMBER	STOCK CODE	DESCRIPTION	QTY RQD	UNIT OF MEASURE	REMARKS
1	FJ0058	straight jLU08oint kit	1	ea	



				COMPATIBLE UNIT			DISTRIBUTION DESIGN CATALOGUE			
				TITLE			DRAWN: JRR DATE: 15-04-2014 DRG. No.			
				120 TO 240mm ²			ORIGINATED: SCALE: NTS		LU09	
				CABLE TO LV ISOLATORS			CHECKED: REE		REV. E SHT.	
							APPROVED: GRANT STACY			
REV	DATE	DESCRIPTION	ORGD.	CHKD.	APPRD.					
E	23.08.17	ISOLATOR REVISED, LV ABC SUPPORT ADDED	CO	JC	GS					
D	21.01.99	ORIGINAL ISSUE								

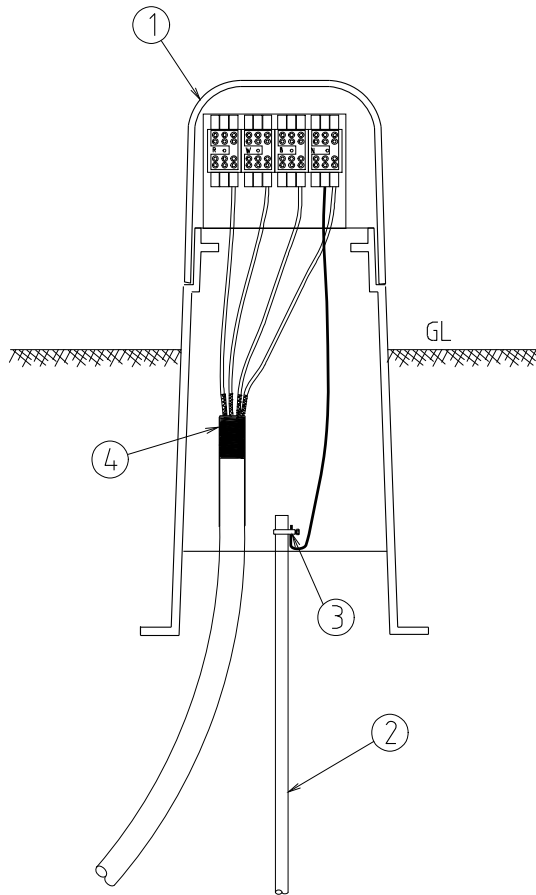
CU	CU Description
-----------	-----------------------

LU9_1200		Aerial cable termination for a 120mm cable			
ITEM NUMBER	STOCK CODE	DESCRIPTION	QTY RQD	UNIT OF MEASURE	REMARKS
3	CC0138	par groove clamp	4	ea	
4	FL0401	ABC 95 lug	6	ea	
5	HT6320	cable protector	1	ea	
6	GC7195	Conduit strap	3	ea	
7	GS0062	underslung isolator 630A	3	ea	
8	CJ0494	ABC 95 splice Alumin tail	4	ea	
9	CB3055	Bracket	1	ea	
10	CC0101	Conductor Suspension clamp	1	ea	
11	AS1440	Coach Screw	2	ea	

LU9_120U		U/G cable termination 120mm			
ITEM NUMBER	STOCK CODE	DESCRIPTION	QTY RQD	UNIT OF MEASURE	REMARKS
1	FC0499	splice 120 to 95 ABC	1	ea	
2	FT0095	ABC 95 4m long	1	ea	

LU9_2400		Aerial cable termination for a 240mm cable			
ITEM NUMBER	STOCK CODE	DESCRIPTION	QTY RQD	UNIT OF MEASURE	REMARKS
3	CC0138	par groove clamp	4	ea	
4	FL0402	ABC 150 lug	6	ea	
5	HT6320	cable protector	1	ea	
6	GC7195	Conduit strap	3	ea	
7	GS0062	underslung isolator 630A	3	ea	
8	CJ0496	ABC 150 splice Alu tail	4	ea	
9	CB3055	Bracket	1	ea	
10	CC0110	Conductor Suspension clamp	1	ea	
11	AS1440	Coach Screw	2	ea	

LU9_240U		U/G cable termination 185mm			
ITEM NUMBER	STOCK CODE	DESCRIPTION	QTY RQD	UNIT OF MEASURE	REMARKS
1	FC0499	splice 150 ABC to 240	1	ea	
2	FT0150	ABC 150 4m long	1	ea	



				COMPATIBLE UNIT			DISTRIBUTION DESIGN CATALOGUE					
				TITLE			DRAWN: JRR		DATE: 15-04-2014		DRG. No.	
				MINI PILLAR & TERMINATIONS			ORIGINATED:		SCALE: NTS		LU10	
							CHECKED: REE					
							APPROVED: GRANT STACY				REV. H	
REV	DATE	DESCRIPTION	ORGD.	CHKD.	APPRD.					SHT.		
H	22.12.21	REVISED TO SUIT NEW MINI PILLAR	REE	CO	GS							
G	17.06.21	THE ITEM FB0073 DELETED	MHJ	CO	GS							
F	31.07.17	REVISED TO SUIT NEW MINI PILLAR	NMc	JC	GS							

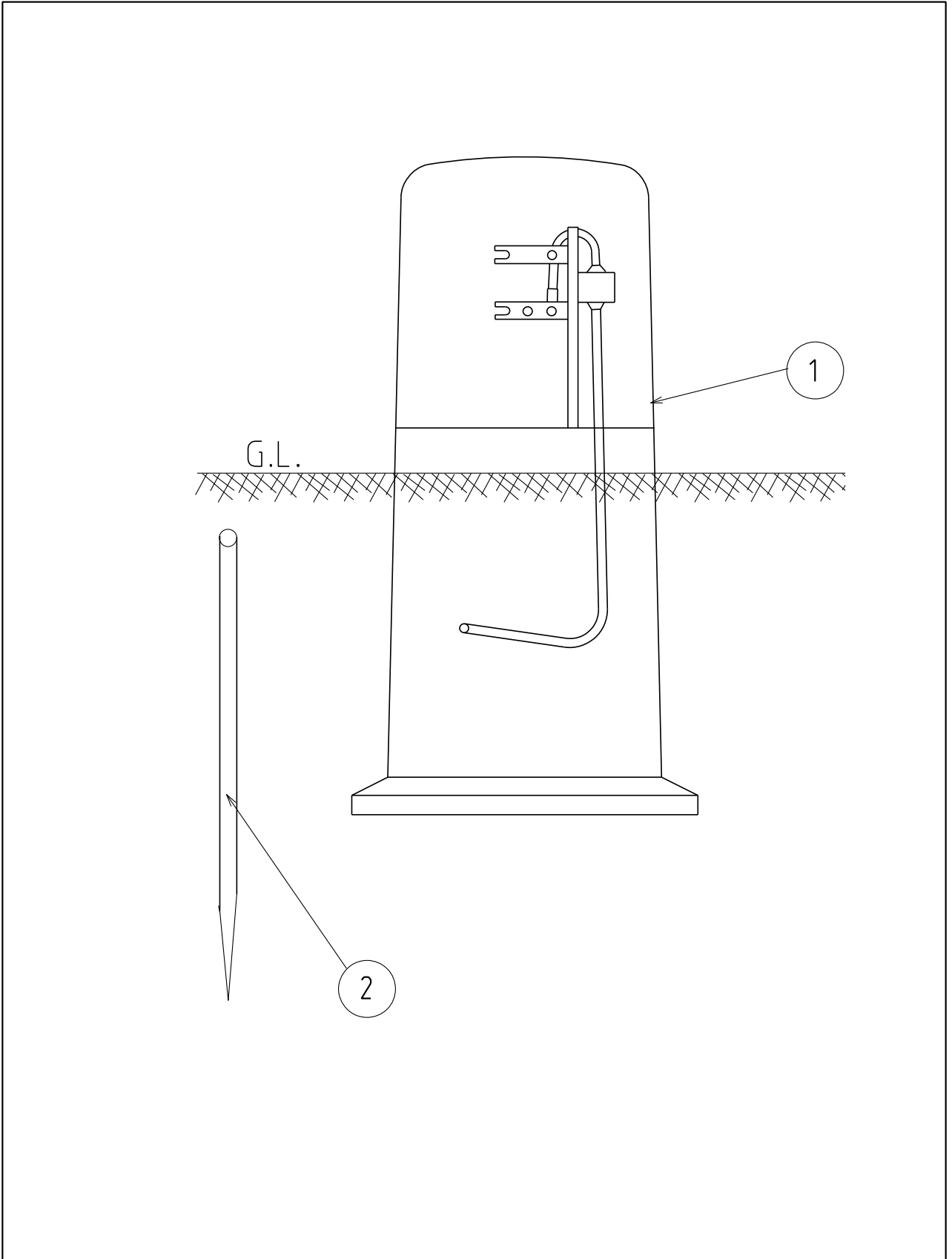
CU	CU Description
-----------	-----------------------

LU10 Mini pillar & 1 x 25mm cable termination					
ITEM NUMBER	STOCK CODE	DESCRIPTION	QTY RQD	UNIT OF MEASURE	REMARKS
1	FB0059	Mini pillar	1	ea	
2	CE0135	Earth rod	1	ea	
3	CE0055	Earth clamp	1	ea	
4	FE0109	Heat shrink glove and sleeving	1	ea	

Note- Add CR0324 label for 240V / 480V

LU10_2TERM Mini pillar & 2 x 25mm cable termination					
ITEM NUMBER	STOCK CODE	DESCRIPTION	QTY RQD	UNIT OF MEASURE	REMARKS
1	FB0059	Mini pillar	1	ea	
2	CE0135	Earth rod	1	ea	
3	CE0055	Earth clamp	1	ea	
4	FE0109	Heat shrink glove and sleeving	2	ea	

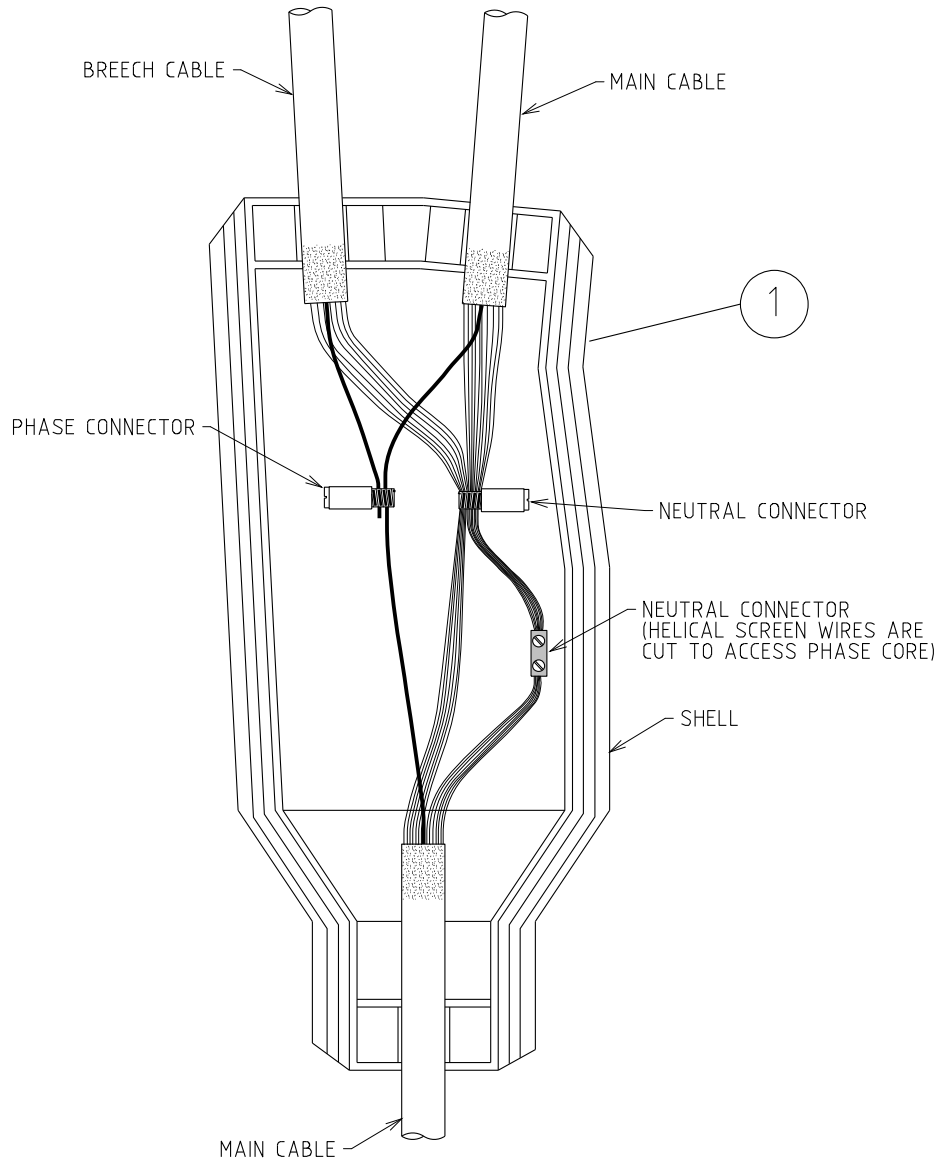
Note- Add CR0324 label for 240V / 480V



				COMPATIBLE UNIT			DISTRIBUTION DESIGN CATALOGUE		westernpower	
				TITLE			DRAWN: JRR		DATE: 15-04-2014	
				UNIVERSAL PILLAR			ORIGINATED:		SCALE: NTS	
							CHECKED: REE		DRG. No. LU11	
							APPROVED: GRANT STACY		REV. C	
REV	DATE	DESCRIPTION	ORGD.	CHKD.	APRD.					
C	13.03.18	FORMAT CHANGED		REE	JC	GS				
B	21.01.99	ORIGINAL ISSUE								

CU	CU Description
-----------	-----------------------

LU11 Universal pillar					
ITEM NUMBER	STOCK CODE	DESCRIPTION	QTY RQD	UNIT OF MEASURE	REMARKS
1	FB0855	universal pillar	1	ea	
2	CE0135	earth rod	1	ea	
2	CE0058	earth clamp	1	e	

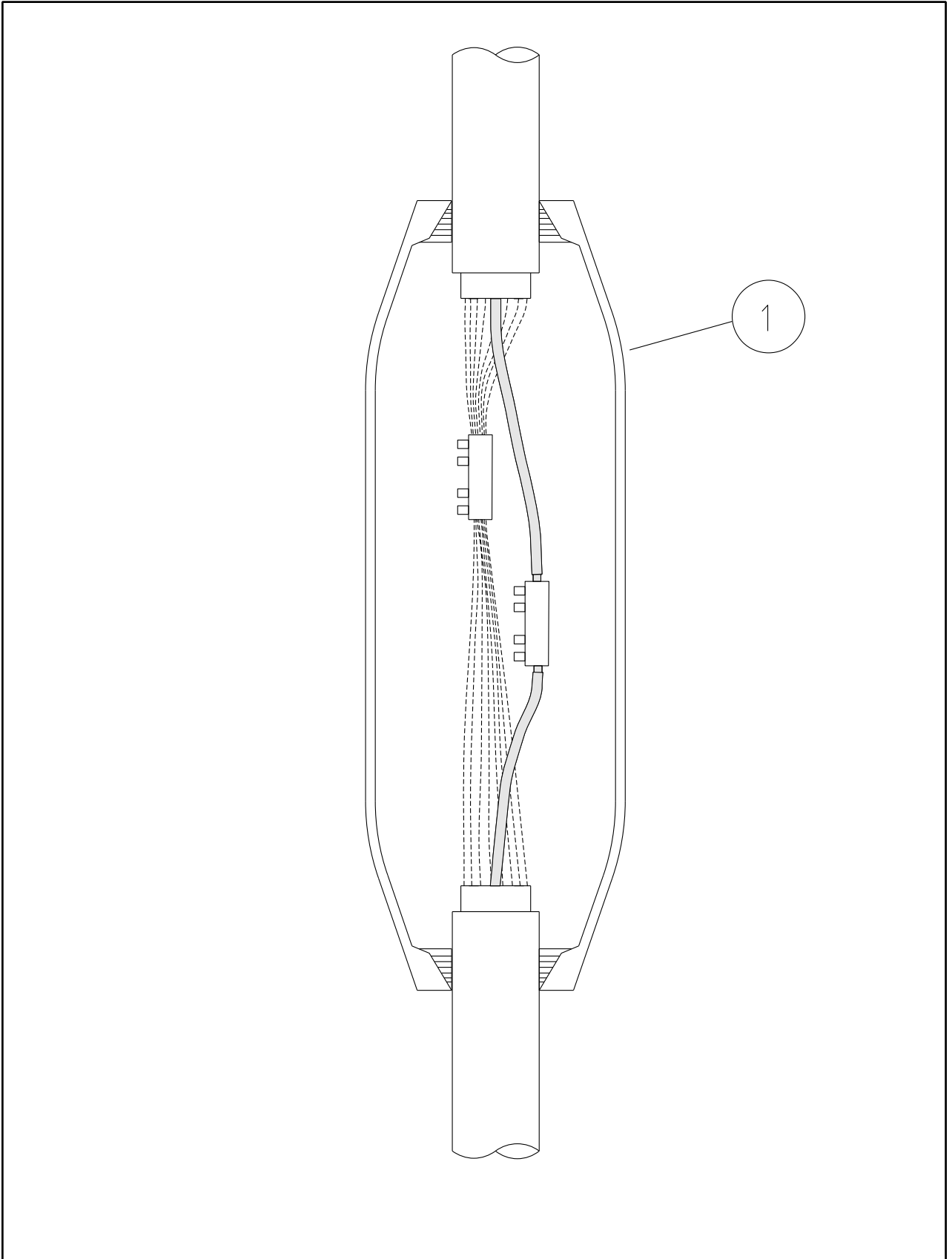


				COMPATIBLE UNIT			DISTRIBUTION DESIGN CATALOGUE				
				TITLE			DRAWN: JRR		DATE: 15-04-2014		DRG. No.
				TEE JOINT 10/10, 10/16 & 16/16			ORIGINATED:		SCALE: NTS		LU12
C 12.12.18 REDRAWN TO SUIT NEW JOINT BOX				CO	FK	GS	CHECKED: REE		APPROVED:		REV. C
B 21.01.99 ORIGINAL ISSUE				DRG.	CHKD.	APRD.	GRANT STACY		SHT.		
REV	DATE	DESCRIPTION				DRG.	CHKD.	APRD.			

CU	CU Description
-----------	-----------------------

LU12	Tee joint 10/10-10/16-16/16
-------------	------------------------------------

ITEM NUMBER	STOCK CODE	DESCRIPTION	QTY RQD	UNIT OF MEASURE	REMARKS
1	FJ0056	tee joint	1	ea	

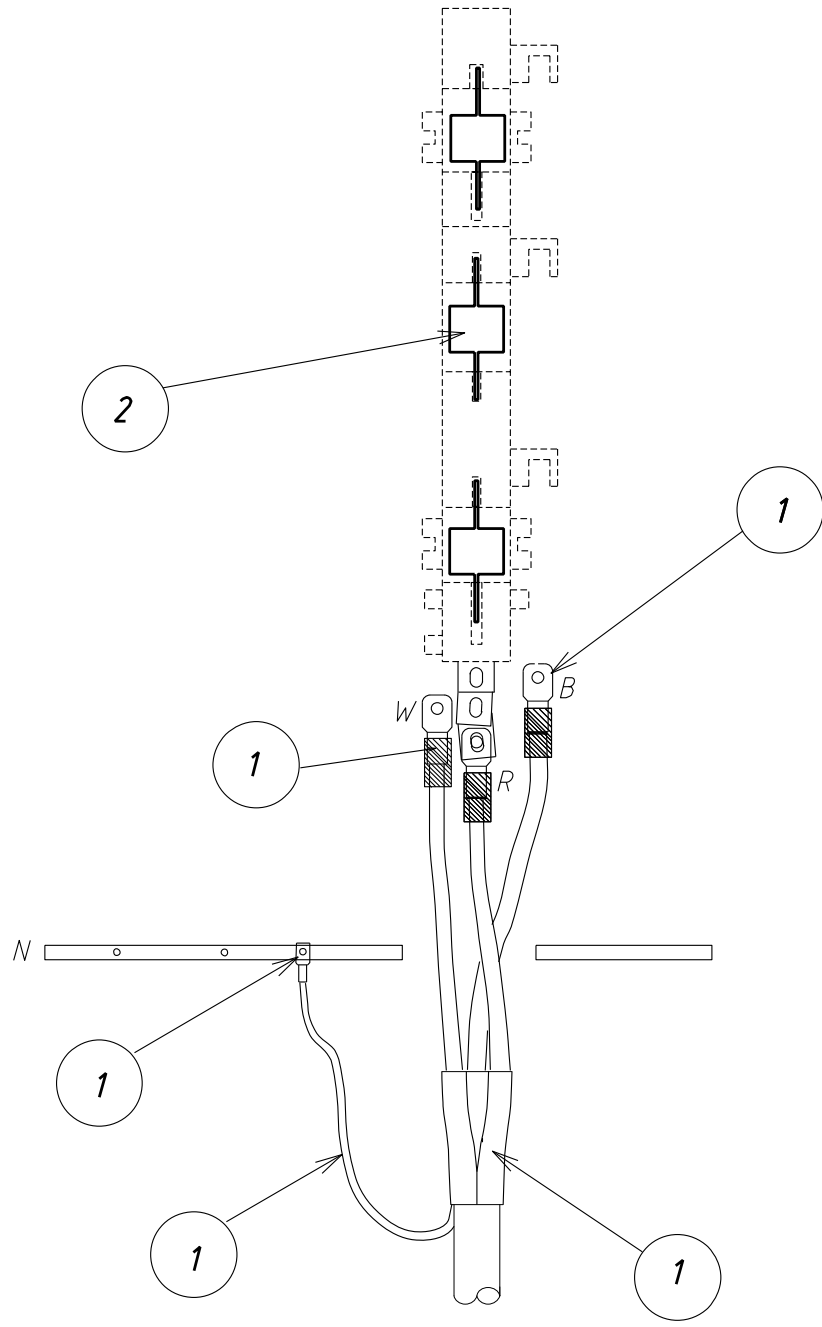


					COMPATIBLE UNIT		DISTRIBUTION DESIGN CATALOGUE			
					TITLE		DRAWN: JRR		DATE: 15-04-2014	
					STRAIGHT JOINT		ORIGINATED:		SCALE: NTS	
					10/10, 10/16 & 16/16		CHECKED: REE		DRG. No.	
							APPROVED: GRANT STACY		REV. D	
									LU13	
REV	DATE	DESCRIPTION	ORGD.	CHKD.	APRD.					
D	19 09 22	JOINT KIT CHANGED	SH	CO	GS					
C	30 10 18	DRAWING MODIFIED	CO	NMc	GS					
B	21 01 99	ORIGINAL ISSUE								

CU	CU Description
-----------	-----------------------

LU13	Straight joint 10/10-10/16-16/16
-------------	---

ITEM NUMBER	STOCK CODE	DESCRIPTION	QTY RQD	UNIT OF MEASURE	REMARKS
1	FJ0055	straight joint kit	1	ea	



				COMPATIBLE UNIT		DISTRIBUTION DESIGN CATALOGUE		westernpower	
				TITLE		DRAWN: JRR DATE: 15-04-2014 DRG. No.		LU14	
				CABLE TO FUSE SWITCH		ORIGINATED: SCALE: NTS			
						CHECKED: REE		REV. D	
						APPROVED: GRANT STACY		SHT.	
D	22.04.02	ORIGINAL ISSUE		ORGD	CHKD	JAPRD			
REV	DATE	DESCRIPTION							

CU	CU Description
-----------	-----------------------

LU14_16/160A		Cable to fuse switch – 16 (Single phase)/160A Base			
ITEM NUMBER	STOCK CODE	DESCRIPTION	QTY RQD	UNIT OF MEASURE	REMARKS
1	FB0256	16mm ² M10 lug	2	ea	
1	FE0112	16mm ² Cable term kit	1	ea	
2	GF0502	Fuse 20A	1	ea	

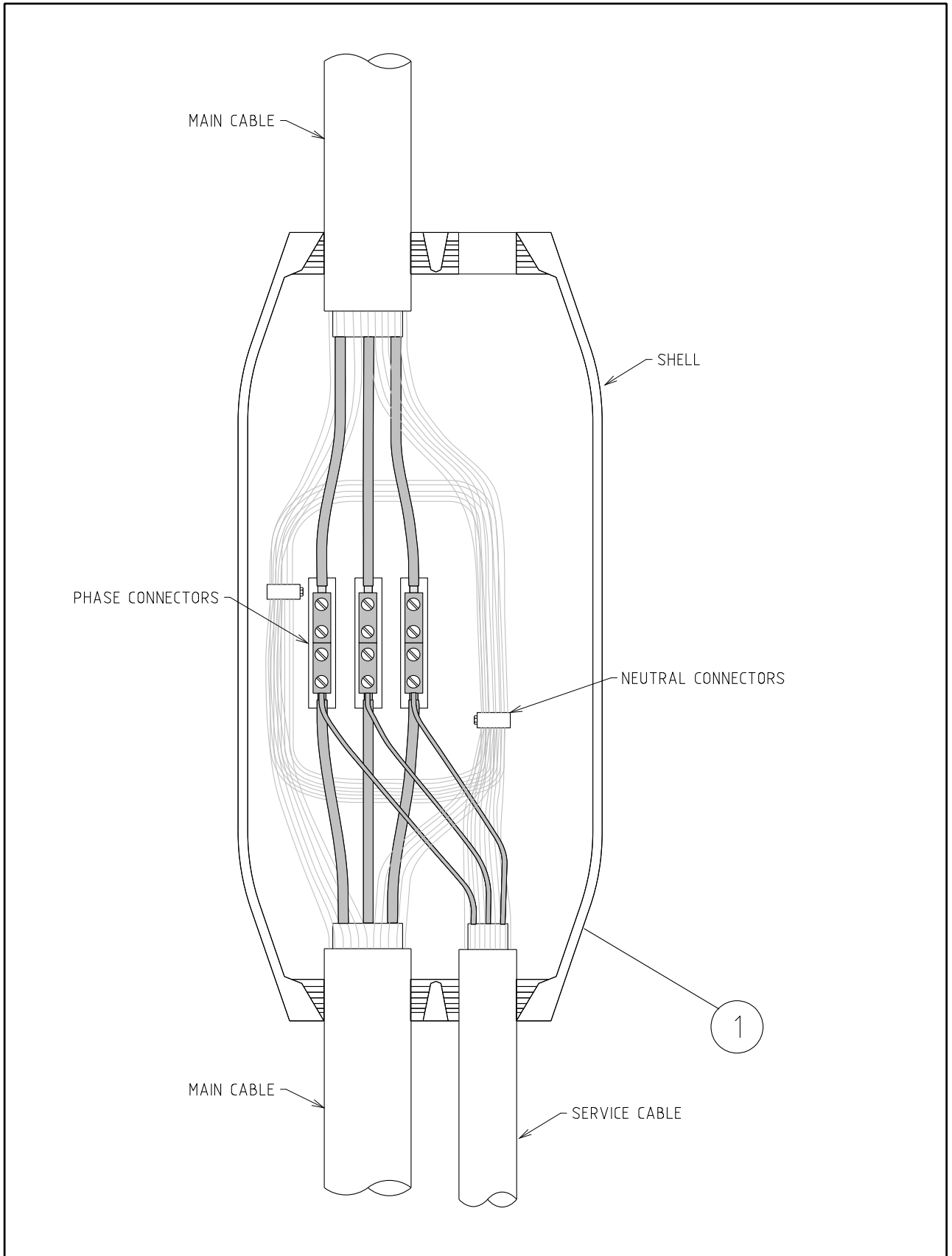
LU14_25/160A		Cable to fuse switch – 25/160A Base			
ITEM NUMBER	STOCK CODE	DESCRIPTION	QTY RQD	UNIT OF MEASURE	REMARKS
1	FL1442	25mm ² M8 lug	4	ea	
1	FE0109	25mm ² Cable term kit	1	ea	
2	GF0504	Fuse 63A	3	ea	

LU14_25/630A		Cable to fuse switch – 25/630A Base			
ITEM NUMBER	STOCK CODE	DESCRIPTION	QTY RQD	UNIT OF MEASURE	REMARKS
1	FL1449	25mm ² M12 lug	4	ea	
1	FE0109	25mm ² Cable term kit	1	ea	
2	GF2130	Fuse 100A	4	ea	

LU14_120		Cable to fuse switch – 120			
ITEM NUMBER	STOCK CODE	DESCRIPTION	QTY RQD	UNIT OF MEASURE	REMARKS
1	FJ0615	Termination Kit, for 120 to 240mm ² cable	1	ea	
2	GF1096	fuse 200 amp	3	ea	

LU14_185		Cable to fuse switch – 185			
ITEM NUMBER	STOCK CODE	DESCRIPTION	QTY RQD	UNIT OF MEASURE	REMARKS
1	FJ0615	Termination Kit, for 120 to 240mm ² cable	1	ea	
2	GF1101	fuse 315 amp	3	ea	

LU14_240		Cable to fuse switch – 240			
ITEM NUMBER	STOCK CODE	DESCRIPTION	QTY RQD	UNIT OF MEASURE	REMARKS
1	FJ0615	Termination Kit, for 120 to 240mm ² cable	1	ea	
2	GF1101	fuse 315 amp	3	ea	



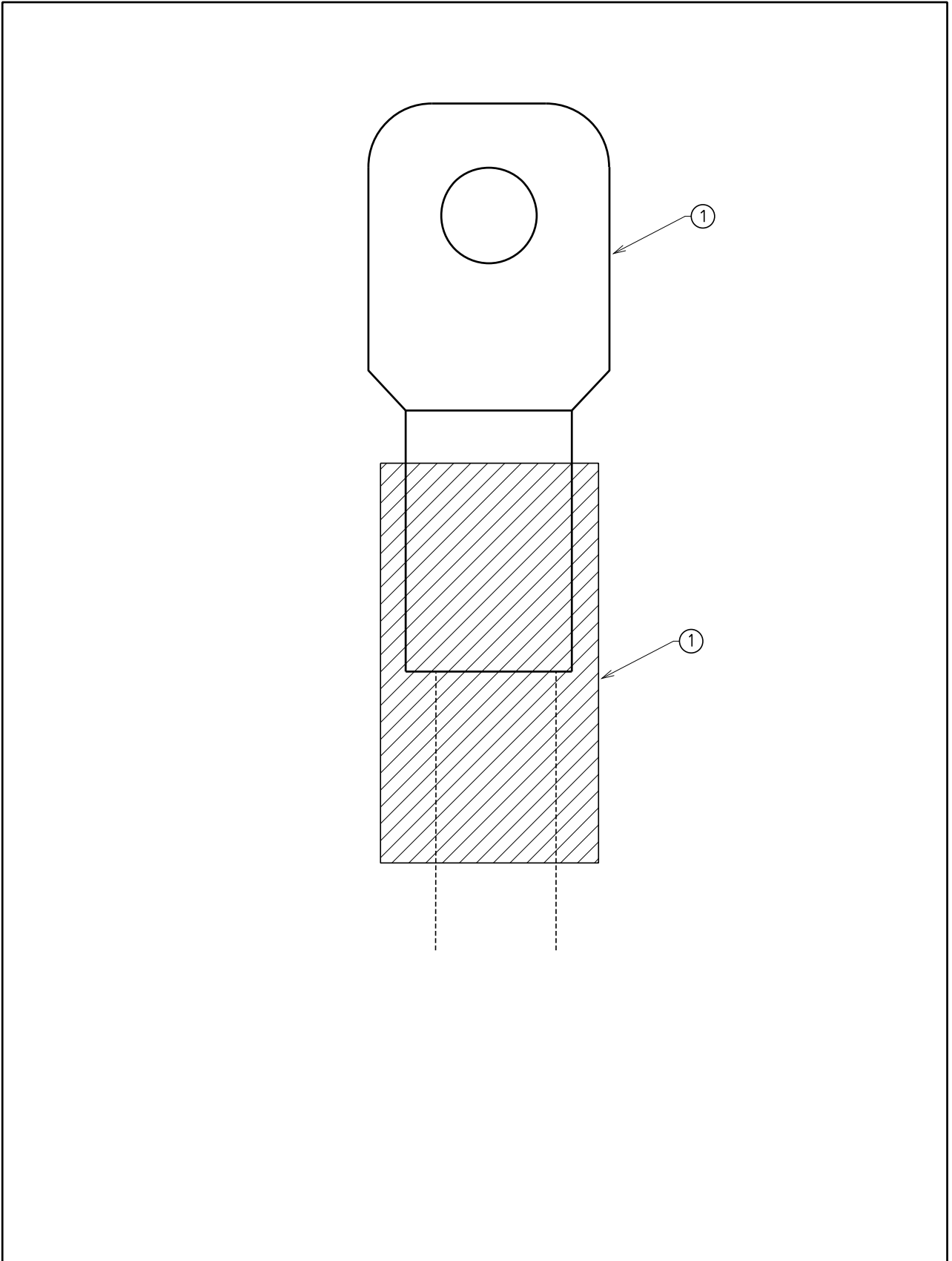
				COMPATIBLE UNIT		DISTRIBUTION DESIGN CATALOGUE		westernpower	
				TITLE		DRAWN: JRR		DATE: 03-12-2018	
				STRAIGHT JOINT WITH SERVICE TEE		ORIGINATED: CO		SCALE: NTS	
				25/120, 25/185 & 25/240		CHECKED: FK		DRG. No. LU15	
				REV. DATE		APPROVED: GRANT STACY		REV. A	
				DESCRIPTION		ORGD. CHKD. APRD.		SHT.	



Uncontrolled document when printed. Printed copy expires one week from print date.

CU	CU Description
-----------	-----------------------

LU15 Straight joint with service tee 25/120, 25/185 & 25/240					
ITEM NUMBER	STOCK CODE	DESCRIPTION	QTY RQD	UNIT OF MEASURE	REMARKS
1	FJ0070	Straight joint with service	1	ea	
2	KC0014	2-part guroflex resin	5	ea	



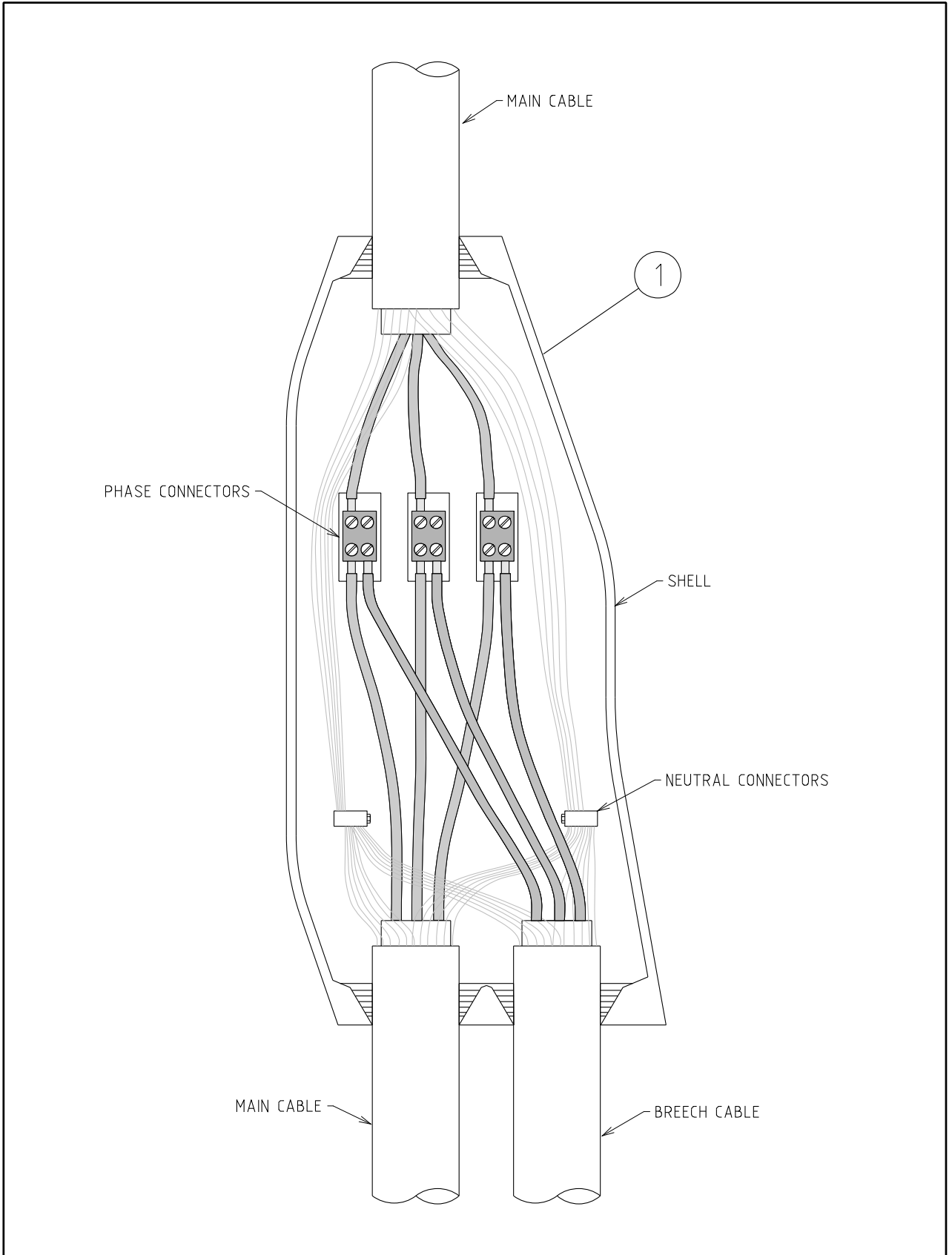
				COMPATIBLE UNIT			DISTRIBUTION DESIGN CATALOGUE		westernpower	
				TITLE			DRAWN: JRR		DATE: 07-11-2019	
				TRANSFORMER LV CABLE TERMINATION			ORIGINATED: CO		SCALE: NTS	
							CHECKED: NMc		REV. A	
							APPROVED: GRANT STACY		SHT.	
									LU16	
A	21.11.19	ORIGINAL ISSUE		CO	NMc	GS				
REV	DATE	DESCRIPTION		DRGD.	CHKD.	APPRD.				

CU	CU Description
-----------	-----------------------

LU16_400CU16 Transformer 400mm² Cu M16 Termination Kit					
ITEM NUMBER	STOCK CODE	DESCRIPTION	QTY RQD	UNIT OF MEASURE	REMARKS
1	FL0161	Termination Kit (2 per phase and 1 neutral with heat shrink)	1	ea	

LU16_400CU12 PENDA 400mm² Cu M12 Termination Kit					
ITEM NUMBER	STOCK CODE	DESCRIPTION	QTY RQD	UNIT OF MEASURE	REMARKS
1	FL0160	Termination Kit (2 per phase and 1 neutral with heat shrink)	1	ea	

LU16_630AL16 Transformer 630mm² Al M16 Termination Kit					
ITEM NUMBER	STOCK CODE	DESCRIPTION	QTY RQD	UNIT OF MEASURE	REMARKS
1	FL0159	Lug for 630mm ² Aluminium cable	7	ea	



				TITLE			COMPATIBLE UNIT		DISTRIBUTION DESIGN CATALOGUE		westernpower	
				BREECHES JOINT			DRAWN: JRR		DATE: 15-04-2014		DRG. No.	
				240/240 & 185/240			ORIGINATED:		SCALE: NTS		LU19	
							CHECKED: REE				REV. C	
							APPROVED:		GRANT STACY		SHT.	
REV	DATE	DESCRIPTION	DRG.	CHKD.	APPR.							
C	12.12.18	REDRAWN TO SUIT NEW JOINT BOX	CO	FK	GS							
B	21.01.99	ORIGINAL ISSUE										

CU	CU Description
-----------	-----------------------

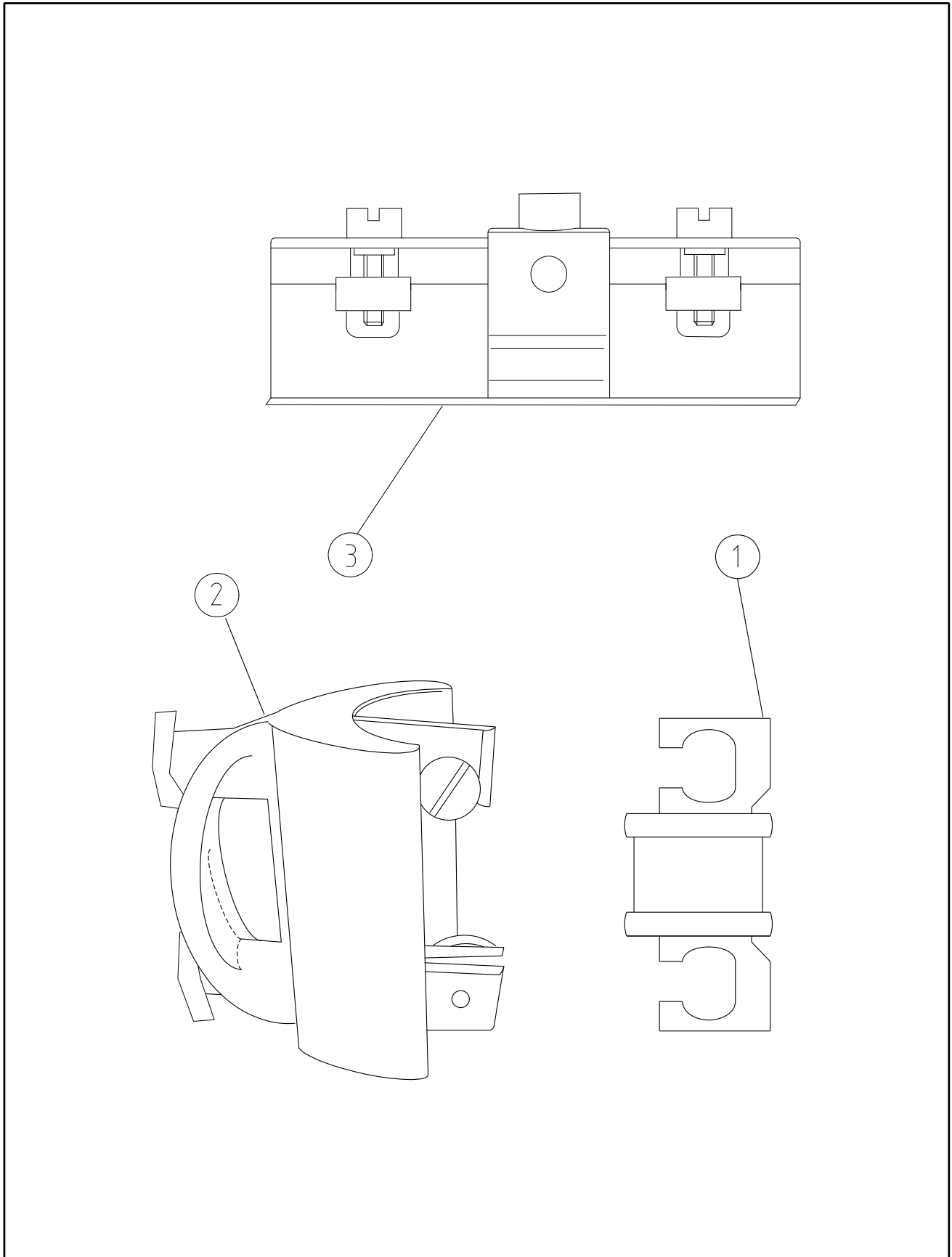
LU19 Breeches joint 240/240					
ITEM NUMBER	STOCK CODE	DESCRIPTION	QTY RQD	UNIT OF MEASURE	REMARKS
1	FJ0063	breeches joint (Kit only)	1	ea	
1	KC0014	2-part guroflex resin	5	ea	

CU	CU Description
-----------	-----------------------

LU34		Wall mounted box – 100amp			
ITEM NUMBER	STOCK CODE	DESCRIPTION	QTY RQD	UNIT OF MEASURE	REMARKS
1	FB0096	100 amp cutout	1	ea	
2	GF0505	fuse 100amp	3	ea	
3	FM6310	saddle 50mm	3	ea	
4	GC0025	conduit 50mm 4m lg	1	lg	

CU	CU Description
-----------	-----------------------

LU35		Wall mounted box – 200amp			
ITEM NUMBER	STOCK CODE	DESCRIPTION	QTY RQD	UNIT OF MEASURE	REMARKS
1	FB0097	200 amp cutout	1	ea	
2	GF0512	fuse 200amp	3	ea	
3	GC0028	conduit 80mm 4m lg	1	lg	



				TITLE		COMPATIBLE UNIT		DISTRIBUTION DESIGN CATALOGUE		westernpower	
				LV FUSES/LINK FOR UNIVERSAL PILLAR				DRAWN: JRR DATE: 14-04-2014 DRG. No.		LU36	
								ORIGINATED: SCALE: NTS			
								CHECKED: REE		REV. B	
								APPROVED: GRANT STACY		SHT.	
B	08.08.01	ORIGINAL ISSUE									
REV	DATE	DESCRIPTION		ORGD.	CHKD.	APRD.					

CU	CU Description
-----------	-----------------------

LU36_63A J-type fuse 63A and carrier for universal pillar					
ITEM NUMBER	STOCK CODE	DESCRIPTION	QTY RQD	UNIT OF MEASURE	REMARKS
1	GF1183	63A fuse	3	ea	
2	GF0260	fuse carrier	3	ea	

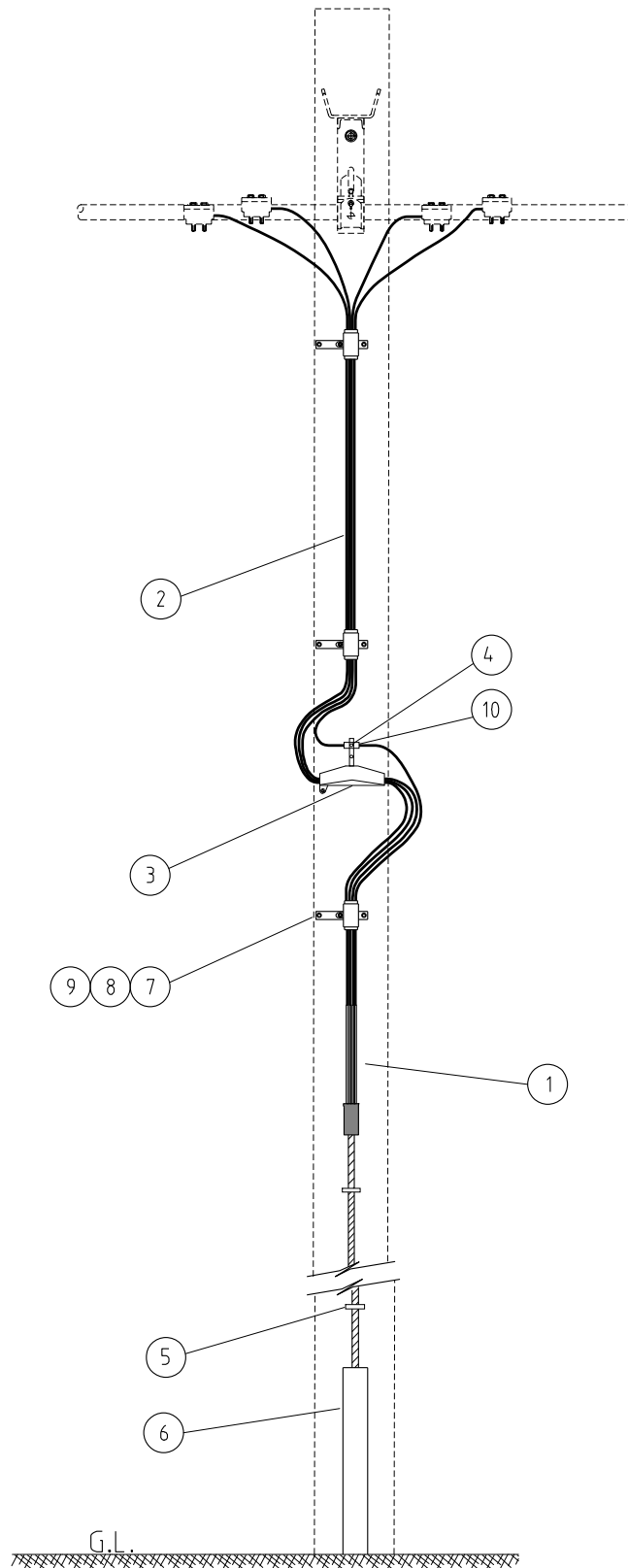
LU36_100A J-type fuse 100A and carrier for universal pillar					
ITEM NUMBER	STOCK CODE	DESCRIPTION	QTY RQD	UNIT OF MEASURE	REMARKS
1	GF1185	100A fuse	3	ea	
2	GF0260	fuse carrier	3	ea	

LU36_160A J-type fuse 160A and carrier for universal pillar					
ITEM NUMBER	STOCK CODE	DESCRIPTION	QTY RQD	UNIT OF MEASURE	REMARKS
1	GF1187	160A fuse	3	ea	
2	GF0260	fuse carrier	3	ea	

LU36_200A J-type fuse 200A and carrier for universal pillar					
ITEM NUMBER	STOCK CODE	DESCRIPTION	QTY RQD	UNIT OF MEASURE	REMARKS
1	GF1188	200A fuse	3	ea	
2	GF0260	fuse carrier	3	ea	

LU36_315A J-type fuse 315A and carrier for universal pillar					
ITEM NUMBER	STOCK CODE	DESCRIPTION	QTY RQD	UNIT OF MEASURE	REMARKS
1	GF1190	315A fuse	3	ea	
2	GF0260	fuse carrier	3	ea	

LU36_LINK Link 400 amp for universal pillar					
ITEM NUMBER	STOCK CODE	DESCRIPTION	QTY RQD	UNIT OF MEASURE	REMARKS
3	GF1504	link 400A	3	ea	



				COMPATIBLE UNIT			DISTRIBUTION DESIGN CATALOGUE					
				TITLE			DRAWN: JRR		DATE: 14-04-2014		ORG. No.	
				120 TO 240mm ²			ORIGINATED:		SCALE: NTS		LU37	
				CABLE TO LV ABC SWITCH			CHECKED: REE		APPROVED:		REV. C	
							GRANT STACY				SHT.	
REV	DATE	DESCRIPTION	ORGD.	CHKD.	APRD.							
C	13.11.17	NEUTRAL BLOCK ADDED	CO	JC	GS							
B	23.08.17	LV ABC SUPPORTS ADDED, CONNECTION DETAILS CLARIFIED	CO	JC	GS							
A	21.01.99	ORIGINAL ISSUE										



Uncontrolled document when printed. Printed copy expires one week from print date.

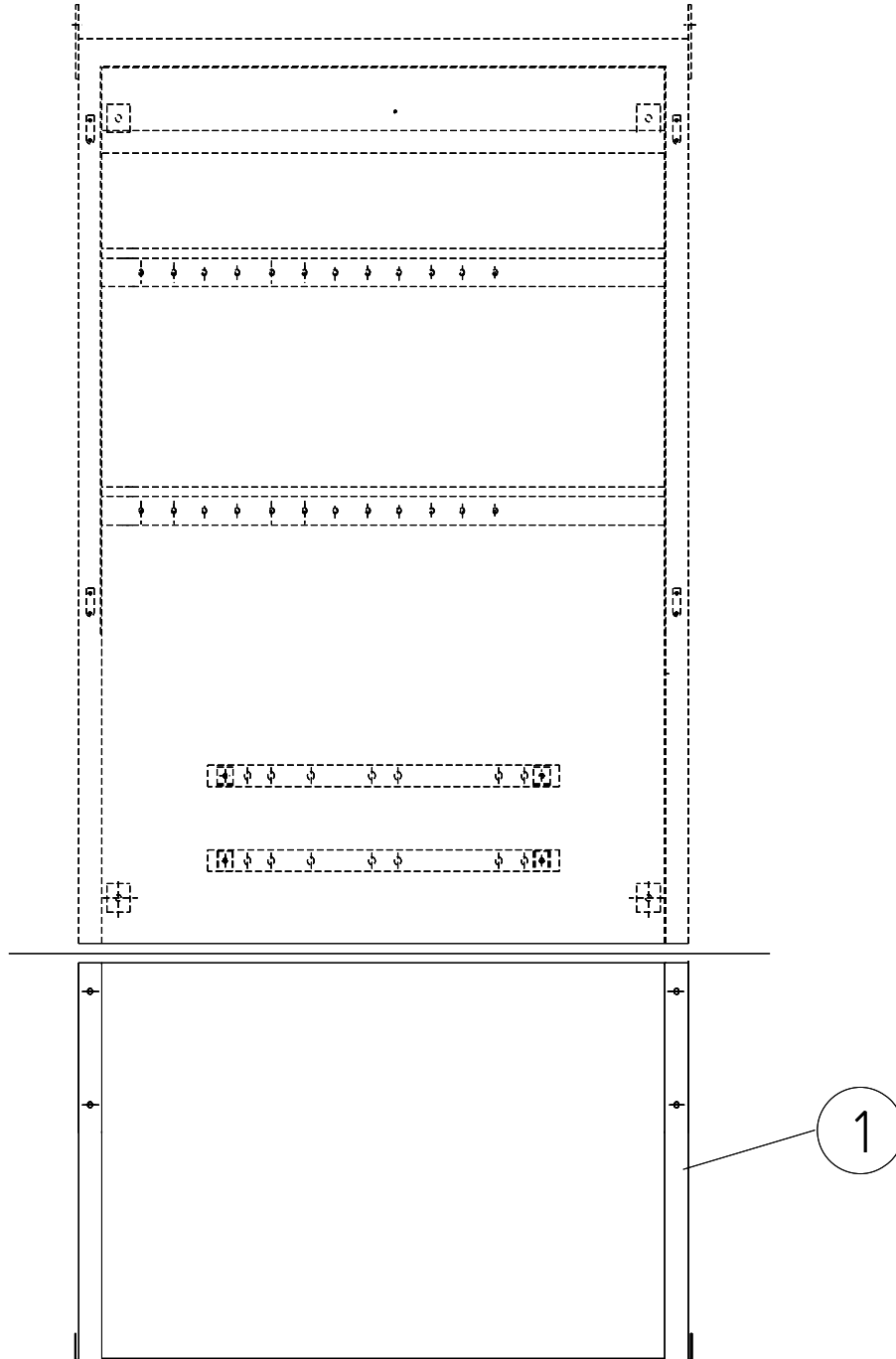
CU	CU Description
-----------	-----------------------

LU37_1200 Aerial termination for a 120mm cable					
ITEM NUMBER	STOCK CODE	DESCRIPTION	QTY RQD	UNIT OF MEASURE	REMARKS
3	GS0111	fuse switch 400A ABC	1	ea	
4	AB6732	Pole bolt – 16dia x 550 mm lg with nut and washers	2	ea	
5	GC7193	32mm saddle	3	ea	
6	HT6320	cable protector	1	ea	
7	CB3055	Bracket	3	ea	
8	CC0101	Conductor Suspension clamp	3	ea	
9	AS1440	Coach Screw	6	ea	
10	GS0109	Neutral Block	1	ea	

LU37_120U U/G termination 120mm cable					
ITEM NUMBER	STOCK CODE	DESCRIPTION	QTY RQD	UNIT OF MEASURE	REMARKS
1	FC0499	splice 120 to 95 ABC	1	ea	
2	FT0095	ABC 95 4m long	2	ea	

LU37_2400 Aerial termination for a 240mm cable					
ITEM NUMBER	STOCK CODE	DESCRIPTION	QTY RQD	UNIT OF MEASURE	REMARKS
3	GS0111	fuse switch 400A ABC	1	ea	
4	AB6732	Pole bolt – 16dia x 550 mm lg with nut and washers	2	ea	
5	GC7195	50mm saddle	3	ea	
6	HT6320	cable protector	1	ea	
7	CB3055	Bracket	3	ea	
8	CC0110	Conductor Suspension clamp	3	ea	
9	AS1440	Coach Screw	6	ea	
10	GS0109	Neutral Block	1	ea	

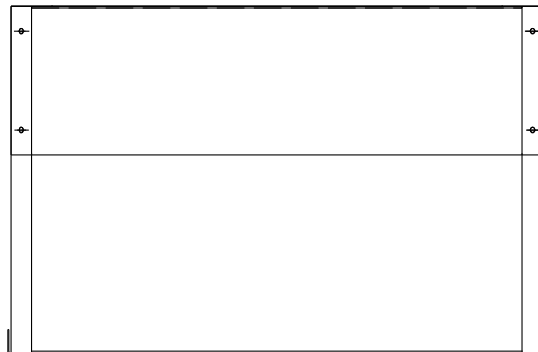
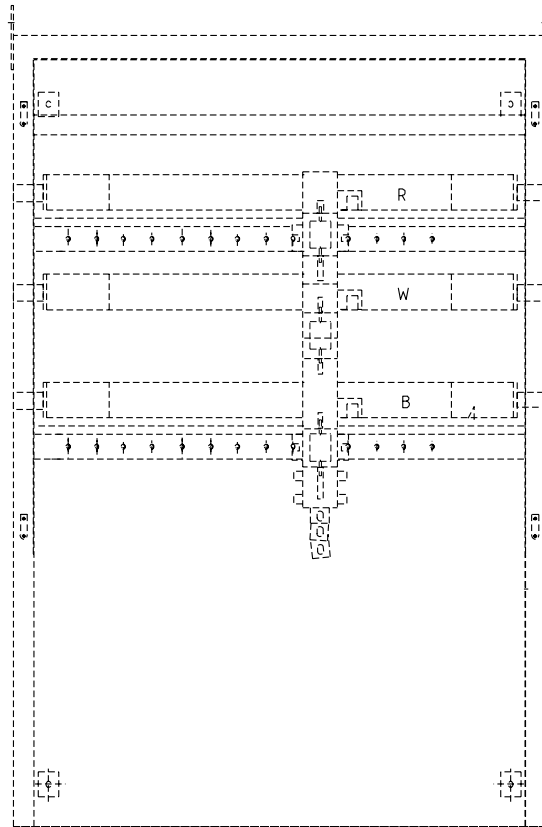
LU37_240U U/G termination 240mm cable					
ITEM NUMBER	STOCK CODE	DESCRIPTION	QTY RQD	UNIT OF MEASURE	REMARKS
1	FC0499	splice 150 ABC to 240	1	ea	
2	FT0150	ABC 150 4m long	2	ea	



				COMPATIBLE UNIT		DISTRIBUTION DESIGN CATALOGUE			
				TITLE		DRAWN: JRR		DATE: 14-04-2014	
				BASE FOR LV KIOSK TYPE 1		ORIGINATED:		SCALE: NTS	
						CHECKED: REE		ORG. No. LU41	
						APPROVED: GRANT STACY		REV. A	
								SHT.	
A	21.01.99	ORIGINAL ISSUE							
REV	DATE	DESCRIPTION		ORGD.	CHKD.	APRD.			

CU	CU Description
-----------	-----------------------

LU41 Base for LV kiosk type 1					
ITEM NUMBER	STOCK CODE	DESCRIPTION	QTY RQD	UNIT OF MEASURE	REMARKS
1	CB0493	feeder pillar base	1	ea	

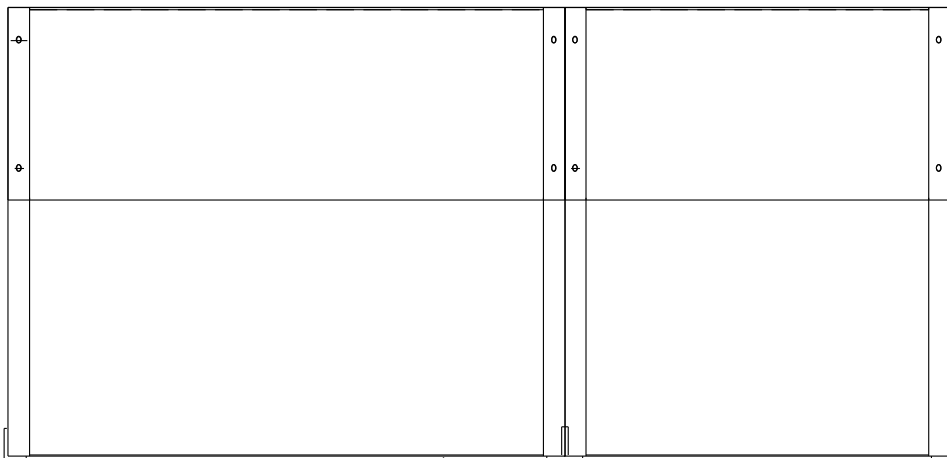
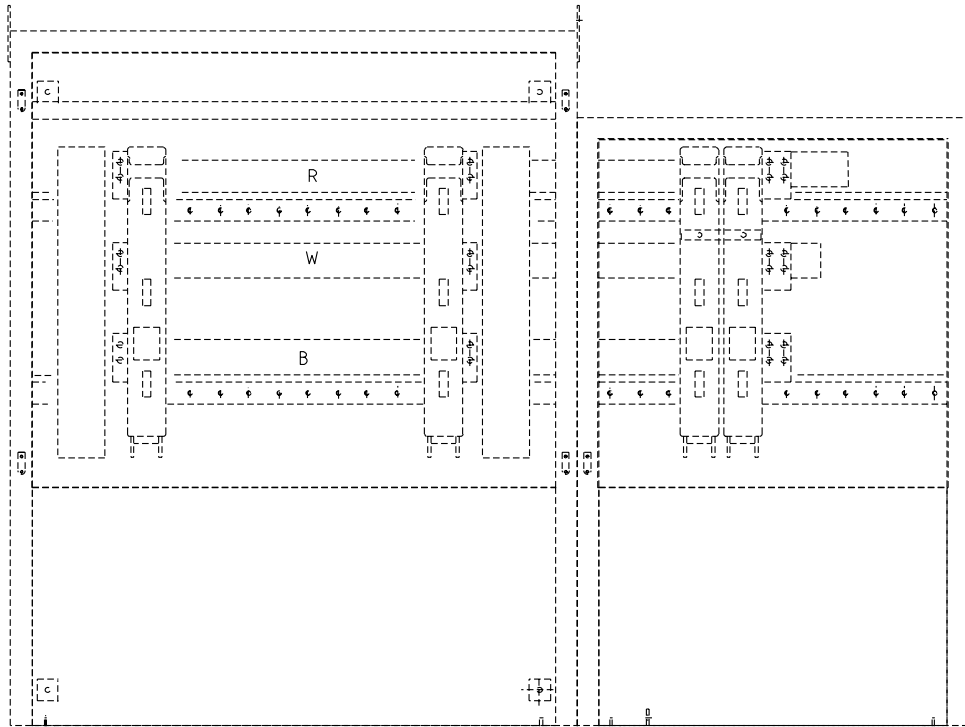


1

				COMPATIBLE UNIT		DISTRIBUTION DESIGN CATALOGUE			
				TITLE		DRAWN: JRR		DATE: 14-04-2014	
				BASE FOR LV KIOSK TYPE 2		ORIGINATED:		SCALE: NTS	
						CHECKED: REE		DRG. No. LU42	
						APPROVED: GRANT STACY		REV. A	
								SHT.	
A	21.01.99	ORIGINAL ISSUE		ORGO.	CHKD.	APPRO.			
REV	DATE	DESCRIPTION							

CU	CU Description
-----------	-----------------------

LU42 Base for LV kiosk type 2					
ITEM NUMBER	STOCK CODE	DESCRIPTION	QTY RQD	UNIT OF MEASURE	REMARKS
1	CB0495	cabinet base	1	ea	

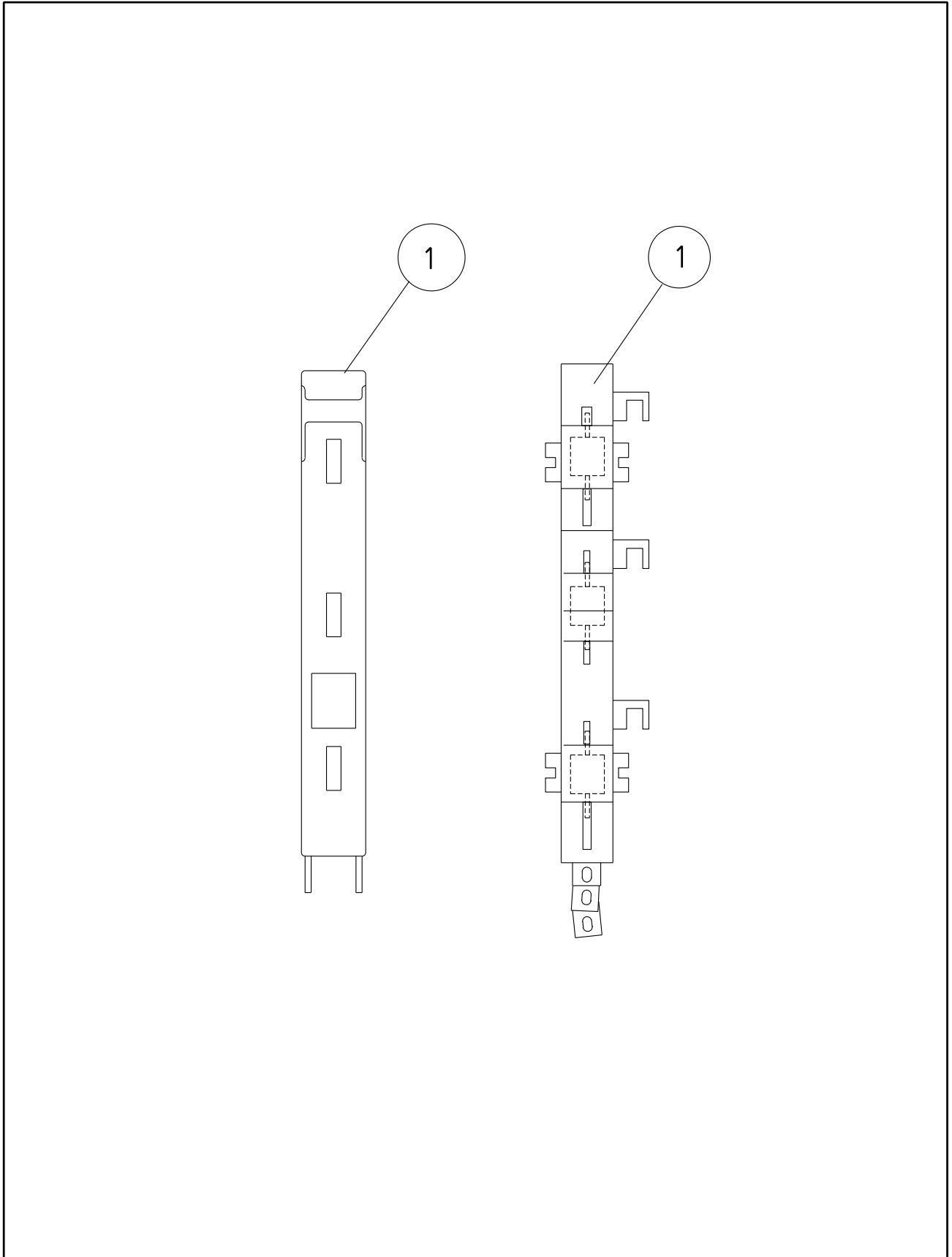


1

				COMPATIBLE UNIT		DISTRIBUTION DESIGN CATALOGUE			
				TITLE		DRAWN: JRR		DATE: 14-04-2014	
				BASE FOR LV KIOSK TYPE 3		ORIGINATED:		SCALE: NTS	
						CHECKED: REE		DRG. No.	
						APPROVED: GRANT STACY		LU43	
								REV. A	
								SHT.	
A	21.01.99	ORIGINAL ISSUE		ORGD.	CHKD.	APRD.			
REV	DATE	DESCRIPTION							

CU	CU Description
-----------	-----------------------

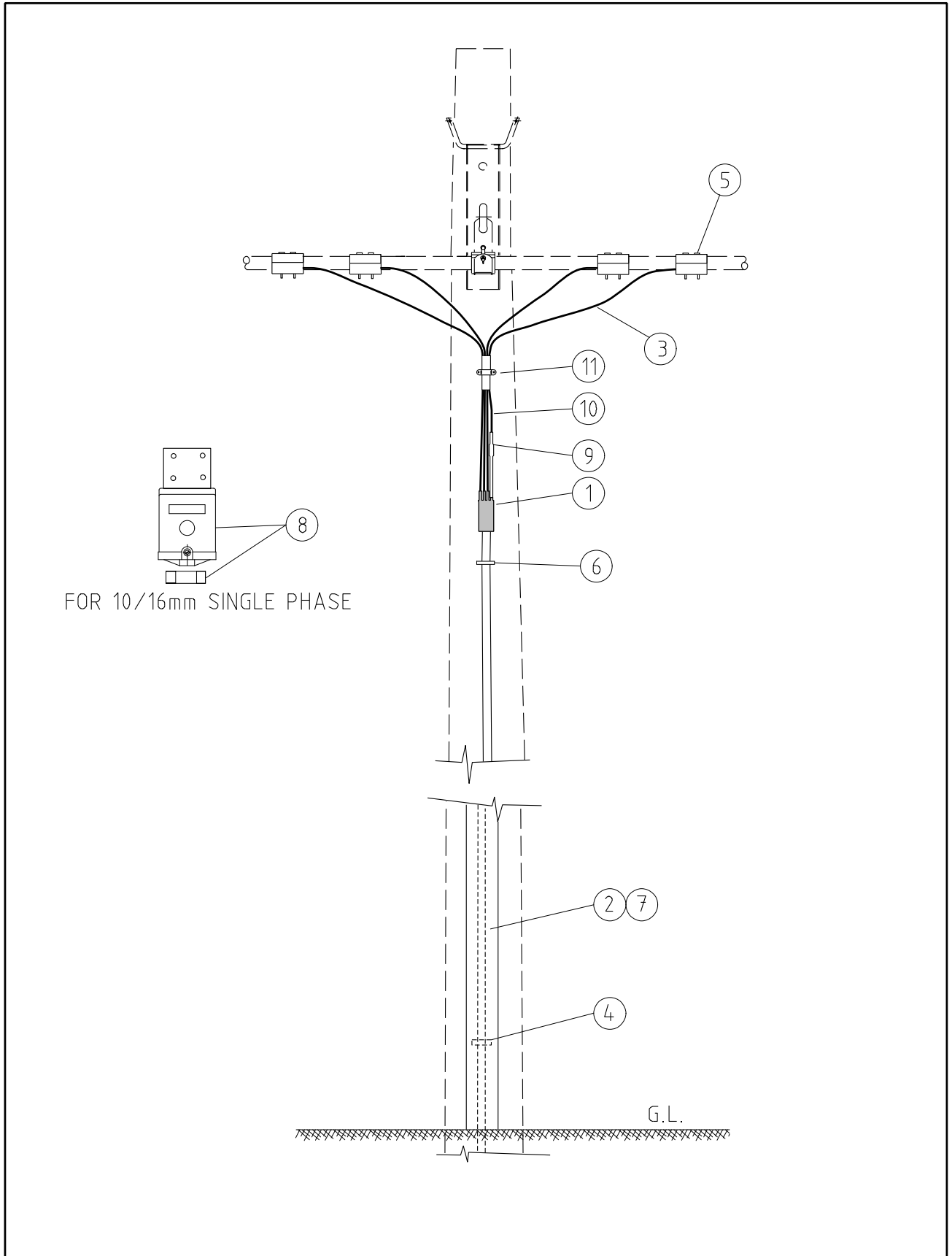
LU43 Base for LV kiosk type 3					
ITEM NUMBER	STOCK CODE	DESCRIPTION	QTY RQD	UNIT OF MEASURE	REMARKS
1	CB0493	feeder pillar base	1	ea	
2	CB0495	cabinet base	1	ea	



				COMPATIBLE UNIT		DISTRIBUTION DESIGN CATALOGUE			
				TITLE		DRAWN: JRR		DATE: 14-04-2014	
				FUSE SWITCH 400A COVER WITH 630A BASE		ORIGINATED:		SCALE: NTS	
						CHECKED: REE		DRG. No. LU44	
						APPROVED: GRANT STACY		REV. A	
A	21.01.99	ORIGINAL ISSUE		ORG.	CHKD.	APRD			
REV	DATE	DESCRIPTION							

CU	CU Description
-----------	-----------------------

LU44 Fuse switch 400 A cover with 630 A base					
ITEM NUMBER	STOCK CODE	DESCRIPTION	QTY RQD	UNIT OF MEASURE	REMARKS
1	FB0095	switch 630A base/400 A cover	1	ea	WPS to install



				COMPATIBLE UNIT			DISTRIBUTION DESIGN CATALOGUE		westernpower	
				TITLE			DRAWN: JRR		DATE: 14-04-2014	
				CABLE TO LV ABC 25mm XLPE			ORIGINATED:		SCALE: NTS	
							CHECKED: REE		DRG. No. LU50-1	
							APPROVED: GRANT STACY		REV. E	
REV	DATE	DESCRIPTION	ORGD.	CHKD.	APRD.			SHT.		
E	31.10.19	ADDED ITEM 10	CO	NMc	GS					
D	26.08.19	ADDED ITEMS 9 & 11	CO	NMc	GS					
C	22.04.02	ORIGINAL ISSUE								

CU	CU Description
-----------	-----------------------

LU50_25/950		OH Termination 25mm CU to 95 ABC			
ITEM NUMBER	STOCK CODE	DESCRIPTION	QTY RQD	UNIT OF MEASURE	REMARKS
2	GC0010	conduit 50mm 4m lg	1	ea	
4	GC7195	conduit saddle 50mm	3	ea	
5	CC0085	ABC 95 IPC	4	ea	
6	GC7192	saddle 25mm	5	ea	
7	HT6320	cable protector	1	ea	
11	GC7193	Conduit saddle 32mm	1	ea	

LU50_25/95U		UG Termination 25mm CU to 95 ABC			
ITEM NUMBER	STOCK CODE	DESCRIPTION	QTY RQD	UNIT OF MEASURE	REMARKS
1	FE0031	heat shrink glove	1	ea	
3	FE0071	insulation sleeving black	10	mr	
9	FC0500	Single core insulated splice	1	ea	
10	EE1201	Black 25mm ² single core cable	6	mr	

LU50_25/150O		OH Termination 25mm CU to 150 ABC			
ITEM NUMBER	STOCK CODE	DESCRIPTION	QTY RQD	UNIT OF MEASURE	REMARKS
2	GC0010	conduit 50mm 4m lg	1	ea	
4	GC7195	conduit saddle 50mm	3	ea	
5	CC0085	ABC 150 IPC	4	ea	
6	GC7192	saddle 25mm	5	ea	
7	HT6320	cable protector	1	ea	
11	GC7193	Conduit saddle 32mm	1	ea	

LU50_25/150U		UG Termination 25mm CU to 150 ABC			
ITEM NUMBER	STOCK CODE	DESCRIPTION	QTY RQD	UNIT OF MEASURE	REMARKS
1	FE0031	heat shrink glove	1	ea	
3	FE0071	insulation sleeving black	10	mr	
9	FC0500	Single core insulated splice	1	ea	
10	EE1201	Black 25mm ² single core cable	2	mr	

CU	CU Description
-----------	-----------------------

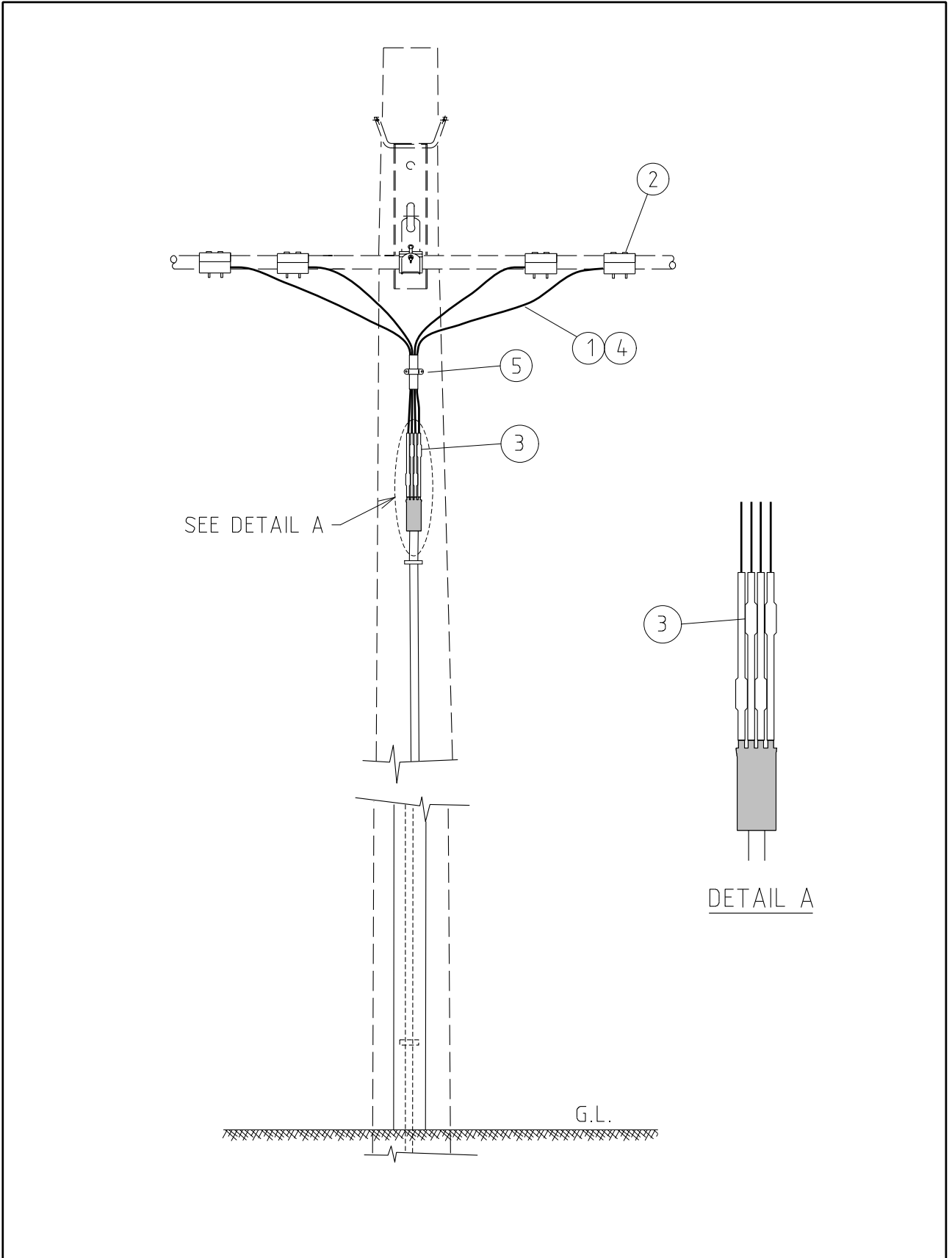
LU50_101695O OH Termination 10/16mm CU to 95 ABC					
ITEM NUMBER	STOCK CODE	DESCRIPTION	QTY RQD	UNIT OF MEASURE	REMARKS
2	GC7842	conduit 25mm 4m lg	1	ea	
4	GC7192	conduit saddle 25mm	3	ea	
5	CC0085	ABC 95 IPC	2	ea	
6	GC7190	saddle 16mm	5	ea	
7	HT6320	cable protector	1	ea	
8	GF1801	fuse holder 100amp	1	ea	
8	GF1940	fuse cartridge 32amp	1	ea	
8	CB3019	mounting bracket	1	ea	
8	CB3054	flowline mounting bracket	1	ea	
11	GC7193	Conduit saddle 32mm	1	ea	

LU50_101695U UG Termination 10/16mm CU to 95 ABC					
ITEM NUMBER	STOCK CODE	DESCRIPTION	QTY RQD	UNIT OF MEASURE	REMARKS
1	FE0032	heat shrink glove	1	ea	
3	FE0071	insulation sleeving black	6	mr	
9	FC0500	Single core insulated splice	1	ea	
10	EE1201	Black 25mm ² single core cable	2	mr	

LU50_1016O OH Termination 10/16mm CU to 150 ABC					
ITEM NUMBER	STOCK CODE	DESCRIPTION	QTY RQD	UNIT OF MEASURE	REMARKS
2	GC7842	conduit 25mm 4m lg	1	ea	
4	GC7192	conduit saddle 25mm	3	ea	
5	CC0085	ABC 150 IPC	2	ea	
6	GC7190	saddle 16mm	5	ea	
7	HT6320	cable protector	1	ea	
8	GF1801	fuse holder 100amp	1	ea	
8	GF1940	fuse cartridge 32amp	1	ea	
8	CB3019	mounting bracket	1	ea	
8	CB3054	flowline mounting bracket	1	ea	
11	GC7193	Conduit saddle 32mm	1	ea	

CU	CU Description
-----------	-----------------------

LU50_1016U		UG Termination 10/16mm CU to 150 ABC			
ITEM NUMBER	STOCK CODE	DESCRIPTION	QTY RQD	UNIT OF MEASURE	REMARKS
1	FE0032	heat shrink glove	1	ea	
3	FE0071	insulation sleeving black	6	mr	
9	FC0500	Single core insulated splice	1	ea	
10	EE1201	Black 25mm ² single core cable	2	mr	

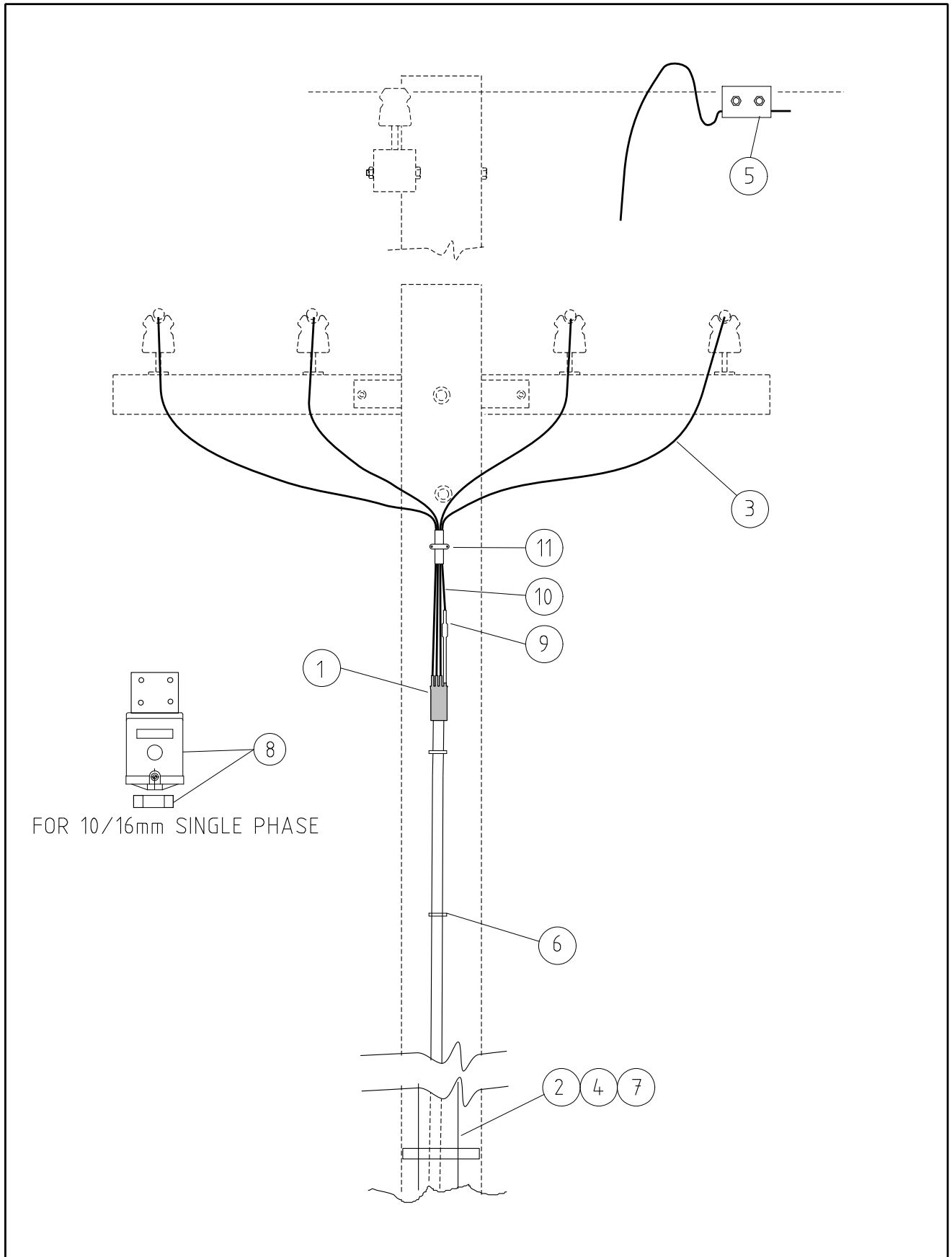


				TITLE			COMPATIBLE UNIT			DISTRIBUTION DESIGN CATALOGUE			westernpower	
				CABLE EXTENSION TO LV ABC						DRAWN: JRR DATE: 16-11-2021		DRG. No.		
										ORIGINATED: SH SCALE: NTS		LU50-2		
										CHECKED: CD		REV. A		
										APPROVED: GRANT STACY		SHT.		
A	26.11.21	ORIGINAL ISSUE		SH	CO	GS								
REV	DATE	DESCRIPTION		ORGD.	CHKD.	APPRD.								

CU	CU Description
-----------	-----------------------

LU50_EXT_25C UG cable extension or reattachment 25mm LVAB					
ITEM NUMBER	STOCK CODE	DESCRIPTION	QTY RQD	UNIT OF MEASURE	REMARKS
1	FE0071	insulation sleeving black (15mmID)	16	mtr	
2	CC0079	IPC ABC	4	ea	
3	FC0500	Single core insulated splice	4	ea	
4	EE1201	Black 25mm ² single core cable	16	mtr	
5	GC7193	Conduit saddle 32mm	4	ea	

LU50_EXT_16C UG cable extension or reattachment 16mm LVAB					
ITEM NUMBER	STOCK CODE	DESCRIPTION	QTY RQD	UNIT OF MEASURE	REMARKS
1	FE0071	insulation sleeving black (15mmID)	8	mtr	
2	CC0079	IPC ABC	2	ea	
3	FC0500	Single core insulated splice	2	ea	
4	EE1435	Black 16mm ² single core cable	8	mtr	
5	GC7191	Conduit saddle 20mm	4	ea	



FOR 10/16mm SINGLE PHASE

				COMPATIBLE UNIT			DISTRIBUTION DESIGN CATALOGUE		westernpower	
				TITLE			DRAWN: JRR DATE: 14-04-2014 DRG. No.		ORIG. NTS	
				CABLE TO LV BARE 25mm XLPE			CHECKED: REE		LU51-1	
							APPROVED: GRANT STACY		REV. D	
REV	DATE	DESCRIPTION	ORGD.	CHKD.	APRD.					
D	31.10.19	ADDED ITEM 10	CO	NMc	GS					
C	26.08.19	ADDED ITEMS 9 & 11	CO	NMc	GS					
B	22.04.02	ORIGINAL ISSUE								

CU	CU Description
-----------	-----------------------

LU51_25ALO OH Termination 25mm CU cable to Aluminium Conductor					
ITEM NUMBER	STOCK CODE	DESCRIPTION	QTY RQD	UNIT OF MEASURE	REMARKS
2	GC0010	conduit 50mm 4m lg	1	ea	
4	GC7195	conduit saddle 50mm	3	ea	
5	CC0125	bi-metal parallel groove clamp	4	ea	
6	GC7192	saddle 25mm	5	ea	
7	HT6320	cablE protector	1	ea	
11	GC7193	Conduit saddle 32mm	1	ea	

LU51_25ALU UG Termination 25mm CU cable to Aluminium Conductor					
ITEM NUMBER	STOCK CODE	DESCRIPTION	QTY RQD	UNIT OF MEASURE	REMARKS
1	FE0031	heat shrink glove	1	ea	
3	FE0071	insulation sleeving black (15mmID)	10	mr	
9	FC0500	Single core insulated splice	1	ea	
10	EE1201	Black 25mm ² single core cable	2	mr	

LU51_25CUO OH Termination 25mm CU cable to Copper Conductor					
ITEM NUMBER	STOCK CODE	DESCRIPTION	QTY RQD	UNIT OF MEASURE	REMARKS
2	GC0010	conduit 50mm 4m lg	1	ea	
4	GC7195	conduit saddle 50mm	3	ea	
5	CC0125	parallel groove clamp	4	ea	
6	GC7192	saddle 25mm	5	ea	
7	HT6320	cablE protector	1	ea	
11	GC7193	Conduit saddle 32mm	1	ea	

LU51_25CUU UG Termination 25mm CU cable to Copper Conductor					
ITEM NUMBER	STOCK CODE	DESCRIPTION	QTY RQD	UNIT OF MEASURE	REMARKS
1	FE0031	heat shrink glove	1	ea	
3	FE0071	insulation sleeving black (15mmID)	10	mr	
9	FC0500	Single core insulated splice	1	ea	
10	EE1201	Black 25mm ² single core cable	2	mr	

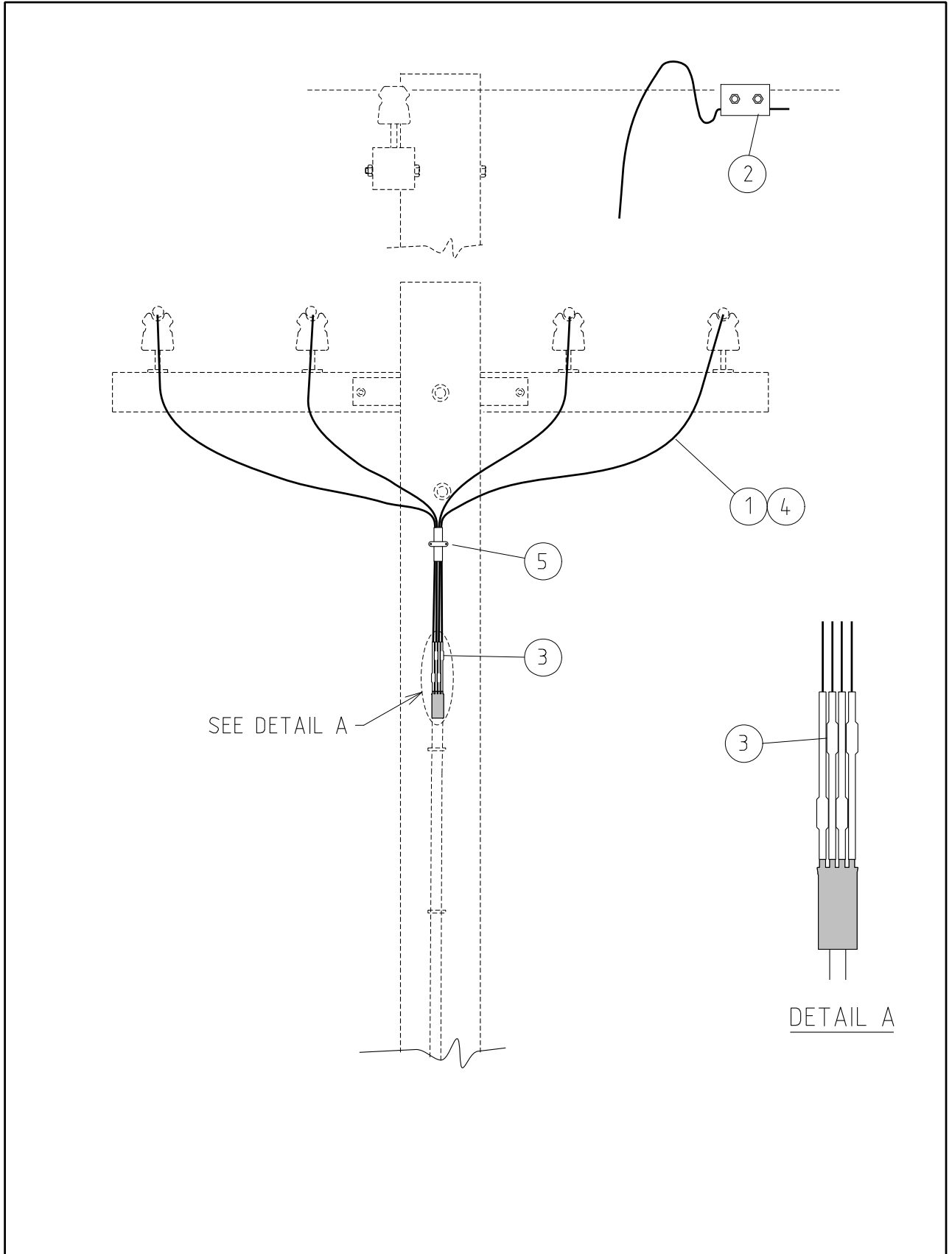
CU	CU Description
-----------	-----------------------

LU51_1016ALO OH Termination 10/16mm CU Cable to AL Conductor					
ITEM NUMBER	STOCK CODE	DESCRIPTION	QTY RQD	UNIT OF MEASURE	REMARKS
2	GC7842	conduit 25mm 4m lg	1	ea	
4	GC7192	conduit saddle 25mm	3	ea	
5	CC0125	bi-metal parallel groove clamp	2	ea	
6	GC7190	saddle 16mm	5	ea	
7	HT6320	cable protector	1	ea	
8	GF1801	fuse holder 100amp	1	ea	
8	GF1940	fuse cartridge 32amp	1	ea	
11	GC7193	Conduit saddle 32mm	1	ea	

LU51_1016ALU UG Termination 10/16mm CU Cable to AL Conductor					
ITEM NUMBER	STOCK CODE	DESCRIPTION	QTY RQD	UNIT OF MEASURE	REMARKS
1	FE0032	heat shrink glove	1	ea	
3	FE0071	insulation sleeving black	6	mr	
9	FC0500	Single core insulated splice	1	ea	
10	EE1201	Black 25mm ² single core cable	2	mr	

LU51_1016CUO OH Termination 10/16mm CU Cable to CU Conductor					
ITEM NUMBER	STOCK CODE	DESCRIPTION	QTY RQD	UNIT OF MEASURE	REMARKS
2	GC7842	conduit 25mm 4m lg	1	ea	
4	GC7192	conduit saddle 25mm	3	ea	
5	CC0125	bi-metal parallel groove clamp	2	ea	
6	GC7190	saddle 16mm	5	ea	
7	HT6320	cable protector	1	ea	
8	GF1801	fuse holder 100amp	1	ea	
8	GF1940	fuse cartridge 32amp	1	ea	
11	GC7193	Conduit saddle 32mm	1	ea	

LU51_1016CUU UG Termination 10/16mm CU Cable to CU Conductor					
ITEM NUMBER	STOCK CODE	DESCRIPTION	QTY RQD	UNIT OF MEASURE	REMARKS
1	FE0032	heat shrink glove	1	ea	
3	FE0071	insulation sleeving black	6	mr	
9	FC0500	Single core insulated splice	1	ea	
10	EE1201	Black 25mm ² single core cable	2	mr	



SEE DETAIL A

DETAIL A

				COMPATIBLE UNIT			DISTRIBUTION DESIGN CATALOGUE			
				TITLE			DRAWN: JRR		DATE: 01-09-2021	
				CABLE EXTENSION TO POLE			ORIGINATED: SH		SCALE: NTS	
							CHECKED: CO		DRG. No. LU51-2	
							APPROVED: GRANT STACY		REV. A	
A	27.11.21	ORIGINAL ISSUE		SH	CO	GS				
REV	DATE	DESCRIPTION		ORGD.	CHKD.	APPRD.				



CU	CU Description
-----------	-----------------------

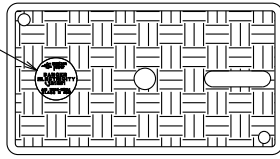
LU51_EXT_25C UG cable extension or reattachment 25mmCU					
ITEM NUMBER	STOCK CODE	DESCRIPTION	QTY RQD	UNIT OF MEASURE	REMARKS
1	FE0071	insulation sleeving black (15mmID)	16	mtr	
2	CC0130	PG Clamp Copper to copper	4	ea	
3	FC0500	Single core insulated splice	4	ea	
4	EE1201	Black 25mm ² single core cable	16	mtr	
5	GC7193	Conduit saddle 32mm	4	ea	

LU51_EXT_25A UG cable extension or reattachment 25mm AL					
ITEM NUMBER	STOCK CODE	DESCRIPTION	QTY RQD	UNIT OF MEASURE	REMARKS
1	FE0071	insulation sleeving black (15mmID)	16	mtr	
2	CC0125	PG Clamp Bi-metalic	4	ea	
3	FC0500	Single core insulated splice	4	ea	
4	EE1201	Black 25mm ² single core cable	16	mtr	
5	GC7193	Conduit saddle 32mm	4	ea	

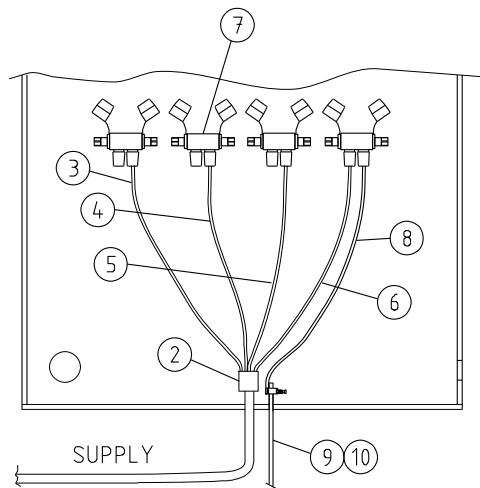
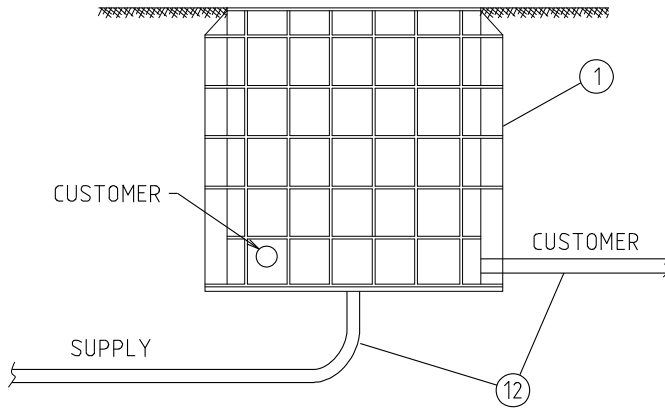
LU51_EXT_16C UG cable extension or reattachment 16mm CU					
ITEM NUMBER	STOCK CODE	DESCRIPTION	QTY RQD	UNIT OF MEASURE	REMARKS
1	FE0071	insulation sleeving black (15mmID)	8	mtr	
2	CC0130	PG Clamp Copper to copper	2	ea	
3	FC0500	Single core insulated splice	2	ea	
4	EE1201	Black 25mm ² single core cable	8	mtr	
5	GC7191	Conduit saddle 20mm	4	ea	

LU51_EXT_16A UG cable extension or reattachment 16mm AL					
ITEM NUMBER	STOCK CODE	DESCRIPTION	QTY RQD	UNIT OF MEASURE	REMARKS
1	FE0071	insulation sleeving black (15mmID)	8	mtr	
2	CC0125	PG Clamp Bi-metalic	2	ea	
3	FC0500	Single core insulated splice	2	ea	
4	EE1201	Black 25mm ² single core cable	8	mtr	
5	GC7191	Conduit saddle 20mm	4	ea	

WP LOGO
(SEE DETAIL)



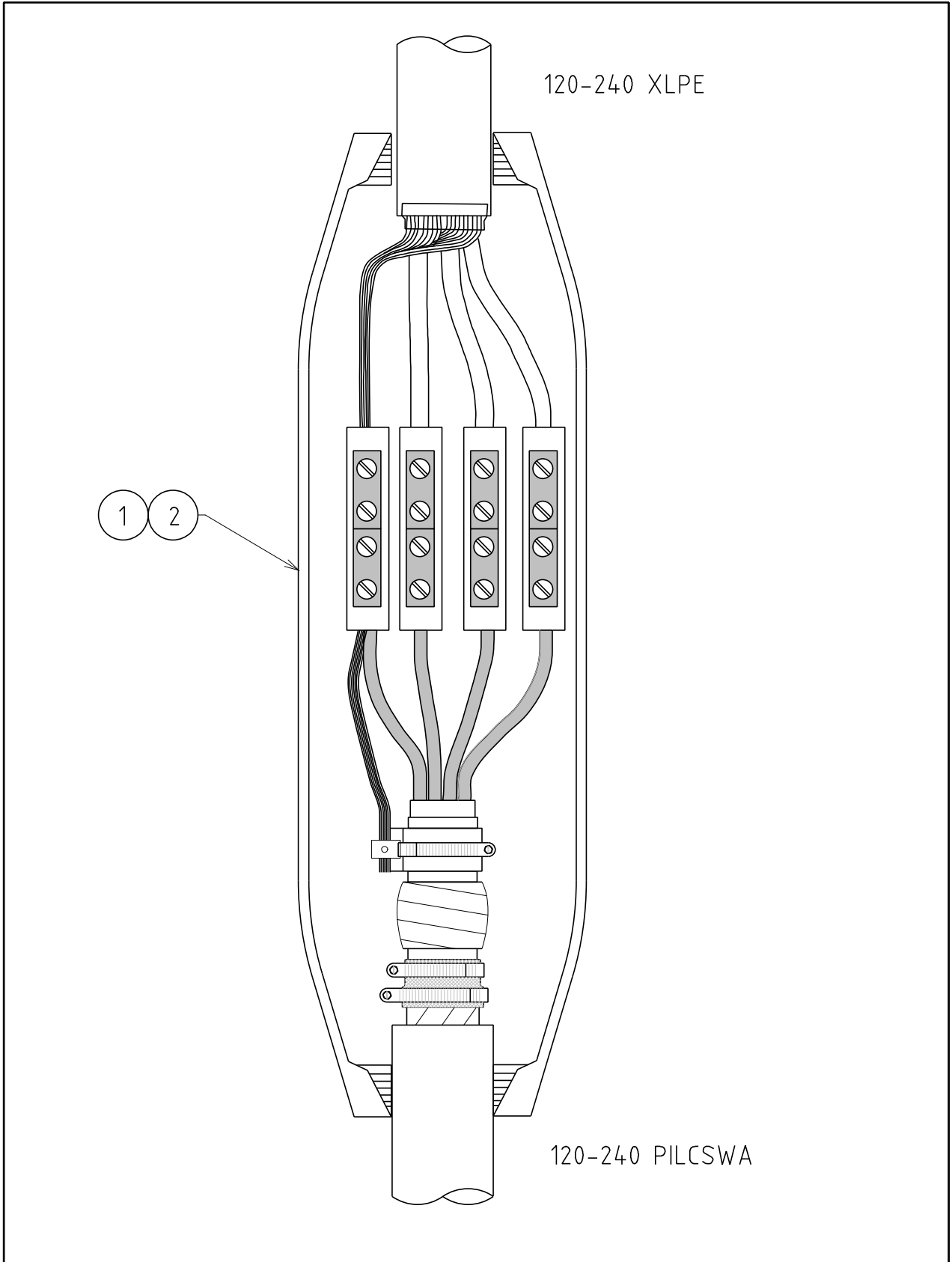
WP LOGO



				COMPATIBLE UNIT			DISTRIBUTION DESIGN CATALOGUE			
F	23.05.22	GEL PORT TYPE CHANGED	CO	SH	GS	TITLE		DRAWN: JRR	DATE: 15-04-2014	DRG. No.
E	22.06.21	ITEM 12 ADDED	CO	REE	GS	LV SERVICE CABLE PIT		ORIGINATED:	SCALE: NTS	LU52
D	11.06.19	REDRAWN	NN	CO	GS			CHECKED: REE		
C	12.05.09	ORIGINAL ISSUE						APPROVED: GRANT STACY	REV. F	SHT.
REV	DATE	DESCRIPTION	ORGD.	CHKD.	APRD.					

CU	CU Description
-----------	-----------------------

LU52		Cable Service pit (Conditional Use – e.g Micro lots)			
ITEM NUMBER	STOCK CODE	DESCRIPTION	QTY RQD	UNIT OF MEASURE	REMARKS
1	FB0051	Service pit	1	ea	2x 3ph services + 1ph UMS
2	FE0109	4-finger glove and black heatshrink sleeving	1	ea	
3	FE0102	red heatshrink sleeving	1	ea	
4	FE0103	white heatshrink sleeving	1	ea	
5	FE0104	blue heatshrink sleeving	1	ea	
6	FE0071	black heatshrink sleeving	1	ea	
7	CC0852	4-port connector	4	ea	
8	EE1205	25mm ² earth cable	2	m	
9	CE0055	earth clamp	1	ea	
10	CE0135	earth rod	1	ea	
12	GC0025	4m length conduit	1	ea	



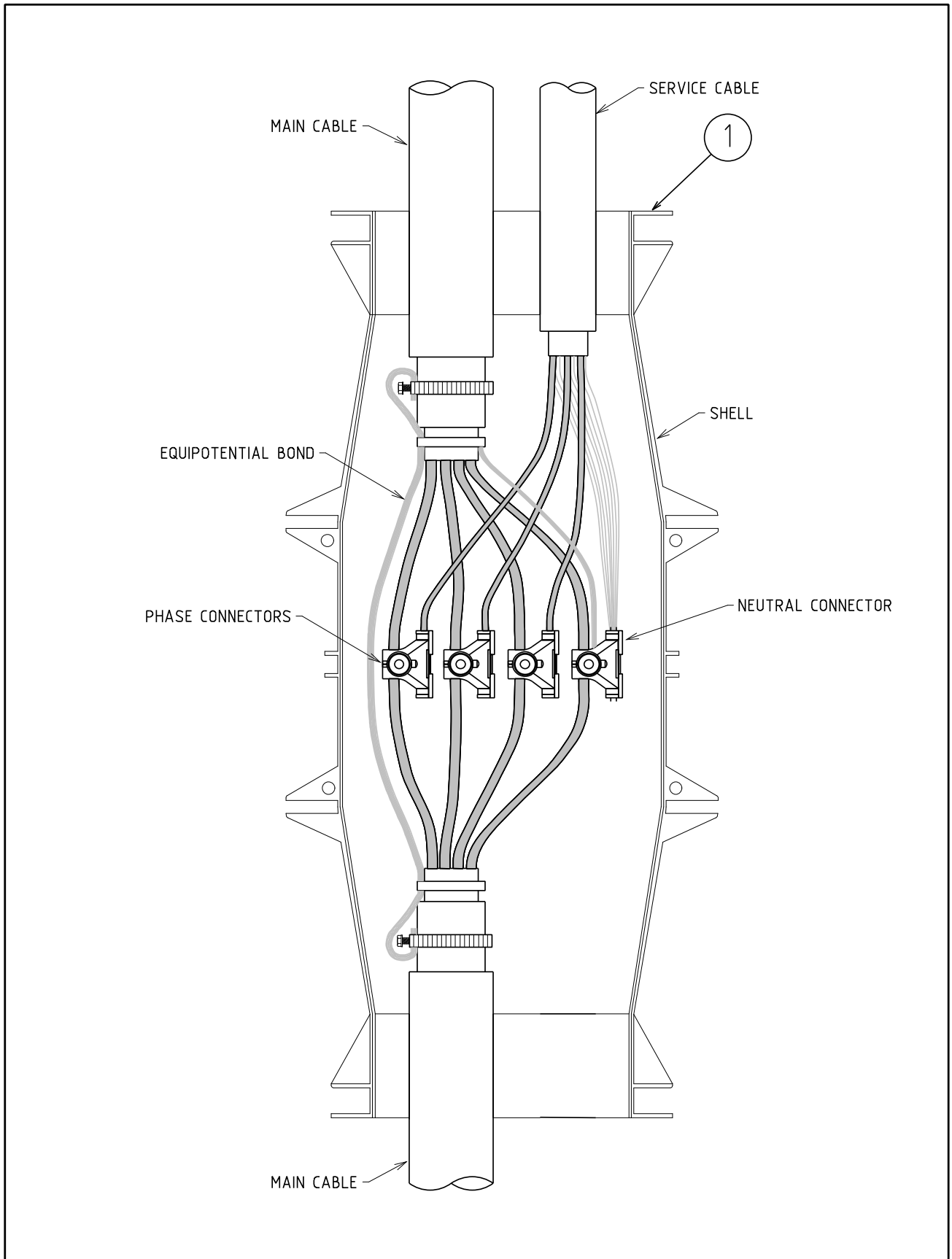
				COMPATIBLE UNIT			DISTRIBUTION DESIGN CATALOGUE		westernpower	
				TITLE			DRAWN: JRR		DATE: 15-04-2014	
				TRANSITION JOINT			ORIGINATED:		SCALE: NTS	
				120-240 PILCSWA TO 120-240 XLPE			CHECKED: REE		DRG. No. LU53	
							APPROVED: GRANT STACY		REV. B	
B	24.12.20	DETAILS REVISED		CO	NN	GS				
A	21.01.99	ORIGINAL ISSUE								
REV	DATE	DESCRIPTION		ORGD.	CHKD.	APRD.				

CU	CU Description
-----------	-----------------------

LU53 Transition Jn 120-240PILC to 120-240XLPE					
ITEM NUMBER	STOCK CODE	DESCRIPTION	QTY RQD	UNIT OF MEASURE	REMARKS
1	FJ0065	Transition joint	1	ea	
2	KC0014	2-part guroflex resin	5	ea	

CU	CU Description
-----------	-----------------------

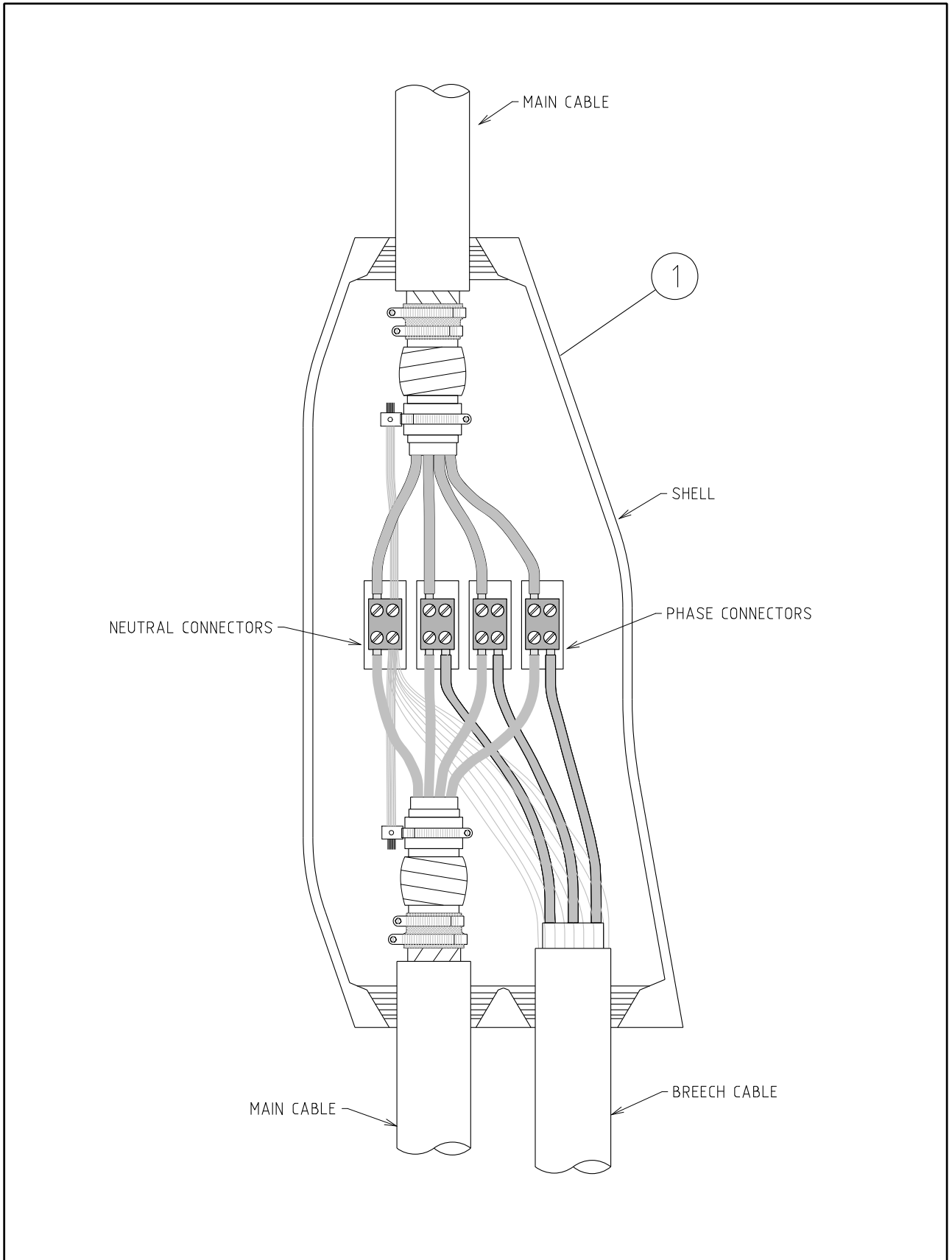
LU54 Tee joint–150 pilcswa to 25 xlpe					
ITEM NUMBER	STOCK CODE	DESCRIPTION	QTY RQD	UNIT OF MEASURE	REMARKS
1	FJ0048	tee joint including resin	1	ea	



				COMPATIBLE UNIT		DISTRIBUTION DESIGN CATALOGUE			
				TITLE		DRAWN: JRR DATE: 15-04-2014 DRG. No.		LU55	
				TEE JOINT 240 PILCSWA TO 25 XLPE		ORIGINATED: SCALE: NTS			
C	07.04.20	REDRAWN TO SUIT NEW JOINT BOX	CO	FK	GS	CHECKED: REE		REV B	
A	21.01.99	ORIGINAL ISSUE				APPROVED: GRANT STACY			
REV	DATE	DESCRIPTION	ORGD.	CHKD.	APRD.				

CU	CU Description
-----------	-----------------------

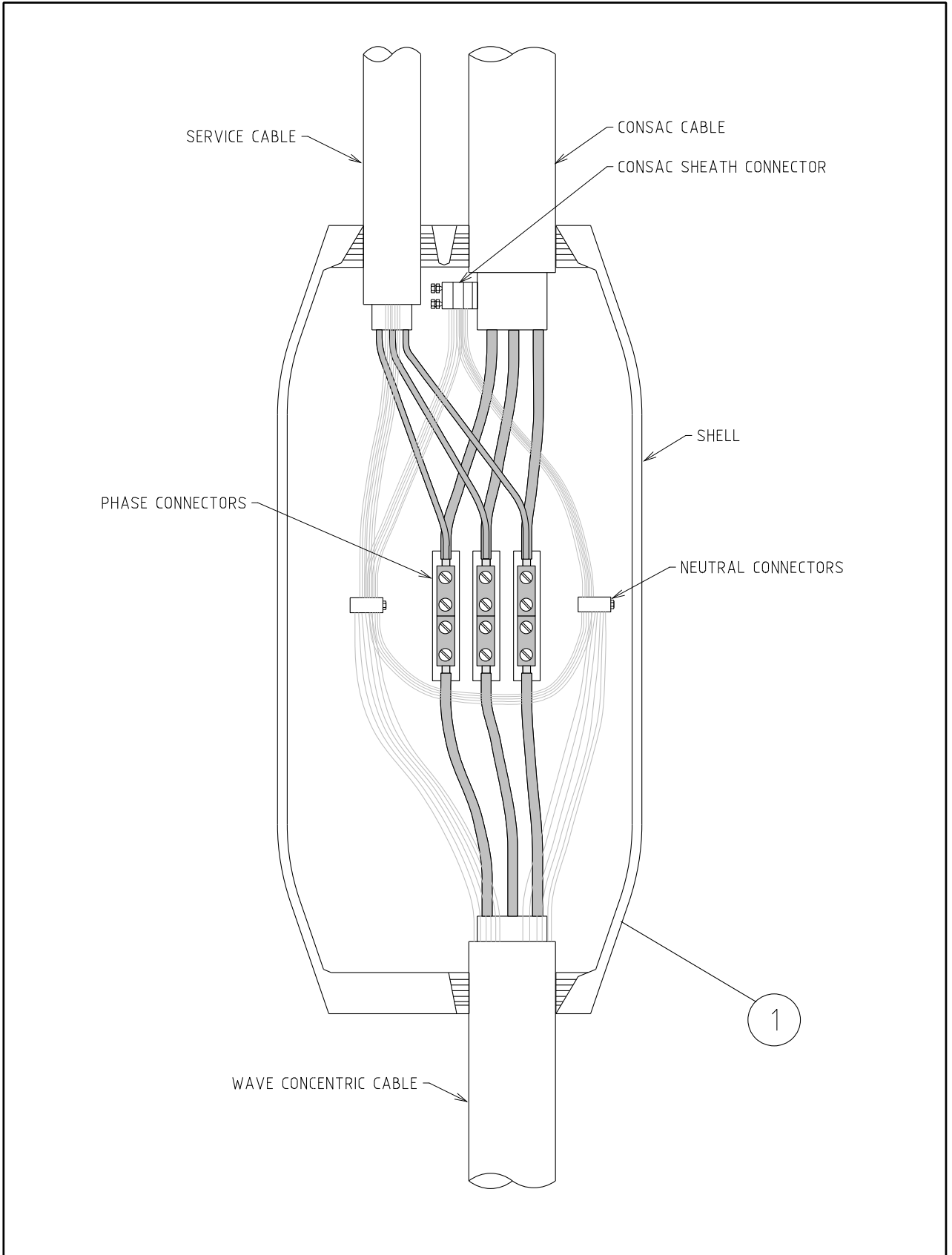
LU55		Tee joint-240 pilcswa to 25 xlpe			
ITEM NUMBER	STOCK CODE	DESCRIPTION	QTY RQD	UNIT OF MEASURE	REMARKS
1	FJ0048	tee joint including resin	1	ea	



				COMPATIBLE UNIT			DISTRIBUTION DESIGN CATALOGUE		westernpower	
				TITLE			DRAWN: JRR		DATE: 22-06-2016	
				BREECHES JOINT			ORIGINATED: JC		SCALE: NTS	
				240 PILCSWA TO 240 XLPE			CHECKED: REE		DRG. No. LU57	
							APPROVED: GRANT STACY		REV. D	
REV	DATE	DESCRIPTION	DRGD.	CHKD.	APRD.			SHT.		
D	30.08.21	REDRAWN TO SUIT NEW JOINT BOX	CO	KT	GS					
C	09.08.16	ITEM NUMBERS REVISED	JC	REE	GS					
B	30.06.16	ITEM NUMBERS CHANGED	JC	REE	GS					
A	21.01.99	ORIGINAL ISSUE								

CU	CU Description
-----------	-----------------------

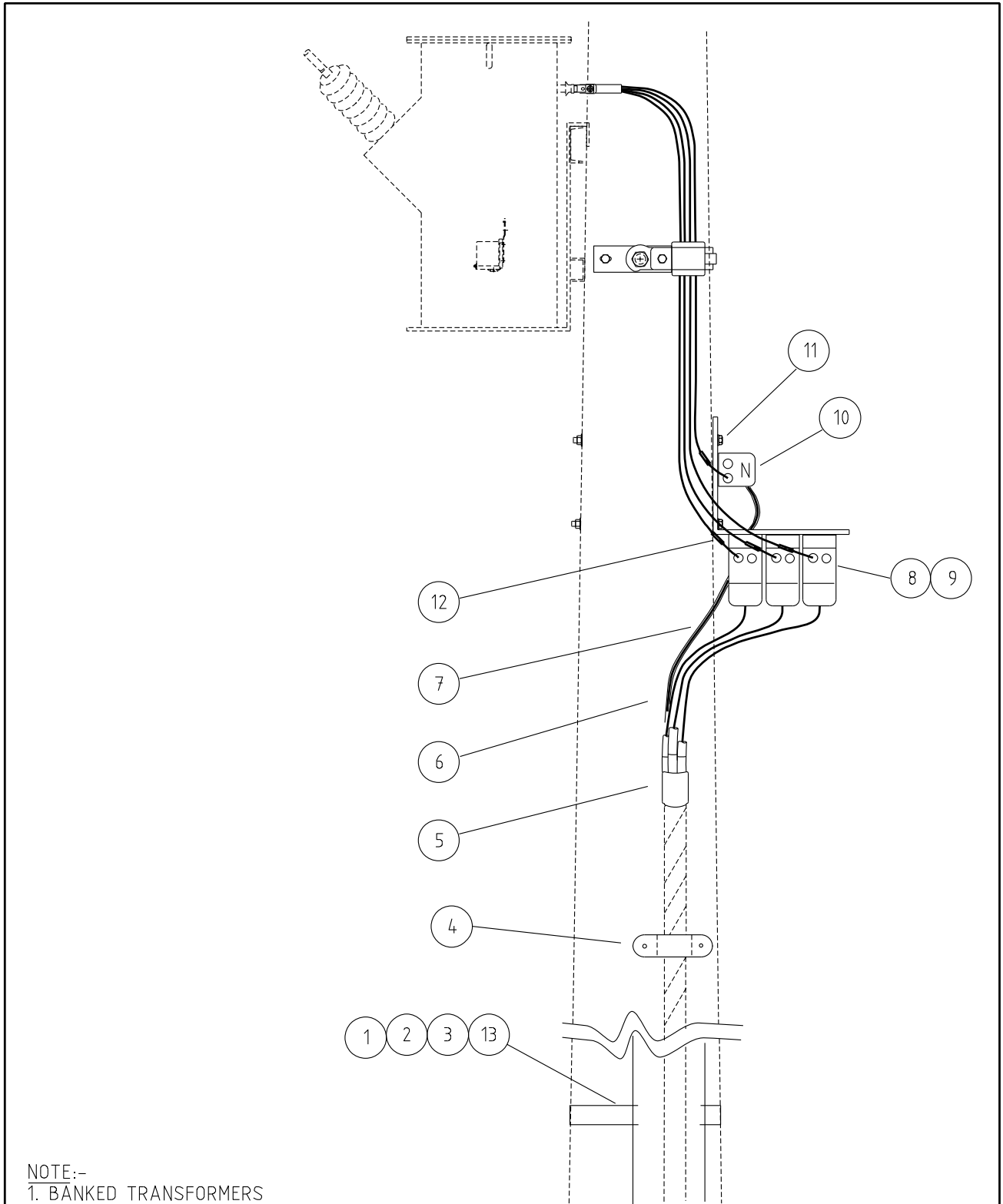
LU57		Breech joint–240 pilcswa to 240 xlpe			
ITEM NUMBER	STOCK CODE	DESCRIPTION	QTY RQD	UNIT OF MEASURE	REMARKS
1	FJ0069	Breech joint (kit only)	1	ea	
2	KC0014	2-part guroflex resin	6	ea	



				COMPATIBLE UNIT			DISTRIBUTION DESIGN CATALOGUE			
				TITLE			DRAWN: JRR		DATE: 03-12-2018	
				TRANSITION JOINT (CONSAC)			ORIGINATED: CO		SCALE: NTS	
				WITH SERVICE CABLE 25/(120-240)			CHECKED: FK		DRG. No. LU58	
							APPROVED: GRANT STACY			
A	12.12.18	ORIGINAL ISSUE		CO	FK	GS			REV.	SHT.
REV	DATE	DESCRIPTION		DRG.	CHKD.	APPR.	GRANT STACY		A	

CU	CU Description
-----------	-----------------------

LU58 Transition joint (consac) with service cable 25/(120-240)					
ITEM NUMBER	STOCK CODE	DESCRIPTION	QTY RQD	UNIT OF MEASURE	REMARKS
1	FJ0064	Transition joint with service	1	ea	
2	KC0014	2-part guroflex resin	5	ea	



NOTE:-

1. BANKED TRANSFORMERS
2. CHANGE FUSE SIZE ACCORDINGLY
3. TX4 - REMOVE LVABC DISCONNECTOR FUSE AND JUMPERS IF USING FLOWLINE FUSES (TX < 100kVA)
4. USE LV ABC FUSE DISCONNECTOR FOR CONNECTING SOLE USE UNIPILLAR.

				COMPATIBLE UNIT			DISTRIBUTION DESIGN CATALOGUE			
				TITLE			DRAWN: JRR		DATE: 22-06-2016	
				TRANSFORMER TO PILLAR			ORIGINATED: JC		SCALE: NTS	
				25mm ² , 120mm ² TO 240mm ²			CHECKED: REE		DRG. No.	
							APPROVED: GRANT STACY		REV. C	
REV	DATE	DESCRIPTION	ORGD.	CHKD.	APRD.			SHT.		
C	08.03.24	FLOWLINE DETAILS DELETED & CU NUMBERS REVISED	SL	ML	CO			LU61		
B	30.06.16	NOTES REVISED	JC	REE	GS					
A	04.02.10	ORIGINAL ISSUE								

CU	CU Description
-----------	-----------------------

LU61_25_2400 OH Termination Transformer Pole to Pillar 25mm CU cable (240V)					
ITEM NUMBER	STOCK CODE	DESCRIPTION	QTY RQD	UNIT OF MEASURE	REMARKS
1	GC0010	conduit 50mm 4m lg	1	ea	
2	GC7195	conduit saddle 50mm	3	ea	
3	HT6320	cable protector	1	ea	
4	GC7192	saddle 25mm	5	ea	

LU61_25_240U UG Termination Transformer Pole to Pillar 25mm CU cable (240V)					
ITEM NUMBER	STOCK CODE	DESCRIPTION	QTY RQD	UNIT OF MEASURE	REMARKS
5	FE0031	heat shrink glove	1	ea	
6	FE0071	insulation sleeving black (15mm ID)	7	mr	

LU61_25_2TXO OH Termination 2 x 25kVA Transformers Pole to Pillar 25mm CU cable (240V)					
ITEM NUMBER	STOCK CODE	DESCRIPTION	QTY RQD	UNIT OF MEASURE	REMARKS
1	GS0109	neutral connector	1	ea	
2	GC7195	conduit saddle 50mm	3	ea	
3	HT6320	cable protector	1	ea	
4	GC7192	saddle 25mm	5	ea	
8	GS6022	Krone fuse	1	ea	
9	GF1096	200A LV fuse	1	ea	
10	GS6021	fuse bracket	1	ea	
11	AB6732	pole bolt – M16x 550mm lg	2	ea	

LU61_25_2TXU UG Termination 2 x 25kVA Transformers Pole to Pillar 25mm CU cable (240V)					
ITEM NUMBER	STOCK CODE	DESCRIPTION	QTY RQD	UNIT OF MEASURE	REMARKS
5	FE0031	heat shrink glove	1	ea	
6	FE0071	insulation sleeving black (15mm ID)	7	mr	

CU	CU Description
-----------	-----------------------

LU61_25_480O OH Termination Transformer Pole to Pillar 25mm CU cable (480V)					
ITEM NUMBER	STOCK CODE	DESCRIPTION	QTY RQD	UNIT OF MEASURE	REMARKS
1	GC0010	conduit 50mm 4m lg	1	ea	
2	GC7195	conduit saddle 50mm	3	ea	
3	HT6320	cable protector	1	ea	
4	GC7192	saddle 25mm	5	ea	

LU61_25_480U UG Termination Transformer Pole to Pillar 25mm CU cable (480V)					
ITEM NUMBER	STOCK CODE	DESCRIPTION	QTY RQD	UNIT OF MEASURE	REMARKS
5	FE0031	heat shrink glove	1	ea	
6	FE0071	insulation sleeving black (15mm ID)	7	mr	

LU61_25_3PHO OH Termination Transformer Pole to Pillar 25mm CU cable (415V)					
ITEM NUMBER	STOCK CODE	DESCRIPTION	QTY RQD	UNIT OF MEASURE	REMARKS
1	GC0010	conduit 50mm 4m lg	1	ea	
2	GC7195	conduit saddle 50mm	3	ea	
3	HT6320	cable protector	1	ea	
4	GC7192	saddle 25mm	5	ea	
11	AB6732	pole bolt – M16x 550mm lg	1	ea	

LU61_25_3PHU UG Termination Transformer Pole to Pillar 25mm CU cable (415V)					
ITEM NUMBER	STOCK CODE	DESCRIPTION	QTY RQD	UNIT OF MEASURE	REMARKS
5	FE0031	heat shrink glove	1	ea	
6	FE0071	insulation sleeving black (15mm ID)	10	mr	

LU61_120_3PO OH Termination Transformer Pole to Pillar 120mm Al cable (415V)					
ITEM NUMBER	STOCK CODE	DESCRIPTION	QTY RQD	UNIT OF MEASURE	REMARKS
3	HT6320	cable protector	1	ea	
11	AB6732	pole bolt – M16x 550mm lg	2	ea	
12	CJ0492	stalk with copper tail	8	ea	
13	CB3120	pole cable clamp	3	ea	

CU	CU Description
-----------	-----------------------

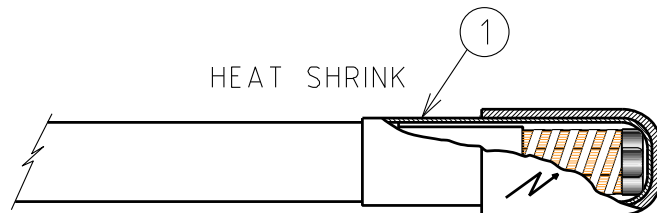
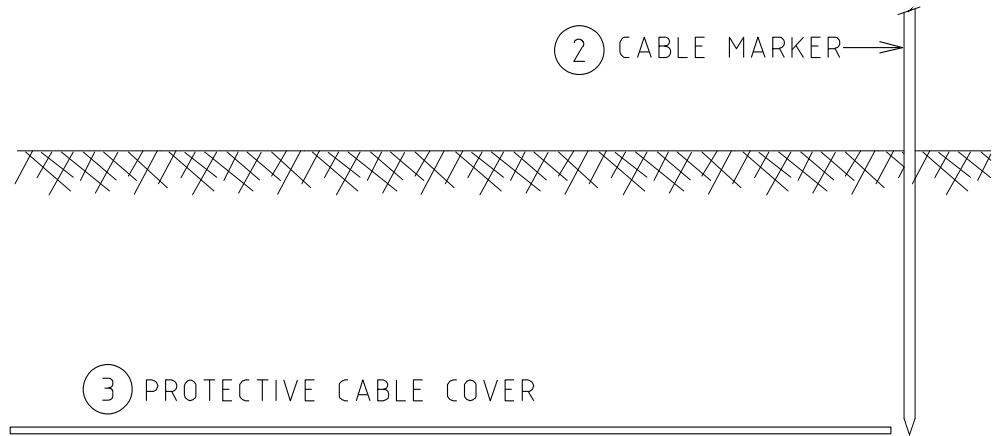
LU61_120_3PU (415V)		UG Termination Transformer Pole to Pillar 120mm Al cable			
ITEM NUMBER	STOCK CODE	DESCRIPTION	QTY RQD	UNIT OF MEASURE	REMARKS
5	FC0499	splice 120 to 95 ABC	1	ea	
7	FT0095	ABC 95 3m long	1	ea	

LU61_185_3PO (415V)		OH Termination Transformer Pole to Pillar 185mm Al cable			
ITEM NUMBER	STOCK CODE	DESCRIPTION	QTY RQD	UNIT OF MEASURE	REMARKS
3	HT6320	cable protector	1	ea	
11	AB6732	pole bolt – M16x 550mm lg	2	ea	
12	CJ0492	stalk with copper tail	8	ea	
13	CB3120	pole cable clamp	3	ea	

LU61_185_3PU (415V)		UG Termination Transformer Pole to Pillar 185mm Al cable			
ITEM NUMBER	STOCK CODE	DESCRIPTION	QTY RQD	UNIT OF MEASURE	REMARKS
5	FC0499	splice 185 to 150 ABC	1	ea	
7	FT0150	ABC 150 3m long	1	ea	

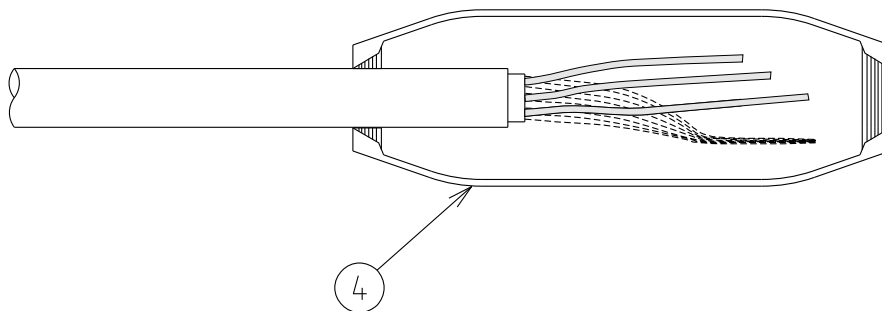
LU61_240_3PO (415V)		OH Termination Transformer Pole to Pillar 240mm Al cable			
ITEM NUMBER	STOCK CODE	DESCRIPTION	QTY RQD	UNIT OF MEASURE	REMARKS
3	HT6320	cable protector	1	ea	
11	AB6732	pole bolt – M16x 550mm lg	2	ea	
12	CJ0492	stalk with copper tail	8	ea	
13	CB3120	pole cable clamp	3	ea	

LU61_240_3PU (415V)		UG Termination Transformer Pole to Pillar 240mm Al cable			
ITEM NUMBER	STOCK CODE	DESCRIPTION	QTY RQD	UNIT OF MEASURE	REMARKS
5	FC0499	splice 240 to 150 ABC	1	ea	
7	FT0150	ABC 150 3m long	1	ea	



OR

RESIN FILLED



NOTES:-
REFER TO DRG. R34-1

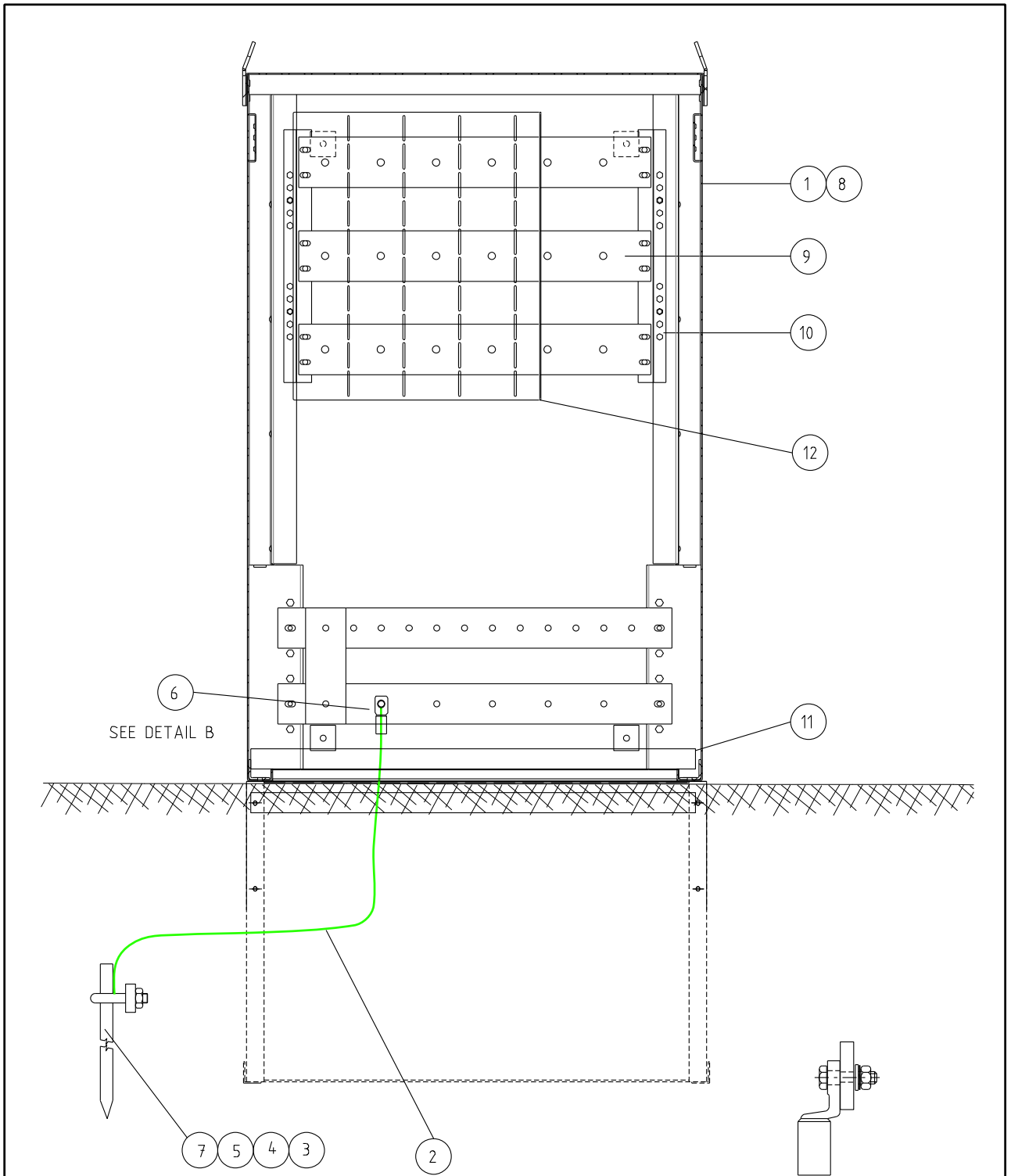
				COMPATIBLE UNIT			DISTRIBUTION DESIGN CATALOGUE			
				TITLE			DRAWN: JRR		DATE: 26-06-2015	
				LV LIVE END SEALS			ORIGINATED: NB		SCALE: NTS	
				50 - 240mm ²			CHECKED: CD		DRG. No.	
							APPROVED: GRANT STACY		REV. E	
REV	DATE	DESCRIPTION	DRG.	CHKD.	JAPRD			SHT.		
E	30.05.23	HEAT SHRINK CABLE COVER DETAILS ADDED		SH	ML	CO			LU62	
D	09.09.22	LIVE END SEAL CHANGED		CO	NMc	GS				
C	22.07.15	CABLE PROTECTOR ADDED		NB	CO	GS				

CU	CU Description
-----------	-----------------------

LU62_70_120 LV Cable Live End Seal for XLPE – 70-120 1 x 3 core					
ITEM NUMBER	STOCK CODE	DESCRIPTION	QTY RQD	UNIT OF MEASURE	REMARKS
1	FJ0220	Live end seal kit	1	ea	
2	CR0327	Cable Marker	1	ea	
3	CZ0505	Cable Protector	3	ea	

LU62_185_240 LV Cable Live End Seal for XLPE – 185-240 1 x 3 core					
ITEM NUMBER	STOCK CODE	DESCRIPTION	QTY RQD	UNIT OF MEASURE	REMARKS
1	FJ0221	Live end seal kit	1	ea	
2	CR0327	Cable Marker	1	ea	
3	CZ0505	Cable Protector	3	ea	

LU62 LV Cable Live End Seal PILC (resin filled)					
ITEM NUMBER	STOCK CODE	DESCRIPTION	QTY RQD	UNIT OF MEASURE	REMARKS
2	CR0327	Cable Marker	1	ea	
3	CZ0505	Cable Protector	3	ea	
4	FJ0060	Live end seal kit	1	ea	
4	KC0014	2 part Guroflex resin	1	ea	



6
SEE DETAIL B

- NOTES:-
 1. ORDER CE0116 FOR HARD SOIL.
 2. CONNECT 70mm² PVC INSULATED COPPER CABLE (GREEN/YELLOW) TO EARTH ELECTRODE. INSTALL CABLE AND ROD 1200mm BELOW FGL IN NEW SITES.

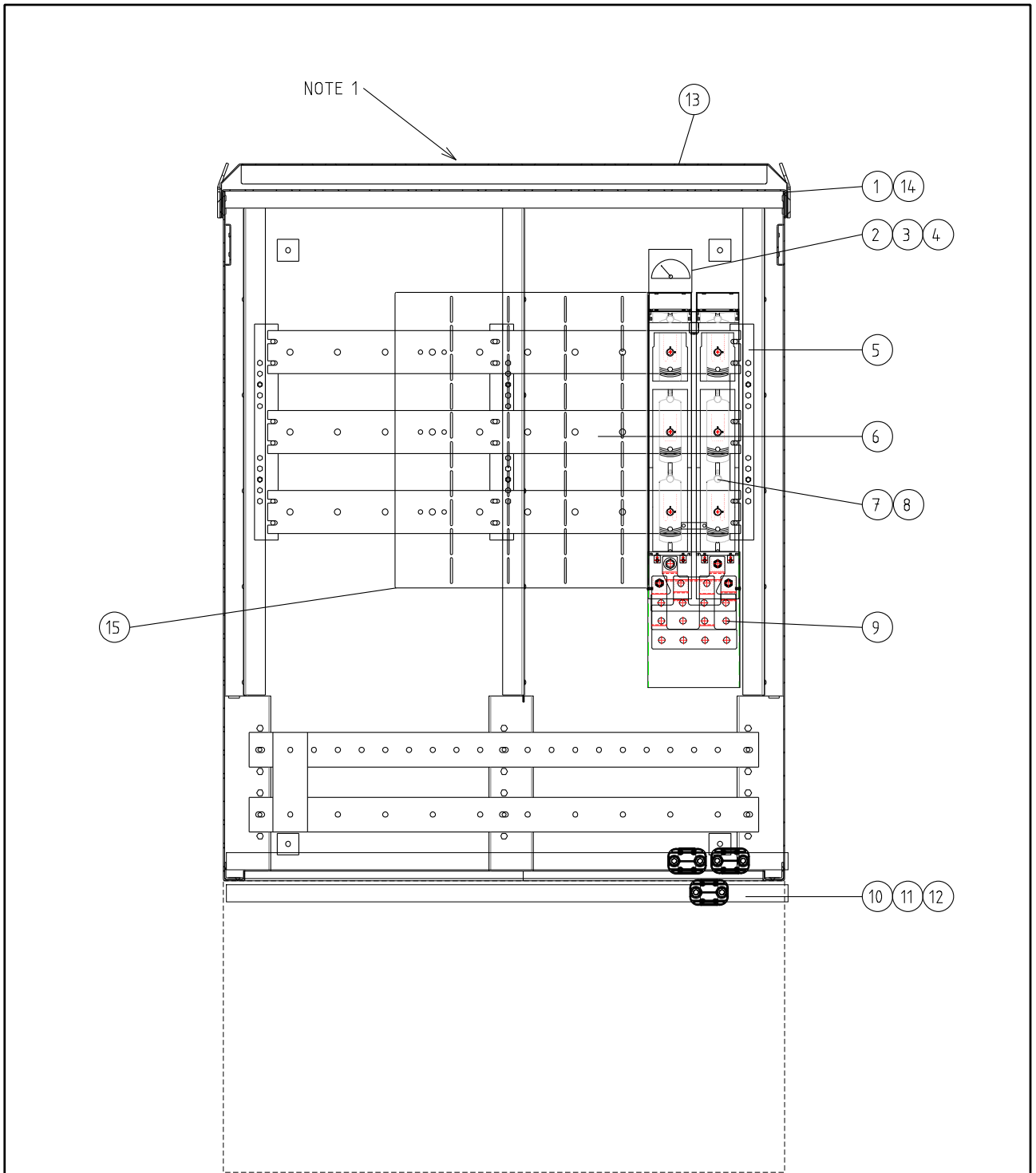
DETAIL B

REFERENCE DRAWINGS:
 SG2019 - FB0282 SHEET 4 REV0
 SG2019 - FB0285 SHEET 1 REV0

				TITLE			DISTRIBUTION DESIGN CATALOGUE		westernpower	
				COMPATIBLE UNIT			DRAWN: GC		DATE: 08-10-2019	
				TYPE 1.1 PUBLIC ELECTRICITY NETWORK DISTRIBUTION ASSEMBLY (PENDA)			SCALE: NTS		DRG. No.	
							CHECKED: CD		LU63	
							APPROVED: GRANT STACY		REV. B	
REV	DATE	DESCRIPTION	DRN	CHKD	APRD			SHT.		
B	01.04.21	BUS BAR COVERS ADDED	GC	CO	GS					
A	08.10.19	ORIGINAL ISSUE								

CU	CU Description
-----------	-----------------------

LU63 Type 1.1 PENDA					
ITEM NUMBER	STOCK CODE	DESCRIPTION	QTY RQD	UNIT OF MEASURE	REMARKS
1	FB0282	Type 1.1 PENDA	1	ea	
2	EE1264	conductor 70mm pvc insulated copper green / yellow	3	mr	
3	CE0135	earth rod	2	ea	
4	CE0058	earth clamp	1	ea	
5	CE0078	earth coupling	1	ea	
6	FL0143	earthing lug	1	ea	
7	CE0116	driving point for earth rods	0	ea	See Note 1
8	OH0194	Padlock	1	ea	
9	FB0285	Type 1.1 bus bar assembly	1	set	
10	FB0867	Bus bar supports	2	ea	
11	FM0208	Cable clamp support section	2	ea	
12	FB0876	Bus bar cover	1	ea	



NOTES:-
1. DESIGNER TO USE LU64_0 FOR OUTDOOR INSTALLATIONS.

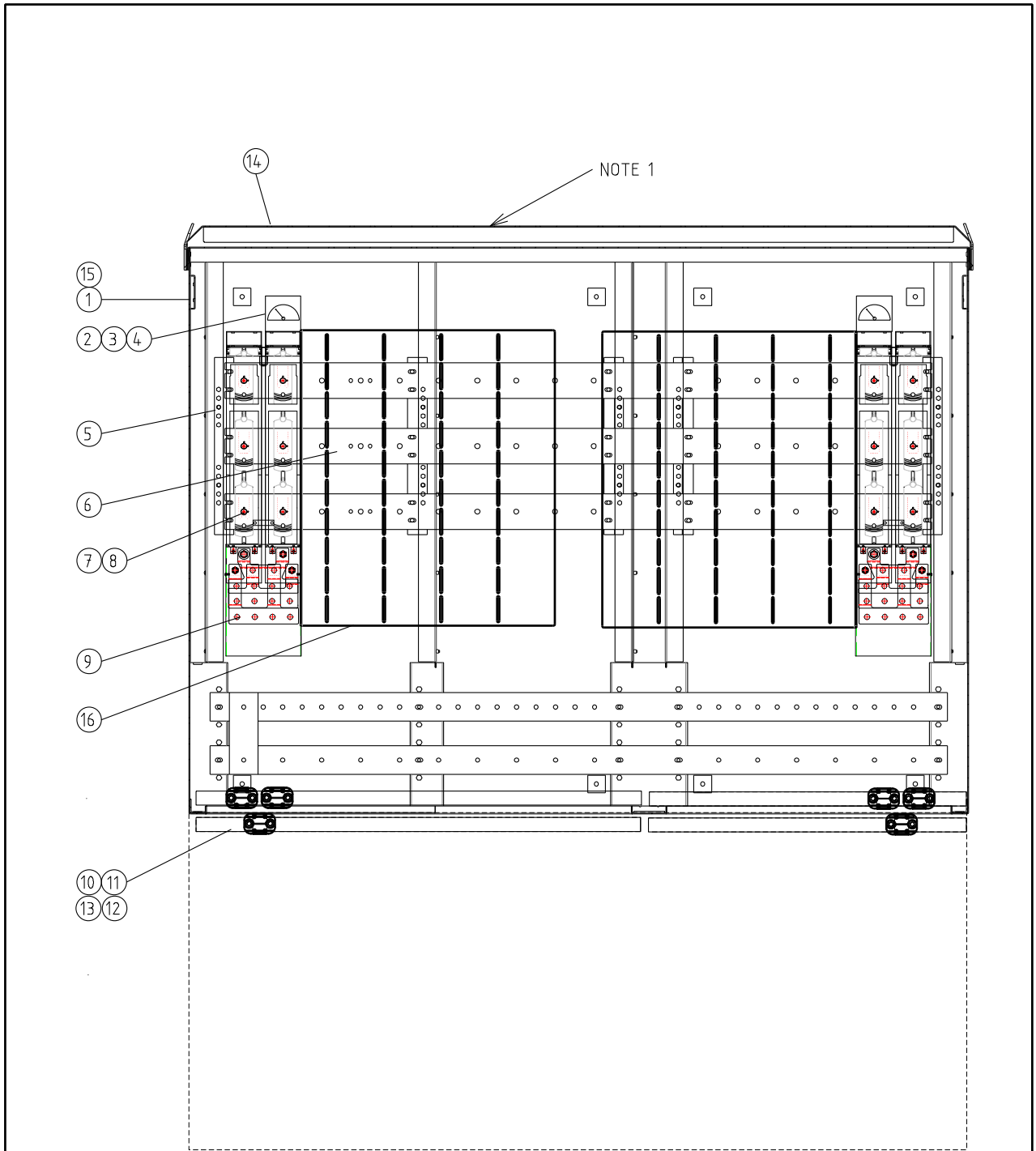
REFERENCE FILES:
SG2019 - FB0283 SHEET 4 REV 0
SG2019 - FB0286 SHEET 1 REV 0

				COMPATIBLE UNIT			DISTRIBUTION DESIGN CATALOGUE				
				TITLE			DRAWN: GC	DATE: 08-10-2019	DRG. No.		
				TYPE 2.1 - 1400A			SCALE: NTS		LU64		
				PUBLIC ELECTRICITY NETWORK			CHECKED: CD				
				DISTRIBUTION ASSEMBLY (PENDA)			APPROVED: GRANT STACY	REV. B	SHT.		
REV	DATE	DESCRIPTION	DRN.	CHKD.	APPRD.						
B	01.04.21	BUS BAR COVERS ADDED		GC	CD	GS					
A	08.10.19	ORIGINAL ISSUE									

CU	CU Description
-----------	-----------------------

LU64_I Type 2.1 PENDA – I (Indoor)					
ITEM NUMBER	STOCK CODE	DESCRIPTION	QTY RQD	UNIT OF MEASURE	REMARKS
1	FB0283	Type 2.1 PENDA	1	ea	
2	FB0868	Maximum demand ammeter	1	ea	
3	FB0870	Ammeter panel	1	ea	
4	FB0869	White phase current transformer	1	ea	
5	FB0867	Bus bar supports	3	ea	
6	FB0286	1400A bus bar assembly	1	ea	
7	FB0862	2000A transformer switch disconnecter	1	ea	
8	FB0872	M12 switch mounting bolts	2	kit	
9	FB0873	M12 transformer cable termination bolts	2	kit	
10	FM0203	Transformer 3 phase cable clamps (per phase)	2	kit	
11	FM0200	Transformer neutral cable clamps	1	ea	
12	FM0209	Cable clamp support section	2	ea	
15	FB0876	Bus bar cover	2	ea	

LU64_O Type 2.1 PENDA O (Outdoor)					
ITEM NUMBER	STOCK CODE	DESCRIPTION	QTY RQD	UNIT OF MEASURE	REMARKS
1	FB0283	Type 2.1 PENDA	1	ea	
2	FB0868	Maximum demand ammeter	1	ea	
3	FB0870	Ammeter panel	1	ea	
4	FB0869	White phase current transformer	1	ea	
5	FB0867	Bus bar supports	3	ea	
6	FB0286	1400A bus bar assembly	1	ea	
7	FB0862	2000A transformer switch disconnecter	1	ea	
8	FB0872	M12 switch mounting bolts	2	kit	
9	FB0873	M12 transformer cable termination bolts	2	kit	
10	FM0203	Transformer 3 phase cable clamps (per phase)	2	kit	
11	FM0200	Transformer neutral cable clamps	1	ea	
12	FM0209	Cable clamp support section	2	ea	
13	FB0288	Sun shield for Type 2.1 PENDA	1	ea	
14	OH0194	Padlock	1	ea	
15	FB0876	Bus bar cover	2	ea	



NOTES:-
1. DESIGNER TO USE LU65_0 FOR OUTDOOR INSTALLATIONS.

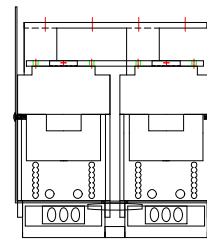
REFERENCES:
SG2019-FB0284 SHEET 5 REV0
SG2019-FB0287 SHEET 1 REV0

				COMPATIBLE UNIT			DISTRIBUTION DESIGN CATALOGUE				
				TITLE			DRAWN: GC		DATE: 08-10-2019		DRG. No.
				TYPE 3.1 - 2800A			SCALE: NTS		LU65		
				PUBLIC ELECTRICITY NETWORK			CHECKED: CD		APPROVED: GRANT STACY		
				DISTRIBUTION ASSEMBLY (PENDA)			APPROVED: GRANT STACY		REV. B	SHT.	
REV	DATE	DESCRIPTION	DRN.	CHKD.	APRD.						
B	01.04.21	BUS BAR COVERS ADDED		GC	CO	GS					
A	08.10.19	ORIGINAL ISSUE									

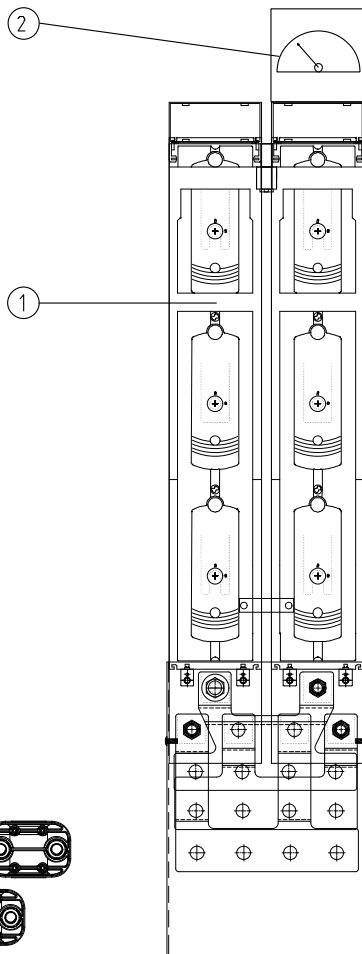
CU	CU Description
-----------	-----------------------

LU65_I		Type 3.1 PENDA – I (Indoor)			
ITEM NUMBER	STOCK CODE	DESCRIPTION	QTY RQD	UNIT OF MEASURE	REMARKS
1	FB0284	Type 3.1 PENDA	1	ea	
2	FB0868	Maximum demand ammeter	2	ea	
3	FB0870	Ammeter panel	2	ea	
4	FB0869	White phase current transformer	2	ea	
5	FB0867	Bus bar supports	5	ea	
6	FB0287	2800A bus bar assembly	1	ea	
7	FB0862	2000A transformer switch disconnecter	2	ea	
8	FB0872	M12 switch mounting bolts	4	kit	
9	FB0873	M12 transformer cable termination bolts	4	kit	
10	FM0203	Transformer 3 phase cable clamps (per phase)	4	kit	
11	FM0200	Transformer neutral cable clamps	2	ea	
12	FM0208	Cable clamp support section	2	ea	
13	FM0209	Cable clamp support section	2	ea	
16	FB0876	Bus bar cover	2	ea	

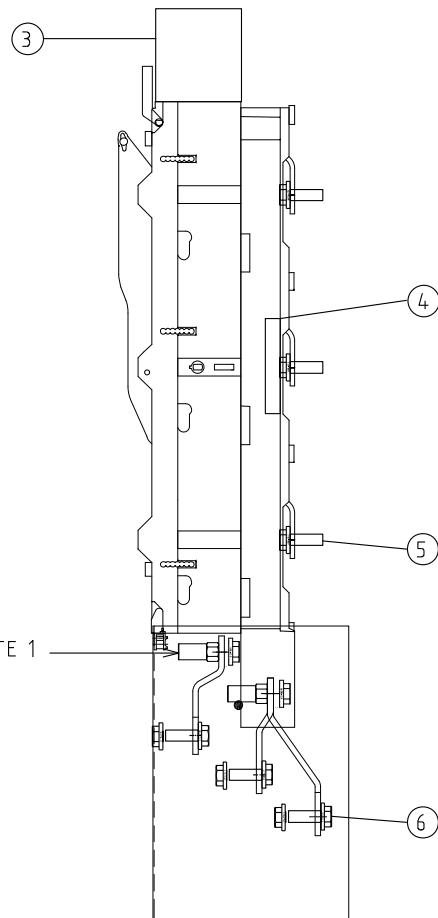
LU65_O		Type 3.1 PENDA O (Outdoor)			
ITEM NUMBER	STOCK CODE	DESCRIPTION	QTY RQD	UNIT OF MEASURE	REMARKS
1	FB0284	Type 3.1 PENDA	1	ea	
2	FB0868	Maximum demand ammeter	2	ea	
3	FB0870	Ammeter panel	2	ea	
4	FB0869	White phase current transformer	2	ea	
5	FB0867	Bus bar supports	5	ea	
6	FB0287	2800A bus bar assembly	1	ea	
7	FB0862	2000A transformer switch disconnecter	2	ea	
8	FB0872	M12 switch mounting bolts	4	kit	
9	FB0873	M12 transformer cable termination bolts	4	kit	
10	FM0203	Transformer 3 phase cable clamps (per phase)	4	kit	
11	FM0200	Transformer neutral cable clamps	2	ea	
12	FM0208	Cable clamp support section	2	ea	
13	FM0209	Cable clamp support section	2	ea	
14	FB0288	Sun shield for Type 2.1 PENDA	1	ea	
15	OH0194	Padlock	2	ea	
16	FB0876	Bus bar cover	2	ea	



PLAN VIEW



FRONT VIEW



SIDE VIEW

NOTE 1

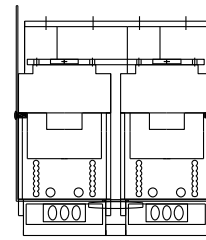
NOTES:-
 1. FOR OPERATIONAL EARTHING - USE STOCK CODE FB0871
 EARTHING KIT ADAPTOR TO SUIT HYLEC PORTABLE EARTHING KIT

				COMPATIBLE UNIT			DISTRIBUTION DESIGN CATALOGUE			
				TITLE			DRAWN: GC	DATE: 08-10-2019	DRG. No.	
				2000A SWITCH DISCONNECTOR			ORIGINATED: GC	SCALE: NTS	LU66	
				WEBER SOUTH PACIFIC			CHECKED: CO		REV. A	
A	01 11 19	ORIGINAL ISSUE		GC	CO	GS	APPROVED: GRANT STACY		SHT.	
REV	DATE	DESCRIPTION		DRN	CHKD	APRD				

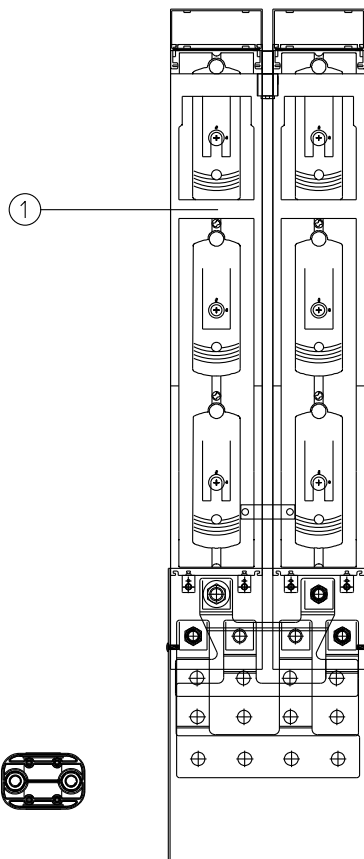
CU	CU Description
-----------	-----------------------

LU66_TX		2000A Tx switch disconnecter (incoming supply to PENDA)			
ITEM NUMBER	STOCK CODE	DESCRIPTION	QTY RQD	UNIT OF MEASURE	REMARKS
1	FB0862	2000A transformer switch disconnecter	1	ea	
2	FB0868	Maximum demand ammeter	1	ea	
3	FB0870	Ammeter panel	1	ea	
4	FB0869	White phase current transformer	1	ea	
5	FB0872	M12 switch mounting bolts	2	kit	
6	FB0873	M12 transformer cable termination bolts (per cable)	2	kit	
7	FM0203	Transformer 3 phase cable clamps (per phase)	2	kit	
8	FM0200	Transformer neutral cable clamps	1	kit	

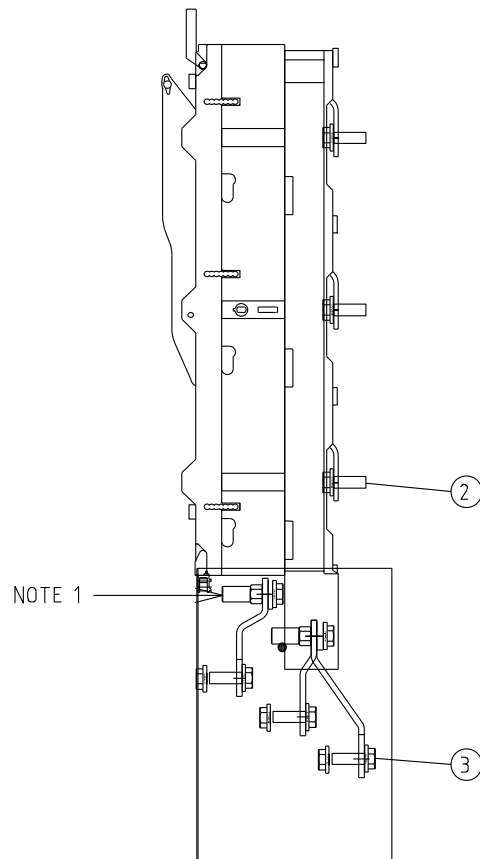
LU66_CUST		2000A Customer switch disconnecter (connection to PENDA)			
ITEM NUMBER	STOCK CODE	DESCRIPTION	QTY RQD	UNIT OF MEASURE	REMARKS
1	FB0862	2000A customers switch disconnecter	1	ea	
2	FB0868	Maximum demand ammeter	1	ea	
3	FB0870	Ammeter panel	1	ea	
4	FB0869	White phase current transformer	1	ea	
5	FB0872	M12 switch mounting bolts	2	kit	
6	FB0873	M12 customer cable termination bolts	4	kit	
7	FM0203	Customer 3 phase cable clamps	4	kit	
8	FM0200	Customer neutral cable clamps	2	kit	



PLAN VIEW



FRONT VIEW



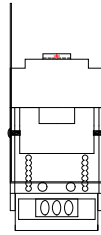
SIDE VIEW

- NOTES:-
 1. FOR OPERATIONAL EARTHING - USE STOCK CODE FB0871
 EARTHING KIT ADAPTOR TO SUIT HYLEC PORTABLE EARTHING KIT
 2. USE 400A HRC FUSES (MAXIMUM)

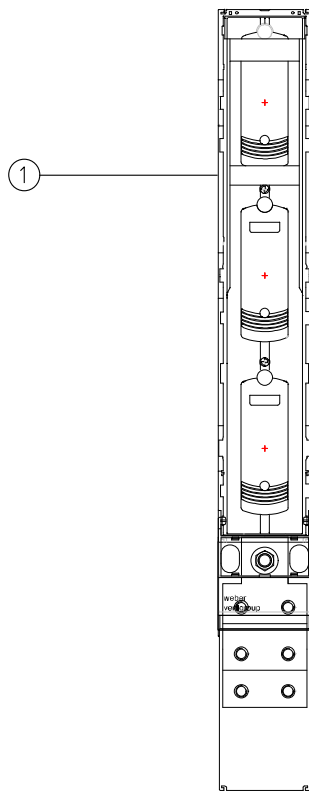
				COMPATIBLE UNIT			DISTRIBUTION DESIGN CATALOGUE			
				TITLE			DRAWN: GC		DATE: 08-10-2019	
				1260A (GANGED 2 x 630A)			ORIGINATED: GC		SCALE: NTS	
				FUSED SWITCH DISCONNECTOR			CHECKED: CD		DRG. No.	
				WEBER SOUTH PACIFIC			APPROVED: GRANT STACY		LU67	
A	01 11 19	ORIGINAL ISSUE		GC	CD	GS			REV. A	
REV	DATE	DESCRIPTION		ORGD.	CHKD.	APRD.			SHT.	

CU	CU Description
-----------	-----------------------

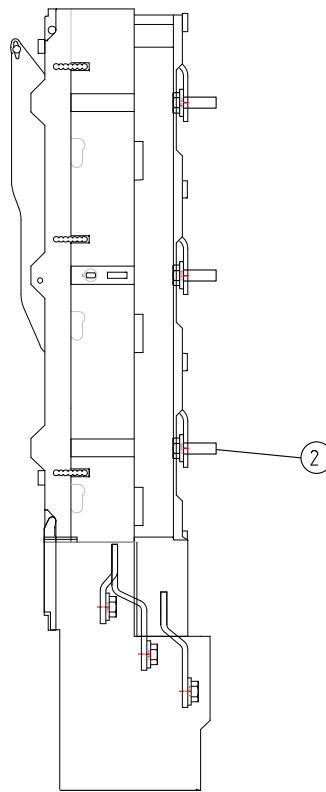
LU67 1260A Fused switch disconnecter (connection to PENDA)					
ITEM NUMBER	STOCK CODE	DESCRIPTION	QTY RQD	UNIT OF MEASURE	REMARKS
1	FB0863	1260A fused switch disconnecter	1	ea	
2	FB0872	M12 switch mounting bolts	2	kit	
3	FB0873	M12 Wavecon cable termination bolts (per cable)	2	kit	
4	FM0204	Wavecon cable clamps (per cable)	2	kit	



PLAN VIEW



FRONT VIEW



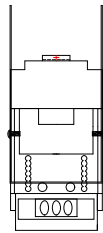
SIDE VIEW

NOTES:-
1. USE 630A HRC FUSES (MAXIMUM)

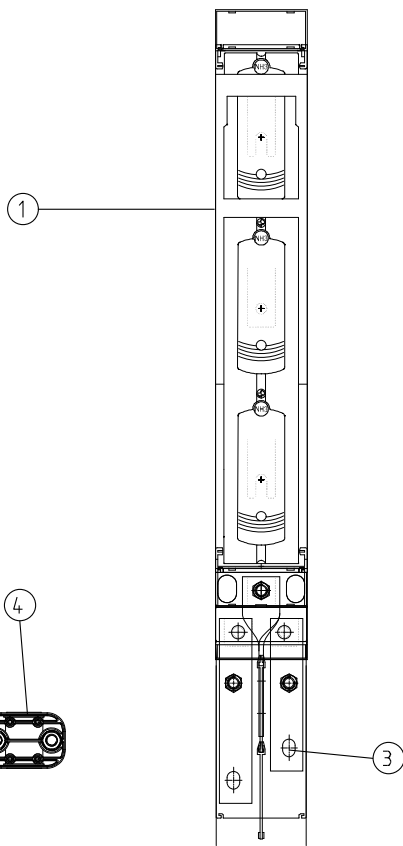
				COMPATIBLE UNIT			DISTRIBUTION DESIGN CATALOGUE					
				TITLE			DRAWN: GC		DATE: 08-10-2019		DRG. No.	
				910A FUSED SWITCH DISCONNECTOR			ORIGINATED: GC		SCALE: NTS		LU68	
				WEBER SOUTH PACIFIC			CHECKED: CO		APPROVED: GRANT STACY		REV. A	
				(FOR ERG CONNECTION TO PENDA)							SHT.	
A	01.11.19	ORIGINAL ISSUE		GC	CO	GS						
REV	DATE	DESCRIPTION		DRN	CHKD	APRD						

CU	CU Description
-----------	-----------------------

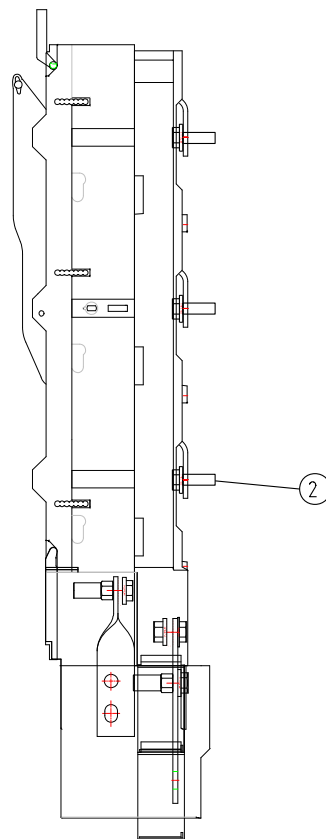
LU68 910A Fused switch disconnecter (connection to PENDA)					
ITEM NUMBER	STOCK CODE	DESCRIPTION	QTY RQD	UNIT OF MEASURE	REMARKS
1	FB0864	910A fused switch disconnecter	1	ea	
2	FB0872	M12 switch mounting bolts	1	kit	



PLAN VIEW



FRONT VIEW



SIDE VIEW

NOTES:-

1. USE 400A HRC FUSES (MAXIMUM)
2. FOR OPERATIONAL EARTHING USE STOCK CODE FB0871 EARTHING KIT ADAPTOR TO SUIT HYLEC PORTABLE EARTHING KIT

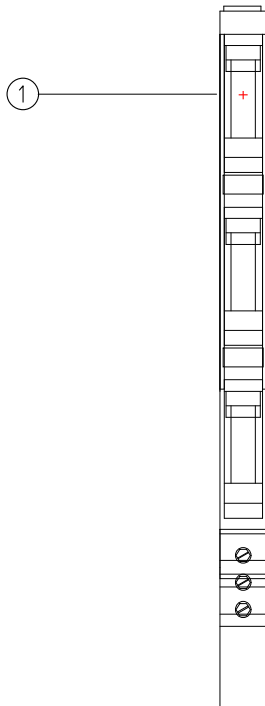
				COMPATIBLE UNIT			DISTRIBUTION DESIGN CATALOGUE			
				TITLE 630A FUSED SWITCH DISCONNECTOR WEBER SOUTH PACIFIC (FOR WAVECON CONNECTION TO PENDA)			DRAWN: GC	DATE: 08-10-2019	DRG. No.	
							ORIGINATED: GC	SCALE: NTS	LU69	
							CHECKED: CO			REV. A
							APPROVED: GRANT STACY			SHT.
A	01.11.19	ORIGINAL ISSUE		GC	CO	GS				
REV	DATE	DESCRIPTION		DRN	CHKD	APRD				

CU	CU Description
-----------	-----------------------

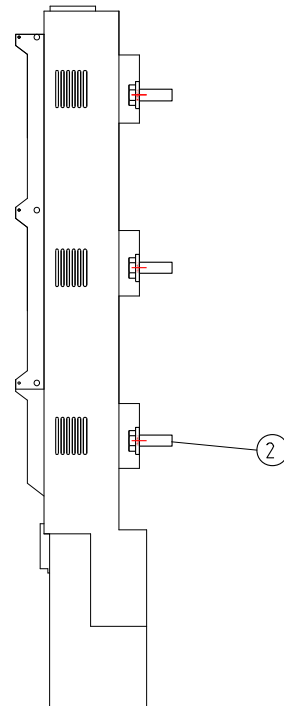
LU69 630A Fused switch disconnecter (connection to PENDA)					
ITEM NUMBER	STOCK CODE	DESCRIPTION	QTY RQD	UNIT OF MEASURE	REMARKS
1	FB0865	630A fused switch disconnecter	1	ea	
2	FB0872	M12 switch mounting bolts	1	kit	
3	FB0873	M12 Wavecon cable termination bolts (per cable)	1	kit	
4	FM0204	Wavecon cable clamps (per cable)	1	kit	



PLAN VIEW



FRONT VIEW



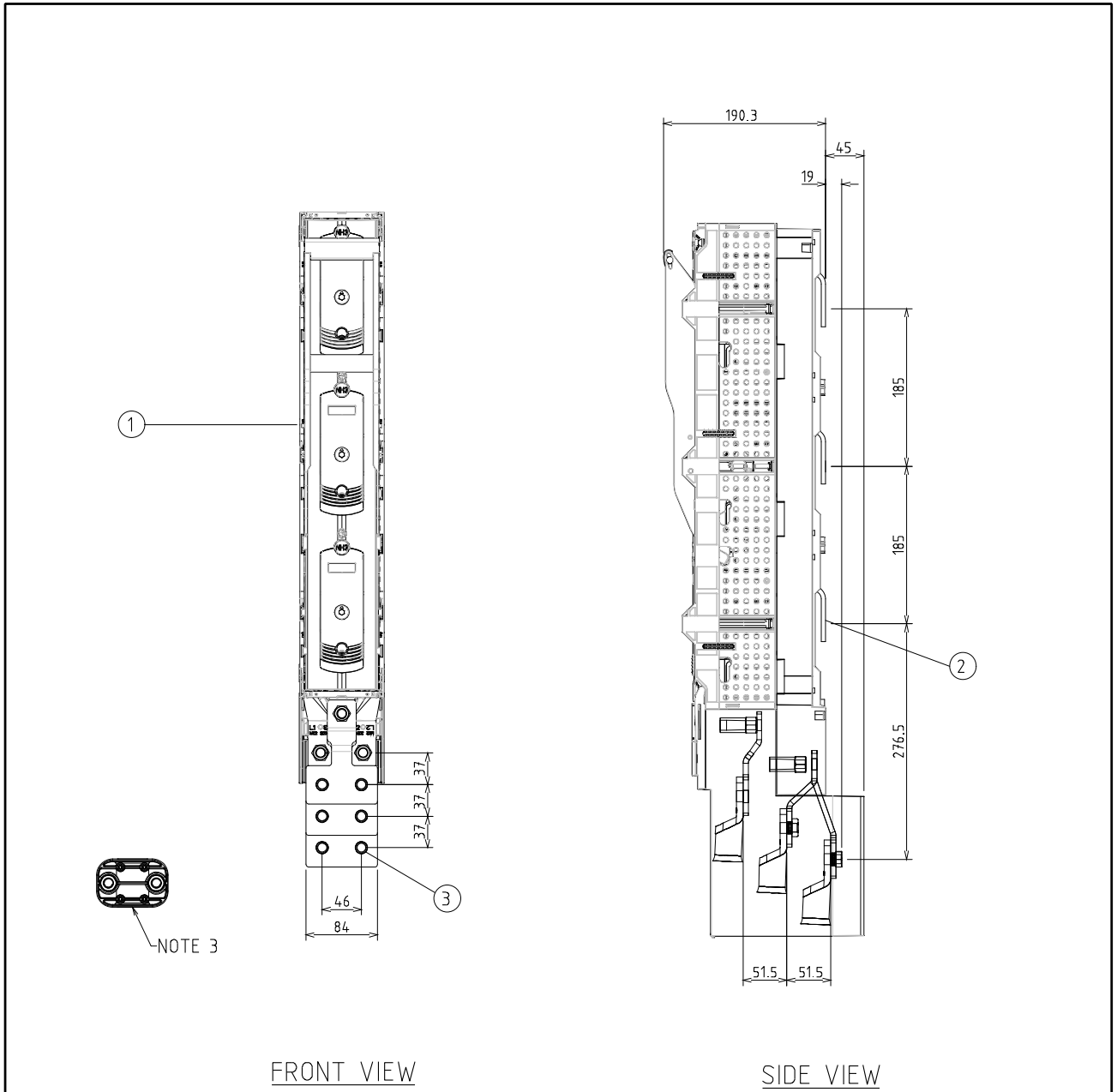
SIDE VIEW

NOTES:-
1. USE 63A HRC FUSES (MAXIMUM)

				COMPATIBLE UNIT			DISTRIBUTION DESIGN CATALOGUE			
				TITLE 160A FUSED SWITCH DISCONNECTOR WEBER SOUTH PACIFIC (FOR 10, 16 & 25mm CABLE TO PENDA)			DRAWN: GC DATE: 08-10-2019		DRG. No.	
							ORIGINATED: GC SCALE: NTS		LU70	
							CHECKED: CO		REV. A	
							APPROVED: GRANT STACY		SHT.	
A	01.11.19	ORIGINAL ISSUE		GC	CO	GS				
REV	DATE	DESCRIPTION		DRN.	CHKD.	APRD.				

CU	CU Description
-----------	-----------------------

LU70 160A Fused switch disconnecter (connection to PENDA)					
ITEM NUMBER	STOCK CODE	DESCRIPTION	QTY RQD	UNIT OF MEASURE	REMARKS
1	FB0866	160A fused switch disconnecter	1	ea	
2	FB0874	M8 switch mounting bolts	1	kit	



- NOTES:-
1. ONLY TO BE USED WHERE THERE IS UPSTREAM LV PROTECTION
 2. FOR OPERATIONAL EARTHING USE STOCK CODE FB0871 EARTHING KIT ADAPTOR TO SUIT HYLEC PORTABLE EARTHING KIT
 3. DESIGNER TO SELECT SUITABLE CABLE CLAMPS AS A NON-CU

				COMPATIBLE UNIT			DISTRIBUTION DESIGN CATALOGUE					
				TITLE			DRAWN: GC		DATE: 29-03-2021		DRG. No.	
				1000A SWITCH DISCONNECTOR			ORIGINATED: GC		SCALE: NTS		LU71	
				WEBER SOUTH PACIFIC			CHECKED: CO		APPROVED:		REV. A	
				(UN-FUSED CONNECTION TO PENDA)			GRANT STACY				SHT.	
A	01.04.21	ORIGINAL ISSUE		GC	CO	GS						
REV	DATE	DESCRIPTION		DRN	CHKD	IAPRD						



Uncontrolled document when printed. Printed copy expires one week from print date.

CU	CU Description
-----------	-----------------------

LU71 1000A Switched disconnecter (un-fused connection to PENDA)					
ITEM NUMBER	STOCK CODE	DESCRIPTION	QTY RQD	UNIT OF MEASURE	REMARKS
1	FB0875	1000A switch disconnecter	1	ea	
2	FB0872	M12 switch mounting bolts	1	kit	
3	FB0873	M12 Wavecon cable termination bolts (per cable)	1	kit	