



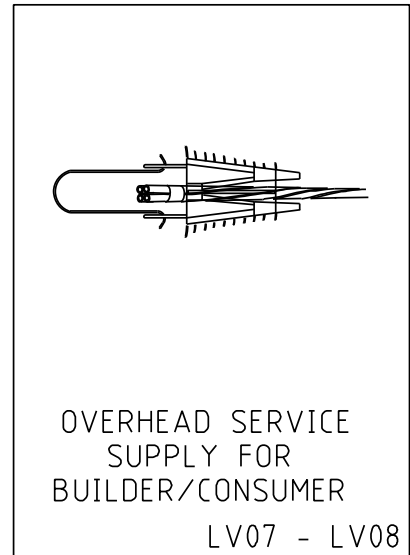
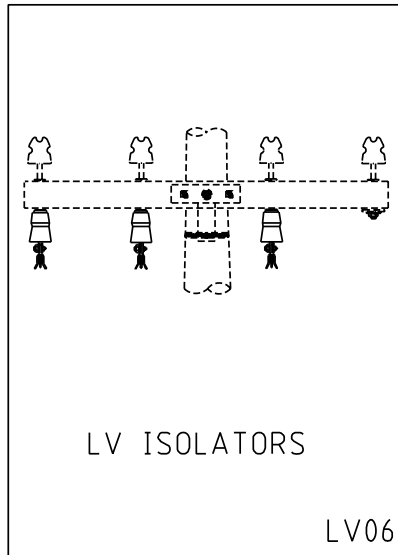
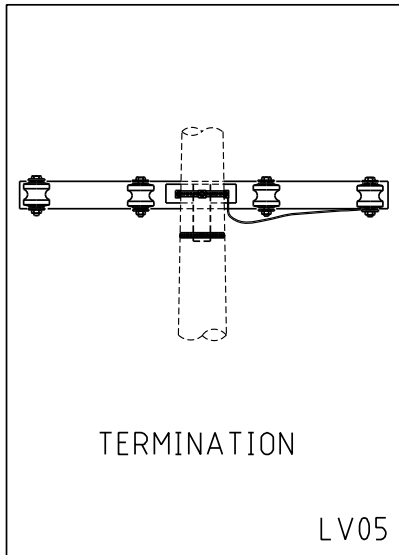
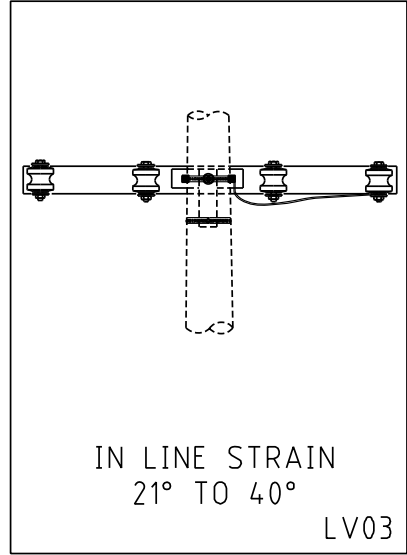
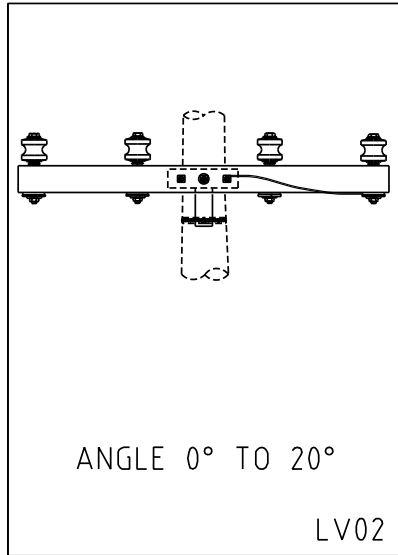
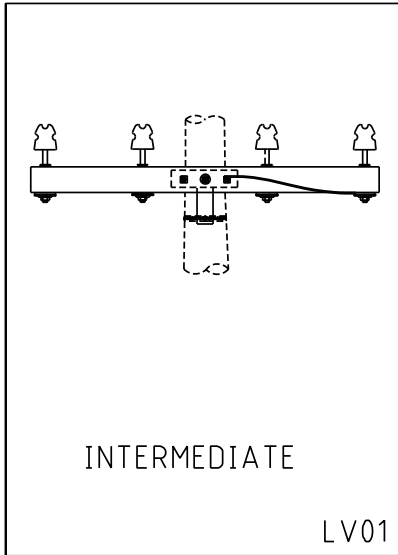
Distribution Design Catalogue

LOW VOLTAGE BARE

Section 04

LV Drawings Revision List

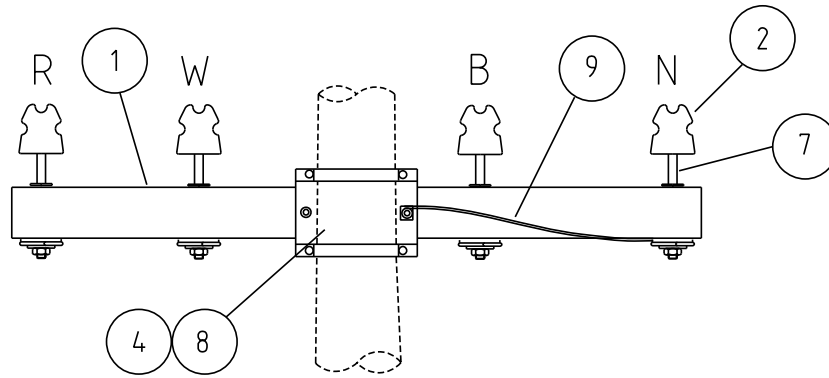
CU	DATE	REVISION	DESCRIPTION OF REVISION
	Sept 2002		Original Issue
	Dec 2005		Refer to Amendment List
	May 2009		Refer to Amendment List
	Dec 2009		Revised Format
	Apr 2011		Refer to Amendment List
	Nov 2014		Refer to Amendment List
	Jan 2015		Refer to Amendment List
	Feb 2015		Refer to Amendment List
	June 2015		Refer to Amendment List
	Feb 2016		Refer to Amendment List
	Oct 2016		Refer to Amendment List
	June 2017		Refer to Amendment List
	Aug 2017		Refer to Amendment List
	Feb 2021		3-Yearly periodic review
	Aug 2021		Refer to Amendment List
	Sep 2022		Refer to Amendment List



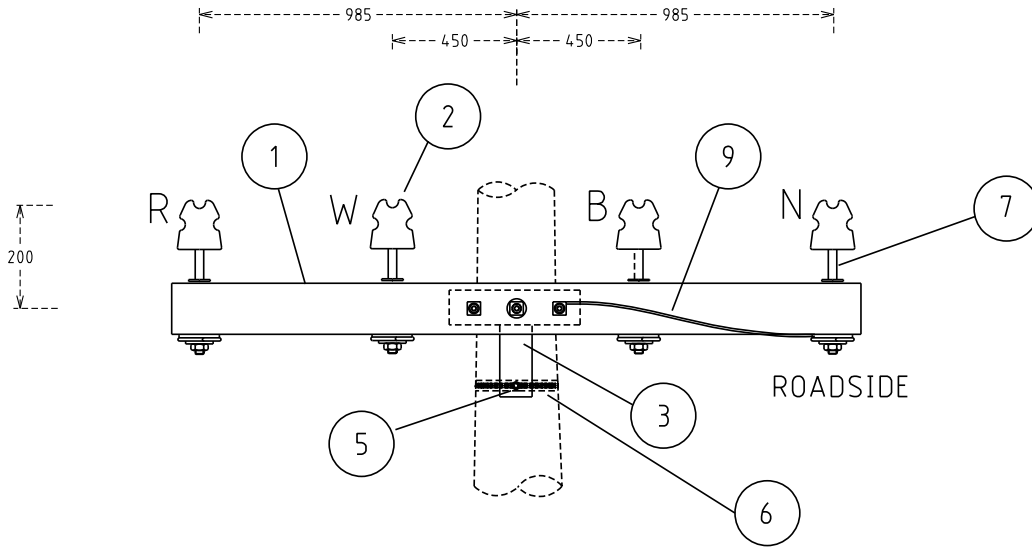
				COMPATIBLE UNIT			DISTRIBUTION DESIGN CATALOGUE			
				TITLE			DRAWN: JRR DATE: 17-06-2016 DRG. No.			
				LV COMPATIBLE UNITS			ORIGINATED: SCALE: NTS		LV INDEX	
							CHECKED: REE		REV. B	
							APPROVED: GRANT STACY		SHT.	
REV	DATE	DESCRIPTION	ORGD.	CHKD.	APRD.					
B	16 01 15	FORMAT CHANGED AND LV03 TITLE REVISED	AK	DVT	GS					
A	17 04 03	ORIGINAL ISSUE								

Low Voltage Bare CU List

CU	CU DESCRIPTION
LV1_C1	Intermediate concrete 1 phase
LV1_C3	Intermediate_ concrete 3 phase
LV1_W1	Intermediate wood 1 phase
LV1_W3	Intermediate wood 3 phase
LV1_C1G	Intermediate concrete 1 phase (Geraldton District only)
LV1_C3G	Intermediate_ concrete 3 phase (Geraldton District only)
LV1_W1G	Intermediate wood 1 phase (Geraldton District only)
LV1_W3G	Intermediate wood 3 phase (Geraldton District only)
LV2_C1	Angle 0 to 20_ concrete 1 phase
LV2_C3	Angle 0 to 20_ concrete 3 phase
LV2_W1	Angle 0 to 20_ wood 1 phase
LV2_W3	Angle 0 to 20_ wood 3 phase
LV2_C1G	Angle 0 to 20_ concrete 1 phase (Geraldton District only)
LV2_C3G	Angle 0 to 20_ concrete 3 phase (Geraldton District only)
LV2_W1G	Angle 0 to 20_ wood 1 phase (Geraldton District only)
LV2_W3G	Angle 0 to 20_ wood 3 phase (Geraldton District only)
LV3_C1	In line strain - angle 20 to 40_ concrete 1 phase
LV3_C3	In line strain - angle 20 to 40_ concrete 1 phase
LV3_W1	In line strain-angle 20 to 40_ wood 1 phase
LV3_W3	In line strain-angle 20 to 40_ wood 3 phase
LV3_C1G	In line strain - angle 20 to 40_ concrete 1 phase (Geraldton District only)
LV3_C3G	In line strain - angle 20 to 40_ concrete 1 phase (Geraldton District only)
LV3_W1G	In line strain-angle 20 to 40_ wood 1 phase (Geraldton District only)
LV3_W3G	In line strain-angle 20 to 40_ wood 3 phase (Geraldton District only)
LV5_C1	Termination_ concrete 1 phase
LV5_C3	Termination_ concrete 3 phase
LV5_W1	Termination_ wood 1 phase
LV5_W3	Termination_ wood 3 phase
LV5_C1G	Termination_ concrete 1 phase (Geraldton District only)
LV5_C3G	Termination_ concrete 3 phase (Geraldton District only)
LV5_W1G	Termination_ wood 1 phase (Geraldton District only)
LV5_W3G	Termination_ wood 3 phase (Geraldton District only)
LV6_600A	LV isolators underslung 600V-600A
LV7_1P	Single phase overhead temporary builders supply
LV7_3P	Three phase overhead temporary builders supply
LV8_1P	Single phase overhead permanent customer supply
LV8_3P	Three phase overhead permanent customer supply



THREE PHASE (CONCRETE)

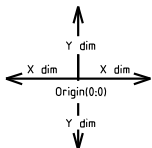


THREE PHASE (WOOD)

Design Dimensions

Phase	X dim	Y dim
red	985	200
white	450	200
blue	450	200
neutral	985	200

Origin - King bolt (0:0)



				COMPATIBLE UNIT			DISTRIBUTION DESIGN CATALOGUE			
				TITLE			DRAWN: JRR		DATE: 15-04-2014	
				INTERMEDIATE			ORIGINATED: REE		SCALE: NTS	
							CHECKED: REE		DRG. No. LV01	
							APPROVED: GRANT STACY		REV. E	
R. No.	DATE	DESCRIPTION	ORGO.	CHED.	APRD.					
E	04.06.15	BONDING KIT ADDED	CO	JC	GS					
D	15.01.15	FORMAT CHANGED	JC	REE	GS					
C	28.03.13	ORIGINAL ISSUE								

CU	CU Description
----	----------------

LV1_C1		Intermediate_concrete 1 phase			
ITEM NUMBER	STOCK CODE	DESCRIPTION	QTY ROD	UNIT OF MEASURE	REMARKS
1	CX0228	composite xarm	1	ea	
2	IA0105	insulator porcelain	2	ea	
4	CB3051	mounting bracket with nuts and bolts	1	ea	
7	CP1041	pin assembly	2	ea	
8	CB7541	Clamp strap	2	ea	

LV1_C3		Intermediate_concrete 3 phase			
ITEM NUMBER	STOCK CODE	DESCRIPTION	QTY ROD	UNIT OF MEASURE	REMARKS
1	CX0228	composite xarm	1	ea	
2	IA0105	insulator porcelain	4	ea	
4	CB3051	mounting bracket with nuts and bolts	1	ea	
7	CP1041	pin assembly	4	ea	
8	CB7541	Clamp strap	2	ea	

LV1_W1		Intermediate_wood 1 phase			
ITEM NUMBER	STOCK CODE	DESCRIPTION	QTY ROD	UNIT OF MEASURE	REMARKS
1	CX0228	composite xarm	1	ea	
2	IA0105	insulator porcelain	2	ea	
3	CB3025	T bracket with nuts and bolts	1	ea	
5	AB6732	Pole bolt -16 dia x 550mm lg with nut and washers	2	ea	
6	CE7541	dispersion plate	2	ea	
7	CP1041	pin assembly	2	ea	

LV1_W3		Intermediate_wood 3 phase			
ITEM NUMBER	STOCK CODE	DESCRIPTION	QTY ROD	UNIT OF MEASURE	REMARKS
1	CX0228	composite xarm	1	ea	
2	IA0105	insulator porcelain	4	ea	
3	CB3025	T bracket with nuts and bolts	1	ea	
5	AB6732	Pole bolt -16 dia x 550mm lg with nut and washers	2	ea	
6	CE7541	dispersion plate	2	ea	
7	CP1041	pin assembly	4	ea	

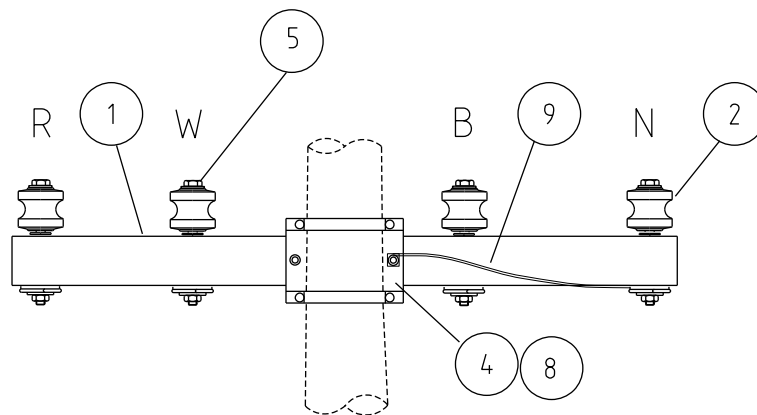
CU	CU Description
----	----------------

LV1_C1G Intermediate_concrete 1 phase (Geraldton District only)					
ITEM NUMBER	STOCK CODE	DESCRIPTION	QTY ROD	UNIT OF MEASURE	REMARKS
1	CX0028	wood xarm	1	ea	
2	IA0105	insulator porcelain	2	ea	
4	CB3051	mounting bracket with nuts and bolts	1	ea	
7	CP1041	pin assembly	2	ea	
8	CB7541	Clamp strap	2	ea	
9	CE7544	bonding kit	1	ea	

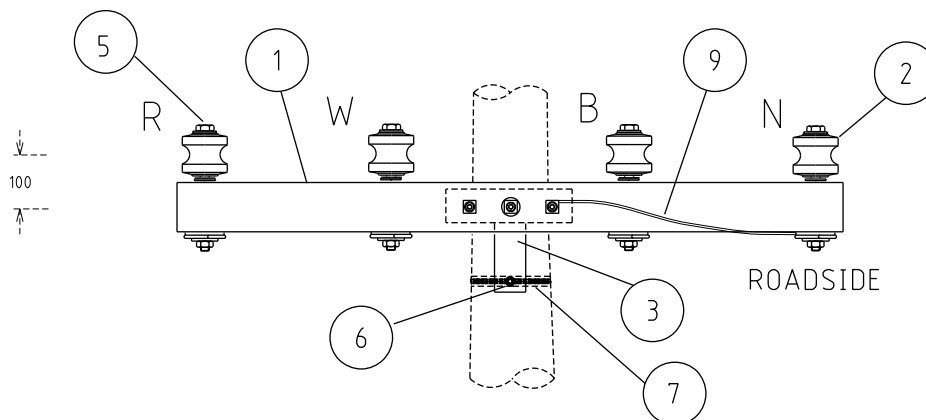
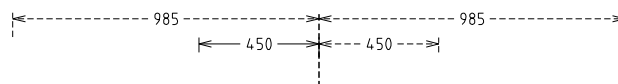
LV1_C3G Intermediate_concrete 3 phase (Geraldton District only)					
ITEM NUMBER	STOCK CODE	DESCRIPTION	QTY ROD	UNIT OF MEASURE	REMARKS
1	CX0028	wood xarm	1	ea	
2	IA0105	insulator porcelain	4	ea	
4	CB3051	mounting bracket with nuts and bolts	1	ea	
7	CP1041	pin assembly	4	ea	
8	CB7541	Clamp strap	2	ea	
9	CE7544	bonding kit	1	ea	

LV1_W1G Intermediate_wood 1 phase (Geraldton District only)					
ITEM NUMBER	STOCK CODE	DESCRIPTION	QTY ROD	UNIT OF MEASURE	REMARKS
1	CX0028	wood xarm	1	ea	
2	IA0105	insulator porcelain	2	ea	
3	CB3025	T bracket with nuts and bolts	1	ea	
5	AB6732	Pole bolt -16 dia x 550mm lg with nut and washers	2	ea	
7	CP1041	pin assembly	2	ea	
9	CE7544	bonding kit	1	ea	

LV1_W3G Intermediate_wood 3 phase (Geraldton District only)					
ITEM NUMBER	STOCK CODE	DESCRIPTION	QTY ROD	UNIT OF MEASURE	REMARKS
1	CX0028	wood xarm	1	ea	
2	IA0105	insulator porcelain	4	ea	
3	CB3025	T bracket with nuts and bolts	1	ea	
5	AB6732	Pole bolt -16 dia x 550mm lg with nut and washers	2	ea	
7	CP1041	pin assembly	4	ea	
9	CE7544	bonding kit	1	ea	



THREE PHASE (CONCRETE)

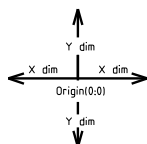


THREE PHASE (WOOD)

Design Dimensions

Phase	X dim	Y dim
red	985	100
white	450	100
blue	450	100
neutral	985	100

Origin - King bolt (0:0)



				COMPATIBLE UNIT		DISTRIBUTION DESIGN CATALOGUE			
				TITLE		DRAWN: JRR DATE: 17-04-2014		ORG. No.	
				ANGLE 0° - 20°		ORIGINATED: SCALE: NTS		LV02	
						CHECKED: REE		REV. SHT.	
						APPROVED: GRANT STACY		E	
R. No.	DATE	DESCRIPTION	ORGO.	CHEG.	APRD.				
E	04.06.15	BONDING KIT ADDED		CO	JC	GS			
D	16.01.15	FORMAT CHANGED		JC	REE	GS			
C	28.03.13	ORIGINAL ISSUE							

CU	CU Description
----	----------------

LV2_C1 angle 0 to 20_ concrete 1 phase					
ITEM NUMBER	STOCK CODE	DESCRIPTION	QTY ROD	UNIT OF MEASURE	REMARKS
1	CX0228	composite xarm	1	ea	
2	IA0256	shackle insulator	2	ea	
4	CB3051	mounting bracket with nuts and bolts	1	ea	
5	AB6734	Pole bolt 16 dia x 300 lg with nut and washers	4	ea	
8	CB7541	Clamp strap	2	ea	

LV2_C3 angle 0 to 20_ concrete 3 phase					
ITEM NUMBER	STOCK CODE	DESCRIPTION	QTY ROD	UNIT OF MEASURE	REMARKS
1	CX0228	composite xarm	1	ea	
2	IA0256	shackle insulator	4	ea	
4	CB3051	mounting bracket with nuts and bolts	1	ea	
5	AB6734	Pole bolt 16 dia x 300 lg with nut and washers	4	ea	
8	CB7541	Clamp strap	2	ea	

LV2_W1 angle 0 to 20_ wood 1 phase					
ITEM NUMBER	STOCK CODE	DESCRIPTION	QTY ROD	UNIT OF MEASURE	REMARKS
1	CX0228	composite xarm	1	ea	
2	IA0256	shackle insulator	2	ea	
3	CB3025	T bracket with nuts and bolts	1	ea	
5	AB6734	Pole bolt- 16 dia x 300mm lg with nut and washers	2	ea	
6	AB6732	Pole bolt -16 dia x 550mm lg with nut and washers	2	ea	
7	CE7541	dispersion plate	2	ea	

LV2_W3 angle 0 to 20_ wood 3 phase					
ITEM NUMBER	STOCK CODE	DESCRIPTION	QTY ROD	UNIT OF MEASURE	REMARKS
1	CX0228	composite xarm	1	ea	
2	IA0256	shackle insulator	4	ea	
3	CB3025	T bracket with nuts and bolts	1	ea	
5	AB6734	Pole bolt- 16 dia x 300mm lg with nut and washers	4	ea	
6	AB6732	Pole bolt -16 dia x 550mm lg with nut and washers	2	ea	
7	CE7541	dispersion plate	2	ea	

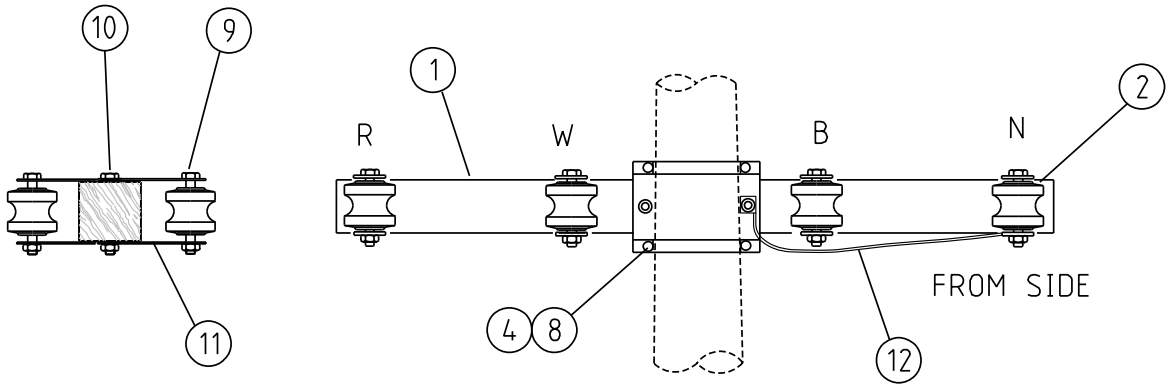
CU	CU Description
----	----------------

LV2_C1G angle 0 to 20_ concrete 1 phase (Geraldton District only)					
ITEM NUMBER	STOCK CODE	DESCRIPTION	QTY ROD	UNIT OF MEASURE	REMARKS
1	CX0028	wood xarm	1	ea	
2	IA0256	shackle insulator	2	ea	
4	CB3051	mounting bracket with nuts and bolts	1	ea	
5	AB6734	Pole bolt 16 dia x 300 lg with nut and washers	4	ea	
8	CB7541	Clamp strap	2	ea	
9	CE7544	bonding kit	1	ea	

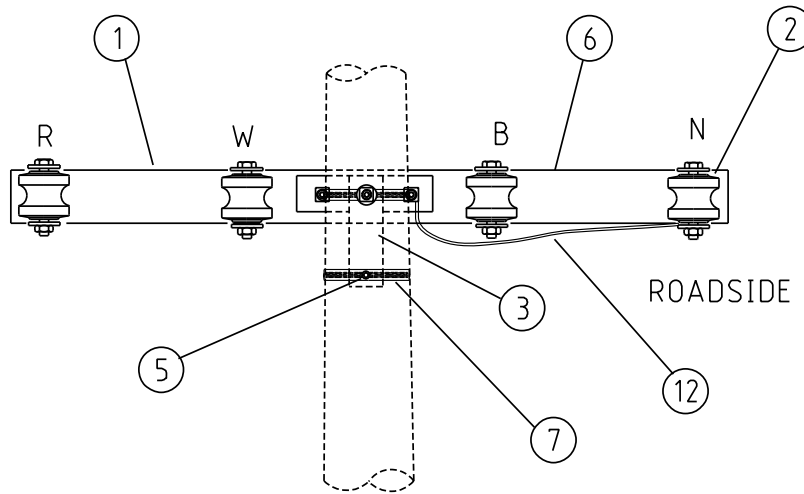
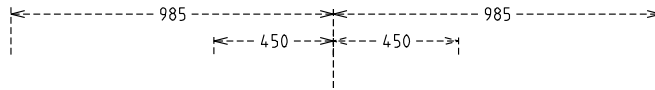
LV2_C3G angle 0 to 20_ concrete 3 phase (Geraldton District only)					
ITEM NUMBER	STOCK CODE	DESCRIPTION	QTY ROD	UNIT OF MEASURE	REMARKS
1	CX0028	wood xarm	1	ea	
2	IA0256	shackle insulator	4	ea	
4	CB3051	mounting bracket with nuts and bolts	1	ea	
5	AB6734	Pole bolt 16 dia x 300 lg with nut and washers	4	ea	
8	CB7541	Clamp strap	2	ea	
9	CE7544	bonding kit	2	ea	

LV2_W1G angle 0 to 20_ wood 1 phase (Geraldton District only)					
ITEM NUMBER	STOCK CODE	DESCRIPTION	QTY ROD	UNIT OF MEASURE	REMARKS
1	CX0028	wood xarm	1	ea	
2	IA0256	shackle insulator	2	ea	
3	CB3025	T bracket with nuts and bolts	1	ea	
5	AB6734	Pole bolt- 16 dia x 300mm lg with nut and washers	2	ea	
6	AB6732	Pole bolt -16 dia x 550mm lg with nut and washers	2	ea	
9	CE7544	bonding kit	1	ea	

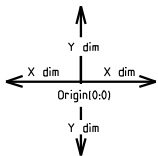
LV2_W3G angle 0 to 20_ wood 3 phase (Geraldton District only)					
ITEM NUMBER	STOCK CODE	DESCRIPTION	QTY ROD	UNIT OF MEASURE	REMARKS
1	CX0028	wood xarm	1	ea	
2	IA0256	shackle insulator	4	ea	
3	CB3025	T bracket with nuts and bolts	1	ea	
5	AB6734	Pole bolt- 16 dia x 300mm lg with nut and washers	4	ea	
6	AB6732	Pole bolt -16 dia x 550mm lg with nut and washers	2	ea	
9	CE7544	bonding kit	1	ea	



THREE PHASE (CONCRETE)



THREE PHASE (WOOD)



Design Dimensions

Phase	X dim	Y dim
red	985	0
white	450	0
blue	450	0
neutral	985	0

Origin - King bolt (0:0)

				COMPATIBLE UNIT			DISTRIBUTION DESIGN CATALOGUE			
				TITLE			DRAWN: JRR DATE: 17-04-2014 DRG. No.		LV03	
				IN LINE STRAIN OR ANGLE 21° - 40°			ORIGINATED: SCALE: NTS			
							CHECKED: REE			
							APPROVED: GRANT STACY		REV. E SHT.	
REV	DATE	DESCRIPTION	ORGO.	CHKD.	APRD.					

CU	CU Description
----	----------------

LV3_C1 in line strain-angle 20 to 40_conc 1ph					
ITEM NUMBER	STOCK CODE	DESCRIPTION	QTY RQD	UNIT OF MEASURE	REMARKS
1	CX0228	composite xarm	1	ea	
2	IA0256	shackle insulator	4	ea	
4	CB3051	mounting bracket with nuts and bolts	1	ea	
8	CB7541	Clamp strap	2	ea	
9	AB4614	M16x150 bolt with nut	4	ea	
10	AB4614	M16x150 bolt with nut	2	ea	
11	CB0527	shackle straps	8	ea	

LV3_C3 in line strain-angle 20 to 40_conc 3ph					
ITEM NUMBER	STOCK CODE	DESCRIPTION	QTY RQD	UNIT OF MEASURE	REMARKS
1	CX0228	composite xarm	1	ea	
2	IA0256	shackle insulator	8	ea	
4	CB3051	mounting bracket with nuts and bolts	1	ea	
8	CB7541	Clamp strap	2	ea	
9	AB4614	M16x150 bolt with nut	8	ea	
10	AB4614	M16x150 bolt with nut	4	ea	
11	CB0527	shackle straps	16	ea	

LV3_W1 in line strain-angle 20 to 40_wood 1ph					
ITEM NUMBER	STOCK CODE	DESCRIPTION	QTY RQD	UNIT OF MEASURE	REMARKS
1	CX0228	composite xarm	1	ea	
2	IA0256	shackle insulator	4	ea	
3	CB3025	T bracket with nuts and bolts	1	ea	
5	AB6732	Pole bolt M16x550	2	ea	
7	CE7541	dispersion plate	2	ea	
9	AB4614	M16x150 bolt with nut	4	ea	
10	AB4614	M16x150 bolt with nut	2	ea	
11	CB0527	shackle straps	8	ea	

CU	CU Description
----	----------------

LV3_W3 in line strain-angle 20 to 40_wood 3ph					
ITEM NUMBER	STOCK CODE	DESCRIPTION	QTY ROD	UNIT OF MEASURE	REMARKS
1	CX0228	composite xarm	1	ea	
2	IA0256	shackle insulator	8	ea	
3	CB3025	T bracket with nuts and bolts	1	ea	
5	AB6732	Pole bolt M16x550	2	ea	
7	CE7541	dispersion plate	2	ea	
9	AB4614	M16x150 bolt with nut	8	ea	
10	AB4614	M16x150 bolt with nut	4	ea	
11	CB0527	shackle straps	16	ea	

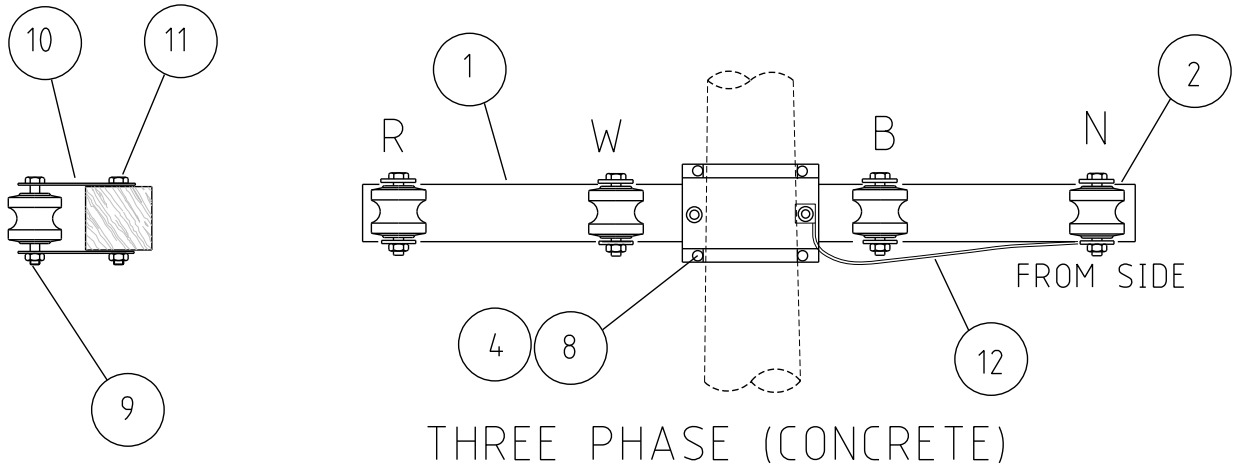
LV3_C1G in line strain-angle 20 to 40_conc 1ph (Geraldton District only)					
ITEM NUMBER	STOCK CODE	DESCRIPTION	QTY ROD	UNIT OF MEASURE	REMARKS
1	CX0127	xarm wood	1	ea	
2	IA0256	shackle insulator	4	ea	
4	CB3051	mounting bracket with nuts and bolts	1	ea	
8	CB7541	Clamp strap	2	ea	
9	AB4614	M16x150 bolt with nut	4	ea	
10	AB6734	Pole bolt M16x300	2	ea	Cut to length
11	CB0527	shackle straps	8	ea	
12	CE7544	bonding kit	1	ea	

LV3_C3G in line strain-angle 20 to 40_conc 3ph (Geraldton District only)					
ITEM NUMBER	STOCK CODE	DESCRIPTION	QTY ROD	UNIT OF MEASURE	REMARKS
1	CX0127	xarm wood	1	ea	
2	IA0256	shackle insulator	8	ea	
4	CB3051	mounting bracket with nuts and bolts	1	ea	
8	CB7541	Clamp strap	2	ea	
9	AB4614	M16x150 bolt with nut	8	ea	
10	AB6734	Pole bolt M16x300	4	ea	Cut to length
11	CB0527	shackle straps	16	ea	
12	CE7544	bonding kit	1	ea	

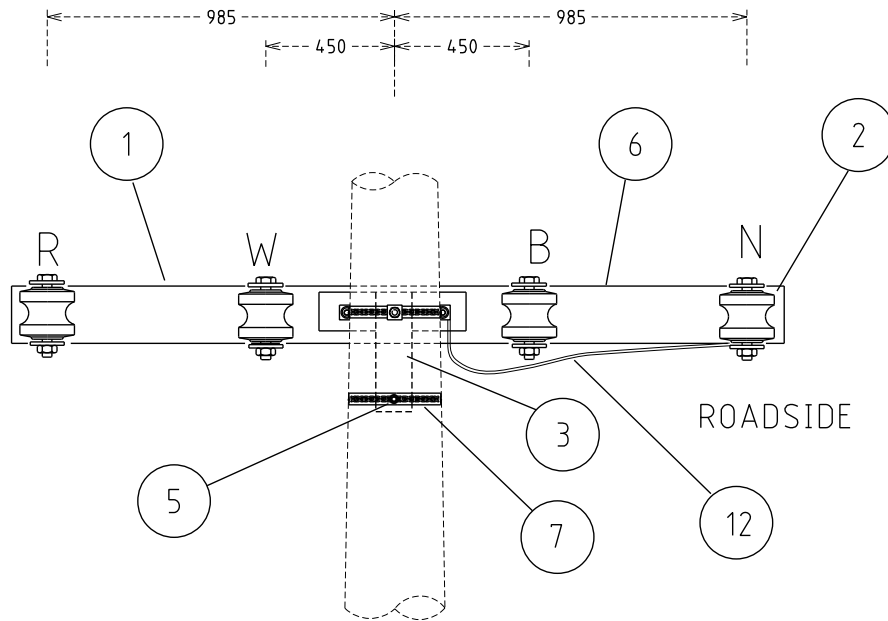
CU	CU Description
----	----------------

LV3_W1G in line strain-angle 20 to 40_wood 1ph (Geraldton District only)					
ITEM NUMBER	STOCK CODE	DESCRIPTION	QTY ROD	UNIT OF MEASURE	REMARKS
1	CX0127	xarm wood	1	ea	
2	IA0256	shackle insulator	4	ea	
3	CB3025	T bracket with nuts and bolts	1	ea	
5	AB6732	Pole bolt M16x550	2	ea	
9	AB4614	M16x150 bolt with nut	4	ea	
10	AB6734	Pole bolt M16x300	2	ea	Cut to length
11	CB0527	shackle straps	8	ea	
12	CE7544	bonding kit	1	ea	

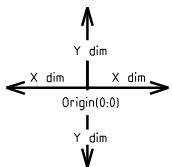
LV3_W3G in line strain-angle 20 to 40_wood 3ph (Geraldton District only)					
ITEM NUMBER	STOCK CODE	DESCRIPTION	QTY ROD	UNIT OF MEASURE	REMARKS
1	CX0127	xarm wood	1	ea	
2	IA0256	shackle insulator	8	ea	
3	CB3025	T bracket with nuts and bolts	1	ea	
5	AB6732	Pole bolt M16x550	2	ea	
9	AB4614	M16x150 bolt with nut	8	ea	
10	AB6734	Pole bolt M16x300	4	ea	Cut to length
11	CB0527	shackle straps	16	ea	
12	CE7544	bonding kit	1	ea	



THREE PHASE (CONCRETE)



THREE PHASE (WOOD)



Design Dimensions

Phase	X dim	Y dim
red	985	0
white	450	0
blue	450	0
neutral	985	0

Origin - King bolt (0:0)

				COMPATIBLE UNIT		DISTRIBUTION DESIGN CATALOGUE			
				TITLE		DRAWN: JRR DATE: 17-04-2014		DRG. No.	
				TERMINATION		ORIGINATED: SCALE: NTS		LV05	
						CHECKED: REE		APPROVED: GRANT STACY	
						APPROVED: GRANT STACY		REV. E SHT.	
R. No	DATE	DESCRIPTION	ORGD.	CHED.	APRD.				
E	04.06.15	BONDING KIT ADDED	CO	JC	GS				
D	16.01.15	FORMAT CHANGED	JC	REE	GS				
C	23.03.13	ORIGINAL ISSUE							

CU	CU Description
----	----------------

LV5_C1		Termination_concrete 1 phase			
ITEM NUMBER	STOCK CODE	DESCRIPTION	QTY ROD	UNIT OF MEASURE	REMARKS
1	CX0228	composite xarm	1	ea	
2	IA0256	shackle insulator	2	ea	
4	CB3051	mounting bracket with nuts and bolts	1	ea	
8	CB7541	Clamp strap	2	ea	
9	AB4614	M16x150 bolt with nut	2	ea	
10	CB0527	shackle straps	4	ea	
11	AB4614	M16x150 bolt with nut	2	ea	

LV5_C3		Termination_ concrete 3 phase			
ITEM NUMBER	STOCK CODE	DESCRIPTION	QTY ROD	UNIT OF MEASURE	REMARKS
1	CX0228	composite xarm	1	ea	
2	IA0256	shackle insulator	4	ea	
4	CB3051	mounting bracket with nuts and bolts	1	ea	
8	CB7541	Clamp strap	2	ea	
9	AB4614	M16x150 bolt with nut	4	ea	
10	CB0527	shackle straps	8	ea	
11	AB4614	M16x150 bolt with nut	4	ea	

LV5_W1		Termination _ wood 1 phase			
ITEM NUMBER	STOCK CODE	DESCRIPTION	QTY ROD	UNIT OF MEASURE	REMARKS
1	CX0228	composite xarm	1	ea	
2	IA0256	shackle insulator	2	ea	
3	CB3025	T bracket with nuts and bolts	1	ea	
5	AB6732	Pole bolt M16x550	2	ea	
7	CE7541	dispersion platebonding kit	2	ea	
9	AB4614	M16x150 bolt with nut	2	ea	
10	CB0527	shackle straps	4	ea	
11	AB4614	M16x150 bolt with nut	2	ea	

CU	CU Description
----	----------------

LV5_W3		Termination_ wood 3 phase			
ITEM NUMBER	STOCK CODE	DESCRIPTION	QTY ROD	UNIT OF MEASURE	REMARKS
1	CX0228	composite xarm	1	ea	
2	IA0256	shackle insulator	4	ea	
3	CB3025	T bracket with nuts and bolts	1	ea	
5	AB6732	Pole bolt M16x550	2	ea	
7	CE7541	dispersion plate	2	ea	
9	AB4614	M16x150 bolt with nut	4	ea	
10	CB0527	shackle straps	8	ea	
11	AB4614	M16x150 bolt with nut	4	ea	

LV5_C1G		Termination_concrete 1 phase (Geraldton District only)			
ITEM NUMBER	STOCK CODE	DESCRIPTION	QTY ROD	UNIT OF MEASURE	REMARKS
1	CX0127	xarm wood	1	ea	
2	IA0256	shackle insulator	2	ea	
4	CB3051	mounting bracket with nuts and bolts	1	ea	
8	CB7541	Clamp strap	2	ea	
9	AB4614	M16x150 bolt with nut	2	ea	
10	CB0527	shackle straps	4	ea	
11	AB6734	Pole bolt M16x300	2	ea	Cut to length
12	CE7544	bonding kit	1	ea	

LV5_C3G		Termination_concrete 3 phase (Geraldton District only)			
ITEM NUMBER	STOCK CODE	DESCRIPTION	QTY ROD	UNIT OF MEASURE	REMARKS
1	CX0127	xarm wood	1	ea	
2	IA0256	shackle insulator	4	ea	
4	CB3051	mounting bracket with nuts and bolts	1	ea	
8	CB7541	Clamp strap	2	ea	
9	AB4614	M16x150 bolt with nut	4	ea	
10	CB0527	shackle straps	8	ea	
11	AB6734	Pole bolt M16x300	4	ea	Cut to length
12	CE7544	bonding kit	1	ea	

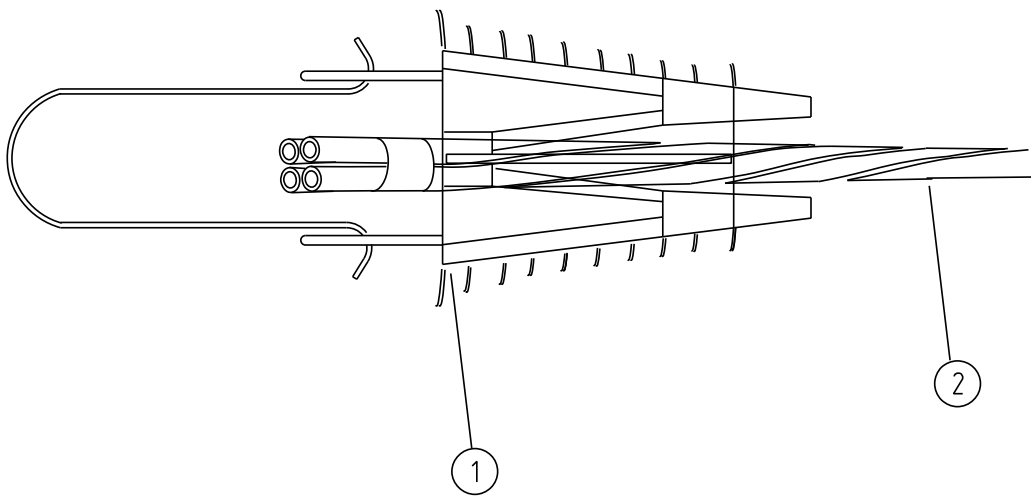
CU	CU Description
----	----------------

LV5_W1G		Termination _ wood 1 phase (Geraldton District only)			
ITEM NUMBER	STOCK CODE	DESCRIPTION	QTY RQD	UNIT OF MEASURE	REMARKS
1	CX0127	xarm wood	1	ea	
2	IA0256	shackle insulator	2	ea	
3	CB3025	T bracket with nuts and bolts	1	ea	
5	AB6732	Pole bolt M16x550	2	ea	
9	AB4614	M16x150 bolt with nut	2	ea	
10	CB0527	shackle straps	4	ea	
11	AB6734	Pole bolt M16x300	2	ea	Cut to length
12	CE7544	bonding kit	1	ea	

LV5_W3G		Termination_ wood 3 phase (Geraldton District only)			
ITEM NUMBER	STOCK CODE	DESCRIPTION	QTY RQD	UNIT OF MEASURE	REMARKS
1	CX0127	xarm wood	1	ea	
2	IA0256	shackle insulator	4	ea	
3	CB3025	T bracket with nuts and bolts	1	ea	
5	AB6732	Pole bolt M16x550	2	ea	
9	AB4614	M16x150 bolt with nut	4	ea	
10	CB0527	shackle straps	8	ea	
11	AB6734	Pole bolt M16x300	4	ea	Cut to length
12	CE7544	bonding kit	1	ea	

CU	CU Description
----	----------------

LV6_600A		LV isolators underslung 600V-600A			
ITEM NUMBER	STOCK CODE	DESCRIPTION	QTY ROD	UNIT OF MEASURE	REMARKS
1	GS0062	Disconnect switch 600V 630A with nuts and bolts	3	ea	



				COMPATIBLE UNIT			DISTRIBUTION DESIGN CATALOGUE				
				TITLE			DRAWN: JRR		DATE: 17-04-2014		DRG. No.
				OVERHEAD SERVICE SUPPLY FOR BUILDER/CONSUMER			ORIGINATED:		SCALE: NTS		LV07&08
							CHECKED: REE		APPROVED:		REV. B
							GRANT STACY				SHT.
R. No.	DATE	DESCRIPTION	ORGD.	CHD.	APRD.						
B	16.01.15	FORMAT CHANGED	JC	REE	GS						
A	17.04.03	ORIGINAL ISSUE									

CU	CU Description
----	----------------

LV7_1P Single phase overhead temporary builders supply					
ITEM NUMBER	STOCK CODE	DESCRIPTION	QTY ROD	UNIT OF MEASURE	REMARKS
1	CC0111	clamp	2	ea	
2	EE1120	2c 6mm ² service cable	30	mtr	

LV7_3P Three phase overhead temporary builders supply					
ITEM NUMBER	STOCK CODE	DESCRIPTION	QTY ROD	UNIT OF MEASURE	REMARKS
1	CC0111	clamp	2	ea	
2	EE1122	4c 6mm ² service cable	30	mtr	

LV8_1P Single phase overhead permanent customer supply					
ITEM NUMBER	STOCK CODE	DESCRIPTION	QTY ROD	UNIT OF MEASURE	REMARKS
1	CC0111	clamp	2	ea	
2	EE1120	2c 6mm ² service cable	30	mtr	

LV8_3P Three phase overhead permanent customer supply					
ITEM NUMBER	STOCK CODE	DESCRIPTION	QTY ROD	UNIT OF MEASURE	REMARKS
1	CC0111	clamp	2	ea	
2	EE1122	4c 6mm ² service cable	30	mtr	