



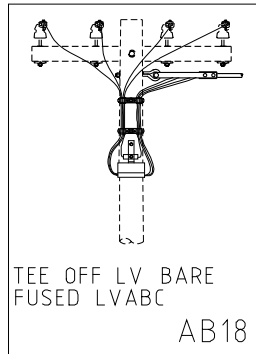
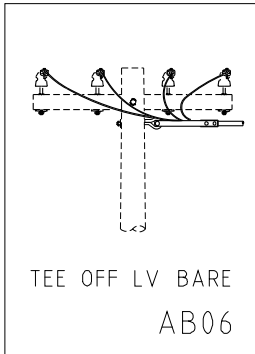
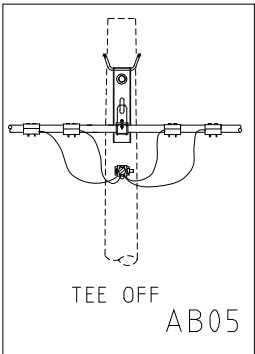
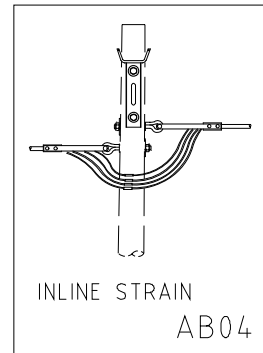
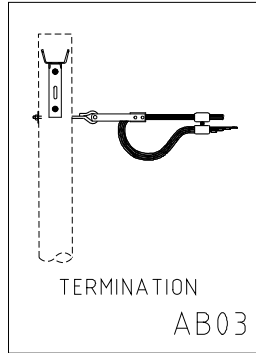
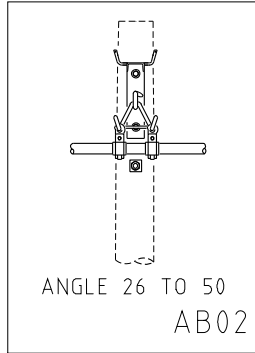
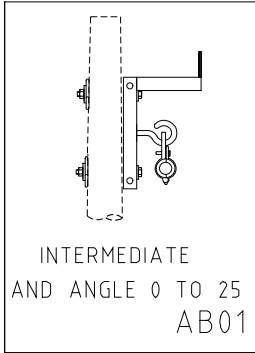
# **Distribution Design Catalogue**

**Low Voltage ABC**

Section 05

## AB Drawings Revision List

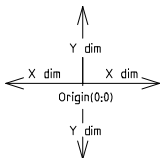
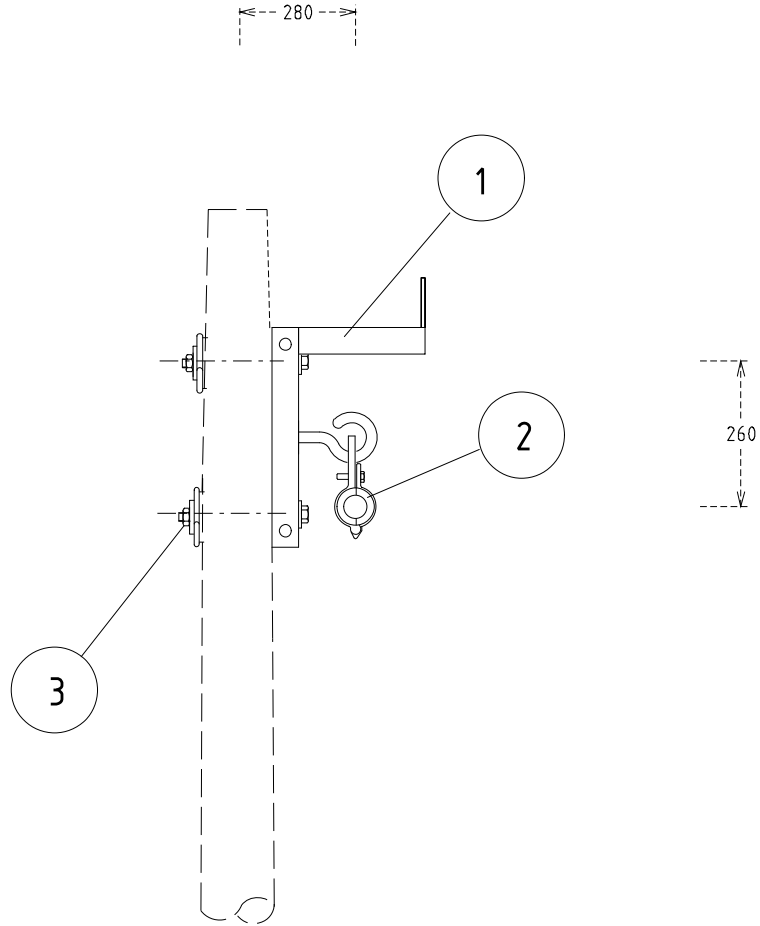
CU	DATE	REVISION	DESCRIPTION OF REVISION
	Sept 2002		Original Issue
	May 2004		Major Revision see Amendment List
	July 2006		Refer to Amendment List
	May 2009		Refer to Amendment List
	Dec 2009		Revised Format
	Sept 2015		Refer to Amendment List
	June 2016		Refer to Amendment List
	June 2017		Refer to Amendment List
	Aug 2017		Refer to Amendment List
	Nov 2017		Refer to Amendment List
	Apr 2018		Refer to Amendment List
	July 2018		Refer to Amendment List
	Dec 2019		Refer to Amendment List
	Sep 2022		Refer to Amendment List
	Jul 2023		Refer to Amendment List



				COMPATIBLE UNIT		DISTRIBUTION DESIGN CATALOGUE			
				TITLE		DRAWN: JRR		DATE: 31-03-2014	
				AB COMPATIBLE UNITS		ORIGINATED:		SCALE: NTS	
						CHECKED: REE		DRG. No.	
						APPROVED: GRANT STACY		REV. B	
								AB INDEX	
A	01.10.99	ORIGINAL ISSUE							
REV	DATE	DESCRIPTION		ORGO.	CHKD.	APRD.			

## Low Voltage ABC CU List

CU	CU DESCRIPTION
AB1_95	Intermediate and angle 0 to 25_95
AB1_150	Intermediate and angle 0 to 25_150
AB2_95	Angle 26 to 50_95
AB2_150	Angle 26 to 50_150
AB3_95	Termination_95
AB3_150	Termination_150
AB4_95	Inline strain_95
AB4_150	Inline strain_150
AB4_95FS_H	Inline strain with FSDO_95 High Pollution
AB4_95FS	Inline strain with FSDO_95
AB4_105FS_H	Inline strain with FSDO_150 High Pollution
AB4_150FS	Inline strain with FSDO_150
AB5_95	Tee off_95
AB5_150	Tee off_150
AB6_95AL	Tee off-LV bare aluminium to ABC 95
AB6_150AL	Tee off-LV bare aluminium to ABC 150
AB18_95AL	Tee off-LV bare aluminium to fused ABC 95
AB18_150AL	Tee off-LV bare aluminium to fused ABC 150
AB18_95AL_H	Tee off-LV bare aluminium to fused ABC 95 High Pollution
AB18_150AL_H	Tee off-LV bare aluminium to fused ABC 150 High Pollution



Cable Design Dimensions

	X dim	Y dim
Bundle	280	260

Origin - Top Bracket bolt (0:0)

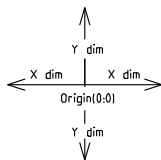
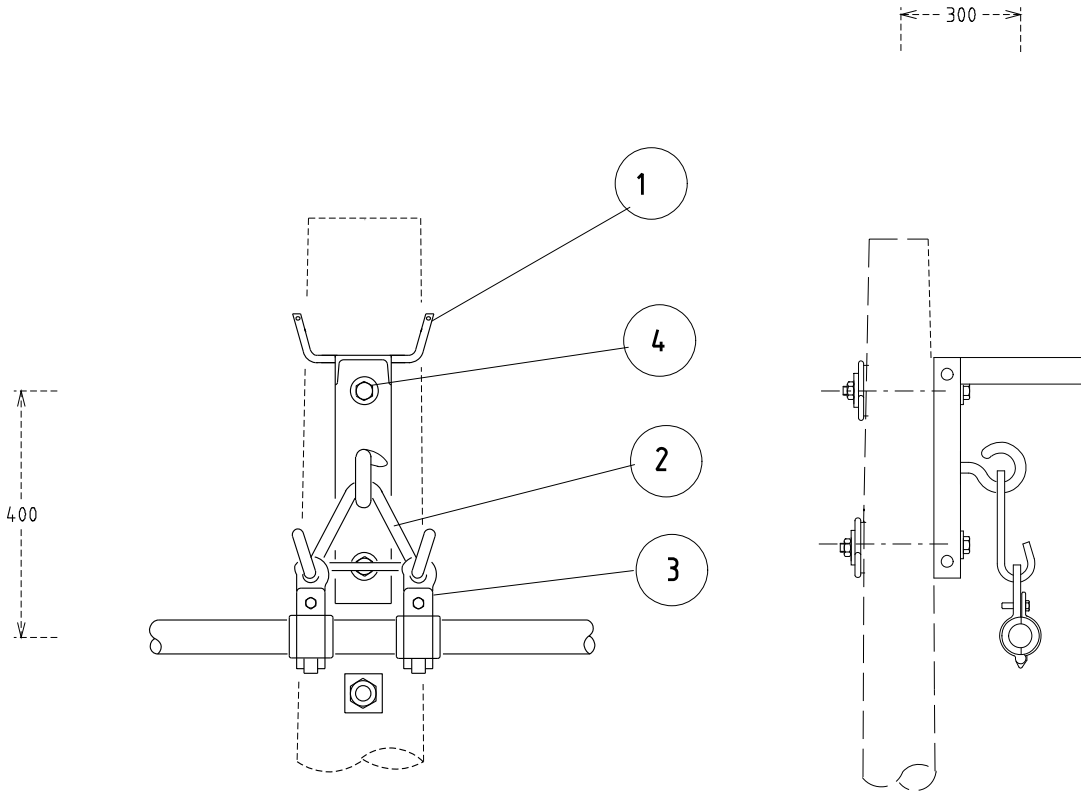
				COMPATIBLE UNIT		DISTRIBUTION DESIGN CATALOGUE			
				TITLE		DRAWN: JRR DATE: 31-03-2014		DRG. No.	
				INTERMEDIATE & ANGLE 0°-25°		ORIGINATED: SCALE: NTS		AB01	
						CHECKED: REE			
						APPROVED: GRANT STACY		REV. A SHT.	
A	02.04.13	ORIGINAL ISSUE		ORGD.	CHKD.	APRD.			
REV	DATE	DESCRIPTION							



<b>CU</b>	<b>CU Description</b>
-----------	-----------------------

<b>AB1_95</b>		<b>Intermediate and angle 0 to 25_95</b>			
<b>ITEM NUMBER</b>	<b>STOCK CODE</b>	<b>DESCRIPTION</b>	<b>QTY RQD</b>	<b>UNIT OF MEASURE</b>	<b>REMARKS</b>
1	CB3020	universal bracket	1	ea	
2	CC0101	suspension clamp - 95	1	ea	
3	AB6732	Pole bolt - 16 dia x 550mm lg with nut and washers	2	ea	

<b>AB1_150</b>		<b>Intermediate and angle 0 to 25_150</b>			
<b>ITEM NUMBER</b>	<b>STOCK CODE</b>	<b>DESCRIPTION</b>	<b>QTY RQD</b>	<b>UNIT OF MEASURE</b>	<b>REMARKS</b>
1	CB3020	universal bracket	1	ea	
2	CC0110	suspension clamp - 150	1	ea	
3	AB6732	Pole bolt - 16 dia x 550mm lg with nut and washers	2	ea	



Cable Design Dimensions

	X dim	Y dim
Bundle	300	400

Origin - Top Bracket bolt (0:0)

NOTE:- REFER TO LVABC MANUAL TO DETERMINE IF BAULK REQUIRED. STOCK No. CZ0388

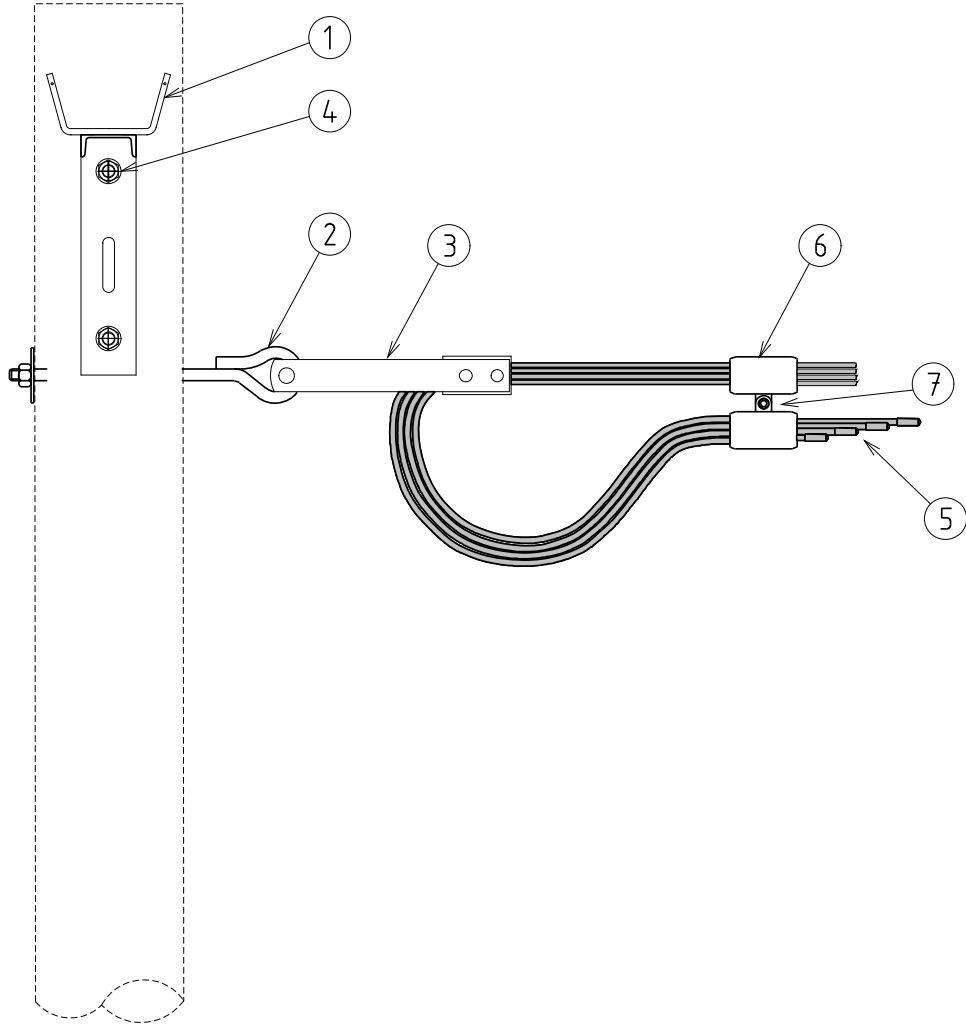
				COMPATIBLE UNIT		DISTRIBUTION DESIGN CATALOGUE			
				TITLE		DRAWN: JRR DATE: 31-03-2014 DRG. No.			
				ANGLE 26°-50°		ORIGINATED: SCALE: NTS		AB02	
						CHECKED: REE		REV. A	
						APPROVED: GRANT STACY		SHT.	
REV	DATE	DESCRIPTION	ORGD.	CHKD.	APRD.				
A	08.08.01	ORIGINAL ISSUE							

<b>CU</b>	<b>CU Description</b>
-----------	-----------------------

<b>AB2_95</b>		<b>Angle 26 to 50_95</b>			
<b>ITEM NUMBER</b>	<b>STOCK CODE</b>	<b>DESCRIPTION</b>	<b>QTY RQD</b>	<b>UNIT OF MEASURE</b>	<b>REMARKS</b>
1	CB3020	universal bracket	1	ea	
2	CC0090	hanger yoke	1	ea	
3	CC0101	suspension clamp - 95	2	ea	
4	AB6732	Pole bolt - 16 dia x 550mm lg with nut and washers	2	ea	

<b>AB2_150</b>		<b>Angle 26 to 50_150</b>			
<b>ITEM NUMBER</b>	<b>STOCK CODE</b>	<b>DESCRIPTION</b>	<b>QTY RQD</b>	<b>UNIT OF MEASURE</b>	<b>REMARKS</b>
1	CB3020	universal bracket	1	ea	
2	CC0090	hanger yoke	1	ea	
3	CC0110	suspension clamp - 150	2	ea	
4	AB6732	Pole bolt - 16 dia x 550mm lg with nut and washers	2	ea	



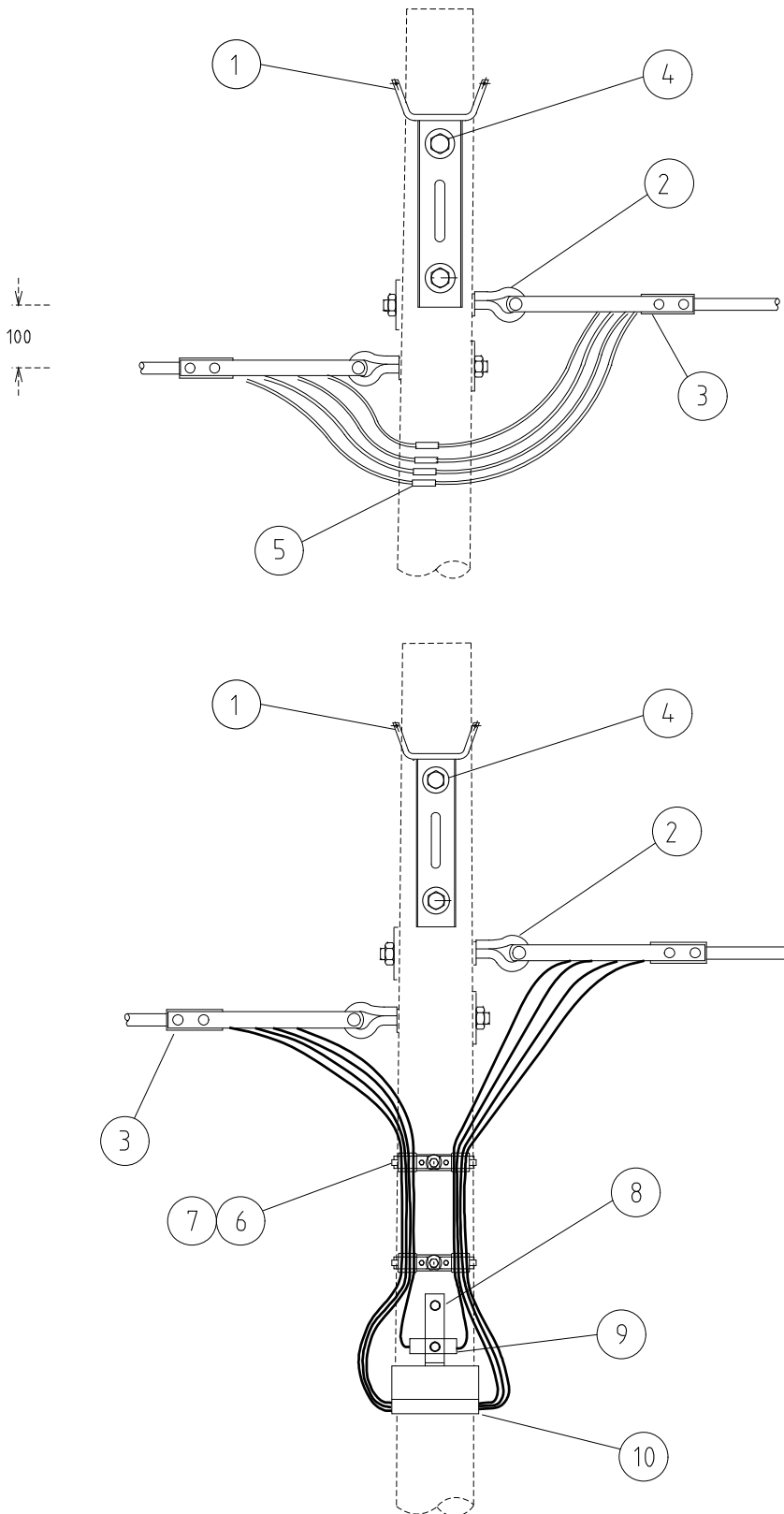


				COMPATIBLE UNIT			DISTRIBUTION DESIGN CATALOGUE		westernpower	
				TERMINATION			DRAWN: JRR DATE: 31-03-2014 DRG. No.		AB03	
							ORIGINATED: SCALE: NTS			
							CHECKED: REE			
							APPROVED: GRANT STACY		REV. B	
REV	DATE	DESCRIPTION	DRG.	CHKD.	APRO					
B	27.11.19	DRAWING REVISED AND MORE ITEMS ADDED	CO	REE	GS					
A	02.04.13	ORIGINAL ISSUE								

<b>CU</b>	<b>CU Description</b>
-----------	-----------------------

<b>AB3_95</b>		<b>Termination_95</b>			
<b>ITEM NUMBER</b>	<b>STOCK CODE</b>	<b>DESCRIPTION</b>	<b>QTY RQD</b>	<b>UNIT OF MEASURE</b>	<b>REMARKS</b>
1	CB3020	universal bracket	1	ea	
2	AB6025	Eyebolt-16Ø x 400mm lg with nut and washer	1	ea	
3	CC0100	strain clamp	1	ea	
4	AB6732	Pole bolt - M16 x 550mm lg with nut and washers	2	ea	
5	CJ0063	End caps push on 95mm <sup>2</sup>	4	ea	
6	CC0101	ABC Clamp	2	ea	
7	AB4600	M16 bolt, 50mm lg with nut	1	ea	

<b>AB3_150</b>		<b>Termination_150</b>			
<b>ITEM NUMBER</b>	<b>STOCK CODE</b>	<b>DESCRIPTION</b>	<b>QTY RQD</b>	<b>UNIT OF MEASURE</b>	<b>REMARKS</b>
1	CB3020	universal bracket	1	ea	
2	AB6025	Eyebolt-16Ø x 400mm lg with nut and washer	1	ea	
3	CC0100	strain clamp	1	ea	
4	AB6732	Pole bolt - M16 x 550mm lg with nut and washers	2	ea	
5	CJ0062	End caps push on 150 mm <sup>2</sup>	4	ea	
6	CC0110	ABC Clamp	2	ea	
7	AB4600	M16 bolt, 50mm lg with nut	1	ea	



				COMPATIBLE UNIT		DISTRIBUTION DESIGN CATALOGUE		westernpower	
				TITLE		DRAWN: JRR DATE: 31-03-2014		DRG. No.	
				INLINE STRAIN		ORIGINATED: SCALE: NTS		AB04	
						CHECKED: REE		APPROVED:	
						GRANT STACY		REV. B SHT.	
REV	DATE	DESCRIPTION	ORGD.	CHKD.	APRD.				
B	23.08.17	ITEMS 6 TO 10 ADDED	CO	JC	GS				
A	02.04.13	ORIGINAL ISSUE							

<b>CU</b>	<b>CU Description</b>
-----------	-----------------------

<b>AB4_95</b>		<b>Inline strain_95</b>			
<b>ITEM NUMBER</b>	<b>STOCK CODE</b>	<b>DESCRIPTION</b>	<b>QTY RQD</b>	<b>UNIT OF MEASURE</b>	<b>REMARKS</b>
1	CB3020	universal bracket	1	ea	
2	AB6025	Eyebolt-16dia x 400mm lg with nut and washer	2	ea	
3	CC0100	strain clamp	2	ea	
4	AB6732	Pole bolt - 16 dia x 550mm lg with nut and washers	2	ea	
5	CJ0491	Full tension sleeve - 95	4	ea	

<b>AB4_150</b>		<b>Inline strain_150</b>			
<b>ITEM NUMBER</b>	<b>STOCK CODE</b>	<b>DESCRIPTION</b>	<b>QTY RQD</b>	<b>UNIT OF MEASURE</b>	<b>REMARKS</b>
1	CB3020	universal bracket	1	ea	
2	AB6025	Eyebolt-16dia x 400mm lg with nut and washer	2	ea	
3	CC0100	strain clamp	2	ea	
4	AB6732	Pole bolt - 16 dia x 550mm lg with nut and washers	2	ea	
5	CJ0490	Full tension sleeve - 150	4	ea	

<b>AB4_95FSDO</b>		<b>Inline strain with FSDO_95</b>			
<b>ITEM NUMBER</b>	<b>STOCK CODE</b>	<b>DESCRIPTION</b>	<b>QTY RQD</b>	<b>UNIT OF MEASURE</b>	<b>REMARKS</b>
1	CB3020	universal bracket	1	ea	
2	AB6025	Eyebolt-16dia x 400mm lg with nut and washer	2	ea	
3	CC0100	strain clamp	2	ea	
4	AB6732	Pole bolt - 16 dia x 550mm lg with nut and washers	2	ea	
6	CC0101	suspension clamp - 95	4	ea	
7	AB6733	Pole bolt 16 dia x 400mm lg with nut and washers	2	ea	
8	AB6741	Pole bolt 12 dia x 550mm lg with nut and washers	2	ea	
9	GS0109	Neutral Block	1	ea	
10	GS0111	Fuse disconnecter (Rated 400A)	1	ea	

<b>AB4_95FS_H</b>		<b>Inline strain with FSDO_95 High Pollution</b>			
<b>ITEM NUMBER</b>	<b>STOCK CODE</b>	<b>DESCRIPTION</b>	<b>QTY RQD</b>	<b>UNIT OF MEASURE</b>	<b>REMARKS</b>
1	CB3020	universal bracket	1	ea	
2	AB6025	Eyebolt-16dia x 400mm lg with nut and washer	2	ea	
3	CC0100	strain clamp	2	ea	
4	AB6732	Pole bolt - 16 dia x 550mm lg with nut and washers	2	ea	
6	CC0101	suspension clamp - 95	4	ea	
7	AB6733	Pole bolt 16 dia x 400mm lg with nut and washers	2	ea	
8	AB6741	Pole bolt 12 dia x 550mm lg with nut and washers	2	ea	
9	GS0109	Neutral Block	1	ea	
10	GS0111	Fuse disconnecter	1	ea	

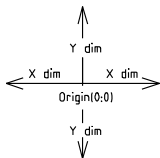
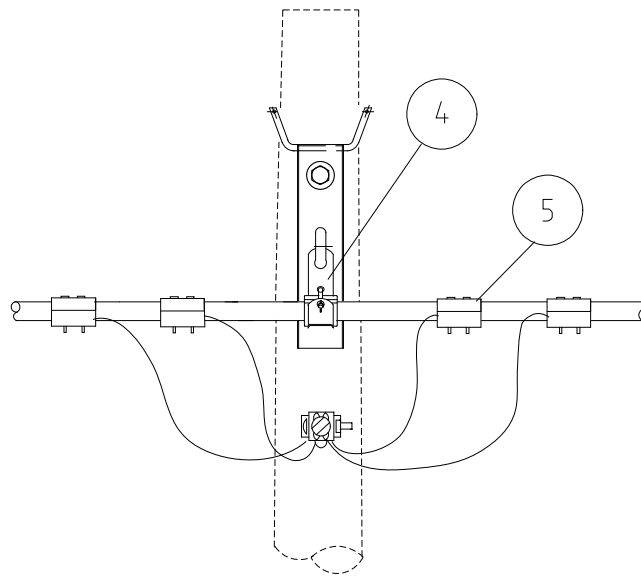
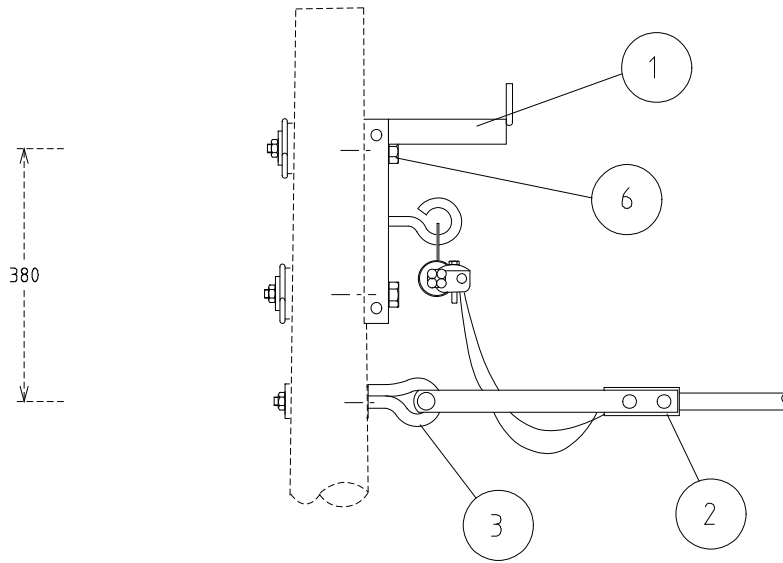


<b>CU</b>	<b>CU Description</b>
-----------	-----------------------

<b>AB4_150FSDO</b>		<b>Inline strain with FSDO_150</b>			
<b>ITEM NUMBER</b>	<b>STOCK CODE</b>	<b>DESCRIPTION</b>	<b>QTY RQD</b>	<b>UNIT OF MEASURE</b>	<b>REMARKS</b>
1	CB3020	universal bracket	1	ea	
2	AB6025	Eyebolt-16dia x 400mm lg with nut and washer	2	ea	
3	CC0100	strain clamp	2	ea	
4	AB6732	Pole bolt - 16 dia x 550mm lg with nut and washers	2	ea	
6	CC0110	suspension clamp - 150	4	ea	
7	AB6733	Pole bolt 16 dia x 400mm lg with nut and washers	2	ea	
8	AB6741	Pole bolt 12 dia x 550mm lg with nut and washers	2	ea	
9	GS0109	Neutral Block	1	ea	
10	GS0111	Fuse disconnecter (Rated 400A)	1	ea	

<b>AB4_150FS_H</b>		<b>Inline strain with FSDO_150 High Pollution</b>			
<b>ITEM NUMBER</b>	<b>STOCK CODE</b>	<b>DESCRIPTION</b>	<b>QTY RQD</b>	<b>UNIT OF MEASURE</b>	<b>REMARKS</b>
1	CB3020	universal bracket	1	ea	
2	AB6025	Eyebolt-16dia x 400mm lg with nut and washer	2	ea	
3	CC0100	strain clamp	2	ea	
4	AB6732	Pole bolt - 16 dia x 550mm lg with nut and washers	2	ea	
6	CC0110	suspension clamp - 150	4	ea	
7	AB6733	Pole bolt 16 dia x 400mm lg with nut and washers	2	ea	
8	AB6741	Pole bolt 12 dia x 550mm lg with nut and washers	2	ea	
9	GS0109	Neutral Block	1	ea	
10	GS0111	Fuse disconnecter	1	ea	





Cable Design Dimensions

	X dim	Y dim
Bundle	0	380

Origin - Top bracket bolt (0:0)

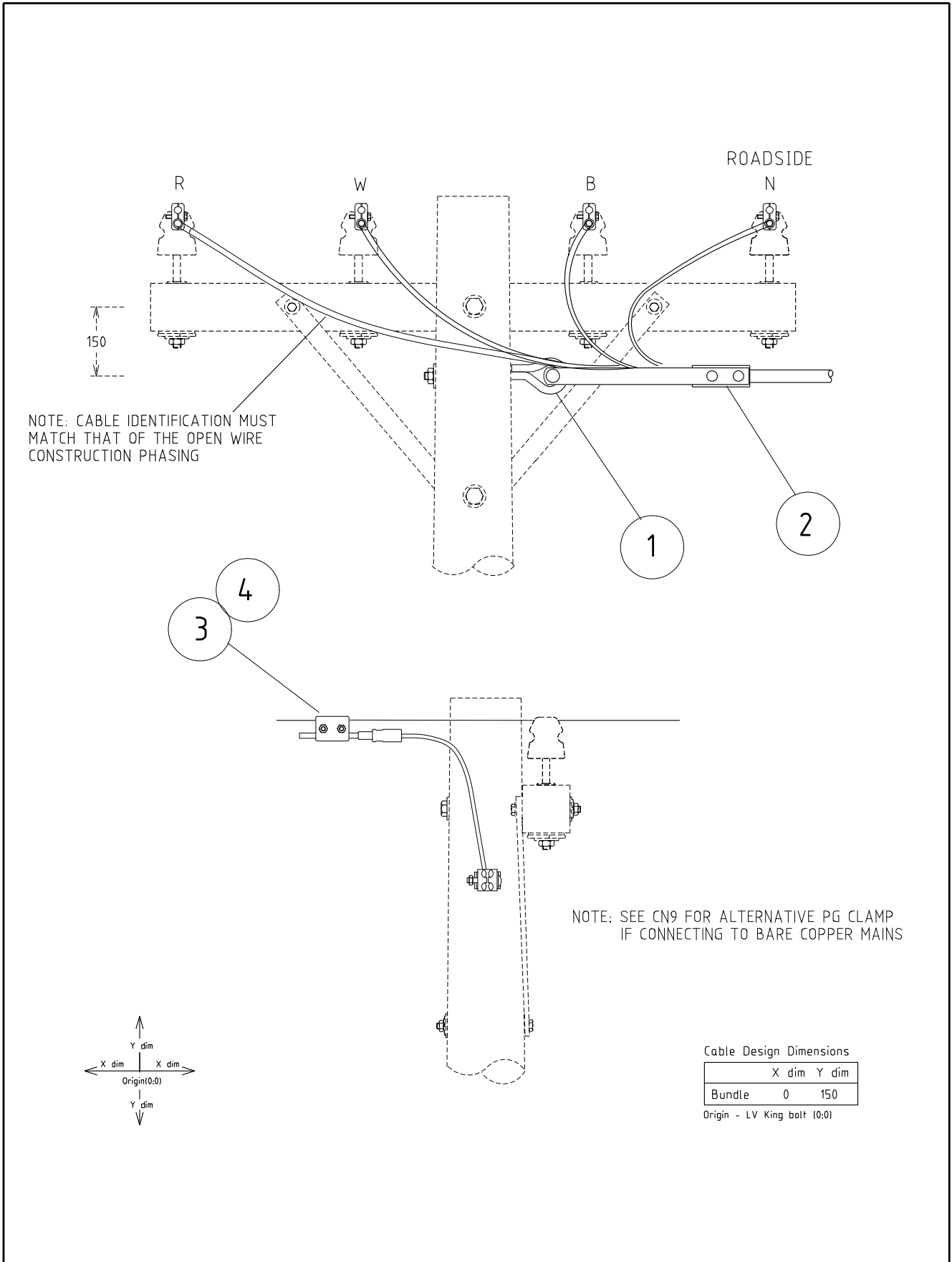
				COMPATIBLE UNIT		DISTRIBUTION DESIGN CATALOGUE			
				TITLE		DRAWN: JRR DATE: 31-03-2014		DRG. No.	
				TEE OFF		ORIGINATED: SCALE: NTS		AB05	
						CHECKED: REE		REV. A	
						APPROVED: GRANT STACY		SHT.	
REV	DATE	DESCRIPTION	ORGD.	CHKD.	APRD.				
A	08.08.01	ORIGINAL ISSUE							



<b>CU</b>	<b>CU Description</b>
-----------	-----------------------

<b>AB5_95</b>		<b>Tee off_95</b>			
<b>ITEM NUMBER</b>	<b>STOCK CODE</b>	<b>DESCRIPTION</b>	<b>QTY RQD</b>	<b>UNIT OF MEASURE</b>	<b>REMARKS</b>
1	CB3020	universal bracket	1	ea	
2	CC0100	strain clamp	1	ea	
3	AB6025	Eyebolt-16dia x 400mm lg with nut and washer	1	ea	
4	CC0101	Suspension clamp - 95	1	ea	
5	CC0081	insulation piercing clamp - 95	4	ea	
6	AB6732	Pole bolt - 16 dia x 550mm lg with nut and washers	2	ea	

<b>AB5_150</b>		<b>Tee off_150</b>			
<b>ITEM NUMBER</b>	<b>STOCK CODE</b>	<b>DESCRIPTION</b>	<b>QTY RQD</b>	<b>UNIT OF MEASURE</b>	<b>REMARKS</b>
1	CB3020	universal bracket	1	ea	
2	CC0100	strain clamp	1	ea	
3	AB6025	Eyebolt-16dia x 400mm lg with nut and washer	1	ea	
4	CC0110	suspension clamp - 150	1	ea	
5	CC0081	insulation piercing clamp - 150	4	ea	
6	AB6732	Pole bolt - 16 dia x 550mm lg with nut and washers	2	ea	



				COMPATIBLE UNIT		DISTRIBUTION DESIGN CATALOGUE			
				TITLE		DRAWN: JRR DATE: 31-03-2016		DRG. No.	
				TEE OFF LV BARE TO ABC		ORIGINATED: SCALE: NTS		AB06	
						CHECKED: REE		REV. A	
						APPROVED: GRANT STACY		SHT.	
A	02.04.13	ORIGINAL ISSUE		ORGD.	CHKD.	APRD.			
REV	DATE	DESCRIPTION							

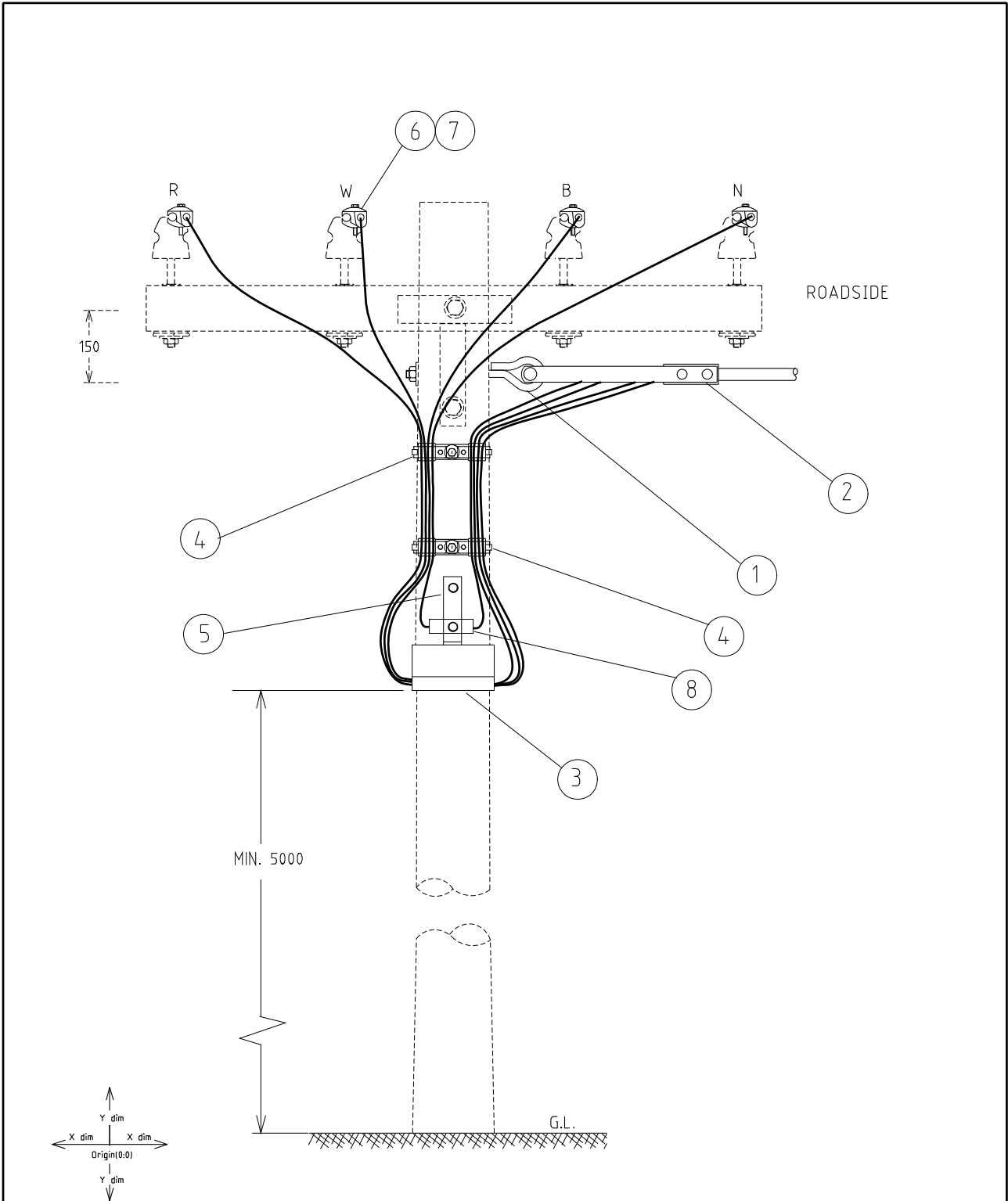




<b>CU</b>	<b>CU Description</b>
-----------	-----------------------

<b>AB6_95AL</b>		<b>Tee off-LV bare_aluminium to ABC 95</b>			
<b>ITEM NUMBER</b>	<b>STOCK CODE</b>	<b>DESCRIPTION</b>	<b>QTY RQD</b>	<b>UNIT OF MEASURE</b>	<b>REMARKS</b>
1	AB6025	Eyebolt-16dia x 400mm lg with nut and washer	1	ea	
2	CC0100	strain clamp	1	ea	
3	CC0138	PG clamp	4	ea	
4	CJ0494	stalk lug	4	ea	

<b>AB6_150AL</b>		<b>Tee off-LV bare_aluminium to ABC 150</b>			
<b>ITEM NUMBER</b>	<b>STOCK CODE</b>	<b>DESCRIPTION</b>	<b>QTY RQD</b>	<b>UNIT OF MEASURE</b>	<b>REMARKS</b>
1	AB6025	Eyebolt-16dia x 400mm lg with nut and washers	1	ea	
2	CC0100	strain clamp	1	ea	
3	CC0138	PG clamp	4	ea	
4	CJ0496	stalk lug	4	ea	



NOTES:-  
 1. ALL DIMENSIONS ARE IN MILLIMETRES.  
 2. SEE CN9 FOR ALTERNATIVE PG CLAMP IF CONNECTING TO BARE COPPER MAINS

Cable Design Dimensions

	X dim	Y dim
Bundle	0	150

Origin - LV King bolt (0:0)

				COMPATIBLE UNIT			DISTRIBUTION DESIGN CATALOGUE		westernpower	
				TITLE			DRAWN: JRR		DATE: 31-03-2014	
				TEE OFF LV BARE TO FUSED ABC			ORIGINATED:		SCALE: NTS	
							CHECKED: REE		DRG. No. AB18	
							APPROVED:		REV. H	
							GRANT STACY		SHT.	
REV	DATE	DESCRIPTION	DRGD.	CHKD.	APRD.					
H	17.03.17	ITEM 8 ADDED AND EXTRA ITEM 4 ADDED	JC	REE	GS					
G	21.06.61	CABLING SYSTEM MODIFIED	REE	JC	GS					
F	03.04.13	ORIGINAL ISSUE								



<b>CU</b>	<b>CU Description</b>
-----------	-----------------------

<b>AB18_95AL</b>		<b>Tee off-LV bare_alumin to fused ABC 95</b>			
<b>ITEM NUMBER</b>	<b>STOCK CODE</b>	<b>DESCRIPTION</b>	<b>QTY RQD</b>	<b>UNIT OF MEASURE</b>	<b>REMARKS</b>
1	AB6025	Eyebolt-16dia x 400mm lg with nut and washer	1	ea	
2	CC0100	strain clamp	1	ea	
3	GS0111	Fuse disconnecter (Rated 400A)	1	ea	
4	CC0101	suspension clamp - 95	4	ea	
4	AB6733	Pole bolt 16 dia x 400mm lg with nut and washers	2	ea	
5	AB6741	Pole bolt 12 dia x 550mm lg with nut and washers	2	ea	
6	CJ0494	stalk lug	4	ea	
7	CC0138	PG clamp	4	ea	
8	GS0109	Neutral Block	1	ea	

<b>AB18_150AL</b>		<b>Tee off-LV bare_alumin to fused ABC 150</b>			
<b>ITEM NUMBER</b>	<b>STOCK CODE</b>	<b>DESCRIPTION</b>	<b>QTY RQD</b>	<b>UNIT OF MEASURE</b>	<b>REMARKS</b>
1	AB6025	Eyebolt-16dia x 400mm lg with nut and washer	1	ea	
2	CC0100	strain clamp	1	ea	
3	GS0111	Fuse disconnecter (Rated 400A)	1	ea	
4	CC0110	suspension clamp - 150	4	ea	
4	AB6733	Pole bolt 16 dia x 400mm lg with nut and washers	2	ea	
5	AB6741	Pole bolt – 12 dia x 550mm lg with nut and washers	2	ea	
6	CJ0496	stalk lug	4	ea	
7	CC0138	PG clamp	4	ea	
8	GS0109	Neutral Block	1	ea	

<b>AB18_95AL_H</b>		<b>Tee off-LV bare_alumin to fused ABC 95 High Pollution</b>			
<b>ITEM NUMBER</b>	<b>STOCK CODE</b>	<b>DESCRIPTION</b>	<b>QTY RQD</b>	<b>UNIT OF MEASURE</b>	<b>REMARKS</b>
1	AB6025	Eyebolt-16dia x 400mm lg with nut and washer	1	ea	
2	CC0100	strain clamp	1	ea	
3	GS0111	Fuse disconnecter	1	ea	
4	CC0101	suspension clamp - 95	4	ea	
4	AB6733	Pole bolt 16 dia x 400mm lg with nut and washers	2	ea	
5	AB6741	Pole bolt 12 dia x 550mm lg with nut and washers	2	ea	
6	CJ0494	stalk lug	4	ea	
7	CC0138	PG clamp	4	ea	
8	GS0109	Neutral Block	1	ea	



<b>CU</b>	<b>CU Description</b>
-----------	-----------------------

<b>AB18_150AL_H</b>		<b>Tee off-LV bare_alumin to fused ABC 150 High Pollution</b>			
<b>ITEM NUMBER</b>	<b>STOCK CODE</b>	<b>DESCRIPTION</b>	<b>QTY RQD</b>	<b>UNIT OF MEASURE</b>	<b>REMARKS</b>
1	AB6025	Eyebolt-16dia x 400mm lg with nut and washer	1	ea	
2	CC0100	strain clamp	1	ea	
3	GS0111	Fuse disconnecter	1	ea	
4	CC0110	suspension clamp - 150	4	ea	
4	AB6733	Pole bolt 16 dia x 400mm lg with nut and washers	2	ea	
5	AB6741	Pole bolt – 12 dia x 550mm lg with nut and washers	2	ea	
6	CJ0496	stalk lug	4	ea	
7	CC0138	PG clamp	4	ea	
8	GS0109	Neutral Block	1	ea	