



Distribution Design Catalogue

Decorative Materials

Section 13 (DM)



Revision List

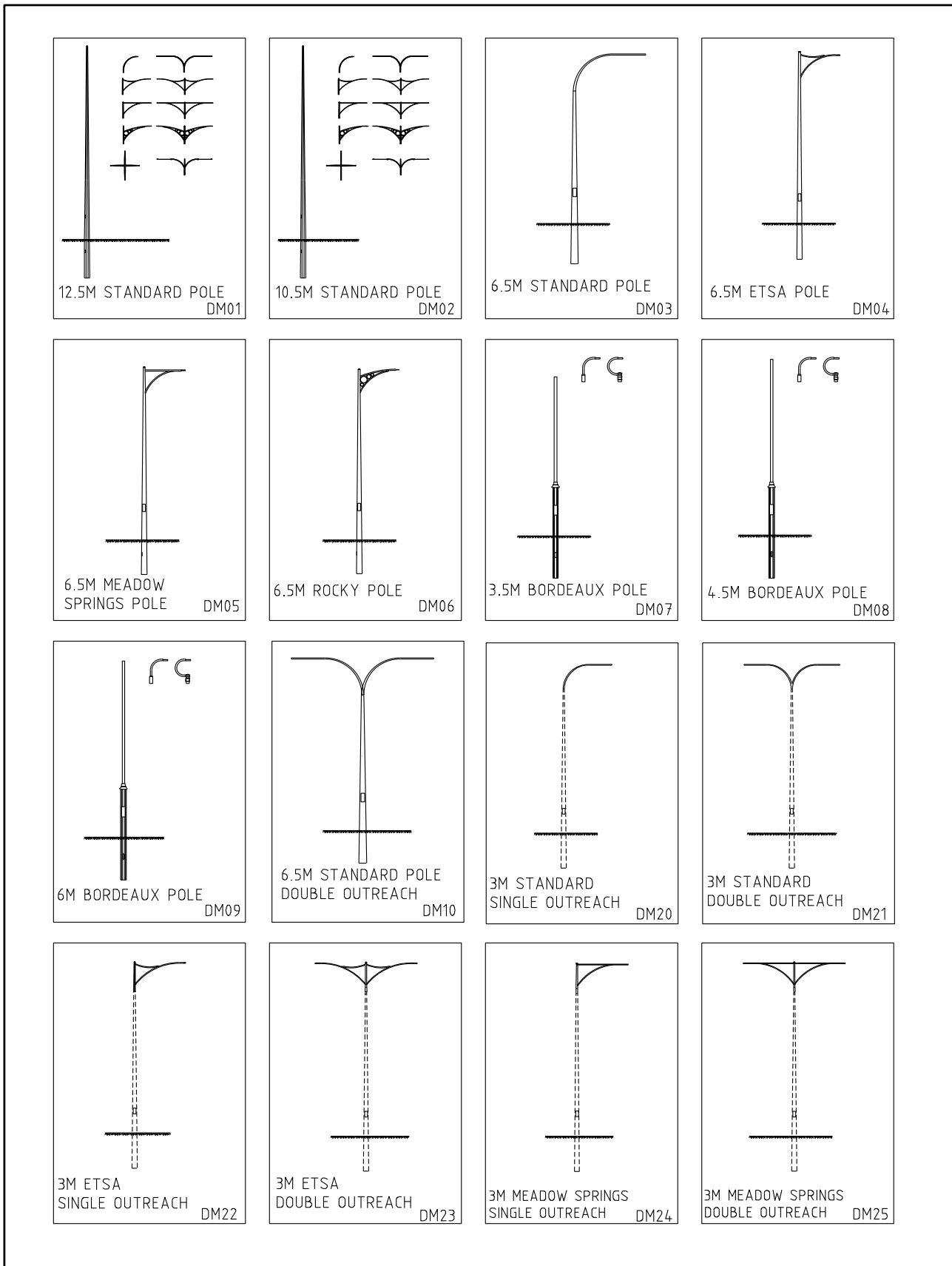
For drawing revisions please refer to the DDC Amendment list EDM# 24803827

General Notes

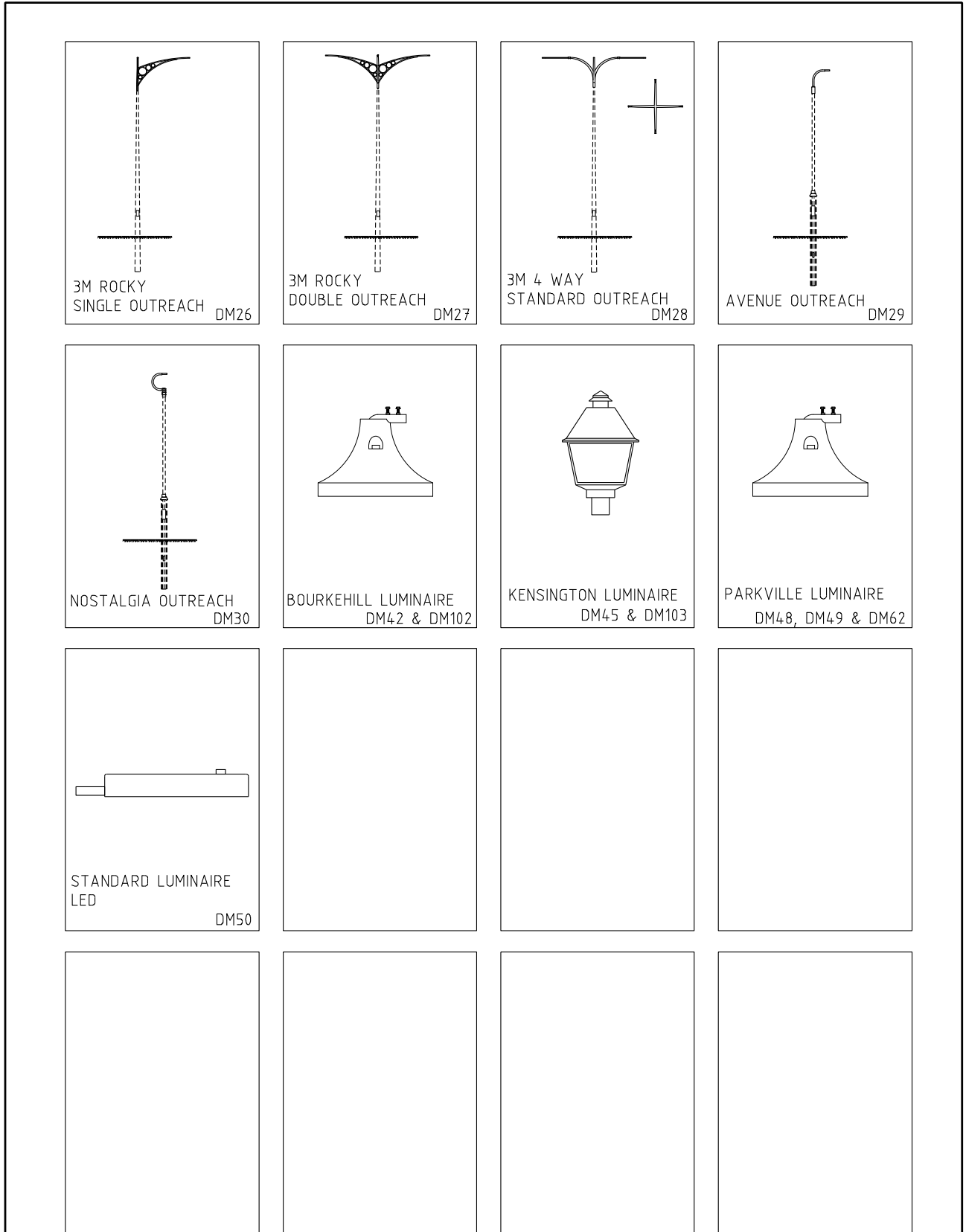
NOTE #	DESCRIPTION
1	Driving point is not required for normal ground conditions including small coffee rocks and shale. For harder ground condition, a driving point is recommended. (It is unlikely the driving point will be suitable for granite rock)
2	Expulsion Dropout Fuse (EDO) base and links as well as K-Mate fuse current limiters are not included in CUs but listed in HV51. Fault Tamer fuse base and links are listed in HV52. Fault Tamer fuse are not to be used on 33kV networks and have a maximum rating of 20A. EDOs are used on 33kV networks and for current rating greater than 20A.
3	For the physical dimension tables the uppermost king bolt / eye bolt is the reference point with coordinates X=0.0, Y=0.0 (Datum)
4	The conductor location in the Y axis of the physical dimension tables lists the height of the conductor on the top of the post insulator above the datum. This dimension has been rounded down taking equipment differences, manufacturing tolerances and installation variations into account. On angle structures, where the conductor is attached to the side of the insulator head the conductor is located marginally lower than if located on the top of the insulator. No adjustment is considered necessary to the Y dimension in these cases.
5	For conductor clashing calculation, apply the correct Y dimension which may differ from that listed in the dimension table which is used for ground clearance simulation purposes. E.g. HV09 RHS span (centre to outer phase) Ydim to be 230mm and not 310mm.
6	HV isolators to be selected according to HV53.

© Copyright of Western Power

Any use of this material except in accordance with a written agreement with Western Power is prohibited.



				COMPATIBLE UNIT			DISTRIBUTION DESIGN CATALOGUE			
				TITLE			DRAWN: JRR DATE: 31-03-2014 DRG. No.			
				DM COMPATIBLE UNITS			ORIGINATED: SCALE: NTS		DM INDEX-1	
							CHECKED: REE		REV. SHT.	
							APPROVED: GRANT STACY		F 1/2	
REV	DATE	DESCRIPTION		ORG	CHKD	APRD				
F	06.09.18	REVISED TO SUIT LED LUMINAIRE		REE	CO	GS				
E	31.03.14	FORMAT CHANGED		JC	REE	GS				
D	14.12.11	ORIGINAL ISSUE								



				COMPATIBLE UNIT			DISTRIBUTION DESIGN CATALOGUE			
				TITLE			DRAWN: JRR		DATE: 31-03-2014	
				DM COMPATIBLE UNITS			ORIGINATED:		SCALE: NTS	
							CHECKED: REE		DRG. No.	
							APPROVED:		REV. F	
							GRANT STACY		SHT. 2/2	
REV	DATE	DESCRIPTION	ORGD.	CHKD.	APRD.					

Western Power		Colourbond		Dulux Colour		Gerard Lighting	
ame	DQM/CAD Number	Name	AS2700 Code	Name	Colour Code	Name	Colour Code
EBONY / BLACK	4	Night Sky	N61	Satin Black	272-19268	Satin Black	19268
HERITAGE RED	6	Manor Red	R54	Manor Red	272-4134S	Manor Red	84752
MOUNTAIN BLUE	9	Deep Ocean	B62	Deep Ocean	272-5152S	Mountain Blue	83249
SLATE GREY	13	Woodland Grey	G53	Woodland Grey	272-7255S	Slate Grey	84220
HAWTHORN GREEN	19	Classic Hawthorn Green	G16	Hawthorn Green	272-33709	Hawthorn Green	33709
GULL GREY	5	Shale grey	N53	Shale grey	272-83246	Gull grey	83246
SURF MIST	10	Surf Mist	G55	Surf Mist	272-1137S	Surf Mist	84758
SPACE BLUE		Space Blue	P14	Space Blue	984-19990	Space Blue	19990
CAULFIELD GREEN	3	Cottage Green	??	Cottage Green	272-84219	Cottage Green	84219
Additional Paint Colours							
Armour Grey				Windspray	272-7256S	Windspray (Satin)	84760
Merino				Paperbark	272-3088S	Paperbark (Satin)	84212
Mist green				Pale Eucalypt	260-6127S	Pale Eucalypt (Satin)	84221
Teal				Teal	272-6133G	Teal (Gloss)	51651
Tuscan Red				Headland	272-84761	Headland (Satin)	84761

NOTES:

1. The specified Colorbond colours utilise a satin finish.
2. Hawthorn Green has a gloss finish.
3. Standard Luminaires are not available in decorative colours.
4. Colorbond names are trademarks of BlueScope Steel Limited and no rights are claimed by Western Power or its representative.
5. Teal and Headland paint powder is made to order only by Dulux and available in minimum order quantity of 80kg pack.

				COMPATIBLE UNIT				DISTRIBUTION DESIGN CATALOGUE			
TITLE				DECORATIVE COLOURS SPECIFICATION				DRAWN JRR DATE 27-07-2018 DRG No		REV B SHT	
B 08 03 24 ITEM TORRES BLUE DELETED JT ML CO				A 06 09 18 ORIGINAL ISSUE REE CO GS				ORIGINATED SCALE NTS		DM-SPEC	
REV DATE DESCRIPTION DRG CHKD APRD				APPROVED				GRANT STACY			

TRADITIONAL STOCK CODE	TRADITIONAL DESCRIPTION	SUPERSEDED LED		CURRENT LED		CABLE LENGTH	LED CU CLASSIFICATION
		STOCK CODE	WATT	STOCK CODE	WATT		
HL6240	42W CFL Bourke Hill	HL6320	16W	HL6520	14W	8m	_1A ²
				HL6420	14W	8m	_1M
HL6250	42W CFL Kensington	HL6330	20W	HL6530	16W	8m	_1B ²
				HL6430	16W	8m	_1N
HL6155	80W MV Bourke Hill	HL6320	16W	HL6520	14W	8m	_1A ²
				HL6420	14W	8m	_1M
HL6156	125W MV Bourke Hill	HL6340	42W	HL6540	30W	8m	_3A ²
				HL6440	30W	8m	_3M
HL6154	70W HPS Bourke Hill	HL6340	42W	HL6540	30W	8m	_3A ²
				HL6440	30W	8m	_3M
HL6151	70W HPS Kensington	HL6350	42W	HL6550	30W	8m	_3B ²
				HL6450	30W	8m	_3N
HL6139	70W MH Bourke Hill	HL6340	42W	HL6540	30W	8m	_3A ²
				HL6440	30W	8m	_3M
HL6136	70W MH Kensington	HL6350	42W	HL6550	30W	8m	_3B ²
				HL6450	30W	8m	_3N
HL6137	150W MH Parkville	HL6360	80W	HL6560	80W	15m	_4C ²
				HL6460	80W	15m	_4P
HL6138	250W MH Parkville	HL6370	100W	HL6570	100W	15m	_5C ²
				HL6470	100W	15m	_5P
HL6152	150W HPS Parkville	HL6360	80W	HL6560	80W	15m	_4C ²
				HL6460	80W	15m	_4P
HL6153	250W HPS Parkville	HL6380	150W	HL6580	150W	15m	_6C ²
				HL6480	150W	15m	_6P

LED CU CLASSIFICATION

LIGHT INTENSITY	
LOW	1
MEDIUM	3, 4
HIGH	5, 6

COLOUR TEMPERATURE	
4000K ²	A, B, C
3000K	M, N, P

NOTES:-

- 30m LED BOURKE HILL WITH 15m CABLE IS AVAILABLE ON SPECIAL ORDER WITH EXTENDED LEAD TIME.
- 4000K NOT PREFERRED BUT AVAILABLE IF REQUESTED (WP STANDARD IS 3000K).

				COMPATIBLE UNIT			DISTRIBUTION DESIGN CATALOGUE				
G	17.01.24	TABLE REVISED AND LEGEND ADDED		CB	ML	CO	DRAWN: JRR		DATE: 14-08-2018		
F	06.05.22	TABLE REVISED		SH	REE	GS	ORIGINATED: REE		SCALE: NTS		
E	22.12.20	STOCK CODE HL6390 ADDED		REE		GS	CHECKED: CO		DM-COMP		
D	21.09.20	TABLE REVISED		REE	NN	GS	APPROVED: GRANT STACY		REV. G		
C	12.03.20	TABLE REVISED		REE	NN	GS			SHT.		
REV	DATE	DESCRIPTION		ORGD	CHKD	APRD					

DECORATIVE MATERIALS
COMPARISON OF STOCK CODES



DM Start Value - ID No.	20W LED (Equip 42W CFL, 80W MV)	15W LED (Equip 42W CFL, 80W MV)	53W LED (Equip 125W MV)	43W LED (Equip 125W MV)	43W LED (Equip 125W MV) 15m Cable	36W LED (Equip 70W HPS & MH)	28W LED (Equip 70W HPS & MH)	80W LED (Equip 150W HPS & MH)	70W LED (Equip 150W HPS & MH)	170W LED (Equip 250W HPS)	165W LED (Equip 250W HPS)	135W LED (Equip 250W MH)	140W LED (Equip 250W MH)	BOURKE HILL	30W LED (Equip 70W HPS & MH, 125W MV)	14W LED (Equip 42W CFL, 80W MV)	30W LED (Equip 70W HPS & MH, 125W MV)	14W LED (Equip 42W CFL, 80W MV)	PARKVILLE	80W LED (Equip 150W HPS & MH)	150W LED (Equip 250W HPS)	100W LED (Equip 250W HPS)	80W LED (Equip 150W HPS & MH)	150W LED (Equip 250W HPS)	100W LED (Equip 250W MH)	KENSINGTON	30W LED (Equip 70W HPS & MH)	16W LED (Equip 42W CFL, 80W MV)	30W LED (Equip 70W HPS & MH)	16W LED (Equip 42W CFL, 80W MV)		
DM3-1-6.5m SL8 SOR	X	X	X	X	X	X	X	X	X	X	X	X	X	X	X	X	X	X	X	X	X	X	X	X	X	X	X	X	X	X	X	X
DM10-1-6.5m SL20 DOR	X	X	X	X	X	X	X	X	X	X	X	X	X	X	X	X	X	X	X	X	X	X	X	X	X	X	X	X	X	X	X	X
DM4-1-6.5m ETSA & Bracket - SOR	X	X	X	X	X	X	X	X	X	X	X	X	X	X	X	X	X	X	X	X	X	X	X	X	X	X	X	X	X	X	X	X
DM5-1-6.5m Meadow springs & bracket	X	X	X	X	X	X	X	X	X	X	X	X	X	X	X	X	X	X	X	X	X	X	X	X	X	X	X	X	X	X	X	X
DM6-1-6.5m Rocky & bracket	X	X	X	X	X	X	X	X	X	X	X	X	X	X	X	X	X	X	X	X	X	X	X	X	X	X	X	X	X	X	X	X
DM2-1-10.5m SL9+ DM20-1 Std 3m SOR	X	X	X	X	X	X	X	X	X	X	X	X	X	X	X	X	X	X	X	X	X	X	X	X	X	X	X	X	X	X	X	X
DM2-1-10.5m SL10+ DM21-1 Std 3m SOR	X	X	X	X	X	X	X	X	X	X	X	X	X	X	X	X	X	X	X	X	X	X	X	X	X	X	X	X	X	X	X	X
DM2-1-10.5m + DM22-1 ETSA SOR	X	X	X	X	X	X	X	X	X	X	X	X	X	X	X	X	X	X	X	X	X	X	X	X	X	X	X	X	X	X	X	X
DM2-1-10.5m + DM23-1 ETSA DOR	X	X	X	X	X	X	X	X	X	X	X	X	X	X	X	X	X	X	X	X	X	X	X	X	X	X	X	X	X	X	X	X
DM2-1-10.5m + DM24-1 Mead Springs SOR	X	X	X	X	X	X	X	X	X	X	X	X	X	X	X	X	X	X	X	X	X	X	X	X	X	X	X	X	X	X	X	X
DM2-1-10.5m + DM25-1 Mead Springs DOR	X	X	X	X	X	X	X	X	X	X	X	X	X	X	X	X	X	X	X	X	X	X	X	X	X	X	X	X	X	X	X	X
DM2-1-10.5m + DM26-1 Rocky SOR	X	X	X	X	X	X	X	X	X	X	X	X	X	X	X	X	X	X	X	X	X	X	X	X	X	X	X	X	X	X	X	X
DM2-1-10.5m + DM27-1 Rocky SOR	X	X	X	X	X	X	X	X	X	X	X	X	X	X	X	X	X	X	X	X	X	X	X	X	X	X	X	X	X	X	X	X
DM2-1-10.5m SL16 - DM28-1-4 Way	X	X	X	X	X	X	X	X	X	X	X	X	X	X	X	X	X	X	X	X	X	X	X	X	X	X	X	X	X	X	X	X
DM1-1-12.5m SL11 + DM20-1 std 3m SOR	X	X	X	X	X	X	X	X	X	X	X	X	X	X	X	X	X	X	X	X	X	X	X	X	X	X	X	X	X	X	X	X
DM1-1-12.5m SL12 + DM21-1 std 3m DOR	X	X	X	X	X	X	X	X	X	X	X	X	X	X	X	X	X	X	X	X	X	X	X	X	X	X	X	X	X	X	X	X
DM1-1-12.5m + DM22-1 ETSA SOR	X	X	X	X	X	X	X	X	X	X	X	X	X	X	X	X	X	X	X	X	X	X	X	X	X	X	X	X	X	X	X	X
DM1-1-12.5m + DM23-1 ETSA DOR	X	X	X	X	X	X	X	X	X	X	X	X	X	X	X	X	X	X	X	X	X	X	X	X	X	X	X	X	X	X	X	X
DM1-1-12.5m + DM24-1 Mead Springs SOR	X	X	X	X	X	X	X	X	X	X	X	X	X	X	X	X	X	X	X	X	X	X	X	X	X	X	X	X	X	X	X	X
DM1-1-12.5m + DM25-1 Mead Springs DOR	X	X	X	X	X	X	X	X	X	X	X	X	X	X	X	X	X	X	X	X	X	X	X	X	X	X	X	X	X	X	X	X
DM1-1-12.5m + DM26-1 Rocky SOR	X	X	X	X	X	X	X	X	X	X	X	X	X	X	X	X	X	X	X	X	X	X	X	X	X	X	X	X	X	X	X	X
DM1-1-12.5m + DM27-1 Rocky DOR	X	X	X	X	X	X	X	X	X	X	X	X	X	X	X	X	X	X	X	X	X	X	X	X	X	X	X	X	X	X	X	X
DM1-12.5m SL17 - DM28-1-4 Way	X	X	X	X	X	X	X	X	X	X	X	X	X	X	X	X	X	X	X	X	X	X	X	X	X	X	X	X	X	X	X	X
DM7-1-3.5m BORDEAUX	X	X	X	X	X	X	X	X	X	X	X	X	X	X	X	X	X	X	X	X	X	X	X	X	X	X	X	X	X	X	X	X
DM7-1-3.5m BORDEAUX + DM29-1 - Avenue	X	X	X	X	X	X	X	X	X	X	X	X	X	X	X	X	X	X	X	X	X	X	X	X	X	X	X	X	X	X	X	X
DM7-1-3.5m BORDEAUX + DM30-1 - Nostalgie	X	X	X	X	X	X	X	X	X	X	X	X	X	X	X	X	X	X	X	X	X	X	X	X	X	X	X	X	X	X	X	X
DM8-1-4.5m BORDEAUX	X	X	X	X	X	X	X	X	X	X	X	X	X	X	X	X	X	X	X	X	X	X	X	X	X	X	X	X	X	X	X	X
DM8-1-4.5m BORDEAUX + DM29-1 - Avenue	X	X	X	X	X	X	X	X	X	X	X	X	X	X	X	X	X	X	X	X	X	X	X	X	X	X	X	X	X	X	X	X
DM8-1-4.5m BORDEAUX + DM30-1 - Nostalgie	X	X	X	X	X	X	X	X	X	X	X	X	X	X	X	X	X	X	X	X	X	X	X	X	X	X	X	X	X	X	X	X
DM9-1-6m BORDEAUX	X	X	X	X	X	X	X	X	X	X	X	X	X	X	X	X	X	X	X	X	X	X	X	X	X	X	X	X	X	X	X	X
DM9-1-6m BORDEAUX + DM29-1 - Avenue	X	X	X	X	X	X	X	X	X	X	X	X	X	X	X	X	X	X	X	X	X	X	X	X	X	X	X	X	X	X	X	X
DM9-1-6m BORDEAUX + DM30-1 - Nostalgie	X	X	X	X	X	X	X	X	X	X	X	X	X	X	X	X	X	X	X	X	X	X	X	X	X	X	X	X	X	X	X	X
DM9-1-6m BORDEAUX + DM30-1 - Nostalgie	X	X	X	X	X	X	X	X	X	X	X	X	X	X	X	X	X	X	X	X	X	X	X	X	X	X	X	X	X	X	X	X

NOTES:-
 1. REFER TO SL18-1 FOR LUMINAIRE ADAPTORS.
 2. REFER TO SL21-1 FOR STANDARD LUMINAIRE GLARE SHIELDS.
 3. 30W LED BOURKE HILL WITH 15m CABLE IS AVAILABLE ON SPECIAL ORDER WITH EXTENDED LEAD TIME.

J 08 03 24 TABLE REVISED H 06 05 22 TABLE REVISED G 28 10 21 TABLE REVISED F 20 11 20 REVISED ROWS DM51-1-2L & DM51-1-2E E 04 11 20 ADDED 3000 K TO LIST REV DATE DESCRIPTION ORGD,CHKD,APRD				COMPATIBLE UNIT DECORATIVE MATERIALS COMBINATIONS				DISTRIBUTION DESIGN CATALOGUE DRAWN: JRR DATE: 01-06-2017 DRG. No. ORIGINATED: SCALE: NTS CHECKED: REE APPROVED: GRANT STACY				westernpower DM-COMB REV: J SHT:			
---	--	--	--	--	--	--	--	--	--	--	--	--	--	--	--



Decorative Materials CU List

CU	CU Description
DM1_1_EBY	12.5m powder coated Ebony/Black
DM1_1_OWT	12.5m powder coated Off White/Surf Mist
DM1_1_GGY	12.5m powder coated Gull Grey
DM1_1_SGY	12.5m powder coated Slate Grey
DM1_1_HRD	12.5m powder coated Heritage Red
DM1_1_HGN	12.5m powder coated Hawthorn Green
DM1_1_MBL	12.5m powder coated Mountain Blue
DM1_1_CGN	12.5m powder coated Caulfield Green
DM1_1_SBL	12.5m powder coated Space Blue
DM1_1_AGY	12.5m powder coated Amour Grey
DM1_1_MER	12.5m powder coated Merino
DM1_1_MGN	12.5m powder coated Mist Green
DM1_1_TEL	12.5m powder coated Teal
DM1_1_TRD	12.5m powder coated Tuscan Red
DM2_1_EBY	10.5m Powder Coated Ebony/Black
DM2_1_OWT	10.5m Powder Coated Off White/Surf Mist
DM2_1_GGY	10.5m Powder Coated Gull Grey
DM2_1_SGY	10.5m Powder Coated Slate Grey
DM2_1_HRD	10.5m Powder Coated Heritage Red
DM2_1_HGN	10.5m Powder Coated Hawthorn Green
DM2_1_MBL	10.5m Powder Coated Mountain Blue
DM2_1_CGN	10.5m Powder Coated Caulfield Green
DM2_1_SBL	10.5m Powder Coated Space Blue
DM2_1_AGY	10.5m Powder Coated Amour grey
DM2_1_MER	10.5m Powder Coated Merino
DM2_1_MGN	10.5m Powder Coated Mist Green
DM2_1_TEL	10.5m Powder Coated Teal
DM2_1_TRD	10.5m Powder Coated Tuscan Red
DM3_1_EBY	6.5m Power Coated Ebony/Black
DM3_1_OWT	6.5m Power Coated Off White/Surf Mist
DM3_1_GGY	6.5m Power Coated Gull grey
DM3_1_SGY	6.5m Power Coated Slate Grey
DM3_1_HRD	6.5m Power Coated Heritage Red
DM3_1_HGN	6.5m Power Coated Hawthorn Green
DM3_1_MBL	6.5m Power Coated Mountain Blue
DM3_1_CGN	6.5m Power Coated Caulfield Green
DM3_1_SBL	6.5m Power Coated Space Blue
DM3_1_AGY	6.5m Power Coated Amour Grey
DM3_1_MER	6.5m Power Coated Merino
DM3_1_MGN	6.5m Power Coated Mist Green

CU	CU Description
DM3_1_TEL	6.5m Power Coated Teal
DM3_1_TRD	6.5m Power Coated Tuscan Red
DM4_1_EBY	6.5m ETSA Ebony/Black
DM4_1_OWT	6.5m ETSA Off White/Surf Mist
DM4_1_GGY	6.5m ETSA Gull grey
DM4_1_SGY	6.5m ETSA Slate Grey
DM4_1_HRD	6.5m Powder coated ETSA Heritage Red
DM4_1_HGN	6.5m ETSA Hawthorn Green
DM4_1_MBL	6.5m ETSA Mountain Blue
DM4_1_CGN	6.5m ETSA Caulfield Green
DM4_1_SBL	6.5m ETSA Space Blue
DM4_1_AGY	6.5m ETSA Amour Grey
DM4_1_MER	6.5m ETSA Merino
DM4_1_MGN	6.5m ETSA Mist Green
DM4_1_TEL	6.5m ETSA Teal
DM4_1_TRD	6.5m ETSA Tuscan Red
DM5_1_EBY	6.5m Meadow Springs Ebony/Black
DM5_1_OWT	6.5m Meadow Springs Off White/Surf Mist
DM5_1_GGY	6.5m Meadow Springs Gull grey
DM5_1_SGY	6.5m Meadow Springs Slate Grey
DM5_1_HRD	6.5m Powder coated Meadow Springs Heritage Red
DM5_1_HGN	6.5m Meadow Springs Hawthorn Green
DM5_1_MBL	6.5m Meadow Springs Mountain Blue
DM5_1_CGN	6.5m Meadow Springs Caulfield Green
DM5_1_SBL	6.5m Meadow Springs Space Blue
DM5_1_AGY	6.5m Meadow Springs Amour Grey
DM5_1_MER	6.5m Meadow Springs Merino
DM5_1_MGN	6.5m Meadow Springs Mist Green
DM5_1_TEL	6.5m Meadow Springs Teal
DM5_1_TRD	6.5m Meadow Springs Tuscan Red
DM6_1_EBY	6.5m Rocky Pole Ebony/Black
DM6_1_OWT	6.5m Rocky Pole Off White/Surf Mist
DM6_1_GGY	6.5m Rocky Pole Gull grey
DM6_1_SGY	6.5m Rocky Pole Slate Grey
DM6_1_HRD	6.5m Powder coated Rocky Pole Heritage Red
DM6_1_HGN	6.5m Rocky Pole Hawthorn Green
DM6_1_MBL	6.5m Rocky Pole Mountain Blue
DM6_1_CGN	6.5m Rocky Pole Caulfield Green
DM6_1_SBL	6.5m Rocky Pole Space Blue
DM6_1_AGY	6.5m Rocky Pole Amour Grey
DM6_1_MER	6.5m Rocky Pole Merino

CU	CU Description
DM6_1_MGN	6.5m Rocky Pole Mist Green
DM6_1_TEL	6.5m Rocky Pole Teal
DM6_1_TRD	6.5m Rocky Pole Tuscan Red
DM7_1	3.5m Bordeaux Pole
DM8_1_EBY	4.5m Bordeaux Pole Ebony/Black
DM8_1_OWT	4.5m Bordeaux Pole Off White/Surf Mist
DM8_1_GGY	4.5m Bordeaux Pole Gull grey
DM8_1_SGY	4.5m Bordeaux Pole Slate Grey
DM8_1_HRD	4.5m Bordeaux Pole Heritage Red
DM8_1_HGN	4.5m Bordeaux Pole Hawthorn Green
DM8_1_MBL	4.5m Bordeaux Pole Mountain Blue
DM8_1_CGN	4.5m Bordeaux Pole Caulfield Green
DM8_1_SBL	4.5m Bordeaux Pole Space Blue
DM8_1_AGY	4.5m Bordeaux Pole Amour Grey
DM8_1_MER	4.5m Bordeaux Pole Merino
DM8_1_MGN	4.5m Bordeaux Pole Mist Green
DM8_1_TEL	4.5m Bordeaux Pole Teal
DM8_1_TRD	4.5m Bordeaux Pole Tuscan Red
DM9_1_EBY	6m Bordeaux Pole Ebony/Black
DM9_1_OWT	6m Bordeaux Pole Off White/Surf Mist
DM9_1_GGY	6m Bordeaux Pole Gull grey
DM9_1_SGY	6m Bordeaux Pole Slate Grey
DM9_1_HRD	6m Bordeaux Pole Heritage Red
DM9_1_HGN	6m Bordeaux Pole Hawthorn Green
DM9_1_MBL	6m Bordeaux Pole Mountain Blue
DM9_1_CGN	6m Bordeaux Pole Caulfield Green
DM9_1_SBL	6m Bordeaux Pole Space Blue
DM9_1_AGY	6m Bordeaux Pole Amour Grey
DM9_1_MER	6m Bordeaux Pole Merino
DM9_1_MGN	6m Bordeaux Pole Mist Green
DM9_1_TEL	6m Bordeaux Pole Teal
DM9_1_TRD	6m Bordeaux Pole Tuscan Red
DM10_1_EBY	6.5m Standard Pole Double Outreach Ebony/Black
DM10_1_OWT	6.5m Standard Pole Double Outreach Off White/Surf Mist
DM10_1_GGY	6.5m Standard Pole Double Outreach Gull grey
DM10_1_SGY	6.5m Standard Pole Double Outreach Slate Grey
DM10_1_HRD	6.5m Powder coated Standard Pole Double Outreach Heritage Red
DM10_1_HGN	6.5m Standard Pole Double Outreach Hawthorn Green
DM10_1_MBL	6.5m Standard Pole Double Outreach Mountain Blue
DM10_1_CGN	6.5m Standard Pole Double Outreach Caulfield Green
DM10_1_SBL	6.5m Standard Pole Double Outreach Space Blue

CU	CU Description
DM10_1_AGY	6.5m Standard Pole Double Outreach Amour Grey
DM10_1_MER	6.5m Standard Pole Double Outreach Merino
DM10_1_MGN	6.5m Standard Pole Double Outreach Mist Green
DM10_1_TEL	6.5m Standard Pole Double Outreach Teal
DM10_1_TRD	6.5m Standard Pole Double Outreach Tuscan Red
DM20_1_EBY	3m Standard Single Outreach Ebony/Black
DM20_1_OWT	3m Standard Single Outreach Off White/Surf Mist
DM20_1_GGY	3m Standard Single Outreach Gull grey
DM20_1_SGY	3m Standard Single Outreach Slate Grey
DM20_1_HRD	3m Powder coated Standard Single Outreach Heritage Red
DM20_1_HGN	3m Standard Single Outreach Hawthorn Green
DM20_1_MBL	3m Standard Single Outreach Mountain Blue
DM20_1_CGN	3m Standard Single Outreach Caulfield Green
DM20_1_SBL	3m Standard Single Outreach Space Blue
DM20_1_AGY	3m Standard Single Outreach Amour Grey
DM20_1_MER	3m Standard Single Outreach Merino
DM20_1_MGN	3m Standard Single Outreach Mist Green
DM20_1_TEL	3m Standard Single Outreach Teal
DM20_1_TRD	3m Standard Single Outreach Tuscan Red
DM21_1	3m Standard Double Outreach
DM22_1	3m ETSA Single Outreach
DM23_1	3m ETSA Double Outreach
DM24_1_EBY	3m Meadow Springs Single Outreach Ebony/Black
DM24_1_OWT	3m Meadow Springs Single Outreach Off White/Surf Mist
DM24_1_GGY	3m Meadow Springs Single Outreach Gull grey
DM24_1_SGY	3m Meadow Springs Single Outreach Slate Grey
DM24_1_HRD	3m Meadow Springs Single Outreach Heritage Red
DM24_1_HGN	3m Meadow Springs Single Outreach Hawthorn Green
DM24_1_MBL	3m Meadow Springs Single Outreach Mountain Blue
DM24_1_CGN	3m Meadow Springs Single Outreach Caulfield Green
DM24_1_SBL	3m Meadow Springs Single Outreach Space Blue
DM24_1_AGY	3m Meadow Springs Single Outreach Amour Grey
DM24_1_MER	3m Meadow Springs Single Outreach Merino
DM24_1_MGN	3m Meadow Springs Single Outreach Mist Green
DM24_1_TEL	3m Meadow Springs Single Outreach Teal
DM24_1_TRD	3m Meadow Springs Single Outreach Tuscan Red
DM25_1_EBY	3m Meadow Springs Double Outreach Ebony/Black
DM25_1_OWT	3m Meadow Springs Double Outreach Off White/Surf Mist
DM25_1_GGY	3m Meadow Springs Double Outreach Gull grey
DM25_1_SGY	3m Meadow Springs Double Outreach Slate Grey
DM25_1_HRD	3m Meadow Springs Double Outreach Heritage Red

CU	CU Description
DM25_1_HGN	3m Meadow Springs Double Outreach Hawthorn Green
DM25_1_MBL	3m Meadow Springs Double Outreach Mountain Blue
DM25_1_CGN	3m Meadow Springs Double Outreach Caulfield Green
DM25_1_SBL	3m Meadow Springs Double Outreach Space Blue
DM25_1_AGY	3m Meadow Springs Double Outreach Amour Grey
DM25_1_MER	3m Meadow Springs Double Outreach Merino
DM25_1_MGN	3m Meadow Springs Double Outreach Mist Green
DM25_1_TEL	3m Meadow Springs Double Outreach Teal
DM25_1_TRD	3m Meadow Springs Double Outreach Tuscan Red
DM26_1	3m Rocky single outreach
DM27_1	3m Rocky Double Outreach
DM28_1	3m Four Way Outreach
DM29_1_EBY	Avenue Outreach Ebony/Black
DM29_1_OWT	Avenue Outreach Off White/Surf Mist
DM29_1_GGY	Avenue Outreach Gull grey
DM29_1_SGY	Avenue Outreach Slate Grey
DM29_1_HRD	Avenue Outreach Heritage Red
DM29_1_HGN	Avenue Outreach Hawthorn Green
DM29_1_MBL	Avenue Outreach Mountain Blue
DM29_1_CGN	Avenue Outreach Caulfield Green
DM29_1_SBL	Avenue Outreach Space Blue
DM29_1_AGY	Avenue Outreach Amour Grey
DM29_1_MER	Avenue Outreach Merino
DM29_1_MGN	Avenue Outreach Mist Green
DM29_1_TEL	Avenue Outreach Teal
DM29_1_TRD	Avenue Outreach Tuscan Red
DM30_1	Nostalgia Outreach
DM42_3A_EBY	Bourke Hill 30W LED Luminaire Ebony/Black (equiv. 70W HPS &MH & 125W MV)
DM42_3A_OWT	Bourke Hill 30W LED Luminaire Off White/Surf Mist (equiv. 70W HPS&MH&125W MV)
DM42_3A_GGY	Bourke Hill 30W LED Luminaire Gull Grey (equiv. 70W HPS &MH & 125W MV)
DM42_3A_SGY	Bourke Hill 30W LED Luminaire Slate Grey (equiv. 70W HPS &MH, & 125W MV)
DM42_3A_HRD	Bourke Hill 30W LED Luminaire Heritage Red (equiv. 70W HPS &MH & 125W MV)
DM42_3A_HGN	Bourke Hill 30W LED Luminaire Hawthorn Green (equiv. 70W HPS&MH&125W MV)
DM42_3A_MBL	Bourke Hill 30W LED Luminaire Mountain Blue (equiv. 70W HPS &MH & 125W MV)
DM42_3A_CGN	Bourke Hill 30W LED Luminaire Caulfield Green (equiv. 70W HPS &MH & 125W MV)
DM42_3A_SBL	Bourke Hill 30W LED Luminaire Space Blue (equiv. 70W HPS &MH, & 125W MV)
DM42_3A_AGY	Bourke Hill 30W LED Luminaire Armour Grey (equiv. 70W HPS &MH & 125W MV)
DM42_3A_MER	Bourke Hill 30W LED Luminaire Mist green (equiv. 70W HPS &MH, & 125W MV)
DM42_3A_MGN	Bourke Hill 30W LED Luminaire Mist green (equiv. 70W HPS &MH, & 125W MV)
DM42_3A_TEL	Bourke Hill 30W LED Luminaire Teal (equiv. 70W HPS &MH, & 125W MV)
DM42_3A_TRD	Bourke Hill 30W LED Luminaire Tuscan Red (equiv. 70W HPS &MH & 125W MV)

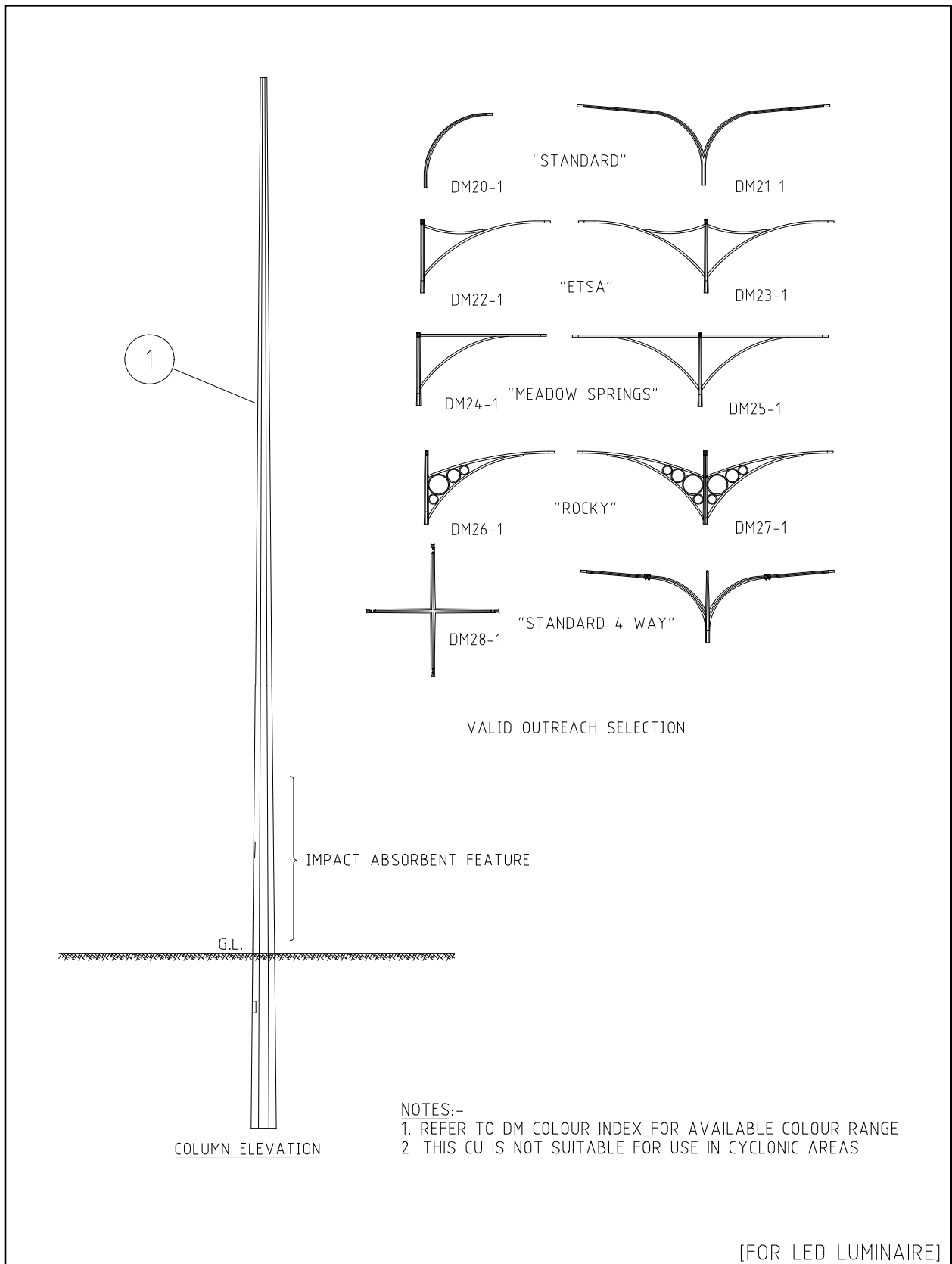
CU	CU Description
DM102_1A_EBY	Bourke Hill 14W LED Luminaire Ebony/Black (equiv. 42W CFL)
DM102_1A_OWT	Bourke Hill 14W LED Luminaire Off White/Surf mist (equiv. 42W CFL)
DM102_1A_GGY	Bourke Hill 14W LED Luminaire Slate Grey (equiv. 42W CFL)
DM102_1A_SGY	Bourke Hill 14W LED Luminaire Slate Grey (equiv. 42W CFL)
DM102_1A_HRD	Bourke Hill 14W LED Luminaire Heritage Red (equiv. 42W CFL)
DM102_1A_HGN	Bourke Hill 14W LED Luminaire Hawthorn Green (equiv. 42W CFL)
DM102_1A_MBL	Bourke Hill 14W LED Luminaire Mountain Blue (equiv. 42W CFL)
DM102_1A_CGN	Bourke Hill 14W LED Luminaire Caulfield Green (equiv. 42W CFL)
DM102_1A_SBL	Bourke Hill 14W LED Luminaire Space Blue (equiv. 42W CFL)
DM102_1A_AGY	Bourke Hill 14W LED Luminaire Armour Grey (equiv. 42W CFL)
DM102_1A_MER	Bourke Hill 14W LED Luminaire Merino (equiv. 42W CFL)
DM102_1A_MGN	Bourke Hill 14W LED Luminaire Mist Green (equiv. 42W CFL)
DM102_1A_TEL	Bourke Hill 14W LED Luminaire Teal (equiv. 42W CFL)
DM102_1A_TRD	Bourke Hill 14W LED Luminaire Tuscan Red (equiv. 42W CFL)
DM42_3M_EBY	Bourke Hill 14W LED Luminaire Ebony/ Black (equiv. 70W HPS &MH & 125W MV)
DM42_3M_OWT	Bourke Hill 30W LED Luminaire Off White/ Surf Mist (equiv. 70W HPS &MH & 125W MV)
DM42_3M_GGY	Bourke Hill 30W LED Luminaire Gull Grey (equiv. 70W HPS &MH & 125W MV)
DM42_3M_SGY	Bourke Hill 30W LED Luminaire Slate Grey (equiv. 70W HPS &MH & 125W MV)
DM42_3M_HRD	Bourke Hill 30W LED Luminaire Heritage Red (equiv. 70W HPS & MH & 125W MV)
DM42_3M_HGN	Bourke Hill 30W LED Luminaire Hawthorn Green (equiv. 70W HPS & MH & 125W MV)
DM42_3M_MBL	Bourke Hill 30W LED Luminaire Mountain Blue (equiv. 70W HPS & MH & 125W MV)
DM42_3M_CGN	Bourke Hill 30W LED Luminaire Caulfield Green (equiv. 70W HPS & MH & 125W MV)
DM42_3M_SBL	Bourke Hill 30W LED Luminaire Space Blue (equiv. 70W HPS &MH & 125W MV)
DM42_3M_AGY	Bourke Hill 30W LED Luminaire Armour Grey (equiv. 70W HPS &MH & 125W MV)
DM42_3M_MER	Bourke Hill 30W LED Luminaire Merino (equiv. 70W HPS &MH & 125W MV)
DM42_3M_MGN	Bourke Hill 30W LED Luminaire Mist green (equiv. 70W HPS &MH & 125W MV)
DM42_3M_TEL	Bourke Hill 30W LED Luminaire Teal (equiv. 70W HPS &MH & 125W MV)
DM42_3M_TRD	Bourke Hill 30W LED Luminaire Tuscan Red (equiv. 70W HPS &MH & 125W MV)
DM102_1M_EBY	Bourke Hill 14W LED Luminaire Ebony/Black (equiv. 42W CFL)
DM102_1M_OWT	Bourke Hill 14W LED Luminaire Off White/Surf mist (equiv. 42W CFL)
DM102_1M_GGY	Bourke Hill 14W LED Luminaire Gull Grey (equiv. 42W CFL)
DM102_1M_SGY	Bourke Hill 14W LED Luminaire Slate Grey (equiv. 42W CFL)
DM102_1M_HRD	Bourke Hill 14W LED Luminaire Heritage Red (equiv. 42W CFL)
DM102_1M_HGN	Bourke Hill 14W LED Luminaire Hawthorn Green (equiv. 42W CFL)
DM102_1M_MBL	Bourke Hill 14W LED Luminaire Mountain Blue (equiv. 42W CFL)
DM102_1M_CGN	Bourke Hill 14W LED Luminaire Caulfield Green (equiv. 42W CFL)
DM102_1M_SBL	Bourke Hill 14W LED Luminaire Space Blue (equiv. 42W CFL)
DM102_1M_AGY	Bourke Hill 14W LED Luminaire Armour Grey (equiv. 42W CFL)
DM102_1M_MER	Bourke Hill 14W LED Luminaire Merino (equiv. 42W CFL)
DM102_1M_MGN	Bourke Hill 14W LED Luminaire Mist Green (equiv. 42W CFL)
DM102_1M_TEL	Bourke Hill 14W LED Luminaire Teal (equiv. 42W CFL)

CU	CU Description
DM102_1M_TRD	Bourke Hill 14W LED Luminaire Tuscan Red (equiv. 42W CFL)
DM103_1B_EBY	Kensington 16W LED Luminaire Ebony/Black (equiv. 42W CFL)
DM103_1B_OWT	Kensington 16W LED Luminaire Off White/Surf Mist (equiv. 42W CFL)
DM103_1B_GGY	Kensington 16W LED Luminaire Gull Grey (equiv. 42W CFL)
DM103_1B_SGY	Kensington 16W LED Luminaire Slate Grey (equiv. 42W CFL)
DM103_1B_HRD	Kensington 16W LED Luminaire Heritage Red (equiv. 42W CFL)
DM103_1B_HGN	Kensington 16W LED Luminaire Hawthorn Green (equiv. 42W CFL)
DM103_1B_MBL	Kensington 16W LED Luminaire Mountain Blue (equiv. 42W CFL)
DM103_1B_CGN	Kensington 16W LED Luminaire Caulfield Green (equiv. 42W CFL)
DM103_1B_SBL	Kensington 16W LED Luminaire - Sky Blue (equiv. 42W CFL)
DM103_1B_AGY	Kensington 16W LED Luminaire Armour Grey (equiv. 42W CFL)
DM103_1B_MER	Kensington 16W LED Luminaire Merino (equiv. 42W CFL)
DM103_1B_MGN	Kensington 16W LED Luminaire Mist Green (equiv. 42W CFL)
DM103_1B_TEL	Kensington 16W LED Luminaire Teal (equiv. 42W CFL)
DM103_1B_TRD	Kensington 16W LED Luminaire Tuscan Red (equiv. 42W CFL)
DM103_1N_EBY	Kensington 16W LED Luminaire Ebony/Black (equiv. 42W CFL)
DM103_1N_OWT	Kensington 16W LED Luminaire Off White/Surf Mist (equiv. 42W CFL)
DM103_1N_GGY	Kensington 16W LED Luminaire Gull Grey (equiv. 42W CFL)
DM103_1N_SGY	Kensington 16W LED Luminaire Slate Grey (equiv. 42W CFL)
DM103_1N_HRD	Kensington 16W LED Luminaire Heritage Red (equiv. 42W CFL)
DM103_1N_HGN	Kensington 16W LED Luminaire Hawthorn Green (equiv. 42W CFL)
DM103_1N_MBL	Kensington 16W LED Luminaire Mountain Blue (equiv. 42W CFL)
DM103_1N_CGN	Kensington 16W LED Luminaire Caulfield Green (equiv. 42W CFL)
DM103_1N_SBL	Kensington 16W LED Luminaire Space Blue (equiv. 42W CFL)
DM103_1N_AGY	Kensington 16W LED Luminaire Armour Grey (equiv. 42W CFL)
DM103_1N_MER	Kensington 16W LED Luminaire Merino (equiv. 42W CFL)
DM103_1N_MGN	Kensington 16W LED Luminaire Mist Green (equiv. 42W CFL)
DM103_1N_TEL	Kensington 16W LED Luminaire Teal (equiv. 42W CFL)
DM103_1N_TRD	Kensington 16W LED Luminaire Tuscan Red (equiv. 42W CFL)
DM48_4C_EBY	Parkville 80W LED Luminaire Ebony/Black (equiv. 150W HPS & MH)
DM48_4C_OWT	Parkville 80W LED Luminaire Off White/ Surf Mist (equiv. 150W HPS & MH)
DM48_4C_GGY	Parkville 80W LED Luminaire Gull Grey (equiv. 150W HPS & MH)
DM48_4C_SGY	Parkville 80W LED Luminaire Slate Grey (equiv. 150W HPS & MH)
DM48_4C_HRD	Parkville 80W LED Luminaire Heritage Red (equiv. 150W HPS & MH)
DM48_4C_HGN	Parkville 80W LED Luminaire Hawthorn Green (equiv. 150W HPS & MH)
DM48_4C_MBL	Parkville 80W LED Luminaire Mountain Blue (equiv. 150W HPS & MH)
DM48_4C_CGN	Parkville 80W LED Luminaire Caulfield Green (equiv. 150W HPS & MH)
DM48_4C_SBL	Parkville 80W LED Luminaire Space Blue (equiv. 150W HPS & MH)
DM48_4C_AGY	Parkville 80W LED Luminaire Armour Grey (equiv. 150W HPS & MH)
DM48_4C_MER	Parkville 80W LED Luminaire Merino (equiv. 150W HPS & MH)
DM48_4C_MGN	Parkville 80W LED Luminaire Mist green (equiv. 150W HPS & MH)

CU	CU Description
DM48_4C_TEL	Parkville 80W LED Luminaire Teal (equiv. 150W HPS & MH)
DM48_4C_TRD	Parkville 80W LED Luminaire Tuscan Red (equiv. 150W HPS & MH)
DM49_6C_EBY	Parkville 150W LED Luminaire Ebony/Black (equiv. 250W HPS)
DM49_6C_OWT	Parkville 150W LED Luminaire Off White/Surf Mist (equiv. 250W HPS)
DM49_6C_GGY	Parkville 150W LED Luminaire Gull Grey (equiv. 250W HPS)
DM49_6C_SGY	Parkville 150W LED Luminaire Slate Grey (equiv. 250W HPS)
DM49_6C_HRD	Parkville 150W LED Luminaire Heritage Red (equiv. 250W HPS)
DM49_6C_HGN	Parkville 150W LED Luminaire Hawthorn Green (equiv. 250W HPS)
DM49_6C_MBL	Parkville 150W LED Luminaire Mountain Blue (equiv. 250W HPS)
DM49_6C_CGN	Parkville 150W LED Luminaire Caulfield Green (equiv. 250W HPS)
DM49_6C_SBL	Parkville 150W LED Luminaire Space Blue (equiv. 250W HPS)
DM49_6C_AGY	Parkville 150W LED Luminaire Armour Grey (equiv. 250W HPS)
DM49_6C_MER	Parkville 150W LED Luminaire Merino (equiv. 250W HPS)
DM49_6C_MGN	Parkville 150W LED Luminaire Mist Green (equiv. 250W HPS)
DM49_6C_TEL	Parkville 150W LED Luminaire Teal (equiv. 250W HPS)
DM49_6C_TRD	Parkville 150W LED Luminaire Tuscan Red (equiv. 250W HPS)
DM62_5C_EBY	Parkville 100W LED Luminaire Ebony/Black (equiv. 250W MH)
DM62_5C_OWT	Parkville 100W LED Luminaire Off White/Surf Mist (equiv. 250W MH)
DM62_5C_GGY	Parkville 100W LED Luminaire Gull Grey (equiv. 250W MH)
DM62_5C_SGY	Parkville 100W LED Luminaire Slate Grey (equiv. 250W MH)
DM62_5C_HRD	Parkville 100W LED Luminaire Heritage Red (equiv. 250W MH)
DM62_5C_HGN	Parkville 100W LED Luminaire Hawthorn Green (equiv. 250W MH)
DM62_5C_MBL	Parkville 100W LED Luminaire Mountain Blue (equiv. 250W MH)
DM62_5C_CGN	Parkville 100W LED Luminaire Caulfield Green (equiv. 250W MH)
DM62_5C_SBL	Parkville 100W LED Luminaire Space Blue (equiv. 250W MH)
DM62_5C_AGY	Parkville 100W LED Luminaire Armour Grey (equiv. 250W MH)
DM62_5C_MER	Parkville 100W LED Luminaire Merino (equiv. 250W MH)
DM62_5C_MGN	Parkville 100W LED Luminaire Mist green (equiv. 250W MH)
DM62_5C_TEL	Parkville 100W LED Luminaire Teal (equiv. 250W MH)
DM62_5C_TRD	Parkville 100W LED Luminaire Tuscan Red (equiv. 250W MH)
DM48_4P_EBY	Parkville 80W LED Luminaire Ebony/Black (equiv. 150W HPS & MH)
DM48_4P_OWT	Parkville 80W LED Luminaire Off White/ Surf Mist (equiv. 150W HPS & MH)
DM48_4P_GGY	Parkville 80W LED Luminaire Gull Grey (equiv. 150W HPS & MH)
DM48_4P_SGY	Parkville 80W LED Luminaire Slate Grey (equiv.150W HPS & MH)
DM48_4P_HRD	Parkville 80W LED Luminaire Heritage Red (equiv. 150W HPS & MH)
DM48_4P_HGN	Parkville 80W LED Luminaire Hawthorn Green (equiv. 150W HPS & MH)
DM48_4P_MBL	Parkville 80W LED Luminaire Mountain Blue (equiv. 150W HPS & MH)
DM48_4P_CGN	Parkville 80W LED Luminaire Caulfield Green (equiv. 150W HPS & MH)
DM48_4P_SBL	Parkville 80W LED Luminaire Space Blue (equiv. 150W HPS & MH)
DM48_4P_AGY	Parkville 80W LED Luminaire Armour Grey (equiv. 150W HPS & MH)
DM48_4P_MER	Parkville 80W LED Luminaire Merino (equiv. 150W HPS & MH)

CU	CU Description
DM48_4P_MGN	Parkville 80W LED Luminaire Mist green (equiv. 150W HPS & MH)
DM48_4P_TEL	Parkville 80W LED Luminaire Teal (equiv. 150W HPS & MH)
DM48_4P_TRD	Parkville 80W LED Luminaire Tuscan Red (equiv. 150W HPS & MH)
DM49_6P_EBY	Parkville 150W LED Luminaire Ebony/Black (equiv. 250W HPS)
DM49_6P_OWT	Parkville 150W LED Luminaire Off White/Surf Mist (equiv. 250W HPS)
DM49_6P_GGY	Parkville 150W LED Luminaire Gull Grey (equiv. 250W HPS)
DM49_6P_SGY	Parkville 150W LED Luminaire Slate Grey (equiv. 250W HPS)
DM49_6P_HRD	Parkville 150W LED Luminaire Heritage Red (equiv. 250W HPS)
DM49_6P_HGN	Parkville 150W LED Luminaire Hawthorn Green (equiv. 250W HPS)
DM49_6P_MBL	Parkville 150W LED Luminaire Mountain Blue (equiv. 250W HPS)
DM49_6P_CGN	Parkville 150W LED Luminaire Caulfield Green (equiv. 250W HPS)
DM49_6P_SBL	Parkville 150W LED Luminaire Space Blue (equiv. 250W HPS)
DM49_6P_AGY	Parkville 150W LED Luminaire Armour Grey (equiv. 250W HPS)
DM49_6P_MER	Parkville 150W LED Luminaire Merino (equiv. 250W HPS)
DM49_6P_MGN	Parkville 150W LED Luminaire Mist Green (equiv. 250W HPS)
DM49_6P_TEL	Parkville 150W LED Luminaire Teal (equiv. 250W HPS)
DM49_6P_TRD	Parkville 150W LED Luminaire Tuscan Red (equiv. 250W HPS)
DM62_5P_EBY	Parkville 100W LED Luminaire Ebony/Black (equiv. 250W MH)
DM62_5P_OWT	Parkville 100W LED Luminaire Off White/Surf Mist (equiv. 250W MH)
DM62_5P_GGY	Parkville 100W LED Luminaire Gull Grey (equiv. 250W MH)
DM62_5P_SGY	Parkville 100W LED Luminaire Slate Grey (equiv. 250W MH)
DM62_5P_HRD	Parkville 100W LED Luminaire Heritage Red (equiv. 250W MH)
DM62_5P_HGN	Parkville 100W LED Luminaire Hawthorn Green (equiv. 250W MH)
DM62_5P_MBL	Parkville 100W LED Luminaire Mountain Blue (equiv. 250W MH)
DM62_5P_CGN	Parkville 100W LED Luminaire Caulfield Green (equiv. 250W MH)
DM62_5P_SBL	Parkville 100W LED Luminaire Space Blue (equiv. 250W MH)
DM62_5P_AGY	Parkville 100W LED Luminaire Armour Grey (equiv. 250W MH)
DM62_5P_MER	Parkville 100W LED Luminaire Merino (equiv. 250W MH)
DM62_5P_MGN	Parkville 100W LED Luminaire Mist Green (equiv. 250W MH)
DM62_5P_TEL	Parkville 100W LED Luminaire Teal (equiv. 250W MH)
DM62_5P_TRD	Parkville 100W LED Luminaire Tuscan Red (equiv. 250W MH)
DM50_1_1L	Standard 20W LED Luminaire (equiv. 42W CFL & 18W LED)
DM51_1_2L	Standard 53W LED Luminaire (equiv. 125W MV)
DM52_1_4L	Standard 80W LED Luminaire (equiv. 150W HPS & MH)
DM53_1_6L	Standard 170W LED Luminaire (equiv. 250W HPS)
DM54_1_3L	Standard 36W LED Luminaire (equiv. 70W MH & HPS)
DM56_1_5L	Standard 135W LED Luminaire (equiv. 250W MH)
DM50_1_1E	Standard 16W LED Luminaire (equiv. 42W CFL 18W LED)
DM51_1_2E	Standard 43W LED Luminaire (equiv. 125W MV)
DM52_1_4E	Standard 70W LED Luminaire (equiv. 150W HPS & MH)
DM53_1_6E	Standard 165W LED Luminaire (equiv. 250W HPS)

CU	CU Description
DM54_1_3E	Standard 28W LED Luminaire (equiv. 70W MH & HPS)
DM56_1_5E	Standard 140W LED Luminaire (equiv. 250W MH)
DM57_1_2E	Standard 43W LED Luminaire (equiv. 125W MV)



COLUMN ELEVATION

- NOTES:-
 1. REFER TO DM COLOUR INDEX FOR AVAILABLE COLOUR RANGE
 2. THIS CU IS NOT SUITABLE FOR USE IN CYCLONIC AREAS

[FOR LED LUMINAIRE]

				COMPATIBLE UNIT		DISTRIBUTION DESIGN CATALOGUE		westernpower		
				TITLE		DRAWN: JRR DATE: 31-03-2014		DRG. No DM1-1		
				STANDARD POLE		ORIGINATED: SCALE: NTS		DM2-1		
						CHECKED: REE		APPROVED: GRANT STACY		
								REV. B		
REV	DATE	DESCRIPTION	ORGD.	CHKD.	APPRD.					
C	07.09.18	REVISED TO SUIT LED		REE	CO	GS				
A	01.12.09	ORIGINAL ISSUE								

CU	CU Description
-----------	-----------------------

DM1_1_EBY 12.5m powder coated Ebony/Black					
ITEM NUMBER	STOCK CODE	DESCRIPTION	QTY RQD	UNIT OF MEASURE	REMARKS
1	CW0128	pole 12.5m, powder Coated Ebony/Black	1	ea	

DM1_1_OWT 12.5m powder coated Off White/Surf Mist					
ITEM NUMBER	STOCK CODE	DESCRIPTION	QTY RQD	UNIT OF MEASURE	REMARKS
1	CW0129	pole 12.5m, powder Coated Off White/Surf Mist	1	ea	

DM1_1_GGY 12.5m powder coated Gull Grey					
ITEM NUMBER	STOCK CODE	DESCRIPTION	QTY RQD	UNIT OF MEASURE	REMARKS
1	CW0130	pole 12.5m, powder Coated Gull Grey	1	ea	

DM1_1_SGY 12.5m powder coated Slate Grey					
ITEM NUMBER	STOCK CODE	DESCRIPTION	QTY RQD	UNIT OF MEASURE	REMARKS
1	CW0131	pole 12.5m, powder Coated Slate Grey	1	ea	

DM1_1_HRD 12.5m powder coated Heritage Red					
ITEM NUMBER	STOCK CODE	DESCRIPTION	QTY RQD	UNIT OF MEASURE	REMARKS
1	CW0132	pole 12.5m, powder Coated Heritage Red	1	ea	

DM1_1_HGN 12.5m powder coated Hawthorn Green					
ITEM NUMBER	STOCK CODE	DESCRIPTION	QTY RQD	UNIT OF MEASURE	REMARKS
1	CW0133	pole 12.5m, powder Coated Hawthorn Green	1	ea	

DM1_1_MBL 12.5m powder coated Mountain Blue					
ITEM NUMBER	STOCK CODE	DESCRIPTION	QTY RQD	UNIT OF MEASURE	REMARKS
1	CW0134	pole 12.5m, powder Coated Mountain Blue	1	ea	

DM1_1_CGN 12.5m powder coated Caulfield Green					
ITEM NUMBER	STOCK CODE	DESCRIPTION	QTY RQD	UNIT OF MEASURE	REMARKS
1	CW0135	pole 12.5m, powder Coated Caulfield Green	1	ea	

CU		CU Description			
DM1_1_SBL		12.5m powder coated Space Blue			
ITEM NUMBER	STOCK NUMBER	DESCRIPTION	QTY RQD	UNIT OF MEASURE	REMARKS
1	CW0136	pole 12.5m, powder Coated Space Blue	1	ea	
DM1_1_AGY		12.5m powder coated Amour Grey			
ITEM NUMBER	STOCK CODE	DESCRIPTION	QTY RQD	UNIT OF MEASURE	REMARKS
1	CW0259	pole 12.5m, powder Coated Amour Grey	1	ea	
DM1_1_MER		12.5m powder coated Merino			
ITEM NUMBER	STOCK CODE	DESCRIPTION	QTY RQD	UNIT OF MEASURE	REMARKS
1	CW0259	pole 12.5m, powder Coated Merino	1	ea	
DM1_1_MGN		12.5m powder coated Mist Green			
ITEM NUMBER	STOCK CODE	DESCRIPTION	QTY RQD	UNIT OF MEASURE	REMARKS
1	CW0259	pole 12.5m, powder Coated Mist Green	1	ea	
DM1_1_TEL		12.5m powder coated Teal			
ITEM NUMBER	STOCK CODE	DESCRIPTION	QTY RQD	UNIT OF MEASURE	REMARKS
1	CW0259	pole 12.5m, powder Coated Teal	1	ea	
DM1_1_TRD		12.5m powder coated Tuscan Red			
ITEM NUMBER	STOCK CODE	DESCRIPTION	QTY RQD	UNIT OF MEASURE	REMARKS
1	CW0259	pole 12.5m, powder Coated Tuscan Red	1	ea	
DM2_1_EBY		10.5m Powder Coated Ebony/Black			
ITEM NUMBER	STOCK CODE	DESCRIPTION	QTY RQD	UNIT OF MEASURE	REMARKS
1	CW0119	pole 10.5m, powder coated Ebony/Black	1	ea	
DM2_1_OWT		10.5m Powder Coated Off White/Surf Mist			
ITEM NUMBER	STOCK CODE	DESCRIPTION	QTY RQD	UNIT OF MEASURE	REMARKS
1	CW0120	pole 10.5m, powder coated Off White/Surf Mist	1	ea	

CU		CU Description			
DM2_1_GGY 10.5m Powder Coated Gull Grey					
ITEM NUMBER	STOCK CODE	DESCRIPTION	QTY RQD	UNIT OF MEASURE	REMARKS
1	CW0121	pole 10.5m, powder coated Gull Grey	1	ea	
DM2_1_SGY 10.5m Powder Coated Slate Grey					
ITEM NUMBER	STOCK CODE	DESCRIPTION	QTY RQD	UNIT OF MEASURE	REMARKS
1	CW0122	pole 10.5m, powder coated Slate Grey	1	ea	
DM2_1_HRD 10.5m Powder Coated Heritage Red					
ITEM NUMBER	STOCK CODE	DESCRIPTION	QTY RQD	UNIT OF MEASURE	REMARKS
1	CW0123	pole 10.5m, powder coated heritage Red	1	ea	
DM2_1_HGN 10.5m Powder Coated Hawthorn Green					
ITEM NUMBER	STOCK CODE	DESCRIPTION	QTY RQD	UNIT OF MEASURE	REMARKS
1	CW0124	pole 10.5m, powder coated Hawthorn Green	1	ea	
DM2_1_MBL 10.5m Powder Coated Mountain Blue					
ITEM NUMBER	STOCK CODE	DESCRIPTION	QTY RQD	UNIT OF MEASURE	REMARKS
1	CW0125	pole 10.5m, powder coated Mountain Blue	1	ea	
DM2_1_CGN 10.5m Powder Coated Caulfield Green					
ITEM NUMBER	STOCK CODE	DESCRIPTION	QTY RQD	UNIT OF MEASURE	REMARKS
1	CW0126	pole 10.5m, powder coated Caulfield Green	1	ea	
DM2_1_SBL 10.5m Powder Coated Space Blue					
ITEM NUMBER	STOCK CODE	DESCRIPTION	QTY RQD	UNIT OF MEASURE	REMARKS
1	CW0127	pole 10.5m, powder coated Space Blue	1	ea	
DM2_1_AGY 10.5m Powder Coated Amour grey					
ITEM NUMBER	STOCK CODE	DESCRIPTION	QTY RQD	UNIT OF MEASURE	REMARKS
1	CW0258	pole 10.5m, powder coated Amour Grey	1	ea	

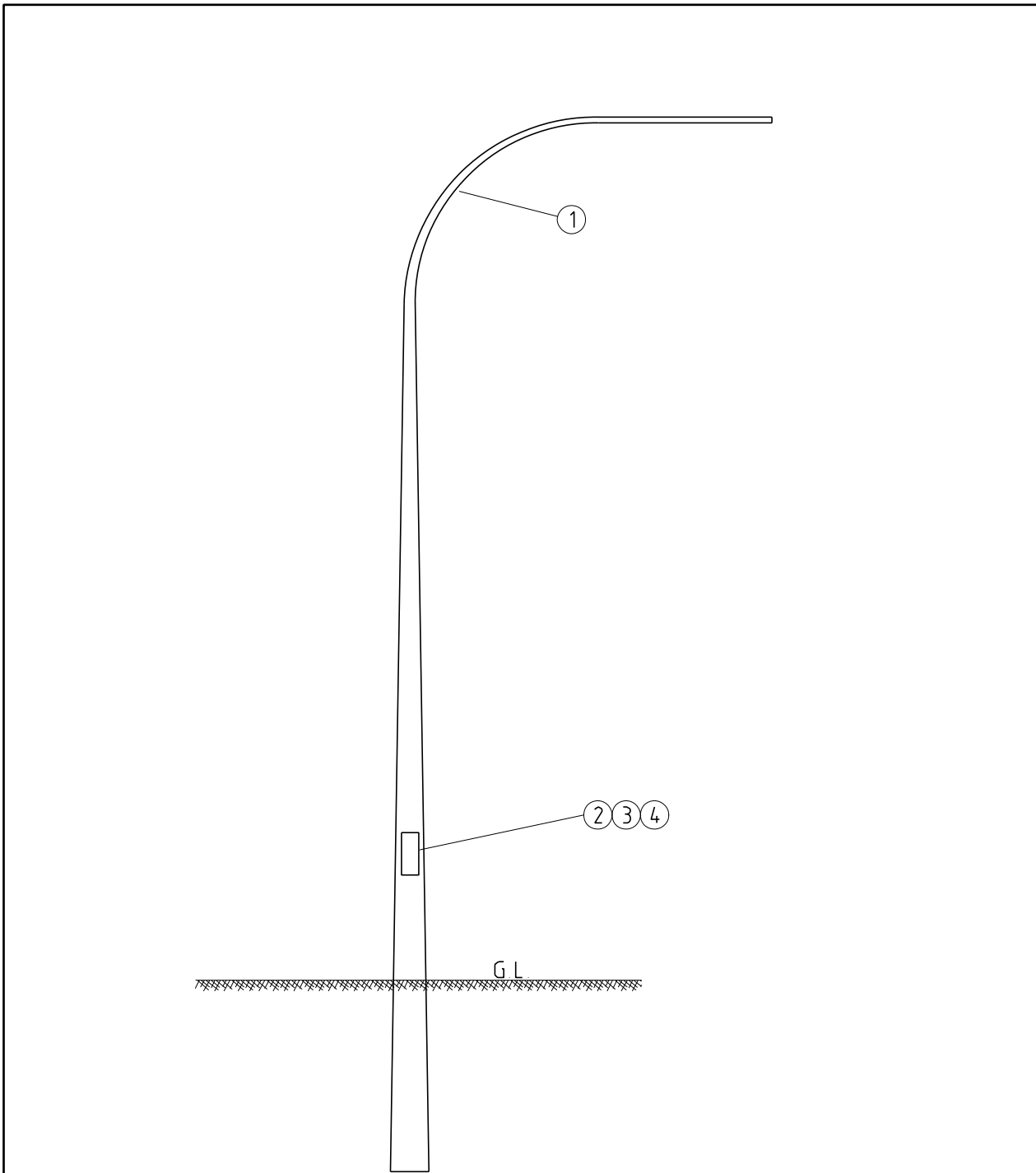
CU	CU Description
-----------	-----------------------

DM2_1_MER		10.5m Powder Coated Merino			
ITEM NUMBER	STOCK CODE	DESCRIPTION	QTY RQD	UNIT OF MEASURE	REMARKS
1	CW0258	pole 10.5m, powder coated Merino	1	ea	

DM2_1_MGN		10.5m Powder Coated Mist Green			
ITEM NUMBER	STOCK CODE	DESCRIPTION	QTY RQD	UNIT OF MEASURE	REMARKS
1	CW0258	pole 10.5m, powder coated mist green	1	ea	

DM2_1_TEL		10.5m Powder Coated Teal			
ITEM NUMBER	STOCK CODE	DESCRIPTION	QTY RQD	UNIT OF MEASURE	REMARKS
1	CW0258	pole 10.5m, powder coated teal	1	ea	

DM2_1_TRD		10.5m Powder Coated Tuscan Red			
ITEM NUMBER	STOCK CODE	DESCRIPTION	QTY RQD	UNIT OF MEASURE	REMARKS
1	CW0258	pole 10.5m, powder coated Tuscan red	1	ea	



- NOTES:-
1. REFER TO DM COLOUR INDEX FOR AVAILABLE COLOUR RANGE
 2. REFER TO R26 AND R27 FOR STREET LIGHT WIRING / SYSTEM DESIGN.

[FOR LED LUMINAIRE]

				COMPATIBLE UNIT			DISTRIBUTION DESIGN CATALOGUE		westernpower	
				TITLE			DRAWN: JRR		DATE: 31-03-2014	
				6.5m STANDARD POLE			ORIGINATED: SCALE: NTS		ORG. No.	
							CHECKED: REE		DM03-1	
							APPROVED: GRANT STACY		REV. D SHT.	
REV	DATE	DESCRIPTION	ORGO.	CHKD.	APRD.					
D	24.06.20	ITEM 4 (HZ0135) ADDED	CO	REE	GS					
C	07.09.18	REVISED TO SUIT LED	REE	CO	GS					
B	01.12.09	ORIGINAL ISSUE								

CU	CU Description
-----------	-----------------------

DM3_1_EBY 6.5m Power Coated Ebony/Black					
ITEM NUMBER	STOCK CODE	DESCRIPTION	QTY REQD	UNIT OF MEASURE	REMARKS
1	CW0110	pole 6.5m, powder coated ebony/black	1	ea	
2	GF1300	fuse cartridge 10 amp	1	ea	
3	HZ0131	SL fuse cut-out	1	ea	
4	HZ0135	Cut-out mounting bracket	1	ea	

DM3_1_OWT 6.5m Power Coated Off White/Surf Mist					
ITEM NUMBER	STOCK CODE	DESCRIPTION	QTY REQD	UNIT OF MEASURE	REMARKS
1	CW0111	pole 6.5m, powder coated off white/surf mist	1	ea	
2	GF1300	fuse cartridge 10 amp	1	ea	
3	HZ0131	SL fuse cut-out	1	ea	
4	HZ0135	Cut-out mounting bracket	1	ea	

DM3_1_GGY 6.5m Power Coated Gull grey					
ITEM NUMBER	STOCK CODE	DESCRIPTION	QTY REQD	UNIT OF MEASURE	REMARKS
1	CW0112	pole 6.5m, powder coated gull grey	1	ea	
2	GF1300	fuse cartridge 10 amp	1	ea	
3	HZ0131	SL fuse cut-out	1	ea	
4	HZ0135	Cut-out mounting bracket	1	ea	

DM3_1_SGY 6.5m Power Coated Slate Grey					
ITEM NUMBER	STOCK CODE	DESCRIPTION	QTY REQD	UNIT OF MEASURE	REMARKS
1	CW0113	pole 6.5m, powder coated slate grey	1	ea	
2	GF1300	fuse cartridge 10 amp	1	ea	
3	HZ0131	SL fuse cut-out	1	ea	
4	HZ0135	Cut-out mounting bracket	1	ea	

DM3_1_HRD 6.5m Power Coated Heritage Red					
ITEM NUMBER	STOCK CODE	DESCRIPTION	QTY REQD	UNIT OF MEASURE	REMARKS
1	CW0114	pole 6.5m, powder coated Heritage Red	1	ea	
2	GF1300	fuse cartridge 10 amp	1	ea	
3	HZ0131	SL fuse cut-out	1	ea	
4	HZ0135	Cut-out mounting bracket	1	ea	

CU	CU Description
-----------	-----------------------

DM3_1_HGN 6.5m Power Coated Hawthorn Green					
ITEM NUMBER	STOCK CODE	DESCRIPTION	QTY REQD	UNIT OF MEASURE	REMARKS
1	CW0115	pole 6.5m, powder coated Hawthorn Gren	1	ea	
2	GF1300	fuse cartridge 10 amp	1	ea	
3	HZ0131	SL fuse cut-out	1	ea	
4	HZ0135	Cut-out mounting bracket	1	ea	

DM3_1_MBL 6.5m Power Coated Mountain Blue					
ITEM NUMBER	STOCK CODE	DESCRIPTION	QTY REQD	UNIT OF MEASURE	REMARKS
1	CW0116	pole 6.5m, powder coated Mountain Blue	1	ea	
2	GF1300	fuse cartridge 10 amp	1	ea	
3	HZ0131	SL fuse cut-out	1	ea	
4	HZ0135	Cut-out mounting bracket	1	ea	

DM3_1_CGN 6.5m Power Coated Caulfield Green					
ITEM NUMBER	STOCK CODE	DESCRIPTION	QTY REQD	UNIT OF MEASURE	REMARKS
1	CW0117	pole 6.5m, powder coated caulfield green	1	ea	
2	GF1300	fuse cartridge 10 amp	1	ea	
3	HZ0131	SL fuse cut-out	1	ea	
4	HZ0135	Cut-out mounting bracket	1	ea	

DM3_1_SBL 6.5m Power Coated Space Blue					
ITEM NUMBER	STOCK CODE	DESCRIPTION	QTY REQD	UNIT OF MEASURE	REMARKS
1	CW0118	pole 6.5m, powder coated space blue	1	ea	
2	GF1300	fuse cartridge 10 amp	1	ea	
3	HZ0132	SL fuse box	1	ea	
3	HZ0131	SL fuse cut-out	1	ea	
4	HZ0135	Cut-out mounting bracket	1	ea	

DM3_1_AGY 6.5m Power Coated Armour Grey					
ITEM NUMBER	STOCK CODE	DESCRIPTION	QTY REQD	UNIT OF MEASURE	REMARKS
1	CW0257	pole 6.5m, powder coated Armour Grey	1	ea	
2	GF1300	fuse cartridge 10 amp	1	ea	
3	HZ0131	SL fuse cut-out	1	ea	
4	HZ0135	Cut-out mounting bracket	1	ea	

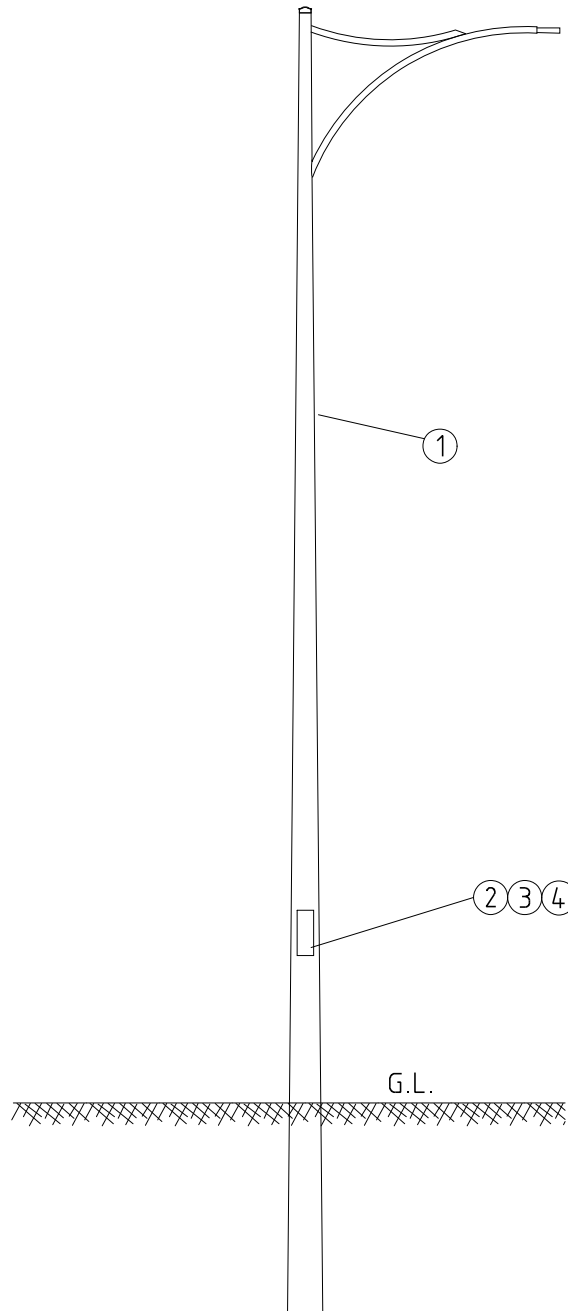
CU	CU Description
-----------	-----------------------

DM3_1_MER 6.5m Power Coated Merino					
ITEM NUMBER	STOCK CODE	DESCRIPTION	QTY REQD	UNIT OF MEASURE	REMARKS
1	CW0257	pole 6.5m, powder coated Merino	1	ea	
2	GF1300	fuse cartridge 10 amp	1	ea	
3	HZ0131	SL fuse cut-out	1	ea	
4	HZ0135	Cut-out mounting bracket	1	ea	

DM3_1_MGN 6.5m Power Coated Mist Green					
ITEM NUMBER	STOCK CODE	DESCRIPTION	QTY REQD	UNIT OF MEASURE	REMARKS
1	CW0257	pole 6.5m, powder coated mist green	1	ea	
2	GF1300	fuse cartridge 10 amp	1	ea	
3	HZ0131	SL fuse cut-out	1	ea	
4	HZ0135	Cut-out mounting bracket	1	ea	

DM3_1_TEL 6.5m Power Coated Teal					
ITEM NUMBER	STOCK CODE	DESCRIPTION	QTY REQD	UNIT OF MEASURE	REMARKS
1	CW0257	pole 6.5m, powder coated Teal	1	ea	
2	GF1300	fuse cartridge 10 amp	1	ea	
3	HZ0131	SL fuse cut-out	1	ea	
4	HZ0135	Cut-out mounting bracket	1	ea	

DM3_1_TRD 6.5m Power Coated Tuscan Red					
ITEM NUMBER	STOCK CODE	DESCRIPTION	QTY REQD	UNIT OF MEASURE	REMARKS
1	CW0257	pole 6.5m, powder coated Tuscan Red	1	ea	
2	GF1300	fuse cartridge 10 amp	1	ea	
3	HZ0131	SL fuse cut-out	1	ea	
4	HZ0135	Cut-out mounting bracket	1	ea	



- NOTES:-
 1. REFER TO DM COLOUR INDEX FOR AVAILABLE COLOUR RANGE
 2. REFER TO R26 AND R27 FOR STREET LIGHT WIRING / SYSTEM DESIGN.

[FOR LED LUMINAIRE]

				COMPATIBLE UNIT			DISTRIBUTION DESIGN CATALOGUE			
				TITLE			DRAWN: JRR		DATE: 31-03-2014	
				6.5m ETSA POLE			ORIGINATED:		SCALE: NTS	
							CHECKED: REE		APPROVED: GRANT STACY	
							REV. D		SHT. 1	
							DRG. No.		DM04-1	
REV	DATE	DESCRIPTION	ORGD.	CHKD.	APRD.					
D	24.06.20	ITEM 4 (HZ0135) ADDED	CO	REE	GS					
C	07.09.18	REVISED TO SUIT LED LUMINAIRE	REE	CO	GS					
B	01.12.09	ORIGINAL ISSUE								

CU	CU Description
-----------	-----------------------

DM4_1_EBY 6.5m ETSA Ebony/Black					
ITEM NUMBER	STOCK CODE	DESCRIPTION	QTY REQD	UNIT OF MEASURE	REMARKS
1	CW0164	pole 6.5m, powder coated ETSA ebony/black	1	ea	
2	GF1300	fuse cartridge 10 amp	1	ea	
3	HZ0131	SL fuse cut-out	1	ea	
4	HZ0135	Cut-out mounting bracket	1	ea	

DM4_1_OWT 6.5m ETSA Off White/Surf Mist					
ITEM NUMBER	STOCK CODE	DESCRIPTION	QTY REQD	UNIT OF MEASURE	REMARKS
1	CW0170	pole 6.5m, powder coated ETSA off white/surf mist	1	ea	
2	GF1300	fuse cartridge 10 amp	1	ea	
3	HZ0131	SL fuse cut-out	1	ea	
4	HZ0135	Cut-out mounting bracket	1	ea	

DM4_1_GGY 6.5m ETSA Gull grey					
ITEM NUMBER	STOCK CODE	DESCRIPTION	QTY REQD	UNIT OF MEASURE	REMARKS
1	CW0166	pole 6.5m, powder coated ETSA gull grey	1	ea	
2	GF1300	fuse cartridge 10 amp	1	ea	
3	HZ0131	SL fuse cut-out	1	ea	
4	HZ0135	Cut-out mounting bracket	1	ea	

DM4_1_SGY 6.5m ETSA Slate Grey					
ITEM NUMBER	STOCK CODE	DESCRIPTION	QTY REQD	UNIT OF MEASURE	REMARKS
1	CW0167	pole 6.5m, powder coated ETSA slate grey	1	ea	
2	GF1300	fuse cartridge 10 amp	1	ea	
3	HZ0131	SL fuse cut-out	1	ea	
4	HZ0135	Cut-out mounting bracket	1	ea	

DM4_1_HRD 6.5m Powder coated ETSA Heritage Red					
ITEM NUMBER	STOCK CODE	DESCRIPTION	QTY REQD	UNIT OF MEASURE	REMARKS
1	CW0165	pole 6.5m, powder coated ETSA Heritage Red	1	ea	
2	GF1300	fuse cartridge 10 amp	1	ea	
3	HZ0131	SL fuse cut-out	1	ea	
4	HZ0135	Cut-out mounting bracket	1	ea	

CU	CU Description
-----------	-----------------------

DM4_1_HGN 6.5m ETSA Hawthorn Green					
ITEM NUMBER	STOCK CODE	DESCRIPTION	QTY REQD	UNIT OF MEASURE	REMARKS
1	CW0168	pole 6.5m, powder coated ETSA Hawthorn Gren	1	ea	
2	GF1300	fuse cartridge 10 amp	1	ea	
3	HZ0131	SL fuse cut-out	1	ea	
4	HZ0135	Cut-out mounting bracket	1	ea	

DM4_1_MBL 6.5m ETSA Mountain Blue					
ITEM NUMBER	STOCK CODE	DESCRIPTION	QTY REQD	UNIT OF MEASURE	REMARKS
1	CW0171	pole 6.5m, powder coated ETSA Mountain Blue	1	ea	
2	GF1300	fuse cartridge 10 amp	1	ea	
3	HZ0131	SL fuse cut-out	1	ea	
4	HZ0135	Cut-out mounting bracket	1	ea	

DM4_1_CGN 6.5m ETSA Caulfield Green					
ITEM NUMBER	STOCK CODE	DESCRIPTION	QTY REQD	UNIT OF MEASURE	REMARKS
1	CW0169	pole 6.5m, powder coated ETSA caulfield green	1	ea	
2	GF1300	fuse cartridge 10 amp	1	ea	
3	HZ0131	SL fuse cut-out	1	ea	
4	HZ0135	Cut-out mounting bracket	1	ea	

DM4_1_SBL 6.5m ETSA Space Blue					
ITEM NUMBER	STOCK CODE	DESCRIPTION	QTY REQD	UNIT OF MEASURE	REMARKS
1	CW0172	pole 6.5m, powder coated ETSA space blue	1	ea	
2	GF1300	fuse cartridge 10 amp	1	ea	
3	HZ0131	SL fuse cut-out	1	ea	
4	HZ0135	Cut-out mounting bracket	1	ea	

DM4_1_AGY 6.5m ETSA Armour Grey					
ITEM NUMBER	STOCK CODE	DESCRIPTION	QTY REQD	UNIT OF MEASURE	REMARKS
1	CW0814	pole 6.5m, powder coated ETSA Armour Grey	1	ea	
2	GF1300	fuse cartridge 10 amp	1	ea	
3	HZ0131	SL fuse cut-out	1	ea	
4	HZ0135	Cut-out mounting bracket	1	ea	

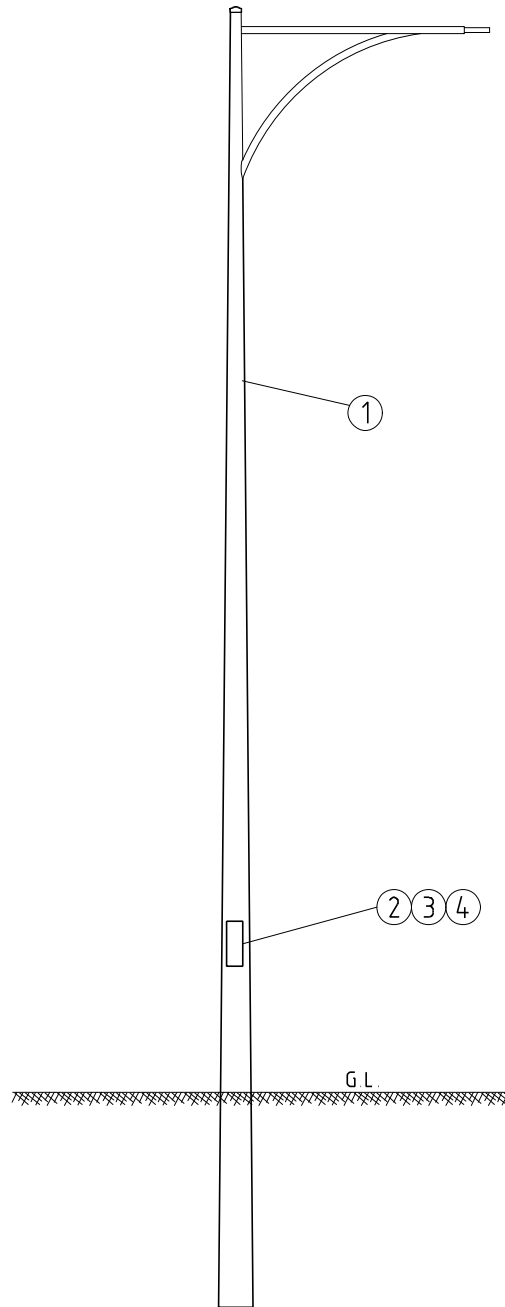
CU	CU Description
-----------	-----------------------

DM4_1_MER 6.5m ETSA Merino					
ITEM NUMBER	STOCK CODE	DESCRIPTION	QTY REQD	UNIT OF MEASURE	REMARKS
1	CW0814	pole 6.5m, powder coated ETSA Merino	1	ea	
2	GF1300	fuse cartridge 10 amp	1	ea	
3	HZ0131	SL fuse cut-out	1	ea	
4	HZ0135	Cut-out mounting bracket	1	ea	

DM4_1_MGN 6.5m ETSA Mist Green					
ITEM NUMBER	STOCK CODE	DESCRIPTION	QTY REQD	UNIT OF MEASURE	REMARKS
1	CW0814	pole 6.5m, powder coated ETSA mist green	1	ea	
2	GF1300	fuse cartridge 10 amp	1	ea	
3	HZ0131	SL fuse cut-out	1	ea	
4	HZ0135	Cut-out mounting bracket	1	ea	

DM4_1_TEL 6.5m ETSA Teal					
ITEM NUMBER	STOCK CODE	DESCRIPTION	QTY REQD	UNIT OF MEASURE	REMARKS
1	CW0814	pole 6.5m, powder coated ETSA Teal	1	ea	
2	GF1300	fuse cartridge 10 amp	1	ea	
3	HZ0131	SL fuse cut-out	1	ea	
4	HZ0135	Cut-out mounting bracket	1	ea	

DM4_1_TRD 6.5m ETSA Tuscan Red					
ITEM NUMBER	STOCK CODE	DESCRIPTION	QTY REQD	UNIT OF MEASURE	REMARKS
1	CW0814	pole 6.5m, powder coated ETSA Tuscan Red	1	ea	
2	GF1300	fuse cartridge 10 amp	1	ea	
3	HZ0131	SL fuse cut-out	1	ea	
4	HZ0135	Cut-out mounting bracket	1	ea	



NOTES:-

1. REFER TO DM COLOUR INDEX FOR AVAILABLE COLOUR RANGE
2. REFER TO R26 AND R27 FOR STREET LIGHT WIRING / SYSTEM DESIGN.

[FOR LED LUMINAIRE]

				COMPATIBLE UNIT			DISTRIBUTION DESIGN CATALOGUE		westernpower	
				TITLE			DRAWN: JRR DATE: 31-03-2014		ORG. No.	
				6.5m MEADOW SPRINGS POLE			ORIGINATED: SCALE: NTS		DM05-1	
							CHECKED: REE		REV. D	
							APPROVED: GRANT STACY			
REV	DATE	ORIGINAL ISSUE	DESCRIPTION	ORGO.	CHKD.	APRD.				
D	24.06.20	ITEM 4 (HZ0135) ADDED		CO	REE	GS				
C	07.09.18	REVISED TO SUIT LED LUMINAIRE		REE	CO	GS				
B	01.02.09	ORIGINAL ISSUE								

CU	CU Description
-----------	-----------------------

DM5_1_EBY 6.5m Meadow Springs Ebony/Black					
ITEM NUMBER	STOCK CODE	DESCRIPTION	QTY REQD	UNIT OF MEASURE	REMARKS
1	CW0173	pole 6.5m, powder coated Meadow Springs ebony/black	1	ea	
2	GF1300	fuse cartridge 10 amp	1	ea	
3	HZ0131	SL fuse cut-out	1	ea	
4	HZ0135	Cut-out mounting bracket	1	ea	

DM5_1_OWT 6.5m Meadow Springs Off White/Surf Mist					
ITEM NUMBER	STOCK CODE	DESCRIPTION	QTY REQD	UNIT OF MEASURE	REMARKS
1	CW0179	pole 6.5m, powder coated Meadow Springs off white/surf mist	1	ea	
2	GF1300	fuse cartridge 10 amp	1	ea	
3	HZ0131	SL fuse cut-out	1	ea	
4	HZ0135	Cut-out mounting bracket	1	ea	

DM5_1_GGY 6.5m Meadow Springs Gull grey					
ITEM NUMBER	STOCK CODE	DESCRIPTION	QTY REQD	UNIT OF MEASURE	REMARKS
1	CW0175	pole 6.5m, powder coated Meadow Springs gull grey	1	ea	
2	GF1300	fuse cartridge 10 amp	1	ea	
3	HZ0131	SL fuse cut-out	1	ea	
4	HZ0135	Cut-out mounting bracket	1	ea	

DM5_1_SGY 6.5m Meadow Springs Slate Grey					
ITEM NUMBER	STOCK CODE	DESCRIPTION	QTY REQD	UNIT OF MEASURE	REMARKS
1	CW0176	pole 6.5m, powder coated Meadow Springs slate grey	1	ea	
2	GF1300	fuse cartridge 10 amp	1	ea	
3	HZ0131	SL fuse cut-out	1	ea	
4	HZ0135	Cut-out mounting bracket	1	ea	

DM5_1_HRD 6.5m Powder coated Meadow Springs Heritage Red					
ITEM NUMBER	STOCK CODE	DESCRIPTION	QTY REQD	UNIT OF MEASURE	REMARKS
1	CW0174	pole 6.5m, powder coated Meadow Springs Heritage Red	1	ea	
2	GF1300	fuse cartridge 10 amp	1	ea	
3	HZ0131	SL fuse cut-out	1	ea	
4	HZ0135	Cut-out mounting bracket	1	ea	

CU	CU Description
-----------	-----------------------

DM5_1_HGN 6.5m Meadow Springs Hawthorn Green					
ITEM NUMBER	STOCK CODE	DESCRIPTION	QTY REQD	UNIT OF MEASURE	REMARKS
1	CW0177	pole 6.5m, powder coated Meadow Springs Hawthorn Green	1	ea	
2	GF1300	fuse cartridge 10 amp	1	ea	
3	HZ0131	SL fuse cut-out	1	ea	
4	HZ0135	Cut-out mounting bracket	1	ea	

DM5_1_MBL 6.5m Meadow Springs Mountain Blue					
ITEM NUMBER	STOCK CODE	DESCRIPTION	QTY REQD	UNIT OF MEASURE	REMARKS
1	CW0180	pole 6.5m, powder coated Meadow Springs Mountain Blue	1	ea	
2	GF1300	fuse cartridge 10 amp	1	ea	
3	HZ0131	SL fuse cut-out	1	ea	
4	HZ0135	Cut-out mounting bracket	1	ea	

DM5_1_CGN 6.5m Meadow Springs Caulfield Green					
ITEM NUMBER	STOCK CODE	DESCRIPTION	QTY REQD	UNIT OF MEASURE	REMARKS
1	CW0178	pole 6.5m, powder coated Meadow Springs caulfield green	1	ea	
2	GF1300	fuse cartridge 10 amp	1	ea	
3	HZ0131	SL fuse cut-out	1	ea	
4	HZ0135	Cut-out mounting bracket	1	ea	

DM5_1_SBL 6.5m Meadow Springs Space Blue					
ITEM NUMBER	STOCK CODE	DESCRIPTION	QTY REQD	UNIT OF MEASURE	REMARKS
1	CW0181	pole 6.5m, powder coated Meadow Springs space blue	1	ea	
2	GF1300	fuse cartridge 10 amp	1	ea	
3	HZ0131	SL fuse cut-out	1	ea	
4	HZ0135	Cut-out mounting bracket	1	ea	

DM5_1_AGY 6.5m Meadow Springs Armour Grey					
ITEM NUMBER	STOCK CODE	DESCRIPTION	QTY REQD	UNIT OF MEASURE	REMARKS
1	CW0822	pole 6.5m, powder coated Meadow Springs Armour Grey	1	ea	
2	GF1300	fuse cartridge 10 amp	1	ea	
3	HZ0131	SL fuse cut-out	1	ea	
4	HZ0135	Cut-out mounting bracket	1	ea	

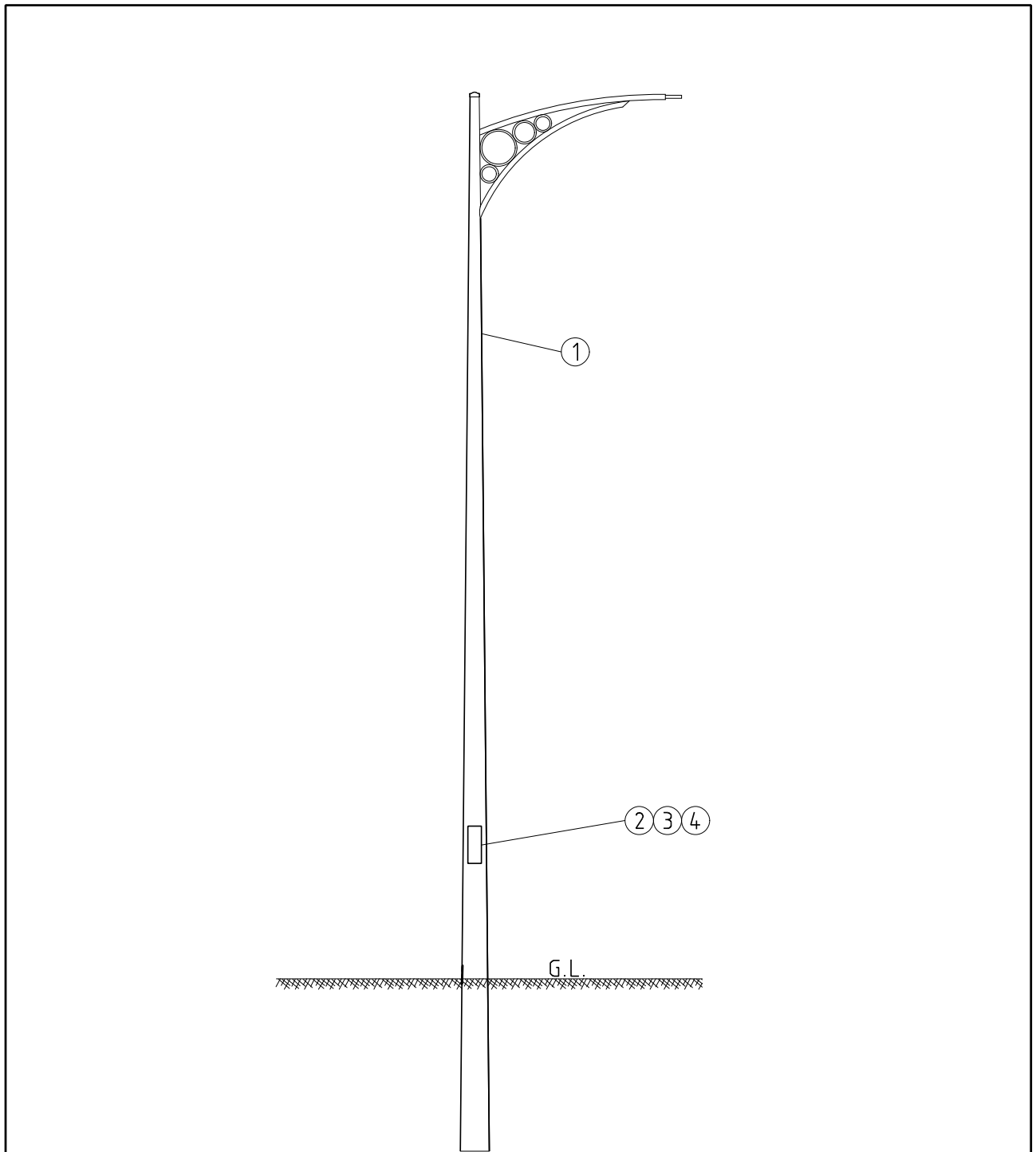
CU	CU Description
-----------	-----------------------

DM5_1_MER 6.5m Meadow Springs Merino					
ITEM NUMBER	STOCK CODE	DESCRIPTION	QTY REQD	UNIT OF MEASURE	REMARKS
1	CW0822	pole 6.5m, powder coated Meadow Springs Merino	1	ea	
2	GF1300	fuse cartridge 10 amp	1	ea	
3	HZ0131	SL fuse cut-out	1	ea	
4	HZ0135	Cut-out mounting bracket	1	ea	

DM5_1_MGN 6.5m Meadow Springs Mist Green					
ITEM NUMBER	STOCK CODE	DESCRIPTION	QTY REQD	UNIT OF MEASURE	REMARKS
1	CW0822	pole 6.5m, powder coated Meadow Springs mist green	1	ea	
2	GF1300	fuse cartridge 10 amp	1	ea	
3	HZ0131	SL fuse cut-out	1	ea	
4	HZ0135	Cut-out mounting bracket	1	ea	

DM5_1_TEL 6.5m Meadow Springs Teal					
ITEM NUMBER	STOCK CODE	DESCRIPTION	QTY REQD	UNIT OF MEASURE	REMARKS
1	CW0822	pole 6.5m, powder coated Meadow Springs Teal	1	ea	
2	GF1300	fuse cartridge 10 amp	1	ea	
3	HZ0131	SL fuse cut-out	1	ea	
4	HZ0135	Cut-out mounting bracket	1	ea	

DM5_1_TRD 6.5m Meadow Springs Tuscan Red					
ITEM NUMBER	STOCK CODE	DESCRIPTION	QTY REQD	UNIT OF MEASURE	REMARKS
1	CW0822	pole 6.5m, powder coated Meadow Springs Tuscan Red	1	ea	
2	GF1300	fuse cartridge 10 amp	1	ea	
3	HZ0131	SL fuse cut-out	1	ea	
4	HZ0135	Cut-out mounting bracket	1	ea	



- NOTES:-
 1. REFER TO DM COLOUR INDEX FOR AVAILABLE COLOUR RANGE
 2. REFER TO R26 AND R27 FOR STREET LIGHT WIRING / SYSTEM DESIGN.

[FOR LED LUMINAIRE]

				COMPATIBLE UNIT			DISTRIBUTION DESIGN CATALOGUE		westernpower	
				TITLE			DRAWN: JRR		DATE: 31-03-2014	
				6.5m ROCKY POLE			ORIGINATED:		SCALE: NTS	
							CHECKED: REE		APPROVED:	
							GRANT STACY		REV. D	
									DRG. No. DM06-1	
									SHT.	
REV	DATE	DESCRIPTION	ORGD.	CHKD.	APRO					
D	24.06.20	ITEM 4 (H20135) ADDED	CO	REE	GS					
C	07.09.18	REVISED TO SUIT LED LUMINAIRE	REE	CO	GS					
B	01.12.09	ORIGINAL ISSUE								

CU	CU Description
----	----------------

DM6_1_EBY 6.5m Rocky Pole Ebony/Black					
ITEM NUMBER	STOCK CODE	DESCRIPTION	QTY REQD	UNIT OF MEASURE	REMARKS
1	CW0155	pole 6.5m, powder coated Rocky Pole ebony/black	1	ea	
2	GF1300	fuse cartridge 10 amp	1	ea	
3	HZ0131	SL fuse cut-out	1	ea	
4	HZ0135	Cut-out mounting bracket	1	ea	

DM6_1_OWT 6.5m Rocky Pole Off White/Surf Mist					
ITEM NUMBER	STOCK CODE	DESCRIPTION	QTY REQD	UNIT OF MEASURE	REMARKS
1	CW0161	pole 6.5m, powder coated Rocky Pole off white/surf mist	1	ea	
2	GF1300	fuse cartridge 10 amp	1	ea	
3	HZ0131	SL fuse cut-out	1	ea	
4	HZ0135	Cut-out mounting bracket	1	ea	

DM6_1_GGY 6.5m Rocky Pole Gull grey					
ITEM NUMBER	STOCK CODE	DESCRIPTION	QTY REQD	UNIT OF MEASURE	REMARKS
1	CW0157	pole 6.5m, powder coated Rocky Pole gull grey	1	ea	
2	GF1300	fuse cartridge 10 amp	1	ea	
3	HZ0131	SL fuse cut-out	1	ea	
4	HZ0135	Cut-out mounting bracket	1	ea	

DM6_1_SGY 6.5m Rocky Pole Slate Grey					
ITEM NUMBER	STOCK CODE	DESCRIPTION	QTY REQD	UNIT OF MEASURE	REMARKS
1	CW0158	pole 6.5m, powder coated Rocky Pole slate grey	1	ea	
2	GF1300	fuse cartridge 10 amp	1	ea	
3	HZ0131	SL fuse cut-out	1	ea	
4	HZ0135	Cut-out mounting bracket	1	ea	

DM6_1_HRD 6.5m Powder coated Rocky Pole Heritage Red					
ITEM NUMBER	STOCK CODE	DESCRIPTION	QTY REQD	UNIT OF MEASURE	REMARKS
1	CW0156	pole 6.5m, powder coated Rocky Pole Heritage Red	1	ea	
2	GF1300	fuse cartridge 10 amp	1	ea	
3	HZ0131	SL fuse cut-out	1	ea	
4	HZ0135	Cut-out mounting bracket	1	ea	

CU	CU Description
-----------	-----------------------

DM6_1_HGN 6.5m Rocky Pole Hawthorn Green					
ITEM NUMBER	STOCK CODE	DESCRIPTION	QTY REQD	UNIT OF MEASURE	REMARKS
1	CW0159	pole 6.5m, powder coated Rocky Pole Hawthorn Gren	1	ea	
2	GF1300	fuse cartridge 10 amp	1	ea	
3	HZ0131	SL fuse cut-out	1	ea	
4	HZ0135	Cut-out mounting bracket	1	ea	

DM6_1_MBL 6.5m Rocky Pole Mountain Blue					
ITEM NUMBER	STOCK CODE	DESCRIPTION	QTY REQD	UNIT OF MEASURE	REMARKS
1	CW0162	pole 6.5m, powder coated Rocky Pole Mountain Blue	1	ea	
2	GF1300	fuse cartridge 10 amp	1	ea	
3	HZ0131	SL fuse cut-out	1	ea	
4	HZ0135	Cut-out mounting bracket	1	ea	

DM6_1_CGN 6.5m Rocky Pole Caulfield Green					
ITEM NUMBER	STOCK CODE	DESCRIPTION	QTY REQD	UNIT OF MEASURE	REMARKS
1	CW0160	pole 6.5m, powder coated Rocky Pole caulfield green	1	ea	
2	GF1300	fuse cartridge 10 amp	1	ea	
3	HZ0131	SL fuse cut-out	1	ea	
4	HZ0135	Cut-out mounting bracket	1	ea	

DM6_1_SBL 6.5m Rocky Pole Space Blue					
ITEM NUMBER	STOCK CODE	DESCRIPTION	QTY REQD	UNIT OF MEASURE	REMARKS
1	CW0163	pole 6.5m, powder coated Rocky Pole space blue	1	ea	
2	GF1300	fuse cartridge 10 amp	1	ea	
3	HZ0131	SL fuse cut-out	1	ea	
4	HZ0135	Cut-out mounting bracket	1	ea	

DM6_1_AGY 6.5m Rocky Pole Armour Grey					
ITEM NUMBER	STOCK CODE	DESCRIPTION	QTY REQD	UNIT OF MEASURE	REMARKS
1	CW0806	pole 6.5m, powder coated Rocky Pole Armour Grey	1	ea	
2	GF1300	fuse cartridge 10 amp	1	ea	
3	HZ0131	SL fuse cut-out	1	ea	
4	HZ0135	Cut-out mounting bracket	1	ea	

CU	CU Description
-----------	-----------------------

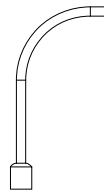
DM6_1_MER 6.5m Rocky Pole Merino					
ITEM NUMBER	STOCK CODE	DESCRIPTION	QTY REQD	UNIT OF MEASURE	REMARKS
1	CW0806	pole 6.5m, powder coated Rocky Pole Merino	1	ea	
2	GF1300	fuse cartridge 10 amp	1	ea	
3	HZ0131	SL fuse cut-out	1	ea	
4	HZ0135	Cut-out mounting bracket	1	ea	

DM6_1_MGN 6.5m Rocky Pole Mist Green					
ITEM NUMBER	STOCK CODE	DESCRIPTION	QTY REQD	UNIT OF MEASURE	REMARKS
1	CW0806	pole 6.5m, powder coated Rocky Pole mist green	1	ea	
2	GF1300	fuse cartridge 10 amp	1	ea	
3	HZ0131	SL fuse cut-out	1	ea	
4	HZ0135	Cut-out mounting bracket	1	ea	

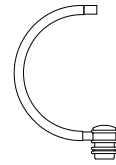
DM6_1_TEL 6.5m Rocky Pole Teal					
ITEM NUMBER	STOCK CODE	DESCRIPTION	QTY REQD	UNIT OF MEASURE	REMARKS
1	CW0806	pole 6.5m, powder coated Rocky Pole Teal	1	ea	
2	GF1300	fuse cartridge 10 amp	1	ea	
3	HZ0131	SL fuse cut-out	1	ea	
4	HZ0135	Cut-out mounting bracket	1	ea	

DM6_1_TRD 6.5m Rocky Pole Tuscan Red					
ITEM NUMBER	STOCK CODE	DESCRIPTION	QTY REQD	UNIT OF MEASURE	REMARKS
1	CW0806	pole 6.5m, powder coated Rocky Pole Tuscan Red	1	ea	
2	GF1300	fuse cartridge 10 amp	1	ea	
3	HZ0131	SL fuse cut-out	1	ea	
4	HZ0135	Cut-out mounting bracket	1	ea	

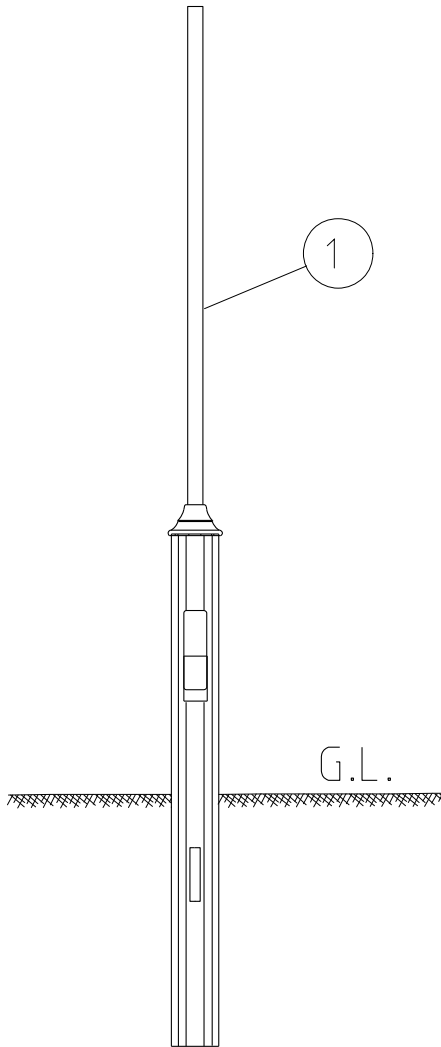
DM29



DM30



NOTE: VALID OUTREACH SELECTION



NOTES:-

- 1. REFER TO DM COLOUR INDEX FOR AVAILABLE COLOUR RANGE
- 2. REFER TO R26 AND R27 FOR STREET LIGHT WIRING / SYSTEM DESIGN.

				COMPATIBLE UNIT			DISTRIBUTION DESIGN CATALOGUE			
				TITLE			DRAWN: JRR		DATE: 31-03-2014	
				BORDEAUX POLE			ORIGINATED: SCALE: NTS		DRG. No. DM7-1, 8-1 & 9-1	
							CHECKED: REE		APPROVED: GRANT STACY	
							REV. DATE		REV. B	
							DESCRIPTION		SHT.	
							ORG. CHKD. APRD.			

CU		CU Description			
DM7_1 3.5m Bordeaux Pole					
ITEM NUMBER	STOCK CODE	DESCRIPTION	QTY RQD	UNIT OF MEASURE	REMARKS
1	CW1324	pole 3.5m, powder coated Bordeaux	1	ea	
DM8_1_EBY 4.5m Bordeaux Pole Ebony/Black					
ITEM NUMBER	STOCK CODE	DESCRIPTION	QTY RQD	UNIT OF MEASURE	REMARKS
1	CW0146	pole 4.5m, powder coated Bordeaux ebony/black	1	ea	
DM8_1_OWT 4.5m Bordeaux Pole Off White/Surf Mist					
ITEM NUMBER	STOCK CODE	DESCRIPTION	QTY RQD	UNIT OF MEASURE	REMARKS
1	CW0147	pole 4.5m, powder coated Bordeaux off white/surf mist	1	ea	
DM8_1_GGY 4.5m Bordeaux Pole Gull Grey					
ITEM NUMBER	STOCK CODE	DESCRIPTION	QTY RQD	UNIT OF MEASURE	REMARKS
1	CW0148	pole 4.5m, powder coated Bordeaux gull grey	1	ea	
DM8_1_SGY 4.5m Bordeaux Pole Slate Grey					
ITEM NUMBER	STOCK CODE	DESCRIPTION	QTY RQD	UNIT OF MEASURE	REMARKS
1	CW0149	pole 4.5m, powder coated Bordeaux slate grey	1	ea	
DM8_1_HRD 4.5m Bordeaux Pole Heritage Red					
ITEM NUMBER	STOCK CODE	DESCRIPTION	QTY RQD	UNIT OF MEASURE	REMARKS
1	CW0150	pole 4.5m, powder coated Bordeaux heritage red	1	ea	
DM8_1_HGN 4.5m Bordeaux Pole Hawthorn Green					
ITEM NUMBER	STOCK CODE	DESCRIPTION	QTY RQD	UNIT OF MEASURE	REMARKS
1	CW0151	pole 4.5m, powder coated Bordeaux hawthorn green	1	ea	
DM8_1_MBL 4.5m Bordeaux Pole Mountain Blue					
ITEM NUMBER	STOCK CODE	DESCRIPTION	QTY RQD	UNIT OF MEASURE	REMARKS
1	CW0152	pole 4.5m, powder coated Bordeaux mountain blue	1	ea	

CU		CU Description			
DM8_1_CGN 4.5m Bordeaux Pole Caulfield Green					
ITEM NUMBER	STOCK CODE	DESCRIPTION	QTY RQD	UNIT OF MEASURE	REMARKS
1	CW0153	pole 4.5m, powder coated Bordeaux Caulfield green	1	ea	
DM8_1_SBL 4.5m Bordeaux Pole Space Blue					
ITEM NUMBER	STOCK CODE	DESCRIPTION	QTY RQD	UNIT OF MEASURE	REMARKS
1	CW0154	pole 4.5m, powder coated Bordeaux space blue	1	ea	
DM8_1_AGY 4.5m Bordeaux Pole Amour Grey					
ITEM NUMBER	STOCK CODE	DESCRIPTION	QTY RQD	UNIT OF MEASURE	REMARKS
1	CW0718	pole 4.5m, powder coated Bordeaux amour grey	1	ea	
DM8_1_MER 4.5m Bordeaux Pole Merino					
ITEM NUMBER	STOCK CODE	DESCRIPTION	QTY RQD	UNIT OF MEASURE	REMARKS
1	CW0718	pole 4.5m, powder coated Bordeaux merino	1	ea	
DM8_1_MGN 4.5m Bordeaux Pole Mist Green					
ITEM NUMBER	STOCK CODE	DESCRIPTION	QTY RQD	UNIT OF MEASURE	REMARKS
1	CW0718	pole 4.5m, powder coated Bordeaux mist green	1	ea	
DM8_1_TEL 4.5m Bordeaux Pole Teal					
ITEM NUMBER	STOCK CODE	DESCRIPTION	QTY RQD	UNIT OF MEASURE	REMARKS
1	CW0718	pole 4.5m, powder coated Bordeaux teal	1	ea	
DM8_1_TRD 4.5m Bordeaux Pole Tuscan Red					
ITEM NUMBER	STOCK CODE	DESCRIPTION	QTY RQD	UNIT OF MEASURE	REMARKS
1	CW0718	pole 4.5m, powder coated Bordeaux Tuscan red	1	ea	
DM9_1_EBY 6m Bordeaux Pole Ebony/Black					
ITEM NUMBER	STOCK CODE	DESCRIPTION	QTY RQD	UNIT OF MEASURE	REMARKS
1	CW0137	pole 6m, powder coated Bordeaux ebony/black	1	ea	

CU		CU Description			
DM9_1_OWT 6m Bordeaux Pole Off white/Surf Mist					
ITEM NUMBER	STOCK CODE	DESCRIPTION	QTY RQD	UNIT OF MEASURE	REMARKS
1	CW0138	pole 6m, powder coated Bordeaux off white/surf mist	1	ea	
DM9_1_GGY 6m Bordeaux Pole Gull Grey					
ITEM NUMBER	STOCK CODE	DESCRIPTION	QTY RQD	UNIT OF MEASURE	REMARKS
1	CW0139	pole 6m, powder coated Bordeaux gull grey	1	ea	
DM9_1_SGY 6m Bordeaux Pole Slate Grey					
ITEM NUMBER	STOCK CODE	DESCRIPTION	QTY RQD	UNIT OF MEASURE	REMARKS
1	CW0140	pole 6m, powder coated Bordeaux slate grey	1	ea	
DM9_1_HRD 6m Bordeaux Pole Heritage Red					
ITEM NUMBER	STOCK CODE	DESCRIPTION	QTY RQD	UNIT OF MEASURE	REMARKS
1	CW0141	pole 6m, powder coated Bordeaux heritage red	1	ea	
DM9_1_HGN 6m Bordeaux Pole Hawthorn Green					
ITEM NUMBER	STOCK CODE	DESCRIPTION	QTY RQD	UNIT OF MEASURE	REMARKS
1	CW0142	pole 6m, powder coated Bordeaux hawthorn green	1	ea	
DM9_1_MBL 6m Bordeaux Pole Mountain Blue					
ITEM NUMBER	STOCK CODE	DESCRIPTION	QTY RQD	UNIT OF MEASURE	REMARKS
1	CW0143	pole 6m, powder coated Bordeaux mountain blue	1	ea	
DM9_1_CGN 6m Bordeaux Pole Caulfield Green					
ITEM NUMBER	STOCK CODE	DESCRIPTION	QTY RQD	UNIT OF MEASURE	REMARKS
1	CW0144	pole 6m, powder coated Bordeaux Caulfield green	1	ea	
DM9_1_SBL 6m Bordeaux Pole Space Blue					
ITEM NUMBER	STOCK CODE	DESCRIPTION	QTY RQD	UNIT OF MEASURE	REMARKS
1	CW0145	pole 6m, powder coated Bordeaux space blue	1	ea	

CU	CU Description
-----------	-----------------------

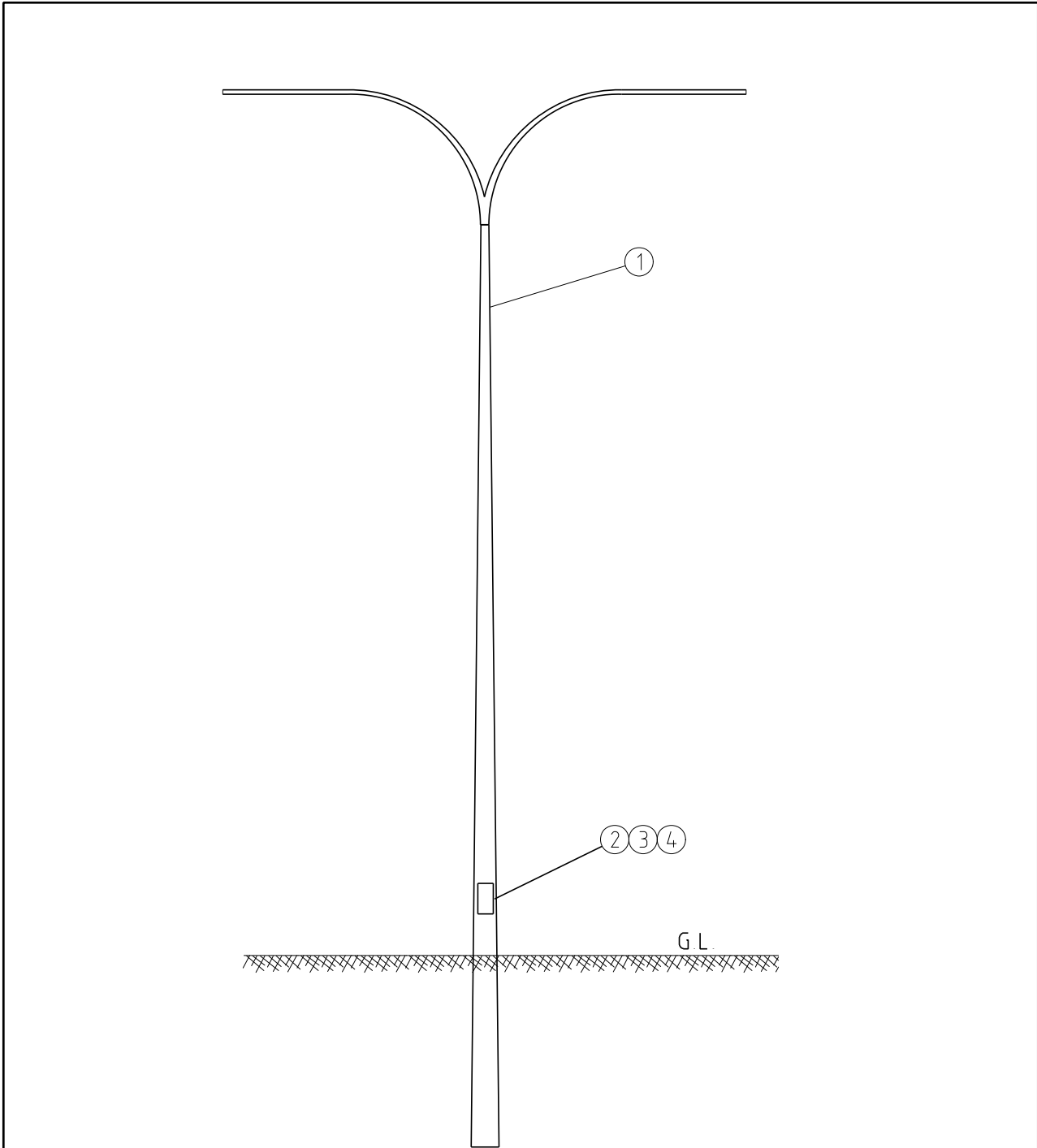
DM9_1_AGY		6m Bordeaux Pole Amour Grey			
ITEM NUMBER	STOCK CODE	DESCRIPTION	QTY RQD	UNIT OF MEASURE	REMARKS
1	CW0710	pole 6m, powder coated Bordeaux amour grey	1	ea	

DM9_1_MER		6m Bordeaux Pole Merino			
ITEM NUMBER	STOCK CODE	DESCRIPTION	QTY RQD	UNIT OF MEASURE	REMARKS
1	CW0710	pole 6m, powder coated Bordeaux merino	1	ea	

DM9_1_MGN		6m Bordeaux Pole Mist Green			
ITEM NUMBER	STOCK CODE	DESCRIPTION	QTY RQD	UNIT OF MEASURE	REMARKS
1	CW0710	pole 6m, powder coated Bordeaux mist green	1	ea	

DM9_1_TEL		6m Bordeaux Pole Teal			
ITEM NUMBER	STOCK CODE	DESCRIPTION	QTY RQD	UNIT OF MEASURE	REMARKS
1	CW0710	pole 6m, powder coated Bordeaux teal	1	ea	

DM9_1_TRD		6m Bordeaux Pole Tuscan Red			
ITEM NUMBER	STOCK CODE	DESCRIPTION	QTY RQD	UNIT OF MEASURE	REMARKS
1	CW0710	pole 6m, powder coated Bordeaux Tuscan red	1	ea	



- NOTES:-
 1. REFER TO DM COLOUR INDEX FOR AVAILABLE COLOUR RANGE
 2. REFER TO R26 AND R27 FOR STREET LIGHT WIRING / SYSTEM DESIGN.

[FOR LED LUMINAIRE]

				COMPATIBLE UNIT			DISTRIBUTION DESIGN CATALOGUE			
				TITLE			DRAWN: JRR		DATE: 31-03-2014	
				6.5m STANDARD POLE DOUBLE OUTREACH			ORIGINATED:		SCALE: NTS	
							CHECKED: REE		DRG. No. DM10-1	
							APPROVED: GRANT STACY		REV. C	
REV	DATE	DESCRIPTION	ORGO.	CHKD.	APPR			SHT.		

CU	CU Description
-----------	-----------------------

DM10_1_EBY 6.5m Standard Pole Double Outreach Ebony/Black					
ITEM NUMBER	STOCK CODE	DESCRIPTION	QTY REQD	UNIT OF MEASURE	REMARKS
1	CW1332	pole 6.5m, powder coated Standard Pole Double Outreach ebony/black	1	ea	
2	GF1300	fuse cartridge 10 amp	2	ea	
3	HZ0131	SL fuse cut-out	1	ea	
4	HZ0135	Cut-out mounting bracket	1	ea	

DM10_1_OWT 6.5m Standard Pole Double Outreach Off White/Surf Mist					
ITEM NUMBER	STOCK CODE	DESCRIPTION	QTY REQD	UNIT OF MEASURE	REMARKS
1	CW1332	pole 6.5m, powder coated Standard Pole Double Outreach off white/surf mist	1	ea	
2	GF1300	fuse cartridge 10 amp	2	ea	
3	HZ0131	SL fuse cut-out	1	ea	
4	HZ0135	Cut-out mounting bracket	1	ea	

DM10_1_GGY 6.5m Standard Pole Double Outreach Gull grey					
ITEM NUMBER	STOCK CODE	DESCRIPTION	QTY REQD	UNIT OF MEASURE	REMARKS
1	CW1332	pole 6.5m, powder coated Standard Pole Double Outreach gull grey	1	ea	
2	GF1300	fuse cartridge 10 amp	2	ea	
3	HZ0131	SL fuse cut-out	1	ea	
4	HZ0135	Cut-out mounting bracket	1	ea	

DM10_1_SGY 6.5m Standard Pole Double Outreach Slate Grey					
ITEM NUMBER	STOCK CODE	DESCRIPTION	QTY REQD	UNIT OF MEASURE	REMARKS
1	CW1332	pole 6.5m, powder coated Standard Pole Double Outreach slate grey	1	ea	
2	GF1300	fuse cartridge 10 amp	2	ea	
3	HZ0132	SL fuse box	1	ea	
3	HZ0131	SL fuse cut-out	1	ea	
4	HZ0135	Cut-out mounting bracket	1	ea	

DM10_1_HRD 6.5m Powder coated Standard Pole Double Outreach Heritage Red					
ITEM NUMBER	STOCK CODE	DESCRIPTION	QTY REQD	UNIT OF MEASURE	REMARKS
1	CW1332	pole 6.5m, powder coated Standard Pole Double Outreach Heritage Red	1	ea	
2	GF1300	fuse cartridge 10 amp	2	ea	
3	HZ0131	SL fuse cut-out	1	ea	
4	HZ0135	Cut-out mounting bracket	1	ea	

CU	CU Description
-----------	-----------------------

DM10_1_HGN 6.5m Standard Pole Double Outreach Hawthorn Green					
ITEM NUMBER	STOCK CODE	DESCRIPTION	QTY REQD	UNIT OF MEASURE	REMARKS
1	CW1332	pole 6.5m, powder coated Standard Pole Double Outreach Hawthorn Gren	1	ea	
2	GF1300	fuse cartridge 10 amp	2	ea	
3	HZ0131	SL fuse cut-out	1	ea	
4	HZ0135	Cut-out mounting bracket	1	ea	

DM10_1_MBL 6.5m Standard Pole Double Outreach Mountain Blue					
ITEM NUMBER	STOCK CODE	DESCRIPTION	QTY REQD	UNIT OF MEASURE	REMARKS
1	CW1332	pole 6.5m, powder coated Standard Pole Double Outreach Mountain Blue	1	ea	
2	GF1300	fuse cartridge 10 amp	2	ea	
3	HZ0131	SL fuse cut-out	1	ea	
4	HZ0135	Cut-out mounting bracket	1	ea	

DM10_1_CGN 6.5m Standard Pole Double Outreach Caulfield Green					
ITEM NUMBER	STOCK CODE	DESCRIPTION	QTY REQD	UNIT OF MEASURE	REMARKS
1	CW1332	pole 6.5m, powder coated Standard Pole Double Outreach caulfield green	1	ea	
2	GF1300	fuse cartridge 10 amp	2	ea	
3	HZ0131	SL fuse cut-out	1	ea	
4	HZ0135	Cut-out mounting bracket	1	ea	

DM10_1_SBL 6.5m Standard Pole Double Outreach Space Blue					
ITEM NUMBER	STOCK CODE	DESCRIPTION	QTY REQD	UNIT OF MEASURE	REMARKS
1	CW1332	pole 6.5m, powder coated Standard Pole Double Outreach space blue	1	ea	
2	GF1300	fuse cartridge 10 amp	2	ea	
3	HZ0131	SL fuse cut-out	1	ea	
4	HZ0135	Cut-out mounting bracket	1	ea	

DM10_1_AGY 6.5m Standard Pole Double Outreach Armour Grey					
ITEM NUMBER	STOCK CODE	DESCRIPTION	QTY REQD	UNIT OF MEASURE	REMARKS
1	CW1332	pole 6.5m, powder coated Standard Pole Double Outreach Armour Grey	1	ea	
2	GF1300	fuse cartridge 10 amp	2	ea	
3	HZ0131	SL fuse cut-out	1	ea	
4	HZ0135	Cut-out mounting bracket	1	ea	

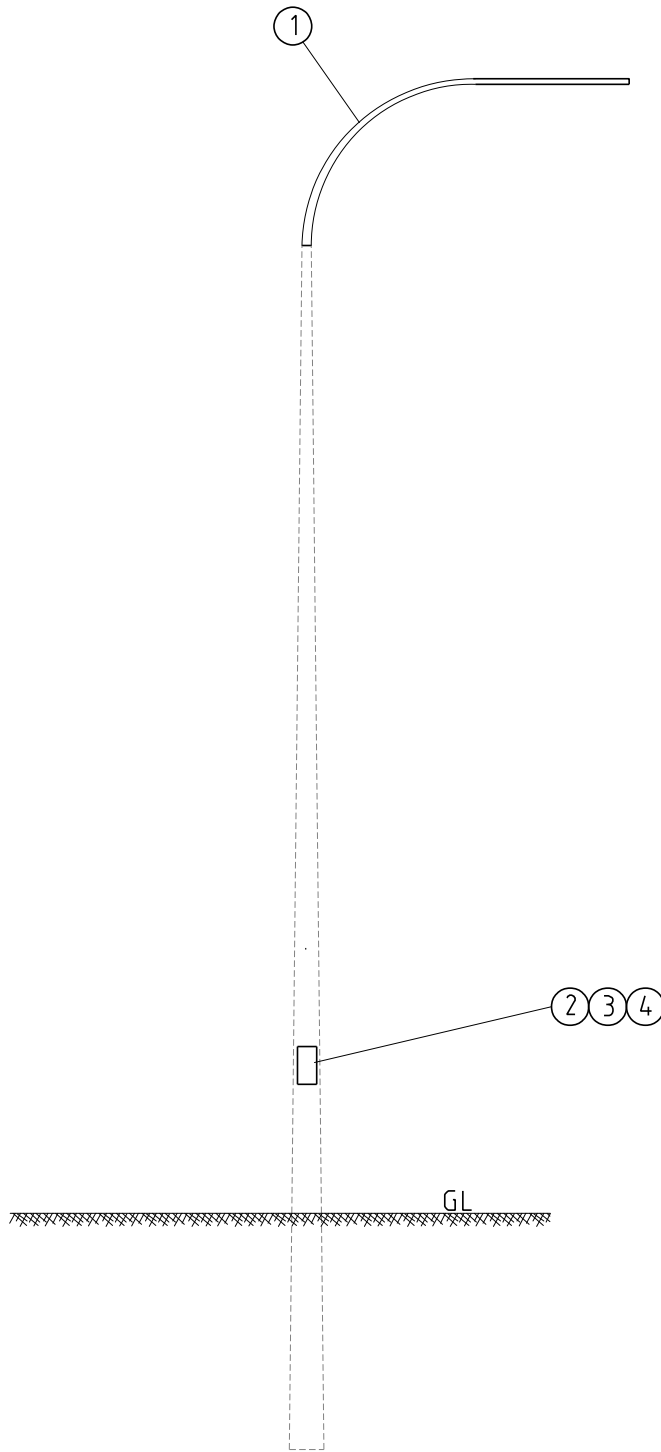
CU	CU Description
-----------	-----------------------

DM10_1_MER 6.5m Standard Pole Double Outreach Merino					
ITEM NUMBER	STOCK CODE	DESCRIPTION	QTY REQD	UNIT OF MEASURE	REMARKS
1	CW1332	pole 6.5m, powder coated Standard Pole Double Outreach Merino	1	ea	
2	GF1300	fuse cartridge 10 amp	2	ea	
3	HZ0131	SL fuse cut-out	1	ea	
4	HZ0135	Cut-out mounting bracket	1	ea	

DM10_1_MGN 6.5m Standard Pole Double Outreach Mist Green					
ITEM NUMBER	STOCK CODE	DESCRIPTION	QTY REQD	UNIT OF MEASURE	REMARKS
1	CW1332	pole 6.5m, powder coated Standard Pole Double Outreach mist green	1	ea	
2	GF1300	fuse cartridge 10 amp	2	ea	
3	HZ0131	SL fuse cut-out	1	ea	
4	HZ0135	Cut-out mounting bracket	1	ea	

DM10_1_TEL 6.5m Standard Pole Double Outreach Teal					
ITEM NUMBER	STOCK CODE	DESCRIPTION	QTY REQD	UNIT OF MEASURE	REMARKS
1	CW1332	pole 6.5m, powder coated Standard Pole Double Outreach Teal	1	ea	
2	GF1300	fuse cartridge 10 amp	2	ea	
3	HZ0131	SL fuse cut-out	1	ea	
4	HZ0135	Cut-out mounting bracket	1	ea	

DM10_1_TRD 6.5m Standard Pole Double Outreach Tuscan Red					
ITEM NUMBER	STOCK CODE	DESCRIPTION	QTY REQD	UNIT OF MEASURE	REMARKS
1	CW1332	pole 6.5m, powder coated Standard Pole Double Outreach Tuscan Red	1	ea	
2	GF1300	fuse cartridge 10 amp	2	ea	
3	HZ0131	SL fuse cut-out	1	ea	
4	HZ0135	Cut-out mounting bracket	1	ea	



NOTES:-
 1. REFER TO DM COLOUR INDEX FOR AVAILABLE COLOUR RANGE
 2. REFER TO R26 AND R27 FOR STREET LIGHT WIRING / SYSTEM DESIGN.

[FOR LED LUMINAIRE]

			COMPATIBLE UNIT			DISTRIBUTION DESIGN CATALOGUE		westernpower	
			TITLE			DRAWN: JRR		DATE: 31-03-2014	
			3m STANDARD SINGLE OUTREACH			ORIGINATED:		SCALE: NTS	
						CHECKED: REE		DRG. No.	
						APPROVED: GRANT STACY		REV. D	
REV	DATE	DESCRIPTION	ORGD.	CHKD.	APRD.			SHT.	
D	24.06.20	ITEM 4 (H20195) ADDED	CO	REE	GS			DM20-1	
C	07.09.18	REVISED TO SUIT LED LUMINAIRE	REE	CO	GS				
B	01.12.09	ORIGINAL ISSUE							

CU	CU Description
-----------	-----------------------

DM20_1_EBY 3m Standard Single Outreach Ebony/Black					
ITEM NUMBER	STOCK CODE	DESCRIPTION	QTY REQD	UNIT OF MEASURE	REMARKS
1	CW0200	single outreach 3m, powder coated ebony/black	1	ea	
2	GF1300	fuse cartridge 10 amp	1	ea	
3	HZ0131	SL fuse cut-out	1	ea	
4	HZ0135	Cut-out mounting bracket	1	ea	

DM20_1_OWT 3m Standard Single Outreach Off White/Surf Mist					
ITEM NUMBER	STOCK CODE	DESCRIPTION	QTY REQD	UNIT OF MEASURE	REMARKS
1	CW0201	single outreach 3m, powder coated off white/surf mist	1	ea	
2	GF1300	fuse cartridge 10 amp	1	ea	
3	HZ0131	SL fuse cut-out	1	ea	
4	HZ0135	Cut-out mounting bracket	1	ea	

DM20_1_GGY 3m Standard Single Outreach Gull grey					
ITEM NUMBER	STOCK CODE	DESCRIPTION	QTY REQD	UNIT OF MEASURE	REMARKS
1	CW0202	single outreach 3m, powder coated gull grey	1	ea	
2	GF1300	fuse cartridge 10 amp	1	ea	
3	HZ0131	SL fuse cut-out	1	ea	
4	HZ0135	Cut-out mounting bracket	1	ea	

DM20_1_SGY 3m Standard Single Outreach Slate Grey					
ITEM NUMBER	STOCK CODE	DESCRIPTION	QTY REQD	UNIT OF MEASURE	REMARKS
1	CW0203	single outreach 3m, powder coated slate grey	1	ea	
2	GF1300	fuse cartridge 10 amp	1	ea	
3	HZ0131	SL fuse cut-out	1	ea	
4	HZ0135	Cut-out mounting bracket	1	ea	

DM20_1_HRD 3m Powder coated Standard Single Outreach Heritage Red					
ITEM NUMBER	STOCK CODE	DESCRIPTION	QTY REQD	UNIT OF MEASURE	REMARKS
1	CW0204	single outreach 3m, powder coated Heritage Red	1	ea	
2	GF1300	fuse cartridge 10 amp	1	ea	
3	HZ0131	SL fuse cut-out	1	ea	
4	HZ0135	Cut-out mounting bracket	1	ea	

CU	CU Description
-----------	-----------------------

DM20_1_HGN 3m Standard Single Outreach Hawthorn Green					
ITEM NUMBER	STOCK CODE	DESCRIPTION	QTY REQD	UNIT OF MEASURE	REMARKS
1	CW0205	single outreach 3m, powder coated Hawthorn Gren	1	ea	
2	GF1300	fuse cartridge 10 amp	1	ea	
3	HZ0131	SL fuse cut-out	1	ea	
4	HZ0135	Cut-out mounting bracket	1	ea	

DM20_1_MBL 3m Standard Single Outreach Mountain Blue					
ITEM NUMBER	STOCK CODE	DESCRIPTION	QTY REQD	UNIT OF MEASURE	REMARKS
1	CW0206	single outreach 3m, powder coated Mountain Blue	1	ea	
2	GF1300	fuse cartridge 10 amp	1	ea	
3	HZ0131	SL fuse cut-out	1	ea	
4	HZ0135	Cut-out mounting bracket	1	ea	

DM20_1_CGN 3m Standard Single Outreach Caulfield Green					
ITEM NUMBER	STOCK CODE	DESCRIPTION	QTY REQD	UNIT OF MEASURE	REMARKS
1	CW0207	single outreach 3m, powder coated caulfield green	1	ea	
2	GF1300	fuse cartridge 10 amp	1	ea	
3	HZ0131	SL fuse cut-out	1	ea	
4	HZ0135	Cut-out mounting bracket	1	ea	

DM20_1_SBL 3m Standard Single Outreach Space Blue					
ITEM NUMBER	STOCK CODE	DESCRIPTION	QTY REQD	UNIT OF MEASURE	REMARKS
1	CW0208	single outreach 3m, powder coated space blue	1	ea	
2	GF1300	fuse cartridge 10 amp	1	ea	
3	HZ0131	SL fuse cut-out	1	ea	
4	HZ0135	Cut-out mounting bracket	1	ea	

DM20_1_AGY 3m Standard Single Outreach Armour Grey					
ITEM NUMBER	STOCK CODE	DESCRIPTION	QTY REQD	UNIT OF MEASURE	REMARKS
1	CW0261	single outreach 3m, powder coated Armour Grey	1	ea	
2	GF1300	fuse cartridge 10 amp	1	ea	
3	HZ0131	SL fuse cut-out	1	ea	
4	HZ0135	Cut-out mounting bracket	1	ea	

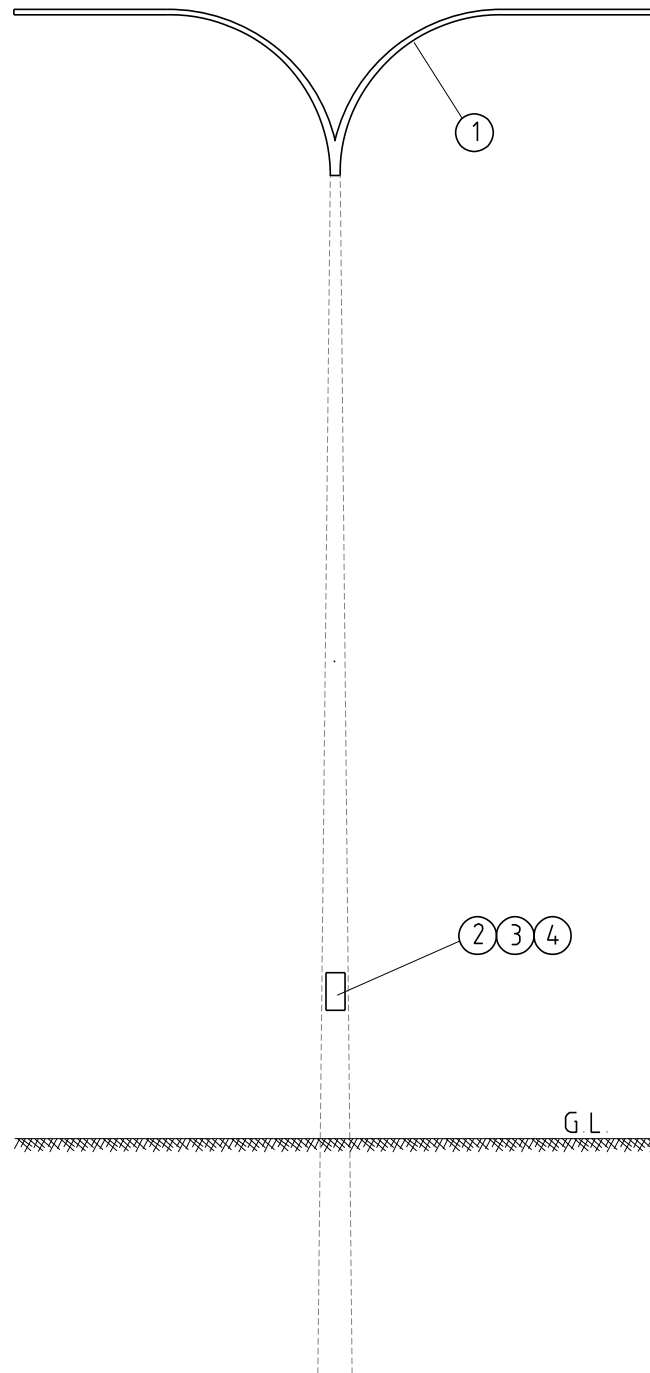
CU	CU Description
-----------	-----------------------

DM20_1_MER 3m Standard Single Outreach Merino					
ITEM NUMBER	STOCK CODE	DESCRIPTION	QTY REQD	UNIT OF MEASURE	REMARKS
1	CW0261	single outreach 3m, powder coated Merino	1	ea	
2	GF1300	fuse cartridge 10 amp	1	ea	
3	HZ0131	SL fuse cut-out	1	ea	
4	HZ0135	Cut-out mounting bracket	1	ea	

DM20_1_MGN 3m Standard Single Outreach Mist Green					
ITEM NUMBER	STOCK CODE	DESCRIPTION	QTY REQD	UNIT OF MEASURE	REMARKS
1	CW0261	single outreach 3m, powder coated mist green	1	ea	
2	GF1300	fuse cartridge 10 amp	1	ea	
3	HZ0131	SL fuse cut-out	1	ea	
4	HZ0135	Cut-out mounting bracket	1	ea	

DM20_1_TEL 3m Standard Single Outreach Teal					
ITEM NUMBER	STOCK CODE	DESCRIPTION	QTY REQD	UNIT OF MEASURE	REMARKS
1	CW0261	single outreach 3m, powder coated Teal	1	ea	
2	GF1300	fuse cartridge 10 amp	1	ea	
3	HZ0131	SL fuse cut-out	1	ea	
4	HZ0135	Cut-out mounting bracket	1	ea	

DM20_1_TRD 3m Standard Single Outreach Tuscan Red					
ITEM NUMBER	STOCK CODE	DESCRIPTION	QTY REQD	UNIT OF MEASURE	REMARKS
1	CW0261	single outreach 3m, powder coated Tuscan Red	1	ea	
2	GF1300	fuse cartridge 10 amp	1	ea	
3	HZ0131	SL fuse cut-out	1	ea	
4	HZ0135	Cut-out mounting bracket	1	ea	



- NOTES:-
 1. REFER TO DM COLOUR INDEX FOR AVAILABLE COLOUR RANGE
 2. REFER TO R26 AND R27 FOR STREET LIGHT WIRING / SYSTEM DESIGN.

[FOR LED LUMINAIRE]

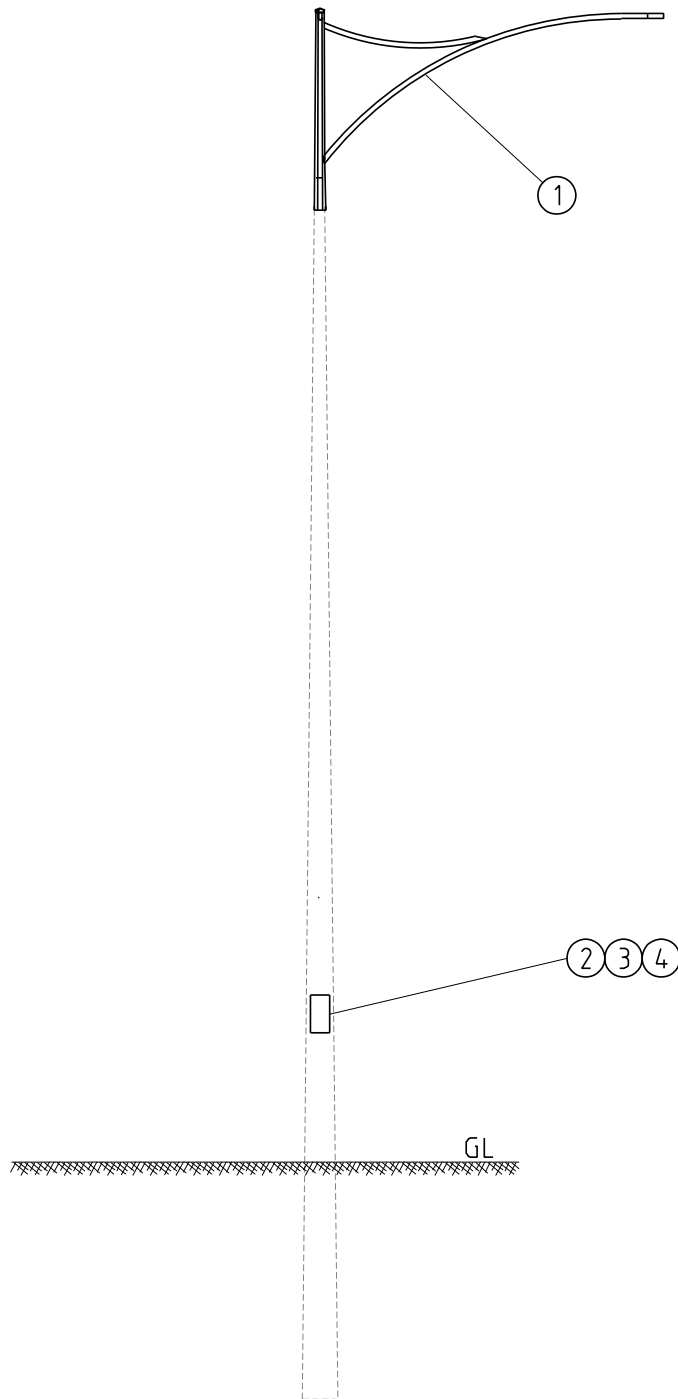
				COMPATIBLE UNIT			DISTRIBUTION DESIGN CATALOGUE		westernpower	
				TITLE			DRAWN: JRR		DATE: 31-03-2014 DRG. No.	
				3m STANDARD DOUBLE OUTREACH			ORIGINATED:		SCALE: NTS	
							CHECKED: REE		DM21-1	
							APPROVED:		REV. D	
							GRANT STACY		SHT.	
REV	DATE	DESCRIPTION	DRG.	CHKD.	APRD					
D	24.06.20	ITEM 4 (H20135) ADDED	CO	REE	GS					
C	07.09.18	REVISED TO SUIT LED LUMINAIRE	REE	CO	GS					
B	01.12.09	ORIGINAL ISSUE								

CU	CU Description
-----------	-----------------------

DM21_1 3m Standard Double Outreach					
ITEM NUMBER	STOCK CODE	DESCRIPTION	QTY REQD	UNIT OF MEASURE	REMARKS
1	CW0262	double outreach 3m, powder coated	1	ea	
2	GF1300	fuse cartridge 10 amp	2	ea	
3	HZ0131	SL fuse cut-out	1	ea	
4	HZ0135	Cut-out mounting bracket	1	ea	

DM21_1_EBY 3m Standard Double Outreach Ebony/Black					
ITEM NUMBER	STOCK CODE	DESCRIPTION	QTY REQD	UNIT OF MEASURE	REMARKS
1	CW0262	double outreach 3m, powder coated Ebony/Black	1	ea	
2	GF1300	fuse cartridge 10 amp	2	ea	
3	HZ0131	SL fuse cut-out	1	ea	
4	HZ0135	Cut-out mounting bracket	1	ea	

DM21_1_HGN 3m Standard Double Outreach Hawthorn Green					
ITEM NUMBER	STOCK CODE	DESCRIPTION	QTY REQD	UNIT OF MEASURE	REMARKS
1	CW0263	double outreach 3m, powder coated Hawthorn Green	1	ea	
2	GF1300	fuse cartridge 10 amp	2	ea	
3	HZ0131	SL fuse cut-out	1	ea	
4	HZ0135	Cut-out mounting bracket	1	ea	



NOTES:-
 1. REFER TO DM COLOUR INDEX FOR AVAILABLE COLOUR RANGE
 2. REFER TO R26 AND R27 FOR STREET LIGHT WIRING / SYSTEM DESIGN.

[FOR LED LUMINAIRE]

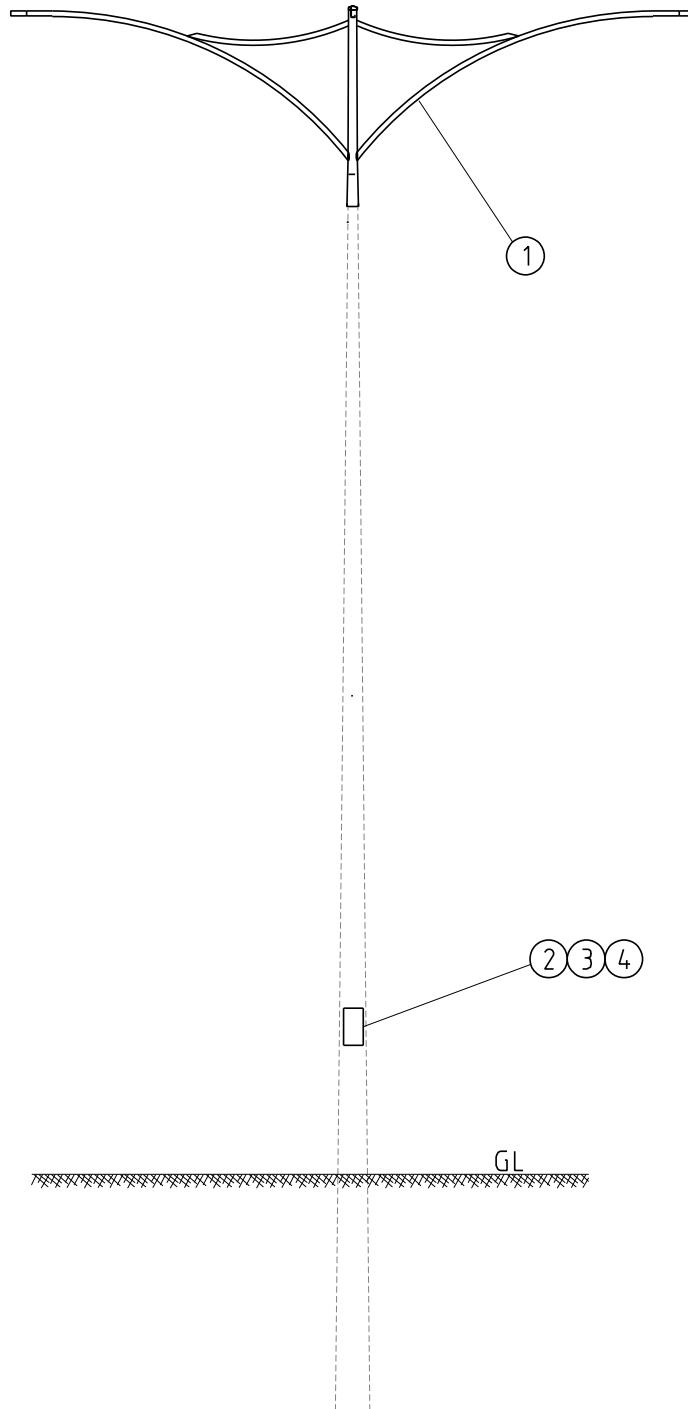
				COMPATIBLE UNIT			DISTRIBUTION DESIGN CATALOGUE		westernpower	
				TITLE			DRAWN: JRR DATE: 31-03-2014		DRG. No.	
				3m ETSA SINGLE OUTREACH			ORIGINATED: SCALE: NTS		DM22-1	
							CHECKED: REE		REV. D SHT.	
							APPROVED: GRANT STACY			
REV	DATE	DESCRIPTION	ORGD.	CHKD.	APRD.					
D	24.06.20	ITEM 4 (H20195) ADDED	CO	REE	GS					
C	07.09.18	REVISED TO SUITE LED LUMINAIRE	REE	CO	GS					
B	01.12.09	ORIGINAL ISSUE								

CU	CU Description
-----------	-----------------------

DM22_1 3m ETSA Single Outreach					
ITEM NUMBER	STOCK CODE	DESCRIPTION	QTY REQD	UNIT OF MEASURE	REMARKS
1	CW0774	single outreach 3m, powder coated ETSA	1	ea	
2	GF1300	fuse cartridge 10 amp	1	ea	
3	HZ0131	SL fuse cut-out	1	ea	
4	HZ0135	Cut-out mounting bracket	1	ea	

DM22_1_EBY 3m ETSA Single Outreach Ebony/Black					
ITEM NUMBER	STOCK CODE	DESCRIPTION	QTY REQD	UNIT OF MEASURE	REMARKS
1	CW0774	single outreach 3m, powder coated Ebony/Black	1	ea	
2	GF1300	fuse cartridge 10 amp	1	ea	
3	HZ0131	SL fuse cut-out	1	ea	
4	HZ0135	Cut-out mounting bracket	1	ea	

DM22_1_HGN 3m ETSA Single Outreach Hawthorn Green					
ITEM NUMBER	STOCK CODE	DESCRIPTION	QTY REQD	UNIT OF MEASURE	REMARKS
1	CW0775	single outreach 3m, powder coated Hawthorn Green	1	ea	
2	GF1300	fuse cartridge 10 amp	1	ea	
3	HZ0131	SL fuse cut-out	1	ea	
4	HZ0135	Cut-out mounting bracket	1	ea	



- NOTES:-
 1. REFER TO DM COLOUR INDEX FOR AVAILABLE COLOUR RANGE
 2. REFER TO R26 AND R27 FOR STREET LIGHT WIRING / SYSTEM DESIGN.

[FOR LED LUMINAIRE]

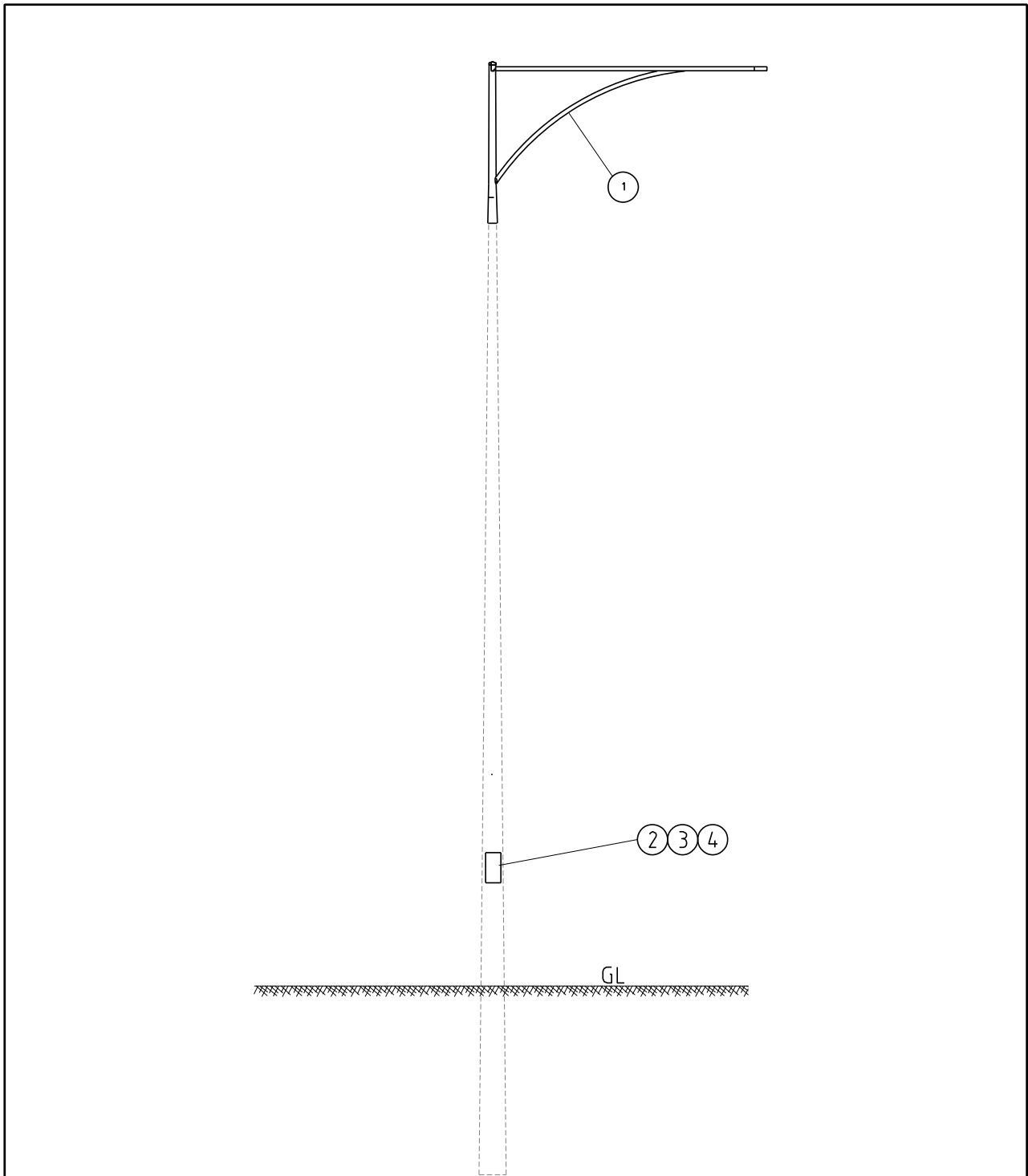
				COMPATIBLE UNIT			DISTRIBUTION DESIGN CATALOGUE		westernpower	
				TITLE			DRAWN: JRR		DATE: 31-03-2014	
				3m ETSA DOUBLE OUTREACH			ORIGINATED:		SCALE: NTS	
							CHECKED: REE		DRG. No. DM23-1	
							APPROVED: GRANT STACY		REV. D	
REV	DATE	DESCRIPTION	ORGD.	CHKD.	APRD.			SHT.		
D	24.06.20	ITEM 4 (HZ0135) ADDED	CO	REE	GS					
C	07.09.18	REVISED TO SUIT LED LUMINAIRE	REE	CO	GS					
B	01.12.09	ORIGINAL ISSUE								

CU	CU Description
-----------	-----------------------

DM23_1 3m ETSA Double Outreach					
ITEM NUMBER	STOCK CODE	DESCRIPTION	QTY REQD	UNIT OF MEASURE	REMARKS
1	CW0782	double outreach 3m, powder coated ETSA	1	ea	
2	GF1300	fuse cartridge 10 amp	2	ea	
3	HZ0131	SL fuse cut-out	1	ea	
4	HZ0135	Cut-out mounting bracket	1	ea	

DM23_1_EBY 3m ETSA Double Outreach Ebony/Black					
ITEM NUMBER	STOCK CODE	DESCRIPTION	QTY REQD	UNIT OF MEASURE	REMARKS
1	CW0782	double outreach 3m, powder coated Ebony/Black	1	ea	
2	GF1300	fuse cartridge 10 amp	2	ea	
3	HZ0131	SL fuse cut-out	1	ea	
4	HZ0135	Cut-out mounting bracket	1	ea	

DM23_1_HGN 3m ETSA Double Outreach Hawthorn Green					
ITEM NUMBER	STOCK CODE	DESCRIPTION	QTY REQD	UNIT OF MEASURE	REMARKS
1	CW0783	double outreach 3m, powder coated Hawthorn Green	1	ea	
2	GF1300	fuse cartridge 10 amp	2	ea	
3	HZ0131	SL fuse cut-out	1	ea	
4	HZ0135	Cut-out mounting bracket	1	ea	



NOTES:-
 1. REFER TO DM COLOUR INDEX FOR AVAILABLE COLOUR RANGE
 2. REFER TO R26 AND R27 FOR STREET LIGHT WIRING / SYSTEM DESIGN.

(FOR LED LUMINAIRE)

				COMPATIBLE UNIT			DISTRIBUTION DESIGN CATALOGUE		westernpower	
				TITLE			DRAWN: JRR		DATE: 31-03-2016	
				3m MEADOW SPRINGS SINGLE OUTREACH			ORIGINATED:		SCALE: NTS	
							CHECKED: REE		DRG. No.	
							APPROVED: GRANT STACY		DM24-1	
REV	DATE	DESCRIPTION	ORGO	CHKD	APRD			REV	SHT.	
D	24.06.20	ITEM 4 (HZ0135) ADDED		CO	REE	GS				
C	07.09.18	REVISED TO SUIT LED LUMINAIRE		REE	CO	GS				
B	01.12.09	ORIGINAL ISSUE								

CU	CU Description
----	----------------

DM24_1_EBY 3m Meadow Springs Single Outreach Ebony/Black					
ITEM NUMBER	STOCK CODE	DESCRIPTION	QTY REQD	UNIT OF MEASURE	REMARKS
1	CW0209	single outreach 3m, powder coated Meadow Springs ebony/black	1	ea	
2	GF1300	fuse cartridge 10 amp	1	ea	
3	HZ0131	SL fuse cut-out	1	ea	
4	HZ0135	Cut-out mounting bracket	1	ea	

DM24_1_OWT 3m Meadow Springs Single Outreach Off White/Surf Mist					
ITEM NUMBER	STOCK CODE	DESCRIPTION	QTY REQD	UNIT OF MEASURE	REMARKS
1	CW0210	single outreach 3m, powder coated Meadow Springs off white/surf mist	1	ea	
2	GF1300	fuse cartridge 10 amp	1	ea	
3	HZ0131	SL fuse cut-out	1	ea	
4	HZ0135	Cut-out mounting bracket	1	ea	

DM24_1_GGY 3m Meadow Springs Single Outreach Gull grey					
ITEM NUMBER	STOCK CODE	DESCRIPTION	QTY REQD	UNIT OF MEASURE	REMARKS
1	CW0211	single outreach 3m, powder coated Meadow Springs gull grey	1	ea	
2	GF1300	fuse cartridge 10 amp	1	ea	
3	HZ0131	SL fuse cut-out	1	ea	
4	HZ0135	Cut-out mounting bracket	1	ea	

DM24_1_SGY 3m Meadow Springs Single Outreach Slate Grey					
ITEM NUMBER	STOCK CODE	DESCRIPTION	QTY REQD	UNIT OF MEASURE	REMARKS
1	CW0212	single outreach 3m, powder coated Meadow Springs slate grey	1	ea	
2	GF1300	fuse cartridge 10 amp	1	ea	
3	HZ0131	SL fuse cut-out	1	ea	
4	HZ0135	Cut-out mounting bracket	1	ea	

DM24_1_HRD 3m Meadow Springs Single Outreach Heritage Red					
ITEM NUMBER	STOCK CODE	DESCRIPTION	QTY REQD	UNIT OF MEASURE	REMARKS
1	CW0213	single outreach 3m, powder coated Meadow Springs Heritage Red	1	ea	
2	GF1300	fuse cartridge 10 amp	1	ea	
3	HZ0131	SL fuse cut-out	1	ea	
4	HZ0135	Cut-out mounting bracket	1	ea	

CU	CU Description
-----------	-----------------------

DM24_1_HGN 3m Meadow Springs Single Outreach Hawthorn Green					
ITEM NUMBER	STOCK CODE	DESCRIPTION	QTY REQD	UNIT OF MEASURE	REMARKS
1	CW0214	single outreach 3m, powder coated Meadow Springs Hawthorn Green	1	ea	
2	GF1300	fuse cartridge 10 amp	1	ea	
3	HZ0131	SL fuse cut-out	1	ea	
4	HZ0135	Cut-out mounting bracket	1	ea	

DM24_1_MBL 3m Meadow Springs Single Outreach Mountain Blue					
ITEM NUMBER	STOCK CODE	DESCRIPTION	QTY REQD	UNIT OF MEASURE	REMARKS
1	CW0215	single outreach 3m, powder coated Meadow Springs Mountain Blue	1	ea	
2	GF1300	fuse cartridge 10 amp	1	ea	
3	HZ0131	SL fuse cut-out	1	ea	
4	HZ0135	Cut-out mounting bracket	1	ea	

DM24_1_CGN 3m Meadow Springs Single Outreach Caulfield Green					
ITEM NUMBER	STOCK CODE	DESCRIPTION	QTY REQD	UNIT OF MEASURE	REMARKS
1	CW0216	single outreach 3m, powder coated Meadow Springs caulfield green	1	ea	
2	GF1300	fuse cartridge 10 amp	1	ea	
3	HZ0131	SL fuse cut-out	1	ea	
4	HZ0135	Cut-out mounting bracket	1	ea	

DM24_1_SBL 3m Meadow Springs Single Outreach Space Blue					
ITEM NUMBER	STOCK CODE	DESCRIPTION	QTY REQD	UNIT OF MEASURE	REMARKS
1	CW0217	single outreach 3m, powder coated Meadow Springs space blue	1	ea	
2	GF1300	fuse cartridge 10 amp	1	ea	
3	HZ0131	SL fuse cut-out	1	ea	
4	HZ0135	Cut-out mounting bracket	1	ea	

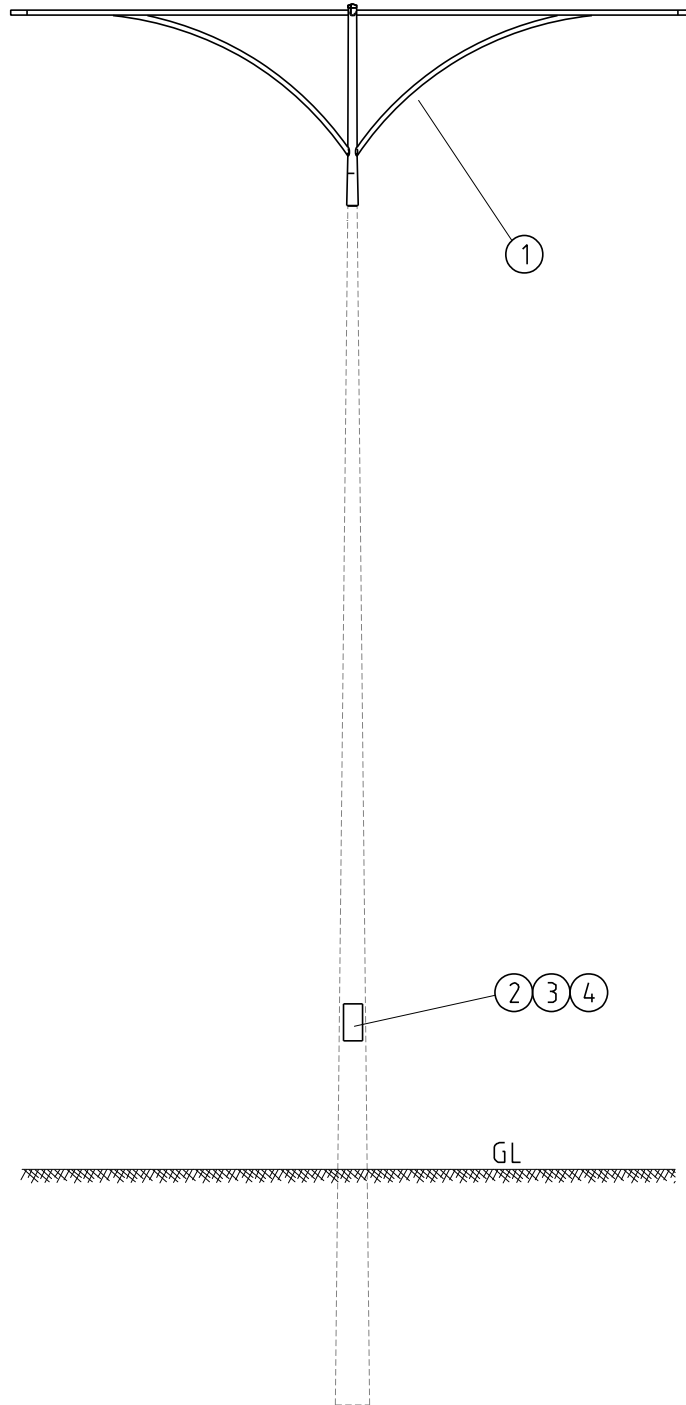
CU	CU Description
-----------	-----------------------

DM24_1_MER 3m Meadow Springs Single Outreach Merino					
ITEM NUMBER	STOCK CODE	DESCRIPTION	QTY REQD	UNIT OF MEASURE	REMARKS
1	CW0758	single outreach 3m, powder coated Meadow Springs Merino	1	ea	
2	GF1300	fuse cartridge 10 amp	1	ea	
3	HZ0131	SL fuse cut-out	1	ea	
4	HZ0135	Cut-out mounting bracket	1	ea	

DM24_1_MGN 3m Meadow Springs Single Outreach Mist Green					
ITEM NUMBER	STOCK CODE	DESCRIPTION	QTY REQD	UNIT OF MEASURE	REMARKS
1	CW0758	single outreach 3m, powder coated Meadow Springs mist green	1	ea	
2	GF1300	fuse cartridge 10 amp	1	ea	
3	HZ0131	SL fuse cut-out	1	ea	
4	HZ0135	Cut-out mounting bracket	1	ea	

DM24_1_TEL 3m Meadow Springs Single Outreach Teal					
ITEM NUMBER	STOCK CODE	DESCRIPTION	QTY REQD	UNIT OF MEASURE	REMARKS
1	CW0758	single outreach 3m, powder coated Meadow Springs Teal	1	ea	
2	GF1300	fuse cartridge 10 amp	1	ea	
3	HZ0131	SL fuse cut-out	1	ea	
4	HZ0135	Cut-out mounting bracket	1	ea	

DM24_1_TRD 3m Meadow Springs Single Outreach Tuscan Red					
ITEM NUMBER	STOCK CODE	DESCRIPTION	QTY REQD	UNIT OF MEASURE	REMARKS
1	CW0758	single outreach 3m, powder coated Meadow Springs Tuscan Red	1	ea	
2	GF1300	fuse cartridge 10 amp	1	ea	
3	HZ0131	SL fuse cut-out	1	ea	
4	HZ0135	Cut-out mounting bracket	1	ea	



NOTES:-
 1. REFER TO DM COLOUR INDEX FOR AVAILABLE COLOUR RANGE
 2. REFER TO R26 AND R27 FOR STREET LIGHT WIRING / SYSTEM DESIGN.

[FOR LED LUMINAIRE]

				COMPATIBLE UNIT			DISTRIBUTION DESIGN CATALOGUE		westernpower	
				TITLE			DRAWN: JRR		DATE: 31-03-2014	
				3m MEADOW SPRINGS DOUBLE OUTREACH			ORIGINATED: REE		SCALE: NTS	
							CHECKED: REE		ORG. No. DM25-1	
							APPROVED: GRANT STACY		REV. D	
REV	DATE	DESCRIPTION	ORGO.	CHKD.	APRD.			SHT.		
D	24.06.20	ITEM 4 (H20135) ADDED	CO	REE	GS					
C	07.09.18	REVISED TO SUIT LED LUMINAIRE	REE	CO	GS					
B	01.12.09	ORIGINAL ISSUE								

CU	CU Description
-----------	-----------------------

DM25_1_EBY 3m Meadow Springs Double Outreach Ebony/Black					
ITEM NUMBER	STOCK CODE	DESCRIPTION	QTY REQD	UNIT OF MEASURE	REMARKS
1	CW0219	double outreach 3m, powder coated Meadow Springs ebony/black	1	ea	
2	GF1300	fuse cartridge 10 amp	2	ea	
3	HZ0131	SL fuse cut-out	1	ea	
4	HZ0135	Cut-out mounting bracket	1	ea	

DM25_1_OWT 3m Meadow Springs Double Outreach Off White/Surf Mist					
ITEM NUMBER	STOCK CODE	DESCRIPTION	QTY REQD	UNIT OF MEASURE	REMARKS
1	CW0220	double outreach 3m, powder coated Meadow Springs off white/surf mist	1	ea	
2	GF1300	fuse cartridge 10 amp	2	ea	
3	HZ0131	SL fuse cut-out	1	ea	
4	HZ0135	Cut-out mounting bracket	1	ea	

DM25_1_GGY 3m Meadow Springs Double Outreach Gull grey					
ITEM NUMBER	STOCK CODE	DESCRIPTION	QTY REQD	UNIT OF MEASURE	REMARKS
1	CW0221	double outreach 3m, powder coated Meadow Springs gull grey	1	ea	
2	GF1300	fuse cartridge 10 amp	2	ea	
3	HZ0131	SL fuse cut-out	1	ea	
4	HZ0135	Cut-out mounting bracket	1	ea	

DM25_1_SGY 3m Meadow Springs Double Outreach Slate Grey					
ITEM NUMBER	STOCK CODE	DESCRIPTION	QTY REQD	UNIT OF MEASURE	REMARKS
1	CW0222	double outreach 3m, powder coated Meadow Springs slate grey	1	ea	
2	GF1300	fuse cartridge 10 amp	2	ea	
3	HZ0131	SL fuse cut-out	1	ea	
4	HZ0135	Cut-out mounting bracket	1	ea	

DM25_1_HRD 3m Meadow Springs Double Outreach Heritage Red					
ITEM NUMBER	STOCK CODE	DESCRIPTION	QTY REQD	UNIT OF MEASURE	REMARKS
1	CW0223	double outreach 3m, powder coated Meadow Springs Heritage Red	1	ea	
2	GF1300	fuse cartridge 10 amp	2	ea	
3	HZ0131	SL fuse cut-out	1	ea	
4	HZ0135	Cut-out mounting bracket	1	ea	

CU	CU Description
-----------	-----------------------

DM25_1_HGN 3m Meadow Springs Double Outreach Hawthorn Green					
ITEM NUMBER	STOCK CODE	DESCRIPTION	QTY REQD	UNIT OF MEASURE	REMARKS
1	CW0224	double outreach 3m, powder coated Meadow Springs Hawthorn Green	1	ea	
2	GF1300	fuse cartridge 10 amp	2	ea	
3	HZ0131	SL fuse cut-out	1	ea	
4	HZ0135	Cut-out mounting bracket	1	ea	

DM25_1_MBL 3m Meadow Springs Double Outreach Mountain Blue					
ITEM NUMBER	STOCK CODE	DESCRIPTION	QTY REQD	UNIT OF MEASURE	REMARKS
1	CW0225	double outreach 3m, powder coated Meadow Springs Mountain Blue	1	ea	
2	GF1300	fuse cartridge 10 amp	2	ea	
3	HZ0131	SL fuse cut-out	1	ea	
4	HZ0135	Cut-out mounting bracket	1	ea	

DM25_1_CGN 3m Meadow Springs Double Outreach Caulfield Green					
ITEM NUMBER	STOCK CODE	DESCRIPTION	QTY REQD	UNIT OF MEASURE	REMARKS
1	CW0226	double outreach 3m, powder coated Meadow Springs caulfield green	1	ea	
2	GF1300	fuse cartridge 10 amp	2	ea	
3	HZ0131	SL fuse cut-out	1	ea	
4	HZ0135	Cut-out mounting bracket	1	ea	

DM25_1_SBL 3m Meadow Springs Double Outreach Space Blue					
ITEM NUMBER	STOCK CODE	DESCRIPTION	QTY REQD	UNIT OF MEASURE	REMARKS
1	CW0227	double outreach 3m, powder coated Meadow Springs space blue	1	ea	
2	GF1300	fuse cartridge 10 amp	2	ea	
3	HZ0131	SL fuse cut-out	1	ea	
4	HZ0135	Cut-out mounting bracket	1	ea	

DM25_1_AGY 3m Meadow Springs Double Outreach Armour Grey					
ITEM NUMBER	STOCK CODE	DESCRIPTION	QTY REQD	UNIT OF MEASURE	REMARKS
1	CW0766	double outreach 3m, powder coated Meadow Springs Armour Grey	1	ea	
2	GF1300	fuse cartridge 10 amp	2	ea	
3	HZ0131	SL fuse cut-out	1	ea	
4	HZ0135	Cut-out mounting bracket	1	ea	

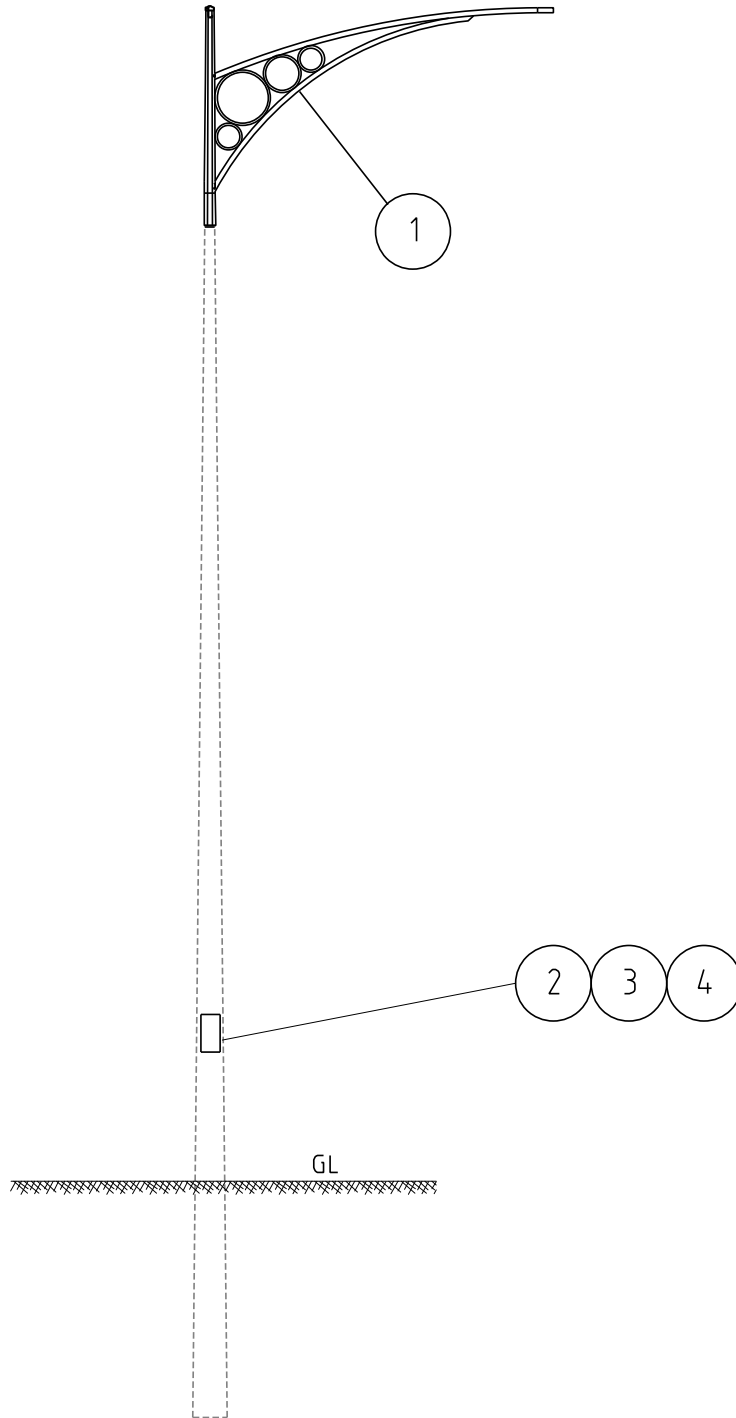
CU	CU Description
-----------	-----------------------

DM25_1_MER 3m Meadow Springs Double Outreach Merino					
ITEM NUMBER	STOCK CODE	DESCRIPTION	QTY REQD	UNIT OF MEASURE	REMARKS
1	CW0766	double outreach 3m, powder coated Meadow Springs Merino	1	ea	
2	GF1300	fuse cartridge 10 amp	2	ea	
3	HZ0131	SL fuse cut-out	1	ea	
4	HZ0135	Cut-out mounting bracket	1	ea	

DM25_1_MGN 3m Meadow Springs Double Outreach Mist Green					
ITEM NUMBER	STOCK CODE	DESCRIPTION	QTY REQD	UNIT OF MEASURE	REMARKS
1	CW0766	double outreach 3m, powder coated Meadow Springs mist green	1	ea	
2	GF1300	fuse cartridge 10 amp	2	ea	
3	HZ0131	SL fuse cut-out	1	ea	
4	HZ0135	Cut-out mounting bracket	1	ea	

DM25_1_TEL 3m Meadow Springs Double Outreach Teal					
ITEM NUMBER	STOCK CODE	DESCRIPTION	QTY REQD	UNIT OF MEASURE	REMARKS
1	CW0766	double outreach 3m, powder coated Meadow Springs Teal	1	ea	
2	GF1300	fuse cartridge 10 amp	2	ea	
3	HZ0131	SL fuse cut-out	1	ea	
4	HZ0135	Cut-out mounting bracket	1	ea	

DM25_1_TRD 3m Meadow Springs Double Outreach Tuscan Red					
ITEM NUMBER	STOCK CODE	DESCRIPTION	QTY REQD	UNIT OF MEASURE	REMARKS
1	CW0766	double outreach 3m, powder coated Meadow Springs Tuscan Red	1	ea	
2	GF1300	fuse cartridge 10 amp	2	ea	
3	HZ0131	SL fuse cut-out	1	ea	
4	HZ0135	Cut-out mounting bracket	1	ea	



NOTES:-
 1. REFER TO DM COLOUR INDEX FOR AVAILABLE COLOUR RANGE
 2. REFER TO R26 AND R27 FOR STREET LIGHT WIRING / SYSTEM DESIGN.

[FOR LED LUMINAIRE]

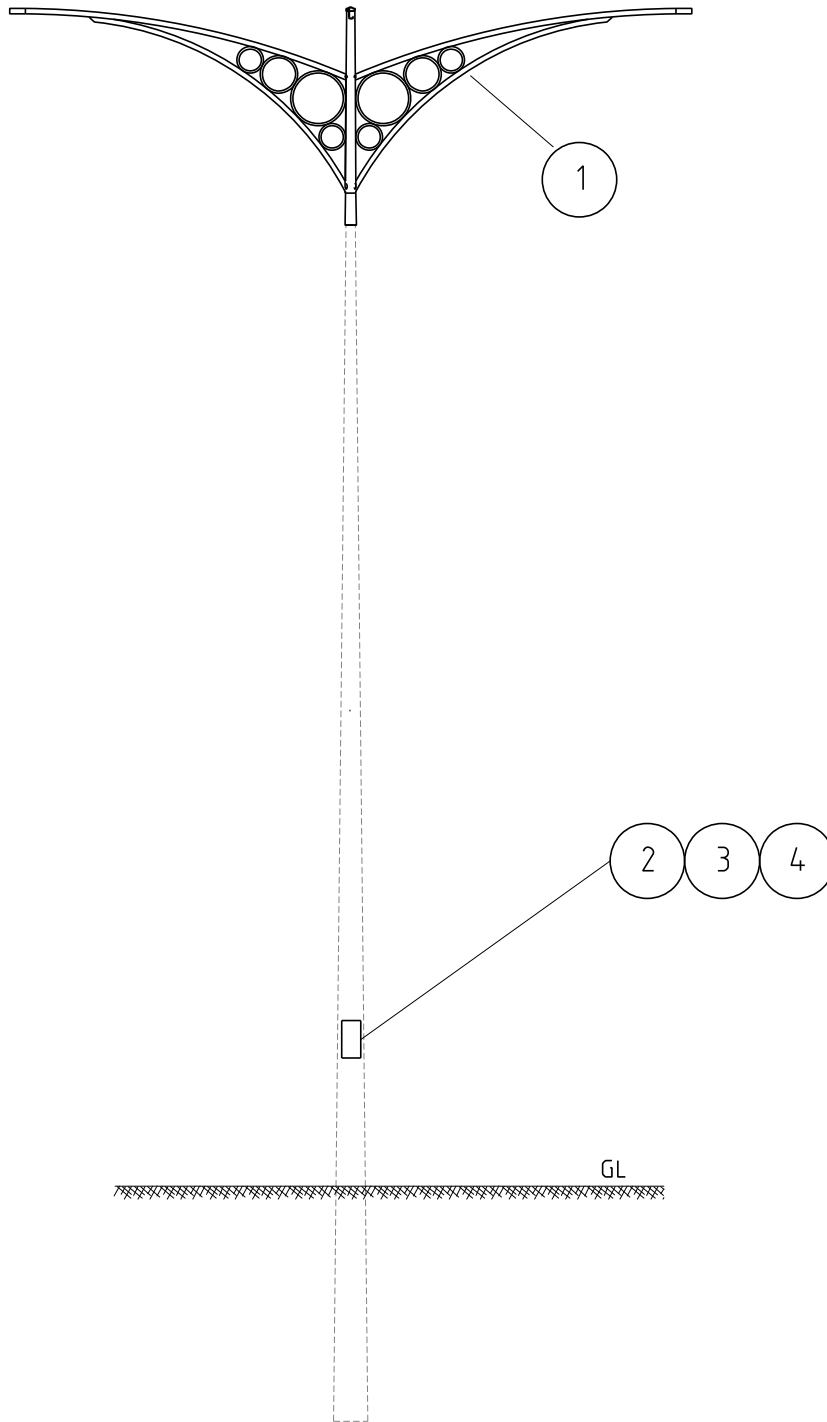
				COMPATIBLE UNIT				DISTRIBUTION DESIGN CATALOGUE		westernpower	
				TITLE				DRAWN: JRR DATE: 31-03-2014		DRG. No.	
				3m ROCKY SINGLE OUTREACH				ORIGINATED: SCALE: NTS		DM26-1	
								CHECKED: REE		REV. D	
								APPROVED: GRANT STACY		SHT.	
REV	DATE	DESCRIPTION	DRG.	CHKD.	APRD.						
D	24.06.20	ITEM 4 (HZ0135) ADDED	CO	REE	GS						
C	07.09.18	REVISED TO SUIT LED LUMINAIRE	REE	CO	GS						
B	01.12.09	ORIGINAL ISSUE									

CU	CU Description
-----------	-----------------------

DM26_1 3m Rocky Single outreach					
ITEM NUMBER	STOCK CODE	DESCRIPTION	QTY REQD	UNIT OF MEASURE	REMARKS
1	CW0790	single outreach 3m, powder coated Rocky	1	ea	
2	GF1300	fuse cartridge 10 amp	1	ea	
3	HZ0131	SL fuse cut-out	1	ea	
4	HZ0135	Cut-out mounting bracket	1	ea	

DM26_1_EBY 3m Rocky Single outreach Ebony/Black					
ITEM NUMBER	STOCK CODE	DESCRIPTION	QTY REQD	UNIT OF MEASURE	REMARKS
1	CW0790	single outreach 3m, powder coated Ebony/Black	1	ea	
2	GF1300	fuse cartridge 10 amp	1	ea	
3	HZ0131	SL fuse cut-out	1	ea	
4	HZ0135	Cut-out mounting bracket	1	ea	

DM26_1_HGN 3m Rocky Single outreach Hawthorn Green					
ITEM NUMBER	STOCK CODE	DESCRIPTION	QTY REQD	UNIT OF MEASURE	REMARKS
1	CW0791	single outreach 3m, powder coated Hawthorn Green	1	ea	
2	GF1300	fuse cartridge 10 amp	1	ea	
3	HZ0131	SL fuse cut-out	1	ea	
4	HZ0135	Cut-out mounting bracket	1	ea	



NOTES:-
 1. REFER TO DM COLOUR INDEX FOR AVAILABLE COLOUR RANGE
 2. REFER TO R26 AND R27 FOR STREET LIGHT WIRING / SYSTEM DESIGN.

[FOR LED LUMINAIRE]

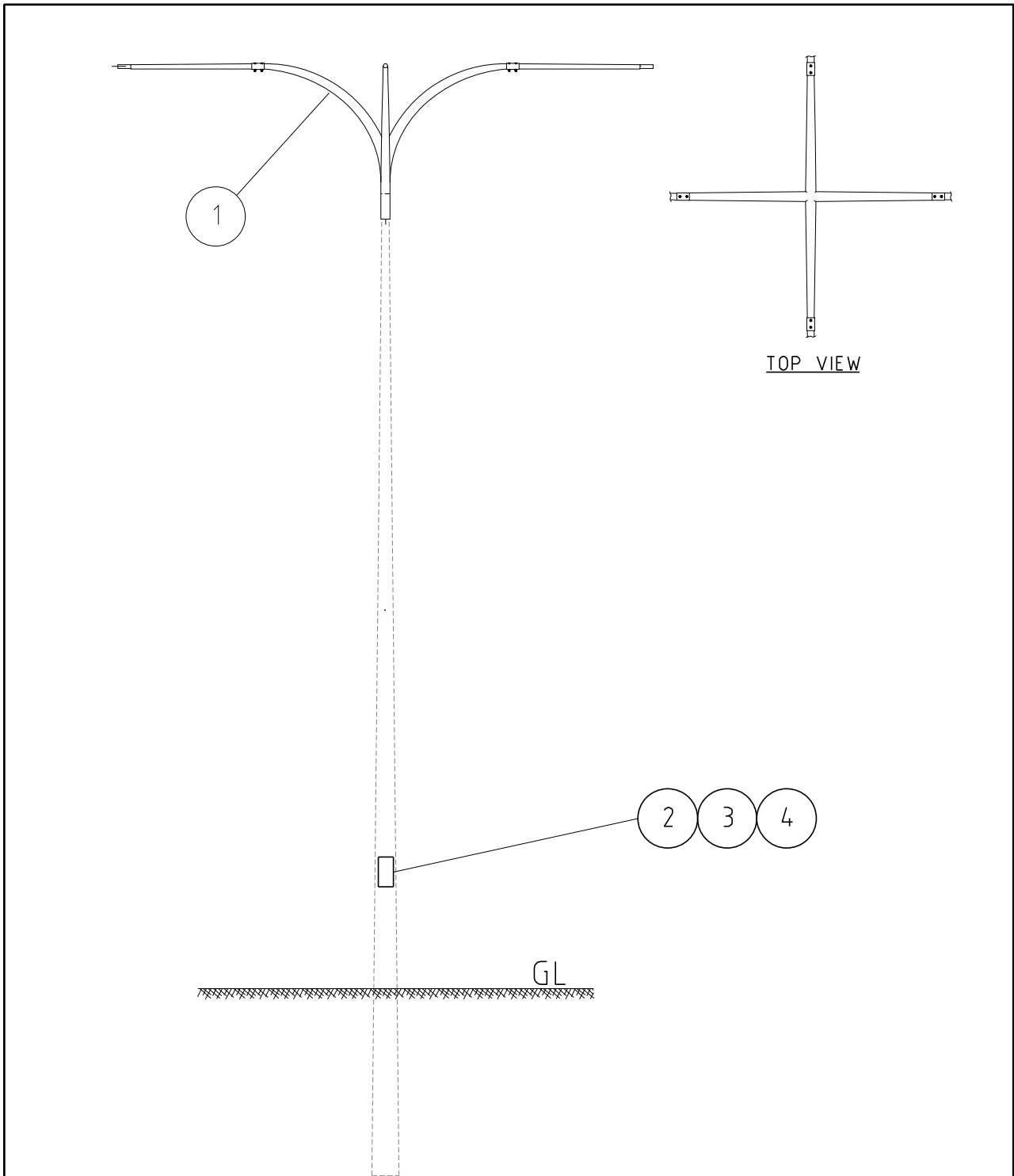
				COMPATIBLE UNIT			DISTRIBUTION DESIGN CATALOGUE		westernpower	
				TITLE			DRAWN: JRR		DATE: 31-03-2014	
				3m ROCKY DOUBLE OUTREACH			ORIGINATED:		SCALE: NTS	
							CHECKED: REE		DM27-1	
							APPROVED: GRANT STACY		REV. 0	
REV	DATE	DESCRIPTION	ORGD.	CHKD.	APRD.			REV.	ISHT.	
D	24.06.20	ITEM 4 (HZ0135) ADDED	CO	REE	GS					
C	07.09.18	REVISED TO SUIT LED LUMINAIRE	REE	CO	GS					
B	01.12.09	ORIGINAL ISSUE								

CU	CU Description
-----------	-----------------------

DM27_1 3m Rocky Double Outreach					
ITEM NUMBER	STOCK CODE	DESCRIPTION	QTY REQD	UNIT OF MEASURE	REMARKS
1	CW0798	double outreach 3m, powder coated Rocky	1	ea	
2	GF1300	fuse cartridge 10 amp	2	ea	
3	HZ0131	SL fuse cut-out	1	ea	
4	HZ0135	Cut-out mounting bracket	1	ea	

DM27_1_EBY 3m Rocky Double Outreach Ebony/Black					
ITEM NUMBER	STOCK CODE	DESCRIPTION	QTY REQD	UNIT OF MEASURE	REMARKS
1	CW0798	double outreach 3m, powder coated Ebony/Black	1	ea	
2	GF1300	fuse cartridge 10 amp	2	ea	
3	HZ0131	SL fuse cut-out	1	ea	
4	HZ0135	Cut-out mounting bracket	1	ea	

DM27_1_HGN 3m Rocky Double Outreach Hawthorn Green					
ITEM NUMBER	STOCK CODE	DESCRIPTION	QTY REQD	UNIT OF MEASURE	REMARKS
1	CW0799	double outreach 3m, powder coated Hawthorn Green	1	ea	
2	GF1300	fuse cartridge 10 amp	2	ea	
3	HZ0131	SL fuse cut-out	1	ea	
4	HZ0135	Cut-out mounting bracket	1	ea	



NOTES:-

- 1. REFER TO DM COLOUR INDEX FOR AVAILABLE COLOUR RANGE
- 2. REFER TO R26 AND R27 FOR STREET LIGHT WIRING / SYSTEM DESIGN.

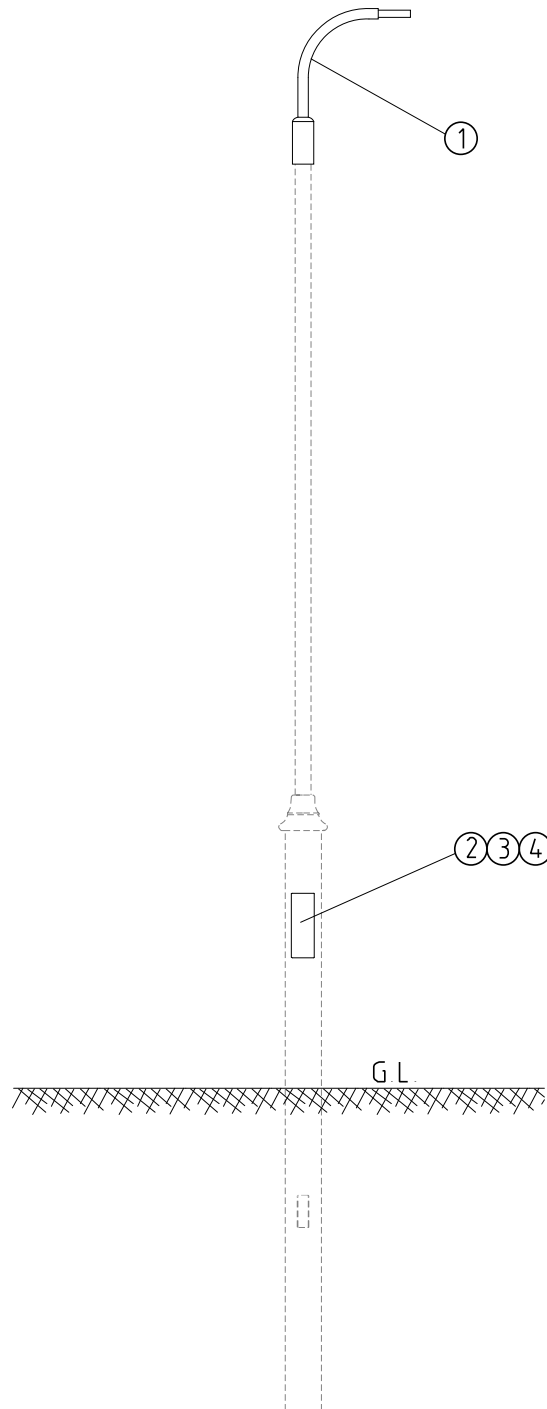
[FOR LED LUMINAIRE]

				COMPATIBLE UNIT			DISTRIBUTION DESIGN CATALOGUE		westernpower	
				TITLE			DRAWN: JRR		DATE: 31-03-2016	
				3m MEADOW SPRINGS			ORIGINATED:		SCALE: NTS	
				3m 4 WAY STANDARD OUTREACH			CHECKED: REE		DRG. No.	
							APPROVED: GRANT STACY		DM28-1	
REV	DATE	DESCRIPTION	DRG	CHKD	APRD			REV	SHT.	

CU	CU Description
-----------	-----------------------

DM28_1 3m Four Way Outreach					
ITEM NUMBER	STOCK CODE	DESCRIPTION	QTY REQD	UNIT OF MEASURE	REMARKS
1	CW1320	4-way outreach 3m, powder coated	1	ea	
2	GF2104	fuse cartridge 16 amp	2	ea	
3	HZ0131	SL fuse cut-out	1	ea	
4	HZ0135	Cut-out mounting bracket	1	ea	

14 CUs COLOUR DEPENDENT



NOTES:-

1. REFER TO DM COLOUR INDEX FOR AVAILABLE COLOUR RANGE
2. REFER TO R26 AND R27 FOR STREET LIGHT WIRING / SYSTEM DESIGN.

[FOR LED LUMINAIRE]

				COMPATIBLE UNIT			DISTRIBUTION DESIGN CATALOGUE			
				TITLE			DRAWN: JRR		DATE: 01-06-2016	
				AVENUE OUTREACH			ORIGINATED:		SCALE: NTS	
							CHECKED: REE		DRG. No.	
							APPROVED: GRANT STACY		DM29-1	
REV	DATE	DESCRIPTION	ORGD.	CHKD.	APRD.			REV.	SHT.	
D	07.09.18	ITEM 4 (HZ0135) ADDED	CO	REE	GS			D		
C	01.12.09	REVISED TO SUIT LED LUMINAIRE	REE	CO	GS					
B		ORIGINAL ISSUE								

CU	CU Description
----	----------------

DM29_1_EBY Avenue Outreach Ebony/Black					
ITEM NUMBER	STOCK CODE	DESCRIPTION	QTY REQD	UNIT OF MEASURE	REMARKS
1	CW1333	single outreach, powder coated Avenue ebony/black	1	ea	
2	GF1300	fuse cartridge 10 amp	1	ea	
3	HZ0131	SL fuse cut-out	1	ea	
4	HZ0135	Cut-out mounting bracket	1	ea	

DM29_1_OWT Avenue Outreach Off White/Surf Mist					
ITEM NUMBER	STOCK CODE	DESCRIPTION	QTY REQD	UNIT OF MEASURE	REMARKS
1	CW1334	single outreach, powder coated Avenue off white/surf mist	1	ea	
2	GF1300	fuse cartridge 10 amp	1	ea	
3	HZ0131	SL fuse cut-out	1	ea	
4	HZ0135	Cut-out mounting bracket	1	ea	

DM29_1_GGY Avenue Outreach Gull grey					
ITEM NUMBER	STOCK CODE	DESCRIPTION	QTY REQD	UNIT OF MEASURE	REMARKS
1	CW1335	single outreach, powder coated Avenue gull grey	1	ea	
2	GF1300	fuse cartridge 10 amp	1	ea	
3	HZ0131	SL fuse cut-out	1	ea	
4	HZ0135	Cut-out mounting bracket	1	ea	

DM29_1_SGY Avenue Outreach Slate Grey					
ITEM NUMBER	STOCK CODE	DESCRIPTION	QTY REQD	UNIT OF MEASURE	REMARKS
1	CW1336	single outreach, powder coated Avenue slate grey	1	ea	
2	GF1300	fuse cartridge 10 amp	1	ea	
3	HZ0131	SL fuse cut-out	1	ea	
4	HZ0135	Cut-out mounting bracket	1	ea	

DM29_1_HRD Avenue Outreach Heritage Red					
ITEM NUMBER	STOCK CODE	DESCRIPTION	QTY REQD	UNIT OF MEASURE	REMARKS
1	CW1337	single outreach, powder coated Avenue Heritage Red	1	ea	
2	GF1300	fuse cartridge 10 amp	1	ea	
3	HZ0131	SL fuse cut-out	1	ea	
4	HZ0135	Cut-out mounting bracket	1	ea	

CU	CU Description
-----------	-----------------------

DM29_1_HGN Avenue Outreach Hawthorn Green					
ITEM NUMBER	STOCK CODE	DESCRIPTION	QTY REQD	UNIT OF MEASURE	REMARKS
1	CW1338	single outreach, powder coated Avenue Hawthorn Gren	1	ea	
2	GF1300	fuse cartridge 10 amp	1	ea	
3	HZ0131	SL fuse cut-out	1	ea	
4	HZ0135	Cut-out mounting bracket	1	ea	

DM29_1_MBL Avenue Outreach Mountain Blue					
ITEM NUMBER	STOCK CODE	DESCRIPTION	QTY REQD	UNIT OF MEASURE	REMARKS
1	CW1339	single outreach, powder coated Avenue Mountain Blue	1	ea	
2	GF1300	fuse cartridge 10 amp	1	ea	
3	HZ0131	SL fuse cut-out	1	ea	
4	HZ0135	Cut-out mounting bracket	1	ea	

DM29_1_CGN Avenue Outreach Caulfield Green					
ITEM NUMBER	STOCK CODE	DESCRIPTION	QTY REQD	UNIT OF MEASURE	REMARKS
1	CW1340	single outreach, powder coated Avenue caulfield green	1	ea	
2	GF1300	fuse cartridge 10 amp	1	ea	
3	HZ0131	SL fuse cut-out	1	ea	
4	HZ0135	Cut-out mounting bracket	1	ea	

DM29_1_SBL Avenue Outreach Space Blue					
ITEM NUMBER	STOCK CODE	DESCRIPTION	QTY REQD	UNIT OF MEASURE	REMARKS
1	CW1341	single outreach, powder coated Avenue space blue	1	ea	
2	GF1300	fuse cartridge 10 amp	1	ea	
3	HZ0131	SL fuse cut-out	1	ea	
4	HZ0135	Cut-out mounting bracket	1	ea	

DM29_1_AGY Avenue Outreach Armour Grey					
ITEM NUMBER	STOCK CODE	DESCRIPTION	QTY REQD	UNIT OF MEASURE	REMARKS
1	CW1326	single outreach, powder coated Avenue Armour Grey	1	ea	
2	GF1300	fuse cartridge 10 amp	1	ea	
3	HZ0131	SL fuse cut-out	1	ea	
4	HZ0135	Cut-out mounting bracket	1	ea	

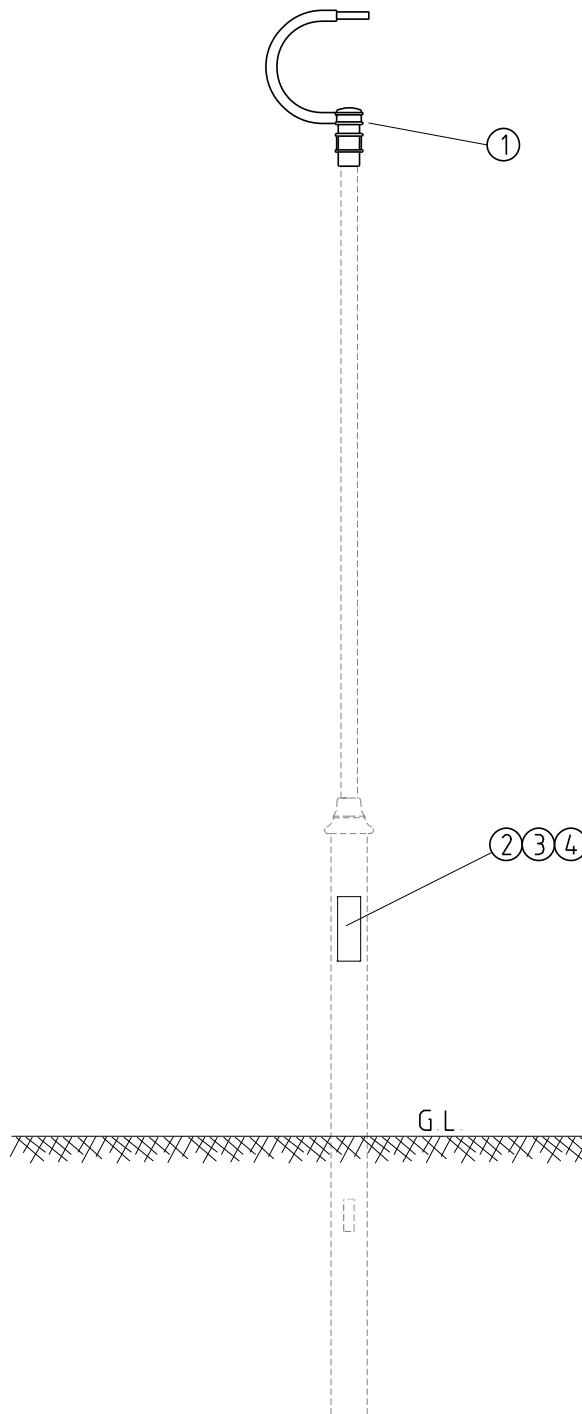
CU	CU Description
-----------	-----------------------

DM29_1_MER Avenue Outreach Merino					
ITEM NUMBER	STOCK CODE	DESCRIPTION	QTY REQD	UNIT OF MEASURE	REMARKS
1	CW1326	single outreach, powder coated Avenue Merino	1	ea	
2	GF1300	fuse cartridge 10 amp	1	ea	
3	HZ0131	SL fuse cut-out	1	ea	
4	HZ0135	Cut-out mounting bracket	1	ea	

DM29_1_MGN Avenue Outreach Mist Green					
ITEM NUMBER	STOCK CODE	DESCRIPTION	QTY REQD	UNIT OF MEASURE	REMARKS
1	CW1326	single outreach, powder coated Avenue mist green	1	ea	
2	GF1300	fuse cartridge 10 amp	1	ea	
3	HZ0131	SL fuse cut-out	1	ea	
4	HZ0135	Cut-out mounting bracket	1	ea	

DM29_1_TEL Avenue Outreach Teal					
ITEM NUMBER	STOCK CODE	DESCRIPTION	QTY REQD	UNIT OF MEASURE	REMARKS
1	CW1326	single outreach, powder coated Avenue Teal	1	ea	
2	GF1300	fuse cartridge 10 amp	1	ea	
3	HZ0131	SL fuse cut-out	1	ea	
4	HZ0135	Cut-out mounting bracket	1	ea	

DM29_1_TRD Avenue Outreach Tuscan Red					
ITEM NUMBER	STOCK CODE	DESCRIPTION	QTY REQD	UNIT OF MEASURE	REMARKS
1	CW1326	single outreach, powder coated Avenue Tuscan Red	1	ea	
2	GF1300	fuse cartridge 10 amp	1	ea	
3	HZ0131	SL fuse cut-out	1	ea	
4	HZ0135	Cut-out mounting bracket	1	ea	



NOTES:-

1. REFER TO DM COLOUR INDEX FOR AVAILABLE COLOUR RANGE
2. REFER TO R26 AND R27 FOR STREET LIGHT WIRING / SYSTEM DESIGN.

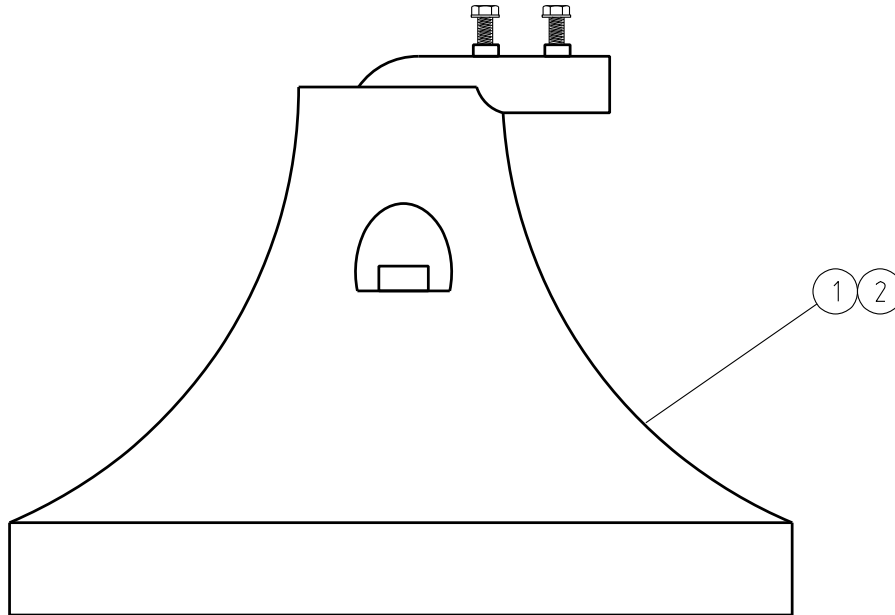
[FOR LED LUMINAIRE]

			COMPATIBLE UNIT			DISTRIBUTION DESIGN CATALOGUE		westernpower	
			TITLE			DRAWN: JRR DATE: 31-03-2014 DRG. No.		DM30-1	
			NOSTALGIA OUTREACH			ORIGINATED: SCALE: NTS			
						CHECKED: REE		REV. C	
						APPROVED: GRANT STACY		SHT.	
REV	DATE	DESCRIPTION	ORGD.	CHKD.	APRD.				
C	24.06.20	ITEM 4 (HZ0135) ADDED	CO	REE	GS				
B	07.09.18	REVISED TO SUIT LED LUMINAIRE	REE	CO	GS				
A	01.12.09	ORIGINAL ISSUE							

CU	CU Description
-----------	-----------------------

DM30_1 Nostalgia Outreach					
ITEM NUMBER	STOCK CODE	DESCRIPTION	QTY REQD	UNIT OF MEASURE	REMARKS
1	CW1325	single outreach, powder coated Nostalgia	1	ea	
2	GF1300	fuse cartridge 10 amp	1	ea	
3	HZ0131	SL fuse cut-out	1	ea	
4	HZ0135	Cut-out mounting bracket	1	ea	

14 CUs COLOUR DEPENDENT



- NOTES:-
1. REFER TO COLOUR INDEX (DM-SPEC) FOR AVAILABLE COLOUR RANGE.
 2. SEE SL18-1 RANGE FOR SUITABLE BRACKET COMBINATIONS.
 3. REFER TO DM-COMP FOR STOCK CODE COMPARISON.

				COMPATIBLE UNIT			DISTRIBUTION DESIGN CATALOGUE				
				TITLE			DRAWN: JRR DATE: 01-04-2014		DRG. No.		
				BOURKE HILL LUMINAIRE			ORIGINATED: SCALE: NTS		DM42-102		
							CHECKED: REE		REV. SHT.		
							APPROVED: GRANT STACY		J		
REV	DATE	DESCRIPTION	ORGD.	CHKD.	APRD.						
J	08.03.24	TABLE DELETED AND NOTES REVISED		JT	ML	CO					
H	06.05.22	COLOUR TEMPARATURE 3000 ADDED IN THE TABLE		SH	REE	GS					
G	09.02.21	COLOUR TEMPARATURE 3000 DELETED FROM THE TABLE		REE	NN	GS					
F	21.09.20	TABLE REVISED		REE	NN	GS					

Colour Temperature 4000K

CU	CU Description
-----------	-----------------------

DM42_3A_EBY Bourke Hill 30W LED Luminaire Ebony/Black (equiv. 70W HPS &MH & 125W MV)					
ITEM NUMBER	STOCK CODE	DESCRIPTION	QTY REQD	UNIT OF MEASURE	REMARKS
1	HL6541	Luminaire Ebony Black	1	ea	
2	HL5557	PE Cell	1	ea	

DM42_3A_OWT Bourke Hill 30W LED Luminaire Off White/ Surf Mist (equiv. 70W HPS &MH & 125W MV)					
ITEM NUMBER	STOCK CODE	DESCRIPTION	QTY REQD	UNIT OF MEASURE	REMARKS
1	HL6547	Luminaire Off White/Surf Mist	1	ea	
2	HL5557	PE Cell	1	ea	

DM42_3A_GGY Bourke Hill 30W LED Luminaire Gull Grey (equiv. 70W HPS &MH & 125W MV)					
ITEM NUMBER	STOCK CODE	DESCRIPTION	QTY REQD	UNIT OF MEASURE	REMARKS
1	HL6546	LED Luminaire Gull Grey	1	ea	
2	HL5557	PE Cell	1	ea	

DM42_3A_SGY Bourke Hill 30W LED Luminaire Slate Grey (equiv. 70W HPS &MH & 125W MV)					
ITEM NUMBER	STOCK CODE	DESCRIPTION	QTY REQD	UNIT OF MEASURE	REMARKS
1	HL6544	LED Luminaire Slate Grey	1	ea	
2	HL5557	PE Cell	1	ea	

DM42_3A_HRD Bourke Hill 30W LED Luminaire Heritage Red (equiv. 70W HPS & MH & 125W MV)					
ITEM NUMBER	STOCK CODE	DESCRIPTION	QTY REQD	UNIT OF MEASURE	REMARKS
1	HL6542	LED Luminaire Heritage Red	1	ea	
2	HL5557	PE Cell	1	ea	

DM42_3A_HGN Bourke Hill 30W LED Luminaire Hawthorn Green (equiv. 70W HPS & MH & 125W MV)					
ITEM NUMBER	STOCK CODE	DESCRIPTION	QTY REQD	UNIT OF MEASURE	REMARKS
1	HL6545	LED Luminaire Hawthorn Green	1	ea	
2	HL5557	PE Cell	1	ea	

CU	CU Description				
DM42_3A_MBL Bourke Hill 30W LED Luminaire Mountain Blue (equiv. 70W HPS & MH & 125W MV)					
ITEM NUMBER	STOCK CODE	DESCRIPTION	QTY REQD	UNIT OF MEASURE	REMARKS
1	HL6543	LED Luminaire Mountain Blue	1	ea	
2	HL5557	PE Cell	1	ea	
DM42_3A_CGN Bourke Hill 30W LED Luminaire Caulfield Green (equiv. 70W HPS & MH & 125W MV)					
ITEM NUMBER	STOCK CODE	DESCRIPTION	QTY REQD	UNIT OF MEASURE	REMARKS
1	HL6549	LED Luminaire Caulfield Green	1	ea	
2	HL5557	PE Cell	1	ea	
DM42_3A_SBL Bourke Hill 30W LED Luminaire Space Blue (equiv. 70W HPS & MH & 125W MV)					
ITEM NUMBER	STOCK CODE	DESCRIPTION	QTY REQD	UNIT OF MEASURE	REMARKS
1	HL6548	LED Luminaire Space Blue	1	ea	
2	HL5557	PE Cell	1	ea	
DM42_3A_AGY Bourke Hill 30W LED Luminaire Armour Grey (equiv. 70W HPS & MH & 125W MV)					
ITEM NUMBER	STOCK CODE	DESCRIPTION	QTY REQD	UNIT OF MEASURE	REMARKS
1	HL6540	Luminaire Armour Grey	1	ea	
2	HL5557	PE Cell	1	ea	
DM42_3A_MER Bourke Hill 30W LED Merino (equiv. 70W HPS & MH & 125W MV)					
ITEM NUMBER	STOCK CODE	DESCRIPTION	QTY REQD	UNIT OF MEASURE	REMARKS
1	HL6540	Luminaire Merino	1	ea	
2	HL5557	PE Cell	1	ea	
DM42_3A_MGN Bourke Hill 30W LED Mist green (equiv. 70W HPS & MH & 125W MV)					
ITEM NUMBER	STOCK CODE	DESCRIPTION	QTY REQD	UNIT OF MEASURE	REMARKS
1	HL6540	Luminaire Mist Green	1	ea	
2	HL5557	PE Cell	1	ea	
DM42_3A_TEL Bourke Hill 30W LED Luminaire Teal (equiv. 70W HPS & MH & 125W MV)					
ITEM NUMBER	STOCK CODE	DESCRIPTION	QTY REQD	UNIT OF MEASURE	REMARKS
1	HL6540	Luminaire Teal	1	ea	
2	HL5557	PE Cell	1	ea	

CU	CU Description
-----------	-----------------------

DM42_3A_TRD		Bourke Hill 30W LED Luminaire Tuscan Red (equiv. 70W HPS &MH & 125W MV)			
ITEM NUMBER	STOCK CODE	DESCRIPTION	QTY REQD	UNIT OF MEASURE	REMARKS
1	HL6540	Luminaire Tuscan Red	1	ea	
2	HL5557	PE Cell	1	ea	

DM102_1A_EBY		Bourke Hill 14W LED Luminaire Ebony/Black (equiv 42W CFL)			
ITEM NUMBER	STOCK CODE	DESCRIPTION	QTY REQD	UNIT OF MEASURE	REMARKS
1	HL6521	Luminaire Ebony Black	1	ea	
2	HL5557	PE Cell	1	ea	

DM102_1A_OWT		Bourke Hill 14W LED Luminaire Off White/Surf mist (equiv 42W CFL)			
ITEM NUMBER	STOCK CODE	DESCRIPTION	QTY REQD	UNIT OF MEASURE	REMARKS
1	HL6527	Luminaire Off White/Surf Mist	1	ea	
2	HL5557	PE Cell	1	ea	

DM102_1A_GGY		Bourke Hill 14W LED Luminaire Gull Grey (equiv 42W CFL)			
ITEM NUMBER	STOCK CODE	DESCRIPTION	QTY REQD	UNIT OF MEASURE	REMARKS
1	HL6526	LED Luminaire Gull Grey	1	ea	
2	HL5557	PE Cell	1	ea	

DM102_1A_SGY		Bourke Hill 14W LED Luminaire Slate Grey (equiv 42W CFL)			
ITEM NUMBER	STOCK CODE	DESCRIPTION	QTY REQD	UNIT OF MEASURE	REMARKS
1	HL6524	LED Luminaire Slate Grey	1	ea	
2	HL5557	PE Cell	1	ea	

DM102_1A_HRD		Bourke Hill 14W LED Luminaire Heritage Red (equiv 42W CFL)			
ITEM NUMBER	STOCK CODE	DESCRIPTION	QTY REQD	UNIT OF MEASURE	REMARKS
1	HL6522	LED Luminaire Heritage Red	1	ea	
2	HL5557	PE Cell	1	ea	

DM102_1A_HGN		Bourke Hill 14W LED Luminaire Hawthorn Green (equiv 42W CFL)			
ITEM NUMBER	STOCK CODE	DESCRIPTION	QTY REQD	UNIT OF MEASURE	REMARKS
1	HL6525	LED Luminaire Hawthorn Green	1	ea	
2	HL5557	PE Cell	1	ea	

CU	CU Description
-----------	-----------------------

DM102_1A_MBL Bourke Hill 14W LED Luminaire Mountain Blue (equiv 42W CFL)					
ITEM NUMBER	STOCK CODE	DESCRIPTION	QTY REQD	UNIT OF MEASURE	REMARKS
1	HL6523	LED Luminaire Mountain Blue	1	ea	
2	HL5557	PE Cell	1	ea	

DM102_1A_CGN Bourke Hill 14W LED Luminaire Caulfield Green (equiv 42W CFL)					
ITEM NUMBER	STOCK CODE	DESCRIPTION	QTY REQD	UNIT OF MEASURE	REMARKS
1	HL6529	LED Luminaire Caulfield Green	1	ea	
2	HL5557	PE Cell	1	ea	

DM102_1A_SBL Bourke Hill 14W LED Luminaire Space Blue (equiv 42W CFL)					
ITEM NUMBER	STOCK CODE	DESCRIPTION	QTY REQD	UNIT OF MEASURE	REMARKS
1	HL6528	Luminaire Space Blue	1	ea	
2	HL5557	PE Cell	1	ea	

DM102_1A_AGY Bourke Hill 14W LED Luminaire Armour Grey (equiv 42W CFL)					
ITEM NUMBER	STOCK CODE	DESCRIPTION	QTY REQD	UNIT OF MEASURE	REMARKS
1	HL6520	Luminaire Armour Grey	1	ea	
2	HL5557	PE Cell	1	ea	

DM102_1A_MER Bourke Hill 14W LED Luminaire Merino (equiv 42W CFL)					
ITEM NUMBER	STOCK CODE	DESCRIPTION	QTY REQD	UNIT OF MEASURE	REMARKS
1	HL6520	Luminaire Merino	1	ea	
2	HL5557	PE Cell	1	ea	

DM102_1A_MGN Bourke Hill 14W LED Luminaire Mist Green					
ITEM NUMBER	STOCK CODE	DESCRIPTION	QTY REQD	UNIT OF MEASURE	REMARKS
1	HL6520	Luminaire Mist Green	1	ea	
2	HL5557	PE Cell	1	ea	

CU	CU Description
-----------	-----------------------

DM102_1A_TEL Bourke Hill 14W LED Luminaire Teal (equiv 42W CFL)					
ITEM NUMBER	STOCK CODE	DESCRIPTION	QTY REQD	UNIT OF MEASURE	REMARKS
1	HL6520	Luminaire Teal	1	ea	
2	HL5557	PE Cell	1	ea	

DM102_1A_TRD Bourke Hill 14W LED Luminaire Tuscan Red (equiv 42W CFL)					
ITEM NUMBER	STOCK CODE	DESCRIPTION	QTY REQD	UNIT OF MEASURE	REMARKS
1	HL6520	Luminaire Tuscan Red	1	ea	
2	HL5557	PE Cell	1	ea	

Colour Temperature 3000K

DM42_3M_EBY Bourke Hill 14W LED Luminaire Ebony/Black (equiv. 70W HPS &MH & 125W MV)					
ITEM NUMBER	STOCK CODE	DESCRIPTION	QTY REQD	UNIT OF MEASURE	REMARKS
1	HL6441	Luminaire Ebony Black	1	ea	
2	HL5557	PE Cell	1	ea	

DM42_3M_OWT Bourke Hill 30W LED Luminaire Off White/ Surf Mist (equiv. 70W HPS &MH & 125W MV)					
ITEM NUMBER	STOCK CODE	DESCRIPTION	QTY REQD	UNIT OF MEASURE	REMARKS
1	HL6447	Luminaire Off White/Surf Mist	1	ea	
2	HL5557	PE Cell	1	ea	

DM42_3M_GGY Bourke Hill 30W LED Luminaire Gull Grey (equiv. 70W HPS &MH & 125W MV)					
ITEM NUMBER	STOCK CODE	DESCRIPTION	QTY REQD	UNIT OF MEASURE	REMARKS
1	HL6446	LED Luminaire Gull Grey	1	ea	
2	HL5557	PE Cell	1	ea	

DM42_3M_SGY Bourke Hill 30W LED Luminaire Slate Grey (equiv. 70W HPS &MH & 125W MV)					
ITEM NUMBER	STOCK CODE	DESCRIPTION	QTY REQD	UNIT OF MEASURE	REMARKS
1	HL6444	LED Luminaire Slate Grey	1	ea	
2	HL5557	PE Cell	1	ea	

CU	CU Description
-----------	-----------------------

DM42_3M_HRD Bourke Hill 30W LED Luminaire Heritage Red (equiv. 70W HPS & MH & 125W MV)					
ITEM NUMBER	STOCK CODE	DESCRIPTION	QTY REQD	UNIT OF MEASURE	REMARKS
1	HL6442	LED Luminaire Heritage Red	1	ea	
2	HL5557	PE Cell	1	ea	

DM42_3M_HGN Bourke Hill 30W LED Luminaire Hawthorn Green (equiv. 70W HPS & MH & 125W MV)					
ITEM NUMBER	STOCK CODE	DESCRIPTION	QTY REQD	UNIT OF MEASURE	REMARKS
1	HL6445	LED Luminaire Hawthorn Green	1	ea	
2	HL5557	PE Cell	1	ea	

DM42_3M_MBL Bourke Hill 30W LED Luminaire Mountain Blue (equiv. 70W HPS & MH & 125W MV)					
ITEM NUMBER	STOCK CODE	DESCRIPTION	QTY REQD	UNIT OF MEASURE	REMARKS
1	HL6443	LED Luminaire Mountain Blue	1	ea	
2	HL5557	PE Cell	1	ea	

DM42_3M_CGN Bourke Hill 30W LED Luminaire Caulfield Green (equiv. 70W HPS & MH & 125W MV)					
ITEM NUMBER	STOCK CODE	DESCRIPTION	QTY REQD	UNIT OF MEASURE	REMARKS
1	HL6449	LED Luminaire Caulfield Green	1	ea	
2	HL5557	PE Cell	1	ea	

DM42_3M_SBL Bourke Hill 30W LED Luminaire Space Blue (equiv. 70W HPS & MH & 125W MV)					
ITEM NUMBER	STOCK CODE	DESCRIPTION	QTY REQD	UNIT OF MEASURE	REMARKS
1	HL6448	LED Luminaire Space Blue	1	ea	
2	HL5557	PE Cell	1	ea	

DM42_3M_AGY Bourke Hill 30W LED Luminaire Armour Grey (equiv. 70W HPS & MH & 125W MV)					
ITEM NUMBER	STOCK CODE	DESCRIPTION	QTY REQD	UNIT OF MEASURE	REMARKS
1	HL6440	Luminaire Armour Grey	1	ea	
2	HL5557	PE Cell	1	ea	

CU	CU Description
-----------	-----------------------

DM42_3M_MER		Bourke Hill 30W LED Merino (equiv. 70W HPS &MH & 125W MV)			
ITEM NUMBER	STOCK CODE	DESCRIPTION	QTY REQD	UNIT OF MEASURE	REMARKS
1	HL6440	Luminaire Merino	1	ea	
2	HL5557	PE Cell	1	ea	

DM42_3M_MGN		Bourke Hill 30W LED Mist green (equiv. 70W HPS &MH & 125W MV)			
ITEM NUMBER	STOCK CODE	DESCRIPTION	QTY REQD	UNIT OF MEASURE	REMARKS
1	HL6440	Luminaire Mist Green	1	ea	
2	HL5557	PE Cell	1	ea	

DM42_3M_TEL		Bourke Hill 30W LED Luminaire Teal (equiv. 70W HPS &MH & 125W MV)			
ITEM NUMBER	STOCK CODE	DESCRIPTION	QTY REQD	UNIT OF MEASURE	REMARKS
1	HL6440	Luminaire Teal	1	ea	
2	HL5557	PE Cell	1	ea	

DM42_3M_TRD		Bourke Hill 30W LED Luminaire Tuscan Red (equiv. 70W HPS &MH & 125W MV)			
ITEM NUMBER	STOCK CODE	DESCRIPTION	QTY REQD	UNIT OF MEASURE	REMARKS
1	HL6440	Luminaire Tuscan Red	1	ea	
2	HL5557	PE Cell	1	ea	

DM102_1M_EBY		Bourke Hill 14W LED Luminaire Ebony/Black (equiv 42W CFL)			
ITEM NUMBER	STOCK CODE	DESCRIPTION	QTY REQD	UNIT OF MEASURE	REMARKS
1	HL6421	Luminaire Ebony Black	1	ea	
2	HL5557	PE Cell	1	ea	

DM102_1M_OWT		Bourke Hill 14W LED Luminaire Off White/Surf mist (equiv 42W CFL)			
ITEM NUMBER	STOCK CODE	DESCRIPTION	QTY REQD	UNIT OF MEASURE	REMARKS
1	HL6427	Luminaire Off White/Surf Mist	1	ea	
2	HL5557	PE Cell	1	ea	

DM102_1M_GGY		Bourke Hill 14W LED Luminaire Gull Grey (equiv 42W CFL)			
ITEM NUMBER	STOCK CODE	DESCRIPTION	QTY REQD	UNIT OF MEASURE	REMARKS
1	HL6426	LED Luminaire Gull Grey	1	ea	
2	HL5557	PE Cell	1	ea	

CU	CU Description
-----------	-----------------------

DM102_1M_SGY Bourke Hill 14W LED Luminaire Slate Grey (equiv 42W CFL)					
ITEM NUMBER	STOCK CODE	DESCRIPTION	QTY REQD	UNIT OF MEASURE	REMARKS
1	HL6424	LED Luminaire Slate Grey	1	ea	
2	HL5557	PE Cell	1	ea	

DM102_1M_HRD Bourke Hill 14W LED Luminaire Heritage Red (equiv 42W CFL)					
ITEM NUMBER	STOCK CODE	DESCRIPTION	QTY REQD	UNIT OF MEASURE	REMARKS
1	HL6422	LED Luminaire Heritage Red	1	ea	
2	HL5557	PE Cell	1	ea	

DM102_1M_MBL Bourke Hill 14W LED Luminaire Mountain Blue (equiv 42W CFL)					
ITEM NUMBER	STOCK CODE	DESCRIPTION	QTY REQD	UNIT OF MEASURE	REMARKS
1	HL6423	LED Luminaire Mountain Blue	1	ea	
2	HL5557	PE Cell	1	ea	

DM102_1M_CGN Bourke Hill 14W LED Luminaire Caulfield Green (equiv 42W CFL)					
ITEM NUMBER	STOCK CODE	DESCRIPTION	QTY REQD	UNIT OF MEASURE	REMARKS
1	HL6429	LED Luminaire Caulfield Green	1	ea	
2	HL5557	PE Cell	1	ea	

DM102_1M_SBL Bourke Hill 14W LED Luminaire Space Blue (equiv 42W CFL)					
ITEM NUMBER	STOCK CODE	DESCRIPTION	QTY REQD	UNIT OF MEASURE	REMARKS
1	HL6428	Luminaire Space Blue	1	ea	
2	HL5557	PE Cell	1	ea	

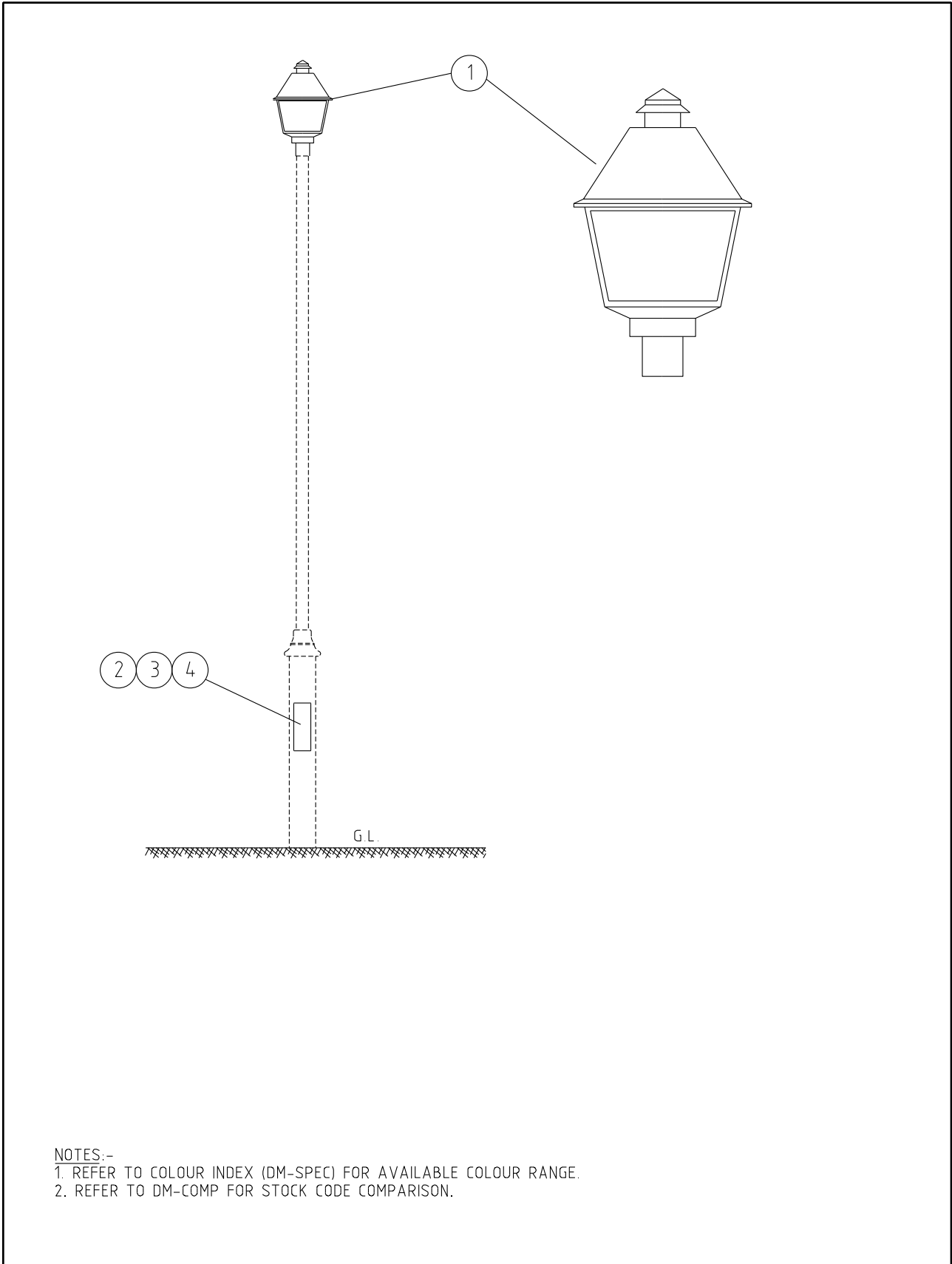
DM102_1M_MER Bourke Hill 14W LED Luminaire Merino (equiv 42W CFL)					
ITEM NUMBER	STOCK CODE	DESCRIPTION	QTY REQD	UNIT OF MEASURE	REMARKS
1	HL6420	Luminaire Merino	1	ea	
2	HL5557	PE Cell	1	ea	

DM102_1M_MGN Bourke Hill 14W LED Luminaire Mist Green(equiv 42W CFL)					
ITEM NUMBER	STOCK CODE	DESCRIPTION	QTY REQD	UNIT OF MEASURE	REMARKS
1	HL6420	Luminaire Mist Green	1	ea	
2	HL5557	PE Cell	1	ea	

CU	CU Description
-----------	-----------------------

DM102_1M_TEL Bourke Hill 14W LED Luminaire Teal (equiv 42W CFL)					
ITEM NUMBER	STOCK CODE	DESCRIPTION	QTY REQ D	UNIT OF MEASURE	REMARKS
1	HL6420	Luminaire Teal	1	ea	
2	HL5557	PE Cell	1	ea	

DM102_1M_TRD Bourke Hill 14W LED Luminaire Tuscan Red (equiv 42W CFL)					
ITEM NUMBER	STOCK CODE	DESCRIPTION	QTY REQ D	UNIT OF MEASURE	REMARKS
1	HL6420	Luminaire Tuscan Red	1	ea	
2	HL5557	PE Cell	1	ea	



NOTES:-
 1. REFER TO COLOUR INDEX (DM-SPEC) FOR AVAILABLE COLOUR RANGE.
 2. REFER TO DM-COMP FOR STOCK CODE COMPARISON.

				COMPATIBLE UNIT			DISTRIBUTION DESIGN CATALOGUE			
J	08.03.24	TABLE DELETED AND NOTES REVISED	JT	ML	CO	TITLE	DRAWN: JRR	DATE: 01-04-2014	DRG. No.	
H	06.05.22	TABLE REVISED	SH	REE	GS	KENSINGTON LUMINAIRE	ORIGINATED:	SCALE: NTS	DM45-DM103	
G	09.02.21	TABLE REVISED	REE	NN	GS		CHECKED: REE	REV. J		
F	24.06.20	TABLE REVISED AND ITEM 4 (HZ0135) ADDED	REE	NN	GS		APPROVED: GRANT STACY	SHT.		
E	07.09.18	PILLAR CONNECTION DETAILS DELETED & LED ADDED	REE	CO	GS					
REV	DATE	DESCRIPTION	ORGD.	CHKD.	APRD.					

Colour Temperature 4000K

CU	CU Description
----	----------------

DM45_3B_EBY Kensington 30W LED Luminaire Ebony/Black (equiv 70W MH & HPS)					
ITEM NUMBER	STOCK CODE	DESCRIPTION	QTY REQD	UNIT OF MEASURE	REMARKS
1	HL6551	Luminaire, 30W LED	1	ea	
1	HL5557	PE Cell	1	ea	
2	GF1300	fuse cartridge 10 amp	1	ea	
3	HZ0131	SL fuse cut-out	1	ea	
4	HZ0135	Cut-out mounting bracket	1	ea	

DM45_3B_OWT Kensington 30W LED Luminaire Off White/Surf Mist (equiv 70W MH & HPS)					
ITEM NUMBER	STOCK CODE	DESCRIPTION	QTY REQD	UNIT OF MEASURE	REMARKS
1	HL6557	Luminaire, 30W LED	1	ea	
1	HL5557	PE Cell	1	ea	
2	GF1300	fuse cartridge 10 amp	1	ea	
3	HZ0131	SL fuse cut-out	1	ea	
4	HZ0135	Cut-out mounting bracket	1	ea	

DM45_3B_GGY Kensington 30W LED Luminaire Gull Grey (equiv 70W MH & HPS)					
ITEM NUMBER	STOCK CODE	DESCRIPTION	QTY REQD	UNIT OF MEASURE	REMARKS
1	HL6556	Luminaire, 30W LED	1	ea	
1	HL5557	PE Cell	1	ea	
2	GF1300	fuse cartridge 10 amp	1	ea	
3	HZ0131	SL fuse cut-out	1	ea	
4	HZ0135	Cut-out mounting bracket	1	ea	

DM45_3B_SGY Kensington 30W LED Luminaire Slate Grey (equiv 70W MH & HPS)					
ITEM NUMBER	STOCK CODE	DESCRIPTION	QTY REQD	UNIT OF MEASURE	REMARKS
1	HL6554	Luminaire, 30W LED	1	ea	
1	HL5557	PE Cell	1	ea	
2	GF1300	fuse cartridge 10 amp	1	ea	
3	HZ0131	SL fuse cut-out	1	ea	
4	HZ0135	Cut-out mounting bracket	1	ea	

CU	CU Description
-----------	-----------------------

DM45_3B_HRD Kensington 30W LED Luminaire Heritage Red (equiv 70W MH & HPS)					
ITEM NUMBER	STOCK CODE	DESCRIPTION	QTY REQD	UNIT OF MEASURE	REMARKS
1	HL6552	Luminaire, 30W LED	1	ea	
1	HL5557	PE Cell	1	ea	
2	GF1300	fuse cartridge 10 amp	1	ea	
3	HZ0131	SL fuse cut-out	1	ea	
4	HZ0135	Cut-out mounting bracket	1	ea	

DM45_3B_HGN Kensington 30W LED Luminaire Hawthorn Green (equiv 70W MH & HPS)					
ITEM NUMBER	STOCK CODE	DESCRIPTION	QTY REQD	UNIT OF MEASURE	REMARKS
1	HL6555	Luminaire, 30W LED	1	ea	
1	HL5557	PE Cell	1	ea	
2	GF1300	fuse cartridge 10 amp	1	ea	
3	HZ0131	SL fuse cut-out	1	ea	
4	HZ0135	Cut-out mounting bracket	1	ea	

DM45_3B_MBL Kensington 30W LED Luminaire Mountain Blue (equiv 70W MH & HPS)					
ITEM NUMBER	STOCK CODE	DESCRIPTION	QTY REQD	UNIT OF MEASURE	REMARKS
1	HL6553	Luminaire, 30W LED	1	ea	
1	HL5557	PE Cell	1	ea	
2	GF1300	fuse cartridge 10 amp	1	ea	
3	HZ0131	SL fuse cut-out	1	ea	
4	HZ0135	Cut-out mounting bracket	1	ea	

DM45_3B_CGN Kensington 30W LED Luminaire Caulfield Green (equiv 70W MH & HPS)					
ITEM NUMBER	STOCK CODE	DESCRIPTION	QTY REQD	UNIT OF MEASURE	REMARKS
1	HL6559	Luminaire, 30W LED	1	ea	
1	HL5557	PE Cell	1	ea	
2	GF1300	fuse cartridge 10 amp	1	ea	
3	HZ0131	SL fuse cut-out	1	ea	
4	HZ0135	Cut-out mounting bracket	1	ea	

DM45_3B_SBL Kensington 30W LED Luminaire Space Blue (equiv 70W MH & HPS)					
ITEM NUMBER	STOCK CODE	DESCRIPTION	QTY REQD	UNIT OF MEASURE	REMARKS
1	HL6558	Luminaire, 30W LED	1	ea	
1	HL5557	PE Cell	1	ea	
2	GF1300	fuse cartridge 10 amp	1	ea	
3	HZ0131	SL fuse cut-out	1	ea	
4	HZ0135	Cut-out mounting bracket	1	ea	

CU	CU Description
-----------	-----------------------

DM45_3B_AGY Kensington 30W LED Luminaire Armor Grey (equiv 70W MH & HPS)					
ITEM NUMBER	STOCK CODE	DESCRIPTION	QTY REQD	UNIT OF MEASURE	REMARKS
1	HL6550	Luminaire, 30W LED	1	ea	
1	HL5557	PE Cell	1	ea	
2	GF1300	fuse cartridge 10 amp	1	ea	
3	HZ0131	SL fuse cut-out	1	ea	
4	HZ0135	Cut-out mounting bracket	1	ea	

DM45_3B_MER Kensington 30W LED Luminaire Merino (equiv 70W MH & HPS)					
ITEM NUMBER	STOCK CODE	DESCRIPTION	QTY REQD	UNIT OF MEASURE	REMARKS
1	HL6550	Luminaire, 30W LED	1	ea	
1	HL5557	PE Cell	1	ea	
2	GF1300	fuse cartridge 10 amp	1	ea	
3	HZ0131	SL fuse cut-out	1	ea	
4	HZ0135	Cut-out mounting bracket	1	ea	

DM45_3B_MGN Kensington 30W LED Luminaire Mist Green (equiv 70W MH & HPS)					
ITEM NUMBER	STOCK CODE	DESCRIPTION	QTY REQD	UNIT OF MEASURE	REMARKS
1	HL6550	Luminaire, 30W LED	1	ea	
1	HL5557	PE Cell	1	ea	
2	GF1300	fuse cartridge 10 amp	1	ea	
3	HZ0131	SL fuse cut-out	1	ea	
4	HZ0135	Cut-out mounting bracket	1	ea	

DM45_3B_TEL Kensington 30W LED Luminaire Teal (equiv 70W MH & HPS)					
ITEM NUMBER	STOCK CODE	DESCRIPTION	QTY REQD	UNIT OF MEASURE	REMARKS
1	HL6550	Luminaire, 30W LED	1	ea	
1	HL5557	PE Cell	1	ea	
2	GF1300	fuse cartridge 10 amp	1	ea	
3	HZ0131	SL fuse cut-out	1	ea	
4	HZ0135	Cut-out mounting bracket	1	ea	

DM45_3B_TRD Kensington 30W LED Luminaire Tuscan Red (equiv 70W MH & HPS)					
ITEM NUMBER	STOCK CODE	DESCRIPTION	QTY REQD	UNIT OF MEASURE	REMARKS
1	HL6550	Luminaire, 30W LED	1	ea	
1	HL5557	PE Cell	1	ea	
2	GF1300	fuse cartridge 10 amp	1	ea	
3	HZ0131	SL fuse cut-out	1	ea	
4	HZ0135	Cut-out mounting bracket	1	ea	

CU	CU Description
-----------	-----------------------

DM103_1B_EBY Kensington 16W LED Luminaire Ebony/Black (equiv 42W CFL)					
ITEM NUMBER	STOCK CODE	DESCRIPTION	QTY REQD	UNIT OF MEASURE	REMARKS
1	HL6531	Luminaire Ebony Black	1	ea	
1	HL5557	PE Cell	1	ea	
2	GF1300	fuse cartridge 10 amp	1	ea	
3	HZ0131	SL fuse cut-out	1	ea	
4	HZ0135	Cut-out mounting bracket	1	ea	

DM103_1B_OWT Kensington 16W LED Luminaire Off White/Surf Mist (equiv 42W CFL)					
ITEM NUMBER	STOCK CODE	DESCRIPTION	QTY REQD	UNIT OF MEASURE	REMARKS
1	HL6537	Luminaire	1	ea	
1	HL5557	PE Cell	1	ea	
2	GF1300	fuse cartridge 10 amp	1	ea	
3	HZ0131	SL fuse cut-out	1	ea	
4	HZ0135	Cut-out mounting bracket	1	ea	

DM103_1B_GGY Kensington 16W LED Luminaire Gull Grey (equiv 42W CFL)					
ITEM NUMBER	STOCK CODE	DESCRIPTION	QTY REQD	UNIT OF MEASURE	REMARKS
1	HL6536	Luminaire	1	ea	
1	HL5557	PE Cell	1	ea	
2	GF1300	fuse cartridge 10 amp	1	ea	
3	HZ0131	SL fuse cut-out	1	ea	
4	HZ0135	Cut-out mounting bracket	1	ea	

DM103_1B_SGY Kensington 16W LED Luminaire - Slate Grey (equiv 42W CFL)					
ITEM NUMBER	STOCK CODE	DESCRIPTION	QTY REQD	UNIT OF MEASURE	REMARKS
1	HL6534	Luminaire	1	ea	
1	HL5557	PE Cell	1	ea	
2	GF1300	fuse cartridge 10 amp	1	ea	
3	HZ0131	SL fuse cut-out	1	ea	
4	HZ0135	Cut-out mounting bracket	1	ea	

CU	CU Description
-----------	-----------------------

DM103_1B_HRD Kensington 16W LED Luminaire Heritage Red (equiv 42W CFL)					
ITEM NUMBER	STOCK CODE	DESCRIPTION	QTY REQD	UNIT OF MEASURE	REMARKS
1	HL6532	Luminaire	1	ea	
1	HL5557	PE Cell	1	ea	
2	GF1300	fuse cartridge 10 amp	1	ea	
3	HZ0131	SL fuse cut-out	1	ea	
4	HZ0135	Cut-out mounting bracket	1	ea	

DM103_1B_HGN Kensington 16W LED Luminaire Hawthorn Green (equiv 42W CFL)					
ITEM NUMBER	STOCK CODE	DESCRIPTION	QTY REQD	UNIT OF MEASURE	REMARKS
1	HL6535	Luminaire	1	ea	
1	HL5557	PE Cell	1	ea	
2	GF1300	fuse cartridge 10 amp	1	ea	
3	HZ0131	SL fuse cut-out	1	ea	
4	HZ0135	Cut-out mounting bracket	1	ea	

DM103_1B_MBL Kensington 16W LED Luminaire Mountain Blue (equiv 42W CFL)					
ITEM NUMBER	STOCK CODE	DESCRIPTION	QTY REQD	UNIT OF MEASURE	REMARKS
1	HL6533	Luminaire	1	ea	
1	HL5557	PE Cell	1	ea	
2	GF1300	fuse cartridge 10 amp	1	ea	
3	HZ0131	SL fuse cut-out	1	ea	
4	HZ0135	Cut-out mounting bracket	1	ea	

DM103_1B_CGN Kensington 16W LED Luminaire Caulfield Green (equiv 42W CFL)					
ITEM NUMBER	STOCK CODE	DESCRIPTION	QTY REQD	UNIT OF MEASURE	REMARKS
1	HL6539	Luminaire	1	ea	
1	HL5557	PE Cell	1	ea	
2	GF1300	fuse cartridge 10 amp	1	ea	
3	HZ0131	SL fuse cut-out	1	ea	
4	HZ0135	Cut-out mounting bracket	1	ea	

CU	CU Description
-----------	-----------------------

DM103_1B_SBL Kensington 16W LED Luminaire - Space Blue (equiv 42W CFL)					
ITEM NUMBER	STOCK CODE	DESCRIPTION	QTY REQD	UNIT OF MEASURE	REMARKS
1	HL6538	Luminaire	1	ea	
1	HL5557	PE Cell	1	ea	
2	GF1300	fuse cartridge 10 amp	1	ea	
3	HZ0131	SL fuse cut-out	1	ea	
4	HZ0135	Cut-out mounting bracket	1	ea	

DM103_1B_AGY Kensington 16W LED Luminaire Armour Grey (equiv 42W CFL)					
ITEM NUMBER	STOCK CODE	DESCRIPTION	QTY REQD	UNIT OF MEASURE	REMARKS
1	HL6530	Luminaire, specify colour	1	ea	
1	HL5557	PE Cell	1	ea	
2	GF1300	fuse cartridge 10 amp	1	ea	
3	HZ0131	SL fuse cut-out	1	ea	
4	HZ0135	Cut-out mounting bracket	1	ea	

DM103_1B_MER Kensington 16W LED Luminaire Merino (equiv 42W CFL)					
ITEM NUMBER	STOCK CODE	DESCRIPTION	QTY REQD	UNIT OF MEASURE	REMARKS
1	HL6530	Luminaire, specify colour	1	ea	
1	HL5557	PE Cell	1	ea	
2	GF1300	fuse cartridge 10 amp	1	ea	
3	HZ0131	SL fuse cut-out	1	ea	
4	HZ0135	Cut-out mounting bracket	1	ea	

DM103_1B_MGN Kensington 16W LED Luminaire Mist Green (equiv 42W CFL)					
ITEM NUMBER	STOCK CODE	DESCRIPTION	QTY REQD	UNIT OF MEASURE	REMARKS
1	HL6530	Luminaire, specify colour	1	ea	
1	HL5557	PE Cell	1	ea	
2	GF1300	fuse cartridge 10 amp	1	ea	
3	HZ0131	SL fuse cut-out	1	ea	
4	HZ0135	Cut-out mounting bracket	1	ea	

DM103_1B_TEL Kensington 16W LED Luminaire Teal (equiv 42W CFL)					
ITEM NUMBER	STOCK CODE	DESCRIPTION	QTY REQD	UNIT OF MEASURE	REMARKS
1	HL6530	Luminaire, specify colour	1	ea	
1	HL5557	PE Cell	1	ea	
2	GF1300	fuse cartridge 10 amp	1	ea	
3	HZ0131	SL fuse cut-out	1	ea	
4	HZ0135	Cut-out mounting bracket	1	ea	

CU	CU Description
-----------	-----------------------

DM103_1B_TRD Kensington 16W LED Luminaire Tuscan Red (equiv 42W CFL)					
ITEM NUMBER	STOCK CODE	DESCRIPTION	QTY REQD	UNIT OF MEASURE	REMARKS
1	HL6530	Luminaire, specify colour	1	ea	
1	HL5557	PE Cell	1	ea	
2	GF1300	fuse cartridge 10 amp	1	ea	
3	HZ0131	SL fuse cut-out	1	ea	
4	HZ0135	Cut-out mounting bracket	1	ea	

Colour Temperature 3000K

DM45_3N_EBY Kensington 30W LED Luminaire Ebony/Black (equiv 70W MH & HPS)					
ITEM NUMBER	STOCK CODE	DESCRIPTION	QTY REQD	UNIT OF MEASURE	REMARKS
1	HL6451	Luminaire, 30W LED	1	ea	
1	HL5557	PE Cell	1	ea	
2	GF1300	fuse cartridge 10 amp	1	ea	
3	HZ0131	SL fuse cut-out	1	ea	
4	HZ0135	Cut-out mounting bracket	1	ea	

DM45_3N_OWT Kensington 30W LED Luminaire Off White/Surf Mist (equiv 70W MH & HPS)					
ITEM NUMBER	STOCK CODE	DESCRIPTION	QTY REQD	UNIT OF MEASURE	REMARKS
1	HL6457	Luminaire, 30W LED	1	ea	
1	HL5557	PE Cell	1	ea	
2	GF1300	fuse cartridge 10 amp	1	ea	
3	HZ0131	SL fuse cut-out	1	ea	
4	HZ0135	Cut-out mounting bracket	1	ea	

DM45_3N_GGY Kensington 30W LED Luminaire Gull Grey (equiv 70W MH & HPS)					
ITEM NUMBER	STOCK CODE	DESCRIPTION	QTY REQD	UNIT OF MEASURE	REMARKS
1	HL6456	Luminaire, 30W LED	1	ea	
1	HL5557	PE Cell	1	ea	
2	GF1300	fuse cartridge 10 amp	1	ea	
3	HZ0131	SL fuse cut-out	1	ea	
4	HZ0135	Cut-out mounting bracket	1	ea	

CU	CU Description
-----------	-----------------------

DM45_3N_SGY Kensington 30W LED Luminaire Slate Grey (equiv 70W MH & HPS)					
ITEM NUMBER	STOCK CODE	DESCRIPTION	QTY REQD	UNIT OF MEASURE	REMARKS
1	HL6454	Luminaire, 30W LED	1	ea	
1	HL5557	PE Cell	1	ea	
2	GF1300	fuse cartridge 10 amp	1	ea	
3	HZ0131	SL fuse cut-out	1	ea	
4	HZ0135	Cut-out mounting bracket	1	ea	

DM45_3N_HRD Kensington 30W LED Luminaire Heritage Red (equiv 70W MH & HPS)					
ITEM NUMBER	STOCK CODE	DESCRIPTION	QTY REQD	UNIT OF MEASURE	REMARKS
1	HL6552	Luminaire, 30W LED	1	ea	
1	HL5557	PE Cell	1	ea	
2	GF1300	fuse cartridge 10 amp	1	ea	
3	HZ0131	SL fuse cut-out	1	ea	
4	HZ0135	Cut-out mounting bracket	1	ea	

DM45_3B_HGN Kensington 30W LED Luminaire Hawthorn Green (equiv 70W MH & HPS)					
ITEM NUMBER	STOCK CODE	DESCRIPTION	QTY REQD	UNIT OF MEASURE	REMARKS
1	HL6455	Luminaire, 30W LED	1	ea	
1	HL5557	PE Cell	1	ea	
2	GF1300	fuse cartridge 10 amp	1	ea	
3	HZ0131	SL fuse cut-out	1	ea	
4	HZ0135	Cut-out mounting bracket	1	ea	

DM45_3N_MBL Kensington 30W LED Luminaire Mountain Blue (equiv 70W MH & HPS)					
ITEM NUMBER	STOCK CODE	DESCRIPTION	QTY REQD	UNIT OF MEASURE	REMARKS
1	HL6453	Luminaire, 30W LED	1	ea	
1	HL5557	PE Cell	1	ea	
2	GF1300	fuse cartridge 10 amp	1	ea	
3	HZ0131	SL fuse cut-out	1	ea	
4	HZ0135	Cut-out mounting bracket	1	ea	

DM45_3N_CGN Kensington 30W LED Luminaire Caulfield Green (equiv 70W MH & HPS)					
ITEM NUMBER	STOCK CODE	DESCRIPTION	QTY REQD	UNIT OF MEASURE	REMARKS
1	HL6459	Luminaire, 30W LED	1	ea	
1	HL5557	PE Cell	1	ea	
2	GF1300	fuse cartridge 10 amp	1	ea	
3	HZ0131	SL fuse cut-out	1	ea	
4	HZ0135	Cut-out mounting bracket	1	ea	

CU	CU Description
-----------	-----------------------

DM45_3N_SBL Kensington 30W LED Luminaire Space Blue (equiv 70W MH & HPS)					
ITEM NUMBER	STOCK CODE	DESCRIPTION	QTY REQD	UNIT OF MEASURE	REMARKS
1	HL6458	Luminaire, 30W LED	1	ea	
1	HL5557	PE Cell	1	ea	
2	GF1300	fuse cartridge 10 amp	1	ea	
3	HZ0131	SL fuse cut-out	1	ea	
4	HZ0135	Cut-out mounting bracket	1	ea	

DM45_3N_AGY Kensington 30W LED Luminaire Armor Grey (equiv 70W MH & HPS)					
ITEM NUMBER	STOCK CODE	DESCRIPTION	QTY REQD	UNIT OF MEASURE	REMARKS
1	HL6450	Luminaire, 30W LED	1	ea	
1	HL5557	PE Cell	1	ea	
2	GF1300	fuse cartridge 10 amp	1	ea	
3	HZ0131	SL fuse cut-out	1	ea	
4	HZ0135	Cut-out mounting bracket	1	ea	

DM45_3N_MER Kensington 30W LED Luminaire Merino (equiv 70W MH & HPS)					
ITEM NUMBER	STOCK CODE	DESCRIPTION	QTY REQD	UNIT OF MEASURE	REMARKS
1	HL6450	Luminaire, 30W LED	1	ea	
1	HL5557	PE Cell	1	ea	
2	GF1300	fuse cartridge 10 amp	1	ea	
3	HZ0131	SL fuse cut-out	1	ea	
4	HZ0135	Cut-out mounting bracket	1	ea	

DM45_3N_MGN Kensington 30W LED Luminaire Mist Green (equiv 70W MH & HPS)					
ITEM NUMBER	STOCK CODE	DESCRIPTION	QTY REQD	UNIT OF MEASURE	REMARKS
1	HL6450	Luminaire, 30W LED	1	ea	
1	HL5557	PE Cell	1	ea	
2	GF1300	fuse cartridge 10 amp	1	ea	
3	HZ0131	SL fuse cut-out	1	ea	
4	HZ0135	Cut-out mounting bracket	1	ea	

DM45_3N_TEL Kensington 30W LED Luminaire Teal (equiv 70W MH & HPS)					
ITEM NUMBER	STOCK CODE	DESCRIPTION	QTY REQD	UNIT OF MEASURE	REMARKS
1	HL6450	Luminaire, 30W LED	1	ea	
1	HL5557	PE Cell	1	ea	
2	GF1300	fuse cartridge 10 amp	1	ea	
3	HZ0131	SL fuse cut-out	1	ea	
4	HZ0135	Cut-out mounting bracket	1	ea	

CU	CU Description
-----------	-----------------------

DM45_3N_TRD Kensington 30W LED Luminaire Tuscan Red (equiv 70W MH & HPS)					
ITEM NUMBER	STOCK CODE	DESCRIPTION	QTY REQD	UNIT OF MEASURE	REMARKS
1	HL6450	Luminaire, 30W LED	1	ea	
1	HL5557	PE Cell	1	ea	
2	GF1300	fuse cartridge 10 amp	1	ea	
3	HZ0131	SL fuse cut-out	1	ea	
4	HZ0135	Cut-out mounting bracket	1	ea	

DM103_1N_EBY Kensington 16W LED Luminaire Ebony/Black (equiv 42W CFL)					
ITEM NUMBER	STOCK CODE	DESCRIPTION	QTY REQD	UNIT OF MEASURE	REMARKS
1	HL6431	Luminaire Ebony Black	1	ea	
1	HL5557	PE Cell	1	ea	
2	GF1300	fuse cartridge 10 amp	1	ea	
3	HZ0131	SL fuse cut-out	1	ea	
4	HZ0135	Cut-out mounting bracket	1	ea	

DM103_1N_OWT Kensington 16W LED Luminaire Off White/Surf Mist (equiv 42W CFL)					
ITEM NUMBER	STOCK CODE	DESCRIPTION	QTY REQD	UNIT OF MEASURE	REMARKS
1	HL6437	Luminaire	1	ea	
1	HL5557	PE Cell	1	ea	
2	GF1300	fuse cartridge 10 amp	1	ea	
3	HZ0131	SL fuse cut-out	1	ea	
4	HZ0135	Cut-out mounting bracket	1	ea	

DM103_1N_GGY Kensington 16W LED Luminaire Gull Grey (equiv 42W CFL)					
ITEM NUMBER	STOCK CODE	DESCRIPTION	QTY REQD	UNIT OF MEASURE	REMARKS
1	HL6436	Luminaire	1	ea	
1	HL5557	PE Cell	1	ea	
2	GF1300	fuse cartridge 10 amp	1	ea	
3	HZ0131	SL fuse cut-out	1	ea	
4	HZ0135	Cut-out mounting bracket	1	ea	

CU	CU Description
-----------	-----------------------

DM103_1N_SGY Kensington 16W LED Luminaire Slate Grey (equiv 42W CFL)					
ITEM NUMBER	STOCK CODE	DESCRIPTION	QTY REQD	UNIT OF MEASURE	REMARKS
1	HL6434	Luminaire	1	ea	
1	HL5557	PE Cell	1	ea	
2	GF1300	fuse cartridge 10 amp	1	ea	
3	HZ0131	SL fuse cut-out	1	ea	
4	HZ0135	Cut-out mounting bracket	1	ea	

DM103_1N_HRD Kensington 16W LED Luminaire Heritage Red (equiv 42W CFL)					
ITEM NUMBER	STOCK CODE	DESCRIPTION	QTY REQD	UNIT OF MEASURE	REMARKS
1	HL6432	Luminaire	1	ea	
1	HL5557	PE Cell	1	ea	
2	GF1300	fuse cartridge 10 amp	1	ea	
3	HZ0131	SL fuse cut-out	1	ea	
4	HZ0135	Cut-out mounting bracket	1	ea	

DM103_1N_HGN Kensington 16W LED Luminaire Hawthorn Green (equiv 42W CFL)					
ITEM NUMBER	STOCK CODE	DESCRIPTION	QTY REQD	UNIT OF MEASURE	REMARKS
1	HL6435	Luminaire	1	ea	
1	HL5557	PE Cell	1	ea	
2	GF1300	fuse cartridge 10 amp	1	ea	
3	HZ0131	SL fuse cut-out	1	ea	
4	HZ0135	Cut-out mounting bracket	1	ea	

DM103_1N_MBL Kensington 16W LED Luminaire Mountain Blue (equiv 42W CFL)					
ITEM NUMBER	STOCK CODE	DESCRIPTION	QTY REQD	UNIT OF MEASURE	REMARKS
1	HL6433	Luminaire	1	ea	
1	HL5557	PE Cell	1	ea	
2	GF1300	fuse cartridge 10 amp	1	ea	
3	HZ0131	SL fuse cut-out	1	ea	
4	HZ0135	Cut-out mounting bracket	1	ea	

CU	CU Description
-----------	-----------------------

DM103_1N_CGN Kensington 16W LED Luminaire Caulfield Green (equiv 42W CFL)					
ITEM NUMBER	STOCK CODE	DESCRIPTION	QTY REQD	UNIT OF MEASURE	REMARKS
1	HL6439	Luminaire	1	ea	
1	HL5557	PE Cell	1	ea	
2	GF1300	fuse cartridge 10 amp	1	ea	
3	HZ0131	SL fuse cut-out	1	ea	
4	HZ0135	Cut-out mounting bracket	1	ea	

DM103_1N_SBL Kensington 16W LED Luminaire Space Blue (equiv 42W CFL)					
ITEM NUMBER	STOCK CODE	DESCRIPTION	QTY REQD	UNIT OF MEASURE	REMARKS
1	HL6438	Luminaire	1	ea	
1	HL5557	PE Cell	1	ea	
2	GF1300	fuse cartridge 10 amp	1	ea	
3	HZ0131	SL fuse cut-out	1	ea	
4	HZ0135	Cut-out mounting bracket	1	ea	

DM103_1N_AGY Kensington 16W LED Luminaire Armour Grey (equiv 42W CFL)					
ITEM NUMBER	STOCK CODE	DESCRIPTION	QTY REQD	UNIT OF MEASURE	REMARKS
1	HL6430	Luminaire, specify colour	1	ea	
1	HL5557	PE Cell	1	ea	
2	GF1300	fuse cartridge 10 amp	1	ea	
3	HZ0131	SL fuse cut-out	1	ea	
4	HZ0135	Cut-out mounting bracket	1	ea	

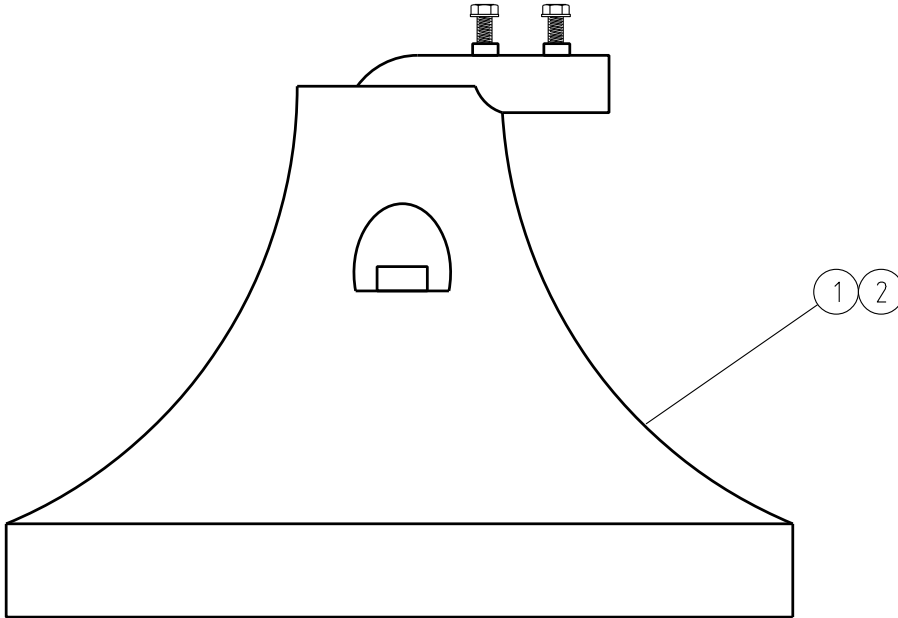
DM103_1N_MER Kensington 16W LED Luminaire Merino (equiv 42W CFL)					
ITEM NUMBER	STOCK CODE	DESCRIPTION	QTY REQD	UNIT OF MEASURE	REMARKS
1	HL6430	Luminaire, specify colour	1	ea	
1	HL5557	PE Cell	1	ea	
2	GF1300	fuse cartridge 10 amp	1	ea	
3	HZ0131	SL fuse cut-out	1	ea	
4	HZ0135	Cut-out mounting bracket	1	ea	

DM103_1N_MGN Kensington 16W LED Luminaire Mist Green (equiv 42W CFL)					
ITEM NUMBER	STOCK CODE	DESCRIPTION	QTY REQD	UNIT OF MEASURE	REMARKS
1	HL6430	Luminaire, specify colour	1	ea	
1	HL5557	PE Cell	1	ea	
2	GF1300	fuse cartridge 10 amp	1	ea	
3	HZ0131	SL fuse cut-out	1	ea	
4	HZ0135	Cut-out mounting bracket	1	ea	

CU	CU Description
-----------	-----------------------

DM103_1N_TEL Kensington 16W LED Luminaire Teal (equiv 42W CFL)					
ITEM NUMBER	STOCK CODE	DESCRIPTION	QTY REQD	UNIT OF MEASURE	REMARKS
1	HL6430	Luminaire, specify colour	1	ea	
1	HL5557	PE Cell	1	ea	
2	GF1300	fuse cartridge 10 amp	1	ea	
3	HZ0131	SL fuse cut-out	1	ea	
4	HZ0135	Cut-out mounting bracket	1	ea	

DM103_1N_TRD Kensington 16W LED Luminaire Tuscan Red (equiv 42W CFL)					
ITEM NUMBER	STOCK CODE	DESCRIPTION	QTY REQD	UNIT OF MEASURE	REMARKS
1	HL6430	Luminaire, specify colour	1	ea	
1	HL5557	PE Cell	1	ea	
2	GF1300	fuse cartridge 10 amp	1	ea	
3	HZ0131	SL fuse cut-out	1	ea	
4	HZ0135	Cut-out mounting bracket	1	ea	



NOTES:-

1. REFER TO COLOUR INDEX (DM-SPEC) FOR AVAILABLE COLOUR RANGE.
2. REFER TO DM-COMP FOR STOCK CODE COMPARISON.

				COMPATIBLE UNIT			DISTRIBUTION DESIGN CATALOGUE			
E	08.03.24	TABLE DELETED AND NOTES REVISED		JT	ML	CO	TITLE	DRAWN: JRR	DATE: 01-04-2014	DRG. No.
D	06.05.22	TABLE REVISED		SH	REE	GS	PARKVILLE LUMINAIRE	ORIGINATED:	SCALE: NTS	DM48, 49
C	29.11.18	TABLE REVISED		REE	NN	GS		CHECKED: REE		& 62
B	07.09.18	LED ADDED		REE	CO	GS		APPROVED: GRANT STACY	REV. E	SHT.
A	04.11.10	ORIGINAL ISSUE								
REV	DATE	DESCRIPTION		ORGD.	CHKD.	APRD.				

Colour Temperature 4000K

CU	CU Description
-----------	-----------------------

DM48_4C_EBY Parkville 80W LED Luminaire Ebony/Black (equiv 150W HPS & MH)					
ITEM NUMBER	STOCK CODE	DESCRIPTION	QTY REQD	UNIT OF MEASURE	REMARKS
1	HL6561	Luminaire Ebony Black	1	ea	
2	HL5557	PE Cell	1	ea	

DM48_4C_OWT Parkville 80W LED Luminaire Off White/ Surf Mist (equiv 150W HPS & MH)					
ITEM NUMBER	STOCK CODE	DESCRIPTION	QTY REQD	UNIT OF MEASURE	REMARKS
1	HL6567	Luminaire Off White/Surf Mist	1	ea	
2	HL5557	PE Cell	1	ea	

DM48_4C_GGY Parkville 80W LED Luminaire Gull Grey (equiv 150W HPS & MH)					
ITEM NUMBER	STOCK CODE	DESCRIPTION	QTY REQD	UNIT OF MEASURE	REMARKS
1	HL6566	Luminaire Gull Grey	1	ea	
3	HL5557	PE Cell	1	ea	

DM48_4C_SGY Parkville 80W LED Luminaire Slate Grey (equiv 150W HPS & MH)					
ITEM NUMBER	STOCK CODE	DESCRIPTION	QTY REQD	UNIT OF MEASURE	REMARKS
1	HL6564	Luminaire Slate Grey	1	ea	
2	HL5557	PE Cell	1	ea	

DM48_4C_HRD Parkville 80W LED Luminaire Heritage Red (equiv 150W HPS & MH)					
ITEM NUMBER	STOCK CODE	DESCRIPTION	QTY REQD	UNIT OF MEASURE	REMARKS
1	HL6562	Luminaire Heritage Red	1	ea	
2	HL5557	PE Cell	1	ea	

DM48_4C_HGN Parkville 80W LED Luminaire Hawthorn Green (equiv 150W HPS & MH)					
ITEM NUMBER	STOCK CODE	DESCRIPTION	QTY REQD	UNIT OF MEASURE	REMARKS
1	HL6565	Luminaire Hawthorn Green	1	ea	
2	HL5557	PE Cell	1	ea	

CU	CU Description
-----------	-----------------------

DM48_4C_MBL Parkville 80W LED Luminaire Mountain Blue (equiv 150W HPS & MH)					
ITEM NUMBER	STOCK CODE	DESCRIPTION	QTY REQD	UNIT OF MEASURE	REMARKS
1	HL6563	Luminaire Mountain Blue	1	ea	
2	HL5557	PE Cell	1	ea	

DM48_4C_CGN Parkville 80W LED Luminaire Caulfield Green (equiv 150W HPS & MH)					
ITEM NUMBER	STOCK CODE	DESCRIPTION	QTY REQD	UNIT OF MEASURE	REMARKS
1	HL6569	Luminaire Caulfield Green	1	ea	
2	HL5557	PE Cell	1	ea	

DM48_4C_SBL Parkville 80W LED Luminaire Space Blue (equiv 150W HPS & MH)					
ITEM NUMBER	STOCK CODE	DESCRIPTION	QTY REQD	UNIT OF MEASURE	REMARKS
1	HL6568	Luminaire Space Blue	1	ea	
2	HL5557	PE Cell	1	ea	

DM48_4C_AGY Parkville 80W LED Luminaire Armour Grey (equiv 150W HPS & MH)					
ITEM NUMBER	STOCK CODE	DESCRIPTION	QTY REQD	UNIT OF MEASURE	REMARKS
1	HL6560	Luminaire Armour Grey	1	ea	
2	HL5557	PE Cell	1	ea	

DM48_4C_MER Parkville 80W LED Luminaire Merino (equiv 150W HPS & MH)					
ITEM NUMBER	STOCK CODE	DESCRIPTION	QTY REQD	UNIT OF MEASURE	REMARKS
1	HL6560	Luminaire Merino	1	ea	
2	HL5557	PE Cell	1	ea	

DM48_4C_MGN Parkville 80W LED Mist green (equiv 150W HPS & MH)					
ITEM NUMBER	STOCK CODE	DESCRIPTION	QTY REQD	UNIT OF MEASURE	REMARKS
1	HL6560	Luminaire Mist Green	1	ea	
2	HL5557	PE Cell	1	ea	

DM48_4C_TEL Parkville 80W LED Luminaire Teal (equiv 150W HPS & MH)					
ITEM NUMBER	STOCK CODE	DESCRIPTION	QTY REQD	UNIT OF MEASURE	REMARKS
1	HL6560	Luminaire Teal	1	ea	
2	HL5557	PE Cell	1	ea	

CU	CU Description
-----------	-----------------------

DM48_4C_TRD Parkville 80W LED Luminaire Tuscan Red (equiv 150W HPS & MH)					
ITEM NUMBER	STOCK CODE	DESCRIPTION	QTY REQD	UNIT OF MEASURE	REMARKS
1	HL6560	Luminaire Tuscan Red	1	ea	
2	HL5557	PE Cell	1	ea	

DM49_6C_EBY Parkville 150W LED Luminaire Ebony/Black (equiv 250W HPS)					
ITEM NUMBER	STOCK CODE	DESCRIPTION	QTY REQD	UNIT OF MEASURE	REMARKS
1	HL6581	Luminaire Ebony/Black	1	ea	
2	HL5557	PE Cell	1	ea	

DM49_6C_OWT Parkville 150W LED Luminaire Off White/Surf Mist (equiv 250W HPS)					
ITEM NUMBER	STOCK CODE	DESCRIPTION	QTY REQD	UNIT OF MEASURE	REMARKS
1	HL6587	Luminaire Off White/Surf Mist	1	ea	
2	HL5557	PE Cell	1	ea	

DM49_6C_GGY Parkville 150W LED Luminaire Gull Grey (equiv 250W HPS)					
ITEM NUMBER	STOCK CODE	DESCRIPTION	QTY REQD	UNIT OF MEASURE	REMARKS
1	HL6586	Luminaire Gull Grey	1	ea	
2	HL5557	PE Cell	1	ea	

DM49_6C_SGY Parkville 150W LED Luminaire Slate Grey (equiv 250W HPS)					
ITEM NUMBER	STOCK CODE	DESCRIPTION	QTY REQD	UNIT OF MEASURE	REMARKS
1	HL6584	Luminaire Slate Grey	1	ea	
2	HL5557	PE Cell	1	ea	

DM49_6C_HRD Parkville 150W LED Luminaire Heritage Red (equiv 250W HPS)					
ITEM NUMBER	STOCK CODE	DESCRIPTION	QTY REQD	UNIT OF MEASURE	REMARKS
1	HL6582	Luminaire Heritage Red	1	ea	
2	HL5557	PE Cell	1	ea	

DM49_6C_HGN Parkville 150W LED Luminaire Hawthorn Green (equiv 250W HPS)					
ITEM NUMBER	STOCK CODE	DESCRIPTION	QTY REQD	UNIT OF MEASURE	REMARKS
1	HL6585	Luminaire Hawthorn Green	1	ea	
2	HL5557	PE Cell	1	ea	

CU	CU Description
-----------	-----------------------

DM49_6C_MBL	Parkville 150W LED Luminaire Mountain Blue (equiv 250W HPS)
--------------------	--

ITEM NUMBER	STOCK CODE	DESCRIPTION	QTY REQD	UNIT OF MEASURE	REMARKS
1	HL6583	Luminaire Mountain Blue	1	ea	
2	HL5557	PE Cell	1	ea	

DM49_6C_CGN	Parkville 150W LED Luminaire Caulfield Green (equiv 250W HPS)
--------------------	--

ITEM NUMBER	STOCK CODE	DESCRIPTION	QTY REQD	UNIT OF MEASURE	REMARKS
1	HL6589	Luminaire Caulfield Green	1	ea	
2	HL5557	PE Cell	1	ea	

DM49_6C_SBL	Parkville 150W LED Luminaire Space Blue (equiv 250W HPS)
--------------------	---

ITEM NUMBER	STOCK CODE	DESCRIPTION	QTY REQD	UNIT OF MEASURE	REMARKS
1	HL6588	Luminaire Space Blue	1	ea	
2	HL5557	PE Cell	1	ea	

DM49_6C_AGY	Parkville 150W LED Luminaire Armour Grey (equiv 250W HPS)
--------------------	--

ITEM NUMBER	STOCK CODE	DESCRIPTION	QTY REQD	UNIT OF MEASURE	REMARKS
1	HL6580	Luminaire Armour Grey	1	ea	
2	HL5557	PE Cell	1	ea	

DM49_6C_MER	Parkville 150W LED Luminaire Merino (equiv 250W HPS)
--------------------	---

ITEM NUMBER	STOCK CODE	DESCRIPTION	QTY REQD	UNIT OF MEASURE	REMARKS
1	HL6580	Luminaire Merino	1	ea	
2	HL5557	PE Cell	1	ea	

DM49_6C_MGN	Parkville 150W LED Luminaire Mist Green (equiv 250W HPS)
--------------------	---

ITEM NUMBER	STOCK CODE	DESCRIPTION	QTY REQD	UNIT OF MEASURE	REMARKS
1	HL6580	Luminaire Mist Green	1	ea	
2	HL5557	PE Cell	1	ea	

DM49_6C_TEL	Parkville 150W LED Luminaire Teal (equiv 250W HPS)
--------------------	---

ITEM NUMBER	STOCK CODE	DESCRIPTION	QTY REQD	UNIT OF MEASURE	REMARKS
1	HL6580	Luminaire Teal	1	ea	
2	HL5557	PE Cell	1	ea	

CU	CU Description
-----------	-----------------------

DM49_6C_TRD Parkville 150W LED Luminaire Tuscan Red (equiv 250W HPS)					
ITEM NUMBER	STOCK CODE	DESCRIPTION	QTY REQD	UNIT OF MEASURE	REMARKS
1	HL6580	Luminaire Tuscan Red	1	ea	
2	HL5557	PE Cell	1	ea	

DM62_5C_EBY Parkville 100W LED Luminaire Ebony/Black (equiv 250W MH)					
ITEM NUMBER	STOCK CODE	DESCRIPTION	QTY REQD	UNIT OF MEASURE	REMARKS
1	HL6571	Luminaire Ebony/Black	1	ea	
2	HL5557	PE Cell	1	ea	

DM62_5C_OWT Parkville 100W LED Luminaire Off White/Surf Mist (equiv 250W MH)					
ITEM NUMBER	STOCK CODE	DESCRIPTION	QTY REQD	UNIT OF MEASURE	REMARKS
1	HL6577	Luminaire Off White/Surf Mist	1	ea	
2	HL5557	PE Cell	1	ea	

DM62_5C_GGY Parkville 100W LED Luminaire Gull Grey (equiv 250W MH)					
ITEM NUMBER	STOCK CODE	DESCRIPTION	QTY REQD	UNIT OF MEASURE	REMARKS
1	HL6576	Luminaire Gull Grey	1	ea	
2	HL5557	PE Cell	1	ea	

DM62_5C_SGY Parkville 100W LED Luminaire Slate Grey (equiv 250W MH)					
ITEM NUMBER	STOCK CODE	DESCRIPTION	QTY REQD	UNIT OF MEASURE	REMARKS
1	HL6574	Luminaire Slate Grey	1	ea	
2	HL5557	PE Cell	1	ea	

DM62_5C_HRD Parkville 100W LED Luminaire Heritage Red (equiv 250W MH)					
ITEM NUMBER	STOCK CODE	DESCRIPTION	QTY REQD	UNIT OF MEASURE	REMARKS
1	HL6572	Luminaire Heritage Red	1	ea	
2	HL5557	PE Cell	1	ea	

DM62_5C_HGN Parkville 100W LED Luminaire Hawthorn Green (equiv 250W MH)					
ITEM NUMBER	STOCK CODE	DESCRIPTION	QTY REQD	UNIT OF MEASURE	REMARKS
1	HL6575	Luminaire Hawthorn Green	1	ea	
2	HL5557	PE Cell	1	ea	

CU	CU Description
-----------	-----------------------

DM62_5C_MBL Parkville 100W LED Luminaire Mountain Blue (equiv 250W MH)					
ITEM NUMBER	STOCK CODE	DESCRIPTION	QTY REQD	UNIT OF MEASURE	REMARKS
1	HL6573	Luminaire Mountain Blue	1	ea	
2	HL5557	PE Cell	1	ea	

DM62_5C_CGN Parkville 100W LED Luminaire Caulfield Green (equiv 250W MH)					
ITEM NUMBER	STOCK CODE	DESCRIPTION	QTY REQD	UNIT OF MEASURE	REMARKS
1	HL6579	Luminaire Caulfield Green	1	ea	
2	HL5557	PE Cell	1	ea	

DM62_5C_SBL Parkville 100W LED Luminaire Space Blue (equiv 250W MH)					
ITEM NUMBER	STOCK CODE	DESCRIPTION	QTY REQD	UNIT OF MEASURE	REMARKS
1	HL6578	Luminaire Space Blue	1	ea	
2	HL5557	PE Cell	1	ea	

DM62_5C_AGY Parkville 100W LED Luminaire Armour Grey (equiv 250W MH)					
ITEM NUMBER	STOCK CODE	DESCRIPTION	QTY REQD	UNIT OF MEASURE	REMARKS
1	HL6570	Luminaire Armour Grey	1	ea	
2	HL5557	PE Cell	1	ea	

DM62_5C_MER Parkville 100W LED Luminaire Merino (equiv 250W MH)					
ITEM NUMBER	STOCK CODE	DESCRIPTION	QTY REQD	UNIT OF MEASURE	REMARKS
1	HL6570	Luminaire Merino	1	ea	
2	HL5557	PE Cell	1	ea	

DM62_5C_MGN Parkville 100W LED Luminaire Mist Green (equiv 250W MH)					
ITEM NUMBER	STOCK CODE	DESCRIPTION	QTY REQD	UNIT OF MEASURE	REMARKS
1	HL6570	Luminaire Mist Green	1	ea	
2	HL5557	PE Cell	1	ea	

DM62_5C_TEL Parkville 100W LED Luminaire Teal (equiv 250W MH)					
ITEM NUMBER	STOCK CODE	DESCRIPTION	QTY REQD	UNIT OF MEASURE	REMARKS
1	HL6570	Luminaire Teal	1	ea	
2	HL5557	PE Cell	1	ea	

CU	CU Description
-----------	-----------------------

DM62_5C_TRD Parkville 100W LED Luminaire Tuscan Red (equiv 250W MH)					
ITEM NUMBER	STOCK CODE	DESCRIPTION	QTY REQD	UNIT OF MEASURE	REMARKS
1	HL6570	Luminaire Tuscan Red	1	ea	
2	HL5557	PE Cell	1	ea	

Colour Temperature 3000K

DM48_4P_EBY Parkville 80W LED Luminaire Ebony/Black (equiv 150W HPS & MH)					
ITEM NUMBER	STOCK CODE	DESCRIPTION	QTY REQD	UNIT OF MEASURE	REMARKS
1	HL6461	Luminaire Ebony Black	1	ea	
2	HL5557	PE Cell	1	ea	

DM48_4P_OWT Parkville 80W LED Luminaire Off White/ Surf Mist (equiv 150W HPS & MH)					
ITEM NUMBER	STOCK CODE	DESCRIPTION	QTY REQD	UNIT OF MEASURE	REMARKS
1	HL6467	Luminaire Off White/Surf Mist	1	ea	
2	HL5557	PE Cell	1	ea	

DM48_4P_GGY Parkville 80W LED Luminaire Gull Grey (equiv 150W HPS & MH)					
ITEM NUMBER	STOCK CODE	DESCRIPTION	QTY REQD	UNIT OF MEASURE	REMARKS
1	HL6466	Luminaire Gull Grey	1	ea	
3	HL5557	PE Cell	1	ea	

DM48_4P_SGY Parkville 80W LED Luminaire Slate Grey (equiv 150W HPS & MH)					
ITEM NUMBER	STOCK CODE	DESCRIPTION	QTY REQD	UNIT OF MEASURE	REMARKS
1	HL6464	Luminaire Slate Grey	1	ea	
2	HL5557	PE Cell	1	ea	

DM48_4P_HRD Parkville 80W LED Luminaire Heritage Red (equiv 150W HPS & MH)					
ITEM NUMBER	STOCK CODE	DESCRIPTION	QTY REQD	UNIT OF MEASURE	REMARKS
1	HL6462	Luminaire Heritage Red	1	ea	
2	HL5557	PE Cell	1	ea	

CU	CU Description
-----------	-----------------------

DM48_4P_HGN Parkville 80W LED Luminaire Hawthorn Green (equiv 150W HPS & MH)					
ITEM NUMBER	STOCK CODE	DESCRIPTION	QTY REQD	UNIT OF MEASURE	REMARKS
1	HL6465	Luminaire Hawthorn Green	1	ea	
2	HL5557	PE Cell	1	ea	

DM48_4P_MBL Parkville 80W LED Luminaire Mountain Blue (equiv 150W HPS & MH)					
ITEM NUMBER	STOCK CODE	DESCRIPTION	QTY REQD	UNIT OF MEASURE	REMARKS
1	HL6463	Luminaire Mountain Blue	1	ea	
2	HL5557	PE Cell	1	ea	

DM48_4P_CGN Parkville 80W LED Luminaire Caulfield Green (equiv 150W HPS & MH)					
ITEM NUMBER	STOCK CODE	DESCRIPTION	QTY REQD	UNIT OF MEASURE	REMARKS
1	HL6469	Luminaire Caulfield Green	1	ea	
2	HL5557	PE Cell	1	ea	

DM48_4P_SBL Parkville 80W LED Luminaire Space Blue (equiv 150W HPS & MH)					
ITEM NUMBER	STOCK CODE	DESCRIPTION	QTY REQD	UNIT OF MEASURE	REMARKS
1	HL6468	Luminaire Space Blue	1	ea	
2	HL5557	PE Cell	1	ea	

DM48_4P_AGY Parkville 80W LED Luminaire Armour Grey (equiv 150W HPS & MH)					
ITEM NUMBER	STOCK CODE	DESCRIPTION	QTY REQD	UNIT OF MEASURE	REMARKS
1	HL6460	Luminaire Armour Grey	1	ea	
2	HL5557	PE Cell	1	ea	

DM48_4P_MER Parkville 80W LED Luminaire Merino (equiv 150W HPS & MH)					
ITEM NUMBER	STOCK CODE	DESCRIPTION	QTY REQD	UNIT OF MEASURE	REMARKS
1	HL6460	Luminaire Merino	1	ea	
2	HL5557	PE Cell	1	ea	

DM48_4P_MGN Parkville 80W LED Luminaire Mist green (equiv 150W HPS & MH)					
ITEM NUMBER	STOCK CODE	DESCRIPTION	QTY REQD	UNIT OF MEASURE	REMARKS
1	HL6460	Luminaire Mist Green	1	ea	
2	HL5557	PE Cell	1	ea	

CU	CU Description
-----------	-----------------------

DM48_4P_TEL Parkville 80W LED Luminaire Teal (equiv 150W HPS & MH)					
ITEM NUMBER	STOCK CODE	DESCRIPTION	QTY REQD	UNIT OF MEASURE	REMARKS
1	HL6460	Luminaire Teal	1	ea	
2	HL5557	PE Cell	1	ea	

DM48_4P_TRD Parkville 80W LED Luminaire Tuscan Red (equiv 150W HPS & MH)					
ITEM NUMBER	STOCK CODE	DESCRIPTION	QTY REQD	UNIT OF MEASURE	REMARKS
1	HL6460	Luminaire Tuscan Red	1	ea	
2	HL5557	PE Cell	1	ea	

DM49_6P_EBY Parkville 150W LED Luminaire Ebony/Black (equiv 250W HPS)					
ITEM NUMBER	STOCK CODE	DESCRIPTION	QTY REQD	UNIT OF MEASURE	REMARKS
1	HL6481	Luminaire Ebony/Black	1	ea	
2	HL5557	PE Cell	1	ea	

DM49_6P_OWT Parkville 150W LED Luminaire Off White/Surf Mist (equiv 250W HPS)					
ITEM NUMBER	STOCK CODE	DESCRIPTION	QTY REQD	UNIT OF MEASURE	REMARKS
1	HL6487	Luminaire Off White/Surf Mist	1	ea	
2	HL5557	PE Cell	1	ea	

DM49_6P_GGY Parkville 150W LED Luminaire Gull Grey (equiv 250W HPS)					
ITEM NUMBER	STOCK CODE	DESCRIPTION	QTY REQD	UNIT OF MEASURE	REMARKS
1	HL6486	Luminaire Gull Grey	1	ea	
2	HL5557	PE Cell	1	ea	

DM49_6P_SGY Parkville 150W LED Luminaire Slate Grey (equiv 250W HPS)					
ITEM NUMBER	STOCK CODE	DESCRIPTION	QTY REQD	UNIT OF MEASURE	REMARKS
1	HL6484	Luminaire Slate Grey	1	ea	
2	HL5557	PE Cell	1	ea	

DM49_6P_HRD Parkville 150W LED Luminaire Heritage Red (equiv 250W HPS)					
ITEM NUMBER	STOCK CODE	DESCRIPTION	QTY REQD	UNIT OF MEASURE	REMARKS
1	HL6482	Luminaire Heritage Red	1	ea	
2	HL5557	PE Cell	1	ea	

CU		CU Description			
DM49_6P_HGN Parkville 150W LED Luminaire Hawthorn Green (equiv 250W HPS)					
ITEM NUMBER	STOCK CODE	DESCRIPTION	QTY REQD	UNIT OF MEASURE	REMARKS
1	HL6485	Luminaire Hawthorn Green	1	ea	
2	HL5557	PE Cell	1	ea	
DM49_6P_MBL Parkville 150W LED Luminaire Mountain Blue (equiv 250W HPS)					
ITEM NUMBER	STOCK CODE	DESCRIPTION	QTY REQD	UNIT OF MEASURE	REMARKS
1	HL6483	Luminaire Mountain Blue	1	ea	
2	HL5557	PE Cell	1	ea	
DM49_6P_CGN Parkville 150W LED Luminaire Caulfield Green (equiv 250W HPS)					
ITEM NUMBER	STOCK CODE	DESCRIPTION	QTY REQD	UNIT OF MEASURE	REMARKS
1	HL6489	Luminaire Caulfield Green	1	ea	
2	HL5557	PE Cell	1	ea	
DM49_6P_SBL Parkville 150W LED Luminaire Space Blue (equiv 250W HPS)					
ITEM NUMBER	STOCK CODE	DESCRIPTION	QTY REQD	UNIT OF MEASURE	REMARKS
1	HL6488	Luminaire Space Blue	1	ea	
2	HL5557	PE Cell	1	ea	
DM49_6P_AGY Parkville 150W LED Luminaire Armour Grey (equiv 250W HPS)					
ITEM NUMBER	STOCK CODE	DESCRIPTION	QTY REQD	UNIT OF MEASURE	REMARKS
1	HL6480	Luminaire Armour Grey	1	ea	
2	HL5557	PE Cell	1	ea	
DM49_6P_MER Parkville 150W LED Luminaire Merino (equiv 250W HPS)					
ITEM NUMBER	STOCK CODE	DESCRIPTION	QTY REQD	UNIT OF MEASURE	REMARKS
1	HL6480	Luminaire Merino	1	ea	
2	HL5557	PE Cell	1	ea	
DM49_6P_MGN Parkville 150W LED Luminaire Mist Green (equiv 250W HPS)					
ITEM NUMBER	STOCK CODE	DESCRIPTION	QTY REQD	UNIT OF MEASURE	REMARKS
1	HL6480	Luminaire Mist Green	1	ea	
2	HL5557	PE Cell	1	ea	

CU	CU Description
-----------	-----------------------

DM49_6P_TEL Parkville 150W LED Luminaire Teal (equiv 250W HPS)					
ITEM NUMBER	STOCK CODE	DESCRIPTION	QTY REQD	UNIT OF MEASURE	REMARKS
1	HL6480	Luminaire Teal	1	ea	
2	HL5557	PE Cell	1	ea	

DM49_6P_TRD Parkville 150W LED Luminaire Tuscan Red (equiv 250W HPS)					
ITEM NUMBER	STOCK CODE	DESCRIPTION	QTY REQD	UNIT OF MEASURE	REMARKS
1	HL6480	Luminaire Tuscan Red	1	ea	
2	HL5557	PE Cell	1	ea	

DM62_5P_EBY Parkville 100W LED Luminaire Ebony/Black (equiv 250W MH)					
ITEM NUMBER	STOCK CODE	DESCRIPTION	QTY REQD	UNIT OF MEASURE	REMARKS
1	HL6471	Luminaire Ebony/Black	1	ea	
2	HL5557	PE Cell	1	ea	

DM62_5P_OWT Parkville 100W LED Luminaire Off White/Surf Mist (equiv 250W MH)					
ITEM NUMBER	STOCK CODE	DESCRIPTION	QTY REQD	UNIT OF MEASURE	REMARKS
1	HL6477	Luminaire Off White/Surf Mist	1	ea	
2	HL5557	PE Cell	1	ea	

DM62_5P_GGY Parkville 100W LED Luminaire Gull Grey (equiv 250W MH)					
ITEM NUMBER	STOCK CODE	DESCRIPTION	QTY REQD	UNIT OF MEASURE	REMARKS
1	HL6476	Luminaire Gull Grey	1	ea	
2	HL5557	PE Cell	1	ea	

DM62_5P_SGY Parkville 100W LED Luminaire Slate Grey (equiv 250W MH)					
ITEM NUMBER	STOCK CODE	DESCRIPTION	QTY REQD	UNIT OF MEASURE	REMARKS
1	HL6474	Luminaire Slate Grey	1	ea	
2	HL5557	PE Cell	1	ea	

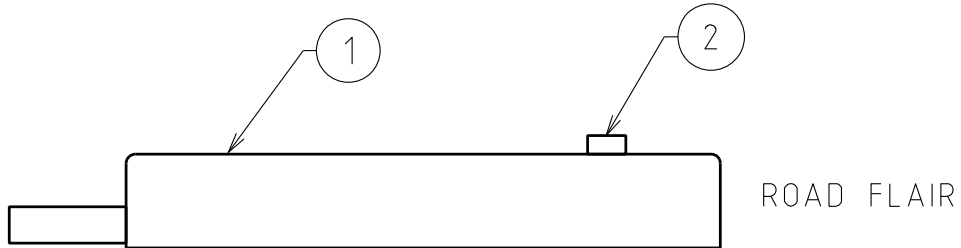
DM62_5P_HRD Parkville 100W LED Luminaire Heritage Red (equiv 250W MH)					
ITEM NUMBER	STOCK CODE	DESCRIPTION	QTY REQD	UNIT OF MEASURE	REMARKS
1	HL6472	Luminaire Heritage Red	1	ea	
2	HL5557	PE Cell	1	ea	

CU		CU Description			
DM62_5P_HGN Parkville 100W LED Luminaire Hawthorn Green (equiv 250W MH)					
ITEM NUMBER	STOCK CODE	DESCRIPTION	QTY REQD	UNIT OF MEASURE	REMARKS
1	HL6475	Luminaire Hawthorn Green	1	ea	
2	HL5557	PE Cell	1	ea	
DM62_5P_MBL Parkville 100W LED Luminaire Mountain Blue (equiv 250W MH)					
ITEM NUMBER	STOCK CODE	DESCRIPTION	QTY REQD	UNIT OF MEASURE	REMARKS
1	HL6473	Luminaire Mountain Blue	1	ea	
2	HL5557	PE Cell	1	ea	
DM62_5P_CGN Parkville 100W LED Luminaire Caulfield Green (equiv 250W MH)					
ITEM NUMBER	STOCK CODE	DESCRIPTION	QTY REQD	UNIT OF MEASURE	REMARKS
1	HL6479	Luminaire Caulfield Green	1	ea	
2	HL5557	PE Cell	1	ea	
DM62_5P_SBL Parkville 100W LED Luminaire Space Blue (equiv 250W MH)					
ITEM NUMBER	STOCK CODE	DESCRIPTION	QTY REQD	UNIT OF MEASURE	REMARKS
1	HL6478	Luminaire Space Blue	1	ea	
2	HL5557	PE Cell	1	ea	
DM62_5P_AGY Parkville 100W LED Luminaire Armour Grey (equiv 250W MH)					
ITEM NUMBER	STOCK CODE	DESCRIPTION	QTY REQD	UNIT OF MEASURE	REMARKS
1	HL6470	Luminaire Armour Grey	1	ea	
2	HL5557	PE Cell	1	ea	
DM62_5P_MER Parkville 100W LED Luminaire Merino (equiv 250W MH)					
ITEM NUMBER	STOCK CODE	DESCRIPTION	QTY REQD	UNIT OF MEASURE	REMARKS
1	HL6470	Luminaire Merino	1	ea	
2	HL5557	PE Cell	1	ea	
DM62_5P_MGN Parkville 100W LED Luminaire Mist Green (equiv 250W MH)					
ITEM NUMBER	STOCK CODE	DESCRIPTION	QTY REQD	UNIT OF MEASURE	REMARKS
1	HL6470	Luminaire Mist Green	1	ea	
2	HL5557	PE Cell	1	ea	

CU	CU Description
-----------	-----------------------

DM62_5P_TEL Parkville 100W LED Luminaire Teal (equiv 250W MH)					
ITEM NUMBER	STOCK CODE	DESCRIPTION	QTY REQD	UNIT OF MEASURE	REMARKS
1	HL6470	Luminaire Teal	1	ea	
2	HL5557	PE Cell	1	ea	

DM62_5P_TRD Parkville 100W LED Luminaire Tuscan Red (equiv 250W MH)					
ITEM NUMBER	STOCK CODE	DESCRIPTION	QTY REQD	UNIT OF MEASURE	REMARKS
1	HL6470	Luminaire Tuscan Red	1	ea	
2	HL5557	PE Cell	1	ea	



REFER TO DDC. 'SL-STD'
FOR COMPARISON TABLE

				COMPATIBLE UNIT			DISTRIBUTION DESIGN CATALOGUE			
				TITLE			DRAWN: JRR DATE: 01-04-2014		DRG. No.	
				STANDARD LUMINAIRE			ORIGINATED: SCALE: NTS		DM50 TO 57	
							CHECKED: REE		REV. SHT.	
							APPROVED: GRANT STACY			
REV	DATE	DESCRIPTION	ORGD.	CHKD.	APRD.					
I	08.03.24	TABLE REMOVED AND ADDED NOTE	JT	ML	CO					
H	20.07.22	TABLE REVISED	SH	NMc	GS					
G	28.10.21	TABLE REVISED	REE	SH	GS					
F	21.07.21	TABLE REVISED	REE	CO	GS					

Colour Temperature 4000K

CU	CU Description
-----------	-----------------------

DM50_1_1L Standard 20W LED Luminaire (equiv 42W CFL & 18W LED)					
ITEM NUMBER	STOCK CODE	DESCRIPTION	QTY REQD	UNIT OF MEASURE	REMARKS
1	HL6600	LED Luminaire	1	ea	
2	HL5557	PE Cell 3 pin NEMA	1	ea	

DM51_1_2L Standard 53W LED Luminaire (equiv 125W MV)					
ITEM NUMBER	STOCK CODE	DESCRIPTION	QTY REQD	UNIT OF MEASURE	REMARKS
1	HL6303	LED Luminaire	1	ea	Road Grace Model
2	HL5557	PE Cell 3 pin NEMA	1	ea	

DM52_1_4L Standard 80W LED Luminaire (equiv 150W HPS & MH)					
ITEM NUMBER	STOCK CODE	DESCRIPTION	QTY REQD	UNIT OF MEASURE	REMARKS
1	HL6609	LED Luminaire	1	ea	
2	HL5557	PE Cell 3 pin NEMA	1	ea	

DM53_1_6L Standard 170W LED Luminaire (equiv 250W HPS)					
ITEM NUMBER	STOCK CODE	DESCRIPTION	QTY REQD	UNIT OF MEASURE	REMARKS
1	HL6315	LED Luminaire	1	ea	
2	HL5557	PE Cell 3 pin NEMA	1	ea	

DM54_1_3L Standard 36W LED Luminaire (equiv 70W MH & HPS)					
ITEM NUMBER	STOCK CODE	DESCRIPTION	QTY REQD	UNIT OF MEASURE	REMARKS
1	HL6306	LED Luminaire	1	ea	Road Grace Model
2	HL5557	PE Cell 3 pin NEMA	1	ea	

DM56_1_5L Standard 135W LED Luminaire (equiv 250W MH)					
ITEM NUMBER	STOCK CODE	DESCRIPTION	QTY REQD	UNIT OF MEASURE	REMARKS
1	HL6612	LED Luminaire	1	ea	
2	HL5557	PE Cell 3 pin NEMA	1	ea	

Colour Temperature 3000K

DM50_1_1E Standard 16W LED Luminaire (equiv 42W CFL & 18W LED)					
ITEM NUMBER	STOCK CODE	DESCRIPTION	QTY REQD	UNIT OF MEASURE	REMARKS
1	HL6601	LED Luminaire	1	ea	
2	HL5557	PE Cell 3 pin NEMA	1	ea	

CU	CU Description
-----------	-----------------------

DM51_1_2E Standard 43W LED Luminaire (equiv 125W MV)					
ITEM NUMBER	STOCK CODE	DESCRIPTION	QTY REQD	UNIT OF MEASURE	REMARKS
1	HL6604	LED Luminaire	1	ea	
2	HL5557	PE Cell 3 pin NEMA	1	ea	

DM52_1_4E Standard 70W LED Luminaire (equiv 150W HPS & MH)					
ITEM NUMBER	STOCK CODE	DESCRIPTION	QTY REQD	UNIT OF MEASURE	REMARKS
1	HL6610	LED Luminaire	1	ea	
2	HL5557	PE Cell 3 pin NEMA	1	ea	

DM53_1_6E Standard 165W LED Luminaire (equiv 250W HPS)					
ITEM NUMBER	STOCK CODE	DESCRIPTION	QTY REQD	UNIT OF MEASURE	REMARKS
1	HL6616	LED Luminaire	1	ea	
2	HL5557	PE Cell 3 pin NEMA	1	ea	

DM54_1_3E Standard 28W LED Luminaire (equiv 70W MH & HPS)					
ITEM NUMBER	STOCK CODE	DESCRIPTION	QTY REQD	UNIT OF MEASURE	REMARKS
1	HL6607	LED Luminaire	1	ea	
2	HL5557	PE Cell 3 pin NEMA	1	ea	

DM56_1_5E Standard 140W LED Luminaire (equiv 250W MH)					
ITEM NUMBER	STOCK CODE	DESCRIPTION	QTY REQD	UNIT OF MEASURE	REMARKS
1	HL6613	LED Luminaire	1	ea	
2	HL5557	PE Cell 3 pin NEMA	1	ea	

DM57_1_2E Standard 43W LED Luminaire (equiv 125W MV)					
ITEM NUMBER	STOCK CODE	DESCRIPTION	QTY REQD	UNIT OF MEASURE	REMARKS
1	HL6605	LED Luminaire	1	ea	
2	HL5557	PE Cell 3 pin NEMA	1	ea	