



Distribution Design Catalogue

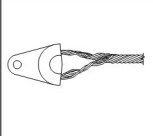

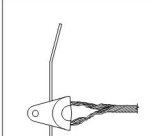
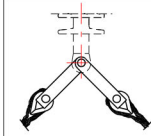
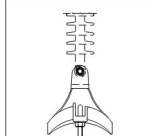
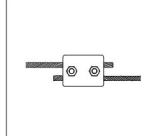
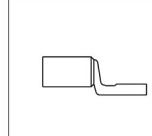
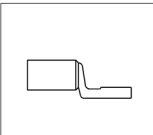
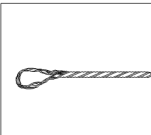
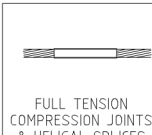
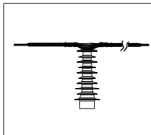
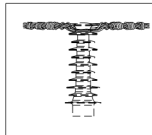
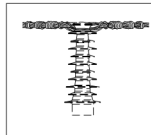
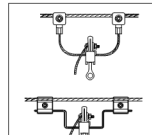


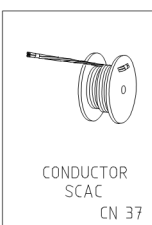
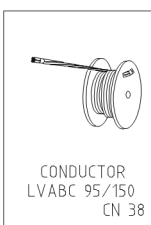
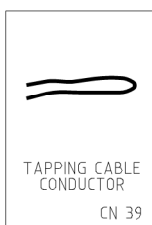
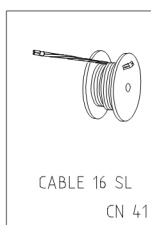
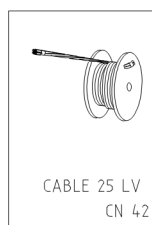
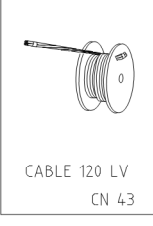
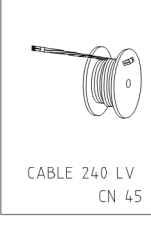
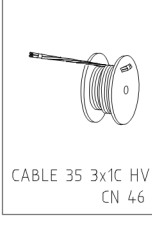
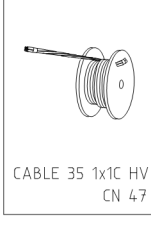
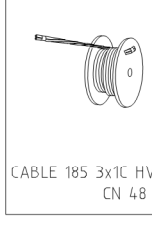
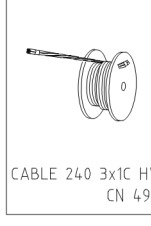
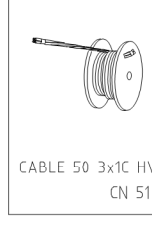

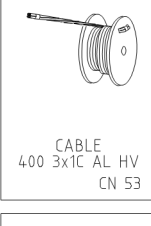
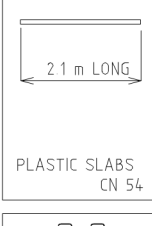
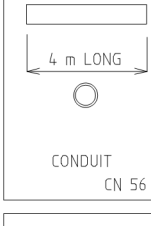
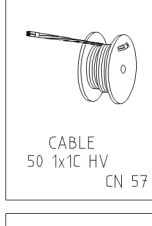
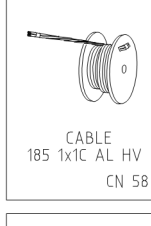
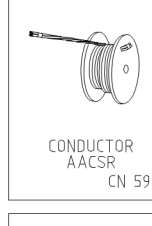
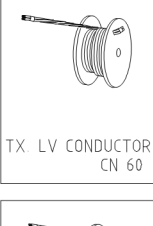

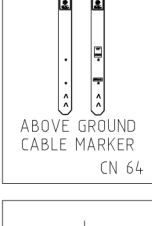
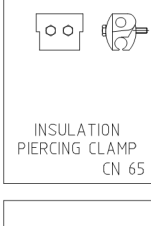
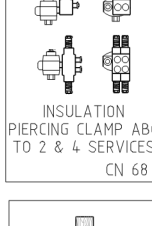
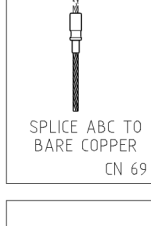

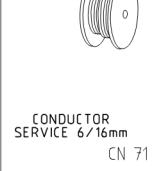

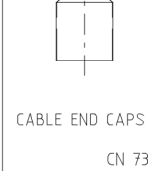


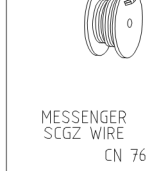
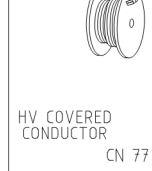
Conductors and Fittings


Section 07

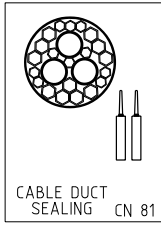
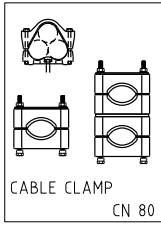
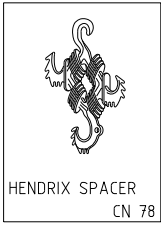
CN Drawings Revision List

CU	DATE	REVISION	DESCRIPTION OF REVISION
	Sept 2002		Original Issue
	May 2004		Refer to Amendment List
	Feb 2005		Refer to Amendment List
	Feb 2006		Refer to Amendment List
	July 2006		Refer to Amendment List
	Dec 2007		Refer to Amendment List
	Jan 2008		Refer to Amendment List
	Jul 2008		Refer to Amendment List
	May 2009		Refer to Amendment List
	Dec 2009		Refer to Amendment List and Revised Format
	Apr 2011		Refer to Amendment List
	June 2011		Refer to Amendment List
	June 2013		Refer to Amendment List
	Oct 2013		Refer to Amendment List
	Dec 2013		Refer to Amendment List
	Mar 2014		Refer to Amendment List
	May 2014		Refer to Amendment List
	Oct 2014		Refer to Amendment List
	Nov 2014		Refer to Amendment List
	Jan 2015		Refer to Amendment List
	Feb 2015		Refer to Amendment List
	April 2015		Refer to Amendment List
	Aug 2015		Refer to Amendment List
	Nov 2015		Refer to Amendment List
	Apr 2016		Refer to Amendment List
	June 2016		Refer to Amendment List
	Aug 2016		Refer to Amendment List
	Oct 2016		Refer to Amendment List
	Nov 2016		Refer to Amendment List
	June 2017		Refer to Amendment List
	July 2017		Refer to Amendment List
	Dec 2017		Refer to Amendment List
	Aug 2018		Refer to Amendment List
	Oct 2018		Refer to Amendment List
	Jun 2019		Refer to Amendment List
	Sep 2019		Refer to Amendment List
	Dec 2019		Refer to Amendment List
	Jun 2020		Refer to Amendment List
	Sept 2020		Refer to Amendment List
	Nov 2020		Refer to Amendment List
	Jan 2021		Refer to Amendment List

	Jun 2021		Refer to Amendment List
	Jul 2022		Refer to Amendment List
	Sep 2022		Refer to Amendment List
	Dec 2022		Refer to Amendment List
	Jul 2023		Refer to Amendment List

 TERMINATION AAC/AAAC & SCAC CN 1	 TERMINATION SCGZ & CU CN 4	 CLEVIS TER. FOR PTS - SCGZ & CU CN 5	 ANGLE ASSEMBLY SC/GZ, SC/AC & CU CN 6	 ANGLE CLAMP AAC/AAAC CN 8	 PG CLAMP CN 9	 LUG BI-METAL M10 HOLE CN 10
 LUG BI-METAL M12 HOLE CN 11	 HELICAL TERMIN CN 13	 FULL TENSION COMPRESSION JOINTS & HELICAL SPLICES FOR BARE AAC/AAAC, COPPER & STEEL CONDUCTORS CN 17	 ARMOUR RODS CN 18	 TIES - HV/LV AAC/AAAC CN 26	 TIES STEEL & COPPER CN 27	 STIRRUP LIVE LINE CLAMP CN 30
 POLE MOUNTED LV FUSE HOLDER CN 35	 CONDUCTOR AAC CN 36	 CONDUCTOR SCAC CN 37	 CONDUCTOR LVABC 95/150 CN 38	 TAPPING CABLE CONDUCTOR CN 39	 CABLE 16 SL CN 41	 CABLE 25 LV CN 42
 CABLE 120 LV CN 43	 CABLE 240 LV CN 45	 CABLE 35 3x1C HV CN 46	 CABLE 35 1x1C HV CN 47	 CABLE 185 3x1C HV CN 48	 CABLE 240 3x1C HV CN 49	 CABLE 50 3x1C HV CN 51
 CONDUCTOR AAAC CN 52	 CABLE 400 3x1C AL HV CN 53	 2.1 m LONG PLASTIC SLABS CN 54	 4 m LONG CONDUIT CN 56	 CABLE 50 1x1C HV CN 57	 CABLE 185 1x1C AL HV CN 58	 CONDUCTOR AACSR CN 59
 TX LV CONDUCTOR CN 60	 CABLE BELOW WARNING TAPE CN 61	 ABOVE GROUND CABLE MARKER CN 64	 INSULATION PIERCING CLAMP CN 65	 INSULATION PIERCING CLAMP ABC TO 2 & 4 SERVICES CN 68	 SPLICE ABC TO BARE COPPER CN 69	 SPLICE ABC TO BARE ALUMINIUM CN 70
 CONDUCTOR SERVICE 6/16mm CN 71	 STRAIN CLAMP SERVICE & STREETLIGHT FEED CN 72	 CABLE END CAPS CN 73	 SPIRAL VIBRATION DAMPER CN 74	 CUSTOMER SERVICE CARRYOVER CONNECTION CN 75	 MESSENGER SCGZ WIRE CN 76	 HV COVERED CONDUCTOR CN 77

				COMPATIBLE UNIT			DISTRIBUTION DESIGN CATALOGUE					
L	27 11 19	ITEM CN60 ADDED	CO	GC	GS	TITLE	DRAWN	JRR	DATE	13-03-2014	DRG No	
J	20 06 16	ITEM CN17 & CN40 DELETED AND CN77 ADDED	JC	REE	GS		ORIGINATED		SCALE	NTS		
H	23 05 14	ITEM CN58 ADDED			GS		CHECKED	REE			CN INDEX	
G	13 03 14	FORMAT CHANGED AND DRG CN64 ADDED					APPROVED				REV	
F	25 09 13	ORIGINAL ISSUE									SHT	
REV	DATE	DESCRIPTION	ORGD	CHKD	APRD		GRANT STACY				J	1/2



				COMPATIBLE UNIT			DISTRIBUTION DESIGN CATALOGUE					
				TITLE			DRAWN: JRR		DATE: 13-03-2014		DRG. No.	
				CN COMPATIBLE UNIT			ORIGINATED:		SCALE: NTS		CN INDEX	
							CHECKED: REE		APPROVED: GRANT STACY		REV. J	
											SHT. 2/2	
REV.	DATE	DESCRIPTION		DRGD.	CHKD.	APRD.						
J	20.06.16	ITEM CN17 & CN40 DELETED		JC	REE	GS						
H	23.05.14	ITEM CN58 ADDED				GS						
G	13.03.14	FORMAT CHANGED AND DRG. CN64 ADDED.										
F	25.09.13	ORIGINAL ISSUE										

Conductor and Fittings CU List

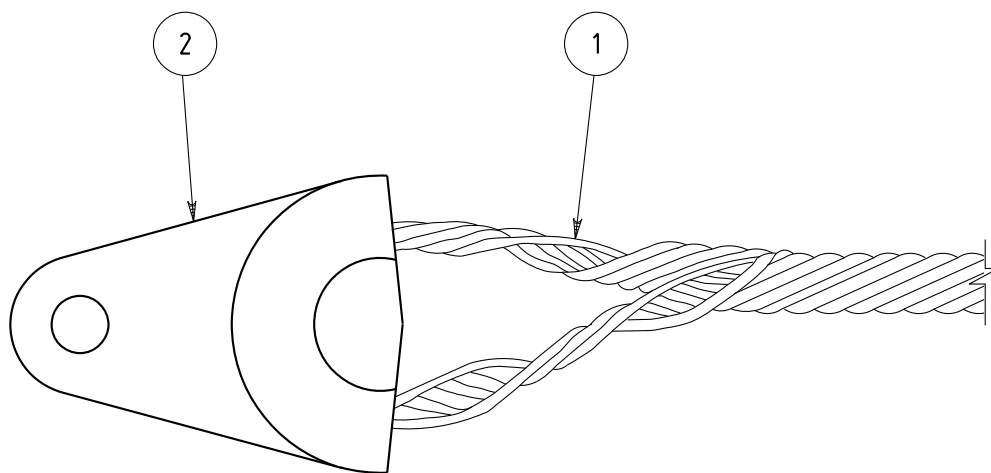
CU	CU DESCRIPTION
CN1_7/250	Termination - AAC & AAAC_7/2.50
CN1_7/300	Termination - AAC & AAAC_7/3.00
CN1_7/375	Termination - AAC & AAAC_7/3.75
CN1_7/450	Termination - AAC & AAAC_7/4.50
CN1_7/475	Termination - AAC & AAAC_7/4.75
CN1_19/325	Termination - AAC & AAAC_19/3.25
CN1_6/1/250	Termination - ACSR_6/1/2.50
CN1_6/1/300	Termination - ACSR & AACSR_6/1/3.00
CN1_6/475	Termination - ACSR_6/4.75 & 7/1.60
CN1_SCAC	Termination - SCAC_3/2.75 (3/12)
CN4_3/275	Termination-SCGZ_3/2.75
CN4_7/160	Termination-SCGZ_7/1.60
CN4_7/200	Termination-SCGZ_7/2.00
CN4_CU7/16	Termination-CU_7/16_7/160
CN4_CU7/14	Termination-CU_7/14_7/200
CN4_CU7/12	Termination-CU_7/12_7/275 (19/16)
CN4_CU19/14	Termination-CU_19/14_19/214
CN4_CU19/275	Termination-CU_19/275
CN5	Termination - SCGZ and CU conductor
CN6_3/2.75	Angle assembly - SCGZ_3/2.75
CN6_7/160	Angle assembly - SCGZ_7/1.60
CN6_3/2.75AC	Angle assembly - SCAC_3/2.75
CN6_CU7/16	Angle assembly - CU_7/16_7/160
CN6_CU7/14	Angle assembly - CU_7/14_7/200
CN6_CU7/12	Angle assembly - CU_7/12_7/275 (19/16)
CN6_CU19/14	Angle assembly - CU_19/14_19/214
CN8_7/250	Angle clamp - AAC & AAAC_7/2.50
CN8_7/475	Angle clamp - AAC & AAAC_7/4.75
CN8_19/325	Angle clamp - AAC & AAAC_19/3.25
CN9_3/275	PG clamp 3/275 SCGZ/AC to 3/275 SCGZ/AC
CN9_7/250AA	PG clamp aluminium to aluminium_7/2.50
CN9_7/475AA	PG clamp aluminium to aluminium_7/4.75
CN9_19/325AA	PG clamp aluminium to aluminium_19/3.25
CN9_3/275AC	PG clamp aluminium to copper_3/2.75
CN9_7/250AC	PG clamp aluminium to copper_7/2.50
CN9_7/475AC	PG clamp aluminium to copper_7/4.75
CN9_19/325AC	PG clamp aluminium to copper_19/3.25
CN9_CU	PG clamp copper to copper_250 amp max.
CN9_CU250	PG clamp copper to copper >250 amp
CN9_T7/250	PG Clamp for 7/1.6mm SCGZ to 7/2.5 AC
CN9_T7/300	PG Clamp for 7/1.6mm SCGZ to 7/3.0 AC
CN9_T6/1/25	PG Clamp for 7/1.6mm SCGZ to 6/1/2.5 ACSR
CN9_T6/1/275	PG Clamp for 7/1.6mm SCGZ to 6/1/2.75 ACSR
CN9_T6/1/300	PG Clamp for 7/1.6mm SCGZ to 6/1/3.0 ACSR
CN9_T19/1.6C	PG Clamp for 7/1.6mm SCGZ to 19/1.6 HDBC

CU	CU DESCRIPTION
CN9_T7/3.75A	PG Clamp for 7/1.6mm SCGZ to 7/3.75AC
CN9_T/95ABC	PG Clamp for 7/1.6mm SCGZ to 95mm ABC
CN9_T7/14C	PG Clamp for 7/1.6mm SCGZ to 7/14 HDBC
CN9_T7/2.0C	PG Clamp for 7/1.6mm SCGZ to 7/2.0 HDBC
CN9_T19/14C	PG Clamp for 7/1.6mm SCGZ to 19/14 HDBC
CN9_T19/2.0C	PG Clamp for 7/1.6mm SCGZ to 19/2.0 HDBC
CN9_T7/4.5C	PG Clamp for 7/1.6mm SCGZ to 7/4.5AC
CN9_T7/1.6C	PG Clamp for 7/1.6mm SCGZ to 7/1.6 HDBC
CN9_T7/1.75C	PG Clamp for 7/1.6mm SCGZ to 7/1.75 HDBC
CN9_T7/4.75	PG Clamp for 7/1.6mm SCGZ to 7/4.75 AC
CN9_T19/3.25	PG Clamp for 7/1.6mm SCGZ to 19/3.25 AC
CN9_T150ABC	PG Clamp for 7/1.6mm SCGZ to 150mm ABC
CN9_T6/4.75	PG Clamp for 7/1.6mm SCGZ to 6/4.75 & 7/1.6 ACSR
CN9_052AWA	PG clamp copper tp Al_052AWA
CN9_TSCAC	PG Clamp for 7/1.6mm SCGZ to 3/2.75 SCAC
CN9_T70C	PG Clamp for 7/16mm SCGZ to 70mm ² copper down earth
CN9_T25C	PG Clamp for 7/16mm SCGZ to 25mm ² copper down earth
CN9_BAIL	PG Clamp for 7/1.6mm SCGZ to Bail clamp FC0105
CN10_7/250	Lug bi-metal M10 hole_7/2.50
CN10_7/475	Lug bi-metal M10 hole_7/4.75
CN10_19/325	Lug bi-metal M10 hole_19/3.25
CN11_7/250	Lug bi-metal M12 hole_7/2.50
CN11_7/475	Lug bi-metal M12 hole_7/4.75
CN11_19/325	Lug bi-metal M12 hole_19/3.25
CN11_7/300	Lug bi-metal M12 hole_7/3.00
CN11_7/375	Lug bi-metal M12 hole_7/3.75
CN11_95	Lug bi-metal M12 hole_95 LV ABC
CN11_150	Lug bi-metal M12 hole_150 LV ABC
CN13_7/250AA	Helical termination AAC & AAAC_7/2.50
CN13_7/475AA	Helical termination AAC & AAAC_7/4.75
CN13_19/325A	Helical termination AAC & AAAC_19/3.25
CN13_3/275GZ	Helical termination SCGZ_3/2.75
CN13_7/160GZ	Helical termination SCGZ_7/1.60
CN13_3/275AC	Helical termination SCAC_3/2.75
CN13_7/160CU	Helical termination copper_7/160
CN13_7/200CU	Helical termination copper_7/200
CN13_7/275CU	Helical termination copper_7/275
CN13_19/214CU	Helical termination copper_19/2.14
CN13_19/275CU	Helical termination copper_19/2.75
CN13_7/300AA	Helical termination AAC and AAAC_7/3.00
CN13_7/375AA	Helical termination AAC and AAAC_7/3.75
CN13_7/450AA	Helical termination AAC and AAAC_7/4.50
CN17_7/250	Full tension comp.joint AAC/AAAC_7/2.50
CN17_7/300	Full tension comp joint AAC/AAAC_7/3.00
CN17_7/375	Full tension comp joint AAC/AAAC_7/3.75
CN17_7/475	Full tension comp.joint AAC/AAAC_7/4.75

CU	CU DESCRIPTION
CN17_19/325	Full tension comp.joint AAC/AAAC_19/3.25
CN17_7/12	Full tension comp joint copper_7/12
CN17_7/14	Full tension comp joint copper_7/14
CN17_7/16	Full tension comp joint copper_7/16
CN17_19/14	Full tension comp joint copper_19/14 (19/2.00)
CN17_19/16	Full tension Splice_19/16 (19/1.70)
CN17_160SG	Full tension Splice_SCGZ_7/1.60 (7/16)
CN17_3/275SA	Full tension Splice_SCAC_3/2.75
CN17_3/275SG	Full tension Splice_SCGZ_3/2.75
CN17_7/275SG	Full tension Splice_SCGZ_7/2.75
CN18_7/250AA	Armour rods AAC & AAAC_7/2.50
CN18_7/300AA	Armour rods for AA & AAA 7/3.00 & 6/1/3.00 ACSR
CN18_7/375AA	Armour rods for AAC & AAAC 7/3.75
CN18_7/475AA	Armour rods AAC & AAAC_7/4.75
CN18_19/325A	Armour rods AAC & AAAC_19/3.25
CN18_3/275GZ	Armour rods SCGZ_3/2.75
CN18_7/1.6S	Armour rods SCGZ_7/1.60
CN18_3/275AC	Armour rods SCAC_3/2.75
CN26_3/275	Ties HV / LV AAC & AAAC_3/2.75
CN26_7/250	Ties HV / LV AAC & AAAC_7/2.50
CN26_7/475	Ties HV / LV AAC & AAAC_7/4.75
CN26_19/325	Ties HV / LV AAC & AAAC_19/3.25
CN27_3/275	Ties steel_3/2.75
CN27_CULV	Ties LV copper
CN27_CUHV	Ties HV copper
CN30_7/250	Stirrup live line clamp_7/2.50
CN30_7/475	Stirrup live line clamp_7/4.75
CN30_19/325	Stirrup live line clamp_19/3.25
CN30_7/16	Stirrup live line clamp_7/16 SCGZ
CN30_3/275	Stirrup live line clamp_3/275 SCGZ/SCAC
CN35_10	Pole mounted LV fuse holder with 10amp fuse
CN35_32	Pole mounted LV fuse holder with 32amp fuse
CN35_50	Pole mounted LV fuse holder with 50amp fuse
CN35_60	Pole mounted LV fuse holder with 60amp fuse
CN35_80	Pole mounted LV fuse holder with 80amp fuse
CN35_100	Pole mounted LV fuse holder with 100amp fuse
CN35_Bare	Fuse on bare network
CN35_LV_ABC	Fuse on bare LV ABC
CN35_Pole	Fuse on pole
CN36_7/250	Conductor AAC 7/2.50
CN36_7/475	Conductor AAC 7/4.75
CN36_19/3.25	Conductor AAC 19/3.25
CN37_7/1.60	Conductor – SCGZ 7/1.60
CN37_3/275	Conductor SCAC 3/2.75
CN38_95	Conductor LVABC 95
CN38_150	Conductor LVABC 150

CU	CU DESCRIPTION
CN39_95/4M	Conductor LV ABC – 95mm ² 4M 4Core tap jumper
CN39_150/4M	Conductor LV ABC – 150mm ² 4M 4Core tap jumper
CN41	Cable 16 mm XLPE streetlight
CN42	Cable 25 mm XLPE LV
CN43	Cable 120 mm XLPE LV
CN45	Cable 240 mm XLPE LV
CN46	Cable 22kV Al 35mm TR-XLPE HV 3 x 1 core
CN47	Cable 22kV Al 35 mm XLPE HV 1 core
CN48_22	Cable 22kV Al 185 mm TR-XLPE HV 3 x 1 core
CN48_33	Cable 33kV Al 185 mm TR-XLPE HV 3 x 1 core
CN49	Cable 22kV Cu 240 mm TR-XLPE HV 3 x 1 core
CN51	Cable 33kV Al 50 mm XLPE HV 3 x 1 core
CN52_7/250	Conductor-AAAC 7/2.50
CN52_7/475	Conductor-AAAC 7/4.75
CN52_19/3.25	Conductor-AAAC 19/3.25
CN53	Cable 22kV Al 400 mm TR-XLPE HV 3 x 1 core
CN54	Cable protector plastic slabs 2.1m long
CN56_25	Conduit 25 dia 4m long
CN56_32	Conduit 32 dia 4m long
CN56_50	Conduit 50 dia 4m long
CN56_80	Conduit 80 dia 4m long
CN56_100	Conduit 100 dia 4m long
CN56_125	Conduit 125 dia 4m long
CN56_150	Conduit 150 dia 4m long
CN56_100_CO	Conduit 100 dia 6m long
CN56_125_CO	Conduit 125 dia 6m long
CN56_150_CO	Conduit 150 dia 6m long
CN57	Cable 33kV Al 50 mm TR-XLPE HV 1 x 1 core
CN59_6/1/300	Conductor – AACSR 6/1/300
CN60_630AL	Conductor – 630mm AL
CN60_400CU	Conductor – 400Cu
CN61_125	Cable below warning tape 125mmx690m roll
CN64	Above Ground Cable Marker
CN65_95/35	95 ABC to 6 – 35 service
CN65_95/95	95 ABC to 6 – 95 ABC
CN65_150/35	150 ABC to 6 – 35 service
CN65_150/150	150 ABC to 95/150 service
CN68_95/35	I.P.C LVABC to 2 service_95/35
CN68_150/35	I.P.C LVABC to 2 service_150/35
CN68_150/50	I.P.C LVABC to 4 service_150/50
CN69_95	Splice LVABC to bare copper_95
CN69_150	Splice LVABC to bare copper_150
CN70_95	Splice LVABC to bare aluminium_95
CN70_150	Splice LVABC to bare aluminium_150
CN71_2/6	Conductor twisted 2 core x 6mm
CN71_3/6	Conductor twisted 3 core x 6mm

CU	CU DESCRIPTION
CN71_4/6	Conductor twisted 4 core x 6mm
CN71_2/16	Conductor twisted 2 core x 16mm
CN71_4/16	Conductor twisted 4 core x 16mm
CN72	Strain clamp – house service
CN73_35/185	End cap heat shrink 35 to 185 HV cable
CN73_240	End cap heat shrink 240-400 HV cable
CN73_LVMAIN	End cap heat shrink 120 to 240 LV cable
CN73_LV10/16	End cap push on 10/16 streetlight cable
CN73_LV25	End cap push on 25 3core screened service cable
CN74_3/275	Vibration damper for 3/2.75 (SCAC and SCGZ)
CN74_6/1/250	Vibration damper for 6/1/2.50 ACSR/AZ
CN74_6/1/275	Vibration damper for 6/1/2.75 ACSR/AZ
CN74_6/1/300	Vibration damper for 6/1/3.00 ACSR/AZ
CN74_6/475	Vibration damper for 6/4.75 – 7/1.6 ACSR/AZ
CN74_7/250	Vibration damper for 7/250 AAC/AAAC
CN74_7/375	Vibration damper for 7/375 AAC/AAAC
CN74_7/475	Vibration damper for 7/475 AAC/AAAC
CN75	Customer Service Carryover Connection
CN76_AWA	Hendrix Messenger Wire
CN76_19/275	Hendrix Messenger Wire
CN76_19/325	Hendrix Messenger Wire
CN77_22	Hendrix Covered Conductor
CN77_33	Hendrix Covered Conductor
CN78_3P	Hendrix Spacer 3 Phase
CN79_3/275	Bird Diverter for 3/2.75 (SCAC and SCGZ)
CN79_19/325	Bird Diverter for 19/3.25 (AAC/AAAC)
CN79_7/250	Bird Diverter for 7/2.50 (AAC/AAAC)
CN79_7/375	Bird Diverter for 7/3.75 (AAC/AAAC)
CN79_7/475	Bird Diverter for 7/4.75 (AAC/AAAC)
CN80_400/22	Cable Clamp for 400mm ² 22kV Cable
CN80_240/22	Cable Clamp for 240mm ² 22kV Cable
CN80_185/33	Cable Clamp for 185mm ² 33kV Cable
CN80_240/33	Cable Clamp for 240mm ² 33kV Cable
CN80_400/22S	Cable Clamp for 400mm ² 22kV Cable
CN80_400/22D	Cable Clamp for 400mm ² 22kV Cable
CN80_240/22S	Cable Clamp for 240mm ² 22kV Cable
CN80_240/22D	Cable Clamp for 240mm ² 22kV Cable
CN80_185/22S	Cable Clamp for 185mm ² 22kV Cable
CN80_185/22D	Cable Clamp for 185mm ² 22kV Cable
CN80_240/33S	Cable Clamp for 240mm ² 33kV Cable
CN80_240/33D	Cable Clamp for 240mm ² 33kV Cable
CN81	Conduit Sealing up to 160mm



				COMPATIBLE UNIT		DISTRIBUTION DESIGN CATALOGUE		westernpower	
				TITLE		DRAWN: JRR		DATE: 27-03-2014	
				TERMINATION - AAC/AAAC/SCAC CONDUCTOR		ORIGINATED:		SCALE: NTS	
						CHECKED: REE		DRG. No.	
						APPROVED: GRANT STACY		CN01	
								REV. C	
								SHT.	
C	20 05 13	ORIGINAL ISSUE							
REV	DATE	DESCRIPTION		DRGD.	CHKD.	APRD.			

CU	CU Description
-----------	-----------------------

CN1_7/250 Termination – AAC & AAAC_ 7/2.50					
ITEM NUMBER	STOCK CODE	DESCRIPTION	QTY RQD	UNIT OF MEASURE	REMARKS
1	CF0752	helical grip	1	ea	
2	CT0011	clevis thimble	1	ea	

CN1_7/300 Termination – AAC & AAAC_ 7/3.00					
ITEM NUMBER	STOCK CODE	DESCRIPTION	QTY RQD	UNIT OF MEASURE	REMARKS
1	CF0520	helical grip	1	ea	
2	CT0011	clevis thimble	1	ea	

CN1_7/375 Termination – AAC & AAAC_ 7/3.75					
ITEM NUMBER	STOCK CODE	DESCRIPTION	QTY RQD	UNIT OF MEASURE	REMARKS
1	CF0522	helical grip	1	ea	
2	CT0011	clevis thimble	1	ea	

CN1_7/450 Termination – AAC & AAAC_ 7/4.50					
ITEM NUMBER	STOCK CODE	DESCRIPTION	QTY RQD	UNIT OF MEASURE	REMARKS
1	CF0524	helical grip	1	ea	
2	CT0011	clevis thimble	1	ea	

CN1_7/475 Termination – AAC & AAAC_ 7/4.75					
ITEM NUMBER	STOCK CODE	DESCRIPTION	QTY RQD	UNIT OF MEASURE	REMARKS
1	CF0757	helical grip	1	ea	
2	CT0011	clevis thimble	1	ea	

CN1_19/325 Termination – AAC & AAAC_ 19/3.25					
ITEM NUMBER	STOCK CODE	DESCRIPTION	QTY RQD	UNIT OF MEASURE	REMARKS
1	CF0758	helical grip	1	ea	
2	CT0011	clevis thimble	1	ea	

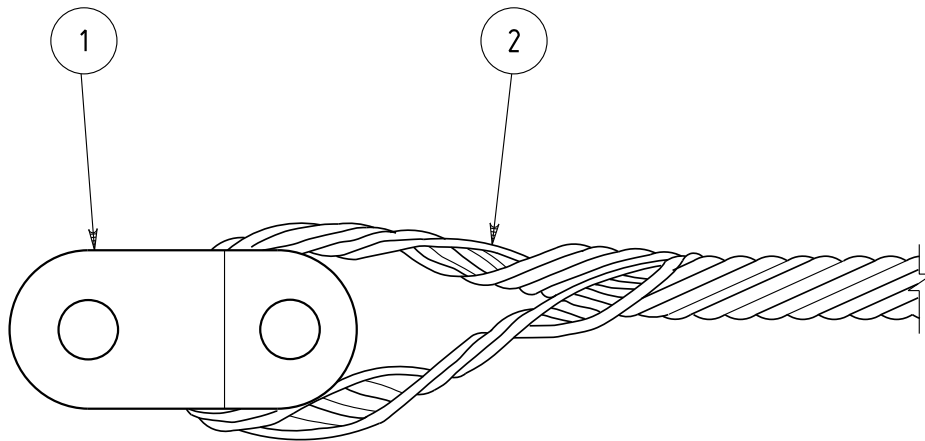
CU	CU Description
-----------	-----------------------

CN1_6/1/250 Termination – ACSR_6/1/2.50					
ITEM NUMBER	STOCK CODE	DESCRIPTION	QTY RQD	UNIT OF MEASURE	REMARKS
1	CF0610	helical grip	1	ea	
2	CT0011	clevis thimble	1	ea	

CN1_6/1/300 Termination – ACSR & AACSR_6/1/3.00					
ITEM NUMBER	STOCK CODE	DESCRIPTION	QTY RQD	UNIT OF MEASURE	REMARKS
1	CF0611	helical grip	1	ea	
2	CT0011	clevis thimble	1	ea	

CN1_6/475 Termination – ACSR_6/4.75 & 7/1.60					
ITEM NUMBER	STOCK CODE	DESCRIPTION	QTY RQD	UNIT OF MEASURE	REMARKS
1	CF0612	helical grip	1	ea	
2	CT0011	clevis thimble	1	ea	

CN1_SCAC Termination – SCAC_3/2.75 (3/12)					
ITEM NUMBER	STOCK CODE	DESCRIPTION	QTY RQD	UNIT OF MEASURE	REMARKS
1	CF0700	helical grip	1	ea	
2	CT0011	clevis thimble	1	ea	



				COMPATIBLE UNIT			DISTRIBUTION DESIGN CATALOGUE				
				TITLE			DRAWN: JRR		DATE: 27-03-2014		DRG. No.
				TERMINATION - SCGZ & COPPER CONDUCTORS			ORIGINATED: REE		SCALE: NTS		CN04
							CHECKED: REE		APPROVED: GRANT STACY		REV. C
											SHT.
R. No.	DATE	DESCRIPTION	ORGD.	CHED.	APRD.						
C	14.01.15	FORMAT CHANGED		REE	REE	GS					
B	20.05.13	ORIGINAL ISSUE									



CU	CU Description
-----------	-----------------------

CN4_3/275		Termination-SCGZ_3/2.75			
ITEM NUMBER	STOCK CODE	DESCRIPTION	QTY RQD	UNIT OF MEASURE	REMARKS
1	CT0037	clevis thimble	1	ea	
2	CF0661	helical termination	1	ea	

CN4_7/160		Termination-SCGZ_7/1.60			
ITEM NUMBER	STOCK CODE	DESCRIPTION	QTY RQD	UNIT OF MEASURE	REMARKS
1	CT0037	clevis thimble	1	ea	
2	CF0669	helical termination	1	ea	

CN4_7/200		Termination-SCGZ 7/2.00			
ITEM NUMBER	STOCK CODE	DESCRIPTION	QTY RQD	UNIT OF MEASURE	REMARKS
1	CT0037	clevis thimble	1	ea	
2	CF0553	helical termination	1	ea	

CN4_CU7/16		Termination-CU 7/16_7/160			
ITEM NUMBER	STOCK CODE	DESCRIPTION	QTY RQD	UNIT OF MEASURE	REMARKS
1	CT0037	clevis thimble	1	ea	
2	CF0551	helical termination	1	ea	

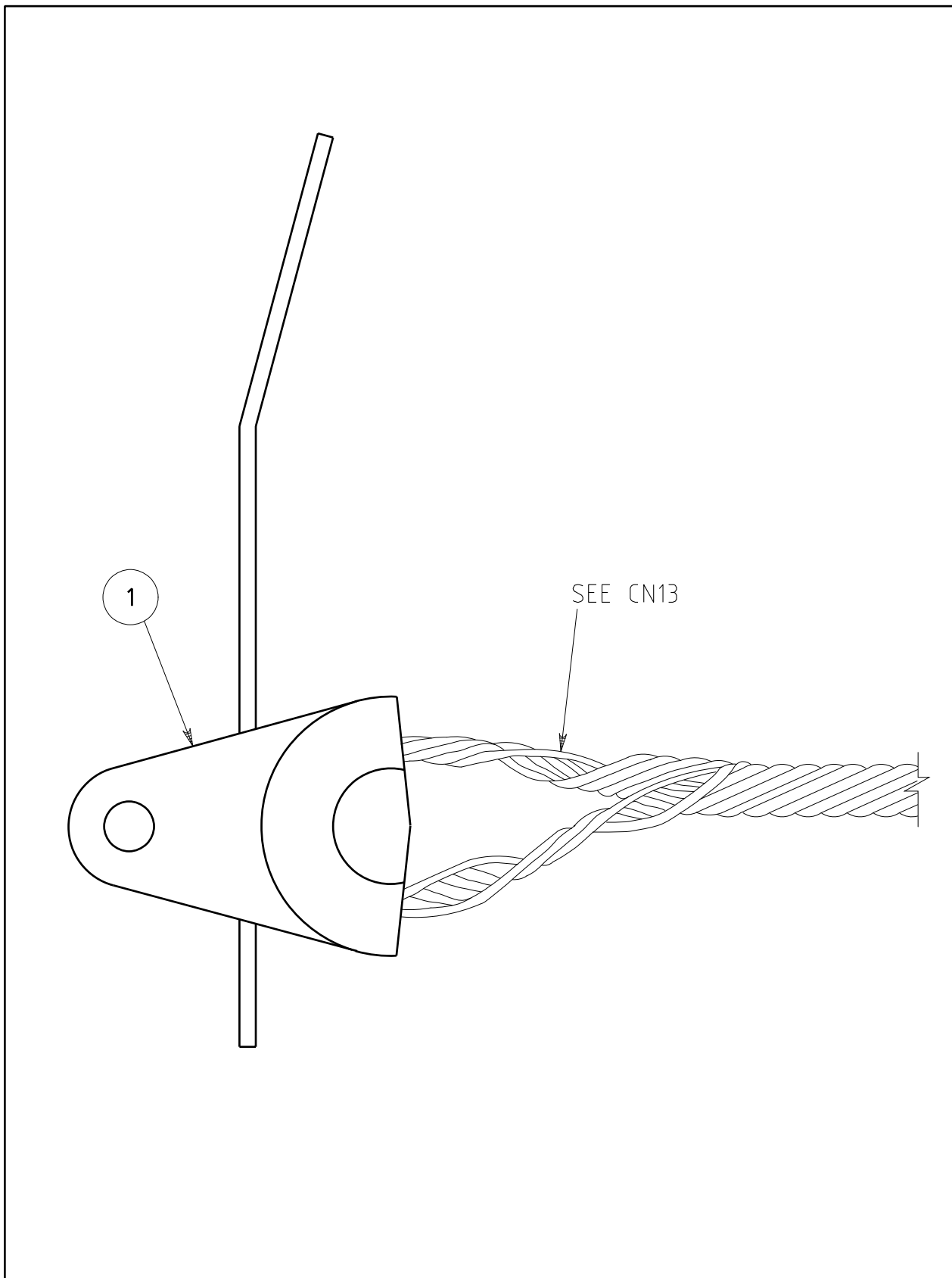
CN4_CU7/14		Termination-CU 7/14_7/200			
ITEM NUMBER	STOCK CODE	DESCRIPTION	QTY RQD	UNIT OF MEASURE	REMARKS
1	CT0037	clevis thimble	1	ea	
2	CF0553	helical termination	1	ea	

CN4_CU7/12		Termination-CU 7/12_7/275 (19/16)			
ITEM NUMBER	STOCK CODE	DESCRIPTION	QTY RQD	UNIT OF MEASURE	REMARKS
1	CT0037	clevis thimble	1	ea	
2	CF0554	helical termination	1	ea	

CN4_CU19/14		Termination-CU 19/14_19/214			
ITEM NUMBER	STOCK CODE	DESCRIPTION	QTY RQD	UNIT OF MEASURE	REMARKS
1	CT0037	clevis thimble	1	ea	
2	CF0566	helical termination	1	ea	

CU	CU Description
-----------	-----------------------

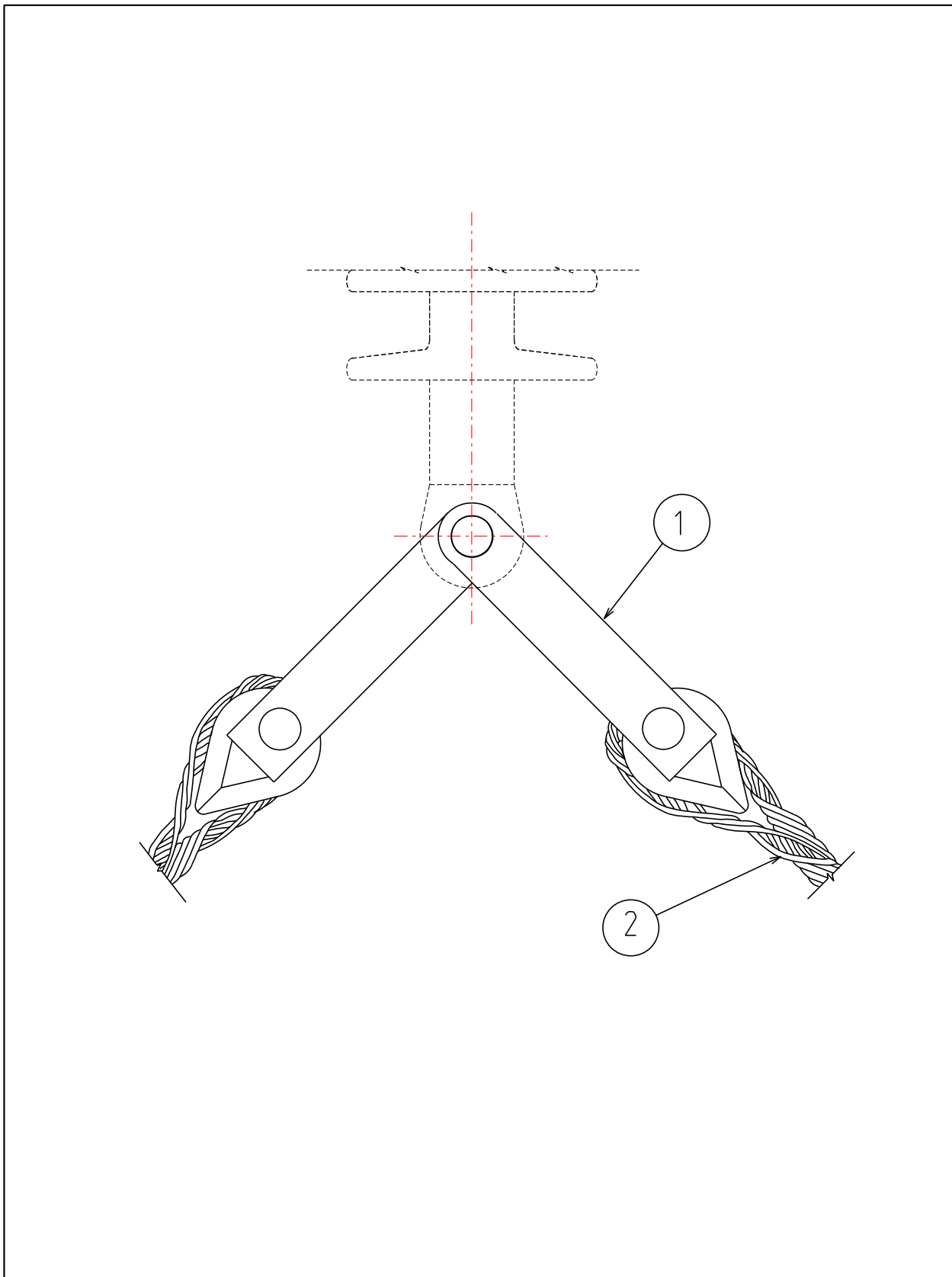
CN4_CU19/275		Termination-CU 19/275			
ITEM NUMBER	STOCK CODE	DESCRIPTION	QTY RQD	UNIT OF MEASURE	REMARKS
1	CT0037	clevis thimble	1	ea	
2	CF0540	helical termination	1	ea	



				COMPATIBLE UNIT		DISTRIBUTION DESIGN CATALOGUE		westernpower	
				TITLE		DRAWN: JRR DATE: 27-03-2014		DRG. No.	
				CLEVIS TERMINATION FOR POLE TOP SWITCH - SCGZ & CU CONDUCTOR		ORIGINATED: SCALE: NTS		CN05	
						CHECKED: REE		REV. SHIT.	
						APPROVED: GRANT STACY		A	
A	18.04.13	ORIGINAL ISSUE							
REV	DATE	DESCRIPTION		ORGD.	KHKD.	APRD.			

CU	CU Description
-----------	-----------------------

CN5 Termination–SCGZ and CU Conductor					
ITEM NUMBER	STOCK CODE	DESCRIPTION	QTY RQD	UNIT OF MEASURE	REMARKS
1	CT0021	clevis thimble	1	ea	



				COMPATIBLE UNIT		DISTRIBUTION DESIGN CATALOGUE		westernpower	
				TITLE		DRAWN: JRR		DATE: 27-03-2014	
				ANGLE ASSEMBLY		ORIGINATED:		SCALE: NTS	
				SC/GZ, SC/AC AND		CHECKED: REE		DRG. No. C06	
				COPPER CONDUCTOR		APPROVED: GRANT STACY		REV. D	
D	27.07.15	FORMAT AND TITLE CHANGED		REE	REE	GS			
C	31.07.13	ORIGINAL ISSUE							
REV	DATE	DESCRIPTION		DRGD.	CHKD.	APRD.			

CU	CU Description
-----------	-----------------------

CN6_3/2.75		Angle assembly – SCGZ_ 3/2.75			
ITEM NUMBER	STOCK CODE	DESCRIPTION	QTY RQD	UNIT OF MEASURE	REMARKS
1	CA0055	mounting bracket	1	ea	
2	CF0661	helical termination	2	ea	

CN6_7/160		Angle assembly – SCGZ_ 7/1.60			
ITEM NUMBER	STOCK CODE	DESCRIPTION	QTY RQD	UNIT OF MEASURE	REMARKS
1	CA0055	mounting bracket	1	ea	
2	CF0669	Grip,cable term.	2	ea	

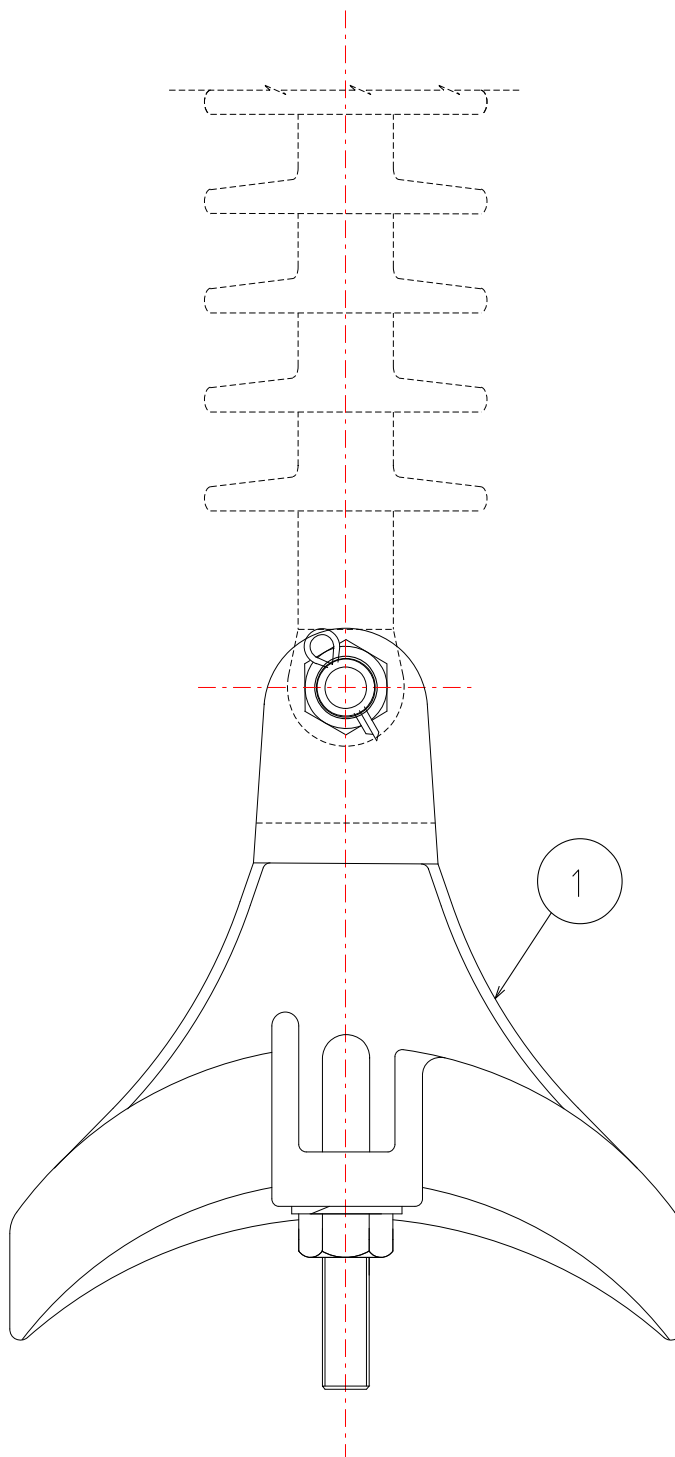
CN6_3/2.75AC		Angle assembly – SCAC_ 3/2.75			
ITEM NUMBER	STOCK CODE	DESCRIPTION	QTY RQD	UNIT OF MEASURE	REMARKS
1	CA0055	mounting bracket	1	ea	
2	CF0700	Grip,cable term.	2	ea	

CN6_CU7/16		Angle assembly – CU 7/16_7/160			
ITEM NUMBER	STOCK CODE	DESCRIPTION	QTY RQD	UNIT OF MEASURE	REMARKS
1	CA0055	mounting bracket	1	ea	
2	CF0551	helical termination	2	ea	

CN6_CU7/14		Angle assembly – CU 7/14_7/200			
ITEM NUMBER	STOCK CODE	DESCRIPTION	QTY RQD	UNIT OF MEASURE	REMARKS
1	CA0055	mounting bracket	1	ea	
2	CF0553	helical termination	2	ea	

CN6_CU7/12		Angle assembly – CU 7/12_7/275 (19/16)			
ITEM NUMBER	STOCK CODE	DESCRIPTION	QTY RQD	UNIT OF MEASURE	REMARKS
1	CA0055	mounting bracket	1	ea	
2	CF0554	helical termination	2	ea	

CN6_CU19/14		Angle assembly – CU 19/14_19/214			
ITEM NUMBER	STOCK CODE	DESCRIPTION	QTY RQD	UNIT OF MEASURE	REMARKS
1	CA0055	mounting bracket	1	ea	
2	CF0566	helical termination	2	ea	



				COMPATIBLE UNIT		DISTRIBUTION DESIGN CATALOGUE			
				TITLE		DRAWN: JRR DATE: 27-03-2014 DRG. No.			
				ANGLE CLAMP		ORIGINATED SCALE: NTS		CN08	
				AAC & AAC CONDUCTOR		CHECKED: REE		REV. B	
						APPROVED: GRANT STACY		SHT.	
REV	DATE	DESCRIPTION	DRG.	CHKD.	APRD.				
A	01.08.13	ORIGINAL ISSUE							

CU	CU Description
-----------	-----------------------

CN8_7/250	Angle clamp – AAC & AAAC_ 7/2.50
-----------	----------------------------------

ITEM NUMBER	STOCK CODE	DESCRIPTION	QTY RQD	UNIT OF MEASURE	REMARKS
1	CC0167	Angle clamp	1	ea	

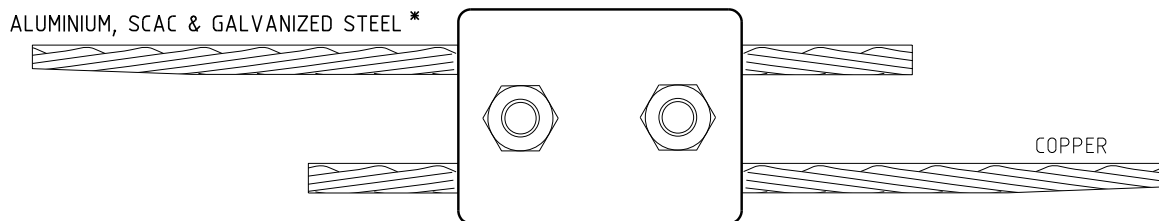
CN8_7/475	Angle clamp – AAC & AAAC_ 7/4.75
-----------	----------------------------------

ITEM NUMBER	STOCK CODE	DESCRIPTION	QTY RQD	UNIT OF MEASURE	REMARKS
1	CC0166	Angle clamp	1	ea	

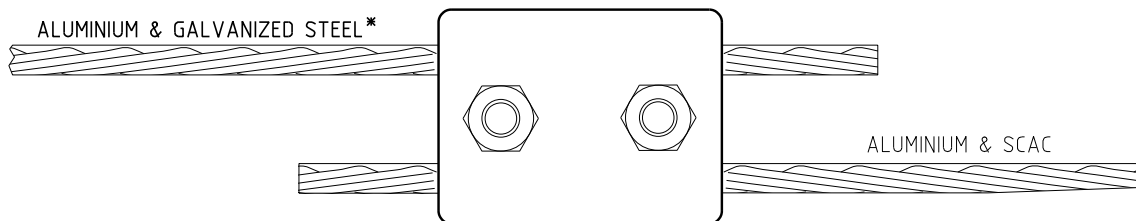
CN8_19/325	Angle clamp – AAC & AAAC_ 19/3.25
------------	-----------------------------------

ITEM NUMBER	STOCK CODE	DESCRIPTION	QTY RQD	UNIT OF MEASURE	REMARKS
1	CC0166	Angle clamp	1	ea	

BI-METAL CLAMP



ALUMINIUM PG CLAMP



* SPLICE TO BE APPLIED TO ALL 7/16 SC/GZ

				COMPATIBLE UNIT			DISTRIBUTION DESIGN CATALOGUE			
				TITLE			DRAWN: JRR DATE: 27-03-2014		DRG. No.	
				PARALLEL GROOVE CLAMP			ORIGINATED: SCALE: NTS		CN09	
							CHECKED: REE		REV. SHY.	
							APPROVED: GRANT STACY		REV. G	
REV	DATE	DESCRIPTION	ORGD.	CHKD.	APRD.					
G	29.10.20	TRANSVERSE WEDGE CLAMP DETAILS DELETED	REE	CO	GS					
F	06.04.16	BI-METAL CLAMP CONDUCTOR SPEC REVISED	CO	REE	GS					
E	27.10.14	FORMAT CHANGED	JC	REE	GS					
D	04.09.13	ORIGINAL ISSUE								

CU	CU Description
-----------	-----------------------

CN9_3/275A		PG clamp 3/275 SCGZ /AC to 3/275 SCGZ /AC			
------------	--	---	--	--	--

ITEM NUMBER	STOCK CODE	DESCRIPTION	QTY RQD	UNIT OF MEASURE	REMARKS
1	CC0224	Parallel groove clamp	1	ea	

CN9_7/250AA		PG clamp aluminium to aluminium_7/2.50			
-------------	--	--	--	--	--

ITEM NUMBER	STOCK CODE	DESCRIPTION	QTY RQD	UNIT OF MEASURE	REMARKS
1	CC0138	Parallel groove clamp	1	ea	

CN9_7/475AA		PG clamp aluminium to aluminium_7/4.75			
-------------	--	--	--	--	--

ITEM NUMBER	STOCK CODE	DESCRIPTION	QTY RQD	UNIT OF MEASURE	REMARKS
1	CC0138	Parallel groove clamp	1	ea	

CN9_19/325AA		PG clamp aluminium to aluminium_19/3.25			
--------------	--	---	--	--	--

ITEM NUMBER	STOCK CODE	DESCRIPTION	QTY RQD	UNIT OF MEASURE	REMARKS
1	CC0138	Parallel groove clamp	1	ea	

CN9_3/275AC		PG clamp aluminium to copper_3/2.75			
-------------	--	-------------------------------------	--	--	--

ITEM NUMBER	STOCK CODE	DESCRIPTION	QTY RQD	UNIT OF MEASURE	REMARKS
1	CC0125	Bi metal parallel groove clamp	1	ea	

CN9_7/250AC		PG clamp aluminium to copper_7/2.50			
-------------	--	-------------------------------------	--	--	--

ITEM NUMBER	STOCK CODE	DESCRIPTION	QTY RQD	UNIT OF MEASURE	REMARKS
1	CC0125	Bi metal parallel groove clamp	1	ea	

CN9_7/475AC		PG clamp aluminium to copper_7/4.75			
-------------	--	-------------------------------------	--	--	--

ITEM NUMBER	STOCK CODE	DESCRIPTION	QTY RQD	UNIT OF MEASURE	REMARKS
1	CC0120	Bi metal parallel groove clamp	1	ea	

CN9_19/325AC		PG clamp aluminium to copper_19/3.25			
--------------	--	--------------------------------------	--	--	--

ITEM NUMBER	STOCK CODE	DESCRIPTION	QTY RQD	UNIT OF MEASURE	REMARKS
1	CC0120	Bi metal parallel groove clamp	1	ea	

CU	CU Description
-----------	-----------------------

CN9_CU	PG clamp copper to copper 250 amp max				
--------	---------------------------------------	--	--	--	--

ITEM NUMBER	STOCK CODE	DESCRIPTION	QTY RQD	UNIT OF MEASURE	REMARKS
1	CC0130	parallel groove clamp	1	ea	

CN9_CU250	PG clamp copper to copper >250 amp				
-----------	------------------------------------	--	--	--	--

ITEM NUMBER	STOCK CODE	DESCRIPTION	QTY RQD	UNIT OF MEASURE	REMARKS
1	CC0511	parallel groove clamp	1	ea	

CN9_T7/250	PG clamp 7/1.6 SCGZ to 7/2.5 AC				
------------	---------------------------------	--	--	--	--

ITEM NUMBER	STOCK CODE	DESCRIPTION	QTY RQD	UNIT OF MEASURE	REMARKS
1	CF0479	Helical Splice	1	ea	
2	CC0138	PG Clamp	1	ea	

CN9_T7/300	PG clamp 7/1.6 SCGZ to 7/3.0 AC				
------------	---------------------------------	--	--	--	--

ITEM NUMBER	STOCK CODE	DESCRIPTION	QTY RQD	UNIT OF MEASURE	REMARKS
1	CF0479	Helical Splice	1	ea	
2	CC0138	PG Clamp	1	ea	

CN9_T6/1/25	PG clamp 7/16 SCGZ to 6/1/2.5 ACSR				
-------------	------------------------------------	--	--	--	--

ITEM NUMBER	STOCK CODE	DESCRIPTION	QTY RQD	UNIT OF MEASURE	REMARKS
1	CF0479	Helical Splice	1	ea	
2	CC0138	PG Clamp			

CN9_T6/1/275	PG clamp 7/16 SCGZ to 6/1/2.75 ACSR				
--------------	-------------------------------------	--	--	--	--

ITEM NUMBER	STOCK CODE	DESCRIPTION	QTY RQD	UNIT OF MEASURE	REMARKS
1	CF0479	Helical Splice	1	ea	
2	CC0138	PG Clamp	1	ea	

CN9_T6/1/300	PG clamp 7/16 SCGZ to 6/1/3.0 ACSR				
--------------	------------------------------------	--	--	--	--

ITEM NUMBER	STOCK CODE	DESCRIPTION	QTY RQD	UNIT OF MEASURE	REMARKS
1	CF0479	Helical Splice	1	ea	
2	CC0138	PG Clamp	1	ea	



CU	CU Description
-----------	-----------------------

CN9_T19/1.6C PG clamp 7/16 SCGZ to 19/1.63 HDBC					
ITEM NUMBER	STOCK CODE	DESCRIPTION	QTY RQD	UNIT OF MEASURE	REMARKS
1	CF0479	Helical Splice	1	ea	
2	CC0125	Bimetal PG Clamp	1	ea	

CN9_T7/3.75A PG clamp 7/1.6 SCGZ to 7/3.75AC					
ITEM NUMBER	STOCK CODE	DESCRIPTION	QTY RQD	UNIT OF MEASURE	REMARKS
1	CF0479	Helical Splice	1	ea	
2	CC0138	PG Clamp	1	ea	

CN9_T95ABC PG clamp 7/1.6 SCGZ to 95mm ABC					
ITEM NUMBER	STOCK CODE	DESCRIPTION	QTY RQD	UNIT OF MEASURE	REMARKS
1	CF0479	Helical Splice	1	ea	
2	CC0138	PG Clamp	1	ea	

CN9_T7/14C PG clamp 7/1.6 SCGZ to 7/14 HDBC					
ITEM NUMBER	STOCK CODE	DESCRIPTION	QTY RQD	UNIT OF MEASURE	REMARKS
1	CF0479	Helical Splice	1	ea	
2	CC0125	Bimetal PG Clamp	1	ea	

CN9_T7/2.0C PG clamp 7/1.6 SCGZ to 7/2.0 HDBC					
ITEM NUMBER	STOCK CODE	DESCRIPTION	QTY RQD	UNIT OF MEASURE	REMARKS
1	CF0479	Helical Splice	1	ea	
2	CC0125	Bimetal PG Clamp	1	ea	

CN9_T19/14C PG clamp 7/1.6 SCGZ to 19/14 HDBC					
ITEM NUMBER	STOCK CODE	DESCRIPTION	QTY RQD	UNIT OF MEASURE	REMARKS
1	CF0479	Helical Splice	1	ea	
2	CC0125	Bimetal PG Clamp	1	ea	

CU	CU Description
-----------	-----------------------

CN9_T19/200C PG clamp 7/1.6 SCGZ to 19/2.0 HDDB					
ITEM NUMBER	STOCK CODE	DESCRIPTION	QTY RQD	UNIT OF MEASURE	REMARKS
1	CF0479	Helical Splice	1	ea	
2	CC0125	Bimetal PG Clamp	1	ea	

CN9_T7/4.5AC PG clamp 7/1.6 SCGZ to 7/4.5 AC					
ITEM NUMBER	STOCK CODE	DESCRIPTION	QTY RQD	UNIT OF MEASURE	REMARKS
1	CF0479	Helical Splice	1	ea	
2	CC0138	PG Clamp	1	ea	

CN9_T7/1.6C PG clamp 7/1.6 SCGZ to 7/1.6 HDDB					
ITEM NUMBER	STOCK CODE	DESCRIPTION	QTY RQD	UNIT OF MEASURE	REMARKS
1	CF0479	Helical Splice	1	ea	
2	CC0125	Bimetal PG Clamp	1	ea	

CN9_T7/1.75C PG clamp 7/1.6 SCGZ to 7/1.75 HDDB					
ITEM NUMBER	STOCK CODE	DESCRIPTION	QTY RQD	UNIT OF MEASURE	REMARKS
1	CF0479	Helical Splice	1	ea	
2	CC0125	Bimetal PG Clamp	1	ea	

CN9_T7/4.75 PG clamp 7/1.6 SCGZ to 7/4.75 AC					
ITEM NUMBER	STOCK CODE	DESCRIPTION	QTY RQD	UNIT OF MEASURE	REMARKS
1	CF0479	Helical Splice	1	ea	
2	CC0138	PG Clamp	1	ea	

CN9_T19/3.25 PG clamp 7/1.6 SCGZ to 19/3.25 AC					
ITEM NUMBER	STOCK CODE	DESCRIPTION	QTY RQD	UNIT OF MEASURE	REMARKS
1	CF0479	Helical Splice	1	ea	
2	CC0138	PG Clamp	1	ea	



CU	CU Description
-----------	-----------------------

CN9_T150ABC		PG clamp 7/1.6 SCGZ to 150mm ABC			
ITEM NUMBER	STOCK CODE	DESCRIPTION	QTY RQD	UNIT OF MEASURE	REMARKS
1	CF0479	Helical Splice	1	ea	
2	CC0138	PG Clamp	1	ea	

CN9_T6/475		PG clamp 7/1.6 SCGZ to 6/4.75&7/1.6 ACSR			
ITEM NUMBER	STOCK CODE	DESCRIPTION	QTY RQD	UNIT OF MEASURE	REMARKS
1	CF0479	Helical Splice	1	ea	
2	CC0138	PG Clamp	1	ea	

CN9_052AWA		PG CLAMP COPPER TP AL_052AWA			
ITEM NUMBER	STOCK CODE	DESCRIPTION	QTY RQD	UNIT OF MEASURE	REMARKS
1	CC0125	Bi metal parallel groove clamp	1	ea	

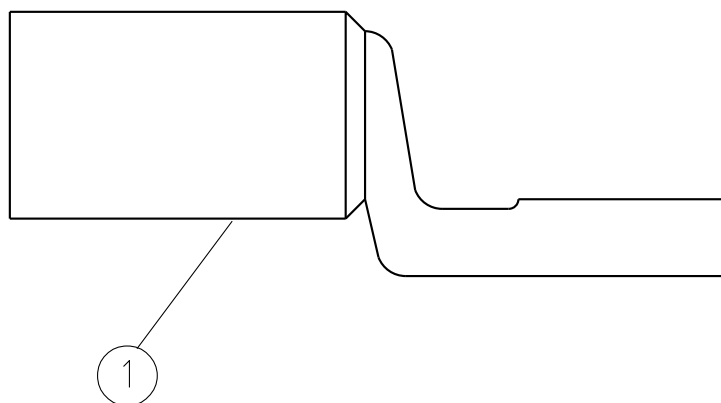
CN9_TSCAC		PG clamp 7/1.6 SCGZ to 3/2.75 SCAC			
ITEM NUMBER	STOCK CODE	DESCRIPTION	QTY RQD	UNIT OF MEASURE	REMARKS
1	CF0479	Helical Splice	1	ea	
2	CC0138	PG Clamp	1	ea	

CN9_T70C		PG clamp 7/1.6 SCGZ to 70mm ² copper down earth			
ITEM NUMBER	STOCK CODE	DESCRIPTION	QTY RQD	UNIT OF MEASURE	REMARKS
1	CF0479	Helical Splice	1	ea	
2	CC0125	Bimetal PG Clamp	1	ea	

CN9_T25C		PG clamp 7/1.6 SCGZ to 25mm ² copper down earth			
ITEM NUMBER	STOCK CODE	DESCRIPTION	QTY RQD	UNIT OF MEASURE	REMARKS
1	CF0479	Helical Splice	1	ea	
2	CC0125	Bimetal PG Clamp	1	ea	

CU	CU Description
-----------	-----------------------

CN9_BAIL		PG clamp 7/16 SCGZ to Bail clamp FC0105			
ITEM NUMBER	STOCK CODE	DESCRIPTION	QTY RQD	UNIT OF MEASURE	REMARKS
1	CF0479	Helical Splice	1	ea	
2	CC0224	PG Clamp	2	ea	



				COMPATIBLE UNIT		DISTRIBUTION DESIGN CATALOGUE			
				TITLE		DRAWN: JRR		DATE: 27-03-2014	
				LUG BI-METAL, M10 HOLE		ORIGINATED:		SCALE: NTS	
						CHECKED: REE		DRG. No. CN10	
						APPROVED: GRANT STACY		REV. B	
REV	DATE	DESCRIPTION	ORGO.	CHKD.	APRD.			SHT.	
B	21.01.99	ORIGINAL ISSUE							

CU	CU Description
-----------	-----------------------

CN10_7/250		Lug bi-metal M10 hole_7/2.50			
------------	--	------------------------------	--	--	--

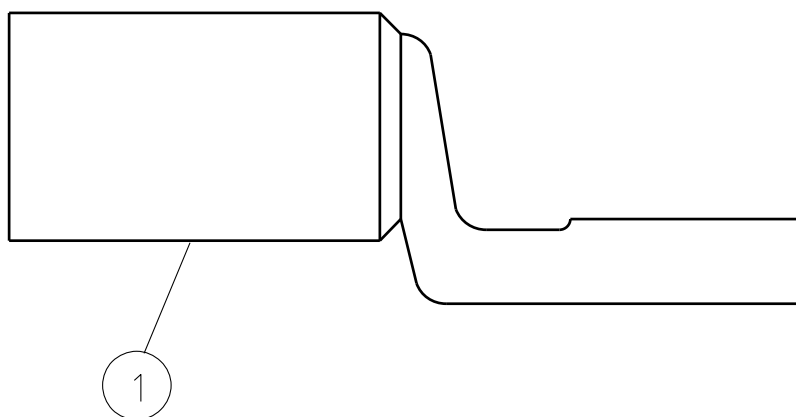
ITEM NUMBER	STOCK CODE	DESCRIPTION	QTY RQD	UNIT OF MEASURE	REMARKS
1	FL7681	Bi metal lug	1	ea	

CN10_7/475		Lug bi-metal M10 hole_7/4.75			
------------	--	------------------------------	--	--	--

ITEM NUMBER	STOCK CODE	DESCRIPTION	QTY RQD	UNIT OF MEASURE	REMARKS
1	FL7684	Bi metal lug	1	ea	

CN10_19/325		Lug bi-metal M10 hole_19/3.25			
-------------	--	-------------------------------	--	--	--

ITEM NUMBER	STOCK CODE	DESCRIPTION	QTY RQD	UNIT OF MEASURE	REMARKS
1	FL7685	Bi metal lug	1	ea	



				COMPATIBLE UNIT		DISTRIBUTION DESIGN CATALOGUE			
				TITLE		DRAWN: JRR DATE: 10-04-2014		DRG. No.	
				LUG BI-METAL, M12 HOLE		ORIGINATED: SCALE: NTS		CN11	
						CHECKED: REE		REV. B	
						APPROVED: GRANT STACY		SHT.	
B	21.01.99	ORIGINAL ISSUE							
REV	DATE	DESCRIPTION		ORGD.	KHKD.	APRD.			

CU	CU Description
-----------	-----------------------

CN11_7/250		Lug bi-metal M12 hole_ 7/2.50			
------------	--	-------------------------------	--	--	--

ITEM NUMBER	STOCK CODE	DESCRIPTION	QTY RQD	UNIT OF MEASURE	REMARKS
1	FL7686	Bi metal lug	1	ea	

CN11_7/300		Lug bi-metal M12 hole_ 7/3.00			
------------	--	-------------------------------	--	--	--

ITEM NUMBER	STOCK CODE	DESCRIPTION	QTY RQD	UNIT OF MEASURE	REMARKS
1	FL7687	Bi metal lug	1	ea	

CN11_7/375		Lug bi-metal M12 hole_ 7/3.75			
------------	--	-------------------------------	--	--	--

ITEM NUMBER	STOCK CODE	DESCRIPTION	QTY RQD	UNIT OF MEASURE	REMARKS
1	FL7688	Bi metal lug	1	ea	

CN11_7/475		Lug bi-metal M12 hole_ 7/4.75			
------------	--	-------------------------------	--	--	--

ITEM NUMBER	STOCK CODE	DESCRIPTION	QTY RQD	UNIT OF MEASURE	REMARKS
1	FL7689	Bi metal lug	1	ea	

CN11_19/325		Lug bi-metal M12 hole_ 19/3.25			
-------------	--	--------------------------------	--	--	--

ITEM NUMBER	STOCK CODE	DESCRIPTION	QTY RQD	UNIT OF MEASURE	REMARKS
1	FL7690	Bi metal lug	1	ea	

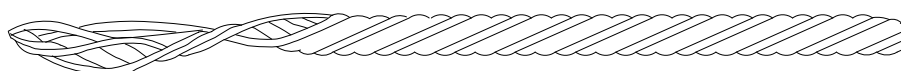
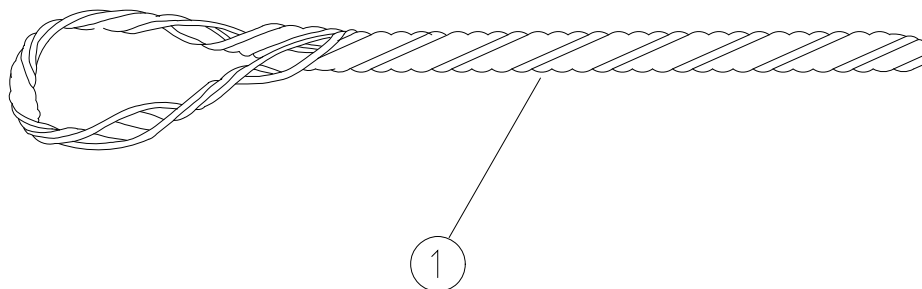
CN11_95		Lug bi-metal M12 hole_ 95LV ABC			
---------	--	---------------------------------	--	--	--

ITEM NUMBER	STOCK CODE	DESCRIPTION	QTY RQD	UNIT OF MEASURE	REMARKS
1	FL0401	Bi metal lug	1	ea	

CN11_150		Lug bi-metal M12 hole_ 150 LV ABC			
----------	--	-----------------------------------	--	--	--

ITEM NUMBER	STOCK CODE	DESCRIPTION	QTY RQD	UNIT OF MEASURE	REMARKS
1	FL0402	Bi metal lug	1	ea	





				COMPATIBLE UNIT		DISTRIBUTION DESIGN CATALOGUE			
				TITLE		DRAWN: JRR DATE: 27-03-2014		DRG. No.	
				HELICAL TERMINATION		ORIGINATED: SCALE: NTS		CN13	
						CHECKED: REE		REV. SHT.	
						APPROVED: GRANT STACY		B	
A	21.01.99	ORIGINAL ISSUE							
REV	DATE	DESCRIPTION		ORGD.	CHKD.	APRD.			

CU	CU Description
-----------	-----------------------

CN13_7/250AA		Helical termination AAC & AAAC_ 7/2.50			
--------------	--	--	--	--	--

ITEM NUMBER	STOCK CODE	DESCRIPTION	QTY RQD	UNIT OF MEASURE	REMARKS
1	CF0752	helical termination	1	ea	

CN13_7/475AA		Helical termination AAC & AAAC_ 7/4.75			
--------------	--	--	--	--	--

ITEM NUMBER	STOCK CODE	DESCRIPTION	QTY RQD	UNIT OF MEASURE	REMARKS
1	CF0757	helical termination	1	ea	

CN13_19/325A		Helical termination AAC & AAAC_19/3.25			
--------------	--	--	--	--	--

ITEM NUMBER	STOCK CODE	DESCRIPTION	QTY RQD	UNIT OF MEASURE	REMARKS
1	CF0758	helical termination	1	ea	

CN13_3/275GZ		Helical termination SCGZ_3/2.75			
--------------	--	---------------------------------	--	--	--

ITEM NUMBER	STOCK CODE	DESCRIPTION	QTY RQD	UNIT OF MEASURE	REMARKS
1	CF0661	helical termination	1	ea	

CN13_7/160GZ		Helical termination SCGZ_7/1.60			
--------------	--	---------------------------------	--	--	--

ITEM NUMBER	STOCK CODE	DESCRIPTION	QTY RQD	UNIT OF MEASURE	REMARKS
1	CF0669	helical termination	1	ea	

CN13_3/275AC		Helical termination SCAC_ 3/2.75			
--------------	--	----------------------------------	--	--	--

ITEM NUMBER	STOCK CODE	DESCRIPTION	QTY RQD	UNIT OF MEASURE	REMARKS
1	CF0700	helical termination	1	ea	

CN13_7/160CU		Helical termination copper_7/160			
--------------	--	----------------------------------	--	--	--

ITEM NUMBER	STOCK CODE	DESCRIPTION	QTY RQD	UNIT OF MEASURE	REMARKS
1	CF0551	helical termination	1	ea	

CN13_7/200CU		Helical termination copper_7/200			
--------------	--	----------------------------------	--	--	--

ITEM NUMBER	STOCK CODE	DESCRIPTION	QTY RQD	UNIT OF MEASURE	REMARKS
1	CF0553	helical termination	1	ea	

CU	CU Description
-----------	-----------------------

CN13_7/275CU Helical termination copper_7/275					
ITEM NUMBER	STOCK CODE	DESCRIPTION	QTY RQD	UNIT OF MEASURE	REMARKS
1	CF0554	helical termination	1	ea	

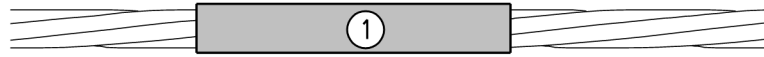
CN13_19/214CU Helical termination copper_19/2.14					
ITEM NUMBER	STOCK CODE	DESCRIPTION	QTY RQD	UNIT OF MEASURE	REMARKS
1	CF0566	helical termination	1	ea	

CN13_19/275CU Helical termination copper_19/2.75					
ITEM NUMBER	STOCK CODE	DESCRIPTION	QTY RQD	UNIT OF MEASURE	REMARKS
1	CF0540	helical termination	1	ea	

CN13_7/300AA Termination – AAC and AAAC_7/3.00					
ITEM NUMBER	STOCK CODE	DESCRIPTION	QTY RQD	UNIT OF MEASURE	REMARKS
1	CF0520	helical termination	1	ea	

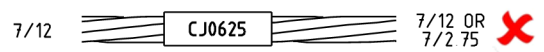
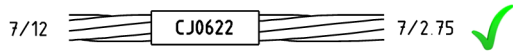
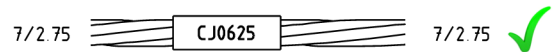
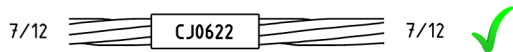
CN13_7/375AA Termination – AAC and AAAC_7/3.75					
ITEM NUMBER	STOCK CODE	DESCRIPTION	QTY RQD	UNIT OF MEASURE	REMARKS
1	CF0522	helical termination	1	ea	

CN13_7/450AA Termination – AAC and AAAC_7/4.50					
ITEM NUMBER	STOCK CODE	DESCRIPTION	QTY RQD	UNIT OF MEASURE	REMARKS
1	CF0524	helical termination	1	ea	



FULL TENSION SLEEVE

NOTE:-



HELICAL SPLICE FOR SMALL HV STEEL CONDUCTORS

WP Stock code	Conductor
CF0471	3/2.75 SCGZ
CF0160	3/2.75 SCAC
CF0479	7/1.60 SCGZ
CF0475	7/2.75 SCGZ

STOCK CODES FOR HELICAL SPLICES

				COMPATIBLE UNIT				DISTRIBUTION DESIGN CATALOGUE		westernpower			
G	14 06 16	TABLE DELETED		REE	JC	GS		DRAWN	JRR	DATE	27-03-2014	DRG No	
F	09 10 15	TITLE CHANGED AND TABLE 2 ADDED		REE	REE	GS		ORIGINATED		SCALE	NTS		
E	23 03 15	STOCK CODE CJ0630 WAS CJ0620 AND CJ0633 WAS CJ0623		JC	REE	GS		CHECKED	REE				CN17
D	27 03 14	FORMAT CHANGED				GS		APPROVED				REV	ISHT
C	19 12 13	ORIGINAL ISSUE										G	
REV	DATE	DESCRIPTION		ORGO	CHKD	APRD		APPROVED		GRANT STACY			

CU	CU Description
-----------	-----------------------

CN17_7/250	Full tension comp joint–AAC/AAAC_7/2.50
------------	---

ITEM NUMBER	STOCK CODE	DESCRIPTION	QTY RQD	UNIT OF MEASURE	REMARKS
1	CJ0600	Full tension sleeve	1	ea	

CN17_7/300	Full tension comp joint–AAC/AAAC_7/3.00
------------	---

ITEM NUMBER	STOCK CODE	DESCRIPTION	QTY RQD	UNIT OF MEASURE	REMARKS
1	CJ0593	Full tension sleeve	1	ea	

CN17_7/375	Full tension comp joint–AAC/AAAC_7/3.75
------------	---

ITEM NUMBER	STOCK CODE	DESCRIPTION	QTY RQD	UNIT OF MEASURE	REMARKS
1	CJ0583	Full tension sleeve	1	ea	

CN17_7/475	Full tension comp joint–AAC/AAAC_7/4.75
------------	---

ITEM NUMBER	STOCK CODE	DESCRIPTION	QTY RQD	UNIT OF MEASURE	REMARKS
1	CJ0208	Full tension sleeve	1	ea	

CN17_19/325	Full tension comp joint–AAC/AAAC_19/3.25
-------------	--

ITEM NUMBER	STOCK CODE	DESCRIPTION	QTY RQD	UNIT OF MEASURE	REMARKS
1	CJ0591	Full tension sleeve	1	ea	

CN17_7/1.60	Full tension comp joint–SCGZ_7/1.60 (7/16)
-------------	--

ITEM NUMBER	STOCK CODE	DESCRIPTION	QTY RQD	UNIT OF MEASURE	REMARKS
1	CF0479	Splice, Conductor Straight	1	ea	

CN17_7/12	Full tension comp joint – copper_7/12
-----------	---------------------------------------

ITEM NUMBER	STOCK CODE	DESCRIPTION	QTY RQD	UNIT OF MEASURE	REMARKS
1	CJ0622	Full tension sleeve	1	ea	

CN17_7/14	Full tension comp joint – copper_7/14
-----------	---------------------------------------

ITEM NUMBER	STOCK CODE	DESCRIPTION	QTY RQD	UNIT OF MEASURE	REMARKS
1	CJ0633	Full tension sleeve	1	ea	

CU	CU Description
-----------	-----------------------

CN17_7/16		Full tension comp joint – copper_7/16 (7/1.70)			
-----------	--	--	--	--	--

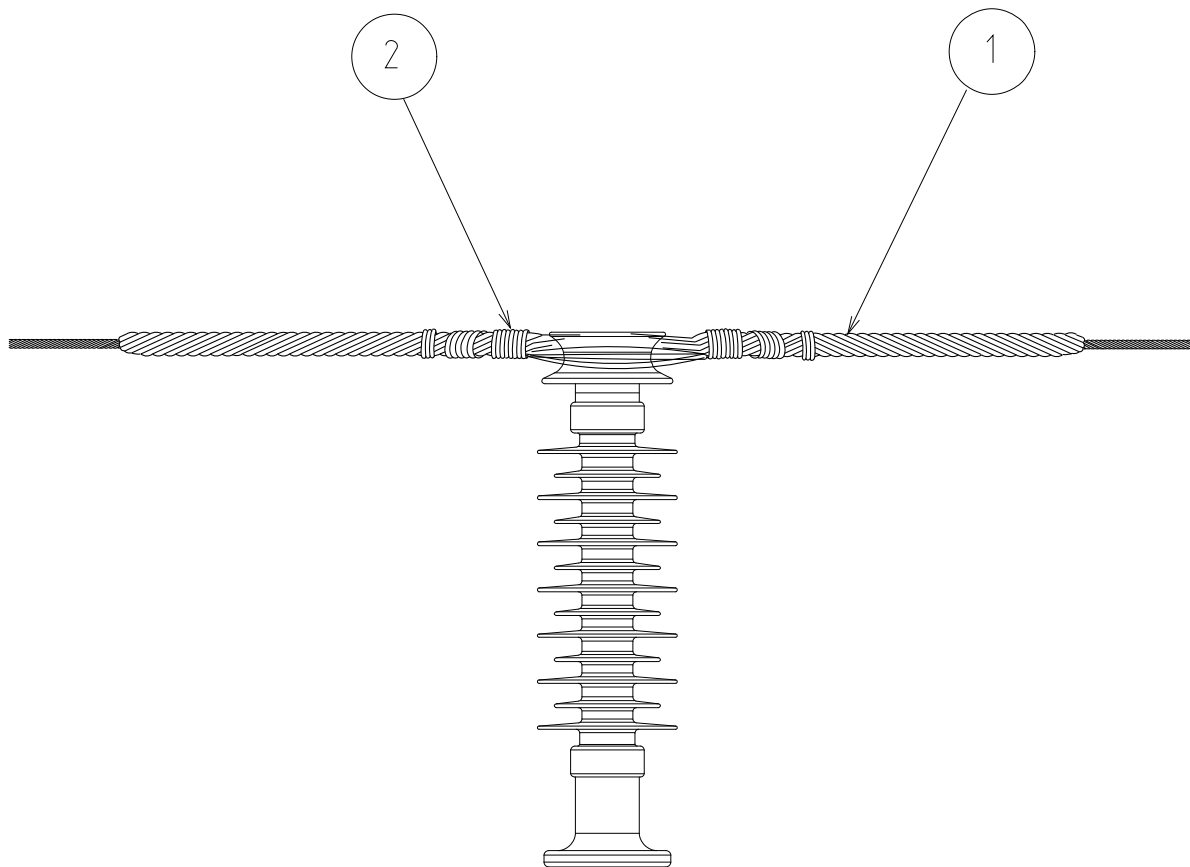
ITEM NUMBER	STOCK CODE	DESCRIPTION	QTY RQD	UNIT OF MEASURE	REMARKS
1	CJ0630	Splice,Conductor-straight	1	ea	

CN17_19/14		Full tension comp joint – copper_19/14 (19/2.00)			
------------	--	--	--	--	--

ITEM NUMBER	STOCK CODE	DESCRIPTION	QTY RQD	UNIT OF MEASURE	REMARKS
1	CJ0636	Splice,Conductor-straight	1	ea	

CN17_19/16		Full tension comp joint – copper_19/16 (19/1.70)			
------------	--	--	--	--	--

ITEM NUMBER	STOCK CODE	DESCRIPTION	QTY RQD	UNIT OF MEASURE	REMARKS
1	CJ0625	Splice,Conductor-straight	1	ea	



ARMOUR ROD

ARMOUR RODS TO BE INSTALLED ON ALL BAYS
TENSIONED AT 18% CBL OR GREATER.

				COMPATIBLE UNIT		DISTRIBUTION DESIGN CATALOGUE			
				TITLE		DRAWN: JRR DATE: 27-03-2014		DRG. No.	
				ARMOUR RODS		ORIGINATED: SCALE: NTS		CN18	
						CHECKED: REE		REV. C	
						APPROVED: GRANT STACY		SHT.	
C	18.05.13	ORIGINAL ISSUE							
REV	DATE	DESCRIPTION		ORGD.	CHKD.	APRD.			

CU	CU Description
-----------	-----------------------

CN18_7/250AA Armour rods – AAC & AAAC_ 7/2.50					
ITEM NUMBER	STOCK CODE	DESCRIPTION	QTY RQD	UNIT OF MEASURE	REMARKS
1	CF0238	Armour rod	1	ea	
2	CT0164	Aluminium tie	1	ea	

CN18_7/300AA Armour rods for AA & AAA 7/3.00 & 6/1/3.00 ACSR					
ITEM NUMBER	STOCK CODE	DESCRIPTION	QTY RQD	UNIT OF MEASURE	REMARKS
1	CF0239	Armour rod	1	ea	
2	CT0164	Aluminium tie	1	ea	

CN18_7/375AA Armour rods for AAC & AAAC 7/3.75					
ITEM NUMBER	STOCK CODE	DESCRIPTION	QTY RQD	UNIT OF MEASURE	REMARKS
1	CF0240	Armour rod	1	ea	
2	CT0164	Aluminium tie	1	ea	

CN18_7/475AA Armour rods – AAC & AAAC_ 7/4.75					
ITEM NUMBER	STOCK CODE	DESCRIPTION	QTY RQD	UNIT OF MEASURE	REMARKS
1	CF0237	Armour rod	1	ea	
2	CT0164	Aluminium tie	1	ea	

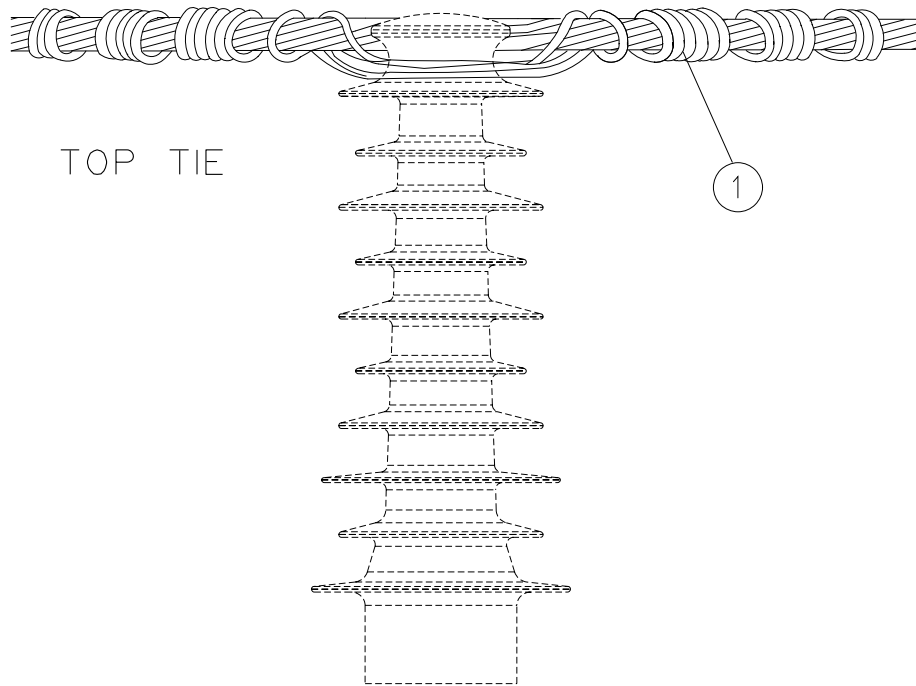
CN18_19/325A Armour rods – AAC & AAAC_ 19/3.25					
ITEM NUMBER	STOCK CODE	DESCRIPTION	QTY RQD	UNIT OF MEASURE	REMARKS
1	CF0345	Armour rod	1	ea	
2	CT0164	Aluminium tie	1	ea	

CN18_3/275GZ Armour rods – SCGZ_ 3/2.75					
ITEM NUMBER	STOCK CODE	DESCRIPTION	QTY RQD	UNIT OF MEASURE	REMARKS
1	CF0258	armour rod	1	ea	
2	CT0164	Aluminium tie	1	ea	

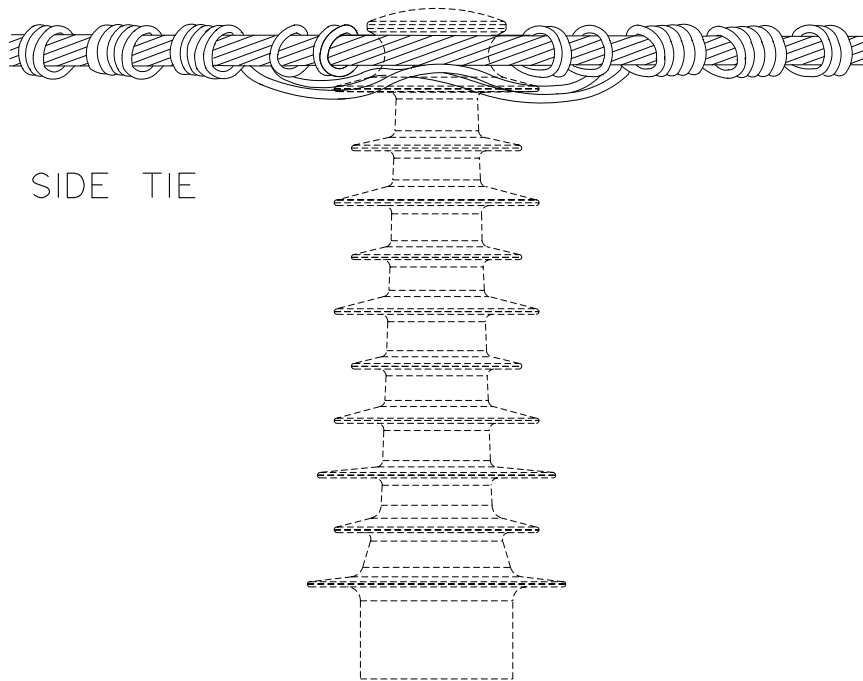
CN18_7/1.6S Armour rods – SCGZ_ 7/1.60					
ITEM NUMBER	STOCK CODE	DESCRIPTION	QTY RQD	UNIT OF MEASURE	REMARKS
1	CF0257	armour rod	1	ea	
2	CT0164	Aluminium tie	1	ea	

CU	CU Description
-----------	-----------------------

CN18_3/275AC		Armour rods – SCAC_3/2.75			
ITEM NUMBER	STOCK CODE	DESCRIPTION	QTY RQD	UNIT OF MEASURE	REMARKS
1	CF0350	armour rod	1	ea	
2	CT0164	Aluminium tie	1	ea	



TOP TIE



SIDE TIE

				COMPATIBLE UNIT		DISTRIBUTION DESIGN CATALOGUE			
				TITLE		DRAWN: JRR DATE: 27-03-2014		DRG. No.	
				TIES FOR HIGH & LOW VOLTAGE AAC, AAAC & SCAC		ORIGINATED: SCALE: NTS		CN26	
						CHECKED: REE		APPROVED: GRANT STACY	
REV	DATE	DESCRIPTION	DRG.	CHKD.	APRD.			REV.	SHT.
D	20.06.16	TITLE CHANGED	JC	REE	GS			D	
C	15.05.13	ORIGINAL ISSUE							



CU	CU Description
-----------	-----------------------

CN26_3/275		Ties HV / LV - AAC & AAAC & SCAC_3/2.75			
------------	--	---	--	--	--

ITEM NUMBER	STOCK CODE	DESCRIPTION	QTY RQD	UNIT OF MEASURE	REMARKS
1	CT0164	Conductor tie	1	ea	

CN26_7/250		Ties HV / LV - AAC & AAAC_7/2.50			
------------	--	----------------------------------	--	--	--

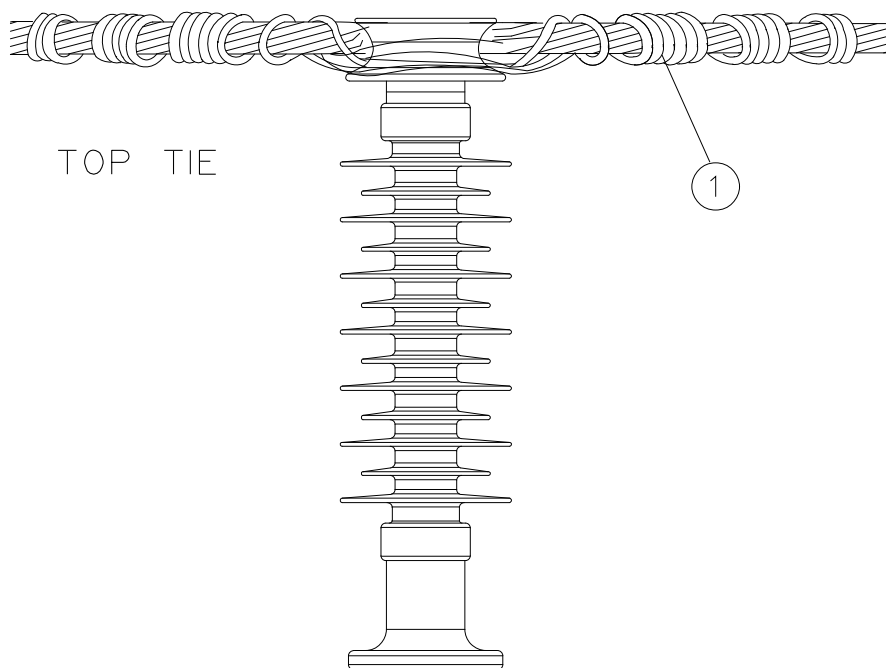
ITEM NUMBER	STOCK CODE	DESCRIPTION	QTY RQD	UNIT OF MEASURE	REMARKS
1	CT0164	Conductor tie	1	ea	

CN26_7/475		Ties HV / LV - AAC & AAAC_7/4.75			
------------	--	----------------------------------	--	--	--

ITEM NUMBER	STOCK CODE	DESCRIPTION	QTY RQD	UNIT OF MEASURE	REMARKS
1	CT0164	Conductor tie	1	ea	

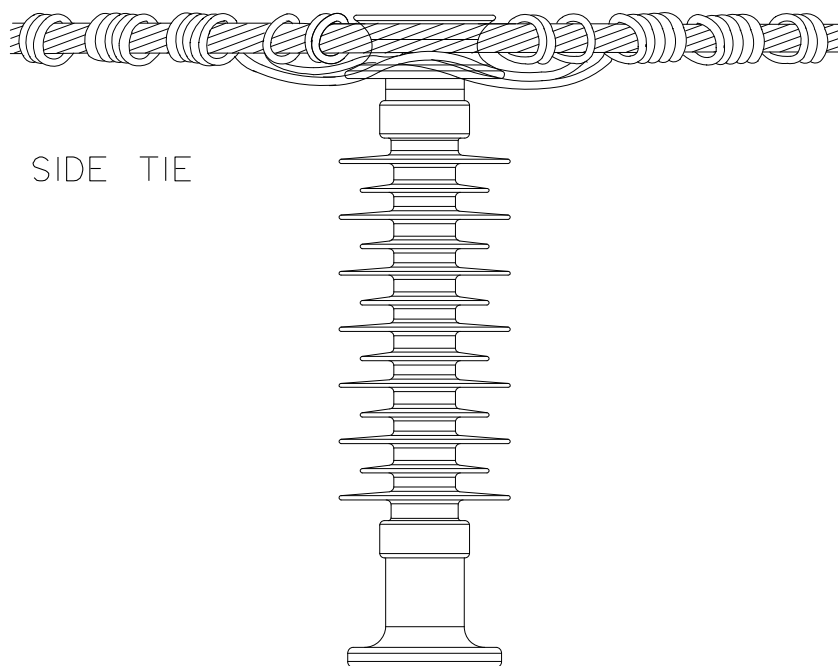
CN26_19/325		Ties HV / LV - AAC & AAAC_19/3.25			
-------------	--	-----------------------------------	--	--	--

ITEM NUMBER	STOCK CODE	DESCRIPTION	QTY RQD	UNIT OF MEASURE	REMARKS
1	CT0164	Conductor tie	1	ea	



TOP TIE

1



SIDE TIE

				COMPATIBLE UNIT		DISTRIBUTION DESIGN CATALOGUE			
				TITLE		DRAWN: JRR DATE: 27-03-2014		DRG. No.	
				TIES FOR		ORIGINATED: SCALE: NTS		CN27	
				STEEL & COPPER CONDUCTOR		CHECKED: REE		REV. C	
						APPROVED: GRANT STACY		SHT.	
C	15.05.13	ORIGINAL ISSUE							
REV	DATE	DESCRIPTION		ORGD.	CHKD.	APRD.			

CU	CU Description
-----------	-----------------------

CN27_3/275		Ties steel_ 3/2.75 and all SCGZ			
------------	--	---------------------------------	--	--	--

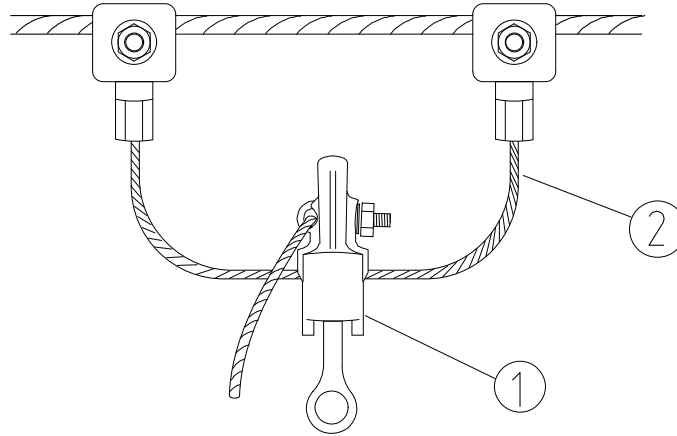
ITEM NUMBER	STOCK CODE	DESCRIPTION	QTY RQD	UNIT OF MEASURE	REMARKS
1	CT0164	Conductor tie	1	ea	

CN27_CULV		Ties LV copper			
-----------	--	----------------	--	--	--

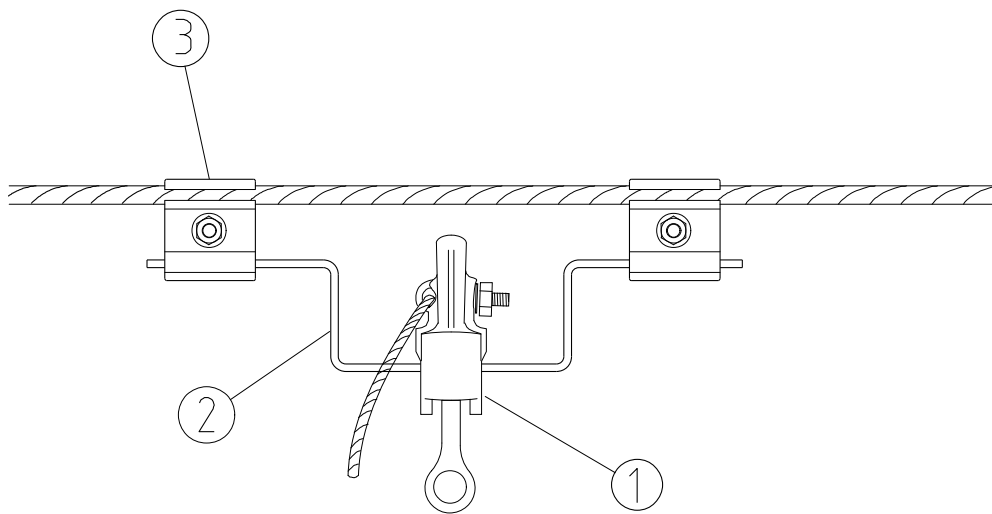
ITEM NUMBER	STOCK CODE	DESCRIPTION	QTY RQD	UNIT OF MEASURE	REMARKS
1	CT0204	Conductor tie	1	ea	

CN27_CUHV		Ties HV copper			
-----------	--	----------------	--	--	--

ITEM NUMBER	STOCK CODE	DESCRIPTION	QTY RQD	UNIT OF MEASURE	REMARKS
1	CT0209	Conductor tie	1	ea	



FOR ALUMINIUM AND COPPER CONDUCTORS



FOR SCGZ OR SCGZ/SCAC

* SPLICE TO BE APPLIED TO ALL 7/16 SC/GZ

				COMPATIBLE UNIT			DISTRIBUTION DESIGN CATALOGUE			
				TITLE			DRAWN: JRR		DATE: 27-03-2014	
				STIRRUP LIVE LINE CLAMP			ORIGINATED:		SCALE: NTS	
							CHECKED: REE		DRG. No. CN30	
							APPROVED: GRANT STACY		REV. D	
REV	DATE	DESCRIPTION	ORGD.	CHKD.	APRD.			SHT.		
D	02.06.20	CONDUCTOR SPECIFICATION CHANGED	REE	CO	LT					
C	29.10.20	NOTE ADDED	REE	CO	GS					
B	20.06.16	DETAILS FOR SCGZ OR SCGZ/SCAC ADDED	JC	REE	GS					
A	21.01.99	ORIGINAL ISSUE								

CU	CU Description
-----------	-----------------------

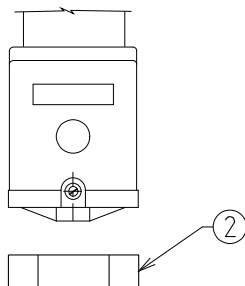
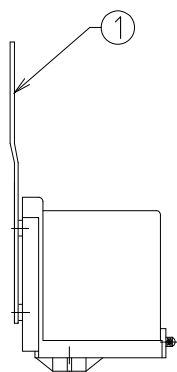
CN30_7/250		Stirrup live line clamp_ 7/2.50			
ITEM NUMBER	STOCK CODE	DESCRIPTION	QTY RQD	UNIT OF MEASURE	REMARKS
1	CC0497	live line clamp	1	ea	
2	FC0101	stirrup	1	ea	

CN30_7/475		Stirrup live line clamp_ 7/4.75			
ITEM NUMBER	STOCK CODE	DESCRIPTION	QTY RQD	UNIT OF MEASURE	REMARKS
1	CC0497	live line clamp	1	ea	
2	FC0101	stirrup	1	ea	

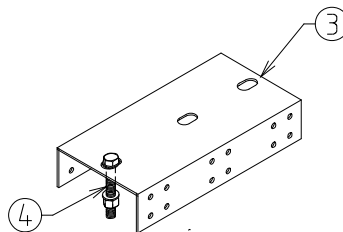
CN30_19/325		Stirrup live line clamp_19/3.25			
ITEM NUMBER	STOCK CODE	DESCRIPTION	QTY RQD	UNIT OF MEASURE	REMARKS
1	CC0497	live line clamp	1	ea	
2	FC0101	stirrup	1	ea	

CN30_7/16		Stirrup live line clamp_7/16 SCGZ			
ITEM NUMBER	STOCK CODE	DESCRIPTION	QTY RQD	UNIT OF MEASURE	REMARKS
1	CC0497	live line clamp	1	ea	
2	FC0105	stirrup	1	ea	
3	CF0479	Helical splice	1	ea	
4	CC0224	PG Clamp	2	ea	

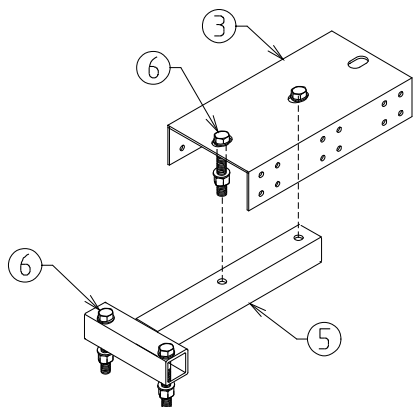
CN30_3/275		Stirrup live line clamp_3/275 SCGZ/SCAC			
ITEM NUMBER	STOCK CODE	DESCRIPTION	QTY RQD	UNIT OF MEASURE	REMARKS
1	CC0497	live line clamp	1	ea	
2	FC0105	stirrup	1	ea	
3	CC0224	PG clamp	2	ea	



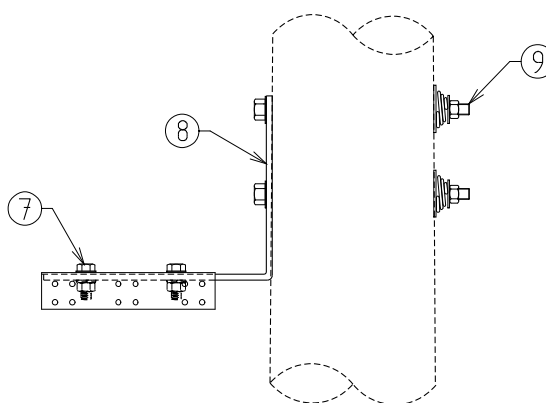
STANDARD FUSE AND HOLDER



FUSE ON BARE NETWORK



FUSE ON LV ABC



FUSE ON POLE

				COMPATIBLE UNIT		DISTRIBUTION DESIGN CATALOGUE		westernpower	
				TITLE		DRAWN: JRR		DATE: 27-03-2014	
				POLE MOUNTED LV FUSE HOLDER		ORIGINATED: SCALE: NTS		DRG. No. CN35	
						CHECKED: REE		APPROVED: GRANT STACY	
						REV. DATE		REV. B	
						DESCRIPTION		SHT.	
				DRG. CHKD. APRD.					

CU	CU Description
-----------	-----------------------

CN35_10 Pole mounted LV fuse holder with 10amp					
ITEM NUMBER	STOCK CODE	DESCRIPTION	QTY RQD	UNIT OF MEASURE	REMARKS
1	GF1801	fuse holder	1	ea	
2	GF0550	fuse	1	ea	

CN35_32 Pole mounted LV fuse holder with 32amp					
ITEM NUMBER	STOCK CODE	DESCRIPTION	QTY RQD	UNIT OF MEASURE	REMARKS
1	GF1801	fuse holder	1	ea	
2	GF1940	fuse	1	ea	

CN35_50 Pole mounted LV fuse holder with 50amp					
ITEM NUMBER	STOCK CODE	DESCRIPTION	QTY RQD	UNIT OF MEASURE	REMARKS
1	GF1801	fuse holder	1	ea	
2	GF1930	fuse	1	ea	

CN35_60 Pole mounted LV fuse holder with 60amp					
ITEM NUMBER	STOCK CODE	DESCRIPTION	QTY RQD	UNIT OF MEASURE	REMARKS
1	GF1801	fuse holder	1	ea	
2	GF0551	fuse	1	ea	

CN35_80 Pole mounted LV fuse holder with 80amp					
ITEM NUMBER	STOCK CODE	DESCRIPTION	QTY RQD	UNIT OF MEASURE	REMARKS
1	GF1801	fuse holder	1	ea	
2	GF1944	fuse	1	ea	

CN35_100 Pole mounted LV fuse holder with 100amp					
ITEM NUMBER	STOCK CODE	DESCRIPTION	QTY RQD	UNIT OF MEASURE	REMARKS
1	GF1801	fuse holder	1	ea	
2	GF1947	fuse	1	ea	

CU	CU Description
-----------	-----------------------

CN35_Bare		Fuse on bare network			
ITEM NUMBER	STOCK CODE	DESCRIPTION	QTY RQD	UNIT OF MEASURE	REMARKS
3	CB3054	LV Fuse mounting bracket	1	ea	
4	AB4567	M12 x 150mm Bolt	1	ea	
4	AW3523	Round washer	2	ea	
4	AW2291	Lock washer	1	ea	

CN35_LV_ABC		Fuse on bare LV ABC			
ITEM NUMBER	STOCK CODE	DESCRIPTION	QTY RQD	UNIT OF MEASURE	REMARKS
3	CB3054	LV Fuse mounting bracket	1	ea	
5	CB3019	Bracket for fuse holder	1	ea	
6	AB4558	M12 x 75mm Bolt	4	ea	
6	AW3523	Washer	8	ea	
6	AW2291	Lock washer	4	ea	

CN35_Pole		Fuse on Pole			
ITEM NUMBER	STOCK CODE	DESCRIPTION	QTY RQD	UNIT OF MEASURE	REMARKS
3	CB3054	LV Fuse mounting bracket	1	ea	
7	AB4551	M12 x 40mm Bolt	2	ea	
7	AW3523	Washer	4	ea	
7	AW2291	Lock washer	2	ea	
8	GS6021	Mounting Bracket	1	ea	
9	AB6732	M16 x 550mm bolt with nut and washers	2	ea	

CN36_7/250		Conductor – AAC 7/2.50			
ITEM NUMBER	STOCK CODE	DESCRIPTION	QTY RQD	UNIT OF MEASURE	REMARKS
1	EK0001		1	mr	

CN36_7/475		Conductor – AAC 7/4.75			
ITEM NUMBER	STOCK CODE	DESCRIPTION	QTY RQD	UNIT OF MEASURE	REMARKS
1	EK0018		1	mr	

CU	CU Description
-----------	-----------------------

CN36_19/325		Conductor – AAC 19/3.25			
ITEM NUMBER	STOCK CODE	DESCRIPTION	QTY RQD	UNIT OF MEASURE	REMARKS
1	EK0010		1	mr	

CN37_7/1.60		Conductor – SCGZ 7/1.60			
ITEM NUMBER	STOCK CODE	DESCRIPTION	QTY RQD	UNIT OF MEASURE	REMARKS
1	ES0041		1	roll	440m per roll Use ES0040 for 440m drum

CN37_3/275		Conductor – SCAC 3/2.75			
ITEM NUMBER	STOCK CODE	DESCRIPTION	QTY RQD	UNIT OF MEASURE	REMARKS
1	ES0006		1	mr	

CN38_95		Conductor – LVABC 95			
ITEM NUMBER	STOCK CODE	DESCRIPTION	QTY RQD	UNIT OF MEASURE	REMARKS
1	EE1430		1	mr	

CN38_150		Conductor – LVABC 150			
ITEM NUMBER	STOCK CODE	DESCRIPTION	QTY RQD	UNIT OF MEASURE	REMARKS
1	EE1431		1	mr	

CN39_95/4M		Conductor – LVABC 95mm ² 4m 4 core tap jumper			
ITEM NUMBER	STOCK CODE	DESCRIPTION	QTY RQD	UNIT OF MEASURE	REMARKS
1	FT0095		1	ea	

CN39_150/4M		Conductor – LVABC 150mm ² 4m 4core tap jumper			
ITEM NUMBER	STOCK CODE	DESCRIPTION	QTY RQD	UNIT OF MEASURE	REMARKS
1	FT0150		1	ea	

CN41		Cable – 16 mm XLPE streetlight			
ITEM NUMBER	STOCK CODE	DESCRIPTION	QTY RQD	UNIT OF MEASURE	REMARKS
1	EE1421		1	mr	

CU	CU Description
-----------	-----------------------

CN42		Cable – 25 mm XLPE LV			
ITEM NUMBER	STOCK CODE	DESCRIPTION	QTY RQD	UNIT OF MEASURE	REMARKS
1	EE1425		1	mr	

CN43		Cable – 120 mm XLPE LV			
ITEM NUMBER	STOCK CODE	DESCRIPTION	QTY RQD	UNIT OF MEASURE	REMARKS
1	EC1100		1	mr	

CN45		Cable – 240 mm XLPE LV			
ITEM NUMBER	STOCK CODE	DESCRIPTION	QTY RQD	UNIT OF MEASURE	REMARKS
1	EC1102		1	mr	

CN46		Cable 22kV Al 35 mm TR-XLPE HV 3 x 1 core			
ITEM NUMBER	STOCK CODE	DESCRIPTION	QTY RQD	UNIT OF MEASURE	REMARKS
1	EC2101		1	mr	

CN47		Cable 22kV Al 35 mm TR-XLPE HV 1 core			
ITEM NUMBER	STOCK CODE	DESCRIPTION	QTY RQD	UNIT OF MEASURE	REMARKS
1	EC2141		1	mr	

CN48_22		Cable 22kV Al 185 mm TR-XLPE HV 3 x 1 core			
ITEM NUMBER	STOCK CODE	DESCRIPTION	QTY RQD	UNIT OF MEASURE	REMARKS
1	EC2163		1	mr	

CN48_33		Cable 33kV Al 185 mm TR-XLPE HV 3 x 1 core			
ITEM NUMBER	STOCK CODE	DESCRIPTION	QTY RQD	UNIT OF MEASURE	REMARKS
1	EC2551		1	mr	

CN49		Cable 22kV Cu 240 mm TR-XLPE HV 3 x 1 core			
ITEM NUMBER	STOCK CODE	DESCRIPTION	QTY RQD	UNIT OF MEASURE	REMARKS
1	EC2165		1	mr	

CU	CU Description
-----------	-----------------------

CN51 Cable 33kV Al 50 mm TR-XLPE HV 3 x 1 core					
ITEM NUMBER	STOCK CODE	DESCRIPTION	QTY RQD	UNIT OF MEASURE	REMARKS
1	EC2003		1	mr	

CN52_7/250 Conductor – AAAC 7/2.50					
ITEM NUMBER	STOCK CODE	DESCRIPTION	QTY RQD	UNIT OF MEASURE	REMARKS
1	EK0020		1	mr	

CN52_7/475 Conductor – AAAC 7/4.75					
ITEM NUMBER	STOCK CODE	DESCRIPTION	QTY RQD	UNIT OF MEASURE	REMARKS
1	EK0022		1	mr	

CN52_19/3.25 Conductor – AAAC 19/3.25					
ITEM NUMBER	STOCK CODE	DESCRIPTION	QTY RQD	UNIT OF MEASURE	REMARKS
1	EK0024		1	mr	

CN53 Cable 22kV Al 400 mm TR-XLPE HV 3 x 1 core					
ITEM NUMBER	STOCK CODE	DESCRIPTION	QTY RQD	UNIT OF MEASURE	REMARKS
1	EC2168		1	mr	

CN54 Cable protector plastic slabs 2.1m long					
ITEM NUMBER	STOCK CODE	DESCRIPTION	QTY RQD	UNIT OF MEASURE	REMARKS
1	CZ0505	Orange flat slab	1	ea	

CN56_25 Conduit 25 dia – 4m long					
ITEM NUMBER	STOCK CODE	DESCRIPTION	QTY RQD	UNIT OF MEASURE	REMARKS
1	GC0022	Rigid 4m	1	lg	

CN56_32 Conduit 32 dia – 4m long					
ITEM NUMBER	STOCK CODE	DESCRIPTION	QTY RQD	UNIT OF MEASURE	REMARKS
1	GC0023	Rigid 4m	1	lg	

CU	CU Description
-----------	-----------------------

CN56_50		Conduit 50 dia – 4m long			
---------	--	--------------------------	--	--	--

ITEM NUMBER	STOCK CODE	DESCRIPTION	QTY RQD	UNIT OF MEASURE	REMARKS
1	GC0025	Rigid 4m	1	lg	

CN56_80		Conduit 80 dia – 4m long			
---------	--	--------------------------	--	--	--

ITEM NUMBER	STOCK CODE	DESCRIPTION	QTY RQD	UNIT OF MEASURE	REMARKS
1	GC0028	Rigid 4m	1	lg	

CN56_100		Conduit 100 dia – 4m long			
----------	--	---------------------------	--	--	--

ITEM NUMBER	STOCK CODE	DESCRIPTION	QTY RQD	UNIT OF MEASURE	REMARKS
1	GC2123	Rigid 4m	1	lg	

CN56_125		Conduit 125 dia – 4m long			
----------	--	---------------------------	--	--	--

ITEM NUMBER	STOCK CODE	DESCRIPTION	QTY RQD	UNIT OF MEASURE	REMARKS
1	GC2122	Rigid 4m	1	lg	

CN56_150		Conduit 150 dia – 4m long			
----------	--	---------------------------	--	--	--

ITEM NUMBER	STOCK CODE	DESCRIPTION	QTY RQD	UNIT OF MEASURE	REMARKS
1	GC2121	Rigid 4m	1	lg	

CN56_100_CO		Conduit 100 dia – 6m long			
-------------	--	---------------------------	--	--	--

ITEM NUMBER	STOCK CODE	DESCRIPTION	QTY RQD	UNIT OF MEASURE	REMARKS
1	GC0029	Corflo 6m	1	lg	Only for use in congested areas

CN56_125_CO		Conduit 125 dia – 6m long			
-------------	--	---------------------------	--	--	--

ITEM NUMBER	STOCK CODE	DESCRIPTION	QTY RQD	UNIT OF MEASURE	REMARKS
1	GC0030	Corflo 6m	1	lg	Only for use in congested areas

CN56_150_CO		Conduit 150 dia – 6m long			
-------------	--	---------------------------	--	--	--

ITEM NUMBER	STOCK CODE	DESCRIPTION	QTY RQD	UNIT OF MEASURE	REMARKS
1	GC7863	Corflo 6m	1	lg	Only for use in congested areas

CU	CU Description
-----------	-----------------------

CN57		Cable 33kV Al 50 mm TR-XLPE HV 1 x 1 core			
ITEM NUMBER	STOCK CODE	DESCRIPTION	QTY RQD	UNIT OF MEASURE	REMARKS
1	EC2004		1	lg	

CN59_6/1/300		Conductor – AACSR 6/1/300			
ITEM NUMBER	STOCK CODE	DESCRIPTION	QTY RQD	UNIT OF MEASURE	REMARKS
1	EL0007		1	mr	

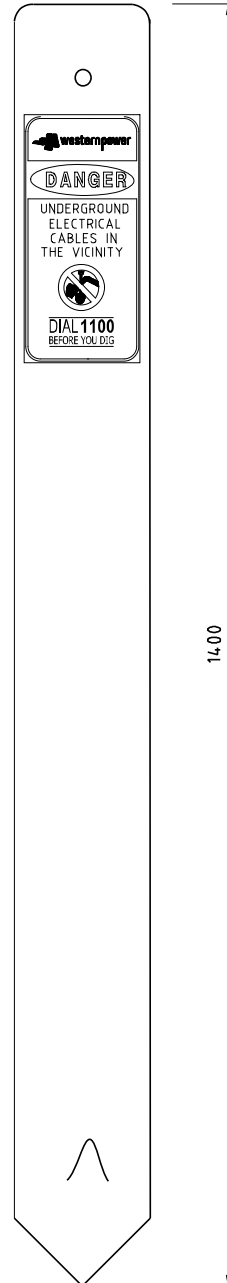
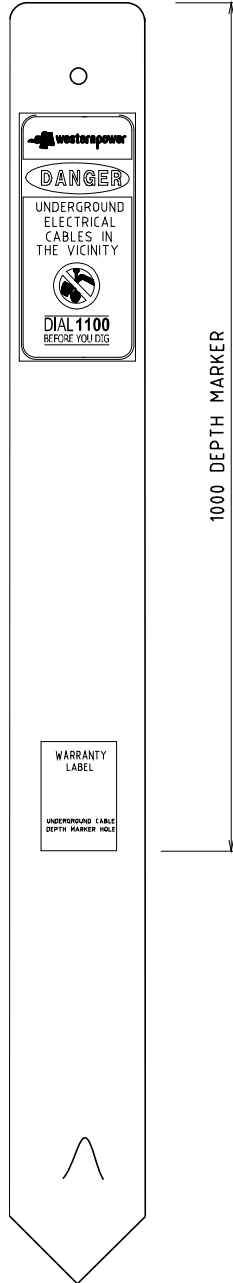
CN60_630AL		Conductor – 630mm AL			
ITEM NUMBER	STOCK CODE	DESCRIPTION	QTY RQD	UNIT OF MEASURE	REMARKS
1	EC1074	Double Insulated 630mm ² Al Conductor	1	mr	

CN60_400CU		Conductor – 400CU			
ITEM NUMBER	STOCK CODE	DESCRIPTION	QTY RQD	UNIT OF MEASURE	REMARKS
1	EC1075	Double Insulated 400mm ² Cu Conductor	1	mr	

CN61_125		Cable below warning, tape 125mm x 690m roll			
ITEM NUMBER	STOCK CODE	DESCRIPTION	QTY RQD	UNIT OF MEASURE	REMARKS
1	CZ0390	Identification tape 125mm wide	1	ro	

FRONT VIEW

BACK VIEW

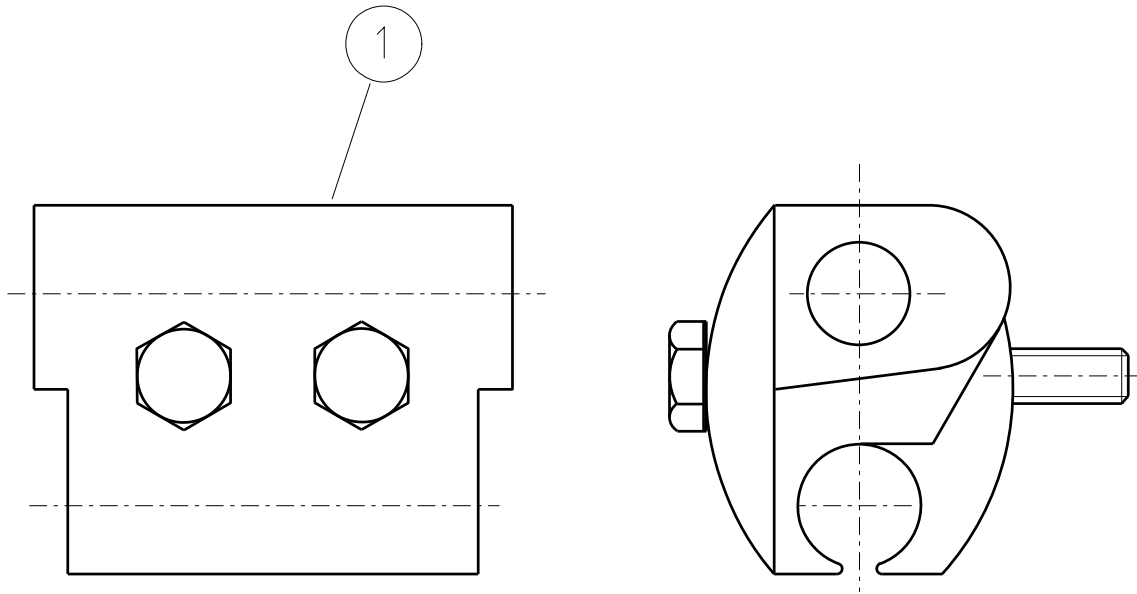


NOTE:
1. ALL DIMENSIONS ARE IN MILLIMETRES UNO.

				COMPATIBLE UNIT			DISTRIBUTION DESIGN CATALOGUE			
				TITLE			DRAWN: JRR		DATE: 13-03-2014	
				CO			ORIGINATED:		SCALE: NTS	
				NM: GS			CHECKED: DVT		DRG. No.	
				DVT			APPROVED:		CN64	
				APRD			GRANT STACY		REV: C	
REV	DATE	DESCRIPTION	ORGO	CHKD	APRD			SHT.		

CU	CU Description
-----------	-----------------------

CN64 ABOVE GROUND CABLE MARKER					
ITEM NUMBER	STOCK CODE	DESCRIPTION	QTY RQD	UNIT OF MEASURE	REMARKS
1	CR0327	SLEEVE, MARKER, CABLE	1	ea	



				COMPATIBLE UNIT			DISTRIBUTION DESIGN CATALOGUE				
				INSULATION PIERCING CLAMP ABC			DRAWN: JRR DATE: 27-03-2014		DRG. No.		
				MAIN LINE TEE OFF AND			ORIGINATED: SCALE: NTS		CN65		
				LARGE SINGLE SERVICE			CHECKED: REE		REV. C		
							APPROVED: GRANT STACY		SHT.		
REV	DATE	DESCRIPTION	ORGD	CHKD	APRD						
C	13.09.16	TITLE CHANGED		REE	JC	ME					
B	07.10.14	REDRAWN AND FORMAT CHANGED		REE	GS						
A	21.03.00	ORIGINAL ISSUE									

CU	CU Description
-----------	-----------------------

CN65_95/35		95 ABC to 6 – 35 service			
------------	--	--------------------------	--	--	--

ITEM NUMBER	STOCK CODE	DESCRIPTION	QTY RQD	UNIT OF MEASURE	REMARKS
1	CC0085	Insulation piercing clamp	1	ea	

CN65_95/95		95 ABC to 95 ABC			
------------	--	------------------	--	--	--

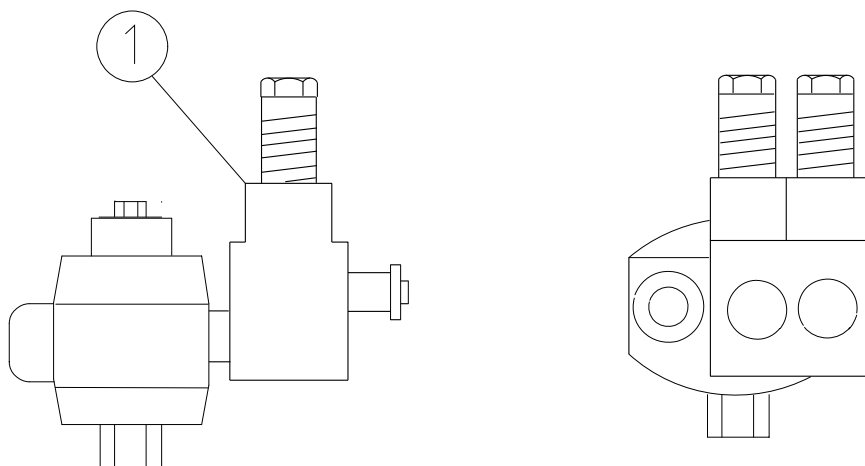
ITEM NUMBER	STOCK CODE	DESCRIPTION	QTY RQD	UNIT OF MEASURE	REMARKS
1	CC0081	Insulation piercing clamp	1	ea	

CN65_150/35		150 ABC to 6 – 35 service			
-------------	--	---------------------------	--	--	--

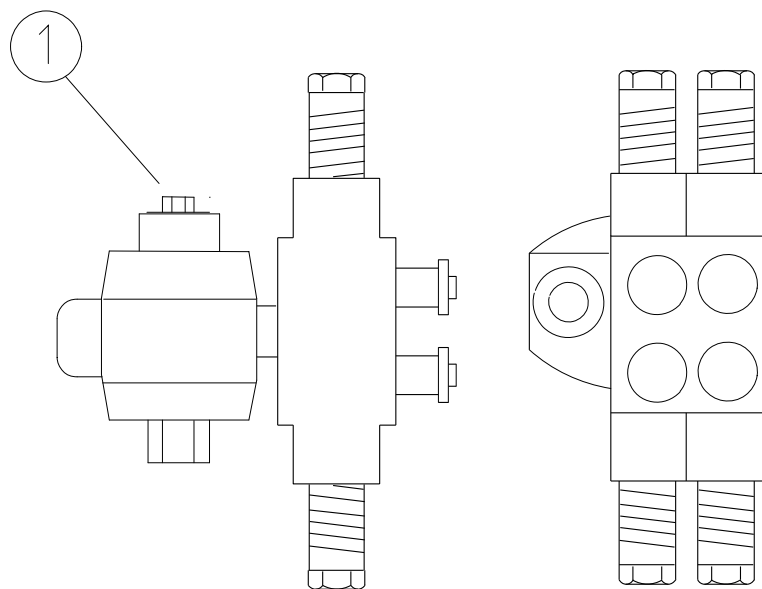
ITEM NUMBER	STOCK CODE	DESCRIPTION	QTY RQD	UNIT OF MEASURE	REMARKS
1	CC0085	Insulation piercing clamp	1	ea	

CN65_150/150		150 ABC to 95/150 ABC			
--------------	--	-----------------------	--	--	--

ITEM NUMBER	STOCK CODE	DESCRIPTION	QTY RQD	UNIT OF MEASURE	REMARKS
1	CC0081	Insulation piercing clamp	1	ea	



2 SERVICES PIERCING CLAMP



4 SERVICES PIERCING CLAMP

				COMPATIBLE UNIT			DISTRIBUTION DESIGN CATALOGUE		westernpower	
				TITLE			DRAWN: JRR		DATE: 28-03-2014	
				INSULATION PIERCING CLAMP			ORIGINATED:		SCALE: NTS	
				ABC TO 2 OR 4 SERVICES			CHECKED: REE		DRG. No.	
							APPROVED: GRANT STACY		CN68	
									REV. B	
B	20.06.16	4 SERVICES CLAMP ADDED		JC	REE	GS				
A	21.01.99	ORIGINAL ISSUE								
REV	DATE	DESCRIPTION		DRGD	CHKD	APRD				

CU	CU Description
-----------	-----------------------

CN68_95/35	95 ABC Main to 2 x 6-35 service
------------	---------------------------------

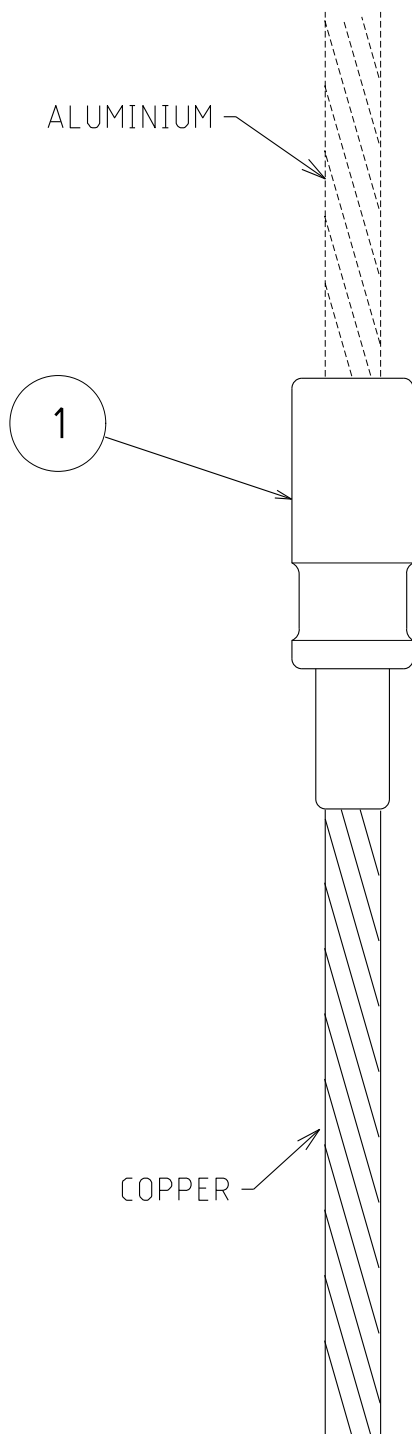
ITEM NUMBER	STOCK CODE	DESCRIPTION	QTY RQD	UNIT OF MEASURE	REMARKS
1	CC0079	Insulation piercing clamp	1	ea	

CN68_150/35	150 ABC Main to 2 x 6-35 service
-------------	----------------------------------

ITEM NUMBER	STOCK CODE	DESCRIPTION	QTY RQD	UNIT OF MEASURE	REMARKS
1	CC0079	Insulation piercing clamp	1	ea	

CN68_150/50	50-150 ABC Main to 4 x 6-35 service
-------------	-------------------------------------

ITEM NUMBER	STOCK CODE	DESCRIPTION	QTY RQD	UNIT OF MEASURE	REMARKS
1	CC0093	Insulation piercing clamp	1	ea	



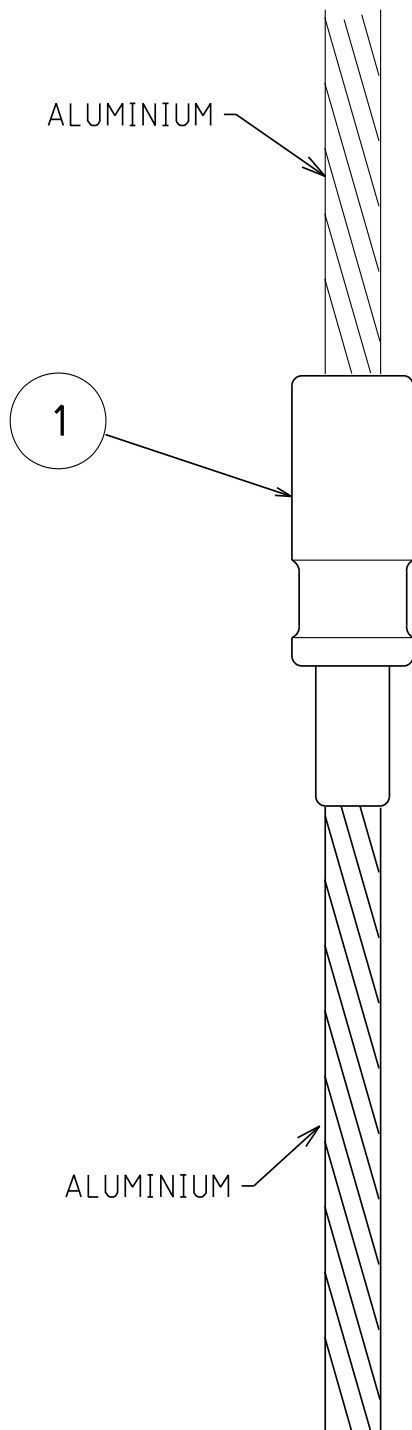
				COMPATIBLE UNIT			DISTRIBUTION DESIGN CATALOGUE			
				TITLE			DRAWN: JRR		DATE: 23-03-2014	
				SPLICE ABC TO BARE COPPER			ORIGINATED:		SCALE: NTS	
							CHECKED: REE		DRG. No. CN69	
							APPROVED: GRANT STACY		REV. B	
REV	DATE	DESCRIPTION	ORGO	CHKD	APRD					
B	20.06.16	ALUMINIUM CONDUCTOR ADDED	JC	REE	GS					
A	21.01.99	ORIGINAL ISSUE								



CU	CU Description
-----------	-----------------------

CN69_95		Splice - ABC to bare copper_95			
ITEM NUMBER	STOCK CODE	DESCRIPTION	QTY RQD	UNIT OF MEASURE	REMARKS
1	CJ0492	Splice	1	ea	

CN69_150		Splice - ABC to bare copper_150			
ITEM NUMBER	STOCK CODE	DESCRIPTION	QTY RQD	UNIT OF MEASURE	REMARKS
1	CJ0493	Splice	1	ea	



				COMPATIBLE UNIT			DISTRIBUTION DESIGN CATALOGUE		westernpower		
				TITLE			DRAWN: JRR		DATE: 23-03-2016		DRG. No.
				SPLICE ABC TO BARE ALUMINIUM			ORIGINATED:		SCALE: NTS		CN70
							CHECKED: REE		APPROVED:		
				APPROVED: GRANT STACY							
REV	DATE	DESCRIPTION	ORGD	CHKD	APRD						
B	20.06.16	ALUMINIUM CONDUCTOR ADDED	JC	REE	GS						
A	21.01.99	ORIGINAL ISSUE									

CU	CU Description
-----------	-----------------------

CN70_95	Splice - ABC to bare aluminium_95				
---------	-----------------------------------	--	--	--	--

ITEM NUMBER	STOCK CODE	DESCRIPTION	QTY RQD	UNIT OF MEASURE	REMARKS
1	CJ0494	Splice	1	ea	

CN70_150	Splice - ABC to bare aluminium_150				
----------	------------------------------------	--	--	--	--

ITEM NUMBER	STOCK CODE	DESCRIPTION	QTY RQD	UNIT OF MEASURE	REMARKS
1	CJ0496	Splice	1	ea	

CN71_2/6	Conductor 2 core twisted 6mm				
----------	------------------------------	--	--	--	--

ITEM NUMBER	STOCK CODE	DESCRIPTION	QTY RQD	UNIT OF MEASURE	REMARKS
1	EE1120	2c 6mm ² service cable	1	mr	

CN71_3/6	Conductor 3 core twisted 6mm				
----------	------------------------------	--	--	--	--

ITEM NUMBER	STOCK CODE	DESCRIPTION	QTY RQD	UNIT OF MEASURE	REMARKS
1	EE1124	3c 6mm ² service cable	1	mr	

CN71_4/6	Conductor 4 core twisted 6mm				
----------	------------------------------	--	--	--	--

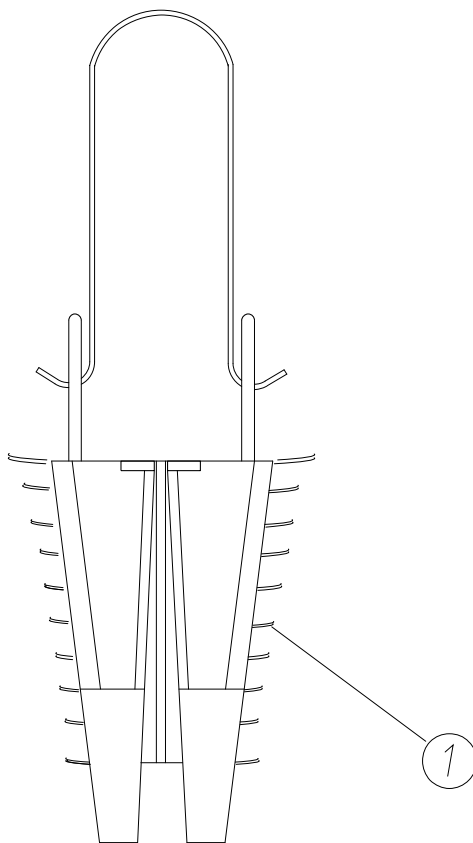
ITEM NUMBER	STOCK CODE	DESCRIPTION	QTY RQD	UNIT OF MEASURE	REMARKS
1	EE1122	4c 6mm ² service cable	1	mr	

CN71_2/16	Conductor 2 core twisted 16mm				
-----------	-------------------------------	--	--	--	--

ITEM NUMBER	STOCK CODE	DESCRIPTION	QTY RQD	UNIT OF MEASURE	REMARKS
1	EE1126	2c 16mm ² service cable	1	mr	

CN71_4/16	Conductor 4 core twisted 16mm				
-----------	-------------------------------	--	--	--	--

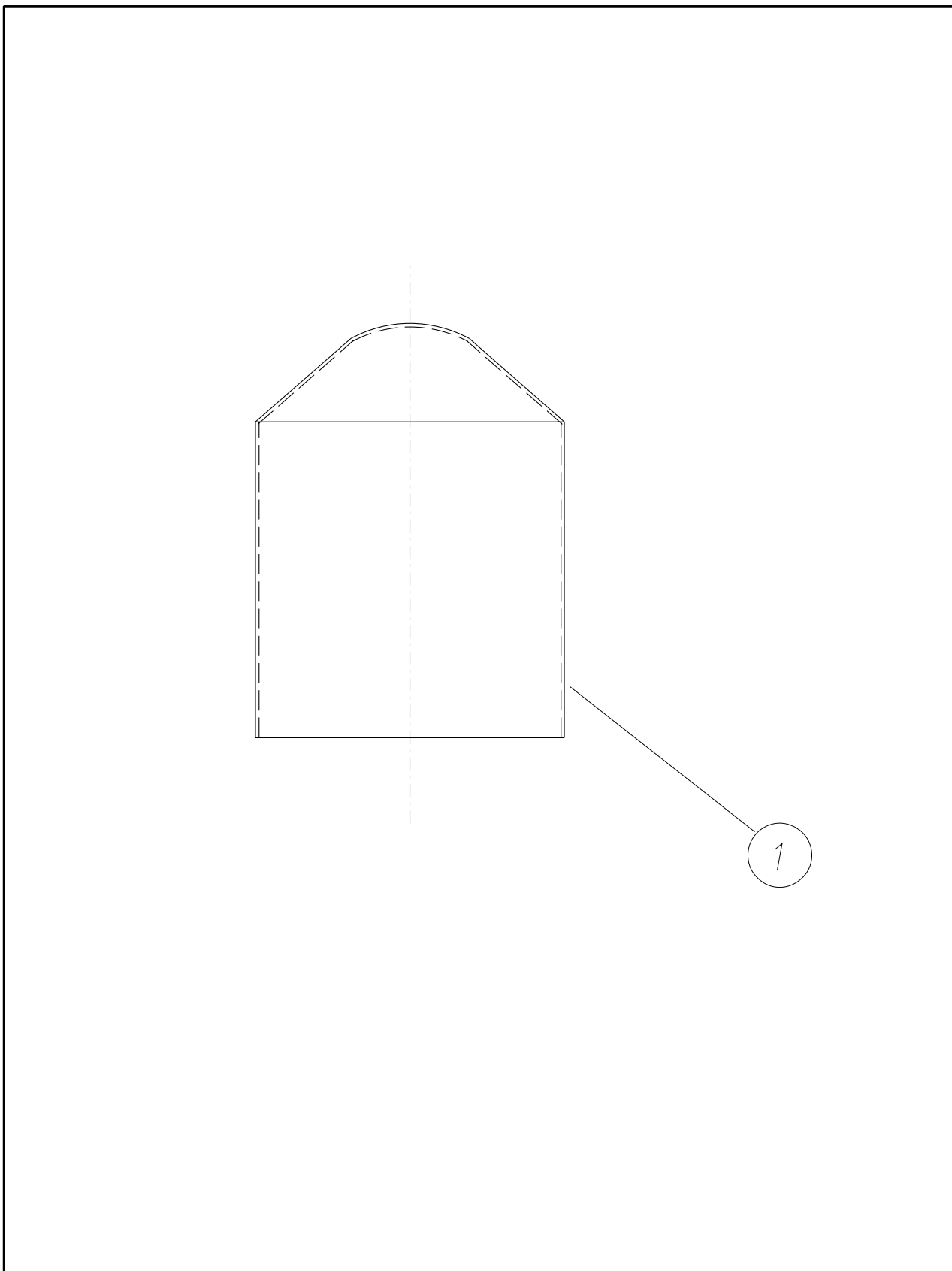
ITEM NUMBER	STOCK CODE	DESCRIPTION	QTY RQD	UNIT OF MEASURE	REMARKS
1	EE1128	4c 16mm ² service cable	1	mr	



				COMPATIBLE UNIT		DISTRIBUTION DESIGN CATALOGUE		westernpower	
				TITLE		DRAWN: JRR DATE: 28-03-2014 DRG. No.			
				STRAIN CLAMP		ORIGINATED: SCALE: NTS		CN72	
				HOUSE SERVICE &		CHECKED: REE		REV. A	
				STREET LIGHT FEED		APPROVED: GRANT STACY		SHT.	
REV	DATE	DESCRIPTION	ORGD.	CHKD.	APRD.				
A	27.09.13	ORIGINAL ISSUE							

CU	CU Description
-----------	-----------------------

CN72		Clamp strain - house service clamp			
ITEM NUMBER	STOCK CODE	DESCRIPTION	QTY RQD	UNIT OF MEASURE	REMARKS
1	CC0111	clamp	1	ea	



				COMPATIBLE UNIT		DISTRIBUTION DESIGN CATALOGUE			
				TITLE		DRAWN: JRR DATE: 28-03-2014		DRG. No.	
				CABLE END CAP		ORIGINATED: SCALE: NTS		CN73	
						CHECKED: REE		REV. A	
						APPROVED: GRANT STACY		SHT.	
A	13 04 03	ORIGINAL ISSUE		DRGO	CHKD	APRD			
REV	DATE	DESCRIPTION							

CU	CU Description
-----------	-----------------------

CN73_35/185		End Cap Heat Shrink 35 to 185 HV Cable			
-------------	--	--	--	--	--

ITEM NUMBER	STOCK CODE	DESCRIPTION	QTY RQD	UNIT OF MEASURE	REMARKS
1	FE0021	end cap	3	ea	

CN73_240		End Cap Heat Shrink 240-400 HV Cable			
----------	--	--------------------------------------	--	--	--

ITEM NUMBER	STOCK CODE	DESCRIPTION	QTY RQD	UNIT OF MEASURE	REMARKS
1	FE0023	end cap	3	ea	

CN73_LVMAIN		End Cap Heat Shrink 120 to 240 LV Cable			
-------------	--	---	--	--	--

ITEM NUMBER	STOCK CODE	DESCRIPTION	QTY RQD	UNIT OF MEASURE	REMARKS
1	FE0021	end cap	1	ea	

CN73_LV10/16		End Cap Push On 10/16 Streetlight Cable			
--------------	--	---	--	--	--

ITEM NUMBER	STOCK CODE	DESCRIPTION	QTY RQD	UNIT OF MEASURE	REMARKS
1	CJ0054	end cap	1	ea	

CN73_LV25		End Cap Push On 25 3core Screened Service Cable			
-----------	--	---	--	--	--

ITEM NUMBER	STOCK CODE	DESCRIPTION	QTY RQD	UNIT OF MEASURE	REMARKS
1	CJ0051	end cap	1	ea	



GRIPPING SECTION

DAMPING SECTION

IDENTIFICATION MARKINGS

STOCK CODE	PART No.	CONDUCTOR ϕ RANGE	MIN. LENGTH	COLOUR
CD0022	SVD-0102	4.42 - 6.34	1175	RED
CD0023	SVD-0103	6.35 - 8.29	1225	BLUE
CD0024	SVD-0104	8.30 - 11.74	1275	BLACK
CD0025	SVD-0105	11.75 - 14.30	1325	YELLOW
CD0038	SVD-0106	14.31 - 19.30	1625	GREEN

NOTES:-

- 1 ALL DIMENSIONS ARE IN MILLIMETRES
- 2 INSTALLED ON ALL BAYS OF 3/2.75 SCAC AND ACSR/AZ CONDUCTORS BOTH SIDES OF A POST INSULATOR.
- 3 FOR BAYS >250M, A SECOND SVD IS REQUIRED AT EITHER END OF THE SPAN
4. SVD'S NOT REQUIRED ON STRAIN SIDE OF SPAN.

				COMPATIBLE UNIT		DISTRIBUTION DESIGN CATALOGUE			
				TITLE		DRAWN JRR DATE 28-03-2014		DRG No	
D 17 12 20 IDENTIFICATION MARKINGS TABLE ADDED				REE	CO	GS	ORIGINATED SCALE NTS		CN74
C 26 05 14 FORMAT CHANGED AND TITLE & NOTE REVISED				JC	REE	GS	CHECKED REE		
B 18 06 13 REDRAWN				JC	REE	GS	APPROVED GRANT STACY		
A 16 06 11 ORIGINAL ISSUE				ORGD	CHKD	APRD	REV D		SHT
REV	DATE	DESCRIPTION	ORGD	CHKD	APRD	GRANT STACY		D	

CU	CU Description
-----------	-----------------------

CN74_3/275		Vibration damper for 3/2.75 (SCAC and SCGZ)			
------------	--	---	--	--	--

ITEM NUMBER	STOCK CODE	DESCRIPTION	QTY RQD	UNIT OF MEASURE	REMARKS
1	CD0022	Vibration damper	1	ea	

CN74_6/1/250		Vibration damper for 6/1/2.50 ACSR/AZ			
--------------	--	---------------------------------------	--	--	--

ITEM NUMBER	STOCK CODE	DESCRIPTION	QTY RQD	UNIT OF MEASURE	REMARKS
1	CD0023	Vibration damper	1	ea	

CN74_6/1/275		Vibration damper for 6/1/2.75 ACSR/AZ			
--------------	--	---------------------------------------	--	--	--

ITEM NUMBER	STOCK CODE	DESCRIPTION	QTY RQD	UNIT OF MEASURE	REMARKS
1	CD0023	Vibration damper	1	ea	

CN74_6/1/300		Vibration damper for 6/1/3.00 ACSR/AZ or AACSR/AC			
--------------	--	---	--	--	--

ITEM NUMBER	STOCK CODE	DESCRIPTION	QTY RQD	UNIT OF MEASURE	REMARKS
1	CD0024	Vibration damper	1	ea	

CN74_6/475		Vibration damper for 6/4.75 -7/1.6 ACSR/AZ			
------------	--	--	--	--	--

ITEM NUMBER	STOCK CODE	DESCRIPTION	QTY RQD	UNIT OF MEASURE	REMARKS
1	CD0025	Vibration damper	1	ea	

CN74_7/250		Vibration damper for 7/250 AAC/AAAC			
------------	--	-------------------------------------	--	--	--

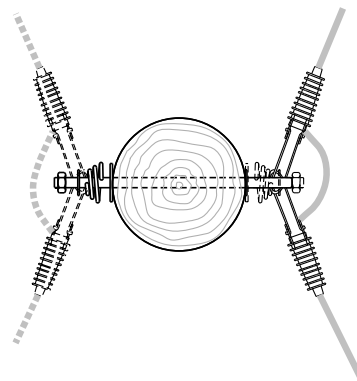
ITEM NUMBER	STOCK CODE	DESCRIPTION	QTY RQD	UNIT OF MEASURE	REMARKS
1	CD0023	Vibration damper	1	ea	

CN74_7/375		Vibration damper for 7/375 AAC/AAAC			
------------	--	-------------------------------------	--	--	--

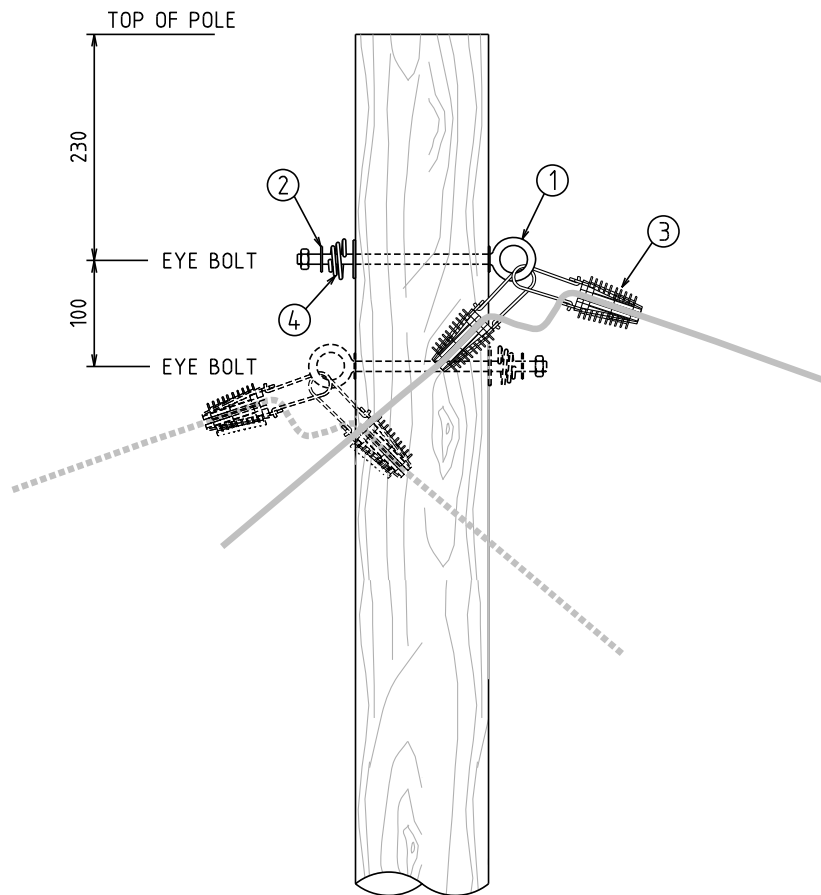
ITEM NUMBER	STOCK CODE	DESCRIPTION	QTY RQD	UNIT OF MEASURE	REMARKS
1	CD0024	Vibration damper	1	ea	

CN74_7/475		Vibration damper for 7/475 AAC/AAAC			
------------	--	-------------------------------------	--	--	--

ITEM NUMBER	STOCK CODE	DESCRIPTION	QTY RQD	UNIT OF MEASURE	REMARKS
1	CD0025	Vibration damper	1	ea	



TOP VIEW



WOOD POLE

NOTES:

1. MAXIMUM SPAN LENGTH OF 30m, GOVERNED BY THE STRENGTH OF THE WEDGE CLAMP.
2. THREE CUSTOMER SERVICE CONNECTIONS ARE ALLOWED PER EYEBOLT WITH THE CONDITION THAT THE CUSTOMER SERVICE WIRE DOES NOT RUB AGAINST THE POLE.

				COMPATIBLE UNIT		DISTRIBUTION DESIGN CATALOGUE			
				TITLE		DRAWN: JRR DATE: 30-09-2014		DRG. No.	
				CUSTOMER SERVICE CARRYOVER CONNECTION		ORIGINATED: JC SCALE: NTS		CN75	
						CHECKED: REE		REV. A	
						APPROVED: GRANT STACY		SHT.	
A	13.10.14	ORIGINAL ISSUE		JC	REE	GS			
R. No.	DATE	DESCRIPTION		ORGD.	CHEC.	APRD.			

CU	CU Description
-----------	-----------------------

CN75		Customer Service Carryover Service			
ITEM NUMBER	STOCK CODE	DESCRIPTION	QTY RQD	UNIT OF MEASURE	REMARKS
1	AB6037	Eyebolt M20 350mm long	1	ea	
2	AW3546	Flat Square Washer 50x50x3	1	ea	
3	CC0111	Strain Wedge Clamp	2	ea	
4	CZ0335	Compression Spring Washer	1	ea	

CN76_AWA		Hendrix Messenger Wire			
ITEM NUMBER	STOCK CODE	DESCRIPTION	QTY RQD	UNIT OF MEASURE	REMARKS
1	EE2556	Hendrix messenger wire	1	m	

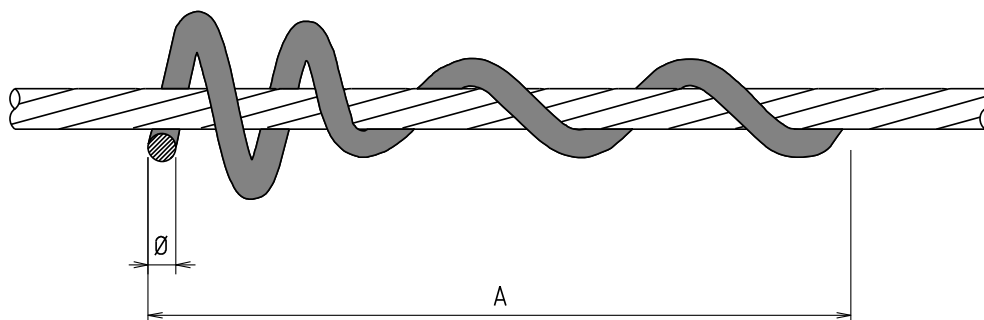
CN76_19/275		Hendrix Messenger Wire			
ITEM NUMBER	STOCK CODE	DESCRIPTION	QTY RQD	UNIT OF MEASURE	REMARKS
1	ES0064	Hendrix messenger wire	1	Drum	250m drum

CN76_19/325		Hendrix Messenger Wire			
ITEM NUMBER	STOCK CODE	DESCRIPTION	QTY RQD	UNIT OF MEASURE	REMARKS
1	ES0050	Hendrix messenger wire	1	Drum	800m drum

CN77_22		Hendrix Covered Conductor			
ITEM NUMBER	STOCK CODE	DESCRIPTION	QTY RQD	UNIT OF MEASURE	REMARKS
1	EE2555	Hendrix covered conductor	1	m	

CN77_33		Hendrix Covered Conductor			
ITEM NUMBER	STOCK CODE	DESCRIPTION	QTY RQD	UNIT OF MEASURE	REMARKS
1	EE1567	Hendrix covered conductor	1	m	

CN78_3P		Hendrix Spacer 3 phase			
ITEM NUMBER	STOCK CODE	DESCRIPTION	QTY RQD	UNIT OF MEASURE	REMARKS
1	IC0091	Hendrix spacer4	1	ea	



STOCK CODE	CONDUCTOR RANGE	"Ø"	"A"	USE FOR CONDUCTOR
CG0010	4.41 - 6.34	12	300	3/2.75
CG0014	14.4 - 19.3	19	480	19/3.25
CG0021	6.35 - 8.87	12	360	7/2.50
CG0022	8.3 - 11.74	12	370	7/3.75
CG0023	11.53 - 15.21	12	410	7/4.75

NOTES:-

1. ALL DIMENSIONS ARE IN MILLIMETRES.
2. MATERIAL: YELLOW UV STABILIZED PVC.
3. SPIRAL IS RIGHT HAND LAY.

				COMPATIBLE UNIT		DISTRIBUTION DESIGN CATALOGUE			
				TITLE		DRAWN: JRR DATE: 20-03-2017		DRG. No.	
				BIRD FLIGHT DIVERTERS		ORIGINATED: REE SCALE: NTS		CN79	
						CHECKED: JC		REV. A	
						APPROVED: GRANT STACY		SHT.	
A	23.03.17	ORIGINAL ISSUE		REE	JC	GS			
REV	DATE	DESCRIPTION		ORGO	CHKD	APRD			

CU	CU Description
-----------	-----------------------

CN79_3/275		Bird Diverter for 3/2.75 (SCAC and SCGZ)			
------------	--	--	--	--	--

ITEM NUMBER	STOCK CODE	DESCRIPTION	QTY RQD	UNIT OF MEASURE	REMARKS
1	CG0010	Bird Diverter	1	ea	

CN79_19/325		Bird Diverter for 19/3.25 (AAC AND AAAC)			
-------------	--	--	--	--	--

ITEM NUMBER	STOCK CODE	DESCRIPTION	QTY RQD	UNIT OF MEASURE	REMARKS
1	CG0014	Bird Diverter	1	ea	

CN79_7/250		Bird Diverter for 7/2.50 (AAC AND AAAC)			
------------	--	---	--	--	--

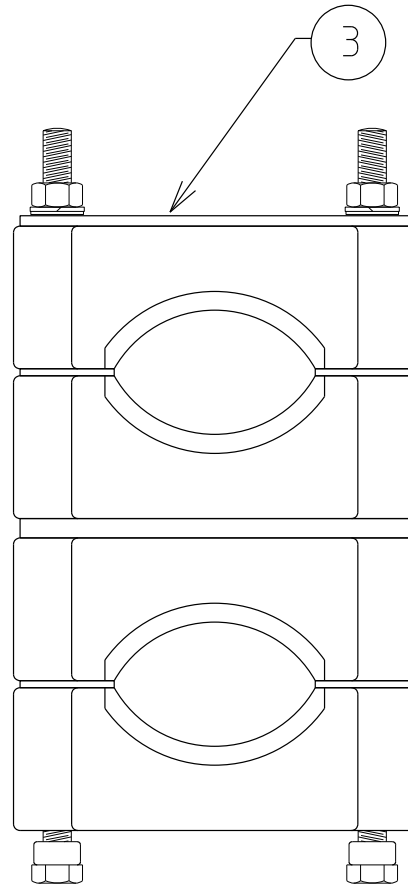
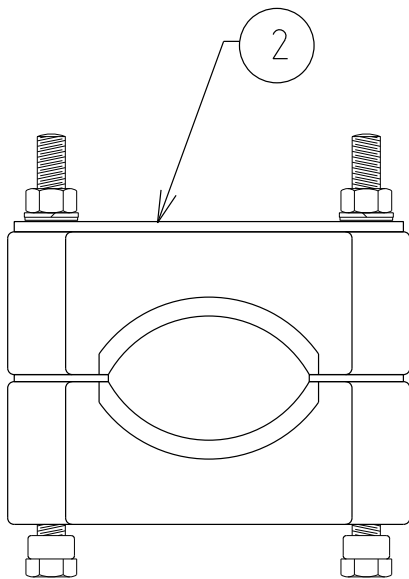
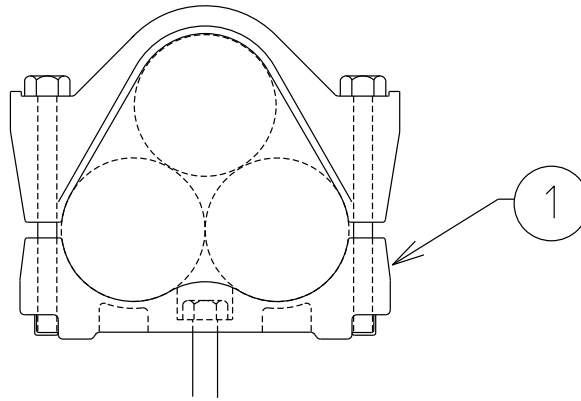
ITEM NUMBER	STOCK CODE	DESCRIPTION	QTY RQD	UNIT OF MEASURE	REMARKS
1	CG0021	Bird Diverter	1	ea	

CN79_7/375		Bird Diverter for 7/3.75 (AAC AND AAAC)			
------------	--	---	--	--	--

ITEM NUMBER	STOCK CODE	DESCRIPTION	QTY RQD	UNIT OF MEASURE	REMARKS
1	CG0022	Bird Diverter	1	ea	

CN79_7/475		Bird Diverter for 7/4.75 (AAC AND AAAC)			
------------	--	---	--	--	--

ITEM NUMBER	STOCK CODE	DESCRIPTION	QTY RQD	UNIT OF MEASURE	REMARKS
1	CG0023	Bird Diverter	1	ea	



				COMPATIBLE UNIT			DISTRIBUTION DESIGN CATALOGUE			
				TITLE			DRAWN: JRR		DATE: 21-11-2019	
				CABLE CLAMP			ORIGINATED: GC		SCALE: NTS	
							CHECKED: NMc		DRG. No. CN80	
							APPROVED: GRANT STACY		REV. B	
REV.	DATE	DESCRIPTION	DRGD.	CHKD.	APPRD.			SHT.		
B	22.08.22	ITEMS FM0204 AND FM0201 ADDED	CO	SH	GS					
A	27.11.19	ORIGINAL ISSUE	CO	GC	GS					

CU	CU Description
----	----------------

CN80_400/22		Cable Clamp for 400mm ² 22kV Cable			
-------------	--	---	--	--	--

ITEM NUMBER	STOCK CODE	DESCRIPTION	QTY RQD	UNIT OF MEASURE	REMARKS
1	FM0213	Cable clamp for 400mm ² 22kV cable	1	ea	

CN80_240/22		Cable Clamp for 240mm ² 22kV Cable			
-------------	--	---	--	--	--

ITEM NUMBER	STOCK CODE	DESCRIPTION	QTY RQD	UNIT OF MEASURE	REMARKS
1	FM0213	Cable clamp for 240mm ² 22kV cable	1	ea	

CN80_185/33		Cable Clamp for 185mm ² 33kV Cable			
-------------	--	---	--	--	--

ITEM NUMBER	STOCK CODE	DESCRIPTION	QTY RQD	UNIT OF MEASURE	REMARKS
1	FM0213	Cable clamp for 185mm ² 33kV cable	1	ea	

CN80_240/33		Cable Clamp for 240mm ² 33kV Cable			
-------------	--	---	--	--	--

ITEM NUMBER	STOCK CODE	DESCRIPTION	QTY RQD	UNIT OF MEASURE	REMARKS
1	FM0213	Cable clamp for 240mm ² 33kV cable	1	ea	

CN80_400/22S		Single cable Clamp for 400mm ² 22kV Cable			
--------------	--	--	--	--	--

ITEM NUMBER	STOCK CODE	DESCRIPTION	QTY RQD	UNIT OF MEASURE	REMARKS
2	FM0204	Cable clamp for 400mm ²	3	ea	

CN80_400/22D		Double cable Clamp for 400mm ² 22kV Cable			
--------------	--	--	--	--	--

ITEM NUMBER	STOCK CODE	DESCRIPTION	QTY RQD	UNIT OF MEASURE	REMARKS
3	FM0201	Cable clamp for 400mm ²	3	ea	

CN80_240/22S		Single cable Clamp for 240mm ² 22kV Cable			
--------------	--	--	--	--	--

ITEM NUMBER	STOCK CODE	DESCRIPTION	QTY RQD	UNIT OF MEASURE	REMARKS
2	FM0204	Cable clamp for 240mm ²	3	ea	

CN80_240/22D		Double cable Clamp for 240mm ² 22kV Cable			
--------------	--	--	--	--	--

ITEM NUMBER	STOCK CODE	DESCRIPTION	QTY RQD	UNIT OF MEASURE	REMARKS
3	FM0201	Cable clamp for 240mm ²	3	ea	

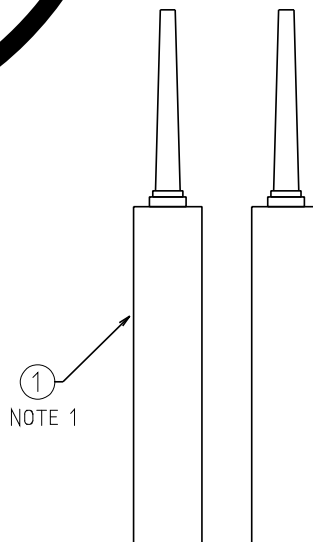
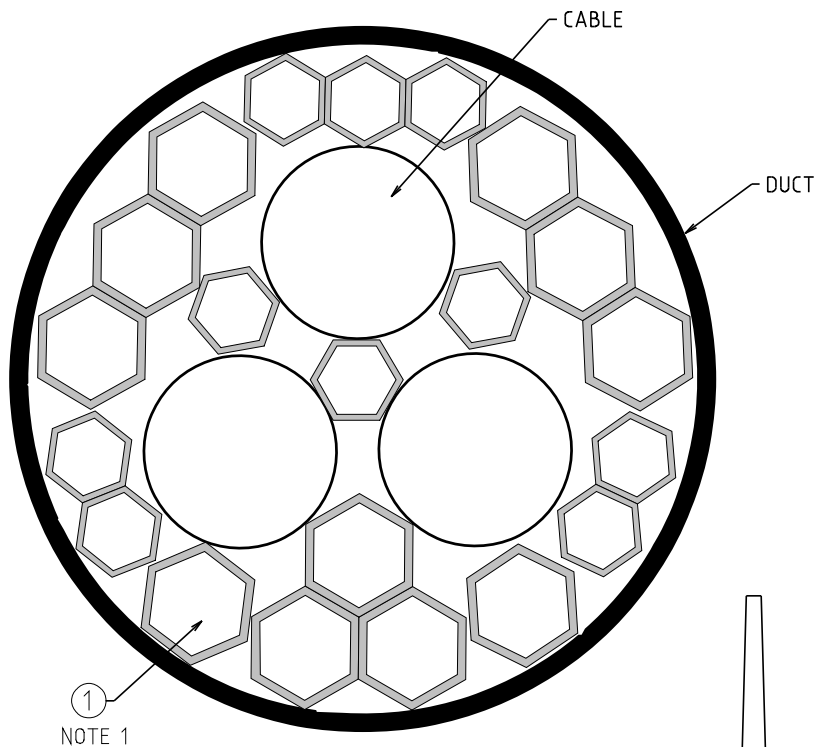
CU	CU Description
-----------	-----------------------

CN80_185/22S Single cable Clamp for 185mm ² 33kV Cable					
ITEM NUMBER	STOCK CODE	DESCRIPTION	QTY RQD	UNIT OF MEASURE	REMARKS
2	FM0204	Cable clamp for 185mm ²	3	ea	

CN80_185/22D Double cable Clamp for 185mm ² 33kV Cable					
ITEM NUMBER	STOCK CODE	DESCRIPTION	QTY RQD	UNIT OF MEASURE	REMARKS
3	FM0201	Cable clamp for 185mm ²	3	ea	

CN80_240/33S Single cable Clamp for 240mm ² 33kV Cable					
ITEM NUMBER	STOCK CODE	DESCRIPTION	QTY RQD	UNIT OF MEASURE	REMARKS
2	FM0204	Cable clamp for 240mm ²	3	ea	

CN80_240/33D Double cable Clamp for 240mm ² 33kV Cable					
ITEM NUMBER	STOCK CODE	DESCRIPTION	QTY RQD	UNIT OF MEASURE	REMARKS
3	FM0201	Cable clamp for 240mm ²	3	ea	



NOTES:-
1. FILLERS AND SEALANT.

				COMPATIBLE UNIT			DISTRIBUTION DESIGN CATALOGUE		westernpower	
				TITLE			DRAWN: JRR		DATE: 19-06-2020	
				CABLE DUCT SEALING			ORIGINATED: CO		SCALE: NTS	
							CHECKED: NN		APPROVED: GRANT STACY	
							REV. A		SHT. CN81	
A	22.06.20	ORIGINAL ISSUE		CO	NN	GS				
REV	DATE	DESCRIPTION		ORGO.	CHKD.	APRD.				

CU	CU Description
-----------	-----------------------

CN81		Conduit Sealing up to 160mm			
ITEM NUMBER	STOCK CODE	DESCRIPTION	QTY RQD	UNIT OF MEASURE	REMARKS
1	FM0215	Conduit sealing kit	1	ea	