



Distribution Design Catalogue

Streetlights

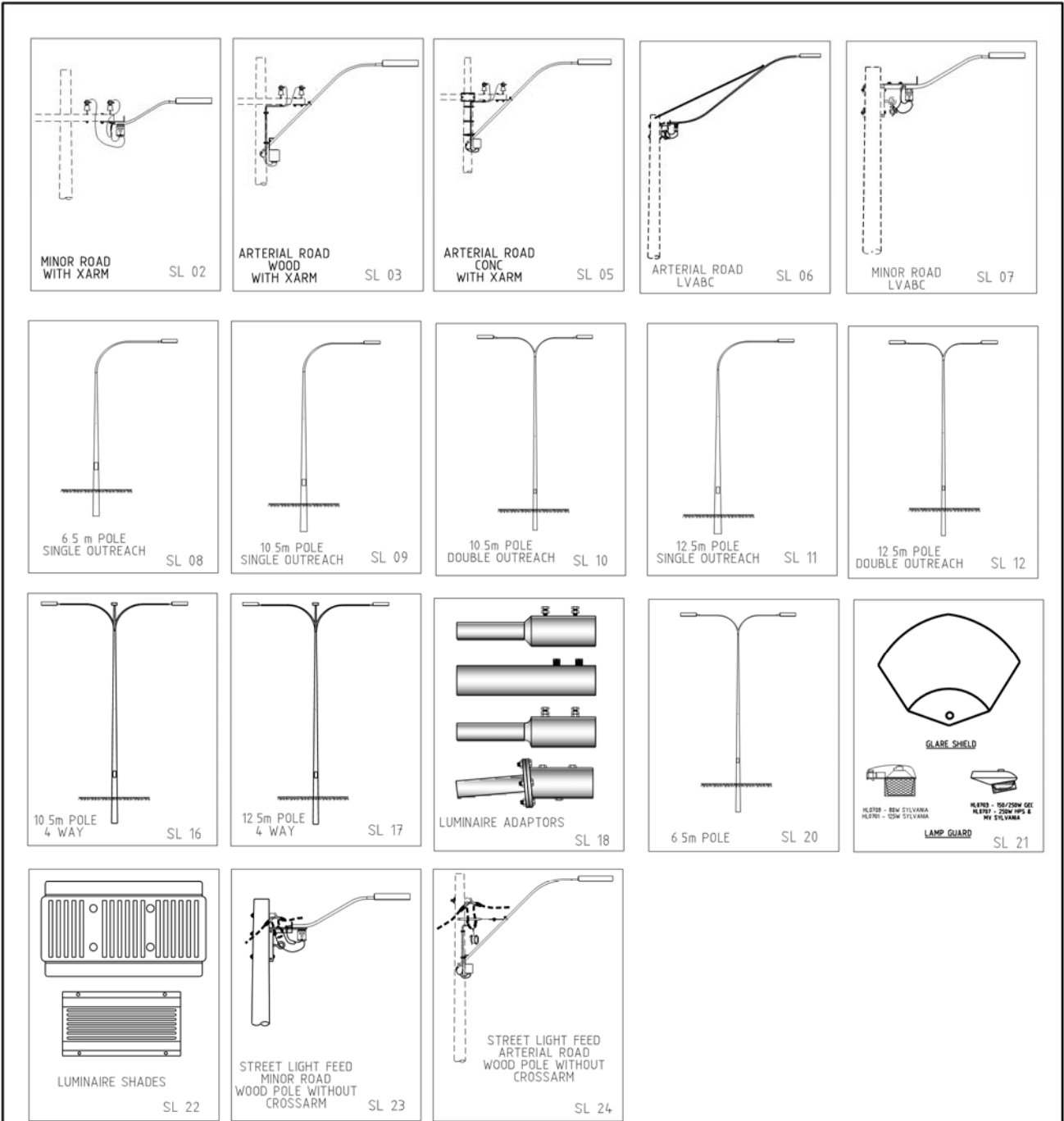
Section 12

Colour Temperature 4000

Colour Temperature 3000

SL Drawings Revision List

CU	DATE	REVISION	DESCRIPTION OF REVISION
	Sept 2002		Original Issue
	May 2004		Major Update see Amendment List
	Dec 2004		Minor Update see Amendment List
	Oct 2005		Minor Corrections see Amendment List
	Feb 2006		Refer to Amendment List
	April 2006		Refer to Amendment List
	Sept 2007		Refer to Amendment List
	Mar 2008		Refer to Amendment List
	May 2009		Refer to Amendment List
	Dec 2009		Revised Format
	Oct 2010		Refer to Amendment List
	Apr 2012		Refer to Amendment List
	May 2013		Refer to Amendment List
	Jul 2013		Refer to Amendment List
	Jul 2014		Minor corrections in CU titles to match with ELLIPSE
	Oct 2014		Refer to Amendment List
	July 2015		Refer to Amendment List
	Dec 2015		Refer to Amendment List
	Aug 2016		Refer to Amendment List
	May 2017		Refer to Amendment List
	July 2017		Refer to Amendment List
	Jun 2018		Refer to Amendment List
	Aug 2018		LED Luminaire Section (Part 2) added
	Oct 2018		Refer to Amendment List
	Dec 2018		Refer to Amendment List
	Feb 2019		Refer to Amendment List
	Jun 2019		Refer to Amendment List
	Jul 2019		Refer to Amendment List
	Sep 2019		Refer to Amendment List
	Dec 2019		Refer to Amendment List
	Jun 2020		Refer to Amendment List
	Nov 2020		Refer to Amendment List
	Jan 2021		Refer to Amendment List
	May 2021		Refer to Amendment List
	Aug 2021		Refer to Amendment List



				COMPATIBLE UNIT				DISTRIBUTION DESIGN CATALOGUE			
				TITLE				DRAWN JRR DATE 17-04-2014 DRG No		SL INDEX-1	
				SL LED COMPATIBLE UNITS				ORIGINATED SCALE NTS		REV K	
								CHECKED REE		SHT	
								APPROVED GRANT STACY			
REV	DATE	DESCRIPTION	DRGD	CHKD	APRD						
K	22 06 20	REVISED TO SUIT		CO	REE	GS					
J	17 08 18	REVISED TO SUIT LED LUMINAIRE		REE	CO	GS					
H	13 06 13	ORIGINAL ISSUE									

Streetlights CU List for Colour Temperature 4000

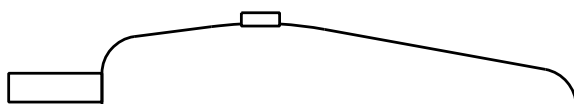
CU	CU DESCRIPTION
SL2_1L	Minor road Wood/conc. Pole with xarm _20W LED (equiv 42W CFL, 18W LED)
SL2_1L_MP	Minor road Wood/conc. Pole with xarm _20W LED menu price (equiv 42W CFL, 18W LED)
SL2_2L	Minor road Wood/conc. Pole with xarm _53W LED (equiv 125W MV)
SL2_2L_MP	Minor road Wood/conc. Pole with xarm _53W LED menu price (equiv 125W MV)
SL2_3L	Minor road Wood/conc. Pole with xarm _36W LED (equiv 70W MH & HPS)
SL2_3L_MP	Minor road Wood/conc. Pole with xarm _36W LED menu price (equiv 70W MH & HPS)
SL3_4L	Arterial road Wood pole with xarm_80W LED (equiv 150W HPS & MH)
SL3_4L_MP	Arterial road Wood pole with xarm_80W LED menu price (equiv 150W HPS & MH)
SL3_5L	Arterial road Wood pole with xarm_160W LED (equiv 250W MH)
SL3_5L_MP	Arterial road Wood pole with xarm_160W LED menu price (equiv 250W MH)
SL3_6L	Arterial road Wood pole with xarm_170W LED (equiv 250W HPS)
SL3_6L_MP	Arterial road Wood pole with xarm_170W LED menu price (equiv 250W HPS)
SL5_4L	Arterial road concrete poles with xarm_80W LED (equiv 150W HPS & MH)
SL5_4L_MP	Arterial road concrete pole with xarm_80W LED) menu price (equiv 150W HPS & MH)
SL5_5L	Arterial road concrete pole with xarm_160W LED (equiv 250W MH)
SL5_5L_MP	Arterial road concrete pole with xarm_160W LED menu price (equiv 250W MH)
SL5_6L	Arterial road concrete pole with xarm_170W LED (equiv 250W HPS)
SL5_5L_MP	Arterial road concrete pole with xarm_170W LED menu price (equiv 250W HPS)
SL6_4L	Arterial road LVABC_80W LED (equiv 150W HPS & MH)
SL6_4L_MP	Arterial road LVABC_80W LED menu price (equiv 150W HPS & MH)
SL6_5L	Arterial road LVABC_160W LED (equiv 250W MH)
SL6_5L_MP	Arterial road LVABC_160W LED menu price (equiv 250W MH)
SL6_6L	Arterial road LVABC_170W LED (equiv 250W HPS)
SL6_6L_MP	Arterial road LVABC_170W LED menu price (equiv 250W HPS)
SL7_1L	Minor Road LVABC_20W LED (equiv 42W CFL)
SL7_1L_MP	Minor Road LVABC_20W LED menu price (equiv 42W CFL)
SL7_2L	Minor Road LVABC_53W LED (equiv 125W MV)
SL7_2L_MP	Minor Road LVABC_53W LED menu price (equiv 125W MV)
SL7_3L	Minor Road LVABC_36W LED (equiv 70W MH & HPS)
SL7_3L_MP	Minor Road LVABC_36W LED menu price (equiv 70W MH & HPS)
SL8_1L	Single outreach steel standard 6.5m_20W LED (equiv 42W CFL)
SL8_2L	Single outreach steel standard 6.5m_53W LED (equiv 125W MV)
SL9_4L	Single outreach steel standard 10.5m_80W LED (equiv 150W HPS & MH)
SL9_5L	Single outreach steel standard 10.5m_160W LED (equiv 250W MH)
SL9_6L	Single outreach steel standard 10.5m_170W LED (equiv 250W Hps)
SL10_4L	Double outreach steel standard 10.5m 80W LED (equiv 150W HPS & MH)
SL10_5L	Double outreach steel standard 10.5m 160W LED (equiv 250W MH)
SL10_6L	Double outreach steel standard 10.5m 170W LED (equiv 250W HPS)
SL11_4L	Single Outreach steel standard 12.5m 80W LED (equiv 150W HPS & MH)
SL11_5L	Single outreach steel standard 12.5m 160W LED (equiv 250W MH)
SL11_6L	Single outreach steel standard 12.5m 170W LED (equiv 250W HPS)
SL12_4L	Double outreach steel standard 12.5m 80W LED (equiv 150W HPS & MH)

CU	CU DESCRIPTION
SL12_5L	Double outreach steel standard 12.5m 160W LED (equiv 250W MH)
SL12_6L	Double outreach steel standard 12.5m 170W LED (equiv 250W HPS)
SL16_4L	4 Way outreach steel standard 10.5m_80W LED (equiv 150W HPS & MH)
SL16_5L	4 Way outreach steel standard 10.5m_160W LED (equiv 250W MH)
SL16_6L	4 Way outreach steel standard 10.5m_170W LED (equiv 250W HPS)
SL17_4L	4 Way outreach steel standard 12.5m_80W LED (equiv 150W HPS & MH)
SL17_5L	4 Way outreach steel standard 12.5m_160W LED (equiv 250W MH)
SL17_6L	4 Way outreach steel standard 12.5m_170W LED (equiv 250W HPS)
SL18_GRACE	Luminaire adaptor for RoadGrace LED (equiv 42W CFL, 125W MH & HPS)
SL18_FLAIR	Luminaire adaptor for RoadFlair LED (equiv 150/250 MH & HPS)
SL18_BOURKE	Luminaire adaptor to fit - Bourke Hill Luminaire
SL20_1L	Double outreach steel standard 6.5m 20W LED (equiv 42W CFL)
SL20_2L	Double outreach steel standard 6.5m 53W LED (equiv 125W MV)
SL20_3L	Double outreach steel standard 6.5m 36W LED (equiv 70W MH & HPS)
SL21_SHADEMP	Light shade installation menu price
SL21_42	Glare shield for 42W CFL SL
SL21_70B	Glare shield (Back) for 70W & 125W SL
SL21_70FB	Glare shield (Front & Back) for 70W & 125W SL
SL21_80	Glare shield for 50W & 80W MV SL
SL21_150	Glare shield for 150W & 250W SL
SL21_GRACE	Glare shield for Road Grace LED
SL21_FLR_4L	Glare shield for Flair 80W LED
SL21_FLR_5L	Glare shield for Flair 160W LED
SL21_FLR_6L	Glare shield for Flair 170W LED
SL23_1L	Streetlight Feed - Minor road Wood pole without xarm_20W LED (equiv 42W CFL)
SL23_2L	Streetlight Feed - Minor road Wood pole without xarm_53W LED (equiv 125W MV)
SL23_3L	Streetlight Feed - Minor road Wood pole without xarm_36W LED (equiv 70W MH & HPS)
SL24_4L	Streetlight Feed - Arterial road Wood pole without xarm_80W LED (equiv 150W HPS & MH)
SL24_5L	Streetlight Feed - Arterial road Wood pole without xarm_160W LED (equiv 250W MH)
SL24_6L	Streetlight Feed - Arterial road Wood pole without xarm_150W LED (equiv 250W HPS)

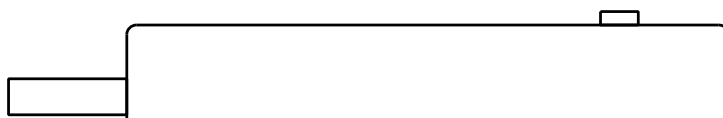
Streetlights LED CU List for Colour Temperature 3000

CU	CU DESCRIPTION
SL2_1E	Minor road Wood/conc. Pole with xarm _20W LED (equiv 42W CFL, 18W LED)
SL2_1E_MP	Minor road Wood/conc. Pole with xarm _20W LED menu price (equiv 42W CFL, 18W LED)
SL2_2E	Minor road Wood/conc. Pole with xarm _53W LED (equiv 125W MV)
SL2_2E_MP	Minor road Wood/conc. Pole with xarm _53W LED menu price (equiv 125W MV)
SL2_3E	Minor road Wood/conc. Pole with xarm _36W LED (equiv 70W MH & HPS)
SL2_3E_MP	Minor road Wood/conc. Pole with xarm _36W LED menu price (equiv 70W MH & HPS)
SL3_4E	Arterial road Wood pole with xarm_80W LED (equiv 150W HPS & MH)
SL3_4E_MP	Arterial road Wood pole with xarm_80W LED menu price (equiv 150W HPS & MH)
SL3_5E	Arterial road Wood pole with xarm_160W LED (equiv 250W MH)
SL3_5E_MP	Arterial road Wood pole with xarm_160W LED menu price (equiv 250W MH)
SL3_6E	Arterial road Wood pole with xarm_170W LED (equiv 250W HPS)
SL3_6E_MP	Arterial road Wood pole with xarm_170W LED menu price (equiv 250W HPS)
SL5_4E	Arterial road concrete poles with xarm_80W LED (equiv 150W HPS & MH)
SL5_4E_MP	Arterial road concrete pole with xarm_80W LED) menu price (equiv 150W HPS & MH)
SL5_5E	Arterial road concrete pole with xarm_160W LED (equiv 250W MH)
SL5_5E_MP	Arterial road concrete pole with xarm_160W LED menu price (equiv 250W MH)
SL5_6E	Arterial road concrete pole with xarm_170W LED (equiv 250W HPS)
SL5_5E_MP	Arterial road concrete pole with xarm_170W LED menu price (equiv 250W HPS)
SL6_4E	Arterial road LVABC_80W LED (equiv 150W HPS & MH)
SL6_4E_MP	Arterial road LVABC_80W LED menu price (equiv 150W HPS & MH)
SL6_5E	Arterial road LVABC_160W LED (equiv 250W MH)
SL6_5E_MP	Arterial road LVABC_160W LED menu price (equiv 250W MH)
SL6_6E	Arterial road LVABC_170W LED (equiv 250W HPS)
SL6_6E_MP	Arterial road LVABC_170W LED menu price (equiv 250W HPS)
SL7_1E	Minor Road LVABC_20W LED (equiv 42W CFL)
SL7_1E_MP	Minor Road LVABC_20W LED menu price (equiv 42W CFL)
SL7_2E	Minor Road LVABC_53W LED (equiv 125W MV)
SL7_2E_MP	Minor Road LVABC_53W LED menu price (equiv 125W MV)
SL7_3E	Minor Road LVABC_36W LED (equiv 70W MH & HPS)
SL7_3E_MP	Minor Road LVABC_36W LED menu price (equiv 70W MH & HPS)
SL8_1E	Single outreach steel standard 6.5m_20W LED (equiv 42W CFL)
SL8__2E	Single outreach steel standard 6.5m_53W LED (equiv 125W MV)
SL9__2E	Single outreach steel standard 10.5m_53W LED (equiv 125W MV)
SL9_4E	Single outreach steel standard 10.5m_80W LED (equiv 150W HPS & MH)
SL9_5E	Single outreach steel standard 10.5m_160W LED (equiv 250W MH)
SL9_6E	Single outreach steel standard 10.5m_170W LED (equiv 250W Hps)
SL10_2E	Double outreach steel standard 10.5m_53W LED (equiv 125W MV)
SL10_4E	Double outreach steel standard 10.5m 80W LED (equiv 150W HPS & MH)
SL10_5E	Double outreach steel standard 10.5m 160W LED (equiv 250W MH)
SL10_6E	Double outreach steel standard 10.5m 170W LED (equiv 250W HPS)
SL11_2E	Single outreach steel standard 12.5m_53W LED (equiv 125W MV)
SL11_4E	Single Outreach steel standard 12.5m 80W LED (equiv 150W HPS & MH)

CU	CU DESCRIPTION
SL11_5E	Single outreach steel standard 12.5m 160W LED (equiv 250W MH)
SL11_6E	Single outreach steel standard 12.5m 170W LED (equiv 250W HPS)
SL12_2E	Double outreach steel standard 12.5m_53W LED (equiv 125W MV)
SL12_4E	Double outreach steel standard 12.5m 80W LED (equiv 150W HPS & MH)
SL12_5E	Double outreach steel standard 12.5m 160W LED (equiv 250W MH)
SL12_6E	Double outreach steel standard 12.5m 170W LED (equiv 250W HPS)
SL16_2E	4 Way outreach steel standard 10.5m_53W LED (equiv 125W MV)
SL16_4E	4 Way outreach steel standard 10.5m_80W LED (equiv 150W HPS & MH)
SL16_5E	4 Way outreach steel standard 10.5m_160W LED (equiv 250W MH)
SL16_6E	4 Way outreach steel standard 10.5m_170W LED (equiv 250W HPS)
SL17_2E	4 Way outreach steel standard 12.5m_53W LED (equiv 125W MV)
SL17_4E	4 Way outreach steel standard 12.5m_80W LED (equiv 150W HPS & MH)
SL17_5E	4 Way outreach steel standard 12.5m_160W LED (equiv 250W MH)
SL17_6E	4 Way outreach steel standard 12.5m_170W LED (equiv 250W HPS)
SL18_GRACE	Luminaire adaptor for RoadGrace LED (equiv 42W CFL, 125W MH & HPS)
SL18_FLAIR	Luminaire adaptor for RoadFlair LED (equiv 150/250 MH & HPS)
SL18_BOURKE	Luminaire adaptor to fit - Bourke Hill Luminaire
SL18_REDUCE	Luminaire adaptor RoadFlair to non-standard Columns
SL20_1E	Double outreach steel standard 6.5m 20W LED (equiv 42W CFL)
SL20_2E	Double outreach steel standard 6.5m 53W LED (equiv 125W MV)
SL20_3E	Double outreach steel standard 6.5m 36W LED (equiv 70W MH & HPS)
SL21_SHADEMP	Light shade installation menu price
SL21_42	Glare shield for 42W CFL SL
SL21_70B	Glare shield (Back) for 70W & 125W SL
SL21_70FB	Glare shield (Front & Back) for 70W & 125W SL
SL21_80	Glare shield for 50W & 80W MV SL
SL21_150	Glare shield for 150W & 250W SL
SL21_GRACE	Glare shield for Road Grace LED
SL21_FLR_4E	Glare shield for Flair 80W LED
SL21_FLR_5E	Glare shield for Flair 160W LED
SL21_FLR_6E	Glare shield for Flair 170W LED
SL23_1E	Streetlight Feed - Minor road Wood pole without xarm_20W LED (equiv 42W CFL)
SL23_2E	Streetlight Feed - Minor road Wood pole without xarm_53W LED (equiv 125W MV)
SL23_3E	Streetlight Feed - Minor road Wood pole without xarm_36W LED (equiv 70W MH & HPS)
SL24_4E	Streetlight Feed - Arterial road Wood pole without xarm_80W LED (equiv 150W HPS & MH)
SL24_5E	Streetlight Feed - Arterial road Wood pole without xarm_160W LED (equiv 250W MH)
SL24_6E	Streetlight Feed - Arterial road Wood pole without xarm_150W LED (equiv 250W HPS)



ROAD GRACE



ROAD FLAIR

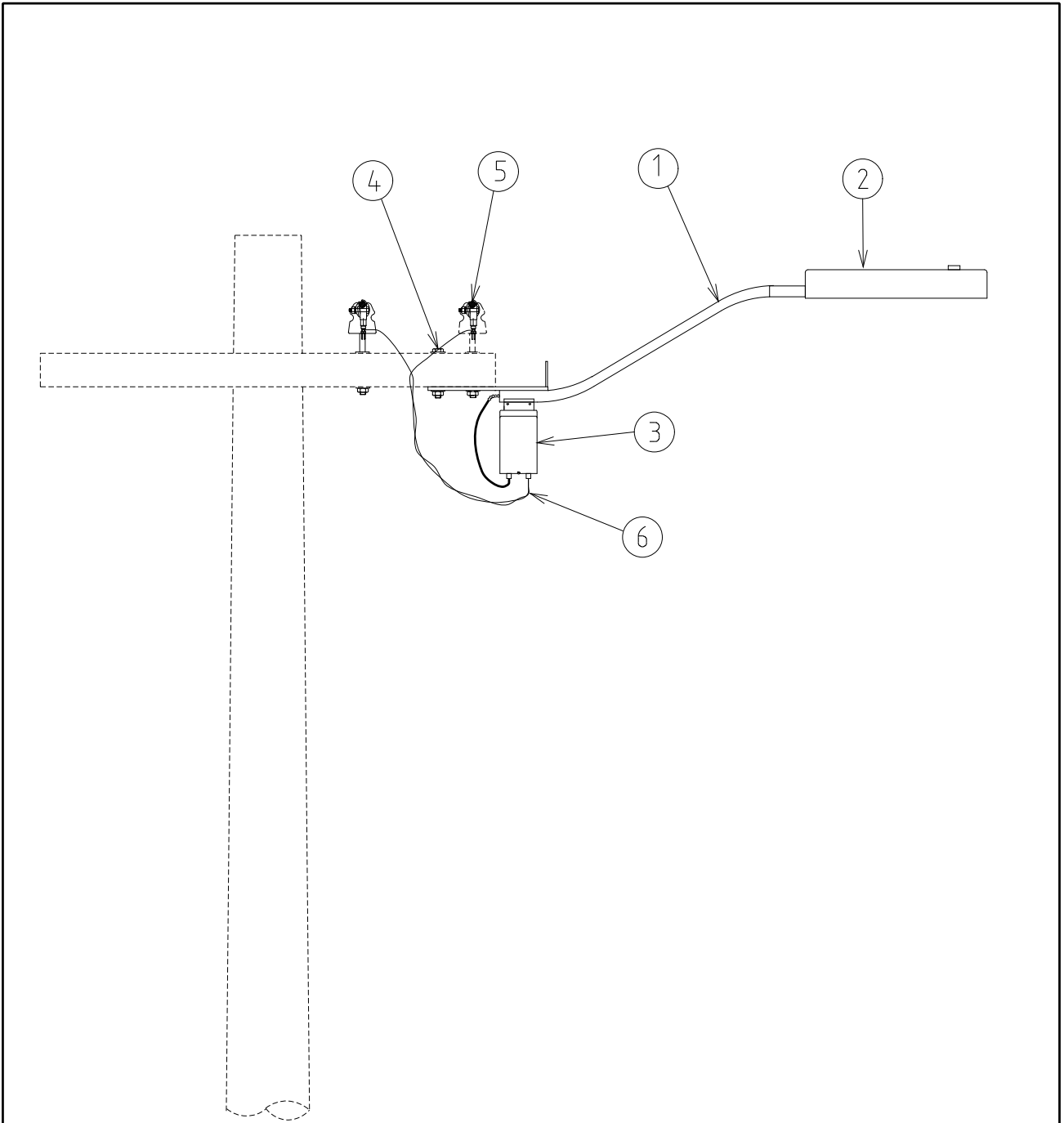
EXISTING STOCK CODE	TRADITIONAL DESCRIPTION	CU LISTING CLASSIFICATION	LED STOCK CODE	LED DESCRIPTION CLASS II	CU LISTING CLASSIFICATION (4000)	CU LISTING CLASSIFICATION (3000)
HL6232	18W LED (DI ONLY)	_18	HL6300	20W WITH 8m CABLE	_1L	
			HL6301	20W WITH 8m CABLE		_1E
HL6231	42W CFL	_42	HL6300	20W WITH 8m CABLE	_1L	
			HL6301	20W WITH 8m CABLE		_1E
HL3340	50W MV	_50	HL6300	20W WITH 8m CABLE	_1L	
			HL6601	16W WITH 8m CABLE		_1E
HL3341	80W MV	_80	HL6300	20W WITH 8m CABLE	_1L	
			HL6301	20W WITH 8m CABLE		_1E
HL6140	125W MV	_125	HL6303	53W WITH 8m CABLE	_2L	
			HL6604	43W WITH 8m CABLE		_2E
			HL6305	53W WITH 15m CABLE		_2E
HL6143	70W HPS	_70	HL6306	36W WITH 8m CABLE	_3L	
			HL6607	20W WITH 8m CABLE		_3E
HL6147	70W MH	_70	HL6306	36W WITH 8m CABLE	_3L	
			HL6307	36W WITH 8m CABLE		_3E
HL6145	150W HPS	_150 & _150W	HL6309	80W WITH 15m CABLE	_4L	
			HL6310	80W WITH 15m CABLE		_4E
HL6148	150W MH	_150 MH	HL6309	80W WITH 15m CABLE	_4L	
			HL6310	80W WITH 15m CABLE		_4E
HL6149	250W MH	_250 MH	HL6612	135W WITH 15m CABLE	_5L	
			HL6313	160W WITH 15m CABLE		_5E
HL6146	250W HPS	_250 W	HL6315	170W WITH 15m CABLE	_6L	
			HL6316	170W WITH 15m CABLE		_6E

NOTE:--

- SEE SL18 RANGE FOR SUITABLE ADAPTER BRACKET COMBINATIONS.

				COMPATIBLE UNIT				DISTRIBUTION DESIGN CATALOGUE			
H	21.07.21	STOCK CODE HL3340, HL6140, HL6143 & HL6049 UPDATED	REE	CO	GS	TITLE		DRAWN: JRR	DATE: 29-05-2018	DRG. No.	
G	02.12.20	STOCK CODE HL6140 ROW UPDATED	REE	CO	GS	STANDARD LUMINAIRE - LED		ORIGINATED: REE	SCALE: NTS	SL-STD	
F	18.09.19	18W LED DESCRIPTION UPDATED	REE	CO	FK			CHECKED: JC			
E	04.09.19	TRADITIONAL DESCRIPTION UPDATED	REE	CO	GS			APPROVED: GRANT STACY			
D	27.08.19	CU LISTING CLASSIFICATION REVISED	REE	NN	GS						
REV	DATE	DESCRIPTION	ORGD	CHKD	APRD					REV. H	SHT.





NOTES:-

1. IF ARTERIAL LIGHTING IS TO BE FITTED TO MINOR ROAD LAYOUT REFER TO SL18 FOR BRACKETS.
2. REMOVE MINOR ROAD LUMINAIRE AND REPLACE WITH ARTERIAL ROAD LUMINAIRE REQUIREMENT.

				COMPATIBLE UNIT			DISTRIBUTION DESIGN CATALOGUE			
				TITLE			DRAWN: JRR		DATE: 17-04-2014	
				MINOR ROAD WOOD OR CONCRETE POLE WITH CROSSARM			ORIGINATED:		SCALE: NTS	
							CHECKED: REE		DRG. No. SL02	
							APPROVED:		REV. H	
							GRANT STACY		SHT.	
REV	DATE	DESCRIPTION	DRG	CHKD	APRO					
H	21.07.21	LED LUMINAIRE MODIFIED	REE	CO	GS					
G	17.08.18	LED LUMINAIRE ADDED	REE	JC	FK					
F	04.04.12	ORIGINAL ISSUE								



CU	CU Description
----	----------------

Colour Temperature 4000

SL2_1L Minor road Wood/conc. Pole with xarm _20W LED (equiv 42W CFL, 18W LED)					
ITEM NUMBER	STOCK CODE	DESCRIPTION	QTY REQD	UNIT OF MEASURE	REMARKS
1	CB0424	bracket	1		
2	HL6300	Luminaire with 8m cable	1		
2	HL5557	PE Cell	1		
3	GF1804	Fuse holder with no fuse	1		
3	GF0925	10amp fuse	1		
4	AB4567	12 dia bolt 150 long with nut	1		
5	FC0110	clamp alum. 16mm	2		_FC016* if copper main
6	EE1120	6mm copper xlpe	2	metre	

SL2_1L_MP Minor road Wood/conc. Pole with xarm _20W LED_menu price (equiv 42W CFL, 18W LED)					
ITEM NUMBER	STOCK CODE	DESCRIPTION	QTY REQD	UNIT OF MEASURE	REMARKS
1	CB0424	bracket	1		
2	HL6300	Luminaire with 8m cable	1		
2	HL5557	PE Cell	1		
3	GF1804	Fuse holder with no fuse	1		
3	GF0925	10amp fuse	1		
4	AB4567	12 dia bolt 150 long with nut	1		
5	FC0110	clamp alum. 16mm	2		_FC016* if copper main
6	EE1120	6mm copper xlpe	2	metre	

SL2_2L Minor road Wood/conc. Pole with xarm _53W LED (equiv 125W MV)					
ITEM NUMBER	STOCK CODE	DESCRIPTION	QTY REQD	UNIT OF MEASURE	REMARKS
1	CB0424	bracket	1		
2	HL6303	LED Luminaire with 8m cable	1		
2	HL5557	PE Cell	1		
3	GF1804	Fuse holder with no fuse	1		
3	GF0925	10amp fuse	1		
4	AB4567	12 dia bolt 150 long with nut	1		
5	FC0110	clamp alum. 16mm	2		_FC016* if copper main
6	EE1120	6mm copper xlpe	2	metre	

CU	CU Description
----	----------------

SL2_2L_MP Minor road Wood/conc. Pole with xarm _53W LED (equiv 125W MV) MENU PRICE					
ITEM NUMBER	STOCK CODE	DESCRIPTION	QTY REQD	UNIT OF MEASURE	REMARKS
1	CB0424	bracket	1		
2	HL6303	LED Luminaire with 8m cable	1		
2	HL5557	NEMA base PE Cell	1		
3	GF1804	Fuse holder with no fuse	1		
3	GF0925	10amp fuse	1		
4	AB4567	12 dia bolt 150 long with nut	1		
5	FC0110	clamp alum. 16mm	2		_FC016* if copper main
6	EE1120	6mm copper xlpe	2	metre	

SL2_3L Minor road Wood/conc. Pole with xarm _36W LED (equiv 70W MH & HPS)					
ITEM NUMBER	STOCK CODE	DESCRIPTION	QTY REQD	UNIT OF MEASURE	REMARKS
1	CB0424	bracket	1		
2	HL6306	Luminaire with 8m cable	1		
2	HL5557	PE Cell	1		
3	GF1804	Fuse holder with no fuse	1		
3	GF0925	10amp fuse	1		
4	AB4567	12 dia bolt 150 long with nut	1		
5	FC0110	clamp alum. 16mm	2		_FC016* if copper main
6	EE1120	6mm copper xlpe	2	metre	

SL2_3L_MP Minor road Wood/conc. Pole with xarm _36W LED_menu_price (equiv 70W MH & HPS)					
ITEM NUMBER	STOCK CODE	DESCRIPTION	QTY REQD	UNIT OF MEASURE	REMARKS
1	CB0424	bracket	1		
2	HL6306	LED Luminaire with 8m cable	1		
2	HL5557	NEMA base PE Cell	1		
3	GF1804	Fuse holder with no fuse	1		
3	GF0925	10amp fuse	1		
4	AB4567	12 dia bolt 150 long with nut	1		
5	FC0110	clamp alum. 16mm	2		_FC016* if copper main
6	EE1120	6mm copper xlpe	2	metre	

CU	CU Description
----	----------------

Colour Temperature 3000

SL2_1E Minor road Wood/conc. Pole with xarm _16W LED (equiv 42W CFL, 18W LED)					
ITEM NUMBER	STOCK CODE	DESCRIPTION	QTY REQD	UNIT OF MEASURE	REMARKS
1	CB0424	bracket	1		
2	HL6601	Luminaire with 8m cable	1		
2	HL5557	PE Cell	1		
3	GF1804	Fuse holder with no fuse	1		
3	GF0925	10amp fuse	1		
4	AB4567	12 dia bolt 150 long with nut	1		
5	FC0110	clamp alum. 16mm	2		_FC016* if copper main
6	EE1120	6mm copper xlpe	2	metre	

SL2_1E_MP Minor road Wood/conc. Pole with xarm _16W LED_menu price (equiv 42W CFL, 18W LED)					
ITEM NUMBER	STOCK CODE	DESCRIPTION	QTY REQD	UNIT OF MEASURE	REMARKS
1	CB0424	bracket	1		
2	HL6601	Luminaire with 8m cable	1		
2	HL5557	PE Cell	1		
3	GF1804	Fuse holder with no fuse	1		
3	GF0925	10amp fuse	1		
4	AB4567	12 dia bolt 150 long with nut	1		
5	FC0110	clamp alum. 16mm	2		_FC016* if copper main
6	EE1120	6mm copper xlpe	2	metre	

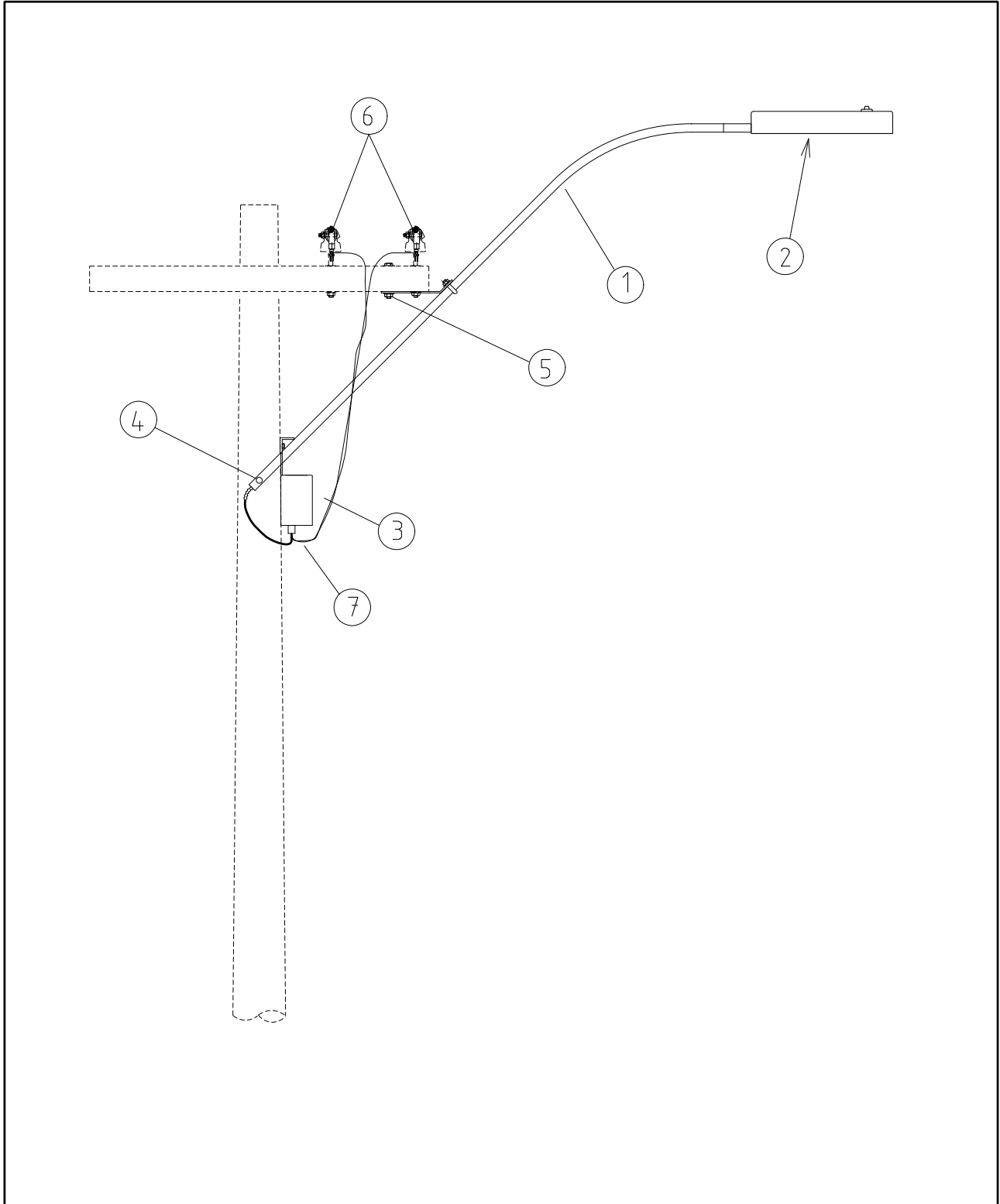
SL2_2E Minor road Wood/conc. Pole with xarm _43W LED (equiv 125W MV)					
ITEM NUMBER	STOCK CODE	DESCRIPTION	QTY REQD	UNIT OF MEASURE	REMARKS
1	CB0424	bracket	1		
2	HL6604	Luminaire with 8m cable	1		
2	HL5557	PE Cell	1		
3	GF1804	Fuse holder with no fuse	1		
3	GF0925	10amp fuse	1		
4	AB4567	12 dia bolt 150 long with nut	1		
5	FC0110	clamp alum. 16mm	2		_FC016* if copper main
6	EE1120	6mm copper xlpe	2	metre	

CU	CU Description
----	----------------

SL2_2E_MP Minor road Wood/conc. Pole with xarm _43W LED (equiv 125W MV) MENU PRICE					
ITEM NUMBER	STOCK CODE	DESCRIPTION	QTY REQD	UNIT OF MEASURE	REMARKS
1	CB0424	bracket	1		
2	HL6604	LED Luminaire with 8m cable	1		
2	HL5557	NEMA base PE Cell	1		
3	GF1804	Fuse holder with no fuse	1		
3	GF0925	10amp fuse	1		
4	AB4567	12 dia bolt 150 long with nut	1		
5	FC0110	clamp alum. 16mm	2		_FC016* if copper main
6	EE1120	6mm copper xlpe	2	metre	

SL2_3E Minor road Wood/conc. Pole with xarm _28W LED (equiv 70W MH & HPS)					
ITEM NUMBER	STOCK CODE	DESCRIPTION	QTY REQD	UNIT OF MEASURE	REMARKS
1	CB0424	bracket	1		
2	HL6607	Luminaire with 8m cable	1		
2	HL5557	PE Cell	1		
3	GF1804	Fuse holder with no fuse	1		
3	GF0925	10amp fuse	1		
4	AB4567	12 dia bolt 150 long with nut	1		
5	FC0110	clamp alum. 16mm	2		_FC016* if copper main
6	EE1120	6mm copper xlpe	2	metre	

SL2_3E_MP Minor road Wood/conc. Pole with xarm _28W LED_menu_price (equiv 70W MH & HPS)					
ITEM NUMBER	STOCK CODE	DESCRIPTION	QTY REQD	UNIT OF MEASURE	REMARKS
1	CB0424	bracket	1		
2	HL6607	LED Luminaire with 8m cable	1		
2	HL5557	NEMA base PE Cell	1		
3	GF1804	Fuse holder with no fuse	1		
3	GF0925	10amp fuse	1		
4	AB4567	12 dia bolt 150 long with nut	1		
5	FC0110	clamp alum. 16mm	2		_FC016* if copper main
6	EE1120	6mm copper xlpe	2	metre	



- NOTES:-
1. IF MINOR ROAD LIGHTING IS TO BE FITTED TO ARTERIAL ROAD LAYOUT REFER TO SL18 FOR BRACKETS.
 2. REMOVE ARTERIAL ROAD LUMINAIRE AND REPLACE WITH MINOR ROAD LUMINAIRE REQUIREMENT.

(FOR LED LUMINAIRES)

				COMPATIBLE UNIT			DISTRIBUTION DESIGN CATALOGUE			
				TITLE			DRAWN: JRR DATE: 10-04-2014		DRG. No.	
				ARTERIAL ROAD WOOD POLE WITH CROSSARM			ORIGINATED: SCALE: NTS		SL03-1	
							CHECKED: REE		REV. G	
							APPROVED: GRANT STACY		SHT.	
REV	DATE	DESCRIPTION	DRG	CHKD	APRD					
G	17.08.18	LED LUMINAIRE ADDED	REE	JC	FK					
F	01.12.09	ORIGINAL ISSUE								

CU	CU Description
----	----------------

Colour Temperature 4000

SL3_4L Arterial road Wood pole with xarm_80W LED (equiv 150W HPS & MH)					
ITEM NUMBER	STOCK CODE	DESCRIPTION	QTY REQD	UNIT OF MEASURE	REMARKS
1	CB0278	bracket with nuts and bolts	1		
2	HL6309	LED Luminaire with 15m cable	1		
2	HL5557	NEMA base PE Cell	1		
3	GF1804	Fuse holder with no fuse	1		
3	GF0925	10amp fuse	1		
4	AB4578	12 dia bolt 325 long with nut	1		
5	AB4567	12 dia bolt 150 long with nut	1		
6	FC0110	clamp alum. 16mm	2		_FC016* if copper main
7	EE1120	6mm copper xlpe	2	metres	

SL3_4L_MP Arterial road Wood pole with xarm_80W LED menu price (equiv 150W HPS & MH)					
ITEM NUMBER	STOCK CODE	DESCRIPTION	QTY REQD	UNIT OF MEASURE	REMARKS
1	CB0278	bracket with nuts and bolts	1		
2	HL6309	LED Luminaire with 15m cable	1		
2	HL5557	NEMA base PE Cell	1		
3	GF1804	Fuse holder with no fuse	1		
4	AB4578	12 dia bolt 325 long with nut	1		
5	AB4567	12 dia bolt 150 long with nut	1		
6	FC0110	clamp alum. 16mm	2		_FC016* if copper main
7	EE1120	6mm copper xlpe	2	metres	

SL3_5L Arterial road Wood pole with xarm_135W LED (equiv 250W MH)					
ITEM NUMBER	STOCK CODE	DESCRIPTION	QTY REQD	UNIT OF MEASURE	REMARKS
1	CB0278	bracket with nuts and bolts	1		
2	HL6612	LED Luminaire with 15m cable	1		
2	HL5557	NEMA base PE Cell	1		
3	GF1804	Fuse holder with no fuse	1		
3	GF0925	10amp fuse	1		
4	AB4578	12 dia bolt 325 long with nut	1		
5	AB4567	12 dia bolt 150 long with nut	1		
6	FC0110	clamp alum. 16mm	2		_FC016* if copper main
7	EE1120	6mm copper xlpe	2	metres	

CU	CU Description
----	----------------

SL3_5L_MP Arterial road Wood pole with xarm_135W LED menu price (equiv 250W MH)					
ITEM NUMBER	STOCK CODE	DESCRIPTION	QTY REQD	UNIT OF MEASURE	REMARKS
1	CB0278	bracket with nuts and bolts	1		
2	HL6612	LED Luminaire with 15m cable	1		
2	HL5557	NEMA base PE Cell	1		
3	GF1804	Fuse holder with no fuse	1		
3	GF0925	10amp fuse	1		
4	AB4578	12 dia bolt 325 long with nut	1		
5	AB4567	12 dia bolt 150 long with nut	1		
6	FC0110	clamp alum. 16mm	2		_FC016* if copper main
7	EE1120	6mm copper xlpe	2	metres	

SL3_6L Arterial road Wood pole with xarm_170W LED (equiv 250W HPS)					
ITEM NUMBER	STOCK CODE	DESCRIPTION	QTY REQD	UNIT OF MEASURE	REMARKS
1	CB0278	bracket with nuts and bolts	1		
2	HL6315	LED Luminaire with 15m cable	1		
2	HL5557	NEMA base PE Cell	1		
3	GF1804	Fuse holder with no fuse	1		
3	GF0925	10amp fuse	1		
4	AB4578	12 dia bolt 325 long with nut	1		
5	AB4567	12 dia bolt 150 long with nut	1		
6	FC0110	clamp alum. 16mm	2		_FC016* if copper main
7	EE1120	6mm copper xlpe	2	metres	

SL3_6L_MP Arterial road Wood pole with xarm_170W LED menu price (equiv 250W HPS)					
ITEM NUMBER	STOCK CODE	DESCRIPTION	QTY REQD	UNIT OF MEASURE	REMARKS
1	CB0278	bracket with nuts and bolts	1		
2	HL6315	LED Luminaire with 15m cable	1		
2	HL5557	NEMA base PE Cell	1		
3	GF1804	Fuse holder with no fuse	1		
3	GF0925	10amp fuse	1		
4	AB4578	12 dia bolt 325 long with nut	1		
5	AB4567	12 dia bolt 150 long with nut	1		
6	FC0110	clamp alum. 16mm	2		_FC016* if copper main
7	EE1120	6mm copper xlpe	2	metres	

CU	CU Description
----	----------------

Colour Temperature 3000

SL3_4E Arterial road Wood pole with xarm_80W LED (equiv 150W HPS & MH)					
ITEM NUMBER	STOCK CODE	DESCRIPTION	QTY REQD	UNIT OF MEASURE	REMARKS
1	CB0278	bracket with nuts and bolts	1		
2	HL6310	LED Luminaire with 15m cable	1		
2	HL5557	NEMA base PE Cell	1		
3	GF1804	Fuse holder with no fuse	1		
3	GF0925	10amp fuse	1		
4	AB4578	12 dia bolt 325 long with nut	1		
5	AB4567	12 dia bolt 150 long with nut	1		
6	FC0110	clamp alum. 16mm	2		_FC016* if copper main
7	EE1120	6mm copper xlpe	2	metres	

SL3_4E_MP Arterial road Wood pole with xarm_80W LED menu price (equiv 150W HPS & MH)					
ITEM NUMBER	STOCK CODE	DESCRIPTION	QTY REQD	UNIT OF MEASURE	REMARKS
1	CB0278	bracket with nuts and bolts	1		
2	HL6310	LED Luminaire with 15m cable	1		
2	HL5557	NEMA base PE Cell	1		
3	GF1804	Fuse holder with no fuse	1		
4	AB4578	12 dia bolt 325 long with nut	1		
5	AB4567	12 dia bolt 150 long with nut	1		
6	FC0110	clamp alum. 16mm	2		_FC016* if copper main
7	EE1120	6mm copper xlpe	2	metres	

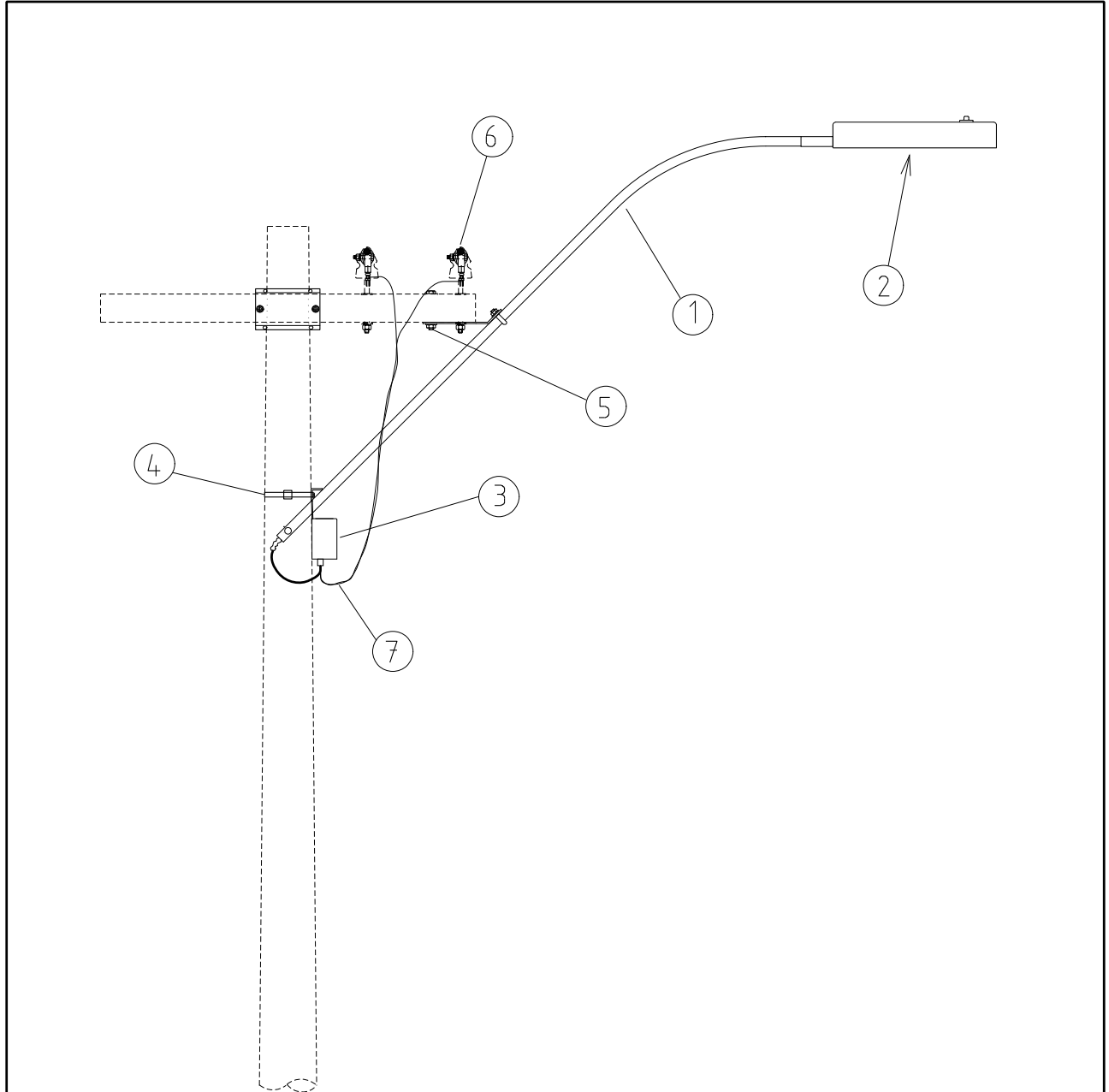
SL3_5E Arterial road Wood pole with xarm_160W LED (equiv 250W MH)					
ITEM NUMBER	STOCK CODE	DESCRIPTION	QTY REQD	UNIT OF MEASURE	REMARKS
1	CB0278	bracket with nuts and bolts	1		
2	HL6313	LED Luminaire with 15m cable	1		
2	HL5557	NEMA base PE Cell	1		
3	GF1804	Fuse holder with no fuse	1		
3	GF0925	10amp fuse	1		
4	AB4578	12 dia bolt 325 long with nut	1		
5	AB4567	12 dia bolt 150 long with nut	1		
6	FC0110	clamp alum. 16mm	2		_FC016* if copper main
7	EE1120	6mm copper xlpe	2	metres	

CU	CU Description
----	----------------

SL3_5E_MP Arterial road Wood pole with xarm_160W LED menu price (equiv 250W MH)					
ITEM NUMBER	STOCK CODE	DESCRIPTION	QTY REQD	UNIT OF MEASURE	REMARKS
1	CB0278	bracket with nuts and bolts	1		
2	HL6313	LED Luminaire with 15m cable	1		
2	HL5557	NEMA base PE Cell	1		
3	GF1804	Fuse holder with no fuse	1		
3	GF0925	10amp fuse	1		
4	AB4578	12 dia bolt 325 long with nut	1		
5	AB4567	12 dia bolt 150 long with nut	1		
6	FC0110	clamp alum. 16mm	2		_FC016* if copper main
7	EE1120	6mm copper xlpe	2	metres	

SL3_6E Arterial road Wood pole with xarm_170W LED (equiv 250W HPS)					
ITEM NUMBER	STOCK CODE	DESCRIPTION	QTY REQD	UNIT OF MEASURE	REMARKS
1	CB0278	bracket with nuts and bolts	1		
2	HL6316	LED Luminaire with 15m cable	1		
2	HL5557	NEMA base PE Cell	1		
3	GF1804	Fuse holder with no fuse	1		
3	GF0925	10amp fuse	1		
4	AB4578	12 dia bolt 325 long with nut	1		
5	AB4567	12 dia bolt 150 long with nut	1		
6	FC0110	clamp alum. 16mm	2		_FC016* if copper main
7	EE1120	6mm copper xlpe	2	metres	

SL3_6E_MP Arterial road Wood pole with xarm_170W LED menu price (equiv 250W HPS)					
ITEM NUMBER	STOCK CODE	DESCRIPTION	QTY REQD	UNIT OF MEASURE	REMARKS
1	CB0278	bracket with nuts and bolts	1		
2	HL6316	LED Luminaire with 15m cable	1		
2	HL5557	NEMA base PE Cell	1		
3	GF1804	Fuse holder with no fuse	1		
3	GF0925	10amp fuse	1		
4	AB4578	12 dia bolt 325 long with nut	1		
5	AB4567	12 dia bolt 150 long with nut	1		
6	FC0110	clamp alum. 16mm	2		_FC016* if copper main
7	EE1120	6mm copper xlpe	2	metres	



NOTES:-

1. IF MINOR ROAD LIGHTING IS TO BE FITTED TO ARTERIAL ROAD LAYOUT REFER TO SL18 FOR BRACKETS.
2. REMOVE ARTERIAL ROAD LUMINAIRE AND REPLACE WITH MINOR ROAD LUMINAIRE REQUIREMENT.

(FOR LED LUMINAIRES)

				COMPATIBLE UNIT			DISTRIBUTION DESIGN CATALOGUE		westernpower	
				TITLE			DRAWN: JRR DATE: 10-04-2014		DRG. No.	
				ARTERIAL ROAD CONCRETE POLE WITH CROSSARM			ORIGINATED: SCALE: NTS		SL05-1	
				CHECKED: REE			APPROVED: GRANT STACY		REV. E SHT.	
REV	DATE	DESCRIPTION	DRGD	CHKD	APRD					
E	17.08.18	LED LUMINAIRE ADDED	REE	JC	FK					
D	01.12.09	ORIGINAL ISSUE								

CU	CU Description
----	----------------

Colour Temperature 4000

SL5_4L Arterial road concrete poles with xarm_80W LED (equiv 150W HPS & MH)					
ITEM NUMBER	STOCK CODE	DESCRIPTION	QTY REQD	UNIT OF MEASURE	REMARKS
1	CB0278	bracket with nuts and bolts	1		
2	HL6309	LED Luminaire with 15m cable	1		
2	HL5557	NEMA base PE Cell	1		
3	GF1804	Fuse holder with no fuse	1		
3	GF0925	10amp fuse	1		
4	CB0287	mounting bracket concrete pole	1		
5	AB4567	12 dia bolt 150 long with nut	1		
6	FC0110	clamp alum. 16mm	2		_FC016* if copper main
7	EE1120	6mm copper xlpe	2	metres	

SL5_4L_MP Arterial road concrete pole with xarm_80W LED) menu price (equiv 150W HPS & MH)					
ITEM NUMBER	STOCK CODE	DESCRIPTION	QTY REQD	UNIT OF MEASURE	REMARKS
1	CB0278	bracket with nuts and bolts	1		
2	HL6309	LED Luminaire with 15m cable	1		
2	HL5557	NEMA base PE Cell	1		
3	GF1804	Fuse holder with no fuse	1		
3	GF0925	10amp fuse	1		
4	CB0287	mounting bracket concrete pole	1		
5	AB4567	12 dia bolt 150 long with nut	1		
6	FC0110	clamp alum. 16mm	2		_FC016* if copper main
7	EE1120	6mm copper xlpe	2	metres	

SL5_5L Arterial road concrete pole with xarm_135W LED (equiv 250W MH)					
ITEM NUMBER	STOCK CODE	DESCRIPTION	QTY REQD	UNIT OF MEASURE	REMARKS
1	CB0278	bracket with nuts and bolts	1		
2	HL6612	LED Luminaire with 15m cable	1		
2	HL5557	NEMA base PE Cell	1		
3	GF1804	Fuse holder with no fuse	1		
3	GF0925	10amp fuse	1		
4	CB0287	mounting bracket concrete pole	1		
5	AB4567	12 dia bolt 150 long with nut	1		
6	FC0110	clamp alum. 16mm	2		_FC016* if copper main
7	EE1120	6mm copper xlpe	2	metres	

CU	CU Description
----	----------------

SL5_5L_MP Arterial road concrete pole with xarm_135W LED menu price (equiv 250W MH)					
ITEM NUMBER	STOCK CODE	DESCRIPTION	QTY REOD	UNIT OF MEASURE	REMARKS
1	CB0278	bracket with nuts and bolts	1		
2	HL6612	LED Luminaire with 15m cable	1		
2	HL5557	NEMA base PE Cell	1		
3	GF1804	Fuse holder with no fuse	1		
3	GF0925	10amp fuse	1		
4	CB0287	mounting bracket concrete pole	1		
5	AB4567	12 dia bolt 150 long with nut	1		
6	FC0110	clamp alum. 16mm	2		_FC016* if copper main
7	EE1120	6mm copper xlpe	2	metres	

SL5_6L Arterial road concrete pole with xarm_170W LED (equiv 250W HPS)					
ITEM NUMBER	STOCK CODE	DESCRIPTION	QTY REOD	UNIT OF MEASURE	REMARKS
1	CB0278	bracket with nuts and bolts	1		
2	HL6315	LED Luminaire with 15m cable	1		
2	HL5557	NEMA base PE Cell	1		
3	GF1804	Fuse holder with no fuse	1		
3	GF0925	10amp fuse	1		
4	CB0287	mounting bracket concrete pole	1		
5	AB4567	12 dia bolt 150 long with nut	1		
6	FC0110	clamp alum. 16mm	2		_FC016* if copper main
7	EE1120	6mm copper xlpe	2	metres	

SL5_6L_MP Arterial road concrete pole with xarm_170W LED menu price (equiv 250W HPS)					
ITEM NUMBER	STOCK CODE	DESCRIPTION	QTY REOD	UNIT OF MEASURE	REMARKS
1	CB0278	bracket with nuts and bolts	1		
2	HL6315	LED Luminaire with 15m cable	1		
2	HL5557	NEMA base PE Cell	1		
3	GF1804	Fuse holder with no fuse	1		
3	GF0925	10amp fuse	1		
4	CB0287	mounting bracket concrete pole	1		
5	AB4567	12 dia bolt 150 long with nut	1		
6	FC0110	clamp alum. 16mm	2		_FC016* if copper main
7	EE1120	6mm copper xlpe	2	metres	

CU	CU Description
----	----------------

Colour Temperature 3000

SL5_4E Arterial road concrete poles with xarm_80W LED (equiv 150W HPS & MH)					
ITEM NUMBER	STOCK CODE	DESCRIPTION	QTY REQD	UNIT OF MEASURE	REMARKS
1	CB0278	bracket with nuts and bolts	1		
2	HL6310	LED Luminaire with 15m cable	1		
2	HL5557	NEMA base PE Cell	1		
3	GF1804	Fuse holder with no fuse	1		
3	GF0925	10amp fuse	1		
4	CB0287	mounting bracket concrete pole	1		
5	AB4567	12 dia bolt 150 long with nut	1		
6	FC0110	clamp alum. 16mm	2		_FC016* if copper main
7	EE1120	6mm copper xlpe	2	metres	

SL5_4E_MP Arterial road concrete pole with xarm_80W LED) menu price (equiv 150W HPS & MH					
ITEM NUMBER	STOCK CODE	DESCRIPTION	QTY REQD	UNIT OF MEASURE	REMARKS
1	CB0278	bracket with nuts and bolts	1		
2	HL6310	LED Luminaire with 15m cable	1		
2	HL5557	NEMA base PE Cell	1		
3	GF1804	Fuse holder with no fuse	1		
3	GF0925	10amp fuse	1		
4	CB0287	mounting bracket concrete pole	1		
5	AB4567	12 dia bolt 150 long with nut	1		
6	FC0110	clamp alum. 16mm	2		_FC016* if copper main
7	EE1120	6mm copper xlpe	2	metres	

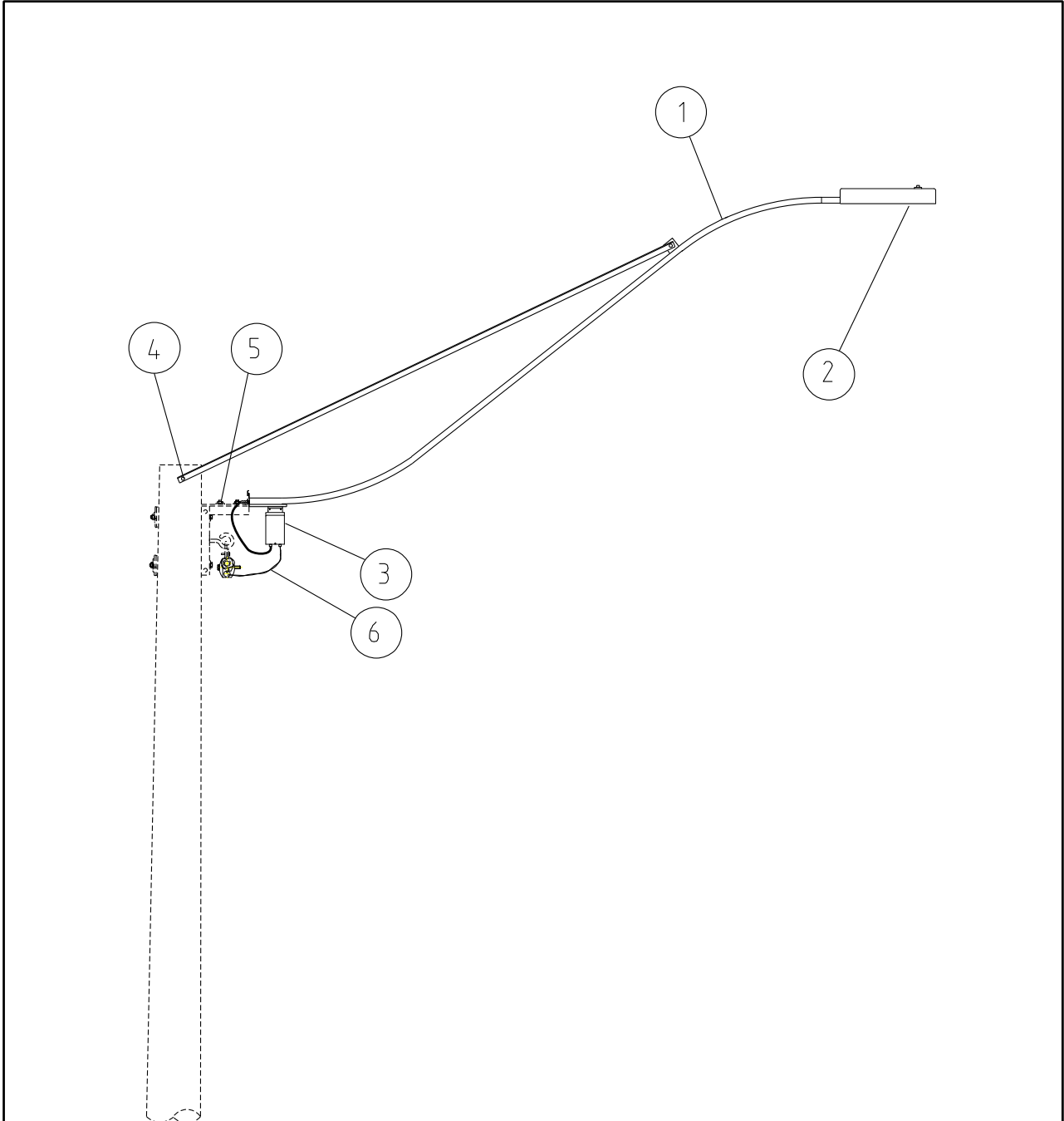
SL5_5E Arterial road concrete pole with xarm_160W LED (equiv 250W MH)					
ITEM NUMBER	STOCK CODE	DESCRIPTION	QTY REQD	UNIT OF MEASURE	REMARKS
1	CB0278	bracket with nuts and bolts	1		
2	HL6313	LED Luminaire with 15m cable	1		
2	HL5557	NEMA base PE Cell	1		
3	GF1804	Fuse holder with no fuse	1		
3	GF0925	10amp fuse	1		
4	CB0287	mounting bracket concrete pole	1		
5	AB4567	12 dia bolt 150 long with nut	1		
6	FC0110	clamp alum. 16mm	2		_FC016* if copper main
7	EE1120	6mm copper xlpe	2	metres	

CU	CU Description
----	----------------

SL5_5E_MP Arterial road concrete pole with xarm_160W LED menu price (equiv 250W MH)					
ITEM NUMBER	STOCK CODE	DESCRIPTION	QTY REOD	UNIT OF MEASURE	REMARKS
1	CB0278	bracket with nuts and bolts	1		
2	HL6313	LED Luminaire with 15m cable	1		
2	HL5557	NEMA base PE Cell	1		
3	GF1804	Fuse holder with no fuse	1		
3	GF0925	10amp fuse	1		
4	CB0287	mounting bracket concrete pole	1		
5	AB4567	12 dia bolt 150 long with nut	1		
6	FC0110	clamp alum. 16mm	2		_FC016* if copper main
7	EE1120	6mm copper xlpe	2	metres	

SL5_6E Arterial road concrete pole with xarm_170W LED (equiv 250W HPS)					
ITEM NUMBER	STOCK CODE	DESCRIPTION	QTY REOD	UNIT OF MEASURE	REMARKS
1	CB0278	bracket with nuts and bolts	1		
2	HL6316	LED Luminaire with 15m cable	1		
2	HL5557	NEMA base PE Cell	1		
3	GF1804	Fuse holder with no fuse	1		
3	GF0925	10amp fuse	1		
4	CB0287	mounting bracket concrete pole	1		
5	AB4567	12 dia bolt 150 long with nut	1		
6	FC0110	clamp alum. 16mm	2		_FC016* if copper main
7	EE1120	6mm copper xlpe	2	metres	

SL5_6E_MP Arterial road concrete pole with xarm_170W LED menu price (equiv 250W HPS)					
ITEM NUMBER	STOCK CODE	DESCRIPTION	QTY REOD	UNIT OF MEASURE	REMARKS
1	CB0278	bracket with nuts and bolts	1		
2	HL6316	LED Luminaire with 15m cable	1		
2	HL5557	NEMA base PE Cell	1		
3	GF1804	Fuse holder with no fuse	1		
3	GF0925	10amp fuse	1		
4	CB0287	mounting bracket concrete pole	1		
5	AB4567	12 dia bolt 150 long with nut	1		
6	FC0110	clamp alum. 16mm	2		_FC016* if copper main
7	EE1120	6mm copper xlpe	2	metres	



NOTES:

1. IF MINOR ROAD LIGHTING IS TO BE FITTED TO ARTERIAL ROAD LAYOUT REFER TO SL18 FOR BRACKETS.
2. REMOVE ARTERIAL ROAD LUMINAIRE AND REPLACE WITH MINOR ROAD LUMINAIRE REQUIREMENT

(FOR LED LUMINAIRES)

				COMPATIBLE UNIT			DISTRIBUTION DESIGN CATALOGUE		westernpower	
				TITLE			DRAWN: JRR		DATE: 17-04-2014	
				ARTERIAL ROAD FOR ABC			ORIGINATED:		SCALE: NTS	
							CHECKED: REE		ORG. No.	
							APPROVED: GRANT STACY		SL06-1	
									REV. G	
									SHT.	
REV	DATE	DESCRIPTION	ORGO	CHKD	APRD					
G	17.08.18	LED LUMINAIRE ADDED	REE	JC	FK					
F	24.08.16	ITEM No. 5 ADDED	CO	REE	GS					
E	01.12.09	ORIGINAL ISSUE								



CU	CU Description
----	----------------

Colour Temperature 4000

SL6_4L Arterial road LVABC_80W LED (equiv 150W HPS & MH)					
ITEM NUMBER	STOCK CODE	DESCRIPTION	QTY REQD	UNIT OF MEASURE	REMARKS
1	CB0430	bracket with nuts and bolts	1		
2	HL6309	LED Luminaire with 15m cable	1		
2	HL5557	NEMA base PE Cell	1		
3	GF1804	Fuse holder with no fuse	1		
3	GF0925	10amp fuse	1		
4	AB4578	12 dia bolt 325 long with nut	1		
5	AB2956	Set screw M12*25mm	2		
6	EE1120	6mm copper xlpe	1	metres	

SL6_4L_MP Arterial road LVABC_80W LED (equiv 150W HPS & MH) menu price					
ITEM NUMBER	STOCK CODE	DESCRIPTION	QTY REQD	UNIT OF MEASURE	REMARKS
1	CB0430	bracket with nuts and bolts	1		
2	HL6309	LED Luminaire with 15m cable	1		
2	HL5557	NEMA base PE Cell	1		
3	GF1804	Fuse holder with no fuse	1		
3	GF0925	10amp fuse	1		
4	AB4578	12 dia bolt 325 long with nut	1		
5	AB2956	Set screw M12*25mm	2		
6	EE1120	6mm copper xlpe	1	metres	

SL6_5L Arterial road LVABC_135W LED (equiv 250W MH)					
ITEM NUMBER	STOCK CODE	DESCRIPTION	QTY REQD	UNIT OF MEASURE	REMARKS
1	CB0430	bracket with nuts and bolts	1		
2	HL6612	LED Luminaire with 15m cable	1		
2	HL5557	NEMA base PE Cell	1		
3	GF1804	Fuse holder with no fuse	1		
3	GF0925	10amp fuse	1		
4	AB4578	12 dia bolt 325 long with nut	1		
5	AB2956	Set screw M12*25mm	2		
6	EE1120	6mm copper xlpe	1	metres	

CU	CU Description
----	----------------

SL6_5L_MP Arterial road LVABC_135W LED (equiv 250W MH) menu price					
ITEM NUMBER	STOCK CODE	DESCRIPTION	QTY REQD	UNIT OF MEASURE	REMARKS
1	CB0430	bracket with nuts and bolts	1		
2	HL6612	LED Luminaire with 15m cable	1		
2	HL5557	NEMA base PE Cell	1		
3	GF1804	Fuse holder with no fuse	1		
3	GF0925	10amp fuse	1		
4	AB4578	12 dia bolt 325 long with nut	1		
5	AB2956	Set screw M12*25mm	2		
6	EE1120	6mm copper xlpe	1	metres	

SL6_6L Arterial road LVABC_170W LED (equiv 250W HPS)					
ITEM NUMBER	STOCK CODE	DESCRIPTION	QTY REQD	UNIT OF MEASURE	REMARKS
1	CB0430	bracket with nuts and bolts	1		
2	HL6315	LED Luminaire with 15m cable	1		
2	HL5557	NEMA base PE Cell	1		
3	GF1804	Fuse holder with no fuse	1		
3	GF0925	10amp fuse	1		
4	AB4578	12 dia bolt 325 long with nut	1		
5	AB2956	Set screw M12*25mm	2		
6	EE1120	6mm copper xlpe	1	metres	

SL6_6L_MP Arterial road LVABC_170W LED (equiv 250W HPS) menu price					
ITEM NUMBER	STOCK CODE	DESCRIPTION	QTY REQD	UNIT OF MEASURE	REMARKS
1	CB0430	bracket with nuts and bolts	1		
2	HL6315	LED Luminaire with 15m cable	1		
2	HL5557	NEMA base PE Cell	1		
3	GF1804	Fuse holder with no fuse	1		
3	GF0925	10amp fuse	1		
4	AB4578	12 dia bolt 325 long with nut	1		
5	AB2956	Set screw M12*25mm	2		
6	EE1120	6mm copper xlpe	1	metres	

CU	CU Description
----	----------------

Colour Temperature 3000

SL6_4E Arterial road LVABC_80W LED (equiv 150W HPS & MH)					
ITEM NUMBER	STOCK CODE	DESCRIPTION	QTY REQD	UNIT OF MEASURE	REMARKS
1	CB0430	bracket with nuts and bolts	1		
2	HL6310	LED Luminaire with 15m cable	1		
2	HL5557	NEMA base PE Cell	1		
3	GF1804	Fuse holder with no fuse	1		
3	GF0925	10amp fuse	1		
4	AB4578	12 dia bolt 325 long with nut	1		
5	AB2956	Set screw M12*25mm	2		
6	EE1120	6mm copper xlpe	1	metres	

SL6_4E_MP Arterial road LVABC_80W LED (equiv 150W HPS & MH) menu price					
ITEM NUMBER	STOCK CODE	DESCRIPTION	QTY REQD	UNIT OF MEASURE	REMARKS
1	CB0430	bracket with nuts and bolts	1		
2	HL6310	LED Luminaire with 15m cable	1		
2	HL5557	NEMA base PE Cell	1		
3	GF1804	Fuse holder with no fuse	1		
3	GF0925	10amp fuse	1		
4	AB4578	12 dia bolt 325 long with nut	1		
5	AB2956	Set screw M12*25mm	2		
6	EE1120	6mm copper xlpe	1	metres	

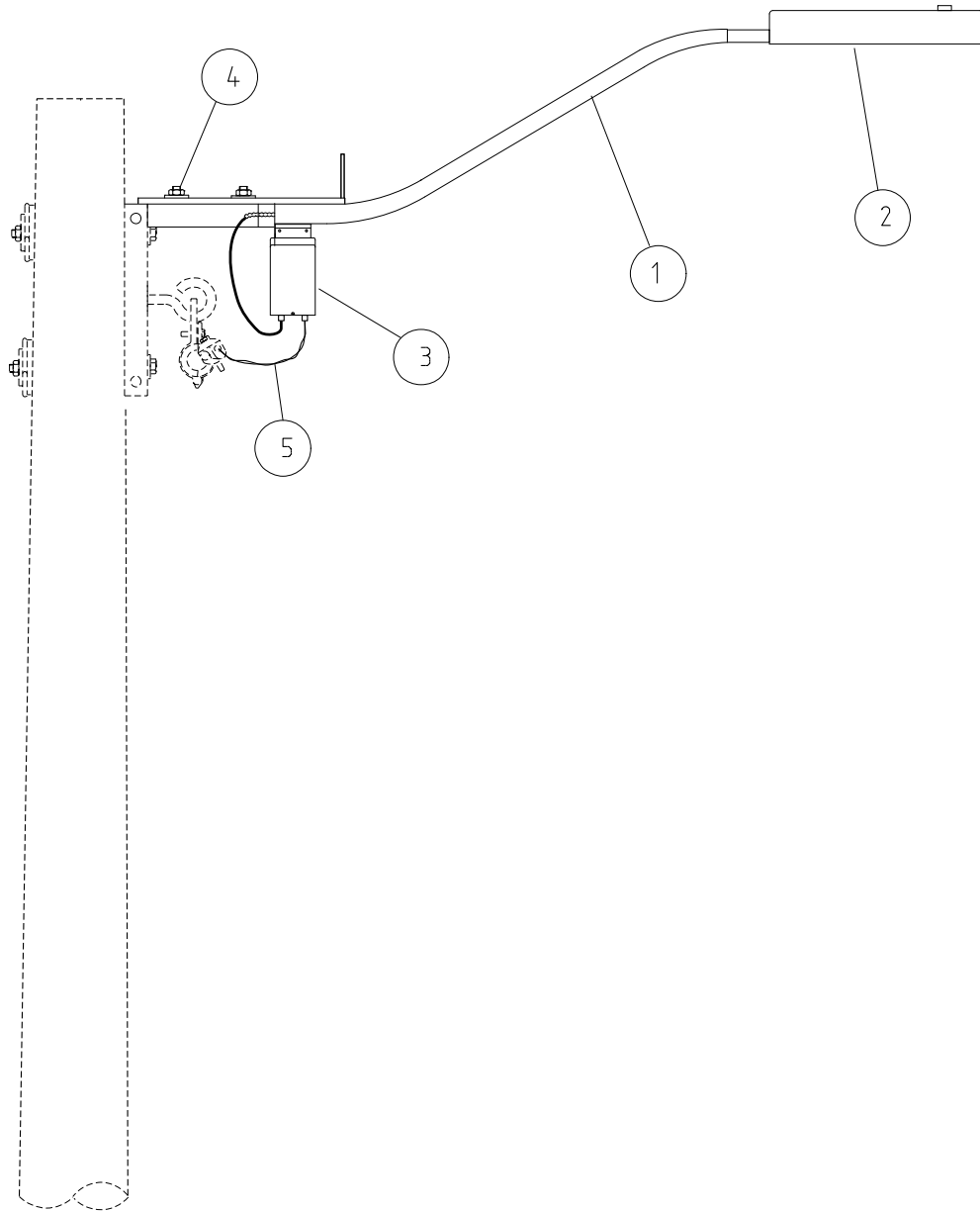
SL6_5E Arterial road LVABC_160W LED (equiv 250W MH)					
ITEM NUMBER	STOCK CODE	DESCRIPTION	QTY REQD	UNIT OF MEASURE	REMARKS
1	CB0430	bracket with nuts and bolts	1		
2	HL6313	LED Luminaire with 15m cable	1		
2	HL5557	NEMA base PE Cell	1		
3	GF1804	Fuse holder with no fuse	1		
3	GF0925	10amp fuse	1		
4	AB4578	12 dia bolt 325 long with nut	1		
5	AB2956	Set screw M12*25mm	2		
6	EE1120	6mm copper xlpe	1	metres	

CU	CU Description
----	----------------

SL6_5E_MP Arterial road LVABC_160W LED (equiv 250W MH) menu price					
ITEM NUMBER	STOCK CODE	DESCRIPTION	QTY REQD	UNIT OF MEASURE	REMARKS
1	CB0430	bracket with nuts and bolts	1		
2	HL6313	LED Luminaire with 15m cable	1		
2	HL5557	NEMA base PE Cell	1		
3	GF1804	Fuse holder with no fuse	1		
3	GF0925	10amp fuse	1		
4	AB4578	12 dia bolt 325 long with nut	1		
5	AB2956	Set screw M12*25mm	2		
6	EE1120	6mm copper xlpe	1	metres	

SL6_6E Arterial road LVABC_170W LED (equiv 250W HPS)					
ITEM NUMBER	STOCK CODE	DESCRIPTION	QTY REQD	UNIT OF MEASURE	REMARKS
1	CB0430	bracket with nuts and bolts	1		
2	HL6316	LED Luminaire with 15m cable	1		
2	HL5557	NEMA base PE Cell	1		
3	GF1804	Fuse holder with no fuse	1		
3	GF0925	10amp fuse	1		
4	AB4578	12 dia bolt 325 long with nut	1		
5	AB2956	Set screw M12*25mm	2		
6	EE1120	6mm copper xlpe	1	metres	

SL6_6E_MP Arterial road LVABC_170W LED (equiv 250W HPS) menu price					
ITEM NUMBER	STOCK CODE	DESCRIPTION	QTY REQD	UNIT OF MEASURE	REMARKS
1	CB0430	bracket with nuts and bolts	1		
2	HL6316	LED Luminaire with 15m cable	1		
2	HL5557	NEMA base PE Cell	1		
3	GF1804	Fuse holder with no fuse	1		
3	GF0925	10amp fuse	1		
4	AB4578	12 dia bolt 325 long with nut	1		
5	AB2956	Set screw M12*25mm	2		
6	EE1120	6mm copper xlpe	1	metres	



NOTES:-

1. IF ARTERIAL LIGHTING IS TO BE FITTED TO MINOR ROAD LAYOUT REFER TO SL18 FOR BRACKETS.
2. REMOVE MINOR ROAD LUMINAIRE AND REPLACE WITH ARTERIAL ROAD LUMINAIRE REQUIREMENT.

				COMPATIBLE UNIT			DISTRIBUTION DESIGN CATALOGUE			
				TITLE			DRAWN: JRR		DATE: 17-04-2014	
				MINOR ROAD FOR ABC			ORIGINATED:		SCALE: NTS	
							CHECKED: REE		REV. G	
							APPROVED: GRANT STACY		SHT. SL07	
REV	DATE	DESCRIPTION	ORGO	CHKD	APRD					
G	21.07.21	LED LUMINAIRE SHAPE CHANGED	REE	CO	GS					
F	17.08.18	LED LUMINAIRE ADDED	REE	JC	GS					
E	03.10.16	FORMAT CHANGED	JC	REE	GS					
D	04.04.12	ORIGINAL ISSUE								

CU	CU Description
----	----------------

Colour Temperature 4000

SL7_1L Minor Road LVABC_20W LED (equiv 42W CFL)					
ITEM NUMBER	STOCK CODE	DESCRIPTION	QTY REQD	UNIT OF MEASURE	REMARKS
1	CB0424	bracket	1		
2	HL6300	LED Luminaire with 8m cable	1		
2	HL5557	NEMA base PE Cell	1		
3	GF1804	Fuse holder with no fuse	1		
3	GF0925	10amp fuse	1		
4	AB2956	Set screw M12*25mm	2		
5	EE1120	6mm copper xlpe	2	metres	

SL7_1L_MP Minor Road LVABC_20W LED menu price (equiv 42W CFL)					
ITEM NUMBER	STOCK CODE	DESCRIPTION	QTY REQD	UNIT OF MEASURE	REMARKS
1	CB0424	bracket	1		
2	HL6300	LED Luminaire with 8m cable	1		
2	HL5557	NEMA base PE Cell	1		
3	GF1804	Fuse holder with no fuse	1		
3	GF0925	10amp fuse	1		
4	AB2956	Set screw M12*25mm	2		
5	EE1120	6mm copper xlpe	2	metres	

SL7_2L Minor Road LVABC_53W LED (equiv 125W MV)					
ITEM NUMBER	STOCK CODE	DESCRIPTION	QTY REQD	UNIT OF MEASURE	REMARKS
1	CB0424	bracket	1		
2	HL6303	LED Luminaire with 8m cable	1		
2	HL5557	NEMA base PE Cell	1		
3	GF1804	Fuse holder with no fuse	1		
3	GF0925	10amp fuse	1		
4	AB2956	Set screw M12*25mm	2		
5	EE1120	6mm copper xlpe	2	metres	

SL7_2L_MP Minor Road LVABC_53W LED menu price (equiv 125W MV)					
ITEM NUMBER	STOCK CODE	DESCRIPTION	QTY REQD	UNIT OF MEASURE	REMARKS
1	CB0424	bracket	1		
2	HL6303	LED Luminaire with 8m cable	1		
2	HL5557	NEMA base PE Cell	1		
3	GF1804	Fuse holder with no fuse	1		
3	GF0925	10amp fuse	1		
4	AB2956	Set screw M12*25mm	2		
5	EE1120	6mm copper xlpe	2	metres	

CU	CU Description
----	----------------

SL7_3L Minor Road LVABC_36W LED (equiv 70W MH & HPS)					
ITEM NUMBER	STOCK CODE	DESCRIPTION	QTY REQD	UNIT OF MEASURE	REMARKS
1	CB0424	bracket	1		
2	HL6306	LED Luminaire with 8m cable	1		
2	HL5557	NEMA base PE Cell	1		
3	GF1804	Fuse holder with no fuse	1		
3	GF0925	10amp fuse	1		
4	AB2956	Set screw M12*25mm	2		
5	EE1120	6mm copper xlpe	2	metres	

SL7_3L_MP Minor Road LVABC_36W LED menu price (equiv 70W MH & HPS)					
ITEM NUMBER	STOCK CODE	DESCRIPTION	QTY REQD	UNIT OF MEASURE	REMARKS
1	CB0424	bracket	1		
2	HL6306	LED Luminaire with 8m cable	1		
2	HL5557	NEMA base PE Cell	1		
3	GF1804	Fuse holder with no fuse	1		
3	GF0925	10amp fuse	1		
4	AB2956	Set screw M12*25mm	2		
5	EE1120	6mm copper xlpe	2	metres	

Colour Temperature 3000

SL7_1E Minor Road LVABC_16W LED (equiv 42W CFL)					
ITEM NUMBER	STOCK CODE	DESCRIPTION	QTY REQD	UNIT OF MEASURE	REMARKS
1	CB0424	bracket	1		
2	HL6601	LED Luminaire with 8m cable	1		
2	HL5557	NEMA base PE Cell	1		
3	GF1804	Fuse holder with no fuse	1		
3	GF0925	10amp fuse	1		
4	AB2956	Set screw M12*25mm	2		
5	EE1120	6mm copper xlpe	2	metres	

SL7_1E_MP Minor Road LVABC_16W LED menu price (equiv 42W CFL)					
ITEM NUMBER	STOCK CODE	DESCRIPTION	QTY REQD	UNIT OF MEASURE	REMARKS
1	CB0424	bracket	1		
2	HL6601	LED Luminaire with 8m cable	1		
2	HL5557	NEMA base PE Cell	1		
3	GF1804	Fuse holder with no fuse	1		
3	GF0925	10amp fuse	1		
4	AB2956	Set screw M12*25mm	2		
5	EE1120	6mm copper xlpe	2	metres	

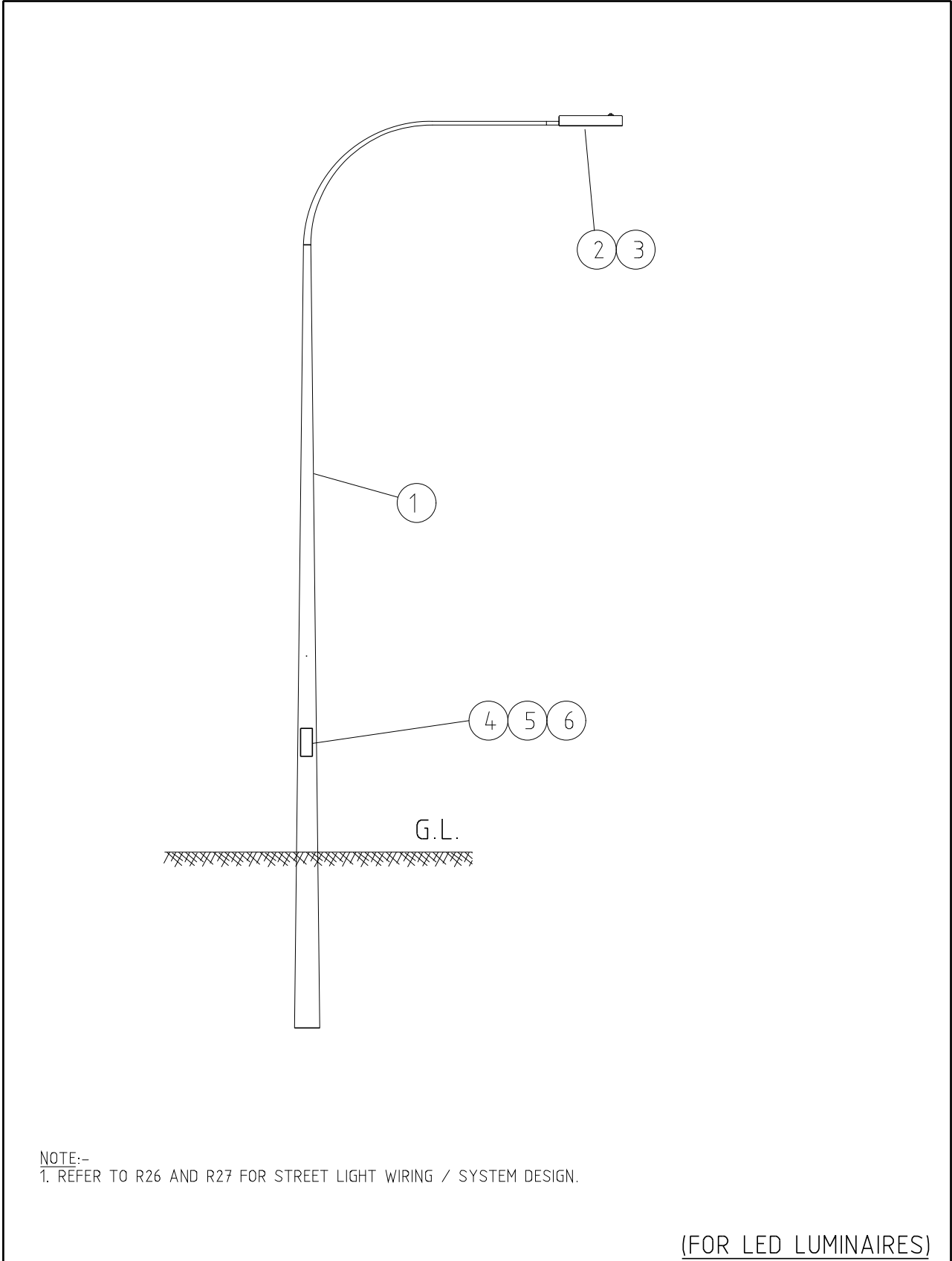
CU	CU Description
----	----------------

SL7_2E Minor Road LVABC_43W LED (equiv 125W MV)					
ITEM NUMBER	STOCK CODE	DESCRIPTION	QTY REQD	UNIT OF MEASURE	REMARKS
1	CB0424	bracket	1		
2	HL6604	LED Luminaire with 8m cable	1		
2	HL5557	NEMA base PE Cell	1		
3	GF1804	Fuse holder with no fuse	1		
3	GF0925	10amp fuse	1		
4	AB2956	Set screw M12*25mm	2		
5	EE1120	6mm copper xlpe	2	metres	

SL7_2E_MP Minor Road LVABC_43W LED menu price (equiv 125W MV)					
ITEM NUMBER	STOCK CODE	DESCRIPTION	QTY REQD	UNIT OF MEASURE	REMARKS
1	CB0424	bracket	1		
2	HL6604	LED Luminaire with 8m cable	1		
2	HL5557	NEMA base PE Cell	1		
3	GF1804	Fuse holder with no fuse	1		
3	GF0925	10amp fuse	1		
4	AB2956	Set screw M12*25mm	2		
5	EE1120	6mm copper xlpe	2	metres	

SL7_3E Minor Road LVABC_28W LED (equiv 70W MH & HPS)					
ITEM NUMBER	STOCK CODE	DESCRIPTION	QTY REQD	UNIT OF MEASURE	REMARKS
1	CB0424	bracket	1		
2	HL6607	LED Luminaire with 8m cable	1		
2	HL5557	NEMA base PE Cell	1		
3	GF1804	Fuse holder with no fuse	1		
3	GF0925	10amp fuse	1		
4	AB2956	Set screw M12*25mm	2		
5	EE1120	6mm copper xlpe	2	metres	

SL7_3E_MP Minor Road LVABC_28W LED menu price (equiv 70W MH & HPS)					
ITEM NUMBER	STOCK CODE	DESCRIPTION	QTY REQD	UNIT OF MEASURE	REMARKS
1	CB0424	bracket	1		
2	HL6607	LED Luminaire with 8m cable	1		
2	HL5557	NEMA base PE Cell	1		
3	GF1804	Fuse holder with no fuse	1		
3	GF0925	10amp fuse	1		
4	AB2956	Set screw M12*25mm	2		
5	EE1120	6mm copper xlpe	2	metres	



NOTE:-
 1. REFER TO R26 AND R27 FOR STREET LIGHT WIRING / SYSTEM DESIGN.

(FOR LED LUMINAIRES)

				COMPATIBLE UNIT			DISTRIBUTION DESIGN CATALOGUE		westernpower	
				TITLE			DRAWN: JRR		DATE: 17-04-2014	
				SINGLE OUTREACH			ORIGINATED:		SCALE: NTS	
				STEEL STANDARD - 6.5M			CHECKED: REE		ORG. No.	
							APPROVED: GRANT STACY		SL08-1	
REV	DATE	DESCRIPTION	ORGD	CHKD	APRD			REV	SHT.	
F	24.06.20	ITEM 6 (IN20135) ADDED	CO	REE	GS			F		
E	17.08.18	LED LUMINAIRE ADDED	REE	JC	FK					
D	04.04.12	ORIGINAL ISSUE								



CU	CU Description
----	----------------

Colour Temperature 4000

SL8_1L Single outreach steel standard 6.5m_20W LED (equiv 42W CFL)					
ITEM NUMBER	STOCK CODE	DESCRIPTION	QTY REQD	UNIT OF MEASURE	REMARKS
1	CW0255	6.5m SL steel pole, metal galvanised	1		
2	HL6300	LED Luminaire with 8m cable	1		
3	HL5557	NEMA base PE Cell	1		
4	HZ0131	SL fuse cut-out	1		
5	GF1300	fuse cartridge 10 amp	1		
6	HZ0135	Cut-out mounting bracket	1		

SL8_2L Single outreach steel standard 6.5m_53W LED (equiv 125W MV)					
ITEM NUMBER	STOCK CODE	DESCRIPTION	QTY REQD	UNIT OF MEASURE	REMARKS
1	CW0255	6.5m SL steel pole, metal galvanised	1		
2	HL6303	LED Luminaire with 8m cable	1		
3	HL5557	NEMA base PE Cell	1		
4	HZ0131	SL fuse cut-out	1		
5	GF1300	fuse cartridge 10 amp	1		
6	HZ0135	Cut-out mounting bracket	1		

SL8_3L Single outreach steel standard 6.5m_36W LED (equiv 70W MH & HPS)					
ITEM NUMBER	STOCK CODE	DESCRIPTION	QTY REQD	UNIT OF MEASURE	REMARKS
1	CW0255	6.5m SL steel pole, metal galvanised	1		
2	HL6306	LED Luminaire with 8m cable	1		
3	HL5557	NEMA base PE Cell	1		
4	HZ0131	SL fuse cut-out	1		
5	GF1300	fuse cartridge 10 amp	1		
6	HZ0135	Cut-out mounting bracket	1		

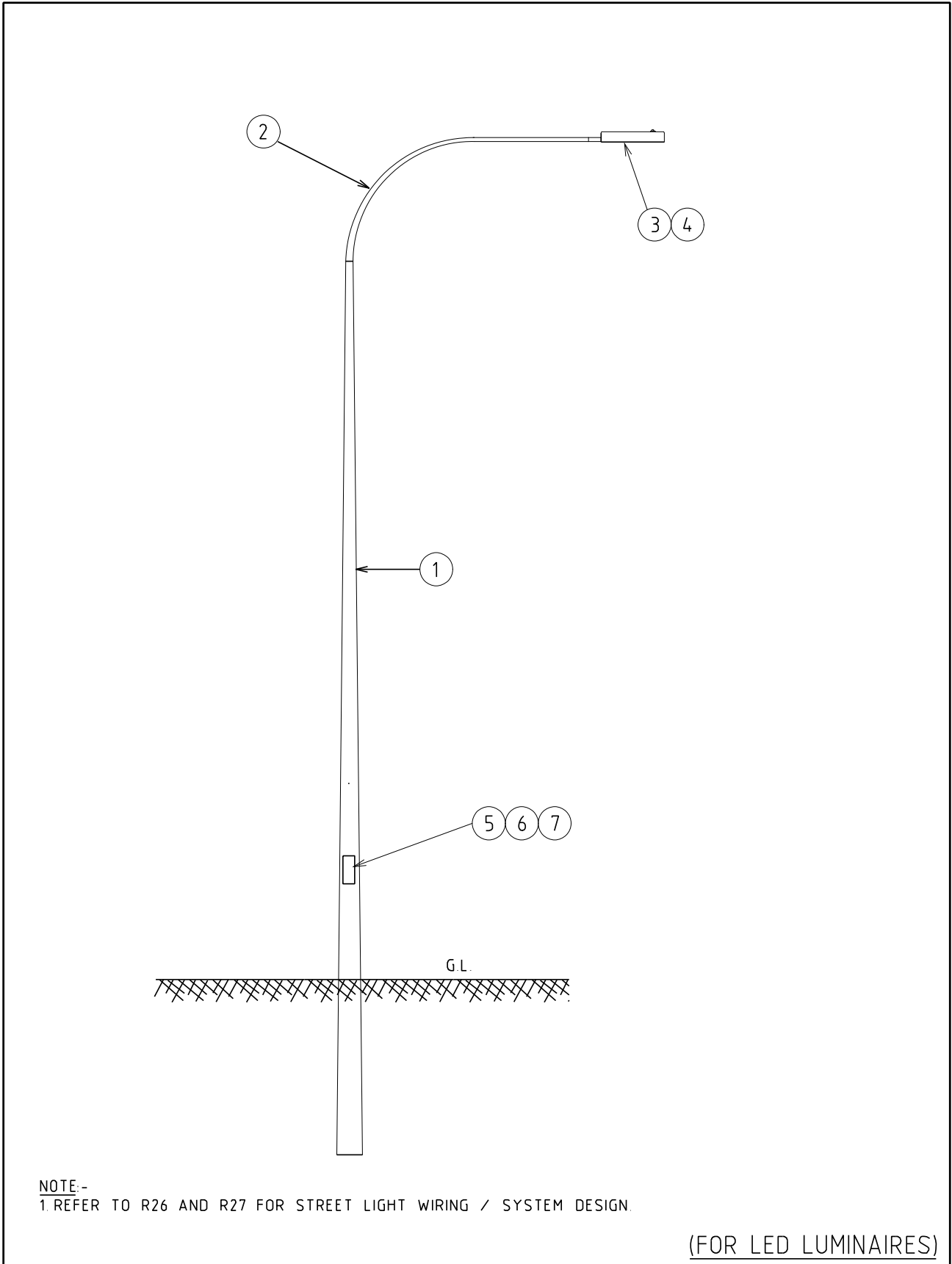
Colour Temperature 3000

SL8_1E Single outreach steel standard 6.5m_16W LED (equiv 42W CFL)					
ITEM NUMBER	STOCK CODE	DESCRIPTION	QTY REQD	UNIT OF MEASURE	REMARKS
1	CW0255	6.5m SL steel pole, metal galvanised	1		
2	HL6601	LED Luminaire with 8m cable	1		
3	HL5557	NEMA base PE Cell	1		
4	HZ0131	SL fuse cut-out	1		
5	GF1300	fuse cartridge 10 amp	1		
6	HZ0135	Cut-out mounting bracket	1		

CU	CU Description
----	----------------

SL8_2E Single outreach steel standard 6.5m_43W LED (equiv 125W MV)					
ITEM NUMBER	STOCK CODE	DESCRIPTION	QTY REQD	UNIT OF MEASURE	REMARKS
1	CW0255	6.5m SL steel pole, metal galvanised	1		
2	HL6604	LED Luminaire with 8m cable	1		
3	HL5557	NEMA base PE Cell	1		
4	HZ0131	SL fuse cut-out	1		
5	GF1300	fuse cartridge 10 amp	1		
6	HZ0135	Cut-out mounting bracket	1		

SL8_3E Single outreach steel standard 6.5m_28W LED (equiv 70W MH & HPS)					
ITEM NUMBER	STOCK CODE	DESCRIPTION	QTY REQD	UNIT OF MEASURE	REMARKS
1	CW0255	6.5m SL steel pole, metal galvanised	1		
2	HL6607	LED Luminaire with 8m cable	1		
3	HL5557	NEMA base PE Cell	1		
4	HZ0131	SL fuse cut-out	1		
5	GF1300	fuse cartridge 10 amp	1		
6	HZ0135	Cut-out mounting bracket	1		



NOTE:-
1. REFER TO R26 AND R27 FOR STREET LIGHT WIRING / SYSTEM DESIGN.

(FOR LED LUMINAIRES)

				COMPATIBLE UNIT			DISTRIBUTION DESIGN CATALOGUE		westernpower	
				TITLE			DRAWN: JRR		DATE: 17-04-2014	
				SINGLE OUTREACH STEEL STANDARD - 10.5M			SCALE: NTS		DRG. No.	
							CHECKED: REE		SL09-1	
							APPROVED: GRANT STACY		REV. 1	
REV	DATE	DESCRIPTION	ORGD	CHKD	APRD					
I	24.06.20	ITEM 7 (HZ0135) ADDED		CO	REE	GS				
H	17.08.18	NOTE REVISED AND LED LUMINAIRE ADDED		REE	JC	FK				
G	01.12.09	ORIGINAL ISSUE								



CU	CU Description
----	----------------

Colour Temperature 4000

SL9_4L Single outreach steel standard 10.5m_80W LED (equiv 150W HPS & MH)					
ITEM NUMBER	STOCK CODE	DESCRIPTION	QTY REQD	UNIT OF MEASURE	REMARKS
1	CW0275	10.5m SL steel pole, metal galvanised	1		
2	CW0278	single outreach arm	1		
3	HL6309	LED Luminaire with 15m cable	1		
4	HL5557	NEMA base PE Cell	1		
5	GF1300	fuse cartridge 10 amp	1		
6	HZ0131	SL fuse cut-out	1		
7	HZ0135	Cut-out mounting bracket	1		

SL9_5L Single outreach steel standard 10.5m_135W LED (equiv 250W MH)					
ITEM NUMBER	STOCK CODE	DESCRIPTION	QTY REQD	UNIT OF MEASURE	REMARKS
1	CW0275	10.5m SL steel pole, metal galvanised	1		
2	CW0278	single outreach arm	1		
3	HL6612	LED Luminaire with 15m cable	1		
4	HL5557	NEMA base PE Cell	1		
5	GF1300	fuse cartridge 10 amp	1		
6	HZ0131	SL fuse cut-out	1		
7	HZ0135	Cut-out mounting bracket	1		

SL9_6L Single outreach steel standard 10.5m_170W LED (equiv 250W HPS)					
ITEM NUMBER	STOCK CODE	DESCRIPTION	QTY REQD	UNIT OF MEASURE	REMARKS
1	CW0275	10.5m SL steel pole, metal galvanised	1		
2	CW0278	single outreach arm	1		
3	HL6315	LED Luminaire with 15m cable	1		
4	HL5557	NEMA base PE Cell	1		
5	GF1300	fuse cartridge 10 amp	1		
6	HZ0131	SL fuse cut-out	1		
7	HZ0135	Cut-out mounting bracket	1		

CU	CU Description
----	----------------

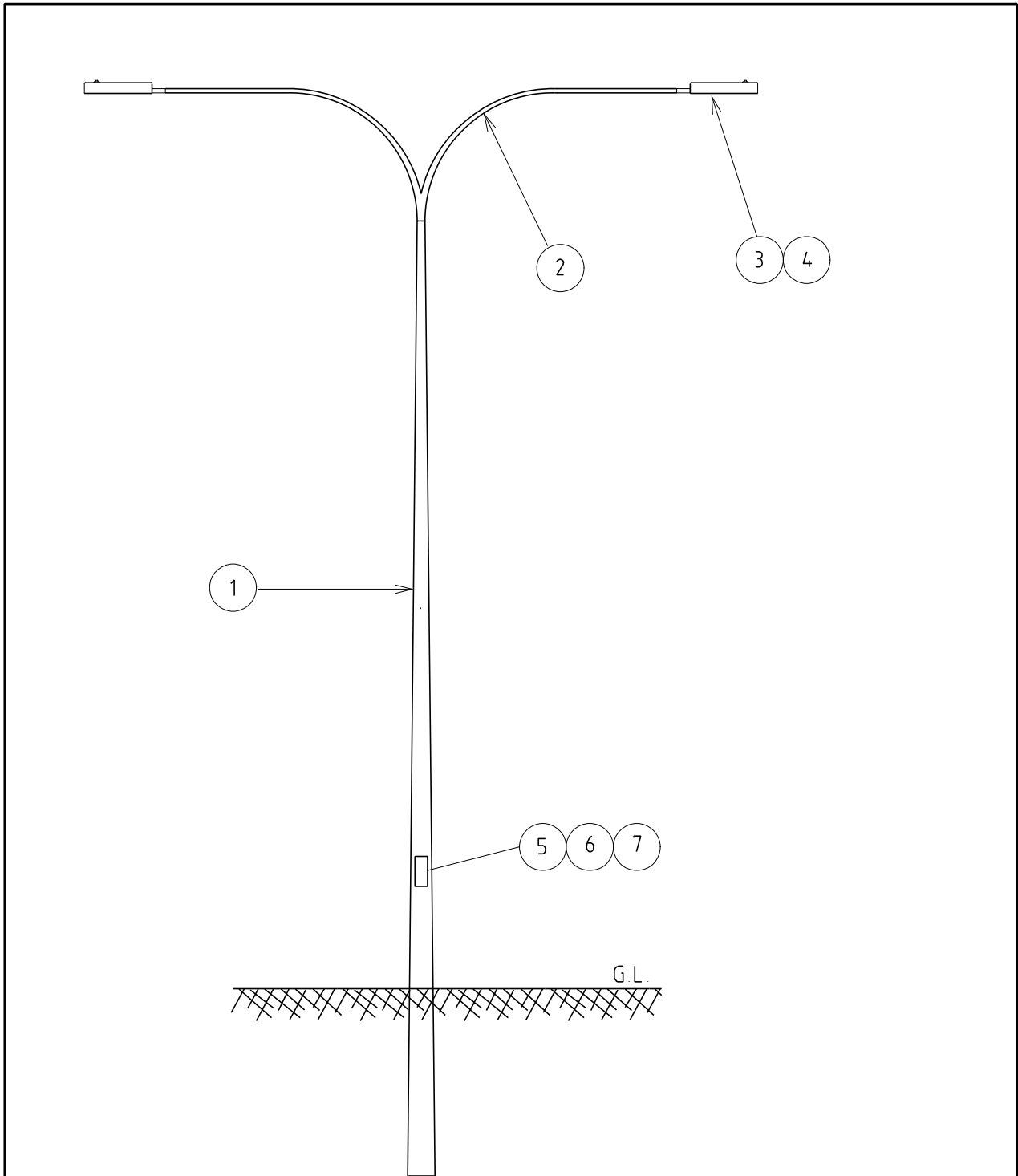
Colour Temperature 3000

SL9_2E Single outreach steel standard 10.5m_53W LED (equiv 125W MV)					
ITEM NUMBER	STOCK CODE	DESCRIPTION	QTY REQD	UNIT OF MEASURE	REMARKS
1	CW0275	10.5m SL steel pole, metal galvanised	1		
2	CW0278	single outreach arm	1		
3	HL6305	LED Luminaire with 15m cable	1		
4	HL5557	NEMA base PE Cell	1		
5	GF1300	fuse cartridge 10 amp	1		
6	HZ0131	SL fuse cut-out	1		
7	HZ0135	Cut-out mounting bracket	1		

SL9_4E Single outreach steel standard 10.5m_80W LED (equiv 150W HPS & MH)					
ITEM NUMBER	STOCK CODE	DESCRIPTION	QTY REQD	UNIT OF MEASURE	REMARKS
1	CW0275	10.5m SL steel pole, metal galvanised	1		
2	CW0278	single outreach arm	1		
3	HL6310	LED Luminaire with 15m cable	1		
4	HL5557	NEMA base PE Cell	1		
5	GF1300	fuse cartridge 10 amp	1		
6	HZ0131	SL fuse cut-out	1		
7	HZ0135	Cut-out mounting bracket	1		

SL9_5E Single outreach steel standard 10.5m_160W LED (equiv 250W MH)					
ITEM NUMBER	STOCK CODE	DESCRIPTION	QTY REQD	UNIT OF MEASURE	REMARKS
1	CW0275	10.5m SL steel pole, metal galvanised	1		
2	CW0278	single outreach arm	1		
3	HL6313	LED Luminaire with 15m cable	1		
4	HL5557	NEMA base PE Cell	1		
5	GF1300	fuse cartridge 10 amp	1		
6	HZ0131	SL fuse cut-out	1		
7	HZ0135	Cut-out mounting bracket	1		

SL9_6E Single outreach steel standard 10.5m_170W LED (equiv 250W HPS)					
ITEM NUMBER	STOCK CODE	DESCRIPTION	QTY REQD	UNIT OF MEASURE	REMARKS
1	CW0275	10.5m SL steel pole, metal galvanised	1		
2	CW0278	single outreach arm	1		
3	HL6316	LED Luminaire with 15m cable	1		
4	HL5557	NEMA base PE Cell	1		
5	GF1300	fuse cartridge 10 amp	1		
6	HZ0131	SL fuse cut-out	1		
7	HZ0135	Cut-out mounting bracket	1		



NOTE:-

1. REFER TO R26 AND R27 FOR STREET LIGHT WIRING / SYSTEM DESIGN.

(FOR LED LUMINAIRES)

				COMPATIBLE UNIT			DISTRIBUTION DESIGN CATALOGUE			
				TITLE			DRAWN: JRR DATE: 17-04-2014		DRG. No.	
				DOUBLE OUTREACH STEEL STANDARD - 10.5M			ORIGINATED: SCALE: NTS		SL10-1	
							CHECKED: REE		APPROVED: GRANT STACY	
							REV. I		SHT.	
REV	DATE	DESCRIPTION	ORGO	CHKD	APRD					
I	24.06.20	ITEM 7 (HZ0135) ADDED								
H	17.08.18	NOTE REVISED AND LED ADDED	CO	REE	GS					
G	17.03.06	ORIGINAL ISSUE	REE	JC	FK					

CU	CU Description
----	----------------

Colour Temperature 4000

SL10_4L Double outreach steel standard 10.5m 80W LED (equiv 150W HPS & MH)					
ITEM NUMBER	STOCK CODE	DESCRIPTION	QTY REQD	UNIT OF MEASURE	REMARKS
1	CW0275	Pole 10.5m	1		
2	CW0279	double outreach arm	1		
3	HL6309	LED Luminaire with 15m cable	2		
4	HL5557	NEMA base PE Cell	2		
5	GF1300	fuse cartridge 10 amp	2		
6	HZ0131	SL fuse cut-out	1		
7	HZ0135	Cut-out mounting bracket	1		

SL10_5L Double outreach steel standard 10.5m 135W LED (equiv 250W MH)					
ITEM NUMBER	STOCK CODE	DESCRIPTION	QTY REQD	UNIT OF MEASURE	REMARKS
1	CW0275	Pole 10.5m	1		
2	CW0279	double outreach arm	1		
3	HL6612	LED Luminaire with 15m cable	2		
4	HL5557	NEMA base PE Cell	2		
5	GF1300	fuse cartridge 10 amp	2		
6	HZ0131	SL fuse cut-out	1		
7	HZ0135	Cut-out mounting bracket	1		

SL10_6L Double outreach steel standard 10.5m 170W LED (equiv 250W HPS)					
ITEM NUMBER	STOCK CODE	DESCRIPTION	QTY REQD	UNIT OF MEASURE	REMARKS
1	CW0275	Pole 10.5m	1		
2	CW0279	double outreach arm	1		
3	HL6315	LED Luminaire with 15m cable	2		
4	HL5557	NEMA base PE Cell	2		
5	GF1300	fuse cartridge 10 amp	2		
6	HZ0131	SL fuse cut-out	1		
7	HZ0135	Cut-out mounting bracket	1		

CU	CU Description
----	----------------

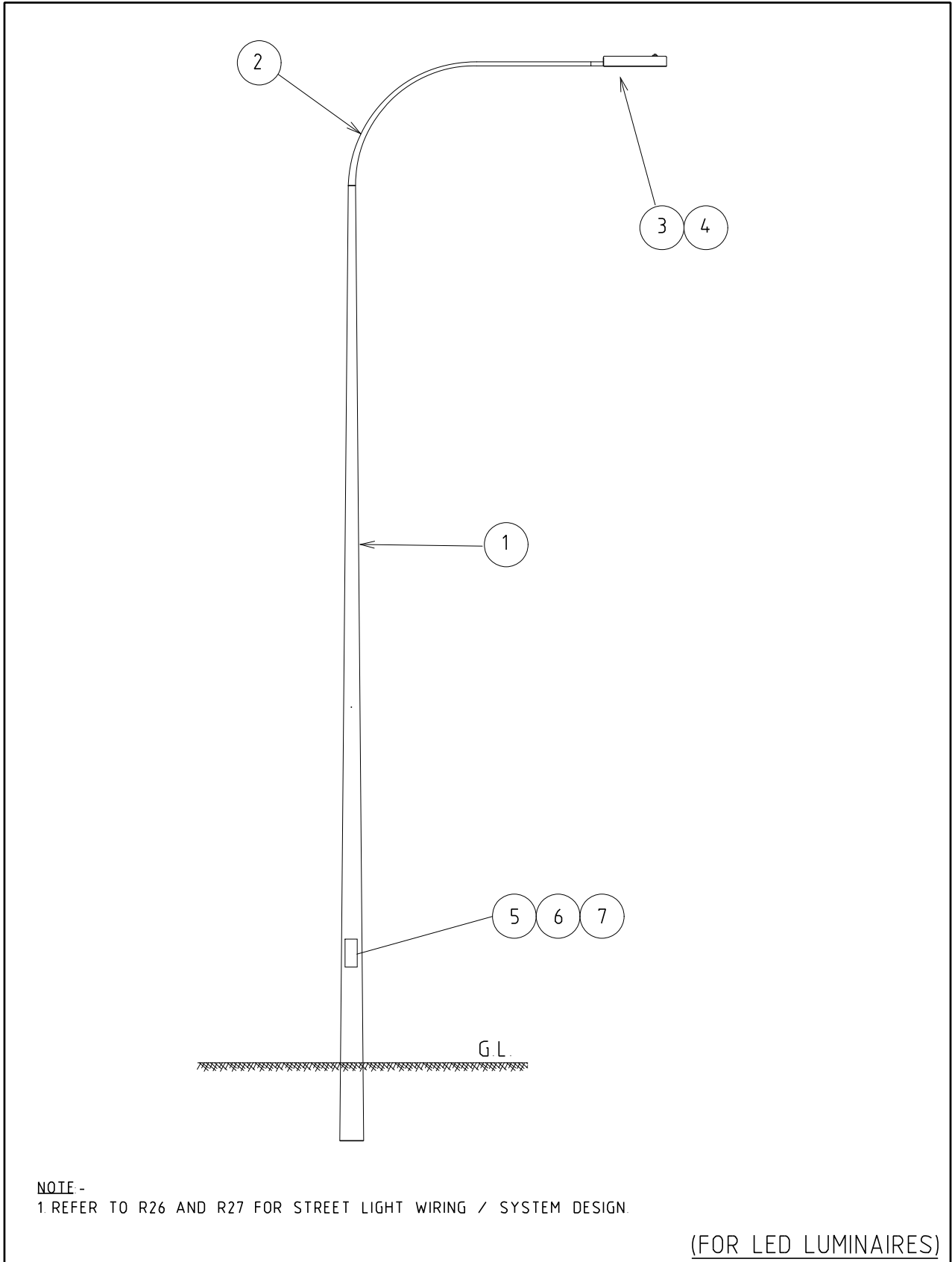
Colour Temperature 3000

SL10_2E Double outreach steel standard 10.5m 53W LED (equiv 125W MV)					
ITEM NUMBER	STOCK CODE	DESCRIPTION	QTY REQD	UNIT OF MEASURE	REMARKS
1	CW0275	Pole 10.5m	1		
2	CW0279	double outreach arm	1		
3	HL6305	LED Luminaire with 15m cable	2		
4	HL5557	NEMA base PE Cell	2		
5	GF1300	fuse cartridge 10 amp	2		
6	HZ0131	SL fuse cut-out	1		
7	HZ0135	Cut-out mounting bracket	1		

SL10_4E Double outreach steel standard 10.5m 80W LED (equiv 150W HPS & MH)					
ITEM NUMBER	STOCK CODE	DESCRIPTION	QTY REQD	UNIT OF MEASURE	REMARKS
1	CW0275	Pole 10.5m	1		
2	CW0279	double outreach arm	1		
3	HL6310	LED Luminaire with 15m cable	2		
4	HL5557	NEMA base PE Cell	2		
5	GF1300	fuse cartridge 10 amp	2		
6	HZ0131	SL fuse cut-out	1		
7	HZ0135	Cut-out mounting bracket	1		

SL10_5E Double outreach steel standard 10.5m 160W LED (equiv 250W MH)					
ITEM NUMBER	STOCK CODE	DESCRIPTION	QTY REQD	UNIT OF MEASURE	REMARKS
1	CW0275	Pole 10.5m	1		
2	CW0279	double outreach arm	1		
3	HL6313	LED Luminaire with 15m cable	2		
4	HL5557	NEMA base PE Cell	2		
5	GF1300	fuse cartridge 10 amp	2		
6	HZ0131	SL fuse cut-out	1		
7	HZ0135	Cut-out mounting bracket	1		

SL10_6E Double outreach steel standard 10.5m 170W LED (equiv 250W HPS)					
ITEM NUMBER	STOCK CODE	DESCRIPTION	QTY REQD	UNIT OF MEASURE	REMARKS
1	CW0275	Pole 10.5m	1		
2	CW0279	double outreach arm	1		
3	HL6316	LED Luminaire with 15m cable	2		
4	HL5557	NEMA base PE Cell	2		
5	GF1300	fuse cartridge 10 amp	2		
6	HZ0131	SL fuse cut-out	1		
7	HZ0135	Cut-out mounting bracket	1		



				COMPATIBLE UNIT			DISTRIBUTION DESIGN CATALOGUE			
				TITLE			DRAWN: JRR DATE: 17-04-2016		DRG. No.	
				SINGLE OUTREACH STEEL STANDARD - 12.5M			ORIGINATED: SCALE: NTS		SL11-1	
							CHECKED: REE		APPROVED: GRANT STACY	
							APPROVED: GRANT STACY		REV. SHT.	
REV	DATE	DESCRIPTION	ORGO	CHKD	APRD					
I	24.06.20	ITEM 7 (H20135) ADDED	CO	REE	GS					
H	17.08.18	NOTE REVISED AND LED ADDED	REE	JC	FK					
G	01.12.09	ORIGINAL ISSUE								



CU	CU Description
----	----------------

Colour Temperature 4000

SL11_4L Single Outreach steel standard 12.5m 80W LED (equiv 150W HPS & MH)					
ITEM NUMBER	STOCK CODE	DESCRIPTION	QTY REQD	UNIT OF MEASURE	REMARKS
1	CW0276	POLE 12.5M	1		
2	CW0278	single outreach arm	1		
3	HL6309	LED Luminaire with 15m cable	1		
4	HL5557	NEMA base PE Cell	1		
5	GF1300	fuse cartridge 10 amp	1		
6	HZ0131	SL fuse cut-out	1		
7	HZ0135	Cut-out mounting bracket	1		

SL11_5L Single outreach steel standard 12.5m 135W LED (equiv 250W MH)					
ITEM NUMBER	STOCK CODE	DESCRIPTION	QTY REQD	UNIT OF MEASURE	REMARKS
1	CW0276	POLE 12.5M	1		
2	CW0278	single outreach arm	1		
3	HL6612	LED Luminaire with 15m cable	1		
4	HL5557	NEMA base PE Cell	1		
5	GF1300	fuse cartridge 10 amp	1		
6	HZ0131	SL fuse cut-out	1		
7	HZ0135	Cut-out mounting bracket	1		

SL11_6L Single outreach steel standard 12.5m 170W LED (equiv 250W HPS)					
ITEM NUMBER	STOCK CODE	DESCRIPTION	QTY REQD	UNIT OF MEASURE	REMARKS
1	CW0276	POLE 12.5M	1		
2	CW0278	single outreach arm	1		
3	HL6315	LED Luminaire with 15m cable	1		
4	HL5557	NEMA base PE Cell	1		
5	GF1300	fuse cartridge 10 amp	1		
6	HZ0131	SL fuse cut-out	1		
7	HZ0135	Cut-out mounting bracket	1		

CU	CU Description
----	----------------

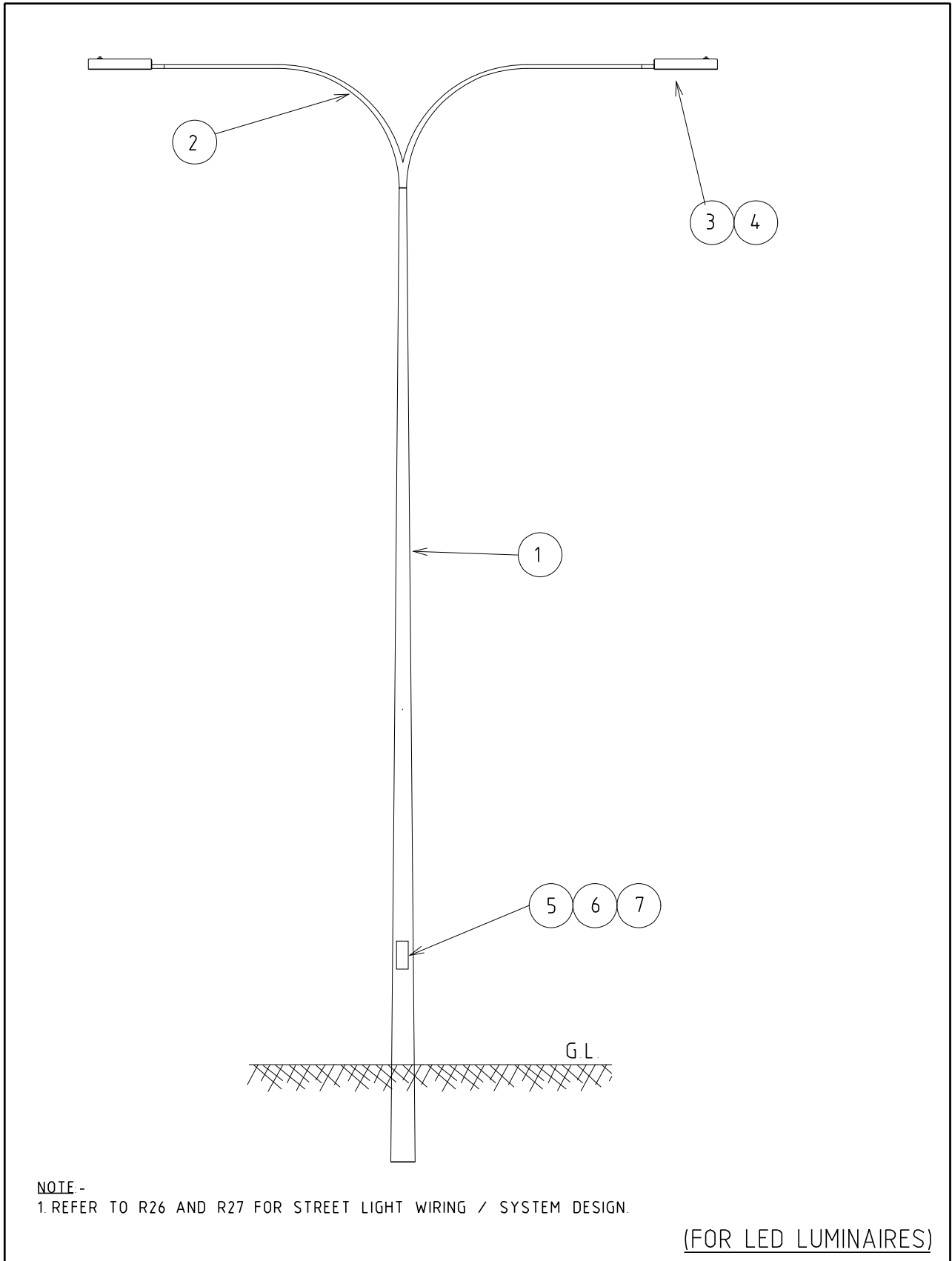
Colour Temperature 3000

SL11_2E Single Outreach steel standard 12.5m 53W LED (equiv 125W MV)					
ITEM NUMBER	STOCK CODE	DESCRIPTION	QTY REQD	UNIT OF MEASURE	REMARKS
1	CW0276	POLE 12.5M	1		
2	CW0278	single outreach arm	1		
3	HL6305	LED Luminaire with 15m cable	1		
4	HL5557	NEMA base PE Cell	1		
5	GF1300	fuse cartridge 10 amp	1		
6	HZ0131	SL fuse cut-out	1		
7	HZ0135	Cut-out mounting bracket	1		

SL11_4E Single Outreach steel standard 12.5m 80W LED (equiv 150W HPS & MH)					
ITEM NUMBER	STOCK CODE	DESCRIPTION	QTY REQD	UNIT OF MEASURE	REMARKS
1	CW0276	POLE 12.5M	1		
2	CW0278	single outreach arm	1		
3	HL6310	LED Luminaire with 15m cable	1		
4	HL5557	NEMA base PE Cell	1		
5	GF1300	fuse cartridge 10 amp	1		
6	HZ0131	SL fuse cut-out	1		
7	HZ0135	Cut-out mounting bracket	1		

SL11_5E Single outreach steel standard 12.5m 160W LED (equiv 250W MH)					
ITEM NUMBER	STOCK CODE	DESCRIPTION	QTY REQD	UNIT OF MEASURE	REMARKS
1	CW0276	POLE 12.5M	1		
2	CW0278	single outreach arm	1		
3	HL6313	LED Luminaire with 15m cable	1		
4	HL5557	NEMA base PE Cell	1		
5	GF1300	fuse cartridge 10 amp	1		
6	HZ0131	SL fuse cut-out	1		
7	HZ0135	Cut-out mounting bracket	1		

SL11_6E Single outreach steel standard 12.5m 170W LED (equiv 250W HPS)					
ITEM NUMBER	STOCK CODE	DESCRIPTION	QTY REQD	UNIT OF MEASURE	REMARKS
1	CW0276	POLE 12.5M	1		
2	CW0278	single outreach arm	1		
3	HL6316	LED Luminaire with 15m cable	1		
4	HL5557	NEMA base PE Cell	1		
5	GF1300	fuse cartridge 10 amp	1		
6	HZ0131	SL fuse cut-out	1		
7	HZ0135	Cut-out mounting bracket	1		



				COMPATIBLE UNIT			DISTRIBUTION DESIGN CATALOGUE			
				TITLE			DRAWN: JRR		DATE: 17-04-2014	
				DOUBLE OUTREACH			ORIGINATED:		SCALE: NTS	
				STEEL STANDARD - 12.5M			CHECKED: REE		ORG. No. SL12-1	
							APPROVED: GRANT STACY		REV. I	
REV	DATE	DESCRIPTION	ORGD	CHKD	APRD			SHT.		
I	24.06.20	ITEM 7 (HZ0195) ADDED	CO	REE	GS					
H	17.08.18	NOTE REVISED AND LED ADDED	REE	JC	FK					
G	01.12.09	ORIGINAL ISSUE								

CU	CU Description
----	----------------

Colour Temperature 4000

SL12_4L Double outreach steel standard 12.5m 80W LED (equiv 150W HPS & MH)					
ITEM NUMBER	STOCK CODE	DESCRIPTION	QTY REQD	UNIT OF MEASURE	REMARKS
1	CW0276	POLE 12.5M	1		
2	CW0279	double outreach arm	1		
3	HL6309	LED Luminaire with 15m cable	2		
4	HL5557	NEMA base PE Cell	2		
5	GF1300	fuse cartridge 10 amp	2		
6	HZ0131	SL fuse cut-out	1		
7	HZ0135	Cut-out mounting bracket	1		

SL12_5L Double outreach steel standard 12.5m 135W LED (equiv 250W MH)					
ITEM NUMBER	STOCK CODE	DESCRIPTION	QTY REQD	UNIT OF MEASURE	REMARKS
1	CW0276	POLE 12.5M	1		
2	CW0279	double outreach arm	1		
3	HL6612	LED Luminaire with 15m cable	2		
4	HL5557	NEMA base PE Cell	2		
5	GF1300	fuse cartridge 10 amp	2		
6	HZ0131	SL fuse cut-out	1		
7	HZ0135	Cut-out mounting bracket	1		

SL12_6L Double outreach steel standard 12.5m 170W LED (equiv 250W HPS)					
ITEM NUMBER	STOCK CODE	DESCRIPTION	QTY REQD	UNIT OF MEASURE	REMARKS
1	CW0276	POLE 12.5M	1		
2	CW0279	double outreach arm	1		
3	HL6315	LED Luminaire with 15m cable	2		
4	HL5557	NEMA base PE Cell	2		
5	GF1300	fuse cartridge 10 amp	2		
6	HZ0131	SL fuse cut-out	1		
7	HZ0135	Cut-out mounting bracket	1		

CU	CU Description
----	----------------

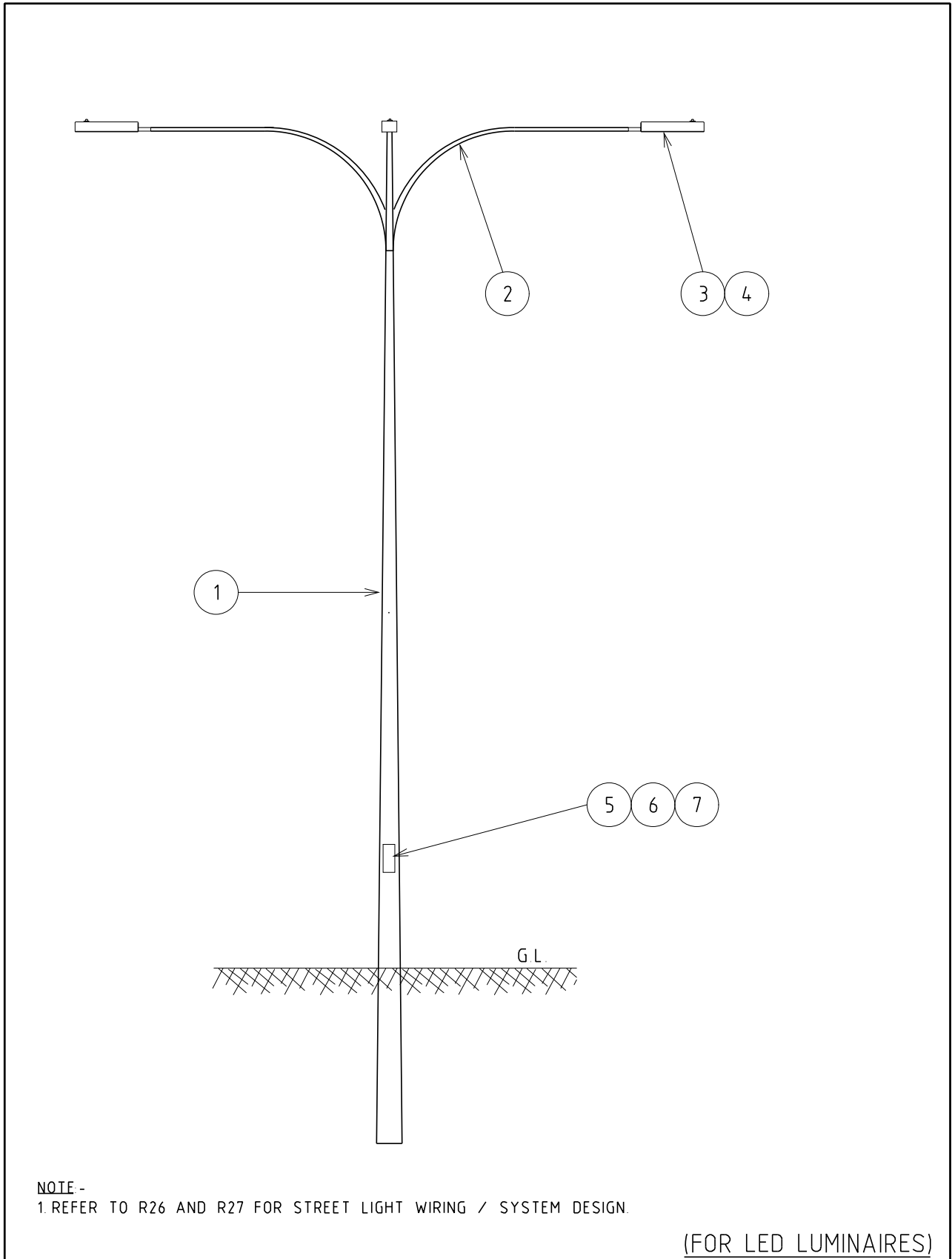
Colour Temperature 3000

SL12_2E Double outreach steel standard 12.5m 53W LED (equiv 125W MV)					
ITEM NUMBER	STOCK CODE	DESCRIPTION	QTY REQD	UNIT OF MEASURE	REMARKS
1	CW0276	POLE 12.5M	1		
2	CW0279	double outreach arm	1		
3	HL6305	LED Luminaire with 15m cable	2		
4	HL5557	NEMA base PE Cell	2		
5	GF1300	fuse cartridge 10 amp	2		
6	HZ0131	SL fuse cut-out	1		
7	HZ0135	Cut-out mounting bracket	1		

SL12_4E Double outreach steel standard 12.5m 80W LED (equiv 150W HPS & MH)					
ITEM NUMBER	STOCK CODE	DESCRIPTION	QTY REQD	UNIT OF MEASURE	REMARKS
1	CW0276	POLE 12.5M	1		
2	CW0279	double outreach arm	1		
3	HL6310	LED Luminaire with 15m cable	2		
4	HL5557	NEMA base PE Cell	2		
5	GF1300	fuse cartridge 10 amp	2		
6	HZ0131	SL fuse cut-out	1		
7	HZ0135	Cut-out mounting bracket	1		

SL12_5E Double outreach steel standard 12.5m 160W LED (equiv 250W MH)					
ITEM NUMBER	STOCK CODE	DESCRIPTION	QTY REQD	UNIT OF MEASURE	REMARKS
1	CW0276	POLE 12.5M	1		
2	CW0279	double outreach arm	1		
3	HL6313	LED Luminaire with 15m cable	2		
4	HL5557	NEMA base PE Cell	2		
5	GF1300	fuse cartridge 10 amp	2		
6	HZ0131	SL fuse cut-out	1		
7	HZ0135	Cut-out mounting bracket	1		

SL12_6E Double outreach steel standard 12.5m 170W LED (equiv 250W HPS)					
ITEM NUMBER	STOCK CODE	DESCRIPTION	QTY REQD	UNIT OF MEASURE	REMARKS
1	CW0276	POLE 12.5M	1		
2	CW0279	double outreach arm	1		
3	HL6316	LED Luminaire with 15m cable	2		
4	HL5557	NEMA base PE Cell	2		
5	GF1300	fuse cartridge 10 amp	2		
6	HZ0131	SL fuse cut-out	1		
7	HZ0135	Cut-out mounting bracket	1		



NOTE -
1. REFER TO R26 AND R27 FOR STREET LIGHT WIRING / SYSTEM DESIGN.

(FOR LED LUMINAIRES)

				COMPATIBLE UNIT			DISTRIBUTION DESIGN CATALOGUE		westernpower	
				TITLE			DRAWN: JRR		DATE: 22-04-2014	
				4 WAY OUTREACH			ORIGINATED:		SCALE: NTS	
				STEEL STANDARD - 10.5m			CHECKED: REE		SL16-1	
							APPROVED:		GRANT STACY	
REV	DATE	DESCRIPTION	ORGD	CHKD	APRD			REV	SHT.	
E	24.06.20	ITEM 7 (HZ0195) ADDED		CO	REE	GS				
D	17.08.10	NOTE REVISED AND LED ADDED		REE	JC	FK				
C	01.12.09	ORIGINAL ISSUE								

CU	CU Description
----	----------------

Colour Temperature 4000

SL16_4L 4 Way outreach steel standard 10.5m_80W LED (equiv 150W HPS & MH)					
ITEM NUMBER	STOCK CODE	DESCRIPTION	QTY REQD	UNIT OF MEASURE	REMARKS
1	CW0275	POLE 10.5M	1		
2	CW1317	4 Way outreach arm - galv	1		
3	HL6309	LED Luminaire with 15m cable	4		
4	HL5557	NEMA base PE Cell	4		
5	GF1300	fuse cartridge 10 amp	2		
6	HZ0131	SL fuse cut-out	1		
7	HZ0135	Cut-out mounting bracket	1		

SL16_5L 4 Way outreach steel standard 10.5m_135W LED (equiv 250W MH)					
ITEM NUMBER	STOCK CODE	DESCRIPTION	QTY REQD	UNIT OF MEASURE	REMARKS
1	CW0275	POLE 10.5M	1		
2	CW1317	4 Way outreach arm - galv	1		
3	HL6612	LED Luminaire with 15m cable	4		
4	HL5557	NEMA base PE Cell	4		
5	GF1300	fuse cartridge 10 amp	2		
6	HZ0131	SL fuse cut-out	1		
7	HZ0135	Cut-out mounting bracket	1		

SL16_6L 4 Way outreach steel standard 10.5m_170W LED (equiv 250W HPS)					
ITEM NUMBER	STOCK CODE	DESCRIPTION	QTY REQD	UNIT OF MEASURE	REMARKS
1	CW0275	POLE 10.5M	1		
2	CW1317	4 Way outreach arm - galv	1		
3	HL6315	LED Luminaire with 15m cable	4		
4	HL5557	NEMA base PE Cell	4		
5	GF1300	fuse cartridge 10 amp	2		
6	HZ0131	SL fuse cut-out	1		
7	HZ0135	Cut-out mounting bracket	1		

CU	CU Description
----	----------------

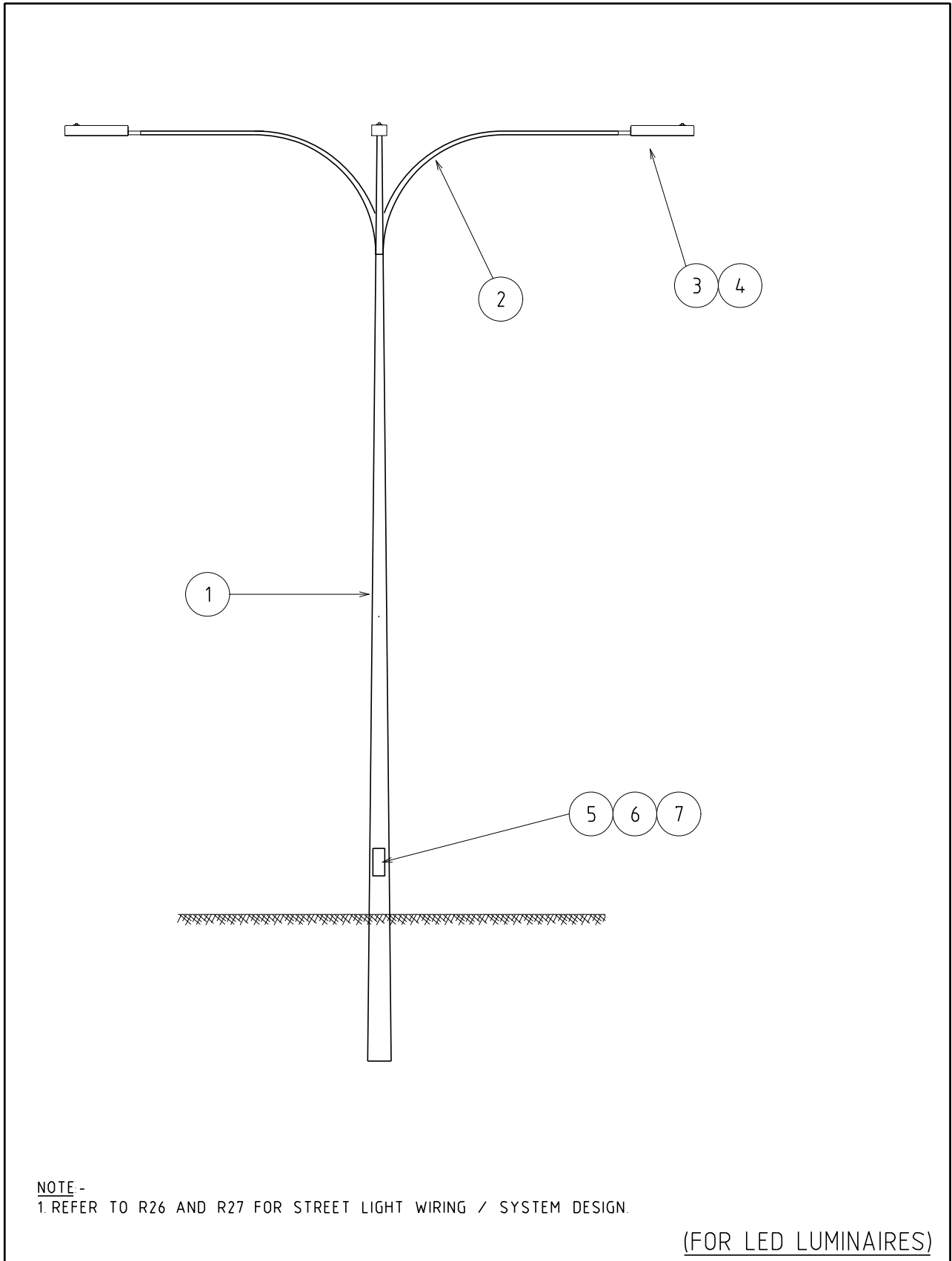
Colour Temperature 3000

SL16_2E 4 Way outreach steel standard 10.5m_53W LED (equiv 125W MV)					
ITEM NUMBER	STOCK CODE	DESCRIPTION	QTY REQD	UNIT OF MEASURE	REMARKS
1	CW0275	POLE 10.5M	1		
2	CW1317	4 Way outreach arm - galv	1		
3	HL6305	LED Luminaire with 15m cable	4		
4	HL5557	NEMA base PE Cell	4		
5	GF1300	fuse cartridge 10 amp	2		
6	HZ0131	SL fuse cut-out	1		
7	HZ0135	Cut-out mounting bracket	1		

SL16_4E 4 Way outreach steel standard 10.5m_80W LED (equiv 150W HPS & MH)					
ITEM NUMBER	STOCK CODE	DESCRIPTION	QTY REQD	UNIT OF MEASURE	REMARKS
1	CW0275	POLE 10.5M	1		
2	CW1317	4 Way outreach arm - galv	1		
3	HL6310	LED Luminaire with 15m cable	4		
4	HL5557	NEMA base PE Cell	4		
5	GF1300	fuse cartridge 10 amp	2		
6	HZ0131	SL fuse cut-out	1		
7	HZ0135	Cut-out mounting bracket	1		

SL16_5E 4 Way outreach steel standard 10.5m_160W LED (equiv 250W MH)					
ITEM NUMBER	STOCK CODE	DESCRIPTION	QTY REQD	UNIT OF MEASURE	REMARKS
1	CW0275	POLE 10.5M	1		
2	CW1317	4 Way outreach arm - galv	1		
3	HL6313	LED Luminaire with 15m cable	4		
4	HL5557	NEMA base PE Cell	4		
5	GF1300	fuse cartridge 10 amp	2		
6	HZ0131	SL fuse cut-out	1		
7	HZ0135	Cut-out mounting bracket	1		

SL16_6E 4 Way outreach steel standard 10.5m_170W LED (equiv 250W HPS)					
ITEM NUMBER	STOCK CODE	DESCRIPTION	QTY REQD	UNIT OF MEASURE	REMARKS
1	CW0275	POLE 10.5M	1		
2	CW1317	4 Way outreach arm - galv	1		
3	HL6316	LED Luminaire with 15m cable	4		
4	HL5557	NEMA base PE Cell	4		
5	GF1300	fuse cartridge 10 amp	2		
6	HZ0131	SL fuse cut-out	1		
7	HZ0135	Cut-out mounting bracket	1		



NOTE -
1. REFER TO R26 AND R27 FOR STREET LIGHT WIRING / SYSTEM DESIGN.

(FOR LED LUMINAIRES)

				COMPATIBLE UNIT			DISTRIBUTION DESIGN CATALOGUE		westernpower	
				TITLE			DRAWN: JRR		DATE: 22-04-2014	
				4 WAY OUTREACH			ORIGINATED:		SCALE: NTS	
				STEEL STANDARD - 12.5M			CHECKED: REE		SL17-1	
							APPROVED:		GRANT STACY	
REV	DATE	DESCRIPTION	ORGD	CHKD	APRD			REV	SHT.	
E	24.06.20	ITEM 7 (HZ0195) ADDED		CO	REE	GS				
D	17.08.18	NOTE REVISED AND LED ADDED		REE	JC	FK				
C	01.12.09	ORIGINAL ISSUE								

CU	CU Description
----	----------------

Colour Temperature 4000

SL17_4L 4 Way outreach steel standard 12.5m_80W LED (equiv 150W HPS & MH)					
ITEM NUMBER	STOCK CODE	DESCRIPTION	QTY REQD	UNIT OF MEASURE	REMARKS
1	CW0276	POLE 12.5M	1		
2	CW1317	4 Way outreach arm - galv	1		
3	HL6309	LED Luminaire with 15m cable	4		
4	HL5557	NEMA base PE Cell	4		
5	GF1300	fuse cartridge 10 amp	2		
6	HZ0131	SL fuse cut-out	1		
7	HZ0135	Cut-out mounting bracket	1		

SL17_5L 4 Way outreach steel standard 12.5m_160W LED (equiv 250W MH)					
ITEM NUMBER	STOCK CODE	DESCRIPTION	QTY REQD	UNIT OF MEASURE	REMARKS
1	CW0276	POLE 12.5M	1		
2	CW1317	4 Way outreach arm - galv	1		
3	HL6312	LED Luminaire with 15m cable	4		
4	HL5557	NEMA base PE Cell	4		
5	GF1300	fuse cartridge 10 amp	2		
6	HZ0131	SL fuse cut-out	1		
7	HZ0135	Cut-out mounting bracket	1		

SL17_6L 4 Way outreach steel standard 12.5m_170W LED (equiv 250W HPS)					
ITEM NUMBER	STOCK CODE	DESCRIPTION	QTY REQD	UNIT OF MEASURE	REMARKS
1	CW0276	POLE 12.5M	1		
2	CW1317	4 Way outreach arm - galv	1		
3	HL6315	LED Luminaire with 15m cable	4		
4	HL5557	NEMA base PE Cell	4		
5	GF1300	fuse cartridge 10 amp	2		
6	HZ0131	SL fuse cut-out	1		
7	HZ0135	Cut-out mounting bracket	1		

CU	CU Description
----	----------------

Colour Temperature 3000

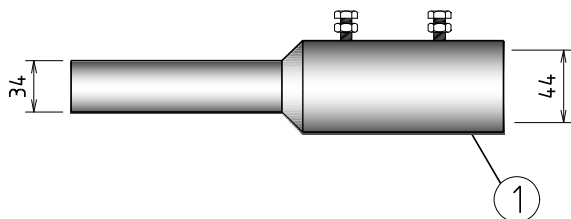
SL17_2E 4 Way outreach steel standard 12.5m_53W LED (equiv 125W MV)					
ITEM NUMBER	STOCK CODE	DESCRIPTION	QTY REQD	UNIT OF MEASURE	REMARKS
1	CW0276	POLE 12.5M	1		
2	CW1317	4 Way outreach arm - galv	1		
3	HL6305	LED Luminaire with 15m cable	4		
4	HL5557	NEMA base PE Cell	4		
5	GF1300	fuse cartridge 10 amp	2		
6	HZ0131	SL fuse cut-out	1		
7	HZ0135	Cut-out mounting bracket	1		

SL17_4E 4 Way outreach steel standard 12.5m_80W LED (equiv 150W HPS & MH)					
ITEM NUMBER	STOCK CODE	DESCRIPTION	QTY REQD	UNIT OF MEASURE	REMARKS
1	CW0276	POLE 12.5M	1		
2	CW1317	4 Way outreach arm - galv	1		
3	HL6310	LED Luminaire with 15m cable	4		
4	HL5557	NEMA base PE Cell	4		
5	GF1300	fuse cartridge 10 amp	2		
6	HZ0131	SL fuse cut-out	1		
7	HZ0135	Cut-out mounting bracket	1		

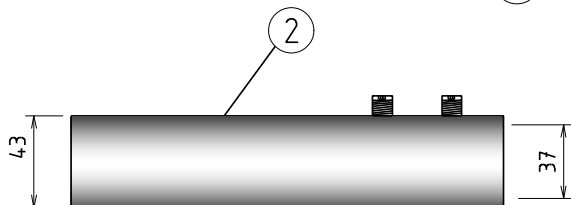
SL17_5E 4 Way outreach steel standard 12.5m_160W LED (equiv 250W MH)					
ITEM NUMBER	STOCK CODE	DESCRIPTION	QTY REQD	UNIT OF MEASURE	REMARKS
1	CW0276	POLE 12.5M	1		
2	CW1317	4 Way outreach arm - galv	1		
3	HL6313	LED Luminaire with 15m cable	4		
4	HL5557	NEMA base PE Cell	4		
5	GF1300	fuse cartridge 10 amp	2		
6	HZ0131	SL fuse cut-out	1		
7	HZ0135	Cut-out mounting bracket	1		

SL17_6E 4 Way outreach steel standard 12.5m_170W LED (equiv 250W HPS)					
ITEM NUMBER	STOCK CODE	DESCRIPTION	QTY REQD	UNIT OF MEASURE	REMARKS
1	CW0276	POLE 12.5M	1		
2	CW1317	4 Way outreach arm - galv	1		
3	HL6316	LED Luminaire with 15m cable	4		
4	HL5557	NEMA base PE Cell	4		
5	GF1300	fuse cartridge 10 amp	2		
6	HZ0131	SL fuse cut-out	1		
7	HZ0135	Cut-out mounting bracket	1		

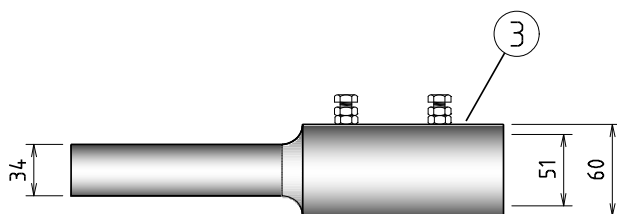
LUMINAIRE SIDE BRACKET/COLUMN SIDE



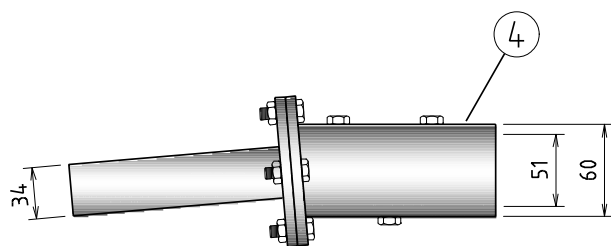
FOR USE ON CU's (OVERHEAD BRACKET)
 SL 3, SL03-1
 SL 5, SL05-1
 SL 6, SL06-1
 SL 24, SL24-1
 TO FIT ROAD GRACE



FOR USE ON CU (6.5m COLUMN)
 SL 8, SL08-1
 TO FIT ROAD FLAIR



FOR USE ON CU's (10.5 & 12.5 COLUMNS)
 SL 9, SL09-1
 SL 10, SL10-1
 SL 11, SL11-1
 SL 12, SL12-1
 SL 16, SL16-1
 SL 17, SL17-1
 TO FIT BOURKE HILL LUMINAIRE



FOR USE WITH 10.5 & 12.5 COLUMNS
 TO REDUCE UPLIFT BY 5° OR 10°
 (LUMINAIRE MUST NOT BE REDUCED
 BELOW HORIZONTAL)
 TO FIT ROAD FLAIR

LUMINAIRE	SOCKET SIZE / RANGE
ROAD GRACE	25 - 40
ROAD FLAIR	42 - 60
BOURKE HILL	37
PARK VILLE	47
KENSINGTON	80

COLUMNS	BOSS SIZE		BRACKET/COLUMNS		
	NB	OD	6.5	10.5	12.5
MINOR ROAD	25	33.7	✓	✗	✗
ARTERIAL ROAD	40	48.3	✗	✓	✓

O/H BRACKET	BOSS SIZE
MINOR ROAD	34
ARTERIAL ROAD	42.8

NOTES:-
 1. ALL DIMENSIONS ARE IN MILLIMETRES.

(FOR LED LUMINAIRES)

COMPATIBLE UNIT				DISTRIBUTION DESIGN CATALOGUE		westernpower	
E	18.12.19	ANGLE ADAPTOR ADDED	REE	NN	FK	TITLE	
D	06.06.19	MORE DETAILS ADDED	REE	NN	FK	LUMINAIRE ADAPTORS	
C	09.01.19	DIMENSIONS & TABLE ADDED	REE	NN	GS	DRAWN: JRR	DATE: 22-04-2014
B	17.08.18	DRAWING REVISED TO SUIT LED LUMINAIRE	REE	JC	FK	ORIGINATED:	SCALE: NTS
A	26.10.10	ORIGINAL ISSUE				CHECKED: REE	DRG. No. SL18-1
REV	DATE	DESCRIPTION	ORGD.	CHKD.	APRD.	APPROVED: GRANT STACY	REV. E

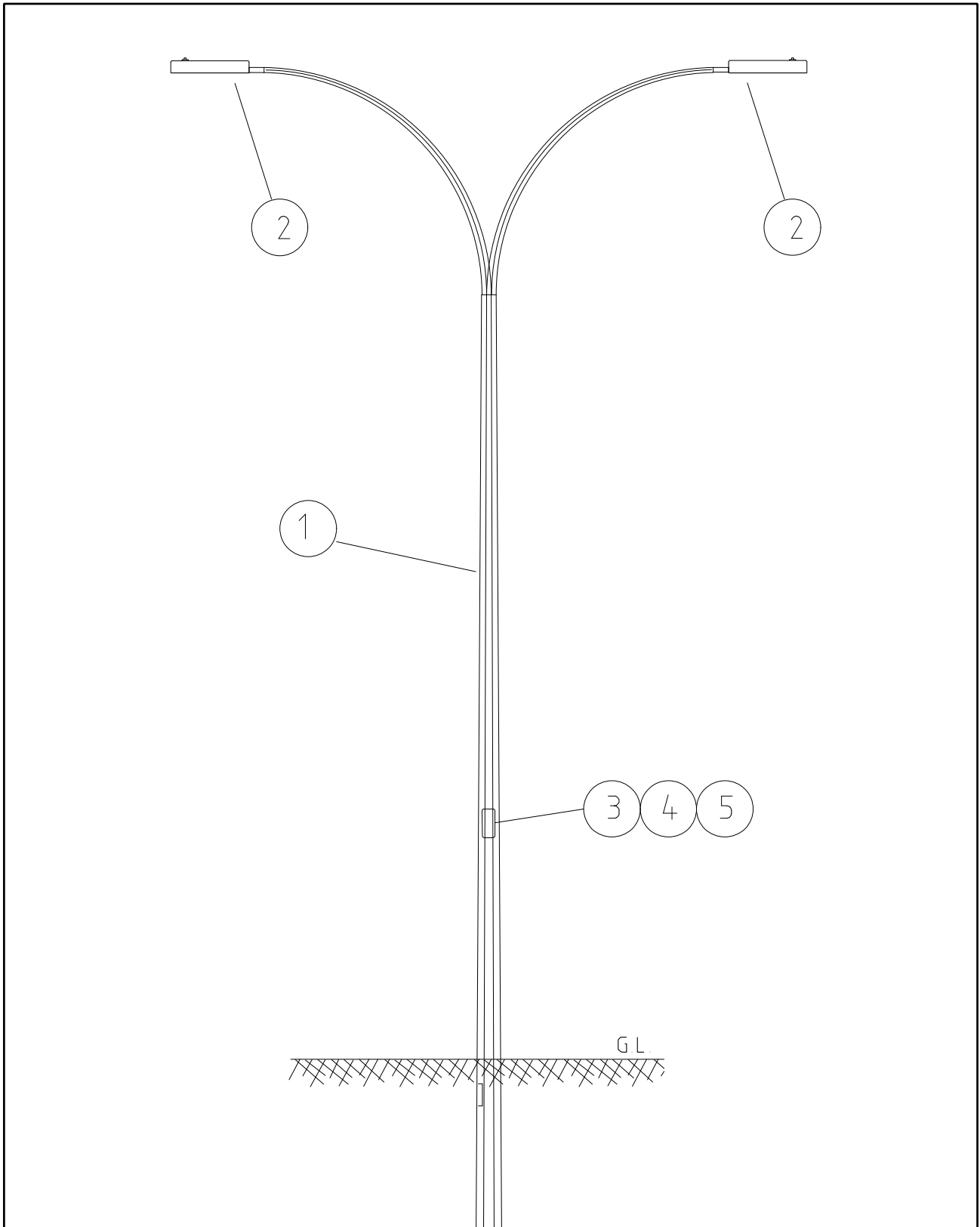
CU	CU Description
----	----------------

SL18_GRACE		Luminaire adaptor for RoadGrace LED (equiv 42W CFL, 125W MH & HPS)			
ITEM NUMBER	STOCK CODE	DESCRIPTION	QTY REQD	UNIT OF MEASURE	REMARKS
1	HL3345	Luminaire adaptor for Road Grace	1		

SL18_FLAIR		Luminaire adaptor for RoadFlair LED (equiv 150/250 MH & HPS)			
ITEM NUMBER	STOCK CODE	DESCRIPTION	QTY REQD	UNIT OF MEASURE	REMARKS
2	HL3346	Luminaire adaptor for Road Flair luminaire	1		

SL18_BOURKE		Luminaire adaptor to fit - Bourke Hill Luminaire			
ITEM NUMBER	STOCK CODE	DESCRIPTION	QTY REQD	UNIT OF MEASURE	REMARKS
3	HL3347	Luminaire adaptor for B/Hill LED	1		

SL18_REDUCE		Luminaire adaptor RoadFlair to non-standard columns			
ITEM NUMBER	STOCK CODE	DESCRIPTION	QTY REQD	UNIT OF MEASURE	REMARKS
4	HL3342	Luminaire adaptor for RoadFlair to non-std columns	1		



NOTE -
 1. REFER TO R26 AND R27 FOR STREET LIGHT WIRING / SYSTEM DESIGN.

				COMPATIBLE UNIT			DISTRIBUTION DESIGN CATALOGUE			
				TITLE			DRAWN: JRR		DATE: 22-04-2014	
				DOUBLE OUTREACH STEEL STANDARD - 6.5m			ORIGINATED:		SCALE: NTS	
							CHECKED: REE		DRG. No.	
							APPROVED: GRANT STACY		SL20	
REV	DATE	DESCRIPTION	DRG.	CHKD.	APPR.			REV.	ISHT.	
E	24.06.20	ITEM 5 (HZ0135) ADDED	CO	REE	GS			E		
D	17.08.18	LED LUMINAIRE ADDED	REE	JC	FK					
C	08.08.01	ORIGINAL ISSUE								

CU	CU Description
----	----------------

Colour Temperature 4000

SL20_1L Double outreach steel standard 6.5m 20W LED (equiv 42W CFL)					
ITEM NUMBER	STOCK CODE	DESCRIPTION	QTY REQD	UNIT OF MEASURE	REMARKS
1	CW1331	POLE 6.5M	1		
2	HL6300	LED Luminaire with 8m cable	2		
2	HL5557	NEMA base PE Cell	2		
3	GF1300	fuse cartridge 10 amp	2		
4	HZ0131	SL fuse cut-out	1		
5	HZ0135	Cut-out mounting bracket	1		

SL20_2L Double outreach steel standard 6.5m 53W LED (equiv 125W MV)					
ITEM NUMBER	STOCK CODE	DESCRIPTION	QTY REQD	UNIT OF MEASURE	REMARKS
1	CW1331	POLE 6.5M	1		
2	HL6303	LED Luminaire with 8m cable	2		
2	HL5557	NEMA base PE Cell	2		
3	GF1300	fuse cartridge 10 amp	2		
4	HZ0131	SL fuse cut-out	1		
5	HZ0135	Cut-out mounting bracket	1		

SL20_3L Double outreach steel standard 6.5m 36W LED (equiv 70W MH & HPS)					
ITEM NUMBER	STOCK CODE	DESCRIPTION	QTY REQD	UNIT OF MEASURE	REMARKS
1	CW1331	POLE 6.5M	1		
2	HL6306	LED Luminaire with 8m cable	2		
2	HL5557	NEMA base PE Cell	2		
3	GF1300	fuse cartridge 10 amp	2		
4	HZ0131	SL fuse cut-out	1		
5	HZ0135	Cut-out mounting bracket	1		

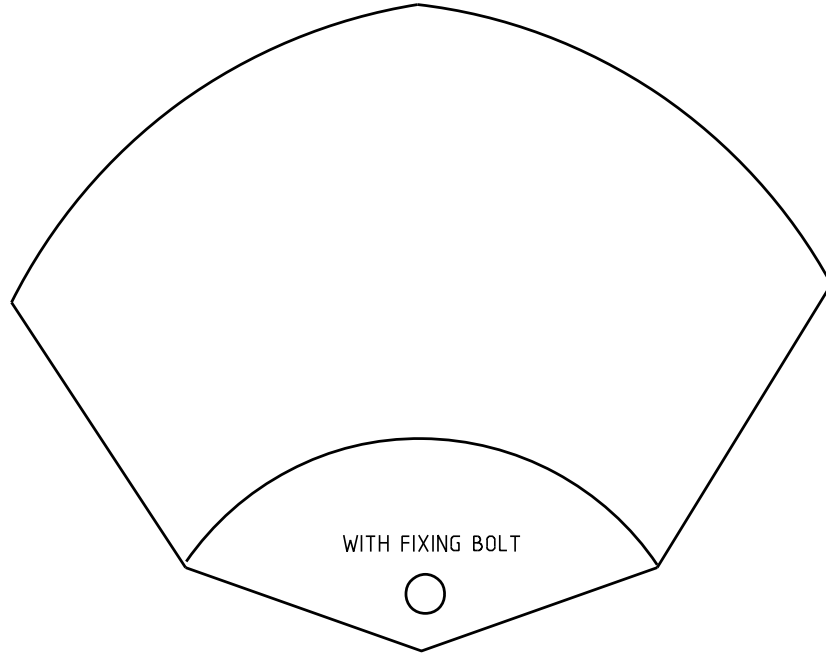
Colour Temperature 3000

SL20_1E Double outreach steel standard 6.5m 16W LED (equiv 42W CFL)					
ITEM NUMBER	STOCK CODE	DESCRIPTION	QTY REQD	UNIT OF MEASURE	REMARKS
1	CW1331	POLE 6.5M	1		
2	HL6601	LED Luminaire with 8m cable	1		
2	HL5557	NEMA base PE Cell	2		
3	GF1300	fuse cartridge 10 amp	2		
4	HZ0131	SL fuse cut-out	2		
5	HZ0135	Cut-out mounting bracket	1		

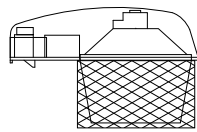
CU	CU Description
----	----------------

SL20_2E Double outreach steel standard 6.5m 43W LED (equiv 125W MV)					
ITEM NUMBER	STOCK CODE	DESCRIPTION	QTY REQD	UNIT OF MEASURE	REMARKS
1	CW1331	POLE 6.5M	1		
2	HL6604	LED Luminaire with 8m cable	2		
2	HL5557	NEMA base PE Cell	2		
3	GF1300	fuse cartridge 10 amp	2		
4	HZ0131	SL fuse cut-out	1		
5	HZ0135	Cut-out mounting bracket	1		

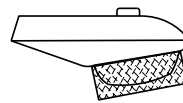
SL20_3E Double outreach steel standard 6.5m 28W LED (equiv 70W MH & HPS)					
ITEM NUMBER	STOCK CODE	DESCRIPTION	QTY REQD	UNIT OF MEASURE	REMARKS
1	CW1331	POLE 6.5M	1		
2	HL6607	LED Luminaire with 8m cable	2		
2	HL5557	NEMA base PE Cell	2		
3	GF1300	fuse cartridge 10 amp	2		
4	HZ0131	SL fuse cut-out	1		
5	HZ0135	Cut-out mounting bracket	1		



GLARE SHIELD



HL0708 - 80W SYLVANIA
HL0701 - 125W SYLVANIA



HL0703 - 150/250W GEC
HL0707 - 250W HPS & MV SYLVANIA

LAMP GUARD

				COMPATIBLE UNIT			DISTRIBUTION DESIGN CATALOGUE		westernpower	
				TITLE			DRAWN: JRR DATE: 22-04-2014 DRG. No.		SL21	
				GLARE SHIELD AND LAMP GUARD FOR TRADITIONAL			ORIGINATED: SCALE: NTS			
B	12.03.20	TITLE REVISED		REE	NN	GS	CHECKED: REE			
A	10.06.10	ORIGINAL ISSUE					APPROVED: GRANT STACY		REV.	SHT.
REV	DATE	DESCRIPTION		DRG.	CHKD.	APRO			B	

CU	CU Description
----	----------------

SL21_SHADEMP Light shade installation menu price					
ITEM NUMBER	STOCK CODE	DESCRIPTION	QTY ROD	UNIT OF MEASURE	REMARKS
	HL0715	Diffuser, Light-glare shield	1	ea	

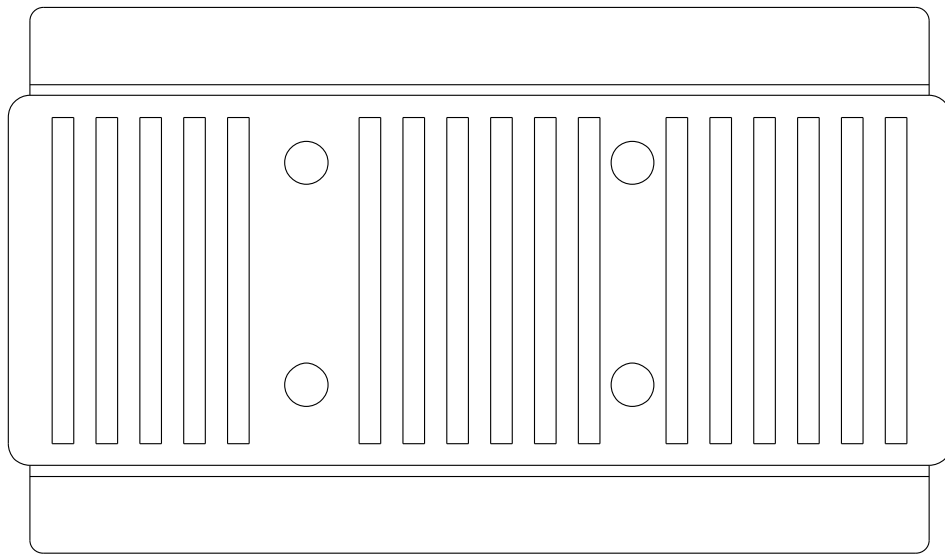
SL21_42 Glare shield for 42W CFL SL					
ITEM NUMBER	STOCK CODE	DESCRIPTION	QTY ROD	UNIT OF MEASURE	REMARKS
	HL0590	Glare shield for 42W CFL suburban	1	ea	

SL21_70B Glare shield (Back) for 70W & 125W SL					
ITEM NUMBER	STOCK CODE	DESCRIPTION	QTY ROD	UNIT OF MEASURE	REMARKS
	HL0592	Glare shield (Back) for 70W & 125W Urban	1	ea	

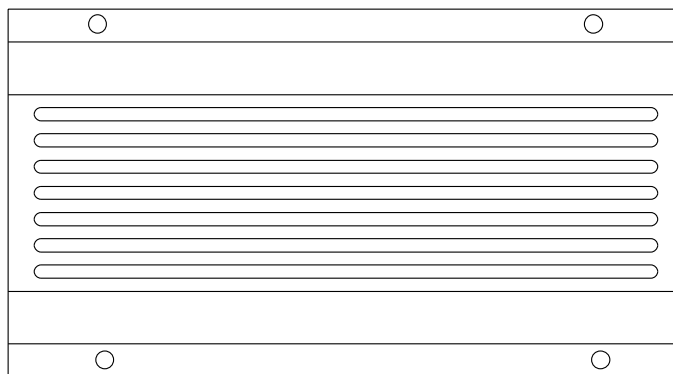
SL21_70FB Glare shield (Front & Back) for 70W & 125W SL					
ITEM NUMBER	STOCK CODE	DESCRIPTION	QTY ROD	UNIT OF MEASURE	REMARKS
	HL0593	Glare shield (Front & Back) for 70W & 125W Urban pathway	1	ea	

SL21_80 Glare shield for 50W & 80W MV SL					
ITEM NUMBER	STOCK CODE	DESCRIPTION	QTY ROD	UNIT OF MEASURE	REMARKS
	HL0715	Glare shield for 50W & 80W Sylvania	1	ea	

SL21_150 Glare shield for 150W & 250W SL					
ITEM NUMBER	STOCK CODE	DESCRIPTION	QTY ROD	UNIT OF MEASURE	REMARKS
	HL0591	Glare shield for 150W & 250W Roadster	1	ea	



ROAD FLAIR (3 SIZES)



ROAD GRACE

				COMPATIBLE UNIT			DISTRIBUTION DESIGN CATALOGUE			
				TITLE			DRAWN: JRR		DATE: 22-04-2014	
				STREET LIGHT SHIELD FOR LED			ORIGINATED:		SCALE: NTS	
							CHECKED: REE		DRG. No. SL22	
							APPROVED: GRANT STACY		REV. B	
REV	DATE	DESCRIPTION	DRG.	CHKD.	APRD.			SHT.		
B	17.08.18	REVISED TO SUIT LED LUMINAIRE		REE	JC					
A	10.06.10	ORIGINAL ISSUE								

CU	CU Description
----	----------------

SL22_GRACE		Glare shield for Road Grace LED			
ITEM NUMBER	STOCK CODE	DESCRIPTION	QTY REQD	UNIT OF MEASURE	REMARKS
1	HL0740	Glare shield for Road Grace (Philips) luminaire	1	ea	

SL22_FLR_4L		Glare shield for Flair 80W LED			
ITEM NUMBER	STOCK CODE	DESCRIPTION	QTY REQD	UNIT OF MEASURE	REMARKS
1	HL0741	Glare shield for Road Flair (Philips) luminaire	1	ea	

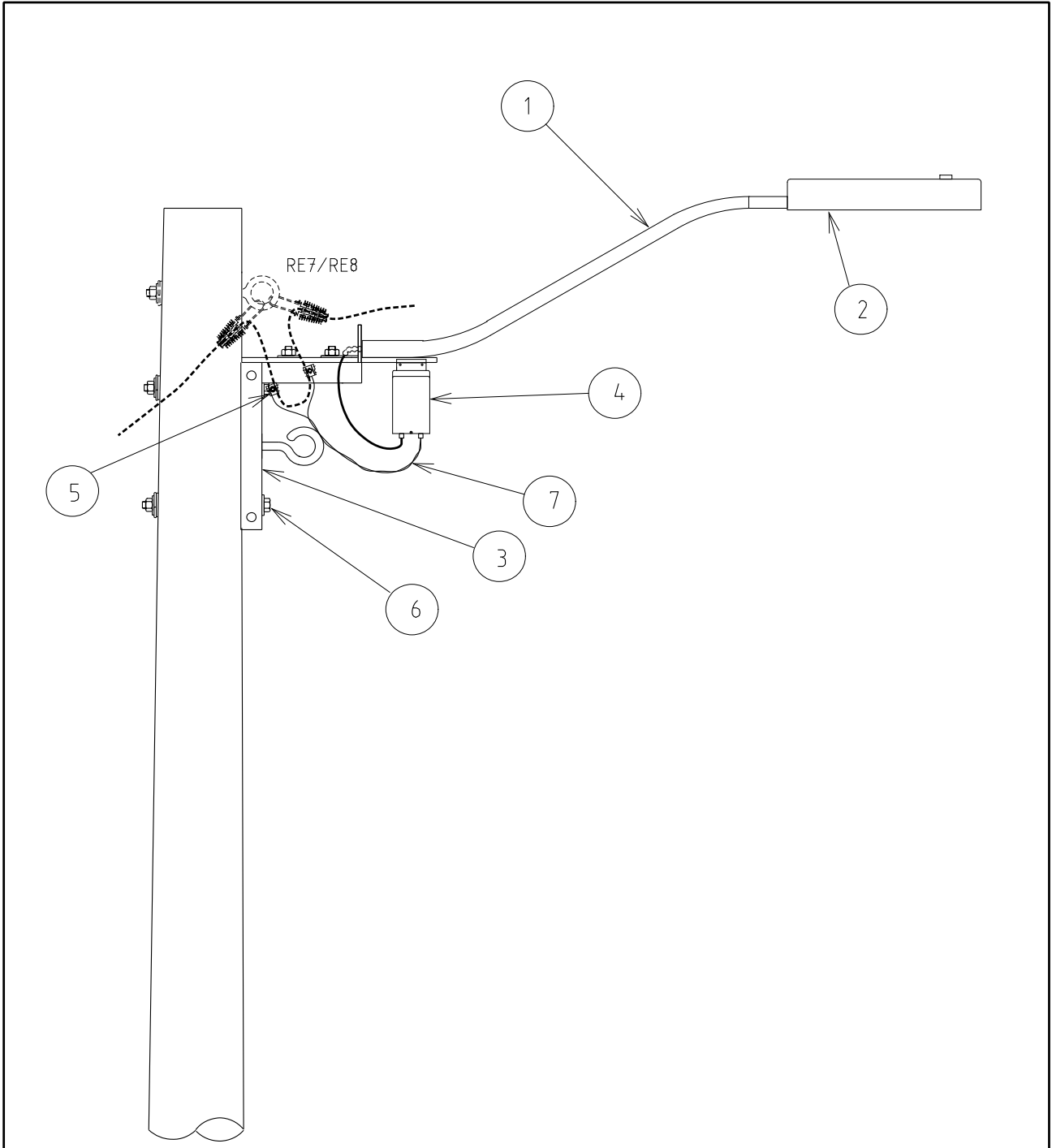
SL22_FLR_5L		Glare shield for Flair 160W LED			
ITEM NUMBER	STOCK CODE	DESCRIPTION	QTY REQD	UNIT OF MEASURE	REMARKS
1	HL0742	Glare shield for Road Flair (Philips) luminaire	1	ea	

SL22_FLR_6L		Glare shield for Flair 170W LED			
ITEM NUMBER	STOCK CODE	DESCRIPTION	QTY REQD	UNIT OF MEASURE	REMARKS
1	HL0743	Glare shield for Road Flair (Philips) luminaire	1	ea	

SL22_FLR_4E		Glare shield for Flair 80W LED			
ITEM NUMBER	STOCK CODE	DESCRIPTION	QTY REQD	UNIT OF MEASURE	REMARKS
1	HL0741	Glare shield for Road Flair (Philips) luminaire	1	ea	

SL22_FLR_5E		Glare shield for Flair 160W LED			
ITEM NUMBER	STOCK CODE	DESCRIPTION	QTY REQD	UNIT OF MEASURE	REMARKS
1	HL0742	Glare shield for Road Flair (Philips) luminaire	1	ea	

SL22_FLR_6E		Glare shield for Flair 170W LED			
ITEM NUMBER	STOCK CODE	DESCRIPTION	QTY REQD	UNIT OF MEASURE	REMARKS
1	HL0743	Glare shield for Road Flair (Philips) luminaire	1	ea	



- NOTES:-
1. IF ARTERIAL LIGHTING IS TO BE FITTED TO MINOR ROAD LAYOUT REFER TO SL18 FOR BRACKETS.
 2. REMOVE MINOR ROAD LUMINAIRE AND REPLACE WITH ARTERIAL ROAD LUMINAIRE REQUIREMENT.

				COMPATIBLE UNIT		DISTRIBUTION DESIGN CATALOGUE		westernpower	
				TITLE		DRAWN: JRR DATE: 22-04-2014 DRG. No.		SL23	
				STREET LIGHT FEED		ORIGINATED: SCALE: NTS			
				MINOR ROAD		CHECKED: REE			
				WOOD POLE WITHOUT CROSSARM		APPROVED: GRANT STACY		REV. C	
REV	DATE	DESCRIPTION	DRG.	CHKD.	APPR.			SHT.	
C	21.07.21	LED LUMINAIRE TYPE CHANGED	REE	CO	FK				
B	17.08.18	LED LUMINAIRE ADDED	REE	JC	FK				
A	08.08.01	ORIGINAL ISSUE							

CU	CU Description
----	----------------

Colour Temperature 4000

SL23_1L Streetlight Feed - Minor road Wood pole without xarm_20W LED (equiv 42W CFL)					
ITEM NUMBER	STOCK CODE	DESCRIPTION	QTY REQD	UNIT OF MEASURE	REMARKS
1	CB0424	bracket	1		
2	HL6300	LED Luminaire with 8m cable	1		
2	HL5557	NEMA base PE Cell	1		
3	CB3020	universal bracket with nuts and bolts	1		
4	GF1804	Fuse holder with no fuse	1		
4	GF0925	10amp fuse	1		
5	CC0063	IPC - 16mm XLPE to 4mm conductor	2		
6	AB6732	pole bolt - 16 dia x 550lg with nuts& Washers	2		
7	EE1120	6mm copper xlpe	1	metres	

SL23_2L Streetlight Feed - Minor road Wood pole without xarm_53W LED (equiv 125W MV)					
ITEM NUMBER	STOCK CODE	DESCRIPTION	QTY REQD	UNIT OF MEASURE	REMARKS
1	CB0424	bracket	1		
2	HL6303	LED Luminaire with 8m cable	1		
2	HL5557	NEMA base PE Cell	1		
3	CB3020	universal bracket with nuts and bolts	1		
4	GF1804	Fuse holder with no fuse	1		
4	GF0925	10amp fuse	1		
5	CC0063	IPC - 16mm XLPE to 4mm conductor	2		
6	AB6732	pole bolt - 16 dia x 550lg with nuts& Washers	2		
7	EE1120	6mm copper xlpe	1	metres	

SL23_3L Streetlight Feed - Minor road Wood pole without xarm_36W LED (equiv 70W MH & HPS)					
ITEM NUMBER	STOCK CODE	DESCRIPTION	QTY REQD	UNIT OF MEASURE	REMARKS
1	CB0424	bracket	1		
2	HL6306	LED Luminaire with 8m cable	1		
2	HL5557	NEMA base PE Cell	1		
3	CB3020	universal bracket with nuts and bolts	1		
4	GF1804	Fuse holder with no fuse	1		
4	GF0925	10amp fuse	1		
5	CC0063	IPC - 16mm XLPE to 4mm conductor	2		
6	AB6732	pole bolt - 16 dia x 550lg with nuts& Washers	2		
7	EE1120	6mm copper xlpe	1	metres	

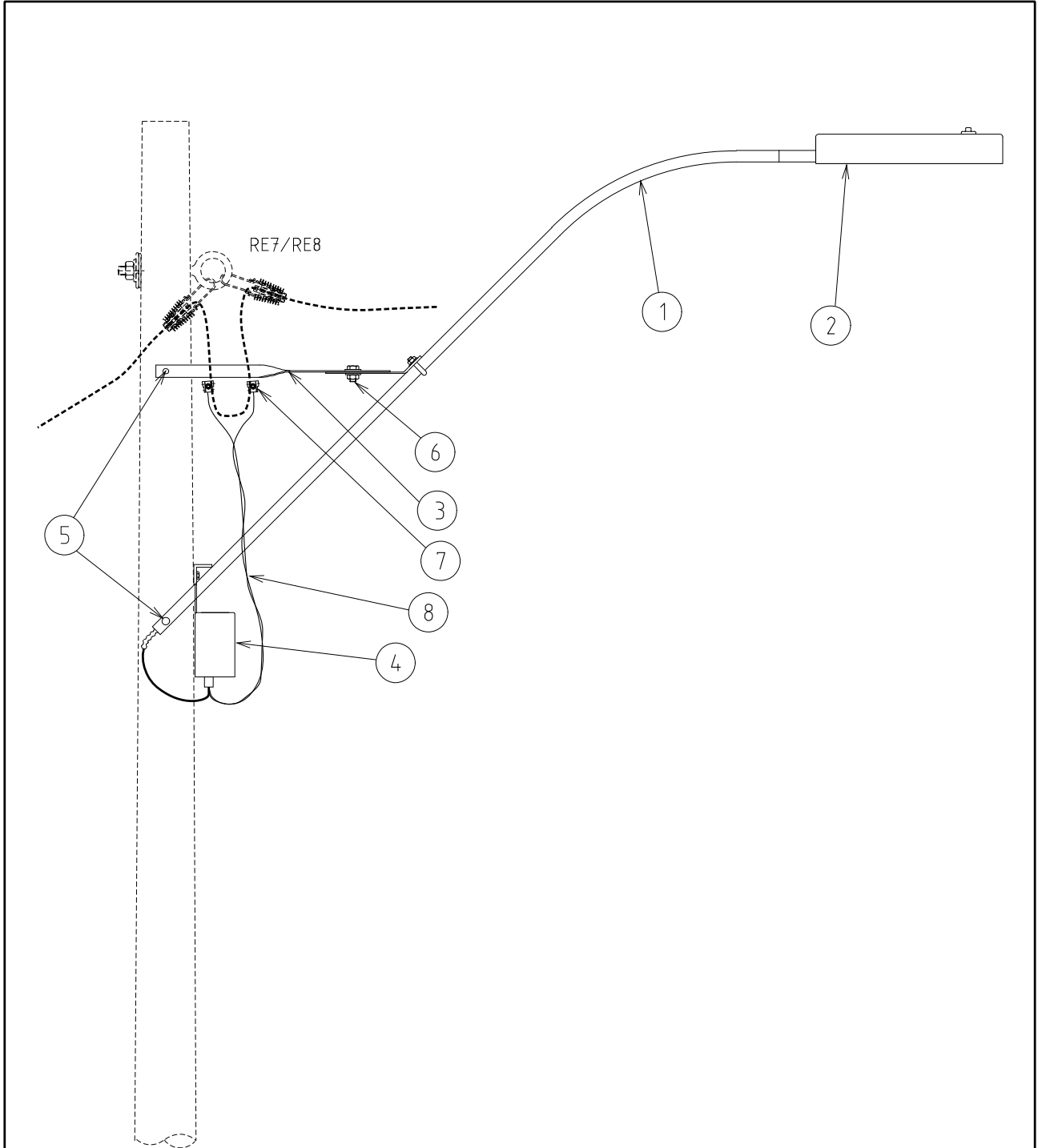
CU	CU Description
----	----------------

Colour Temperature 3000

SL23_1E Streetlight Feed - Minor road Wood pole without xarm_16W LED (equiv 42W CFL)					
ITEM NUMBER	STOCK CODE	DESCRIPTION	QTY REQD	UNIT OF MEASURE	REMARKS
1	CB0424	bracket	1		
2	HL6601	LED Luminaire with 8m cable	1		
2	HL5557	NEMA base PE Cell	1		
3	CB3020	universal bracket with nuts and bolts	1		
4	GF1804	Fuse holder with no fuse	1		
4	GF0925	10amp fuse	1		
5	CC0063	IPC - 16mm XLPE to 4mm conductor	2		
6	AB6732	pole bolt - 16 dia x 550lg with nuts& Washers	2		
7	EE1120	6mm copper xlpe	1	metres	

SL23_2E Streetlight Feed - Minor road Wood pole without xarm_43W LED (equiv 125W MV)					
ITEM NUMBER	STOCK CODE	DESCRIPTION	QTY REQD	UNIT OF MEASURE	REMARKS
1	CB0424	bracket	1		
2	HL6604	LED Luminaire with 8m cable	1		
2	HL5557	NEMA base PE Cell	1		
3	CB3020	universal bracket with nuts and bolts	1		
4	GF1804	Fuse holder with no fuse	1		
4	GF0925	10amp fuse	1		
5	CC0063	IPC - 16mm XLPE to 4mm conductor	2		
6	AB6732	pole bolt - 16 dia x 550lg with nuts& Washers	2		
7	EE1120	6mm copper xlpe	1	metres	

SL23_3E Streetlight Feed - Minor road Wood pole without xarm_28W LED (equiv 70W MH & HPS)					
ITEM NUMBER	STOCK CODE	DESCRIPTION	QTY REQD	UNIT OF MEASURE	REMARKS
1	CB0424	bracket	1		
2	HL6607	LED Luminaire with 8m cable	1		
2	HL5557	NEMA base PE Cell	1		
3	CB3020	universal bracket with nuts and bolts	1		
4	GF1804	Fuse holder with no fuse	1		
4	GF0925	10amp fuse	1		
5	CC0063	IPC - 16mm XLPE to 4mm conductor	2		
6	AB6732	pole bolt - 16 dia x 550lg with nuts& Washers	2		
7	EE1120	6mm copper xlpe	1	metres	



- NOTES:-
1. IF MINOR ROAD LIGHTING IS TO BE FITTED TO ARTERIAL ROAD LAYOUT REFER TO SL18 FOR BRACKETS.
 2. REMOVE ARTERIAL ROAD LUMINAIRE AND REPLACE WITH MINOR ROAD LUMINAIRE REQUIREMENT.

				COMPATIBLE UNIT		DISTRIBUTION DESIGN CATALOGUE		westernpower	
				TITLE		DRAWN: JRR DATE: 22-04-2014 DRG. No.		SL24	
				STREET LIGHT FEED		ORIGINATED: SCALE: NTS			
				ARTERIAL ROAD		CHECKED: REE			
				WOOD POLE WITHOUT CROSSARM		APPROVED: GRANT STACY		REV. B SHT.	
B	17.08.18	LED LUMINAIRE ADDED		REE	JC	FK			
A	22.04.13	ORIGINAL ISSUE							
REV	DATE	DESCRIPTION		DRG.	CHKD.	APRD.			

CU	CU Description
----	----------------

Colour Temperature 4000

SL24_4L Streetlight Feed - Arterial road Wood pole without xarm_80W LED (equiv 150W HPS & MH)					
ITEM NUMBER	STOCK CODE	DESCRIPTION	QTY REQD	UNIT OF MEASURE	REMARKS
1	CB0278	bracket with nuts & bolts	1		
2	HL6309	LED Luminaire with 15m cable	1		
2	HL5557	NEMA base PE Cell	1		
3	CB0548	twisted bracket	2		
4	GF1804	Fuse holder with no fuse	1		
4	GF0925	10amp fuse	1		
5	AB6741	pole bolt - 12 dia supplied with nuts& Washers	2		
6	AB4551	12 dia bolt 40 long with nut	1		
7	CC0063	IPC - 16mm XLPE to 4mm conductor	2		
8	EE1120	6mm copper xlpe	2	metres	

SL24_5L Streetlight Feed - Arterial road Wood pole without xarm_160W LED (equiv 250W MH)					
ITEM NUMBER	STOCK CODE	DESCRIPTION	QTY REQD	UNIT OF MEASURE	REMARKS
1	CB0278	bracket with nuts & bolts	1		
2	HL6312	LED Luminaire with 15m cable	1		
2	HL5557	NEMA base PE Cell	1		
3	CB0548	twisted bracket	2		
4	GF1804	Fuse holder with no fuse	1		
4	GF0925	10amp fuse	1		
5	AB6741	pole bolt - 12 dia supplied with nuts& Washers	2		
6	AB4551	12 dia bolt 40 long with nut	1		
7	CC0063	IPC - 16mm XLPE to 4mm conductor	2		
8	EE1120	6mm copper xlpe	2	metres	

SL24_6L Streetlight Feed - Arterial road Wood pole without xarm_170W LED (equiv 250W HPS)					
ITEM NUMBER	STOCK CODE	DESCRIPTION	QTY REQD	UNIT OF MEASURE	REMARKS
1	CB0278	bracket with nuts & bolts	1		
2	HL6315	LED Luminaire with 15m cable	1		
2	HL5557	NEMA base PE Cell	1		
3	CB0548	twisted bracket	2		
4	GF1804	Fuse holder with no fuse	1		
4	GF0925	10amp fuse	1		
5	AB6741	pole bolt - 12 dia supplied with nuts& Washers	2		
6	AB4551	12 dia bolt 40 long with nut	1		
7	CC0063	IPC - 16mm XLPE to 4mm conductor	2		
8	EE1120	6mm copper xlpe	2	metres	

CU	CU Description
----	----------------

Colour Temperature 3000

SL24_4E Streetlight Feed - Arterial road Wood pole without xarm_80W LED (equiv 150W HPS & MH)					
ITEM NUMBER	STOCK CODE	DESCRIPTION	QTY REQD	UNIT OF MEASURE	REMARKS
1	CB0278	bracket with nuts & bolts	1		
2	HL6310	LED Luminaire with 15m cable	1		
2	HL5557	NEMA base PE Cell	1		
3	CB0548	twisted bracket	2		
4	GF1804	Fuse holder with no fuse	1		
4	GF0925	10amp fuse	1		
5	AB6741	pole bolt - 12 dia supplied with nuts& Washers	2		
6	AB4551	12 dia bolt 40 long with nut	1		
7	CC0063	IPC - 16mm XLPE to 4mm conductor	2		
8	EE1120	6mm copper xlpe	2	metres	

SL24_5E Streetlight Feed - Arterial road Wood pole without xarm_160W LED (equiv 250W MH)					
ITEM NUMBER	STOCK CODE	DESCRIPTION	QTY REQD	UNIT OF MEASURE	REMARKS
1	CB0278	bracket with nuts & bolts	1		
2	HL6313	LED Luminaire with 15m cable	1		
2	HL5557	NEMA base PE Cell	1		
3	CB0548	twisted bracket	2		
4	GF1804	Fuse holder with no fuse	1		
4	GF0925	10amp fuse	1		
5	AB6741	pole bolt - 12 dia supplied with nuts& Washers	2		
6	AB4551	12 dia bolt 40 long with nut	1		
7	CC0063	IPC - 16mm XLPE to 4mm conductor	2		
8	EE1120	6mm copper xlpe	2	metres	

SL24_6E Streetlight Feed - Arterial road Wood pole without xarm_170W LED (equiv 250W HPS)					
ITEM NUMBER	STOCK CODE	DESCRIPTION	QTY REQD	UNIT OF MEASURE	REMARKS
1	CB0278	bracket with nuts & bolts	1		
2	HL6316	LED Luminaire with 15m cable	1		
2	HL5557	NEMA base PE Cell	1		
3	CB0548	twisted bracket	2		
4	GF1804	Fuse holder with no fuse	1		
4	GF0925	10amp fuse	1		
5	AB6741	pole bolt - 12 dia supplied with nuts& Washers	2		
6	AB4551	12 dia bolt 40 long with nut	1		
7	CC0063	IPC - 16mm XLPE to 4mm conductor	2		
8	EE1120	6mm copper xlpe	2	metres	