



Distribution Construction Standards Handbook

Streetlighting

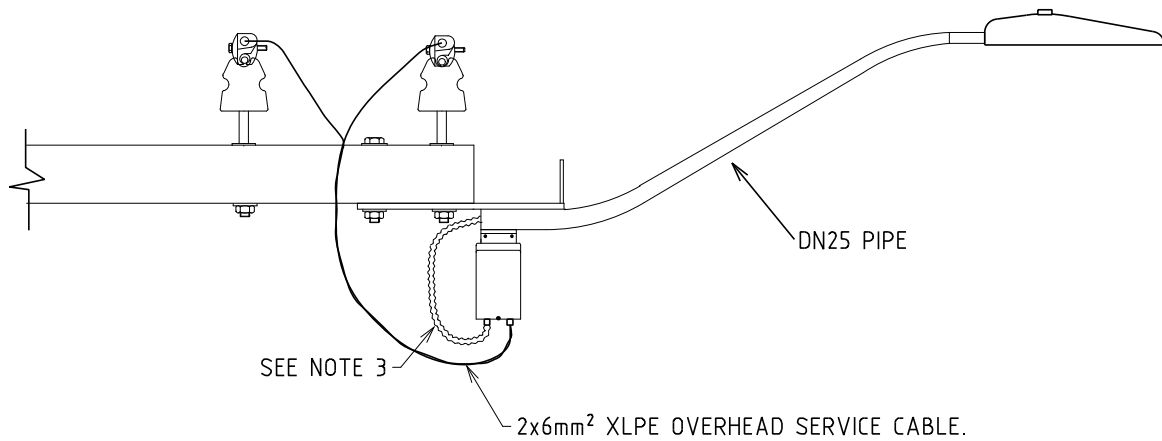
Part 8

Drawing Register

Number	Revision	Description
S02	H	Minor Road, Wood or Concrete Pole with Crossarm
S03	H	Arterial Road, Wood Pole with Crossarm
S05	I	Arterial Road, Concrete Pole with Crossarm
S06	K	Arterial Road, For ABC
S07	H	Minor Road, For ABC
S08	D	Single Outreach Steel Standard – 6.5m
S09	D	Single Outreach Steel Standard – 10.5m
S10	D	Double Outreach Steel Standard – 10.5m
S11	D	Single Outreach Steel Standard – 12.5m
S12	D	Double Outreach Steel Standard – 12.5m
S19	G	Streetlight Feed Minor Road
S20	K	Streetlight Feed Arterial Road

General Notes

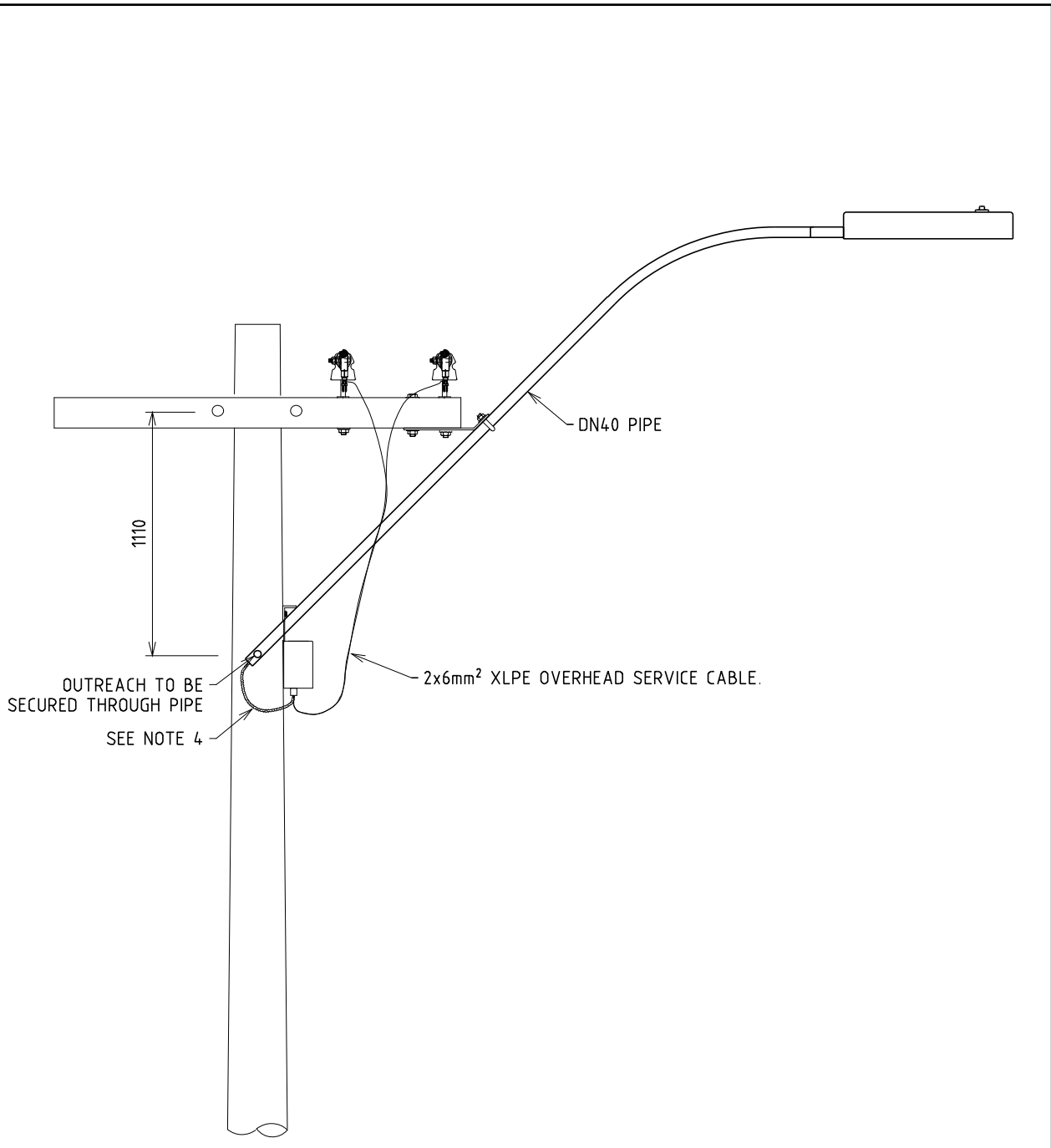
The streetlight column burial depth indicated on drawings S8 – S15 shall be applied as a guide and may vary between manufacturers. A ground line indicator is present on installed poles to be used for quality compliance inspection.



NOTES:-

1. STREETLIGHT LOAD SHOULD BE BALANCED ACROSS PHASES.
2. LUMINAIRE SUPPLIED WITH PVC INSULATED BLACK SHEATH CONDUCTOR.
3. TO PROVIDE PROTECTION AND BIRD PROOFING, INSTALL 20mm FLEXIBLE CONDUIT OR HOSE OVER CONDUCTOR. EXTEND 300mm INTO PIPE AND EXTEND TO FUSE BOX.

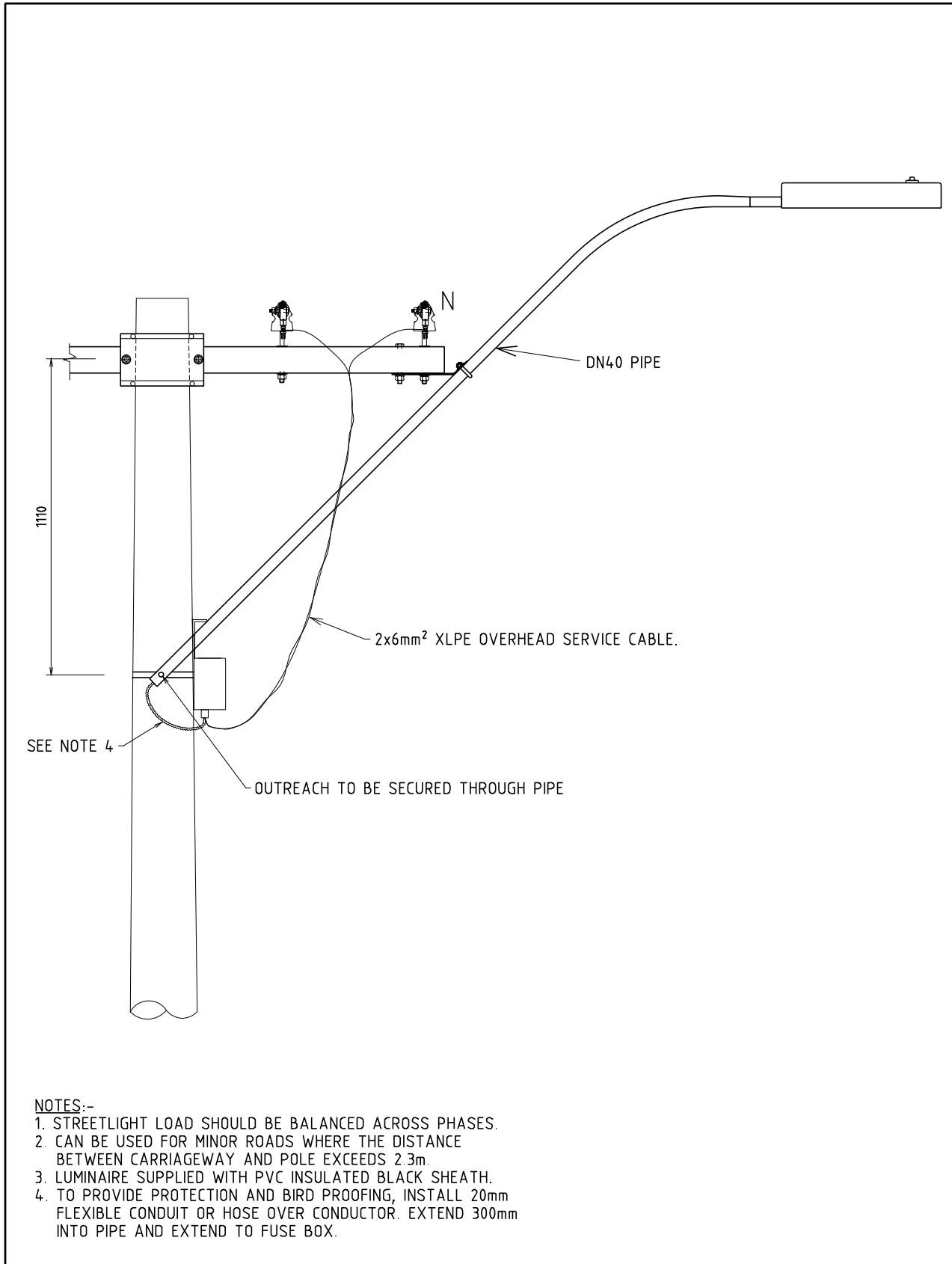
				STREETLIGHTING			DISTRIBUTION CONSTR. STANDARD			
H	11.01.21	FLEXIBLE CONDUIT DETAILS REVISED	REE	NN	GS	TITLE MINOR ROAD WOOD OR CONCRETE POLE WITH CROSSARM	DRAWN: JRR	DATE: 25-03-2014	DRG. No.	S02
G	10.09.19	NOTES AND DRAWING No. REVISED	REE	NN	GS		ORIGINATED:	SCALE: NTS		
F	11.07.19	SERVICE CABLE ANNOTATION ADDED	CD	REE	GS		CHECKED: REE			
E	16.08.18	REVISED TO SUIT LED LUMINAIRES	REE	JC	FK		APPROVED:			
D	06.02.18	CONDUCTORS AND CONDUITS CLARIFIED	CD	NMC	GS		GRANT STACY	REV. H	SHT.	
REV	DATE	DESCRIPTION	DRGD	CHKD	APRD					



NOTES:-

1. STREETLIGHT LOAD SHOULD BE BALANCED ACROSS PHASES.
2. CAN BE USED FOR MINOR ROADS WHERE THE DISTANCE BETWEEN CARRIAGEWAY AND POLE EXCEEDS 2.3m.
3. LUMINAIRE SUPPLIED WITH PVC INSULATED BLACK SHEATH.
4. TO PROVIDE PROTECTION AND BIRD PROOFING, INSTALL 20mm FLEXIBLE CONDUIT OR HOSE OVER CONDUCTOR. EXTEND 300mm INTO PIPE AND EXTEND TO FUSE BOX.

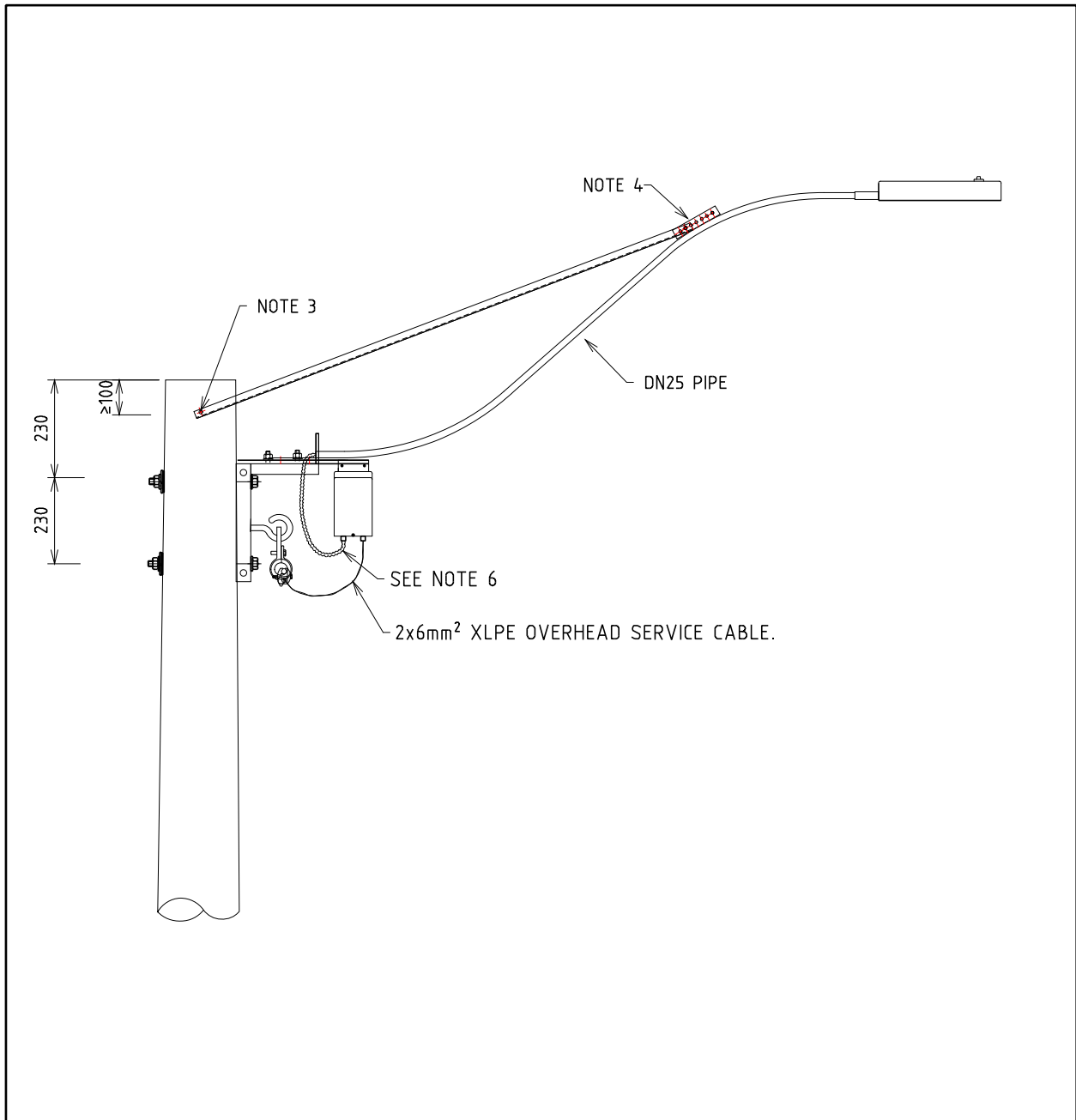
				STREETLIGHTING			DISTRIBUTION CONSTR. STANDARD			
H	11.01.21	FLEXIBLE CONDUIT DETAILS REVISED	REE	NN	GS	TITLE ARTERIAL ROAD WOOD POLE WITH CROSSARM	DRAWN: JRR	DATE: 25-03-2014	DRG. No.	S03
G	10.09.19	NOTE AND DRAWING No. REVISED	REE	NN	GS		ORIGINATED:	SCALE: NTS		
F	11.07.19	SERVICE CABLE ANNOTATION ADDED	CO	REE	GS		CHECKED: REE			
E	16.08.18	REVISED TO SUIT LED LUMINAIRES	REE	JC	FK		APPROVED:			
D	06.02.18	CONDUCTORS AND CONDUITS CLARIFIED	CO	NMc	FK		GRANT STACY	REV. H	SHT.	
REV	DATE	DESCRIPTION	DRG.	CHKD.	APRD.					



NOTES:-

1. STREETLIGHT LOAD SHOULD BE BALANCED ACROSS PHASES.
2. CAN BE USED FOR MINOR ROADS WHERE THE DISTANCE BETWEEN CARRIAGEWAY AND POLE EXCEEDS 2.3m.
3. LUMINAIRE SUPPLIED WITH PVC INSULATED BLACK SHEATH.
4. TO PROVIDE PROTECTION AND BIRD PROOFING, INSTALL 20mm FLEXIBLE CONDUIT OR HOSE OVER CONDUCTOR. EXTEND 300mm INTO PIPE AND EXTEND TO FUSE BOX.

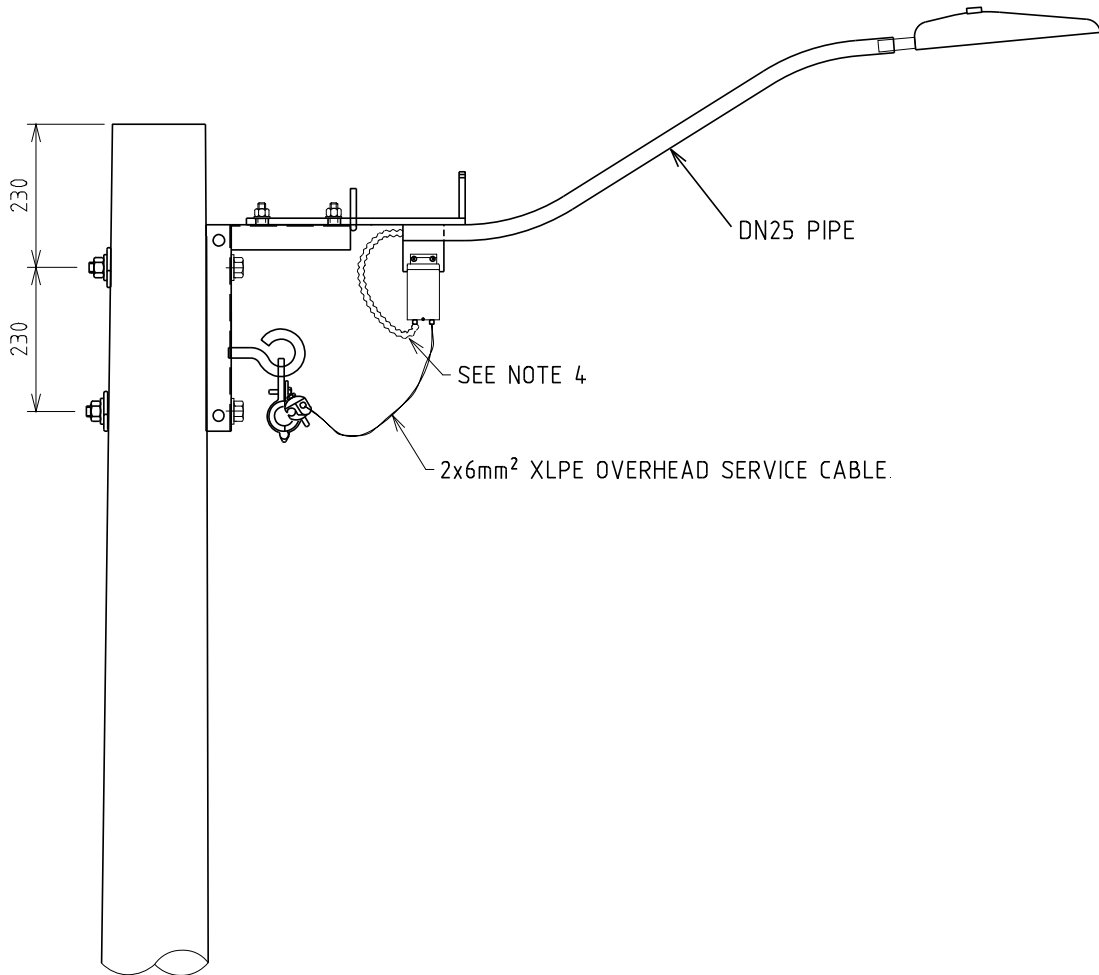
				STREET LIGHTING			DISTRIBUTION CONSTR. STANDARD			
I	11.01.21	FLEXIBLE CONDUIT DETAILS REVISED	REE	NN	GS	TITLE ARTERIAL ROAD CONCRETE POLE WITH CROSSARM	DRAWN: JRR	DATE: 25-03-2014	DRG. No.	S05
H	10.09.19	NOTE AND DRAWING No. REVISED	REE	NN	GS		ORIGINATED:	SCALE: NTS		
G	11.07.19	SERVICE CABLE ANNOTATION ADDED	CO	REE	GS		CHECKED: REE			
F	31.08.18	OUTREACH INSTALLATION METHOD RECTIFIED	CO	REE	GS		APPROVED:			
E	16.08.18	REVISED TO SUIT LED LUMINAIRES	REE	JC	FK		GRANT STACY	REV. SHT.		
REV	DATE	DESCRIPTION	DRG.	CHKD.	APPR.					



NOTES:-

1. STREETLIGHT LOAD SHOULD BE BALANCED ACROSS PHASES.
2. CAN BE USED FOR MINOR ROADS WHERE THE DISTANCE BETWEEN CARRIAGEWAY AND POLE EXCEEDS 2.3m.
3. BOLT AS CLOSE AS POSSIBLE TO THE MIDDLE OF THE POLE.
4. ADJUST BRACING STRAPS ATTACHMENT TO SUIT THE SPECIFIED POLE DIMENSIONS
5. LUMINAIRE SUPPLIED WITH PVC INSULATED BLACK SHEATH.
6. TO PROVIDE PROTECTION AND BIRD PROOFING, INSTALL 20mm FLEXIBLE CONDUIT OR HOSE OVER CONDUCTOR. EXTEND 300mm INTO PIPE AND EXTEND TO FUSE BOX.

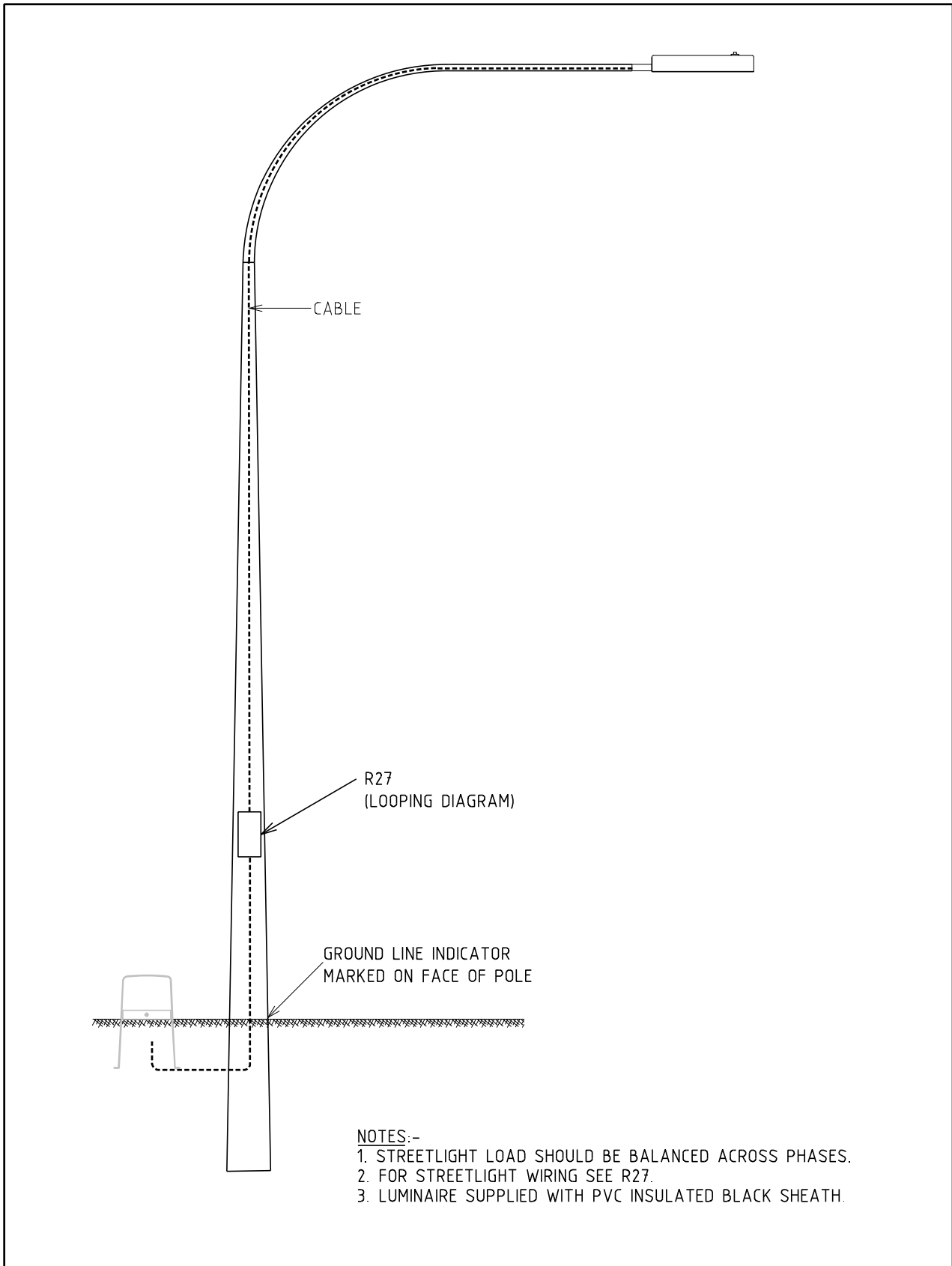
				STREETLIGHTING		DISTRIBUTION CONSTR. STANDARD			
K	11.01.21	FLEXIBLE CONDUIT DETAILS REVISED	REE	NN	GS	DRAWN: JRR		DATE: 25-03-2016	ORG. No.
J	10.09.19	NOTE AND DRAWING No. REVISED	REE	NN	GS	ORIGINATED:		SCALE: NTS	S06
H	11.07.19	SERVICE CABLE ANNOTATION ADDED	CO	REE	GS	CHECKED: REE			
G	16.08.18	REVISED TO SUIT LED LUMINAIRES	REE	JC	FK	APPROVED: GRANT STACY		REV. K	
F	06.02.18	CONDUCTORS AND CONDUITS CLARIFIED	CO	N/M	GS				SHT.
REV	DATE	DESCRIPTION	DRG.	CHKD.	APPR.				



NOTES:-

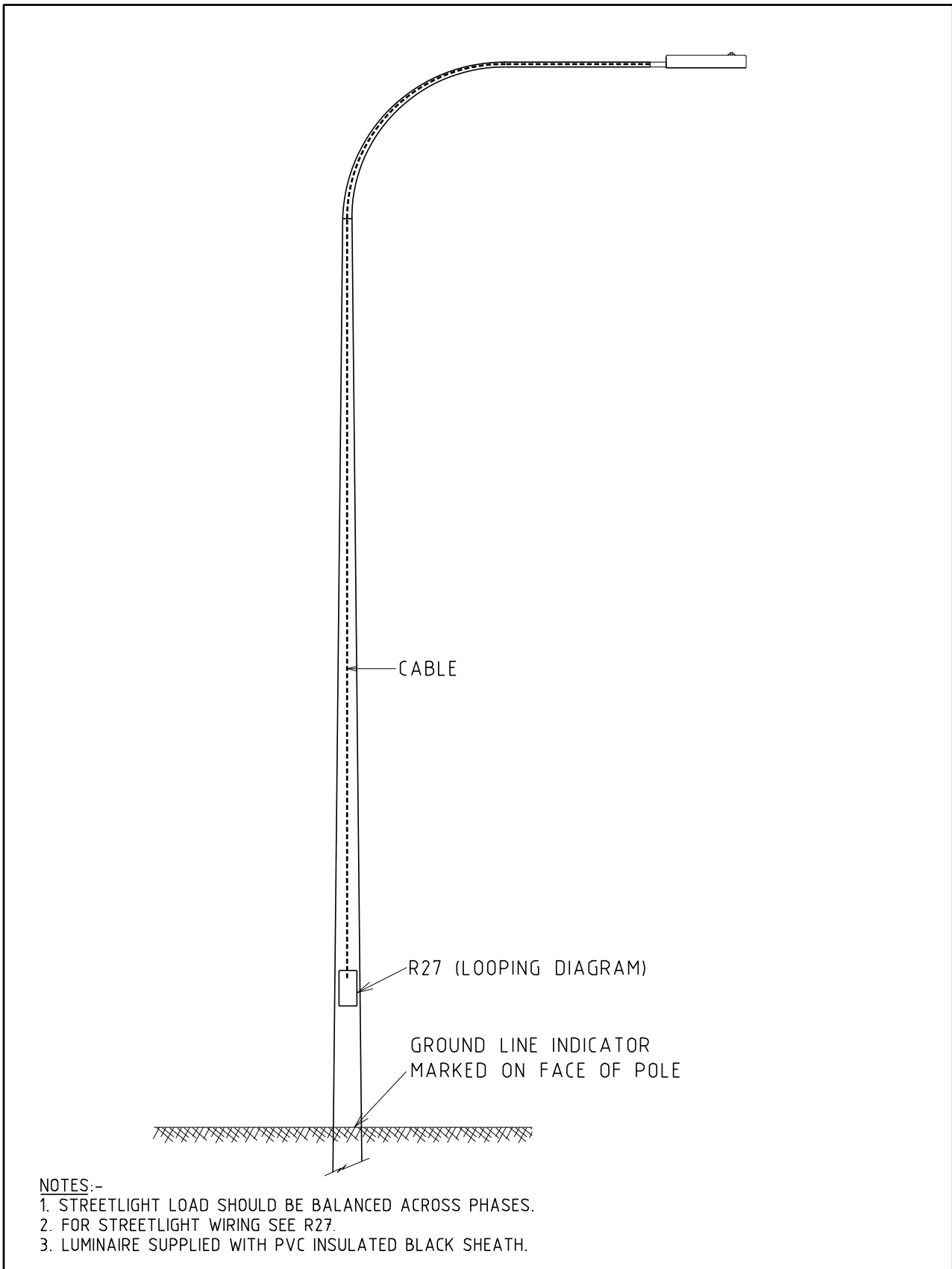
1. STREETLIGHT LOAD SHOULD BE BALANCED ACROSS PHASES.
2. CAN BE USED FOR MINOR ROADS WHERE THE DISTANCE BETWEEN CARRIAGEWAY AND POLE EXCEEDS 2.3m.
3. LUMINAIRE SUPPLIED WITH PVC INSULATED BLACK SHEATH.
4. TO PROVIDE PROTECTION AND BIRD PROOFING, INSTALL 20mm FLEXIBLE CONDUIT OR HOSE OVER CONDUCTOR. EXTEND 300mm INTO PIPE AND EXTEND TO FUSE BOX.

REV	DATE	DESCRIPTION	ORGD.	CHKD.	APRD.	TITLE	DISTRIBUTION CONSTR. STANDARD	westernpower	DRG. No.
H	11.01.21	FLEXIBLE CONDUIT DETAILS REVISED	REE	NN	GS	STREETLIGHTING MINOR ROAD - FOR ABC	DISTRIBUTION CONSTR. STANDARD	westernpower	S07
G	10.09.19	NOTE AND DRAWING No. REVISED	REE	NN	GS				
F	11.07.19	SERVICE CABLE ANNOTATION ADDED	CO	REE	GS				
E	16.08.18	REVISED TO SUIT LED LUMINAIRES	REE	JC	FK				
D	06.02.18	CONDUCTORS AND CONDUITS CLARIFIED	CO	NMc	GS				
							CHECKED: REE	SCALE: NTS	
							APPROVED: GRANT STACY	REV: H	SHT.



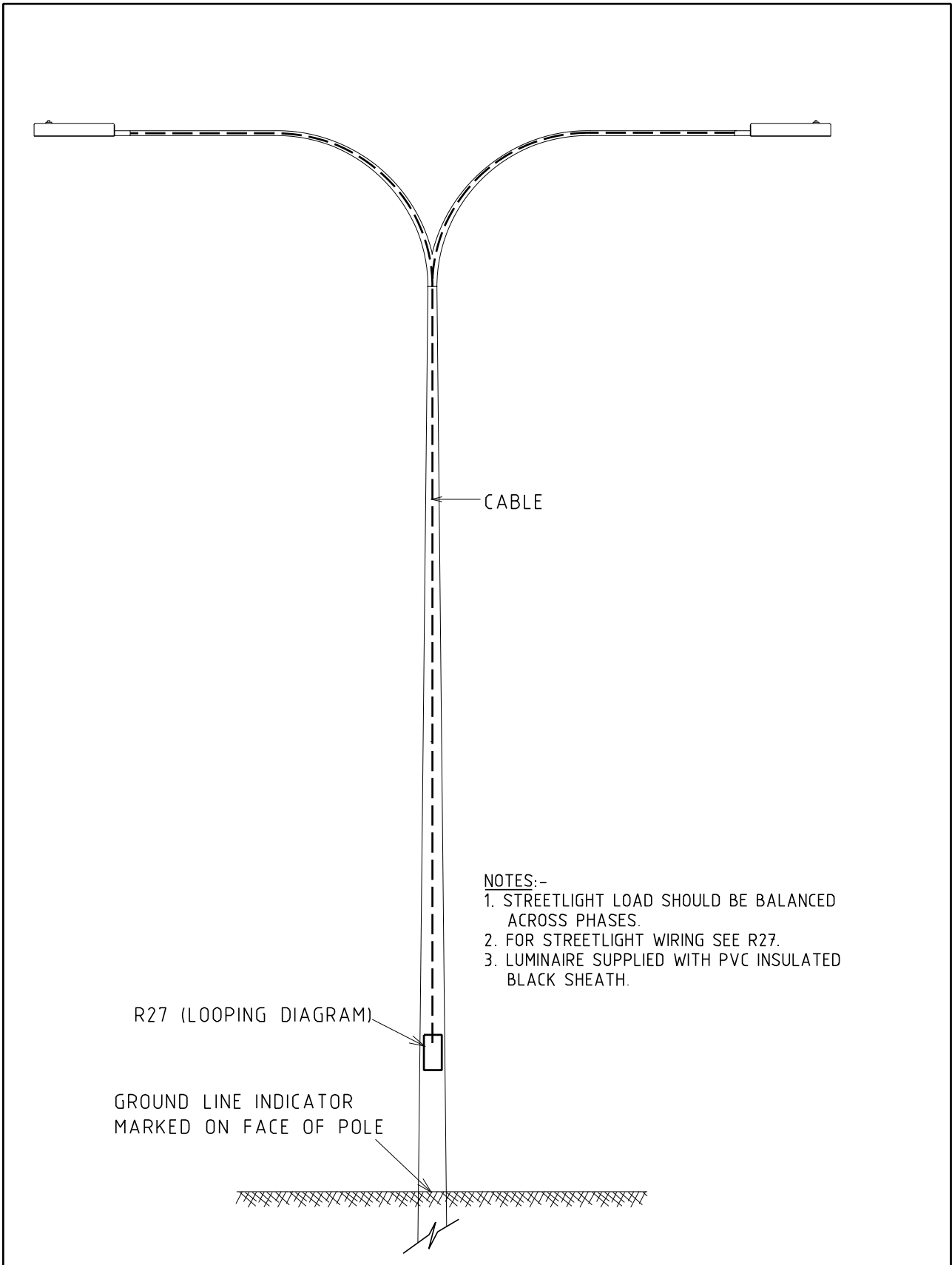
- NOTES:-
1. STREETLIGHT LOAD SHOULD BE BALANCED ACROSS PHASES.
 2. FOR STREETLIGHT WIRING SEE R27.
 3. LUMINAIRE SUPPLIED WITH PVC INSULATED BLACK SHEATH.

				STREET LIGHTING			DISTRIBUTION CONSTR. STANDARD			
				TITLE			DRAWN: JRR DATE: 25-03-2014		DRG. No.	
				SINGLE OUTREACH STEEL STANDARD - 6.5m			ORIGINATED: SCALE: NTS		S08	
							CHECKED: REE		REV. D	
							APPROVED: GRANT STACY		SHT.	
REV	DATE	DESCRIPTION	ORGD.	CHKD.	APRD.					
D	10.09.19	NOTE AND DRAWING No. REVISED	REE	NN	FK					
C	16.08.18	LED ADDED AND NOTES REVISED	REE	JC	FK					
B	14.07.16	NOTE ABOUT CABLE REVISED	REE	JC	GS					
A	01.11.03	ORIGINAL ISSUE								



- NOTES:-
1. STREETLIGHT LOAD SHOULD BE BALANCED ACROSS PHASES.
 2. FOR STREETLIGHT WIRING SEE R27.
 3. LUMINAIRE SUPPLIED WITH PVC INSULATED BLACK SHEATH.

				STREET LIGHTING		DISTRIBUTION CONSTR. STANDARD			
D	10.09.19	NOTE AND DRAWING No. REVISED	REE	NN	GS	DRAWN: JRR DATE: 25-03-2014		DRG. No.	
C	16.08.18	LED ADDED AND NOTES REVISED	REE	JC	FK	ORIGINATED:		SCALE: NTS	
B	14.07.16	CABLE NOTE REVISED	REE	JC	GS	CHECKED: REE		S09	
A	07.11.03	ORIGINAL ISSUE				APPROVED:			
REV	DATE	DESCRIPTION	ORGD.	CHKD.	APRD.	GRANT STACY		REV. D	SHT.

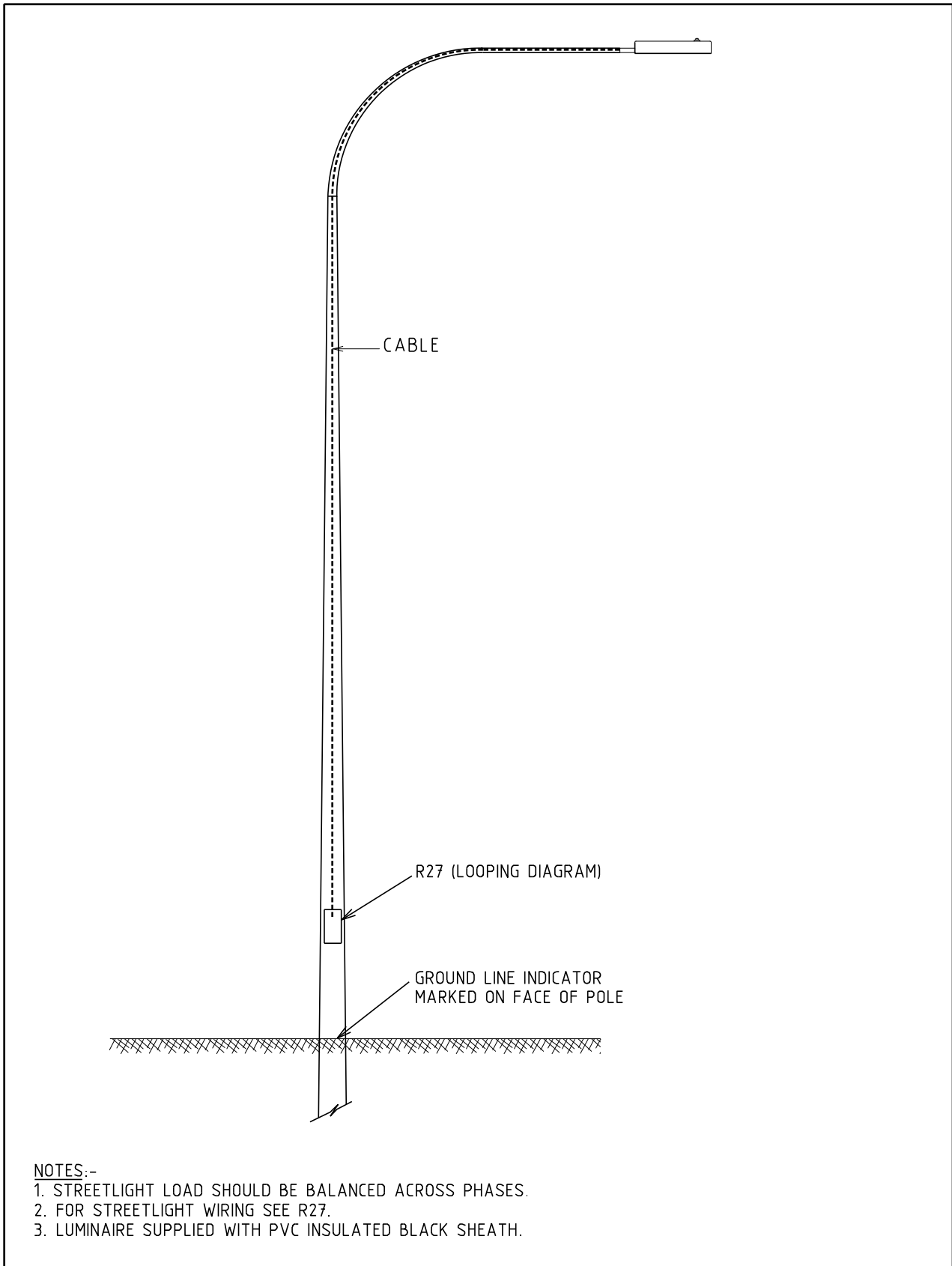


- NOTES:-
1. STREETLIGHT LOAD SHOULD BE BALANCED ACROSS PHASES.
 2. FOR STREETLIGHT WIRING SEE R27.
 3. LUMINAIRE SUPPLIED WITH PVC INSULATED BLACK SHEATH.

R27 (LOOPING DIAGRAM)

GROUND LINE INDICATOR
MARKED ON FACE OF POLE

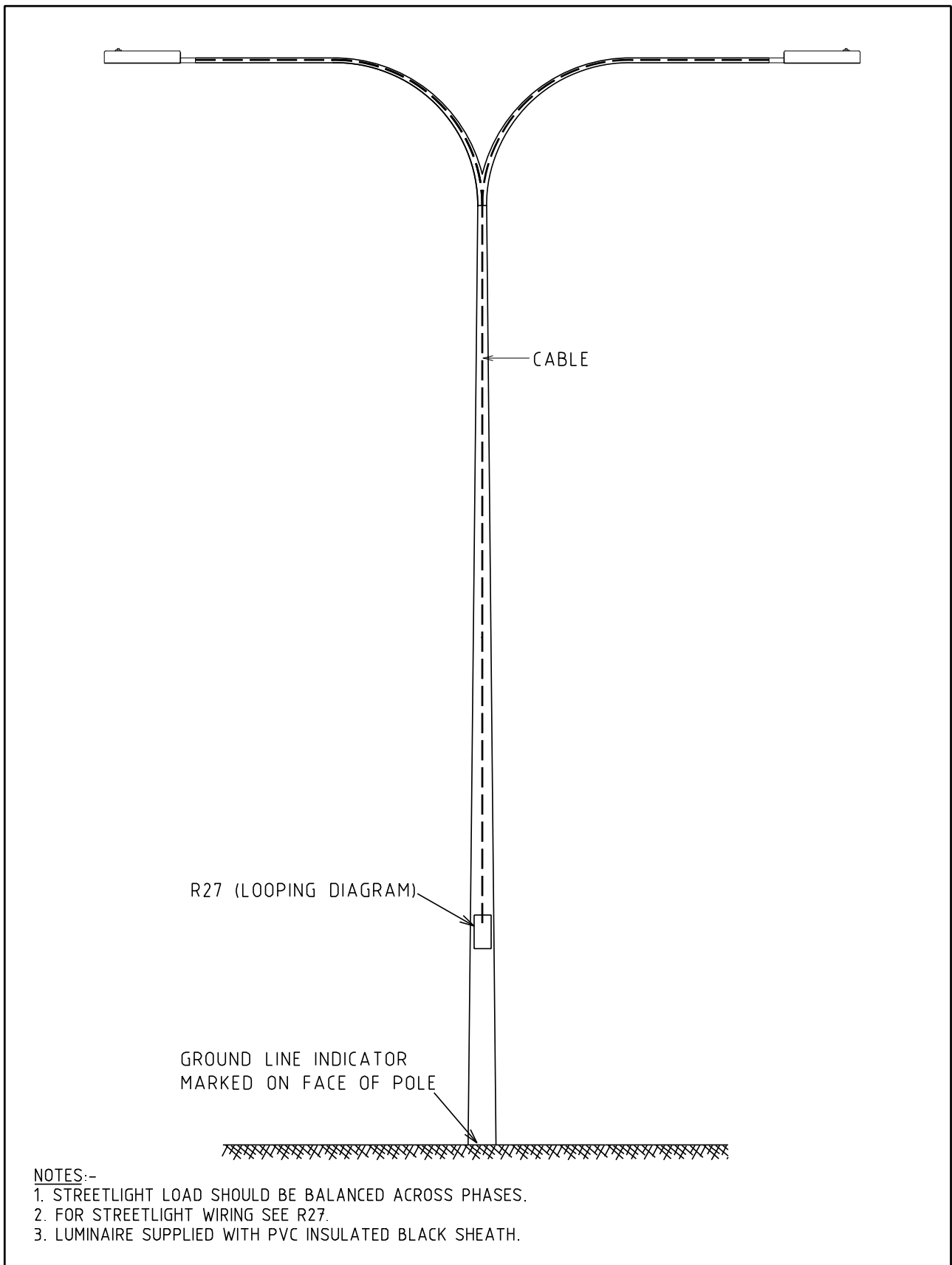
				STREET LIGHTING		DISTRIBUTION CONSTR. STANDARD		westernpower	
				DOUBLE OUTREACH STEEL STANDARD - 10.5m		DRAWN: JRR DATE: 25-03-2014		DRG. No. S10	
						ORIGINATED: SCALE: NTS			
						CHECKED: REE			
						APPROVED: GRANT STACY		REV: D SHT.	
REV	DATE	DESCRIPTION	ORGD.	CHKD.	APRD.				
D	10.09.19	NOTE AND DRAWING No. REVISED	REE	NN	GS				
C	16.08.18	LED ADDED AND NOTES REVISED	REE	JC	FK				
B	14.07.16	NOTE ABOUT CABLE REVISED	REE	JC	GS				
A	01.11.03	ORIGINAL ISSUE							



NOTES:-

1. STREETLIGHT LOAD SHOULD BE BALANCED ACROSS PHASES.
2. FOR STREETLIGHT WIRING SEE R27.
3. LUMINAIRE SUPPLIED WITH PVC INSULATED BLACK SHEATH.

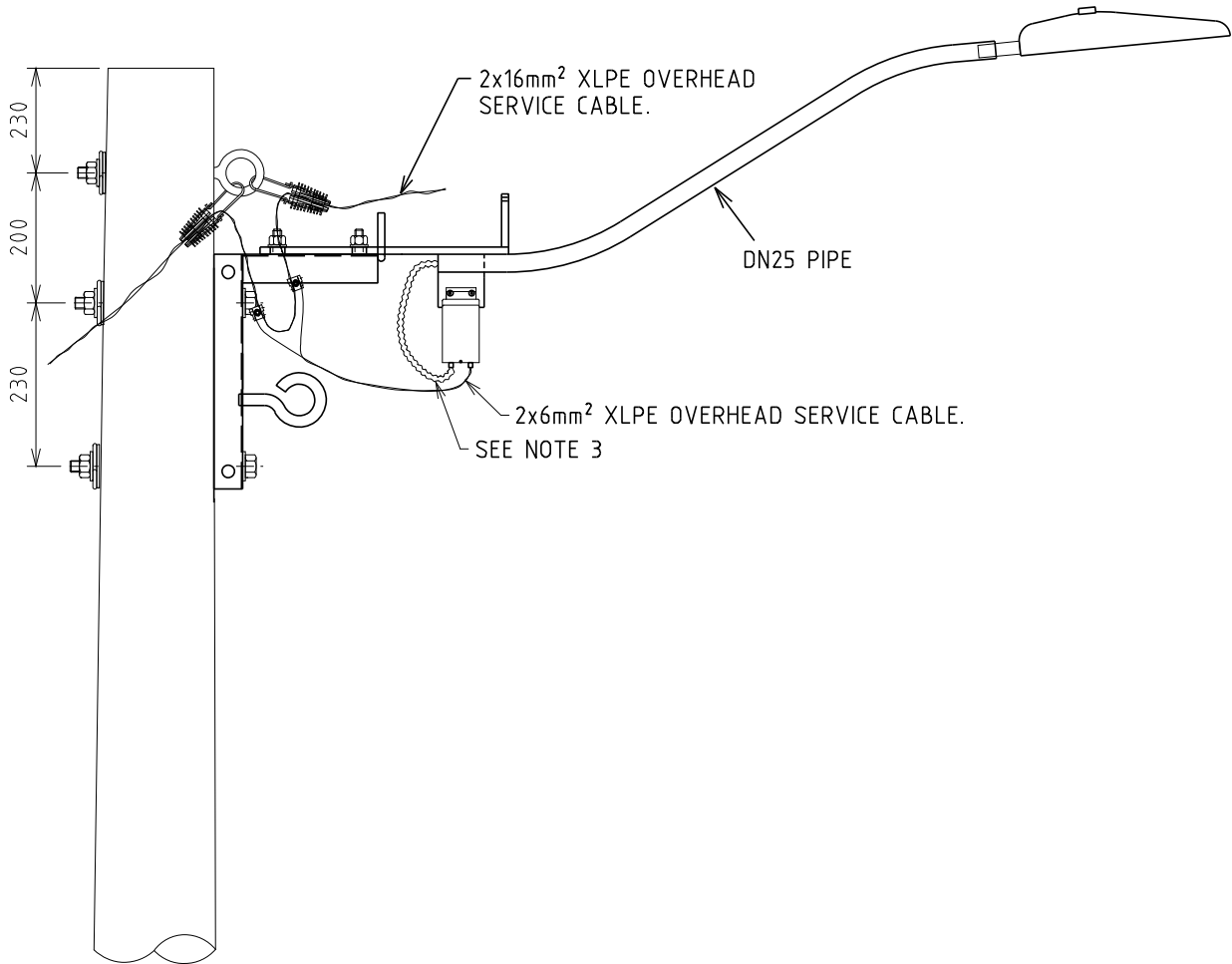
				STREET LIGHTING			DISTRIBUTION CONSTR. STANDARD			
				TITLE			DRAWN: JRR DATE: 26-03-2014		DRG. No.	
				SINGLE OUTREACH STEEL STANDARD - 12.5m			ORIGINATED: SCALE: NTS		S11	
							CHECKED: REE		REV. D SHT.	
							APPROVED: GRANT STACY			
REV	DATE	DESCRIPTION	ORGD.	CHKD.	APRO					
D	10.09.19	NOTE AND DRAWING No. REVISED	REE	NN	GS					
C	16.08.18	LED ADDED AND NOTES REVISED	REE	JC	FK					
B	14.07.16	CABLE NOTE REVISED	REE	JC	GS					
A	07.11.03	ORIGINAL ISSUE								



NOTES:-

1. STREETLIGHT LOAD SHOULD BE BALANCED ACROSS PHASES.
2. FOR STREETLIGHT WIRING SEE R27.
3. LUMINAIRE SUPPLIED WITH PVC INSULATED BLACK SHEATH.

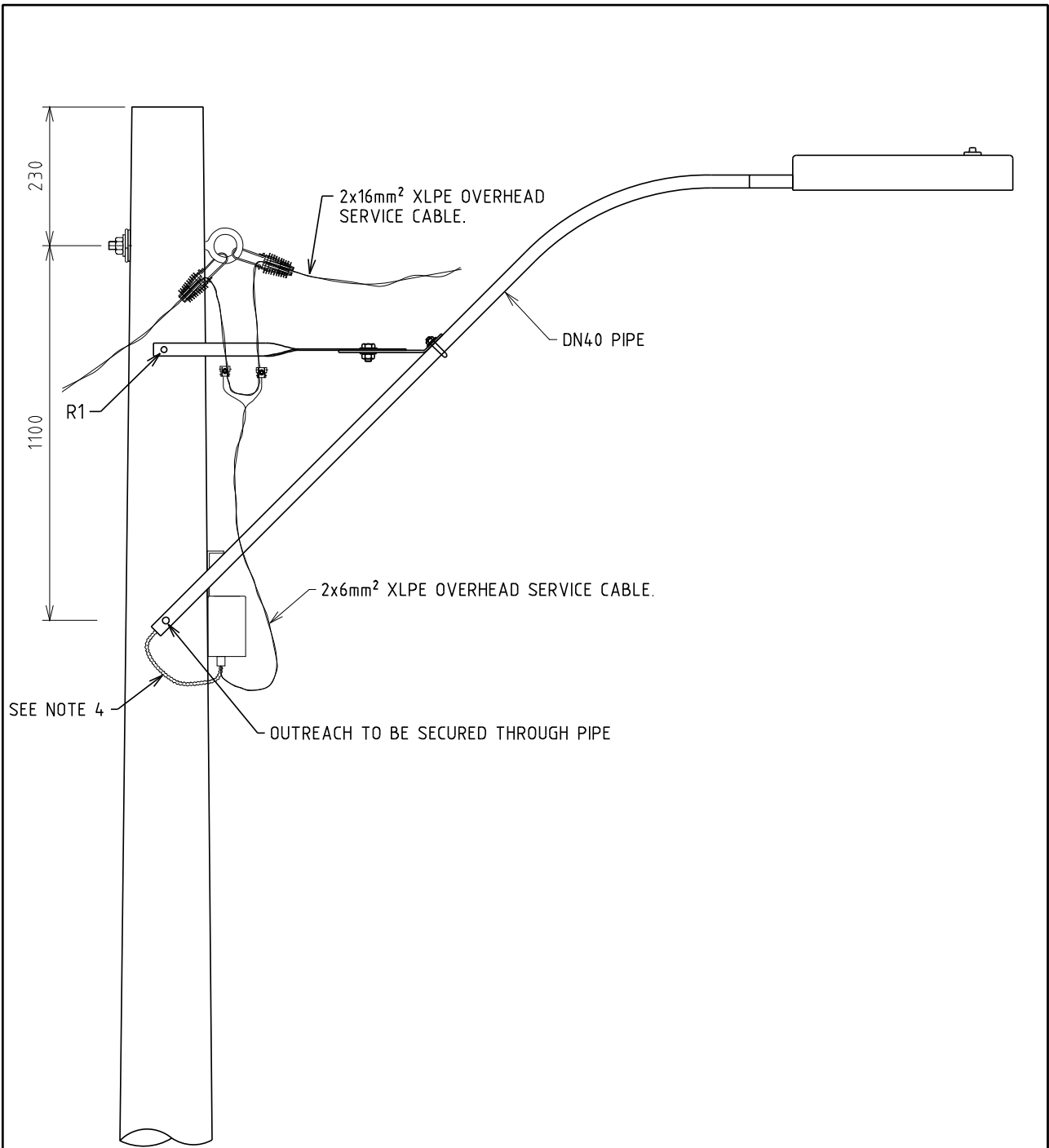
				STREET LIGHTING			DISTRIBUTION CONSTR. STANDARD			
D	10.09.19	NOTE AND DRAWING No. REVISED	REE	NN	GS	DOUBLE OUTREACH STEEL STANDARD - 12.5m		S12		
C	16.08.18	LED ADDED AND NOTES REVISED	REE	JC	FK					
B	14.07.16	CABLE NOTE REVISED	REE	JC	GS					
A	07.11.03	ORIGINAL ISSUE								
REV	DATE	DESCRIPTION	ORGD.	CHKD	APRD	APPROVED: GRANT STACY		REV: D	SHT.	



NOTES:-

1. STREETLIGHT LOAD SHOULD BE BALANCED ACROSS PHASES.
2. LUMINAIRE SUPPLIED WITH PVC INSULATED BLACK SHEATH.
3. TO PROVIDE PROTECTION AND BIRD PROOFING, INSTALL 20mm FLEXIBLE CONDUIT OR HOSE OVER CONDUCTOR. EXTEND 300mm INTO PIPE AND EXTEND TO FUSE BOX.
4. IF HV ATTACHED, EYEBOLT LOCATION IS EQUIVALENT TO LV KING BOLT ON HV DCSH DRAWINGS.

				STREETLIGHTING		DISTRIBUTION CONSTR. STANDARD			
				TITLE		DRAWN: JRR DATE: 26-03-2014		DRG. No.	
				STREETLIGHT FEED - MINOR ROAD WOOD POLE WITHOUT CROSSARM		ORIGINATED: SCALE: NTS		S19	
						CHECKED: REE			
						APPROVED: GRANT STACY		REV. G SHT.	
REV	DATE	DESCRIPTION	DRG.	CHKD.	APRD.				



NOTES:-

1. STREETLIGHT LOAD SHOULD BE BALANCED ACROSS PHASES.
2. CAN BE USED FOR MINOR ROADS WHERE THE DISTANCE BETWEEN CARRIAGEWAY AND POLE EXCEEDS 2.3m.
3. LUMINAIRE SUPPLIED WITH PVC INSULATED BLACK SHEATH.
4. TO PROVIDE PROTECTION AND BIRD PROOFING, INSTALL 20mm FLEXIBLE CONDUIT OR HOSE OVER CONDUCTOR. EXTEND 300mm INTO PIPE AND EXTEND TO FUSE BOX.

				STREETLIGHTING		DISTRIBUTION CONSTR. STANDARD			
				STREETLIGHT FEED		DRAWN: JRR		DATE: 26-03-2014	
				ARTERIAL ROAD		ORIGINATED:		SCALE: NTS	
				WOOD POLE WITHOUT CROSSARM		CHECKED: REE		S20	
						APPROVED: GRANT STACY		REV: K	
								SHT.	

REV	DATE	DESCRIPTION	ORGO.	CHKD.	APRD.
K	11.01.21	FLEXIBLE CONDUIT DETAILS REVISED	REE	NN	GS
J	10.09.19	NOTE AND DRAWING No. REVISED	REE	NN	GS
H	11.07.19	SERVICE CABLE ANNOTATION ADDED	CO	REE	GS
G	31.08.18	OUTREACH INSTALLATION METHOD RECTIFIED	CO	REE	GS