

CU	CU Description
----	----------------

SL21_GRACE		Glare shield for Road Grace LED			
------------	--	---------------------------------	--	--	--

ITEM NUMBER	STOCK CODE	DESCRIPTION	QTY REQD	UNIT OF MEASURE	REMARKS
1	HL0740	Glare shield for Road Grace (Philips) luminaire	1	ea	

SL21_FLR_4L		Glare shield for Flair 80W LED			
-------------	--	--------------------------------	--	--	--

ITEM NUMBER	STOCK CODE	DESCRIPTION	QTY REQD	UNIT OF MEASURE	REMARKS
1	HL0741	Glare shield for Road Flair (Philips) luminaire	1	ea	

SL21_FLR_5L		Glare shield for Flair 160W LED			
-------------	--	---------------------------------	--	--	--

ITEM NUMBER	STOCK CODE	DESCRIPTION	QTY REQD	UNIT OF MEASURE	REMARKS
1	HL0742	Glare shield for Road Flair (Philips) luminaire	1	ea	

SL21_FLR_6L		Glare shield for Flair 170W LED			
-------------	--	---------------------------------	--	--	--

ITEM NUMBER	STOCK CODE	DESCRIPTION	QTY REQD	UNIT OF MEASURE	REMARKS
1	HL0743	Glare shield for Road Flair (Philips) luminaire	1	ea	

SL21_FLR_4E		Glare shield for Flair 80W LED			
-------------	--	--------------------------------	--	--	--

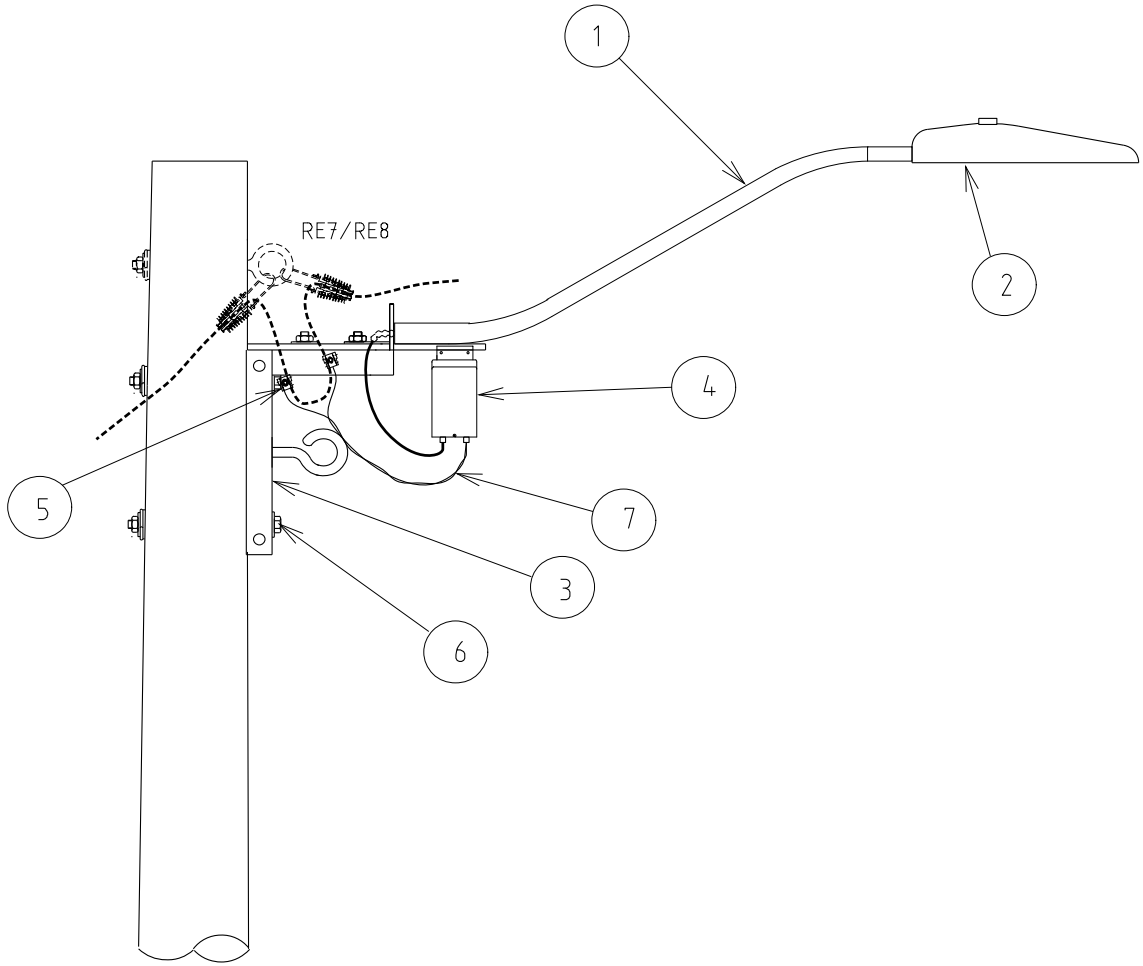
ITEM NUMBER	STOCK CODE	DESCRIPTION	QTY REQD	UNIT OF MEASURE	REMARKS
1	HL0741	Glare shield for Road Flair (Philips) luminaire	1	ea	

SL21_FLR_5E		Glare shield for Flair 160W LED			
-------------	--	---------------------------------	--	--	--

ITEM NUMBER	STOCK CODE	DESCRIPTION	QTY REQD	UNIT OF MEASURE	REMARKS
1	HL0742	Glare shield for Road Flair (Philips) luminaire	1	ea	

SL21_FLR_6E		Glare shield for Flair 170W LED			
-------------	--	---------------------------------	--	--	--

ITEM NUMBER	STOCK CODE	DESCRIPTION	QTY REQD	UNIT OF MEASURE	REMARKS
1	HL0743	Glare shield for Road Flair (Philips) luminaire	1	ea	



- NOTES:-
1. IF ARTERIAL LIGHTING IS TO BE FITTED TO MINOR ROAD LAYOUT REFER TO SL18 FOR BRACKETS.
 2. REMOVE MINOR ROAD LUMINAIRE AND REPLACE WITH ARTERIAL ROAD LUMINAIRE REQUIREMENT.

(FOR LED LUMINAIRES)

						COMPATIBLE UNIT		DISTRIBUTION DESIGN CATALOGUE		westernpower	
				TITLE		STREET LIGHT FEED MINOR ROAD WOOD POLE WITHOUT CROSSARM		DRAWN: JRR DATE: 22-04-2014		DRG. No.	
								ORIGINATED: SCALE: NTS		SL23-1	
								CHECKED: REE		REV. SHT.	
								APPROVED: GRANT STACY		B	
REV	DATE	DESCRIPTION	ORGO.	CHKD.	APRD.						
B	17.08.18	LED LUMINAIRE ADDED		REE	JC	FK					
A	08.08.01	ORIGINAL ISSUE									



CU	CU Description
----	----------------

Colour Temperature 4000

SL23_1L Streetlight Feed - Minor road Wood pole without xarm_20W LED (equiv 42W CFL)					
ITEM NUMBER	STOCK CODE	DESCRIPTION	QTY REQD	UNIT OF MEASURE	REMARKS
1	CB0424	bracket	1		
2	HL6300	LED Luminaire with 8m cable	1		
2	HL5557	NEMA base PE Cell	1		
3	CB3020	universal bracket with nuts and bolts	1		
4	GF1804	Fuse holder with no fuse	1		
4	GF0925	10amp fuse	1		
5	CC0063	IPC - 16mm XLPE to 4mm conductor	2		
6	AB6732	pole bolt - 16 dia x 550lg with nuts& Washers	2		
7	EE1120	6mm copper xlpe	1	metres	

SL23_2L Streetlight Feed - Minor road Wood pole without xarm_53W LED (equiv 125W MV)					
ITEM NUMBER	STOCK CODE	DESCRIPTION	QTY REQD	UNIT OF MEASURE	REMARKS
1	CB0424	bracket	1		
2	HL6303	LED Luminaire with 8m cable	1		
2	HL5557	NEMA base PE Cell	1		
3	CB3020	universal bracket with nuts and bolts	1		
4	GF1804	Fuse holder with no fuse	1		
4	GF0925	10amp fuse	1		
5	CC0063	IPC - 16mm XLPE to 4mm conductor	2		
6	AB6732	pole bolt - 16 dia x 550lg with nuts& Washers	2		
7	EE1120	6mm copper xlpe	1	metres	

SL23_3L Streetlight Feed - Minor road Wood pole without xarm_36W LED (equiv 70W MH & HPS)					
ITEM NUMBER	STOCK CODE	DESCRIPTION	QTY REQD	UNIT OF MEASURE	REMARKS
1	CB0424	bracket	1		
2	HL6306	LED Luminaire with 8m cable	1		
2	HL5557	NEMA base PE Cell	1		
3	CB3020	universal bracket with nuts and bolts	1		
4	GF1804	Fuse holder with no fuse	1		
4	GF0925	10amp fuse	1		
5	CC0063	IPC - 16mm XLPE to 4mm conductor	2		
6	AB6732	pole bolt - 16 dia x 550lg with nuts& Washers	2		
7	EE1120	6mm copper xlpe	1	metres	

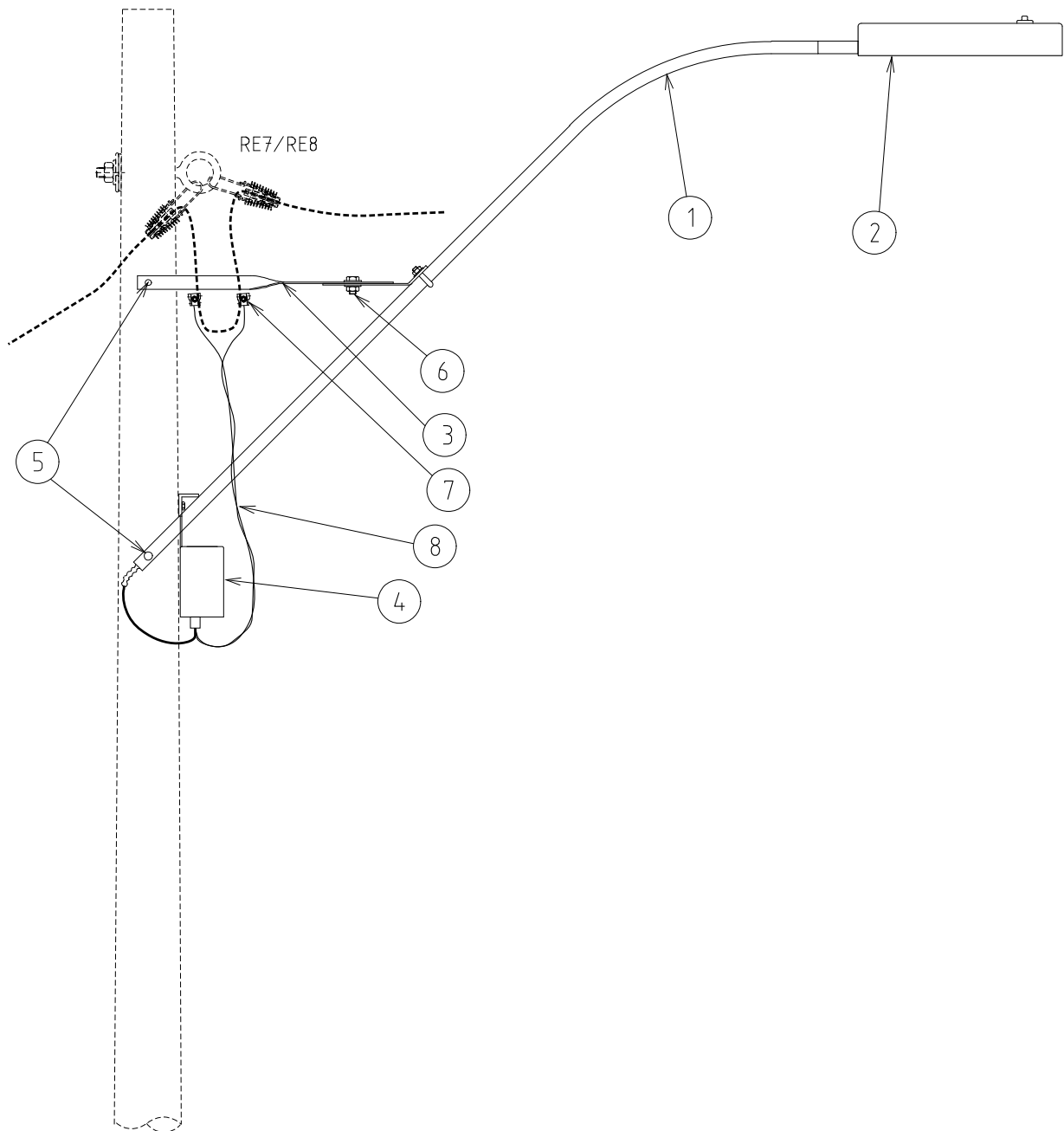
CU	CU Description
----	----------------

Colour Temperature 3000

SL23_1E Streetlight Feed - Minor road Wood pole without xarm_20W LED (equiv 42W CFL)					
ITEM NUMBER	STOCK CODE	DESCRIPTION	QTY REQD	UNIT OF MEASURE	REMARKS
1	CB0424	bracket	1		
2	HL6301	LED Luminaire with 8m cable	1		
2	HL5557	NEMA base PE Cell	1		
3	CB3020	universal bracket with nuts and bolts	1		
4	GF1804	Fuse holder with no fuse	1		
4	GF0925	10amp fuse	1		
5	CC0063	IPC - 16mm XLPE to 4mm conductor	2		
6	AB6732	pole bolt - 16 dia x 550lg with nuts& Washers	2		
7	EE1120	6mm copper xlpe	1	metres	

SL23_2E Streetlight Feed - Minor road Wood pole without xarm_53W LED (equiv 125W MV)					
ITEM NUMBER	STOCK CODE	DESCRIPTION	QTY REQD	UNIT OF MEASURE	REMARKS
1	CB0424	bracket	1		
2	HL6304	LED Luminaire with 8m cable	1		
2	HL5557	NEMA base PE Cell	1		
3	CB3020	universal bracket with nuts and bolts	1		
4	GF1804	Fuse holder with no fuse	1		
4	GF0925	10amp fuse	1		
5	CC0063	IPC - 16mm XLPE to 4mm conductor	2		
6	AB6732	pole bolt - 16 dia x 550lg with nuts& Washers	2		
7	EE1120	6mm copper xlpe	1	metres	

SL23_3E Streetlight Feed - Minor road Wood pole without xarm_36W LED (equiv 70W MH & HPS)					
ITEM NUMBER	STOCK CODE	DESCRIPTION	QTY REQD	UNIT OF MEASURE	REMARKS
1	CB0424	bracket	1		
2	HL6307	LED Luminaire with 8m cable	1		
2	HL5557	NEMA base PE Cell	1		
3	CB3020	universal bracket with nuts and bolts	1		
4	GF1804	Fuse holder with no fuse	1		
4	GF0925	10amp fuse	1		
5	CC0063	IPC - 16mm XLPE to 4mm conductor	2		
6	AB6732	pole bolt - 16 dia x 550lg with nuts& Washers	2		
7	EE1120	6mm copper xlpe	1	metres	



NOTES:-

1. IF MINOR ROAD LIGHTING IS TO BE FITTED TO ARTERIAL ROAD LAYOUT REFER TO SL18 FOR BRACKETS.
2. REMOVE ARTERIAL ROAD LUMINAIRE AND REPLACE WITH MINOR ROAD LUMINAIRE REQUIREMENT.

(FOR LED LUMINAIRES)

				COMPATIBLE UNIT		DISTRIBUTION DESIGN CATALOGUE		westernpower	
				TITLE		DRAWN: JRR DATE: 22-04-2014 DRG. No.			
				STREET LIGHT FEED		ORIGINATED: SCALE: NTS		SL24-1	
				ARTERIAL ROAD		CHECKED: REE			
				WOOD POLE WITHOUT CROSSARM		APPROVED: GRANT STACY		REV. B SHT.	
REV	DATE	DESCRIPTION	ORGD.	CHKD.	APRD.				
B	17.08.18	LED LUMINAIRE ADDED		REE	JC	FK			
A	22.04.13	ORIGINAL ISSUE							

CU	CU Description
----	----------------

Colour Temperature 4000

SL24_4L Streetlight Feed - Arterial road Wood pole without xarm_80W LED (equiv 150W HPS & MH)					
ITEM NUMBER	STOCK CODE	DESCRIPTION	QTY REQD	UNIT OF MEASURE	REMARKS
1	CB0278	bracket with nuts & bolts	1		
2	HL6309	LED Luminaire with 15m cable	1		
2	HL5557	NEMA base PE Cell	1		
3	CB0548	twisted bracket	2		
4	GF1804	Fuse holder with no fuse	1		
4	GF0925	10amp fuse	1		
5	AB6741	pole bolt - 12 dia supplied with nuts& Washers	2		
6	AB4551	12 dia bolt 40 long with nut	1		
7	CC0063	IPC - 16mm XLPE to 4mm conductor	2		
8	EE1120	6mm copper xlpe	2	metres	

SL24_5L Streetlight Feed - Arterial road Wood pole without xarm_160W LED (equiv 250W MH)					
ITEM NUMBER	STOCK CODE	DESCRIPTION	QTY REQD	UNIT OF MEASURE	REMARKS
1	CB0278	bracket with nuts & bolts	1		
2	HL6312	LED Luminaire with 15m cable	1		
2	HL5557	NEMA base PE Cell	1		
3	CB0548	twisted bracket	2		
4	GF1804	Fuse holder with no fuse	1		
4	GF0925	10amp fuse	1		
5	AB6741	pole bolt - 12 dia supplied with nuts& Washers	2		
6	AB4551	12 dia bolt 40 long with nut	1		
7	CC0063	IPC - 16mm XLPE to 4mm conductor	2		
8	EE1120	6mm copper xlpe	2	metres	

SL24_6L Streetlight Feed - Arterial road Wood pole without xarm_170W LED (equiv 250W HPS)					
ITEM NUMBER	STOCK CODE	DESCRIPTION	QTY REQD	UNIT OF MEASURE	REMARKS
1	CB0278	bracket with nuts & bolts	1		
2	HL6315	LED Luminaire with 15m cable	1		
2	HL5557	NEMA base PE Cell	1		
3	CB0548	twisted bracket	2		
4	GF1804	Fuse holder with no fuse	1		
4	GF0925	10amp fuse	1		
5	AB6741	pole bolt - 12 dia supplied with nuts& Washers	2		
6	AB4551	12 dia bolt 40 long with nut	1		
7	CC0063	IPC - 16mm XLPE to 4mm conductor	2		
8	EE1120	6mm copper xlpe	2	metres	

CU	CU Description
----	----------------

Colour Temperature 3000

SL24_4E Streetlight Feed - Arterial road Wood pole without xarm_80W LED (equiv 150W HPS & MH)					
ITEM NUMBER	STOCK CODE	DESCRIPTION	QTY REQD	UNIT OF MEASURE	REMARKS
1	CB0278	bracket with nuts & bolts	1		
2	HL6310	LED Luminaire with 15m cable	1		
2	HL5557	NEMA base PE Cell	1		
3	CB0548	twisted bracket	2		
4	GF1804	Fuse holder with no fuse	1		
4	GF0925	10amp fuse	1		
5	AB6741	pole bolt - 12 dia supplied with nuts& Washers	2		
6	AB4551	12 dia bolt 40 long with nut	1		
7	CC0063	IPC - 16mm XLPE to 4mm conductor	2		
8	EE1120	6mm copper xlpe	2	metres	

SL24_5E Streetlight Feed - Arterial road Wood pole without xarm_160W LED (equiv 250W MH)					
ITEM NUMBER	STOCK CODE	DESCRIPTION	QTY REQD	UNIT OF MEASURE	REMARKS
1	CB0278	bracket with nuts & bolts	1		
2	HL6313	LED Luminaire with 15m cable	1		
2	HL5557	NEMA base PE Cell	1		
3	CB0548	twisted bracket	2		
4	GF1804	Fuse holder with no fuse	1		
4	GF0925	10amp fuse	1		
5	AB6741	pole bolt - 12 dia supplied with nuts& Washers	2		
6	AB4551	12 dia bolt 40 long with nut	1		
7	CC0063	IPC - 16mm XLPE to 4mm conductor	2		
8	EE1120	6mm copper xlpe	2	metres	

SL24_6E Streetlight Feed - Arterial road Wood pole without xarm_170W LED (equiv 250W HPS)					
ITEM NUMBER	STOCK CODE	DESCRIPTION	QTY REQD	UNIT OF MEASURE	REMARKS
1	CB0278	bracket with nuts & bolts	1		
2	HL6316	LED Luminaire with 15m cable	1		
2	HL5557	NEMA base PE Cell	1		
3	CB0548	twisted bracket	2		
4	GF1804	Fuse holder with no fuse	1		
4	GF0925	10amp fuse	1		
5	AB6741	pole bolt - 12 dia supplied with nuts& Washers	2		
6	AB4551	12 dia bolt 40 long with nut	1		
7	CC0063	IPC - 16mm XLPE to 4mm conductor	2		
8	EE1120	6mm copper xlpe	2	metres	