



---

# **Distribution Design Catalogue**

---

## **STREETLIGHTS**

### **Section 12**

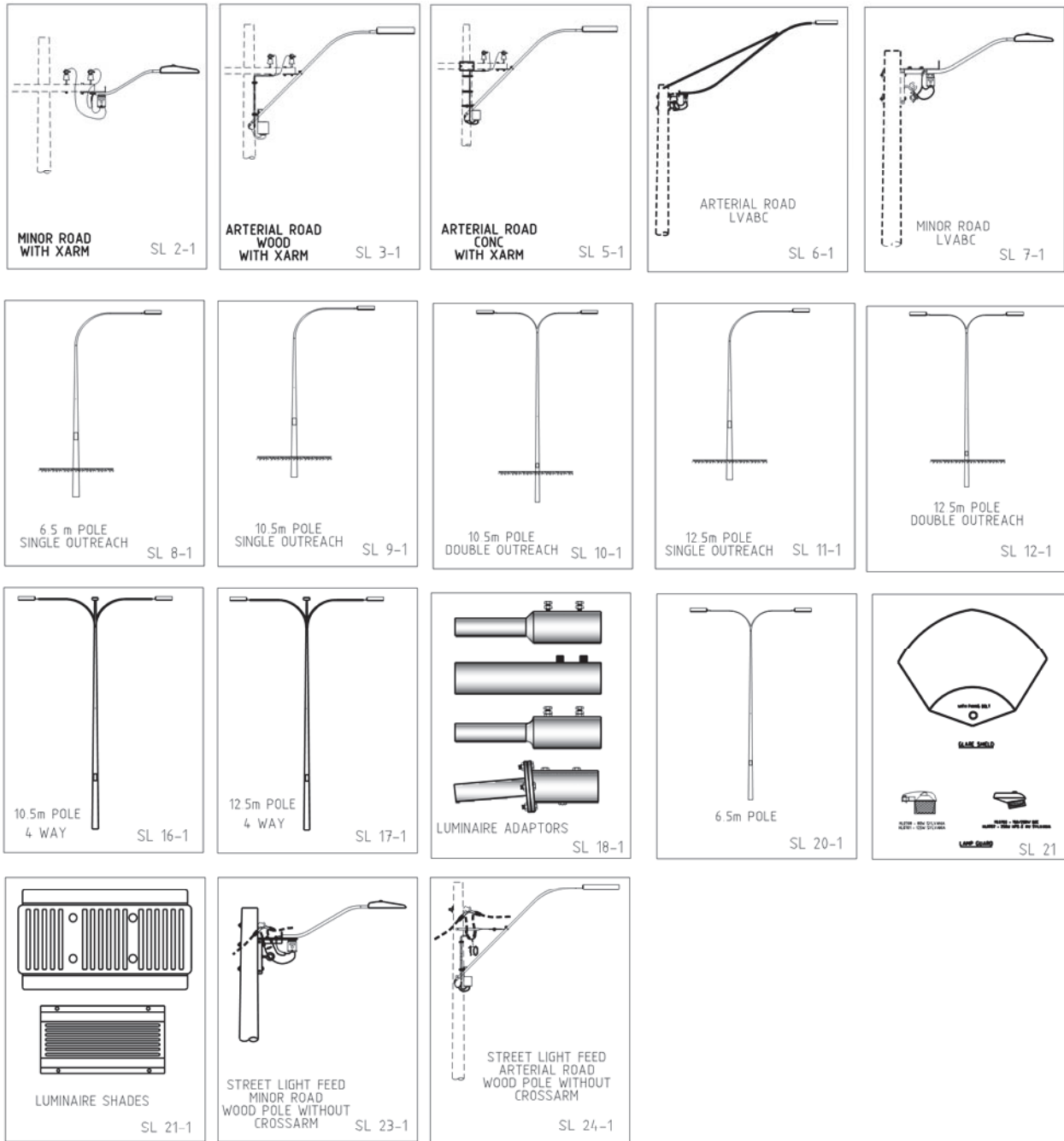
**Colour Temperature 4000(L)**

**Colour Temperature 3000(E)**

**© Copyright of Western Power  
ABN 18540492861**

## SL Drawings Revision List

CU	DATE	REVISION	DESCRIPTION OF REVISION
	Sept 2002		Original Issue
	May 2004		Major Update see Amendment List
	Dec 2004		Minor Update see Amendment List
	Oct 2005		Minor Corrections see Amendment List
	Feb 2006		Refer to Amendment List
	April 2006		Refer to Amendment List
	Sept 2007		Refer to Amendment List
	Mar 2008		Refer to Amendment List
	May 2009		Refer to Amendment List
	Dec 2009		Revised Format
	Oct 2010		Refer to Amendment List
	Apr 2012		Refer to Amendment List
	May 2013		Refer to Amendment List
	Jul 2013		Refer to Amendment List
	Jul 2014		Minor corrections in CU titles to match with ELLIPSE
	Oct 2014		Refer to Amendment List
	July 2015		Refer to Amendment List
	Dec 2015		Refer to Amendment List
	Aug 2016		Refer to Amendment List
	May 2017		Refer to Amendment List
	July 2017		Refer to Amendment List
	Jun 2018		Refer to Amendment List
	Aug 2018		LED Luminaire Section (Part 2) added
	Oct 2018		Refer to Amendment List
	Dec 2018		Refer to Amendment List
	Feb 2019		Refer to Amendment List
	Jun 2019		Refer to Amendment List
	Jul 2019		Refer to Amendment List
	Sep 2019		Refer to Amendment List
	Dec 2019		Refer to Amendment List
	Jun 2020		Refer to Amendment List



(FOR LED LUMINAIRES)

				COMPATIBLE UNIT				DISTRIBUTION DESIGN CATALOGUE			
				TITLE				DRAWN JRR DATE 17-04-2014 DRG No		SL INDEX-1	
				SL LED COMPATIBLE UNITS				ORIGINATED SCALE NTS		REV J SHT	
								CHECKED REE		APPROVED GRANT STACY	
REV	DATE	DESCRIPTION	ORGD	CHRD	APRD	REE	CO	GS			
J	17 08 18	REVISED TO SUIT LED LUMINAIRE									
H	13 06 13	ORIGINAL ISSUE									

## Streetlights CU List for Colour Temperature 4000

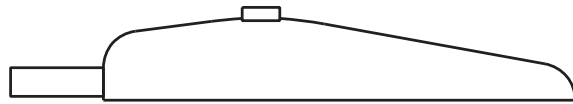
CU	CU DESCRIPTION
SL2_1L	Minor road Wood/conc. Pole with xarm_20W LED (equiv 42W CFL, 18W LED)
SL2_1L_MP	Minor road Wood/conc. Pole with xarm_20W LED menu price (equiv 42W CFL, 18W LED)
SL2_2L	Minor road Wood/conc. Pole with xarm_53W LED (equiv 125W MV)
SL2_2L_MP	Minor road Wood/conc. Pole with xarm_53W LED menu price (equiv 125W MV)
SL2_3L	Minor road Wood/conc. Pole with xarm_36W LED (equiv 70W MH & HPS)
SL2_3L_MP	Minor road Wood/conc. Pole with xarm_36W LED menu price (equiv 70W MH & HPS)
SL3_4L	Arterial road Wood pole with xarm_80W LED (equiv 150W HPS & MH)
SL3_4L_MP	Arterial road Wood pole with xarm_80W LED menu price (equiv 150W HPS & MH)
SL3_5L	Arterial road Wood pole with xarm_160W LED (equiv 250W MH)
SL3_5L_MP	Arterial road Wood pole with xarm_160W LED menu price (equiv 250W MH)
SL3_6L	Arterial road Wood pole with xarm_170W LED (equiv 250W HPS)
SL3_6L_MP	Arterial road Wood pole with xarm_170W LED menu price (equiv 250W HPS)
SL5_4L	Arterial road concrete poles with xarm_80W LED (equiv 150W HPS & MH)
SL5_4L_MP	Arterial road concrete pole with xarm_80W LED) menu price (equiv 150W HPS & MH)
SL5_5L	Arterial road concrete pole with xarm_160W LED (equiv 250W MH)
SL5_5L_MP	Arterial road concrete pole with xarm_160W LED menu price (equiv 250W MH)
SL5_6L	Arterial road concrete pole with xarm_170W LED (equiv 250W HPS)
SL5_5L_MP	Arterial road concrete pole with xarm_170W LED menu price (equiv 250W HPS)
SL6_4L	Arterial road LVABC_80W LED (equiv 150W HPS & MH)
SL6_4L_MP	Arterial road LVABC_80W LED menu price (equiv 150W HPS & MH)
SL6_5L	Arterial road LVABC_160W LED (equiv 250W MH)
SL6_5L_MP	Arterial road LVABC_160W LED menu price (equiv 250W MH)
SL6_6L	Arterial road LVABC_170W LED (equiv 250W HPS)
SL6_6L_MP	Arterial road LVABC_170W LED menu price (equiv 250W HPS)
SL7_1L	Minor Road LVABC_20W LED (equiv 42W CFL)
SL7_1L_MP	Minor Road LVABC_20W LED menu price (equiv 42W CFL)
SL7_2L	Minor Road LVABC_53W LED (equiv 125W MV)
SL7_2L_MP	Minor Road LVABC_53W LED menu price (equiv 125W MV)
SL7_3L	Minor Road LVABC_36W LED (equiv 70W MH & HPS)
SL7_3L_MP	Minor Road LVABC_36W LED menu price (equiv 70W MH & HPS)
SL8_1L	Single outreach steel standard 6.5m_20W LED (equiv 42W CFL)
SL8_2L	Single outreach steel standard 6.5m_53W LED (equiv 125W MV)
SL9_4L	Single outreach steel standard 10.5m_80W LED (equiv 150W HPS & MH)
SL9_5L	Single outreach steel standard 10.5m_160W LED (equiv 250W MH)
SL9_6L	Single outreach steel standard 10.5m_170W LED (equiv 250W Hps)
SL10_4L	Double outreach steel standard 10.5m 80W LED (equiv 150W HPS & MH)
SL10_5L	Double outreach steel standard 10.5m 160W LED (equiv 250W MH)
SL10_6L	Double outreach steel standard 10.5m 170W LED (equiv 250W HPS)
SL11_4L	Single Outreach steel standard 12.5m 80W LED (equiv 150W HPS & MH)
SL11_5L	Single outreach steel standard 12.5m 160W LED (equiv 250W MH)

CU	CU DESCRIPTION
SL11_6L	Single outreach steel standard 12.5m 170W LED (equiv 250W HPS)
SL12_4L	Double outreach steel standard 12.5m 80W LED (equiv 150W HPS & MH)
SL12_5L	Double outreach steel standard 12.5m 160W LED (equiv 250W MH)
SL12_6L	Double outreach steel standard 12.5m 170W LED (equiv 250W HPS)
SL16_4L	4 Way outreach steel standard 10.5m_80W LED (equiv 150W HPS & MH)
SL16_5L	4 Way outreach steel standard 10.5m_160W LED (equiv 250W MH)
SL16_6L	4 Way outreach steel standard 10.5m_170W LED (equiv 250W HPS)
SL17_4L	4 Way outreach steel standard 12.5m_80W LED (equiv 150W HPS & MH)
SL17_5L	4 Way outreach steel standard 12.5m_160W LED (equiv 250W MH)
SL17_6L	4 Way outreach steel standard 12.5m_170W LED (equiv 250W HPS)
SL18_GRACE	Luminaire adaptor for RoadGrace LED (equiv 42W CFL, 125W MH & HPS)
SL18_FLAIR	Luminaire adaptor for RoadFlair LED (equiv 150/250 MH & HPS)
SL18_BOURKE	Luminaire adaptor to fit - Bourke Hill Luminaire
SL20_1L	Double outreach steel standard 6.5m 20W LED (equiv 42W CFL)
SL20_2L	Double outreach steel standard 6.5m 53W LED (equiv 125W MV)
SL20_3L	Double outreach steel standard 6.5m 36W LED (equiv 70W MH & HPS)
SL21_SHADEMP	Light shade installation menu price
SL21_42	Glare shield for 42W CFL SL
SL21_70B	Glare shield (Back) for 70W & 125W SL
SL21_70FB	Glare shield (Front & Back) for 70W & 125W SL
SL21_80	Glare shield for 50W & 80W MV SL
SL21_150	Glare shield for 150W & 250W SL
SL21_GRACE	Glare shield for Road Grace LED
SL21_FLR_4L	Glare shield for Flair 80W LED
SL21_FLR_5L	Glare shield for Flair 160W LED
SL21_FLR_6L	Glare shield for Flair 170W LED
SL23_1L	Streetlight Feed - Minor road Wood pole without xarm_20W LED (equiv 42W CFL)
SL23_2L	Streetlight Feed - Minor road Wood pole without xarm_53W LED (equiv 125W MV)
SL23_3L	Streetlight Feed - Minor road Wood pole without xarm_36W LED (equiv 70W MH & HPS)
SL24_4L	Streetlight Feed - Arterial road Wood pole without xarm_80W LED (equiv 150W HPS & MH)
SL24_5L	Streetlight Feed - Arterial road Wood pole without xarm_160W LED (equiv 250W MH)
SL24_6L	Streetlight Feed - Arterial road Wood pole without xarm_150W LED (equiv 250W HPS)

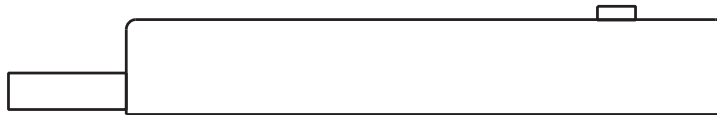
## Streetlights LED CU List for Colour Temperature 3000

CU	CU DESCRIPTION
SL2_1E	Minor road Wood/conc. Pole with xarm _20W LED (equiv 42W CFL, 18W LED)
SL2_1E_MP	Minor road Wood/conc. Pole with xarm _20W LED menu price (equiv 42W CFL, 18W LED)
SL2_2E	Minor road Wood/conc. Pole with xarm _53W LED (equiv 125W MV)
SL2_2E_MP	Minor road Wood/conc. Pole with xarm _53W LED menu price (equiv 125W MV)
SL2_3E	Minor road Wood/conc. Pole with xarm _36W LED (equiv 70W MH & HPS)
SL2_3E_MP	Minor road Wood/conc. Pole with xarm _36W LED menu price (equiv 70W MH & HPS)
SL3_4E	Arterial road Wood pole with xarm_80W LED (equiv 150W HPS & MH)
SL3_4E_MP	Arterial road Wood pole with xarm_80W LED menu price (equiv 150W HPS & MH)
SL3_5E	Arterial road Wood pole with xarm_160W LED (equiv 250W MH)
SL3_5E_MP	Arterial road Wood pole with xarm_160W LED menu price (equiv 250W MH)
SL3_6E	Arterial road Wood pole with xarm_170W LED (equiv 250W HPS)
SL3_6E_MP	Arterial road Wood pole with xarm_170W LED menu price (equiv 250W HPS)
SL5_4E	Arterial road concrete poles with xarm_80W LED (equiv 150W HPS & MH)
SL5_4E_MP	Arterial road concrete pole with xarm_80W LED) menu price (equiv 150W HPS & MH)
SL5_5E	Arterial road concrete pole with xarm_160W LED (equiv 250W MH)
SL5_5E_MP	Arterial road concrete pole with xarm_160W LED menu price (equiv 250W MH)
SL5_6E	Arterial road concrete pole with xarm_170W LED (equiv 250W HPS)
SL5_5E_MP	Arterial road concrete pole with xarm_170W LED menu price (equiv 250W HPS)
SL6_4E	Arterial road LVABC_80W LED (equiv 150W HPS & MH)
SL6_4E_MP	Arterial road LVABC_80W LED menu price (equiv 150W HPS & MH)
SL6_5E	Arterial road LVABC_160W LED (equiv 250W MH)
SL6_5E_MP	Arterial road LVABC_160W LED menu price (equiv 250W MH)
SL6_6E	Arterial road LVABC_170W LED (equiv 250W HPS)
SL6_6E_MP	Arterial road LVABC_170W LED menu price (equiv 250W HPS)
SL7_1E	Minor Road LVABC_20W LED (equiv 42W CFL)
SL7_1E_MP	Minor Road LVABC_20W LED menu price (equiv 42W CFL)
SL7_2E	Minor Road LVABC_53W LED (equiv 125W MV)
SL7_2E_MP	Minor Road LVABC_53W LED menu price (equiv 125W MV)
SL7_3E	Minor Road LVABC_36W LED (equiv 70W MH & HPS)
SL7_3E_MP	Minor Road LVABC_36W LED menu price (equiv 70W MH & HPS)
SL8_1E	Single outreach steel standard 6.5m_20W LED (equiv 42W CFL)
SL8_2E	Single outreach steel standard 6.5m_53W LED (equiv 125W MV)
SL9_4E	Single outreach steel standard 10.5m_80W LED (equiv 150W HPS & MH)
SL9_5E	Single outreach steel standard 10.5m_160W LED (equiv 250W MH)
SL9_6E	Single outreach steel standard 10.5m_170W LED (equiv 250W Hps)
SL10_4E	Double outreach steel standard 10.5m 80W LED (equiv 150W HPS & MH)

CU	CU DESCRIPTION
SL10_5E	Double outreach steel standard 10.5m 160W LED (equiv 250W MH)
SL10_6E	Double outreach steel standard 10.5m 170W LED (equiv 250W HPS)
SL11_4E	Single Outreach steel standard 12.5m 80W LED (equiv 150W HPS & MH)
SL11_5E	Single outreach steel standard 12.5m 160W LED (equiv 250W MH)
SL11_6E	Single outreach steel standard 12.5m 170W LED (equiv 250W HPS)
SL12_4E	Double outreach steel standard 12.5m 80W LED (equiv 150W HPS & MH)
SL12_5E	Double outreach steel standard 12.5m 160W LED (equiv 250W MH)
SL12_6E	Double outreach steel standard 12.5m 170W LED (equiv 250W HPS)
SL16_4E	4 Way outreach steel standard 10.5m_80W LED (equiv 150W HPS & MH)
SL16_5E	4 Way outreach steel standard 10.5m_160W LED (equiv 250W MH)
SL16_6E	4 Way outreach steel standard 10.5m_170W LED (equiv 250W HPS)
SL17_4E	4 Way outreach steel standard 12.5m_80W LED (equiv 150W HPS & MH)
SL17_5E	4 Way outreach steel standard 12.5m_160W LED (equiv 250W MH)
SL17_6E	4 Way outreach steel standard 12.5m_170W LED (equiv 250W HPS)
SL18_GRACE	Luminaire adaptor for RoadGrace LED (equiv 42W CFL, 125W MH & HPS)
SL18_FLAIR	Luminaire adaptor for RoadFlair LED (equiv 150/250 MH & HPS)
SL18_BOURKE	Luminaire adaptor to fit - Bourke Hill Luminaire
SL18_REDUCE	Luminaire adaptor RoadFlair to non-standard Columns
SL20_1E	Double outreach steel standard 6.5m 20W LED (equiv 42W CFL)
SL20_2E	Double outreach steel standard 6.5m 53W LED (equiv 125W MV)
SL20_3E	Double outreach steel standard 6.5m 36W LED (equiv 70W MH & HPS)
SL21_SHADEMP	Light shade installation menu price
SL21_42	Glare shield for 42W CFL SL
SL21_70B	Glare shield (Back) for 70W & 125W SL
SL21_70FB	Glare shield (Front & Back) for 70W & 125W SL
SL21_80	Glare shield for 50W & 80W MV SL
SL21_150	Glare shield for 150W & 250W SL
SL21_GRACE	Glare shield for Road Grace LED
SL21_FLR_4E	Glare shield for Flair 80W LED
SL21_FLR_5E	Glare shield for Flair 160W LED
SL21_FLR_6E	Glare shield for Flair 170W LED
SL23_1E	Streetlight Feed - Minor road Wood pole without xarm_20W LED (equiv 42W CFL)
SL23_2E	Streetlight Feed - Minor road Wood pole without xarm_53W LED (equiv 125W MV)
SL23_3E	Streetlight Feed - Minor road Wood pole without xarm_36W LED (equiv 70W MH & HPS)
SL24_4E	Streetlight Feed - Arterial road Wood pole without xarm_80W LED (equiv 150W HPS & MH)
SL24_5E	Streetlight Feed - Arterial road Wood pole without xarm_160W LED (equiv 250W MH)
SL24_6E	Streetlight Feed - Arterial road Wood pole without xarm_150W LED (equiv 250W HPS)



ROAD GRACE



ROAD FLAIR

EXISTING STOCK CODE	TRADITIONAL DESCRIPTION	CU LISTING CLASSIFICATION	LED STOCK CODE	LED DESCRIPTION CLASS II	CU LISTING CLASSIFICATION (4000)	CU LISTING CLASSIFICATION (3000)
HL6232	18W LED (DI ONLY)	_18	HL6300	20W WITH 8m CABLE	_1L	
			HL6301	20W WITH 8m CABLE		_1E
HL6231	42W CFL	_42	HL6300	20W WITH 8m CABLE	_1L	
			HL6301	20W WITH 8m CABLE		_1E
HL3340	50W MV	_50	HL6300	20W WITH 8m CABLE	_1L	
			HL6301	20W WITH 8m CABLE		_1E
HL3341	80W MV	_80	HL6300	20W WITH 8m CABLE	_1L	
			HL6301	20W WITH 8m CABLE		_1E
HL6140	125W MV	_125	HL6303	53W WITH 15m CABLE	_2L	
			HL6304	53W WITH 15m CABLE		_2E
HL6143	70W HPS	_70	HL6306	36W WITH 8m CABLE	_3L	
			HL6307	36W WITH 8m CABLE		_3E
HL6147	70W MH	_70	HL6306	36W WITH 8m CABLE	_3L	
			HL6307	36W WITH 8m CABLE		_3E
HL6145	150W HPS	_150 & _150W	HL6309	80W WITH 15m CABLE	_4L	
			HL6310	80W WITH 15m CABLE		_4E
HL6148	150W MH	_150 MH	HL6309	80W WITH 15m CABLE	_4L	
			HL6310	80W WITH 15m CABLE		_4E
HL6149	250W MH	_250 MH	HL6312	160W WITH 15m CABLE	_5L	
			HL6313	160W WITH 15m CABLE		_5E
HL6146	250W HPS	_250 W	HL6315	170W WITH 15m CABLE	_6L	
			HL6316	170W WITH 15m CABLE		_6E

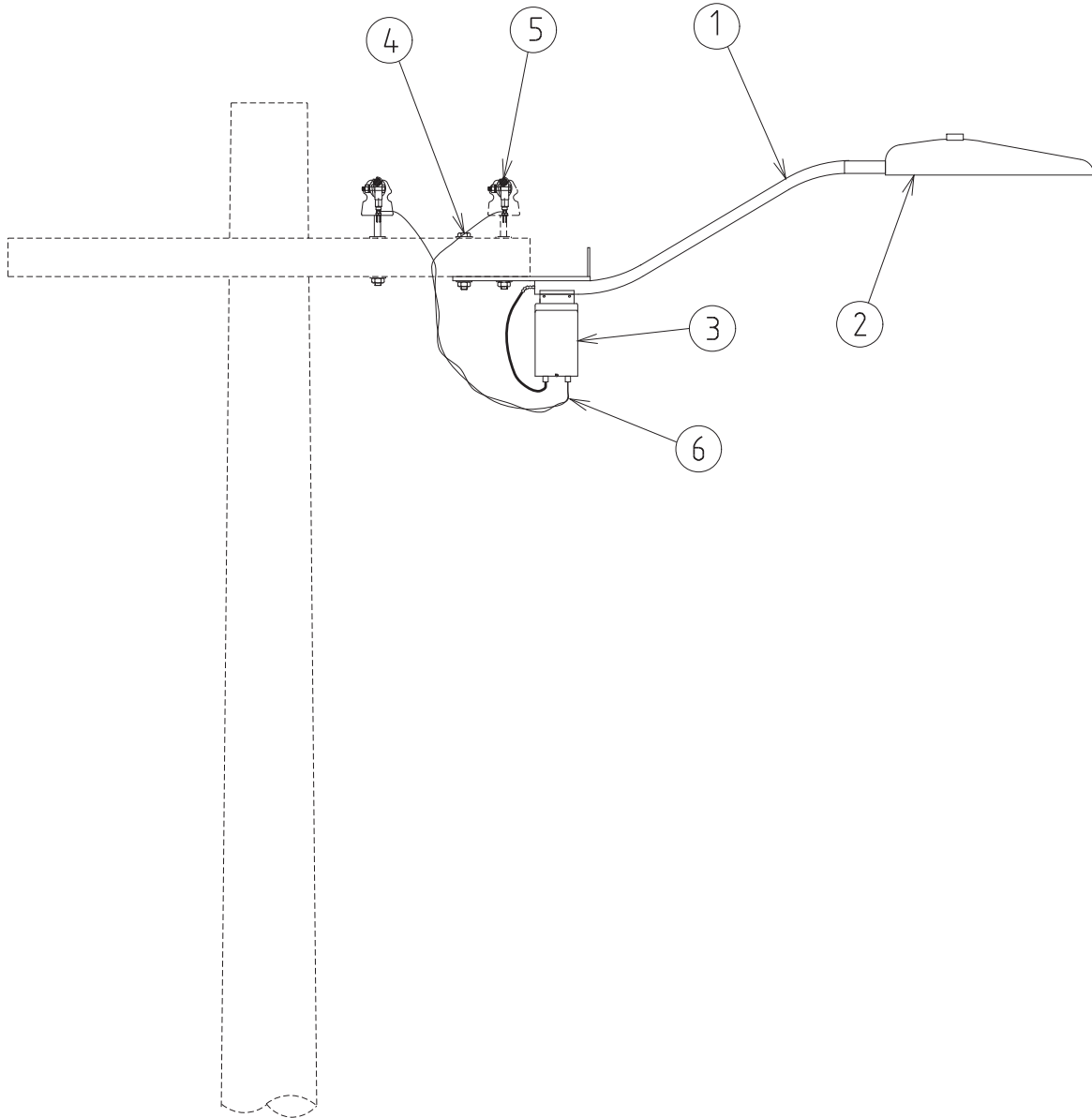
NOTE:-

1. SEE DM20 RANGE FOR SUITABLE BRACKET COMBINATIONS.

				COMPATIBLE UNIT			DISTRIBUTION DESIGN CATALOGUE				
F	18.09.19	18w LED DESCRIPTION UPDATED	REE	CO	FK	TITLE	DRAWN: JRR	DATE: 29-05-2018	ORG. No.		
E	04.09.19	TRADITIONAL DESCRIPTION UPDATED	REE	CO	GS	STANDARD LUMINAIRE - LED	ORIGINATED: REE	SCALE: NTS	SL-STD		
D	27.08.19	CU LISTING CLASSIFICATION REVISED	REE	NN	GS		CHECKED: JC				
C	07.08.19	LUMINAIRE HL6146 ADDED	REE	NN	GS		APPROVED:				
B	11.07.19	LUMINAIRE HL3340 & HL3341 ADDED	CO	REE	GS		GRANT STACY	REV. F		SHT.	
REV	DATE	DESCRIPTION	ORGD.	CHKD.	APRD.						







NOTES:-

1. IF ARTERIAL LIGHTING IS TO BE FITTED TO MINOR ROAD LAYOUT REFER TO SL18 FOR BRACKETS.
2. REMOVE MINOR ROAD LUMINAIRE AND REPLACE WITH ARTERIAL ROAD LUMINAIRE REQUIREMENT.

				COMPATIBLE UNIT			DISTRIBUTION DESIGN CATALOGUE		westernpower		
				TITLE			DRAWN: JRR		DATE: 17-06-2014		DRG. No.
				MINOR ROAD WOOD OR CONCRETE POLE WITH CROSSARM			ORIGINATED:		SCALE: NTS		SL02
				G 17.08.18 LED LUMINAIRE ADDED			CHECKED: REE		APPROVED: GRANT STACY		REV. G
				F 04.04.12 ORIGINAL ISSUE			APPROVED:				SHT.
REV	DATE	DESCRIPTION	ORGO.	CHKD.	APRD						

CU	CU Description
----	----------------

### Colour Temperature 4000

SL2_1L Minor road Wood/conc. Pole with xarm _20W LED (equiv 42W CFL, 18W LED)					
ITEM NUMBER	STOCK CODE	DESCRIPTION	QTY REQD	UNIT OF MEASURE	REMARKS
1	CB0424	bracket	1		
2	HL6300	Luminaire with 8m cable	1		
2	HL5557	PE Cell	1		
3	GF1804	Fuse holder with no fuse	1		
3	GF0925	10amp fuse	1		
4	AB4567	12 dia bolt 150 long with nut	1		
5	FC0110	clamp alum. 16mm	2		_FC016* if copper main
6	EE1120	6mm copper xlpe	2	metre	

SL2_1L_MP Minor road Wood/conc. Pole with xarm _20W LED_menu price (equiv 42W CFL, 18W LED)					
ITEM NUMBER	STOCK CODE	DESCRIPTION	QTY REQD	UNIT OF MEASURE	REMARKS
1	CB0424	bracket	1		
2	HL6300	Luminaire with 8m cable	1		
2	HL5557	PE Cell	1		
3	GF1804	Fuse holder with no fuse	1		
3	GF0925	10amp fuse	1		
4	AB4567	12 dia bolt 150 long with nut	1		
5	FC0110	clamp alum. 16mm	2		_FC016* if copper main
6	EE1120	6mm copper xlpe	2	metre	

SL2_2L Minor road Wood/conc. Pole with xarm _53W LED (equiv 125W MV)					
ITEM NUMBER	STOCK CODE	DESCRIPTION	QTY REQD	UNIT OF MEASURE	REMARKS
1	CB0424	bracket	1		
2	HL6303	Luminaire with 15m cable	1		
2	HL5557	PE Cell	1		
3	GF1804	Fuse holder with no fuse	1		
3	GF0925	10amp fuse	1		
4	AB4567	12 dia bolt 150 long with nut	1		
5	FC0110	clamp alum. 16mm	2		_FC016* if copper main
6	EE1120	6mm copper xlpe	2	metre	

<b>CU</b>	<b>CU Description</b>
-----------	-----------------------

<b>SL2_2L_MP Minor road Wood/conc. Pole with xarm _53W LED (equiv 125W MV) MENU PRICE</b>					
ITEM NUMBER	STOCK CODE	DESCRIPTION	QTY REQD	UNIT OF MEASURE	REMARKS
1	CB0424	bracket	1		
2	HL6303	LED Luminaire with 15m cable	1		
2	HL5557	NEMA base PE Cell	1		
3	GF1804	Fuse holder with no fuse	1		
3	GF0925	10amp fuse	1		
4	AB4567	12 dia bolt 150 long with nut	1		
5	FC0110	clamp alum. 16mm	2		_FC016* if copper main
6	EE1120	6mm copper xlpe	2	metre	

<b>SL2_3L Minor road Wood/conc. Pole with xarm _36W LED (equiv 70W MH &amp; HPS)</b>					
ITEM NUMBER	STOCK CODE	DESCRIPTION	QTY REQD	UNIT OF MEASURE	REMARKS
1	CB0424	bracket	1		
2	HL6306	Luminaire with 8m cable	1		
2	HL5557	PE Cell	1		
3	GF1804	Fuse holder with no fuse	1		
3	GF0925	10amp fuse	1		
4	AB4567	12 dia bolt 150 long with nut	1		
5	FC0110	clamp alum. 16mm	2		_FC016* if copper main
6	EE1120	6mm copper xlpe	2	metre	

<b>SL2_3L_MP Minor road Wood/conc. Pole with xarm _36W LED_menu_price (equiv 70W MH &amp; HPS)</b>					
ITEM NUMBER	STOCK CODE	DESCRIPTION	QTY REQD	UNIT OF MEASURE	REMARKS
1	CB0424	bracket	1		
2	HL6306	LED Luminaire with 8m cable	1		
2	HL5557	NEMA base PE Cell	1		
3	GF1804	Fuse holder with no fuse	1		
3	GF0925	10amp fuse	1		
4	AB4567	12 dia bolt 150 long with nut	1		
5	FC0110	clamp alum. 16mm	2		_FC016* if copper main
6	EE1120	6mm copper xlpe	2	metre	

CU	CU Description
----	----------------

### Colour Temperature 3000

SL2_1E Minor road Wood/conc. Pole with xarm _20W LED (equiv 42W CFL, 18W LED)					
ITEM NUMBER	STOCK CODE	DESCRIPTION	QTY REQD	UNIT OF MEASURE	REMARKS
1	CB0424	bracket	1		
2	HL6301	Luminaire with 8m cable	1		
2	HL5557	PE Cell	1		
3	GF1804	Fuse holder with no fuse	1		
3	GF0925	10amp fuse	1		
4	AB4567	12 dia bolt 150 long with nut	1		
5	FC0110	clamp alum. 16mm	2		_FC016* if copper main
6	EE1120	6mm copper xlpe	2	metre	

SL2_1E_MP Minor road Wood/conc. Pole with xarm _20W LED_menu price (equiv 42W CFL, 18W LED)					
ITEM NUMBER	STOCK CODE	DESCRIPTION	QTY REQD	UNIT OF MEASURE	REMARKS
1	CB0424	bracket	1		
2	HL6301	Luminaire with 8m cable	1		
2	HL5557	PE Cell	1		
3	GF1804	Fuse holder with no fuse	1		
3	GF0925	10amp fuse	1		
4	AB4567	12 dia bolt 150 long with nut	1		
5	FC0110	clamp alum. 16mm	2		_FC016* if copper main
6	EE1120	6mm copper xlpe	2	metre	

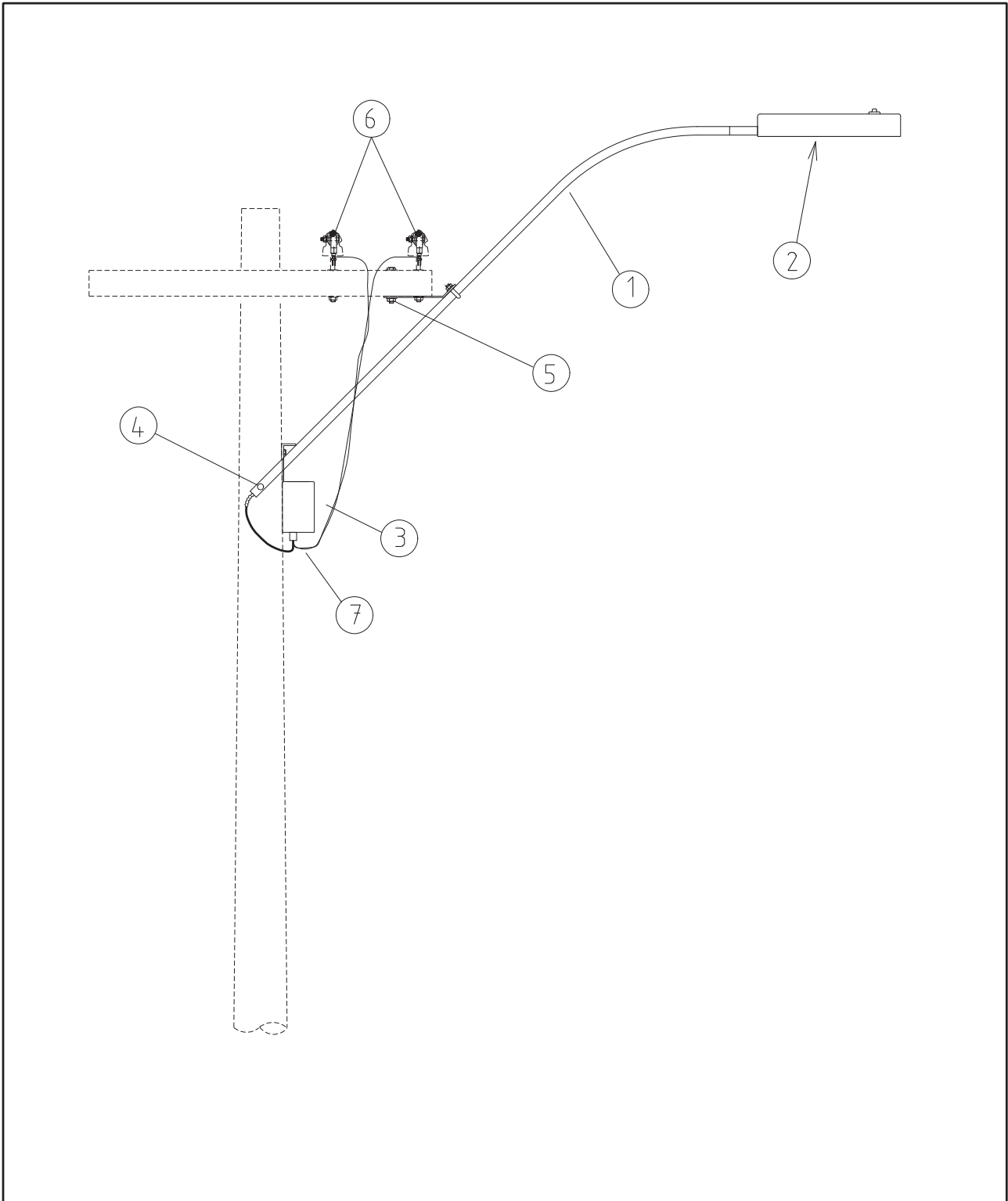
SL2_2E Minor road Wood/conc. Pole with xarm _53W LED (equiv 125W MV)					
ITEM NUMBER	STOCK CODE	DESCRIPTION	QTY REQD	UNIT OF MEASURE	REMARKS
1	CB0424	bracket	1		
2	HL6304	Luminaire with 15m cable	1		
2	HL5557	PE Cell	1		
3	GF1804	Fuse holder with no fuse	1		
3	GF0925	10amp fuse	1		
4	AB4567	12 dia bolt 150 long with nut	1		
5	FC0110	clamp alum. 16mm	2		_FC016* if copper main
6	EE1120	6mm copper xlpe	2	metre	

<b>CU</b>	<b>CU Description</b>
-----------	-----------------------

<b>SL2_2E_MP Minor road Wood/conc. Pole with xarm _53W LED (equiv 125W MV) MENU PRICE</b>					
ITEM NUMBER	STOCK CODE	DESCRIPTION	QTY REQD	UNIT OF MEASURE	REMARKS
1	CB0424	bracket	1		
2	HL6304	LED Luminaire with 15m cable	1		
2	HL5557	NEMA base PE Cell	1		
3	GF1804	Fuse holder with no fuse	1		
3	GF0925	10amp fuse	1		
4	AB4567	12 dia bolt 150 long with nut	1		
5	FC0110	clamp alum. 16mm	2		_FC016* if copper main
6	EE1120	6mm copper xlpe	2	metre	

<b>SL2_3E Minor road Wood/conc. Pole with xarm _36W LED (equiv 70W MH &amp; HPS)</b>					
ITEM NUMBER	STOCK CODE	DESCRIPTION	QTY REQD	UNIT OF MEASURE	REMARKS
1	CB0424	bracket	1		
2	HL6307	Luminaire with 8m cable	1		
2	HL5557	PE Cell	1		
3	GF1804	Fuse holder with no fuse	1		
3	GF0925	10amp fuse	1		
4	AB4567	12 dia bolt 150 long with nut	1		
5	FC0110	clamp alum. 16mm	2		_FC016* if copper main
6	EE1120	6mm copper xlpe	2	metre	

<b>SL2_3E_MP Minor road Wood/conc. Pole with xarm _36W LED_menu_price (equiv 70W MH &amp; HPS)</b>					
ITEM NUMBER	STOCK CODE	DESCRIPTION	QTY REQD	UNIT OF MEASURE	REMARKS
1	CB0424	bracket	1		
2	HL6307	LED Luminaire with 8m cable	1		
2	HL5557	NEMA base PE Cell	1		
3	GF1804	Fuse holder with no fuse	1		
3	GF0925	10amp fuse	1		
4	AB4567	12 dia bolt 150 long with nut	1		
5	FC0110	clamp alum. 16mm	2		_FC016* if copper main
6	EE1120	6mm copper xlpe	2	metre	



- NOTES:-
1. IF MINOR ROAD LIGHTING IS TO BE FITTED TO ARTERIAL ROAD LAYOUT REFER TO SL18 FOR BRACKETS.
  2. REMOVE ARTERIAL ROAD LUMINAIRE AND REPLACE WITH MINOR ROAD LUMINAIRE REQUIREMENT.

(FOR LED LUMINAIRES)

				COMPATIBLE UNIT			DISTRIBUTION DESIGN CATALOGUE		westernpower	
				TITLE			DRAWN: JRR		DATE: 10-04-2014	
				ARTERIAL ROAD WOOD POLE WITH CROSSARM			ORIGINATED:		SCALE: NTS	
							CHECKED: REE		DRG. No. SL03-1	
							APPROVED:		REV: G	
							GRANT STACY		SHT.	
REV	DATE	DESCRIPTION	ORGD.	CHKD.	APRD.					
G	17.08.18	LED LUMINAIRE ADDED	REE	JC	FK					
F	01.12.09	ORIGINAL ISSUE								



CU	CU Description
----	----------------

### Colour Temperature 4000

SL3_4L Arterial road Wood pole with xarm_80W LED (equiv 150W HPS & MH)					
ITEM NUMBER	STOCK CODE	DESCRIPTION	QTY REQD	UNIT OF MEASURE	REMARKS
1	CB0278	bracket with nuts and bolts	1		
2	HL6309	LED Luminaire with 15m cable	1		
2	HL5557	NEMA base PE Cell	1		
3	GF1804	Fuse holder with no fuse	1		
3	GF0925	10amp fuse	1		
4	AB4578	12 dia bolt 325 long with nut	1		
5	AB4567	12 dia bolt 150 long with nut	1		
6	FC0110	clamp alum. 16mm	2		_FC016* if copper main
7	EE1120	6mm copper xlpe	2	metres	

SL3_4L_MP Arterial road Wood pole with xarm_80W LED menu price (equiv 150W HPS & MH)					
ITEM NUMBER	STOCK CODE	DESCRIPTION	QTY REQD	UNIT OF MEASURE	REMARKS
1	CB0278	bracket with nuts and bolts	1		
2	HL6309	LED Luminaire with 15m cable	1		
2	HL5557	NEMA base PE Cell	1		
3	GF1804	Fuse holder with no fuse	1		
3	GF0925	10amp fuse	1		
4	AB4578	12 dia bolt 325 long with nut	1		
5	AB4567	12 dia bolt 150 long with nut	1		
6	FC0110	clamp alum. 16mm	2		_FC016* if copper main
7	EE1120	6mm copper xlpe	2	metres	

SL3_5L Arterial road Wood pole with xarm_160W LED (equiv 250W MH)					
ITEM NUMBER	STOCK CODE	DESCRIPTION	QTY REQD	UNIT OF MEASURE	REMARKS
1	CB0278	bracket with nuts and bolts	1		
2	HL6312	LED Luminaire with 15m cable	1		
2	HL5557	NEMA base PE Cell	1		
3	GF1804	Fuse holder with no fuse	1		
3	GF0925	10amp fuse	1		
4	AB4578	12 dia bolt 325 long with nut	1		
5	AB4567	12 dia bolt 150 long with nut	1		
6	FC0110	clamp alum. 16mm	2		_FC016* if copper main
7	EE1120	6mm copper xlpe	2	metres	

<b>CU</b>	<b>CU Description</b>
-----------	-----------------------

<b>SL3_5L_MP Arterial road Wood pole with xarm_160W LED menu price (equiv 250W MH)</b>					
ITEM NUMBER	STOCK CODE	DESCRIPTION	QTY REQD	UNIT OF MEASURE	REMARKS
1	CB0278	bracket with nuts and bolts	1		
2	HL6312	LED Luminaire with 15m cable	1		
2	HL5557	NEMA base PE Cell	1		
3	GF1804	Fuse holder with no fuse	1		
3	GF0925	10amp fuse	1		
4	AB4578	12 dia bolt 325 long with nut	1		
5	AB4567	12 dia bolt 150 long with nut	1		
6	FC0110	clamp alum. 16mm	2		_FC016* if copper main
7	EE1120	6mm copper xlpe	2	metres	

<b>SL3_6L Arterial road Wood pole with xarm_170W LED (equiv 250W HPS)</b>					
ITEM NUMBER	STOCK CODE	DESCRIPTION	QTY REQD	UNIT OF MEASURE	REMARKS
1	CB0278	bracket with nuts and bolts	1		
2	HL6315	LED Luminaire with 15m cable	1		
2	HL5557	NEMA base PE Cell	1		
3	GF1804	Fuse holder with no fuse	1		
3	GF0925	10amp fuse	1		
4	AB4578	12 dia bolt 325 long with nut	1		
5	AB4567	12 dia bolt 150 long with nut	1		
6	FC0110	clamp alum. 16mm	2		_FC016* if copper main
7	EE1120	6mm copper xlpe	2	metres	

<b>SL3_6L_MP Arterial road Wood pole with xarm_170W LED menu price (equiv 250W HPS)</b>					
ITEM NUMBER	STOCK CODE	DESCRIPTION	QTY REQD	UNIT OF MEASURE	REMARKS
1	CB0278	bracket with nuts and bolts	1		
2	HL6315	LED Luminaire with 15m cable	1		
2	HL5557	NEMA base PE Cell	1		
3	GF1804	Fuse holder with no fuse	1		
3	GF0925	10amp fuse	1		
4	AB4578	12 dia bolt 325 long with nut	1		
5	AB4567	12 dia bolt 150 long with nut	1		
6	FC0110	clamp alum. 16mm	2		_FC016* if copper main
7	EE1120	6mm copper xlpe	2	metres	



CU	CU Description
----	----------------

### Colour Temperature 3000

SL3_4E Arterial road Wood pole with xarm_80W LED (equiv 150W HPS & MH)					
ITEM NUMBER	STOCK CODE	DESCRIPTION	QTY REQD	UNIT OF MEASURE	REMARKS
1	CB0278	bracket with nuts and bolts	1		
2	HL6310	LED Luminaire with 15m cable	1		
2	HL5557	NEMA base PE Cell	1		
3	GF1804	Fuse holder with no fuse	1		
3	GF0925	10amp fuse	1		
4	AB4578	12 dia bolt 325 long with nut	1		
5	AB4567	12 dia bolt 150 long with nut	1		
6	FC0110	clamp alum. 16mm	2		_FC016* if copper main
7	EE1120	6mm copper xlpe	2	metres	

SL3_4E_MP Arterial road Wood pole with xarm_80W LED menu price (equiv 150W HPS & MH)					
ITEM NUMBER	STOCK CODE	DESCRIPTION	QTY REQD	UNIT OF MEASURE	REMARKS
1	CB0278	bracket with nuts and bolts	1		
2	HL6310	LED Luminaire with 15m cable	1		
2	HL5557	NEMA base PE Cell	1		
3	GF1804	Fuse holder with no fuse	1		
3	GF0925	10amp fuse	1		
4	AB4578	12 dia bolt 325 long with nut	1		
5	AB4567	12 dia bolt 150 long with nut	1		
6	FC0110	clamp alum. 16mm	2		_FC016* if copper main
7	EE1120	6mm copper xlpe	2	metres	

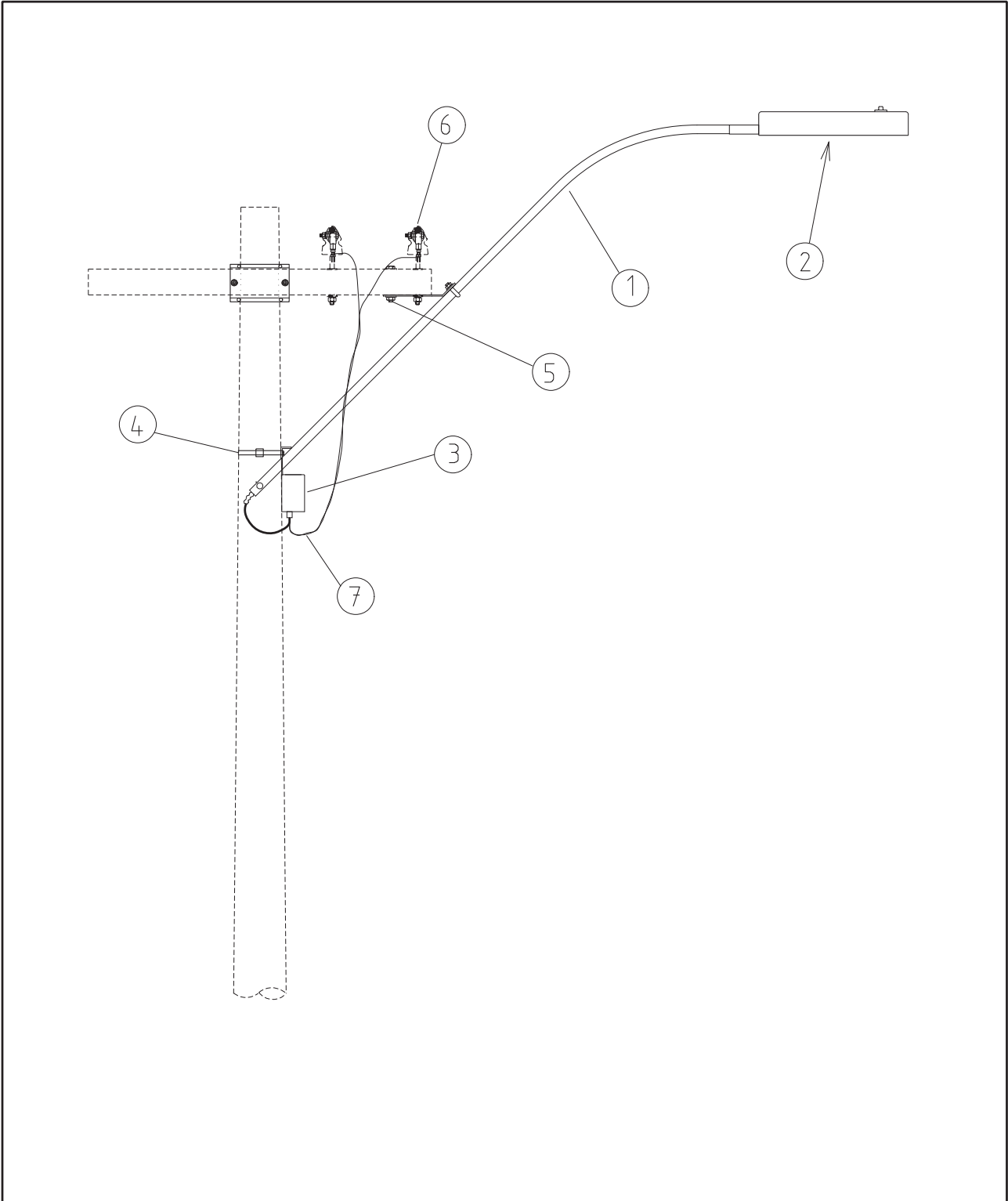
SL3_5E Arterial road Wood pole with xarm_160W LED (equiv 250W MH)					
ITEM NUMBER	STOCK CODE	DESCRIPTION	QTY REQD	UNIT OF MEASURE	REMARKS
1	CB0278	bracket with nuts and bolts	1		
2	HL6313	LED Luminaire with 15m cable	1		
2	HL5557	NEMA base PE Cell	1		
3	GF1804	Fuse holder with no fuse	1		
3	GF0925	10amp fuse	1		
4	AB4578	12 dia bolt 325 long with nut	1		
5	AB4567	12 dia bolt 150 long with nut	1		
6	FC0110	clamp alum. 16mm	2		_FC016* if copper main
7	EE1120	6mm copper xlpe	2	metres	

<b>CU</b>	<b>CU Description</b>
-----------	-----------------------

<b>SL3_5E_MP Arterial road Wood pole with xarm_160W LED menu price (equiv 250W MH)</b>					
ITEM NUMBER	STOCK CODE	DESCRIPTION	QTY REQD	UNIT OF MEASURE	REMARKS
1	CB0278	bracket with nuts and bolts	1		
2	HL6313	LED Luminaire with 15m cable	1		
2	HL5557	NEMA base PE Cell	1		
3	GF1804	Fuse holder with no fuse	1		
3	GF0925	10amp fuse	1		
4	AB4578	12 dia bolt 325 long with nut	1		
5	AB4567	12 dia bolt 150 long with nut	1		
6	FC0110	clamp alum. 16mm	2		_FC016* if copper main
7	EE1120	6mm copper xlpe	2	metres	

<b>SL3_6E Arterial road Wood pole with xarm_170W LED (equiv 250W HPS)</b>					
ITEM NUMBER	STOCK CODE	DESCRIPTION	QTY REQD	UNIT OF MEASURE	REMARKS
1	CB0278	bracket with nuts and bolts	1		
2	HL6316	LED Luminaire with 15m cable	1		
2	HL5557	NEMA base PE Cell	1		
3	GF1804	Fuse holder with no fuse	1		
3	GF0925	10amp fuse	1		
4	AB4578	12 dia bolt 325 long with nut	1		
5	AB4567	12 dia bolt 150 long with nut	1		
6	FC0110	clamp alum. 16mm	2		_FC016* if copper main
7	EE1120	6mm copper xlpe	2	metres	

<b>SL3_6E_MP Arterial road Wood pole with xarm_170W LED menu price (equiv 250W HPS)</b>					
ITEM NUMBER	STOCK CODE	DESCRIPTION	QTY REQD	UNIT OF MEASURE	REMARKS
1	CB0278	bracket with nuts and bolts	1		
2	HL6316	LED Luminaire with 15m cable	1		
2	HL5557	NEMA base PE Cell	1		
3	GF1804	Fuse holder with no fuse	1		
3	GF0925	10amp fuse	1		
4	AB4578	12 dia bolt 325 long with nut	1		
5	AB4567	12 dia bolt 150 long with nut	1		
6	FC0110	clamp alum. 16mm	2		_FC016* if copper main
7	EE1120	6mm copper xlpe	2	metres	



- NOTES:-
1. IF MINOR ROAD LIGHTING IS TO BE FITTED TO ARTERIAL ROAD LAYOUT REFER TO SL18 FOR BRACKETS.
  2. REMOVE ARTERIAL ROAD LUMINAIRE AND REPLACE WITH MINOR ROAD LUMINAIRE REQUIREMENT.

(FOR LED LUMINAIRES)

				COMPATIBLE UNIT			DISTRIBUTION DESIGN CATALOGUE		westernpower	
				TITLE			DRAWN: JRR		DATE: 10-04-2014	
				ARTERIAL ROAD CONCRETE POLE WITH CROSSARM			ORIGINATED: REE		SCALE: NTS	
							CHECKED: REE		DRG. No. SL05-1	
							APPROVED: GRANT STACY		REV: E	
									SHT.	
REV	DATE	DESCRIPTION	ORGD.	CHKD.	APRD.					
E	17.08.18	LED LUMINAIRE ADDED	REE	JC	FK					
D	01.12.09	ORIGINAL ISSUE								



CU	CU Description
----	----------------

### Colour Temperature 4000

SL5_4L Arterial road concrete poles with xarm_80W LED (equiv 150W HPS & MH)					
ITEM NUMBER	STOCK CODE	DESCRIPTION	QTY REQD	UNIT OF MEASURE	REMARKS
1	CB0278	bracket with nuts and bolts	1		
2	HL6309	LED Luminaire with 15m cable	1		
2	HL5557	NEMA base PE Cell	1		
3	GF1804	Fuse holder with no fuse	1		
3	GF0925	10amp fuse	1		
4	CB0287	mounting bracket concrete pole	1		
5	AB4567	12 dia bolt 150 long with nut	1		
6	FC0110	clamp alum. 16mm	2		_FC016* if copper main
7	EE1120	6mm copper xlpe	2	metres	

SL5_4L_MP Arterial road concrete pole with xarm_80W LED ) menu price (equiv 150W HPS & MH					
ITEM NUMBER	STOCK CODE	DESCRIPTION	QTY REQD	UNIT OF MEASURE	REMARKS
1	CB0278	bracket with nuts and bolts	1		
2	HL6309	LED Luminaire with 15m cable	1		
2	HL5557	NEMA base PE Cell	1		
3	GF1804	Fuse holder with no fuse	1		
3	GF0925	10amp fuse	1		
4	CB0287	mounting bracket concrete pole	1		
5	AB4567	12 dia bolt 150 long with nut	1		
6	FC0110	clamp alum. 16mm	2		_FC016* if copper main
7	EE1120	6mm copper xlpe	2	metres	

SL5_5L Arterial road concrete pole with xarm_160W LED (equiv 250W MH)					
ITEM NUMBER	STOCK CODE	DESCRIPTION	QTY REQD	UNIT OF MEASURE	REMARKS
1	CB0278	bracket with nuts and bolts	1		
2	HL6312	LED Luminaire with 15m cable	1		
2	HL5557	NEMA base PE Cell	1		
3	GF1804	Fuse holder with no fuse	1		
3	GF0925	10amp fuse	1		
4	CB0287	mounting bracket concrete pole	1		
5	AB4567	12 dia bolt 150 long with nut	1		
6	FC0110	clamp alum. 16mm	2		_FC016* if copper main
7	EE1120	6mm copper xlpe	2	metres	

<b>CU</b>	<b>CU Description</b>
-----------	-----------------------

<b>SL5_5L_MP Arterial road concrete pole with xarm_160W LED menu price (equiv 250W MH)</b>					
ITEM NUMBER	STOCK CODE	DESCRIPTION	QTY REQD	UNIT OF MEASURE	REMARKS
1	CB0278	bracket with nuts and bolts	1		
2	HL6312	LED Luminaire with 15m cable	1		
2	HL5557	NEMA base PE Cell	1		
3	GF1804	Fuse holder with no fuse	1		
3	GF0925	10amp fuse	1		
4	CB0287	mounting bracket concrete pole	1		
5	AB4567	12 dia bolt 150 long with nut	1		
6	FC0110	clamp alum. 16mm	2		_FC016* if copper main
7	EE1120	6mm copper xlpe	2	metres	

<b>SL5_6L Arterial road concrete pole with xarm_170W LED (equiv 250W HPS)</b>					
ITEM NUMBER	STOCK CODE	DESCRIPTION	QTY REQD	UNIT OF MEASURE	REMARKS
1	CB0278	bracket with nuts and bolts	1		
2	HL6315	LED Luminaire with 15m cable	1		
2	HL5557	NEMA base PE Cell	1		
3	GF1804	Fuse holder with no fuse	1		
3	GF0925	10amp fuse	1		
4	CB0287	mounting bracket concrete pole	1		
5	AB4567	12 dia bolt 150 long with nut	1		
6	FC0110	clamp alum. 16mm	2		_FC016* if copper main
7	EE1120	6mm copper xlpe	2	metres	

<b>SL5_6L_MP Arterial road concrete pole with xarm_170W LED menu price (equiv 250W HPS)</b>					
ITEM NUMBER	STOCK CODE	DESCRIPTION	QTY REQD	UNIT OF MEASURE	REMARKS
1	CB0278	bracket with nuts and bolts	1		
2	HL6315	LED Luminaire with 15m cable	1		
2	HL5557	NEMA base PE Cell	1		
3	GF1804	Fuse holder with no fuse	1		
3	GF0925	10amp fuse	1		
4	CB0287	mounting bracket concrete pole	1		
5	AB4567	12 dia bolt 150 long with nut	1		
6	FC0110	clamp alum. 16mm	2		_FC016* if copper main
7	EE1120	6mm copper xlpe	2	metres	

CU	CU Description
----	----------------

### Colour Temperature 3000

SL5_4E Arterial road concrete poles with xarm_80W LED (equiv 150W HPS & MH)					
ITEM NUMBER	STOCK CODE	DESCRIPTION	QTY REQD	UNIT OF MEASURE	REMARKS
1	CB0278	bracket with nuts and bolts	1		
2	HL6310	LED Luminaire with 15m cable	1		
2	HL5557	NEMA base PE Cell	1		
3	GF1804	Fuse holder with no fuse	1		
3	GF0925	10amp fuse	1		
4	CB0287	mounting bracket concrete pole	1		
5	AB4567	12 dia bolt 150 long with nut	1		
6	FC0110	clamp alum. 16mm	2		_FC016* if copper main
7	EE1120	6mm copper xlpe	2	metres	

SL5_4E_MP Arterial road concrete pole with xarm_80W LED ) menu price (equiv 150W HPS & MH)					
ITEM NUMBER	STOCK CODE	DESCRIPTION	QTY REQD	UNIT OF MEASURE	REMARKS
1	CB0278	bracket with nuts and bolts	1		
2	HL6310	LED Luminaire with 15m cable	1		
2	HL5557	NEMA base PE Cell	1		
3	GF1804	Fuse holder with no fuse	1		
3	GF0925	10amp fuse	1		
4	CB0287	mounting bracket concrete pole	1		
5	AB4567	12 dia bolt 150 long with nut	1		
6	FC0110	clamp alum. 16mm	2		_FC016* if copper main
7	EE1120	6mm copper xlpe	2	metres	

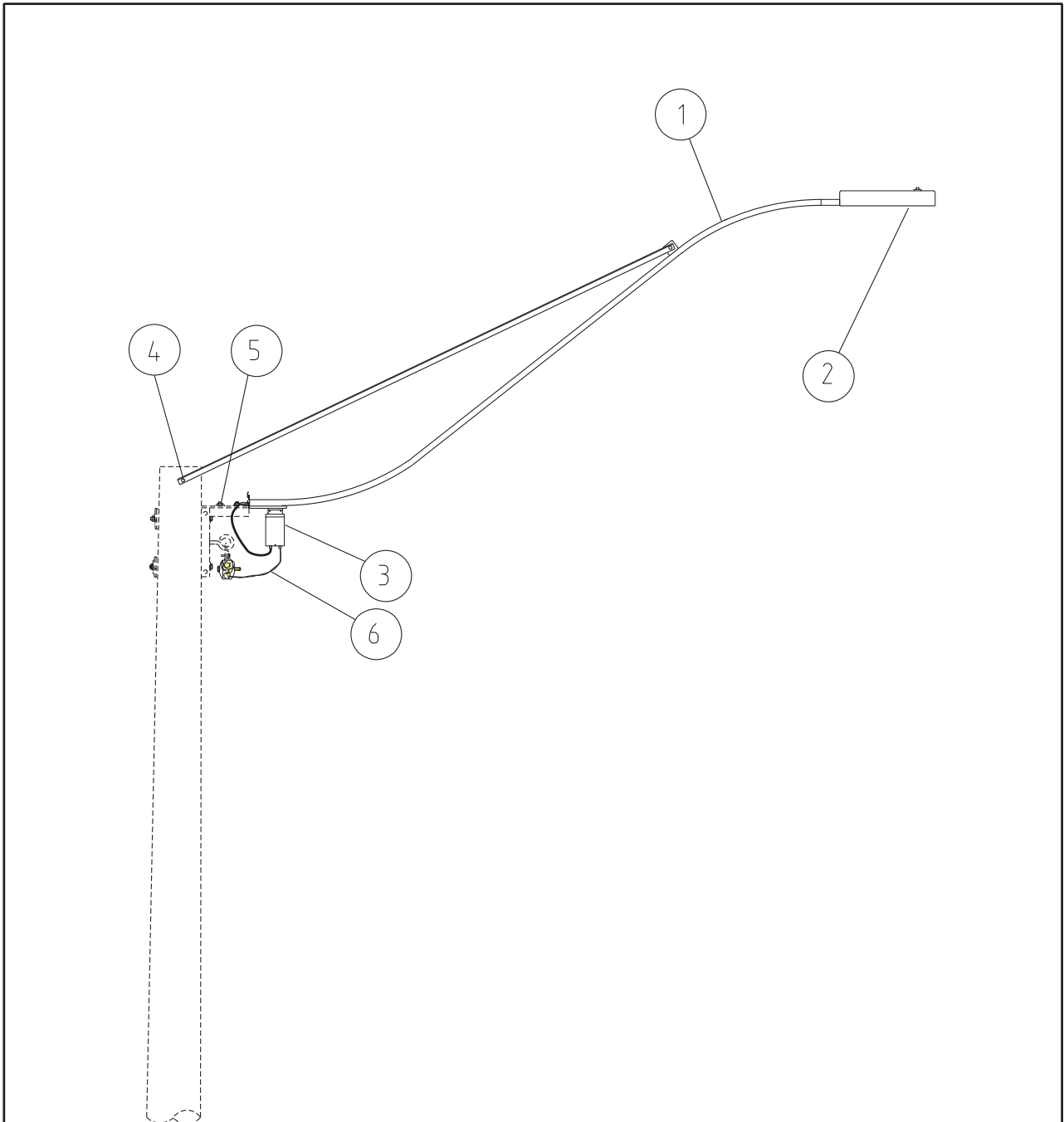
SL5_5E Arterial road concrete pole with xarm_160W LED (equiv 250W MH)					
ITEM NUMBER	STOCK CODE	DESCRIPTION	QTY REQD	UNIT OF MEASURE	REMARKS
1	CB0278	bracket with nuts and bolts	1		
2	HL6313	LED Luminaire with 15m cable	1		
2	HL5557	NEMA base PE Cell	1		
3	GF1804	Fuse holder with no fuse	1		
3	GF0925	10amp fuse	1		
4	CB0287	mounting bracket concrete pole	1		
5	AB4567	12 dia bolt 150 long with nut	1		
6	FC0110	clamp alum. 16mm	2		_FC016* if copper main
7	EE1120	6mm copper xlpe	2	metres	

<b>CU</b>	<b>CU Description</b>
-----------	-----------------------

<b>SL5_5E_MP Arterial road concrete pole with xarm_160W LED menu price (equiv 250W MH)</b>					
ITEM NUMBER	STOCK CODE	DESCRIPTION	QTY REQD	UNIT OF MEASURE	REMARKS
1	CB0278	bracket with nuts and bolts	1		
2	HL6313	LED Luminaire with 15m cable	1		
2	HL5557	NEMA base PE Cell	1		
3	GF1804	Fuse holder with no fuse	1		
3	GF0925	10amp fuse	1		
4	CB0287	mounting bracket concrete pole	1		
5	AB4567	12 dia bolt 150 long with nut	1		
6	FC0110	clamp alum. 16mm	2		_FC016* if copper main
7	EE1120	6mm copper xlpe	2	metres	

<b>SL5_6E Arterial road concrete pole with xarm_170W LED (equiv 250W HPS)</b>					
ITEM NUMBER	STOCK CODE	DESCRIPTION	QTY REQD	UNIT OF MEASURE	REMARKS
1	CB0278	bracket with nuts and bolts	1		
2	HL6316	LED Luminaire with 15m cable	1		
2	HL5557	NEMA base PE Cell	1		
3	GF1804	Fuse holder with no fuse	1		
3	GF0925	10amp fuse	1		
4	CB0287	mounting bracket concrete pole	1		
5	AB4567	12 dia bolt 150 long with nut	1		
6	FC0110	clamp alum. 16mm	2		_FC016* if copper main
7	EE1120	6mm copper xlpe	2	metres	

<b>SL5_6E_MP Arterial road concrete pole with xarm_170W LED menu price (equiv 250W HPS)</b>					
ITEM NUMBER	STOCK CODE	DESCRIPTION	QTY REQD	UNIT OF MEASURE	REMARKS
1	CB0278	bracket with nuts and bolts	1		
2	HL6316	LED Luminaire with 15m cable	1		
2	HL5557	NEMA base PE Cell	1		
3	GF1804	Fuse holder with no fuse	1		
3	GF0925	10amp fuse	1		
4	CB0287	mounting bracket concrete pole	1		
5	AB4567	12 dia bolt 150 long with nut	1		
6	FC0110	clamp alum. 16mm	2		_FC016* if copper main
7	EE1120	6mm copper xlpe	2	metres	



NOTES:

1. IF MINOR ROAD LIGHTING IS TO BE FITTED TO ARTERIAL ROAD LAYOUT REFER TO SL18 FOR BRACKETS.
2. REMOVE ARTERIAL ROAD LUMINAIRE AND REPLACE WITH MINOR ROAD LUMINAIRE REQUIREMENT

(FOR LED LUMINAIRES)

			COMPATIBLE UNIT			DISTRIBUTION DESIGN CATALOGUE			
			TITLE			DRAWN: JRR DATE: 17-04-2016		DRG. No.	
			ARTERIAL ROAD FOR ABC			ORIGINATED: SCALE: NTS		SL06-1	
						CHECKED: REE		REV. G	
						APPROVED: GRANT STACY		SHT.	
REV	DATE	DESCRIPTION	DRGD	CHKD	APRD				
G	17.08.18	LED LUMINAIRE ADDED	REE	JC	FK				
F	24.08.16	ITEM No. 5 ADDED	CO	REE	GS				
E	01.12.09	ORIGINAL ISSUE							



CU	CU Description
----	----------------

### Colour Temperature 4000

SL6_4L Arterial road LVABC_80W LED (equiv 150W HPS & MH)					
ITEM NUMBER	STOCK CODE	DESCRIPTION	QTY REQD	UNIT OF MEASURE	REMARKS
1	CB0430	bracket with nuts and bolts	1		
2	HL6309	LED Luminaire with 15m cable	1		
2	HL5557	NEMA base PE Cell	1		
3	GF1804	Fuse holder with no fuse	1		
3	GF0925	10amp fuse	1		
4	AB4578	12 dia bolt 325 long with nut	1		
5	AB2956	Set screw M12*25mm	2		
6	EE1120	6mm copper xlpe	1	metres	

SL6_4L_MP Arterial road LVABC_80W LED (equiv 150W HPS & MH) menu price					
ITEM NUMBER	STOCK CODE	DESCRIPTION	QTY REQD	UNIT OF MEASURE	REMARKS
1	CB0430	bracket with nuts and bolts	1		
2	HL6309	LED Luminaire with 15m cable	1		
2	HL5557	NEMA base PE Cell	1		
3	GF1804	Fuse holder with no fuse	1		
3	GF0925	10amp fuse	1		
4	AB4578	12 dia bolt 325 long with nut	1		
5	AB2956	Set screw M12*25mm	2		
6	EE1120	6mm copper xlpe	1	metres	

SL6_5L Arterial road LVABC_160W LED (equiv 250W MH)					
ITEM NUMBER	STOCK CODE	DESCRIPTION	QTY REQD	UNIT OF MEASURE	REMARKS
1	CB0430	bracket with nuts and bolts	1		
2	HL6312	LED Luminaire with 15m cable	1		
2	HL5557	NEMA base PE Cell	1		
3	GF1804	Fuse holder with no fuse	1		
3	GF0925	10amp fuse	1		
4	AB4578	12 dia bolt 325 long with nut	1		
5	AB2956	Set screw M12*25mm	2		
6	EE1120	6mm copper xlpe	1	metres	

<b>CU</b>	<b>CU Description</b>
-----------	-----------------------

<b>SL6_5L_MP Arterial road LVABC_160W LED (equiv 250W MH) menu price</b>					
ITEM NUMBER	STOCK CODE	DESCRIPTION	QTY REQD	UNIT OF MEASURE	REMARKS
1	CB0430	bracket with nuts and bolts	1		
2	HL6312	LED Luminaire with 15m cable	1		
2	HL5557	NEMA base PE Cell	1		
3	GF1804	Fuse holder with no fuse	1		
3	GF0925	10amp fuse	1		
4	AB4578	12 dia bolt 325 long with nut	1		
5	AB2956	Set screw M12*25mm	2		
6	EE1120	6mm copper xlpe	1	metres	

<b>SL6_6L Arterial road LVABC_170W LED (equiv 250W HPS)</b>					
ITEM NUMBER	STOCK CODE	DESCRIPTION	QTY REQD	UNIT OF MEASURE	REMARKS
1	CB0430	bracket with nuts and bolts	1		
2	HL6315	LED Luminaire with 15m cable	1		
2	HL5557	NEMA base PE Cell	1		
3	GF1804	Fuse holder with no fuse	1		
3	GF0925	10amp fuse	1		
4	AB4578	12 dia bolt 325 long with nut	1		
5	AB2956	Set screw M12*25mm	2		
6	EE1120	6mm copper xlpe	1	metres	

<b>SL6_6L_MP Arterial road LVABC_170W LED (equiv 250W HPS) menu price</b>					
ITEM NUMBER	STOCK CODE	DESCRIPTION	QTY REQD	UNIT OF MEASURE	REMARKS
1	CB0430	bracket with nuts and bolts	1		
2	HL6315	LED Luminaire with 15m cable	1		
2	HL5557	NEMA base PE Cell	1		
3	GF1804	Fuse holder with no fuse	1		
3	GF0925	10amp fuse	1		
4	AB4578	12 dia bolt 325 long with nut	1		
5	AB2956	Set screw M12*25mm	2		
6	EE1120	6mm copper xlpe	1	metres	

CU	CU Description
----	----------------

### Colour Temperature 3000

SL6_4E Arterial road LVABC_80W LED (equiv 150W HPS & MH)					
ITEM NUMBER	STOCK CODE	DESCRIPTION	QTY REQD	UNIT OF MEASURE	REMARKS
1	CB0430	bracket with nuts and bolts	1		
2	HL6310	LED Luminaire with 15m cable	1		
2	HL5557	NEMA base PE Cell	1		
3	GF1804	Fuse holder with no fuse	1		
3	GF0925	10amp fuse	1		
4	AB4578	12 dia bolt 325 long with nut	1		
5	AB2956	Set screw M12*25mm	2		
6	EE1120	6mm copper xlpe	1	metres	

SL6_4E_MP Arterial road LVABC_80W LED (equiv 150W HPS & MH) menu price					
ITEM NUMBER	STOCK CODE	DESCRIPTION	QTY REQD	UNIT OF MEASURE	REMARKS
1	CB0430	bracket with nuts and bolts	1		
2	HL6310	LED Luminaire with 15m cable	1		
2	HL5557	NEMA base PE Cell	1		
3	GF1804	Fuse holder with no fuse	1		
3	GF0925	10amp fuse	1		
4	AB4578	12 dia bolt 325 long with nut	1		
5	AB2956	Set screw M12*25mm	2		
6	EE1120	6mm copper xlpe	1	metres	

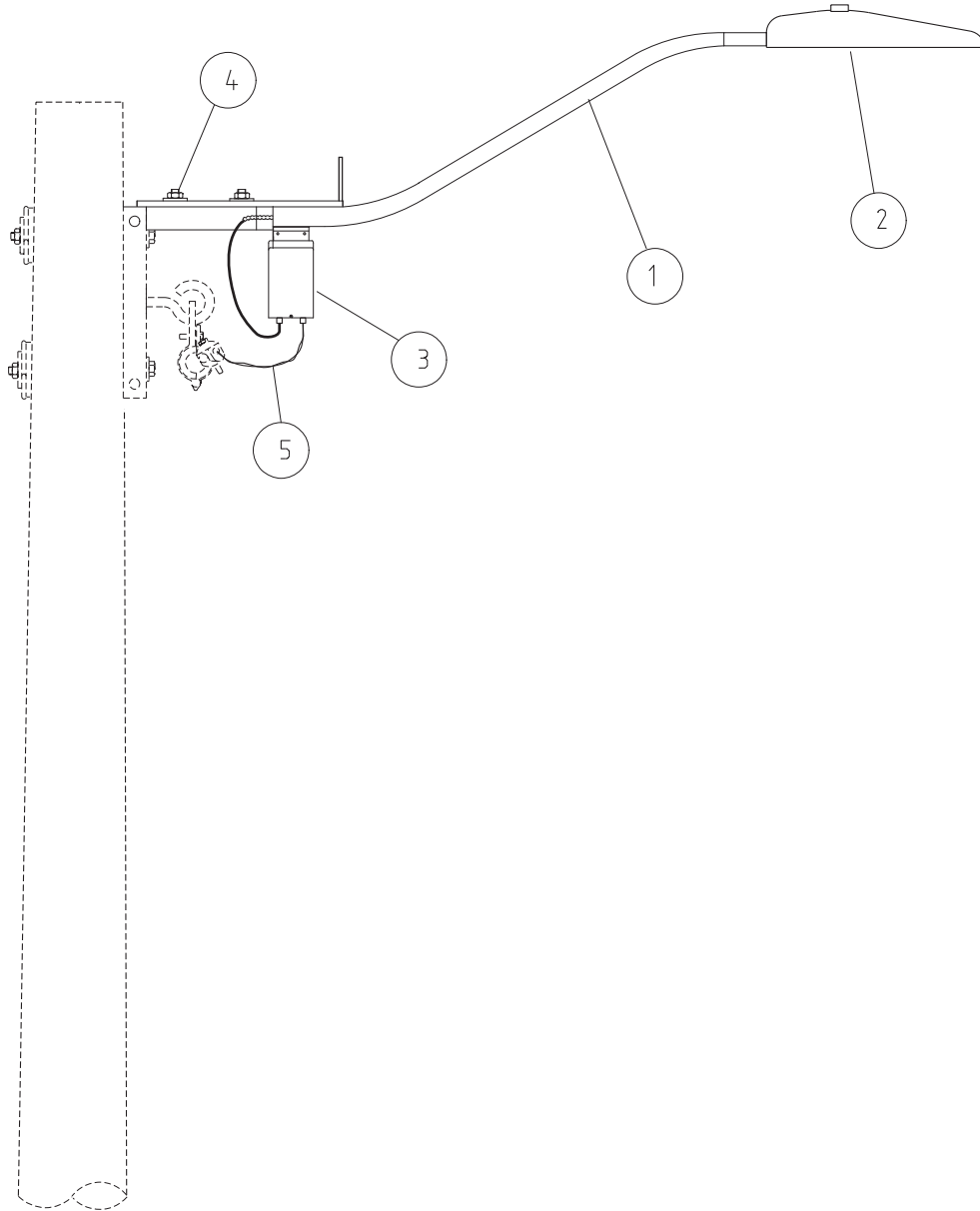
SL6_5E Arterial road LVABC_160W LED (equiv 250W MH)					
ITEM NUMBER	STOCK CODE	DESCRIPTION	QTY REQD	UNIT OF MEASURE	REMARKS
1	CB0430	bracket with nuts and bolts	1		
2	HL6313	LED Luminaire with 15m cable	1		
2	HL5557	NEMA base PE Cell	1		
3	GF1804	Fuse holder with no fuse	1		
3	GF0925	10amp fuse	1		
4	AB4578	12 dia bolt 325 long with nut	1		
5	AB2956	Set screw M12*25mm	2		
6	EE1120	6mm copper xlpe	1	metres	

<b>CU</b>	<b>CU Description</b>
-----------	-----------------------

<b>SL6_5E_MP Arterial road LVABC_160W LED (equiv 250W MH) menu price</b>					
ITEM NUMBER	STOCK CODE	DESCRIPTION	QTY REQD	UNIT OF MEASURE	REMARKS
1	CB0430	bracket with nuts and bolts	1		
2	HL6313	LED Luminaire with 15m cable	1		
2	HL5557	NEMA base PE Cell	1		
3	GF1804	Fuse holder with no fuse	1		
3	GF0925	10amp fuse	1		
4	AB4578	12 dia bolt 325 long with nut	1		
5	AB2956	Set screw M12*25mm	2		
6	EE1120	6mm copper xlpe	1	metres	

<b>SL6_6E Arterial road LVABC_170W LED (equiv 250W HPS)</b>					
ITEM NUMBER	STOCK CODE	DESCRIPTION	QTY REQD	UNIT OF MEASURE	REMARKS
1	CB0430	bracket with nuts and bolts	1		
2	HL6316	LED Luminaire with 15m cable	1		
2	HL5557	NEMA base PE Cell	1		
3	GF1804	Fuse holder with no fuse	1		
3	GF0925	10amp fuse	1		
4	AB4578	12 dia bolt 325 long with nut	1		
5	AB2956	Set screw M12*25mm	2		
6	EE1120	6mm copper xlpe	1	metres	

<b>SL6_6E_MP Arterial road LVABC_170W LED (equiv 250W HPS) menu price</b>					
ITEM NUMBER	STOCK CODE	DESCRIPTION	QTY REQD	UNIT OF MEASURE	REMARKS
1	CB0430	bracket with nuts and bolts	1		
2	HL6316	LED Luminaire with 15m cable	1		
2	HL5557	NEMA base PE Cell	1		
3	GF1804	Fuse holder with no fuse	1		
3	GF0925	10amp fuse	1		
4	AB4578	12 dia bolt 325 long with nut	1		
5	AB2956	Set screw M12*25mm	2		
6	EE1120	6mm copper xlpe	1	metres	



NOTES:-

1. IF ARTERIAL LIGHTING IS TO BE FITTED TO MINOR ROAD LAYOUT REFER TO SL18 FOR BRACKETS.
2. REMOVE MINOR ROAD LUMINAIRE AND REPLACE WITH ARTERIAL ROAD LUMINAIRE REQUIREMENT.

(FOR LED LUMINAIRES)

				COMPATIBLE UNIT		DISTRIBUTION DESIGN CATALOGUE		westernpower	
				TITLE		DRAWN: JRR DATE: 17-04-2014		DRG. No.	
				MINOR ROAD FOR ABC		ORIGINATED: SCALE: NTS		SL07-1	
						CHECKED: REE		REV. F	
						APPROVED: GRANT STACY		SHT.	
REV	DATE	DESCRIPTION	ORGD.	CHKD.	APRD.				
F	17.08.18	LED LUMINAIRE ADDED	REE	JC	GS				
E	03.10.14	FORMAT CHANGED	JC	REE	GS				
D	04.04.12	ORIGINAL ISSUE							

CU	CU Description
----	----------------

### Colour Temperature 4000

SL7_1L Minor Road LVABC_20W LED (equiv 42W CFL)					
ITEM NUMBER	STOCK CODE	DESCRIPTION	QTY REQD	UNIT OF MEASURE	REMARKS
1	CB0424	bracket	1		
2	HL6300	LED Luminaire with 8m cable	1		
2	HL5557	NEMA base PE Cell	1		
3	GF1804	Fuse holder with no fuse	1		
3	GF0925	10amp fuse	1		
4	AB2956	Set screw M12*25mm	2		
5	EE1120	6mm copper xlpe	2	metres	

SL7_1L_MP Minor Road LVABC_20W LED menu price (equiv 42W CFL)					
ITEM NUMBER	STOCK CODE	DESCRIPTION	QTY REQD	UNIT OF MEASURE	REMARKS
1	CB0424	bracket	1		
2	HL6300	LED Luminaire with 8m cable	1		
2	HL5557	NEMA base PE Cell	1		
3	GF1804	Fuse holder with no fuse	1		
3	GF0925	10amp fuse	1		
4	AB2956	Set screw M12*25mm	2		
5	EE1120	6mm copper xlpe	2	metres	

SL7_2L Minor Road LVABC_53W LED (equiv 125W MV)					
ITEM NUMBER	STOCK CODE	DESCRIPTION	QTY REQD	UNIT OF MEASURE	REMARKS
1	CB0424	bracket	1		
2	HL6303	LED Luminaire with 15m cable	1		
2	HL5557	NEMA base PE Cell	1		
3	GF1804	Fuse holder with no fuse	1		
3	GF0925	10amp fuse	1		
4	AB2956	Set screw M12*25mm	2		
5	EE1120	6mm copper xlpe	2	metres	

SL7_2L_MP Minor Road LVABC_53W LED menu price (equiv 125W MV)					
ITEM NUMBER	STOCK CODE	DESCRIPTION	QTY REQD	UNIT OF MEASURE	REMARKS
1	CB0424	bracket	1		
2	HL6303	LED Luminaire with 15m cable	1		
2	HL5557	NEMA base PE Cell	1		
3	GF1804	Fuse holder with no fuse	1		
3	GF0925	10amp fuse	1		
4	AB2956	Set screw M12*25mm	2		
5	EE1120	6mm copper xlpe	2	metres	

<b>CU</b>	<b>CU Description</b>
-----------	-----------------------

<b>SL7_3L Minor Road LVABC_36W LED (equiv 70W MH &amp; HPS)</b>					
ITEM NUMBER	STOCK CODE	DESCRIPTION	QTY REQD	UNIT OF MEASURE	REMARKS
1	CB0424	bracket	1		
2	HL6306	LED Luminaire with 8m cable	1		
2	HL5557	NEMA base PE Cell	1		
3	GF1804	Fuse holder with no fuse	1		
3	GF0925	10amp fuse	1		
4	AB2956	Set screw M12*25mm	2		
5	EE1120	6mm copper xlpe	2	metres	

<b>SL7_3L_MP Minor Road LVABC_36W LED menu price (equiv 70W MH &amp; HPS)</b>					
ITEM NUMBER	STOCK CODE	DESCRIPTION	QTY REQD	UNIT OF MEASURE	REMARKS
1	CB0424	bracket	1		
2	HL6306	LED Luminaire with 8m cable	1		
2	HL5557	NEMA base PE Cell	1		
3	GF1804	Fuse holder with no fuse	1		
3	GF0925	10amp fuse	1		
4	AB2956	Set screw M12*25mm	2		
5	EE1120	6mm copper xlpe	2	metres	

### Colour Temperature 3000

<b>SL7_1E Minor Road LVABC_20W LED (equiv 42W CFL)</b>					
ITEM NUMBER	STOCK CODE	DESCRIPTION	QTY REQD	UNIT OF MEASURE	REMARKS
1	CB0424	bracket	1		
2	HL6301	LED Luminaire with 8m cable	1		
2	HL5557	NEMA base PE Cell	1		
3	GF1804	Fuse holder with no fuse	1		
3	GF0925	10amp fuse	1		
4	AB2956	Set screw M12*25mm	2		
5	EE1120	6mm copper xlpe	2	metres	

<b>SL7_1E_MP Minor Road LVABC_20W LED menu price (equiv 42W CFL)</b>					
ITEM NUMBER	STOCK CODE	DESCRIPTION	QTY REQD	UNIT OF MEASURE	REMARKS
1	CB0424	bracket	1		
2	HL6301	LED Luminaire with 8m cable	1		
2	HL5557	NEMA base PE Cell	1		
3	GF1804	Fuse holder with no fuse	1		
3	GF0925	10amp fuse	1		
4	AB2956	Set screw M12*25mm	2		
5	EE1120	6mm copper xlpe	2	metres	

<b>CU</b>	<b>CU Description</b>
-----------	-----------------------

<b>SL7_2E Minor Road LVABC_53W LED (equiv 125W MV)</b>					
ITEM NUMBER	STOCK CODE	DESCRIPTION	QTY REQD	UNIT OF MEASURE	REMARKS
1	CB0424	bracket	1		
2	HL6304	LED Luminaire with 15m cable	1		
2	HL5557	NEMA base PE Cell	1		
3	GF1804	Fuse holder with no fuse	1		
3	GF0925	10amp fuse	1		
4	AB2956	Set screw M12*25mm	2		
5	EE1120	6mm copper xlpe	2	metres	

<b>SL7_2E_MP Minor Road LVABC_53W LED menu price (equiv 125W MV)</b>					
ITEM NUMBER	STOCK CODE	DESCRIPTION	QTY REQD	UNIT OF MEASURE	REMARKS
1	CB0424	bracket	1		
2	HL6304	LED Luminaire with 15m cable	1		
2	HL5557	NEMA base PE Cell	1		
3	GF1804	Fuse holder with no fuse	1		
3	GF0925	10amp fuse	1		
4	AB2956	Set screw M12*25mm	2		
5	EE1120	6mm copper xlpe	2	metres	

<b>SL7_3E Minor Road LVABC_36W LED (equiv 70W MH &amp; HPS)</b>					
ITEM NUMBER	STOCK CODE	DESCRIPTION	QTY REQD	UNIT OF MEASURE	REMARKS
1	CB0424	bracket	1		
2	HL6307	LED Luminaire with 8m cable	1		
2	HL5557	NEMA base PE Cell	1		
3	GF1804	Fuse holder with no fuse	1		
3	GF0925	10amp fuse	1		
4	AB2956	Set screw M12*25mm	2		
5	EE1120	6mm copper xlpe	2	metres	

<b>SL7_3E_MP Minor Road LVABC_36W LED menu price (equiv 70W MH &amp; HPS)</b>					
ITEM NUMBER	STOCK CODE	DESCRIPTION	QTY REQD	UNIT OF MEASURE	REMARKS
1	CB0424	bracket	1		
2	HL6307	LED Luminaire with 8m cable	1		
2	HL5557	NEMA base PE Cell	1		
3	GF1804	Fuse holder with no fuse	1		
3	GF0925	10amp fuse	1		
4	AB2956	Set screw M12*25mm	2		
5	EE1120	6mm copper xlpe	2	metres	





CU	CU Description
----	----------------

### Colour Temperature 4000

SL8_1L Single outreach steel standard 6.5m_20W LED (equiv 42W CFL)					
ITEM NUMBER	STOCK CODE	DESCRIPTION	QTY REQD	UNIT OF MEASURE	REMARKS
1	CW0255	6.5m SL steel pole, metal galvanised	1		
2	HL6300	LED Luminaire with 8m cable	1		
3	HL5557	NEMA base PE Cell	1		
4	HZ0131	SL fuse cut-out	1		
5	GF1300	fuse cartridge 10 amp	1		
6	HZ0135	Cut-out mounting bracket	1		

SL8_2L Single outreach steel standard 6.5m_53W LED (equiv 125W MV)					
ITEM NUMBER	STOCK CODE	DESCRIPTION	QTY REQD	UNIT OF MEASURE	REMARKS
1	CW0255	6.5m SL steel pole, metal galvanised	1		
2	HL6303	LED Luminaire with 15m cable	1		
3	HL5557	NEMA base PE Cell	1		
4	HZ0131	SL fuse cut-out	1		
5	GF1300	fuse cartridge 10 amp	1		
6	HZ0135	Cut-out mounting bracket	1		

SL8_3L Single outreach steel standard 6.5m_36W LED (equiv 70W MH & HPS)					
ITEM NUMBER	STOCK CODE	DESCRIPTION	QTY REQD	UNIT OF MEASURE	REMARKS
1	CW0255	6.5m SL steel pole, metal galvanised	1		
2	HL6306	LED Luminaire with 8m cable	1		
3	HL5557	NEMA base PE Cell	1		
4	HZ0131	SL fuse cut-out	1		
5	GF1300	fuse cartridge 10 amp	1		
6	HZ0135	Cut-out mounting bracket	1		

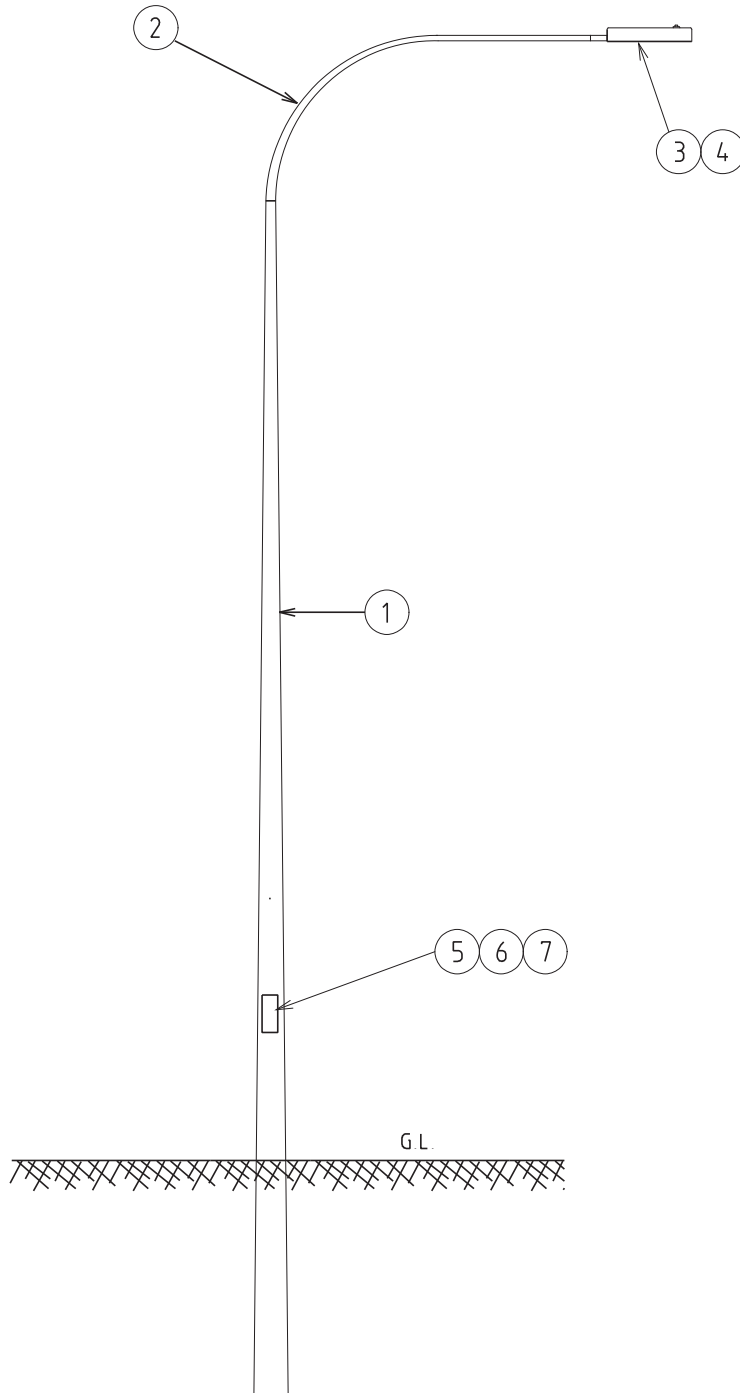
### Colour Temperature 3000

SL8_1E Single outreach steel standard 6.5m_20W LED (equiv 42W CFL)					
ITEM NUMBER	STOCK CODE	DESCRIPTION	QTY REQD	UNIT OF MEASURE	REMARKS
1	CW0255	6.5m SL steel pole, metal galvanised	1		
2	HL6301	LED Luminaire with 8m cable	1		
3	HL5557	NEMA base PE Cell	1		
4	HZ0131	SL fuse cut-out	1		
5	GF1300	fuse cartridge 10 amp	1		
6	HZ0135	Cut-out mounting bracket	1		

<b>CU</b>	<b>CU Description</b>
-----------	-----------------------

<b>SL8_2E Single outreach steel standard 6.5m_53W LED (equiv 125W MV)</b>					
ITEM NUMBER	STOCK CODE	DESCRIPTION	QTY REQD	UNIT OF MEASURE	REMARKS
1	CW0255	6.5m SL steel pole, metal galvanised	1		
2	HL6304	LED Luminaire with 15m cable	1		
3	HL5557	NEMA base PE Cell	1		
4	HZ0131	SL fuse cut-out	1		
5	GF1300	fuse cartridge 10 amp	1		
6	HZ0135	Cut-out mounting bracket	1		

<b>SL8_3E Single outreach steel standard 6.5m_36W LED (equiv 70W MH &amp; HPS)</b>					
ITEM NUMBER	STOCK CODE	DESCRIPTION	QTY REQD	UNIT OF MEASURE	REMARKS
1	CW0255	6.5m SL steel pole, metal galvanised	1		
2	HL6307	LED Luminaire with 8m cable	1		
3	HL5557	NEMA base PE Cell	1		
4	HZ0131	SL fuse cut-out	1		
5	GF1300	fuse cartridge 10 amp	1		
6	HZ0135	Cut-out mounting bracket	1		



NOTE:-  
1. REFER TO R26 AND R27 FOR STREET LIGHT WIRING / SYSTEM DESIGN.

(FOR LED LUMINAIRES)

				COMPATIBLE UNIT			DISTRIBUTION DESIGN CATALOGUE		westernpower	
				TITLE			DRAWN: JRR		DATE: 17-04-2016	
				SINGLE OUTREACH			ORIGINATED:		SCALE: NTS	
				STEEL STANDARD - 10.5M			CHECKED: REE		ORG. No.	
							APPROVED: GRANT STACY		REV. 1	
REV	DATE	DESCRIPTION	DRG	CHKD	APRD			SHT.		
I	24.06.20	ITEM 7 (HZ0135) ADDED		CO	REE	GS			SL09-1	
H	17.08.18	NOTE REVISED AND LED LUMINAIRE ADDED		REE	JC	FK				
G	01.12.09	ORIGINAL ISSUE								

CU	CU Description
----	----------------

### Colour Temperature 4000

SL9_4L Single outreach steel standard 10.5m_80W LED (equiv 150W HPS & MH)					
ITEM NUMBER	STOCK CODE	DESCRIPTION	QTY REQD	UNIT OF MEASURE	REMARKS
1	CW0275	10.5m SL steel pole, metal galvanised	1		
2	CW0278	single outreach arm	1		
3	HL6309	LED Luminaire with 15m cable	1		
4	HL5557	NEMA base PE Cell	1		
5	GF1300	fuse cartridge 10 amp	1		
6	HZ0131	SL fuse cut-out	1		
7	HZ0135	Cut-out mounting bracket	1		

SL9_5L Single outreach steel standard 10.5m_160W LED (equiv 250W MH)					
ITEM NUMBER	STOCK CODE	DESCRIPTION	QTY REQD	UNIT OF MEASURE	REMARKS
1	CW0275	10.5m SL steel pole, metal galvanised	1		
2	CW0278	single outreach arm	1		
3	HL6312	LED Luminaire with 15m cable	1		
4	HL5557	NEMA base PE Cell	1		
5	GF1300	fuse cartridge 10 amp	1		
6	HZ0131	SL fuse cut-out	1		
7	HZ0135	Cut-out mounting bracket	1		

SL9_6L Single outreach steel standard 10.5m_170W LED (equiv 250W HPS)					
ITEM NUMBER	STOCK CODE	DESCRIPTION	QTY REQD	UNIT OF MEASURE	REMARKS
1	CW0275	10.5m SL steel pole, metal galvanised	1		
2	CW0278	single outreach arm	1		
3	HL6315	LED Luminaire with 15m cable	1		
4	HL5557	NEMA base PE Cell	1		
5	GF1300	fuse cartridge 10 amp	1		
6	HZ0131	SL fuse cut-out	1		
7	HZ0135	Cut-out mounting bracket	1		

CU	CU Description
----	----------------

### Colour Temperature 3000

SL9_4E Single outreach steel standard 10.5m_80W LED (equiv 150W HPS & MH)					
ITEM NUMBER	STOCK CODE	DESCRIPTION	QTY REQD	UNIT OF MEASURE	REMARKS
1	CW0275	10.5m SL steel pole, metal galvanised	1		
2	CW0278	single outreach arm	1		
3	HL6310	LED Luminaire with 15m cable	1		
4	HL5557	NEMA base PE Cell	1		
5	GF1300	fuse cartridge 10 amp	1		
6	HZ0131	SL fuse cut-out	1		
7	HZ0135	Cut-out mounting bracket	1		

SL9_5E Single outreach steel standard 10.5m_160W LED (equiv 250W MH)					
ITEM NUMBER	STOCK CODE	DESCRIPTION	QTY REQD	UNIT OF MEASURE	REMARKS
1	CW0275	10.5m SL steel pole, metal galvanised	1		
2	CW0278	single outreach arm	1		
3	HL6313	LED Luminaire with 15m cable	1		
4	HL5557	NEMA base PE Cell	1		
5	GF1300	fuse cartridge 10 amp	1		
6	HZ0131	SL fuse cut-out	1		
7	HZ0135	Cut-out mounting bracket	1		

SL9_6E Single outreach steel standard 10.5m_170W LED (equiv 250W HPS)					
ITEM NUMBER	STOCK CODE	DESCRIPTION	QTY REQD	UNIT OF MEASURE	REMARKS
1	CW0275	10.5m SL steel pole, metal galvanised	1		
2	CW0278	single outreach arm	1		
3	HL6316	LED Luminaire with 15m cable	1		
4	HL5557	NEMA base PE Cell	1		
5	GF1300	fuse cartridge 10 amp	1		
6	HZ0131	SL fuse cut-out	1		
7	HZ0135	Cut-out mounting bracket	1		



CU	CU Description
----	----------------

### Colour Temperature 4000

SL10_4L Double outreach steel standard 10.5m 80W LED (equiv 150W HPS & MH)					
ITEM NUMBER	STOCK CODE	DESCRIPTION	QTY REQD	UNIT OF MEASURE	REMARKS
1	CW0275	Pole 10.5m	1		
2	CW0279	double outreach arm	1		
3	HL6309	LED Luminaire with 15m cable	2		
4	HL5557	NEMA base PE Cell	2		
5	GF1300	fuse cartridge 10 amp	2		
6	HZ0131	SL fuse cut-out	1		
7	HZ0135	Cut-out mounting bracket	1		

SL10_5L Double outreach steel standard 10.5m 160W LED (equiv 250W MH)					
ITEM NUMBER	STOCK CODE	DESCRIPTION	QTY REQD	UNIT OF MEASURE	REMARKS
1	CW0275	Pole 10.5m	1		
2	CW0279	double outreach arm	1		
3	HL6312	LED Luminaire with 15m cable	2		
4	HL5557	NEMA base PE Cell	2		
5	GF1300	fuse cartridge 10 amp	2		
6	HZ0131	SL fuse cut-out	1		
7	HZ0135	Cut-out mounting bracket	1		

SL10_6L Double outreach steel standard 10.5m 170W LED (equiv 250W HPS)					
ITEM NUMBER	STOCK CODE	DESCRIPTION	QTY REQD	UNIT OF MEASURE	REMARKS
1	CW0275	Pole 10.5m	1		
2	CW0279	double outreach arm	1		
3	HL6315	LED Luminaire with 15m cable	2		
4	HL5557	NEMA base PE Cell	2		
5	GF1300	fuse cartridge 10 amp	2		
6	HZ0131	SL fuse cut-out	1		
7	HZ0135	Cut-out mounting bracket	1		



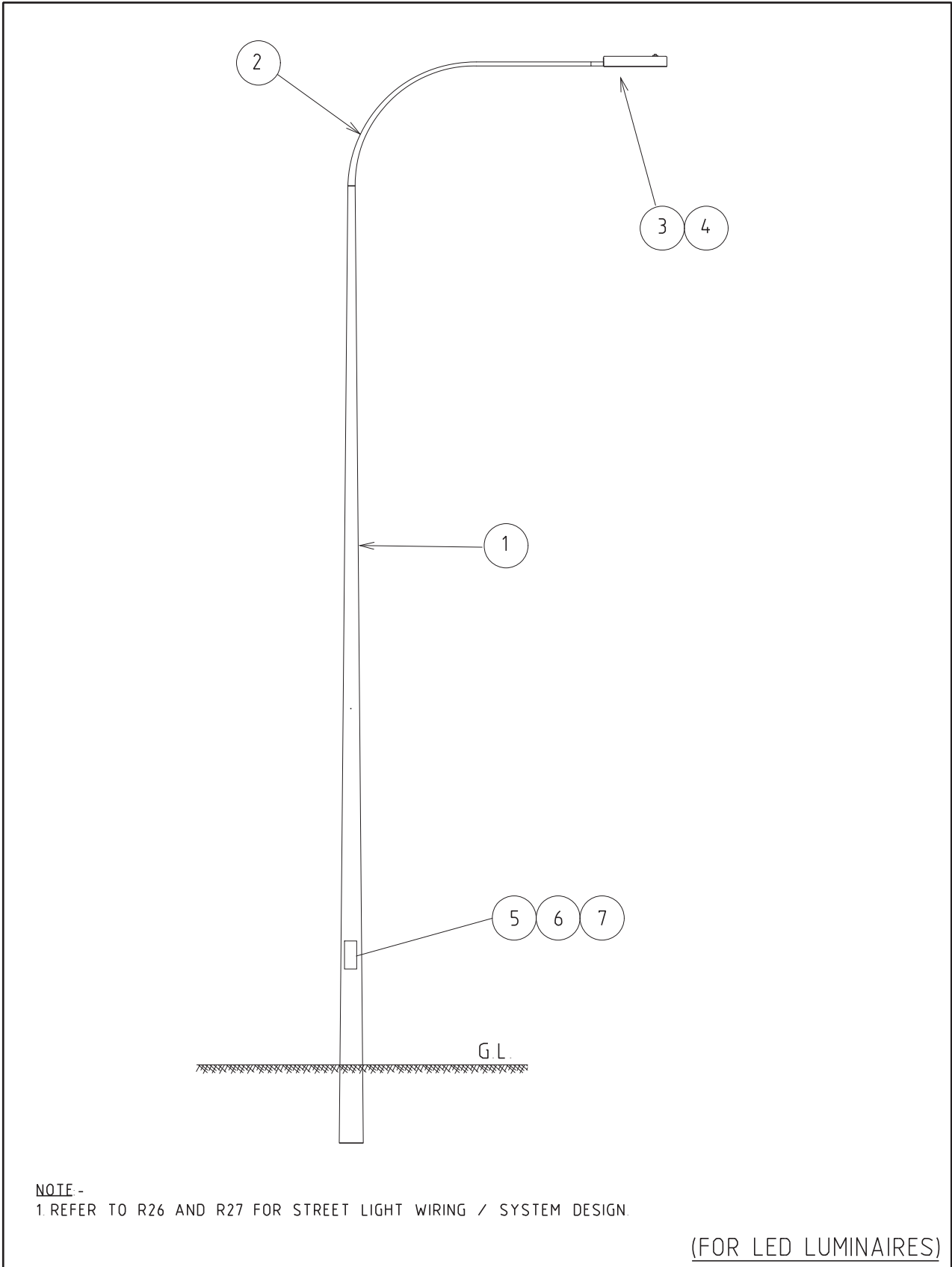
CU	CU Description
----	----------------

### Colour Temperature 3000

SL10_4E Double outreach steel standard 10.5m 80W LED (equiv 150W HPS & MH)					
ITEM NUMBER	STOCK CODE	DESCRIPTION	QTY REQD	UNIT OF MEASURE	REMARKS
1	CW0275	Pole 10.5m	1		
2	CW0279	double outreach arm	1		
3	HL6310	LED Luminaire with 15m cable	2		
4	HL5557	NEMA base PE Cell	2		
5	GF1300	fuse cartridge 10 amp	2		
6	HZ0131	SL fuse cut-out	1		
7	HZ0135	Cut-out mounting bracket	1		

SL10_5E Double outreach steel standard 10.5m 160W LED (equiv 250W MH)					
ITEM NUMBER	STOCK CODE	DESCRIPTION	QTY REQD	UNIT OF MEASURE	REMARKS
1	CW0275	Pole 10.5m	1		
2	CW0279	double outreach arm	1		
3	HL6313	LED Luminaire with 15m cable	2		
4	HL5557	NEMA base PE Cell	2		
5	GF1300	fuse cartridge 10 amp	2		
6	HZ0131	SL fuse cut-out	1		
7	HZ0135	Cut-out mounting bracket	1		

SL10_6E Double outreach steel standard 10.5m 170W LED (equiv 250W HPS)					
ITEM NUMBER	STOCK CODE	DESCRIPTION	QTY REQD	UNIT OF MEASURE	REMARKS
1	CW0275	Pole 10.5m	1		
2	CW0279	double outreach arm	1		
3	HL6316	LED Luminaire with 15m cable	2		
4	HL5557	NEMA base PE Cell	2		
5	GF1300	fuse cartridge 10 amp	2		
6	HZ0131	SL fuse cut-out	1		
7	HZ0135	Cut-out mounting bracket	1		



				COMPATIBLE UNIT			DISTRIBUTION DESIGN CATALOGUE		westernpower	
				TITLE			DRAWN: JRR		DATE: 17-06-2014	
				SINGLE OUTREACH STEEL STANDARD - 12.5M			ORIGINATED:		SCALE: NTS	
							CHECKED: REE		ORG. No. SL11-1	
							APPROVED: GRANT STACY		REV.   SHT.	
REV	DATE	DESCRIPTION	DRGD	CHKD	APRD					
I	24.06.20	ITEM 7 (HZ0135) ADDED	CO	REE	GS					
H	17.08.18	NOTE REVISED AND LED ADDED	REE	JC	FK					
G	01.12.09	ORIGINAL ISSUE								



CU	CU Description
----	----------------

### Colour Temperature 4000

SL11_4L Single Outreach steel standard 12.5m 80W LED (equiv 150W HPS & MH)					
ITEM NUMBER	STOCK CODE	DESCRIPTION	QTY REQD	UNIT OF MEASURE	REMARKS
1	CW0276	POLE 12.5M	1		
2	CW0278	single outreach arm	1		
3	HL6309	LED Luminaire with 15m cable	1		
4	HL5557	NEMA base PE Cell	1		
5	GF1300	fuse cartridge 10 amp	1		
6	HZ0131	SL fuse cut-out	1		
7	HZ0135	Cut-out mounting bracket	1		

SL11_5L Single outreach steel standard 12.5m 160W LED (equiv 250W MH)					
ITEM NUMBER	STOCK CODE	DESCRIPTION	QTY REQD	UNIT OF MEASURE	REMARKS
1	CW0276	POLE 12.5M	1		
2	CW0278	single outreach arm	1		
3	HL6312	LED Luminaire with 15m cable	1		
4	HL5557	NEMA base PE Cell	1		
5	GF1300	fuse cartridge 10 amp	1		
6	HZ0131	SL fuse cut-out	1		
7	HZ0135	Cut-out mounting bracket	1		

SL11_6L Single outreach steel standard 12.5m 170W LED (equiv 250W HPS)					
ITEM NUMBER	STOCK CODE	DESCRIPTION	QTY REQD	UNIT OF MEASURE	REMARKS
1	CW0276	POLE 12.5M	1		
2	CW0278	single outreach arm	1		
3	HL6315	LED Luminaire with 15m cable	1		
4	HL5557	NEMA base PE Cell	1		
5	GF1300	fuse cartridge 10 amp	1		
6	HZ0131	SL fuse cut-out	1		
7	HZ0135	Cut-out mounting bracket	1		

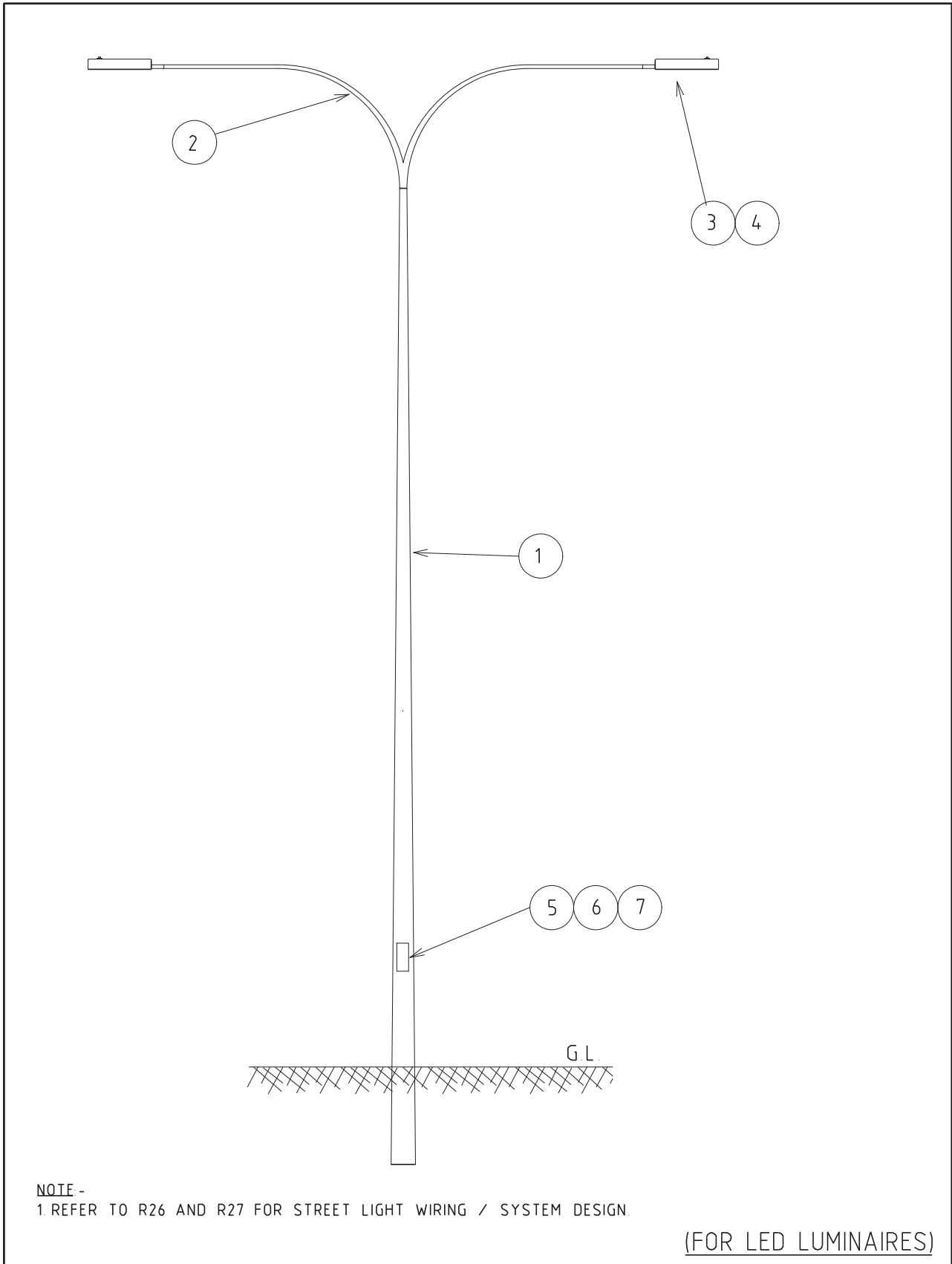
CU	CU Description
----	----------------

### Colour Temperature 3000

SL11_4E Single Outreach steel standard 12.5m 80W LED (equiv 150W HPS & MH)					
ITEM NUMBER	STOCK CODE	DESCRIPTION	QTY REQD	UNIT OF MEASURE	REMARKS
1	CW0276	POLE 12.5M	1		
2	CW0278	single outreach arm	1		
3	HL6310	LED Luminaire with 15m cable	1		
4	HL5557	NEMA base PE Cell	1		
5	GF1300	fuse cartridge 10 amp	1		
6	HZ0131	SL fuse cut-out	1		
7	HZ0135	Cut-out mounting bracket	1		

SL11_5E Single outreach steel standard 12.5m 160W LED (equiv 250W MH)					
ITEM NUMBER	STOCK CODE	DESCRIPTION	QTY REQD	UNIT OF MEASURE	REMARKS
1	CW0276	POLE 12.5M	1		
2	CW0278	single outreach arm	1		
3	HL6313	LED Luminaire with 15m cable	1		
4	HL5557	NEMA base PE Cell	1		
5	GF1300	fuse cartridge 10 amp	1		
6	HZ0131	SL fuse cut-out	1		
7	HZ0135	Cut-out mounting bracket	1		

SL11_6E Single outreach steel standard 12.5m 170W LED (equiv 250W HPS)					
ITEM NUMBER	STOCK CODE	DESCRIPTION	QTY REQD	UNIT OF MEASURE	REMARKS
1	CW0276	POLE 12.5M	1		
2	CW0278	single outreach arm	1		
3	HL6316	LED Luminaire with 15m cable	1		
4	HL5557	NEMA base PE Cell	1		
5	GF1300	fuse cartridge 10 amp	1		
6	HZ0131	SL fuse cut-out	1		
7	HZ0135	Cut-out mounting bracket	1		



			COMPATIBLE UNIT			DISTRIBUTION DESIGN CATALOGUE		westernpower	
			DOUBLE OUTREACH STEEL STANDARD - 12.5M			DRAWN: JRR DATE: 17-04-2014		DRG. No. SL12-1	
						ORIGINATED: SCALE: NTS			
						CHECKED: REE		REV.   SHT.	
						APPROVED: GRANT STACY		1	
REV	DATE	DESCRIPTION	DRG.	CHKD.	APRD.				
I	24.06.20	ITEM 7 (HZ0135) ADDED		CO	REE	GS			
H	17.08.18	NOTE REVISED AND LED ADDED		REE	JC	FK			
G	01.12.09	ORIGINAL ISSUE							



<b>CU</b>	<b>CU Description</b>
-----------	-----------------------

### Colour Temperature 4000

<b>SL12_4L Double outreach steel standard 12.5m 80W LED (equiv 150W HPS &amp; MH)</b>					
ITEM NUMBER	STOCK CODE	DESCRIPTION	QTY REQD	UNIT OF MEASURE	REMARKS
1	CW0276	POLE 12.5M	1		
2	CW0279	double outreach arm	1		
3	HL6309	LED Luminaire with 15m cable	2		
4	HL5557	NEMA base PE Cell	2		
5	GF1300	fuse cartridge 10 amp	2		
6	HZ0131	SL fuse cut-out	1		
7	HZ0135	Cut-out mounting bracket	1		

<b>SL12_5L Double outreach steel standard 12.5m 160W LED (equiv 250W MH)</b>					
ITEM NUMBER	STOCK CODE	DESCRIPTION	QTY REQD	UNIT OF MEASURE	REMARKS
1	CW0276	POLE 12.5M	1		
2	CW0279	double outreach arm	1		
3	HL6312	LED Luminaire with 15m cable	2		
4	HL5557	NEMA base PE Cell	2		
5	GF1300	fuse cartridge 10 amp	2		
6	HZ0131	SL fuse cut-out	1		
7	HZ0135	Cut-out mounting bracket	1		

<b>SL12_6L Double outreach steel standard 12.5m 170W LED (equiv 250W HPS)</b>					
ITEM NUMBER	STOCK CODE	DESCRIPTION	QTY REQD	UNIT OF MEASURE	REMARKS
1	CW0276	POLE 12.5M	1		
2	CW0279	double outreach arm	1		
3	HL6315	LED Luminaire with 15m cable	2		
4	HL5557	NEMA base PE Cell	2		
5	GF1300	fuse cartridge 10 amp	2		
6	HZ0131	SL fuse cut-out	1		
7	HZ0135	Cut-out mounting bracket	1		

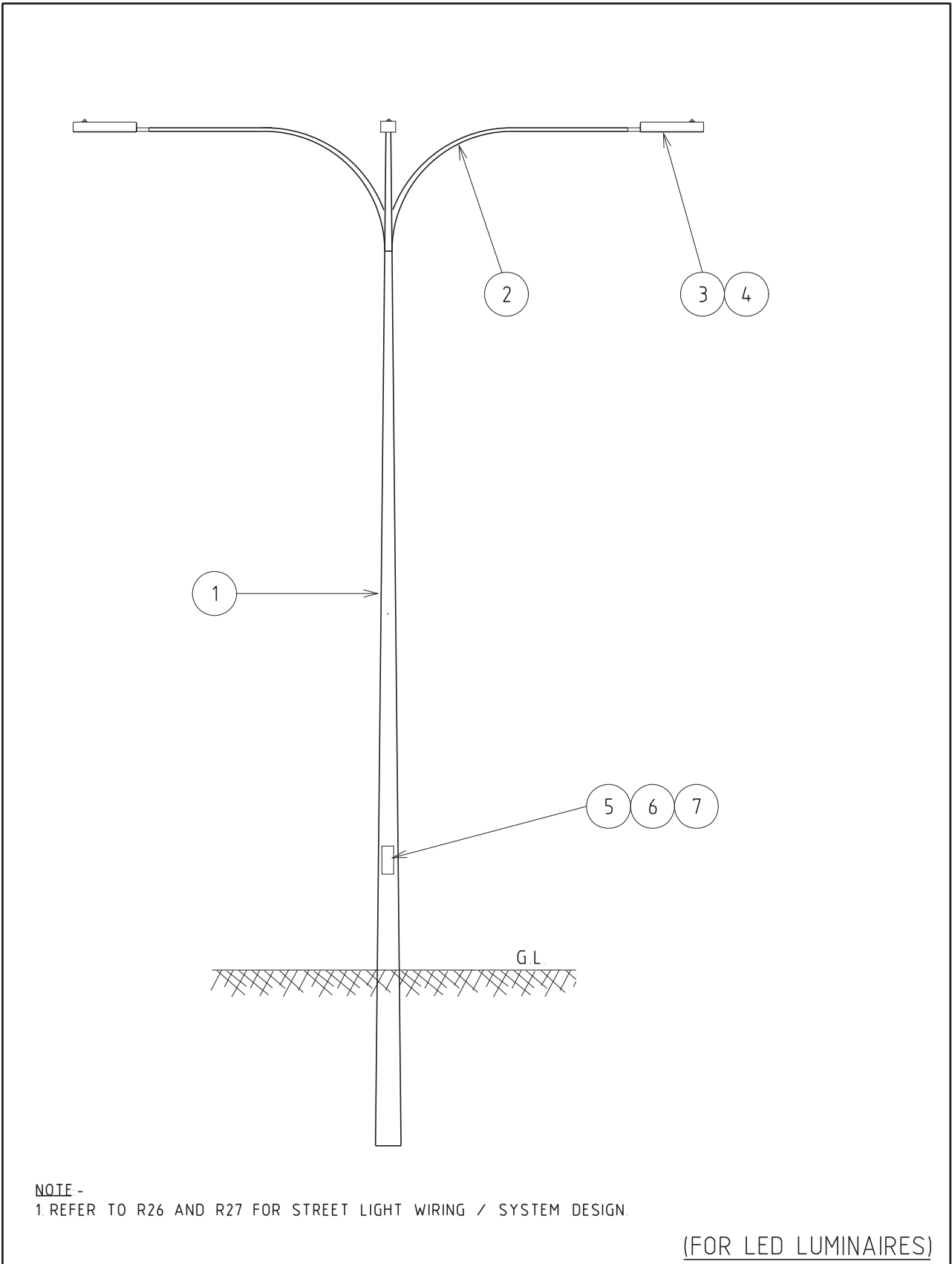
CU	CU Description
----	----------------

### Colour Temperature 3000

SL12_4E Double outreach steel standard 12.5m 80W LED (equiv 150W HPS & MH)					
ITEM NUMBER	STOCK CODE	DESCRIPTION	QTY REQD	UNIT OF MEASURE	REMARKS
1	CW0276	POLE 12.5M	1		
2	CW0279	double outreach arm	1		
3	HL6310	LED Luminaire with 15m cable	2		
4	HL5557	NEMA base PE Cell	2		
5	GF1300	fuse cartridge 10 amp	2		
6	HZ0131	SL fuse cut-out	1		
7	HZ0135	Cut-out mounting bracket	1		

SL12_5E Double outreach steel standard 12.5m 160W LED (equiv 250W MH)					
ITEM NUMBER	STOCK CODE	DESCRIPTION	QTY REQD	UNIT OF MEASURE	REMARKS
1	CW0276	POLE 12.5M	1		
2	CW0279	double outreach arm	1		
3	HL6313	LED Luminaire with 15m cable	2		
4	HL5557	NEMA base PE Cell	2		
5	GF1300	fuse cartridge 10 amp	2		
6	HZ0131	SL fuse cut-out	1		
7	HZ0135	Cut-out mounting bracket	1		

SL12_6E Double outreach steel standard 12.5m 170W LED (equiv 250W HPS)					
ITEM NUMBER	STOCK CODE	DESCRIPTION	QTY REQD	UNIT OF MEASURE	REMARKS
1	CW0276	POLE 12.5M	1		
2	CW0279	double outreach arm	1		
3	HL6316	LED Luminaire with 15m cable	2		
4	HL5557	NEMA base PE Cell	2		
5	GF1300	fuse cartridge 10 amp	2		
6	HZ0131	SL fuse cut-out	1		
7	HZ0135	Cut-out mounting bracket	1		



NOTE -  
1 REFER TO R26 AND R27 FOR STREET LIGHT WIRING / SYSTEM DESIGN.

(FOR LED LUMINAIRES)

				TITLE			COMPATIBLE UNIT		DISTRIBUTION DESIGN CATALOGUE		westernpower	
				4 WAY OUTREACH STEEL STANDARD - 10.5m					DRAWN: JRR DATE: 22-04-2014 DRG. No.		SL16-1	
									ORIGINATED: SCALE: NTS			
									CHECKED: REE		REV. E	
									APPROVED: GRANT STACY		SHT.	
REV	DATE	DESCRIPTION	DRG.	CHKD.	APRD.							
E	24.06.20	ITEM 7 (HZ01351) ADDED		CO	REE	GS						
D	17.08.18	NOTE REVISED AND LED ADDED		REE	JC	FK						
C	01.12.09	ORIGINAL ISSUE										





CU	CU Description
----	----------------

### Colour Temperature 4000

SL16_4L 4 Way outreach steel standard 10.5m_80W LED (equiv 150W HPS & MH)					
ITEM NUMBER	STOCK CODE	DESCRIPTION	QTY REQD	UNIT OF MEASURE	REMARKS
1	CW0275	POLE 10.5M	1		
2	CW1317	4 Way outreach arm - galv	1		
3	HL6309	LED Luminaire with 15m cable	4		
4	HL5557	NEMA base PE Cell	4		
5	GF1300	fuse cartridge 10 amp	2		
6	HZ0131	SL fuse cut-out	1		
7	HZ0135	Cut-out mounting bracket	1		

SL16_5L 4 Way outreach steel standard 10.5m_160W LED (equiv 250W MH)					
ITEM NUMBER	STOCK CODE	DESCRIPTION	QTY REQD	UNIT OF MEASURE	REMARKS
1	CW0275	POLE 10.5M	1		
2	CW1317	4 Way outreach arm - galv	1		
3	HL6312	LED Luminaire with 15m cable	4		
4	HL5557	NEMA base PE Cell	4		
5	GF1300	fuse cartridge 10 amp	2		
6	HZ0131	SL fuse cut-out	1		
7	HZ0135	Cut-out mounting bracket	1		

SL16_6L 4 Way outreach steel standard 10.5m_170W LED (equiv 250W HPS)					
ITEM NUMBER	STOCK CODE	DESCRIPTION	QTY REQD	UNIT OF MEASURE	REMARKS
1	CW0275	POLE 10.5M	1		
2	CW1317	4 Way outreach arm - galv	1		
3	HL6315	LED Luminaire with 15m cable	4		
4	HL5557	NEMA base PE Cell	4		
5	GF1300	fuse cartridge 10 amp	2		
6	HZ0131	SL fuse cut-out	1		
7	HZ0135	Cut-out mounting bracket	1		

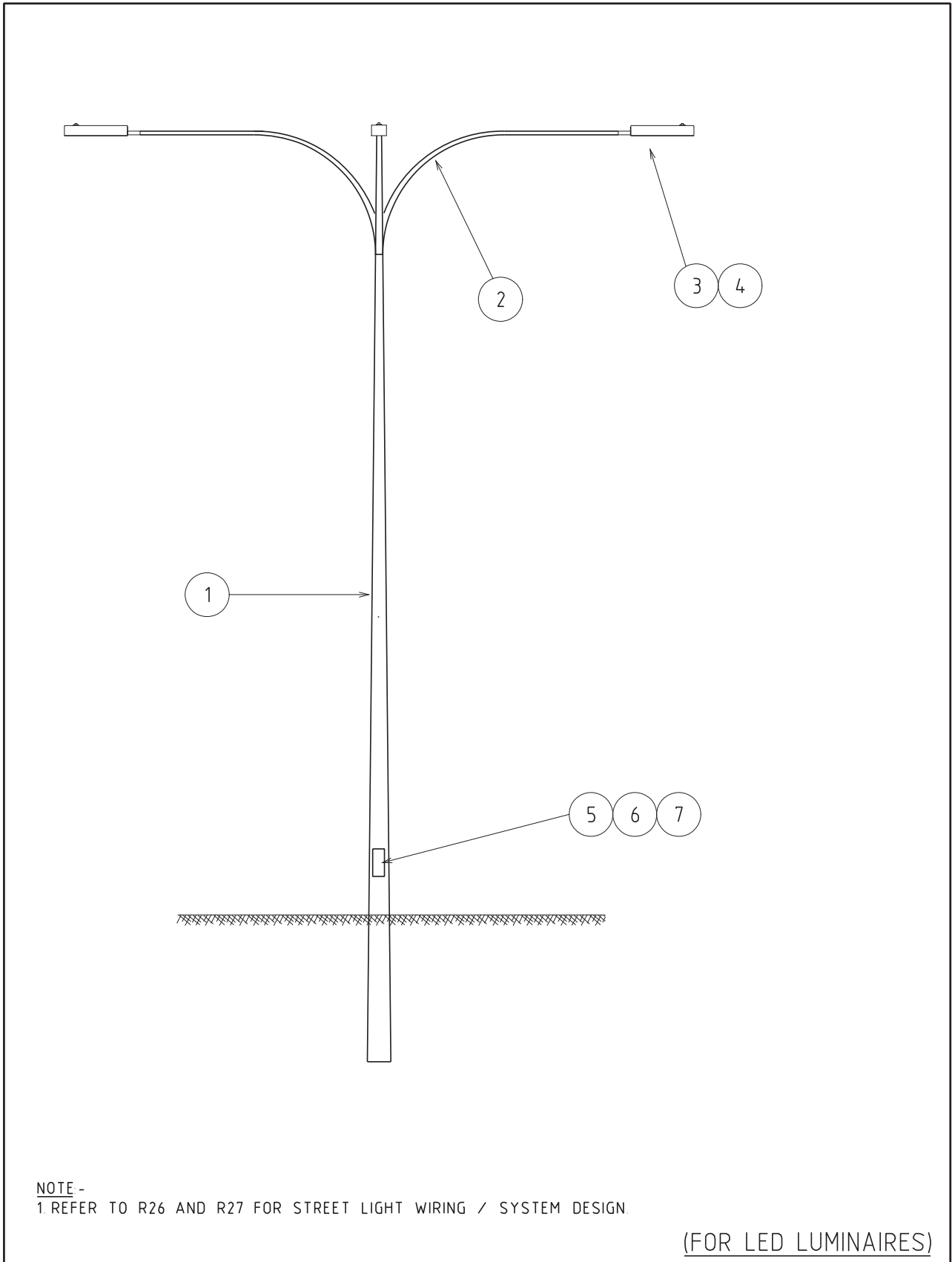
CU	CU Description
----	----------------

### Colour Temperature 3000

SL16_4E 4 Way outreach steel standard 10.5m_80W LED (equiv 150W HPS & MH)					
ITEM NUMBER	STOCK CODE	DESCRIPTION	QTY REQD	UNIT OF MEASURE	REMARKS
1	CW0275	POLE 10.5M	1		
2	CW1317	4 Way outreach arm - galv	1		
3	HL6310	LED Luminaire with 15m cable	4		
4	HL5557	NEMA base PE Cell	4		
5	GF1300	fuse cartridge 10 amp	2		
6	HZ0131	SL fuse cut-out	1		
7	HZ0135	Cut-out mounting bracket	1		

SL16_5E 4 Way outreach steel standard 10.5m_160W LED (equiv 250W MH)					
ITEM NUMBER	STOCK CODE	DESCRIPTION	QTY REQD	UNIT OF MEASURE	REMARKS
1	CW0275	POLE 10.5M	1		
2	CW1317	4 Way outreach arm - galv	1		
3	HL6313	LED Luminaire with 15m cable	4		
4	HL5557	NEMA base PE Cell	4		
5	GF1300	fuse cartridge 10 amp	2		
6	HZ0131	SL fuse cut-out	1		
7	HZ0135	Cut-out mounting bracket	1		

SL16_6E 4 Way outreach steel standard 10.5m_170W LED (equiv 250W HPS)					
ITEM NUMBER	STOCK CODE	DESCRIPTION	QTY REQD	UNIT OF MEASURE	REMARKS
1	CW0275	POLE 10.5M	1		
2	CW1317	4 Way outreach arm - galv	1		
3	HL6316	LED Luminaire with 15m cable	4		
4	HL5557	NEMA base PE Cell	4		
5	GF1300	fuse cartridge 10 amp	2		
6	HZ0131	SL fuse cut-out	1		
7	HZ0135	Cut-out mounting bracket	1		



NOTE -  
1 REFER TO R26 AND R27 FOR STREET LIGHT WIRING / SYSTEM DESIGN.

(FOR LED LUMINAIRES)

				TITLE			COMPATIBLE UNIT			DISTRIBUTION DESIGN CATALOGUE			westernpower		
				4 WAY OUTREACH			4 WAY OUTREACH			DRAWN: JRR			DATE: 22-04-2014		
				STEEL STANDARD - 12.5M			STEEL STANDARD - 12.5M			ORIGINATED:			SCALE: NTS		
										CHECKED: REE			DRG. No.		
										APPROVED: GRANT STACY			SL17-1		
										REV. E			SHT.		
REV	DATE	DESCRIPTION	DRG.	CHKD.	APRD.										



CU	CU Description
----	----------------

### Colour Temperature 4000

SL17_4L 4 Way outreach steel standard 12.5m_80W LED (equiv 150W HPS & MH)					
ITEM NUMBER	STOCK CODE	DESCRIPTION	QTY REQD	UNIT OF MEASURE	REMARKS
1	CW0276	POLE 12.5M	1		
2	CW1317	4 Way outreach arm - galv	1		
3	HL6309	LED Luminaire with 15m cable	4		
4	HL5557	NEMA base PE Cell	4		
5	GF1300	fuse cartridge 10 amp	2		
6	HZ0131	SL fuse cut-out	1		
7	HZ0135	Cut-out mounting bracket	1		

SL17_5L 4 Way outreach steel standard 12.5m_160W LED (equiv 250W MH)					
ITEM NUMBER	STOCK CODE	DESCRIPTION	QTY REQD	UNIT OF MEASURE	REMARKS
1	CW0276	POLE 12.5M	1		
2	CW1317	4 Way outreach arm - galv	1		
3	HL6312	LED Luminaire with 15m cable	4		
4	HL5557	NEMA base PE Cell	4		
5	GF1300	fuse cartridge 10 amp	2		
6	HZ0131	SL fuse cut-out	1		
7	HZ0135	Cut-out mounting bracket	1		

SL17_6L 4 Way outreach steel standard 12.5m_170W LED (equiv 250W HPS)					
ITEM NUMBER	STOCK CODE	DESCRIPTION	QTY REQD	UNIT OF MEASURE	REMARKS
1	CW0276	POLE 12.5M	1		
2	CW1317	4 Way outreach arm - galv	1		
3	HL6315	LED Luminaire with 15m cable	4		
4	HL5557	NEMA base PE Cell	4		
5	GF1300	fuse cartridge 10 amp	2		
6	HZ0131	SL fuse cut-out	1		
7	HZ0135	Cut-out mounting bracket	1		

CU	CU Description
----	----------------

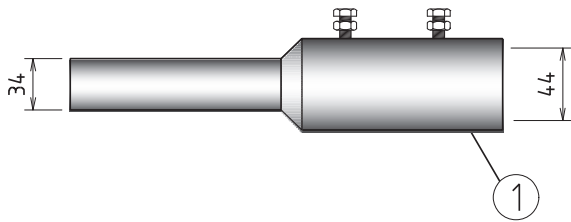
### Colour Temperature 3000

SL17_4E 4 Way outreach steel standard 12.5m_80W LED (equiv 150W HPS & MH)					
ITEM NUMBER	STOCK CODE	DESCRIPTION	QTY REQD	UNIT OF MEASURE	REMARKS
1	CW0276	POLE 12.5M	1		
2	CW1317	4 Way outreach arm - galv	1		
3	HL6310	LED Luminaire with 15m cable	4		
4	HL5557	NEMA base PE Cell	4		
5	GF1300	fuse cartridge 10 amp	2		
6	HZ0131	SL fuse cut-out	1		
7	HZ0135	Cut-out mounting bracket	1		

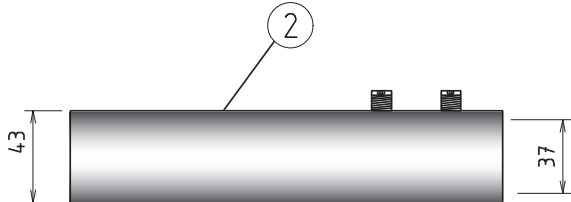
SL17_5E 4 Way outreach steel standard 12.5m_160W LED (equiv 250W MH)					
ITEM NUMBER	STOCK CODE	DESCRIPTION	QTY REQD	UNIT OF MEASURE	REMARKS
1	CW0276	POLE 12.5M	1		
2	CW1317	4 Way outreach arm - galv	1		
3	HL6313	LED Luminaire with 15m cable	4		
4	HL5557	NEMA base PE Cell	4		
5	GF1300	fuse cartridge 10 amp	2		
6	HZ0131	SL fuse cut-out	1		
7	HZ0135	Cut-out mounting bracket	1		

SL17_6E 4 Way outreach steel standard 12.5m_170W LED (equiv 250W HPS)					
ITEM NUMBER	STOCK CODE	DESCRIPTION	QTY REQD	UNIT OF MEASURE	REMARKS
1	CW0276	POLE 12.5M	1		
2	CW1317	4 Way outreach arm - galv	1		
3	HL6316	LED Luminaire with 15m cable	4		
4	HL5557	NEMA base PE Cell	4		
5	GF1300	fuse cartridge 10 amp	2		
6	HZ0131	SL fuse cut-out	1		
7	HZ0135	Cut-out mounting bracket	1		

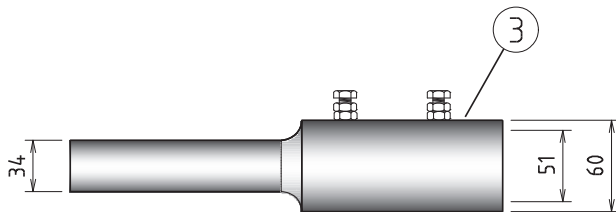
LUMINAIRE SIDE BRACKET/COLUMN SIDE



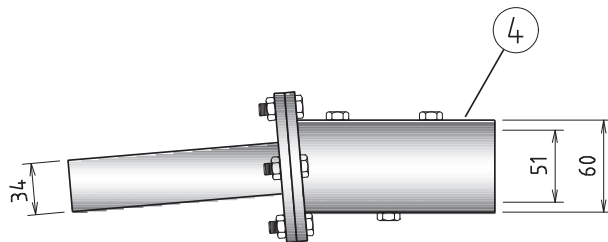
FOR USE ON CU's (OVERHEAD BRACKET)  
 SL 3, SL03-1  
 SL 5, SL05-1  
 SL 6, SL06-1  
 SL 24, SL24-1  
 TO FIT ROAD GRACE



FOR USE ON CU (6.5m COLUMN)  
 SL 8, SL08-1  
 TO FIT ROAD FLAIR



FOR USE ON CU's (10.5 & 12.5 COLUMNS)  
 SL 9, SL09-1  
 SL 10, SL10-1  
 SL 11, SL11-1  
 SL 12, SL12-1  
 SL 16, SL16-1  
 SL 17, SL17-1  
 TO FIT BOURKE HILL LUMINAIRE



FOR USE WITH 10.5 & 12.5 COLUMNS  
 TO REDUCE UPLIFT BY 5° OR 10°  
 (LUMINAIRE MUST NOT BE REDUCED  
 BELOW HORIZONTAL)  
 TO FIT ROAD FLAIR

LUMINAIRE	SOCKET SIZE / RANGE
ROAD GRACE	25 - 40
ROAD FLAIR	42 - 60
BOURKE HILL	37
PARK VILLE	47
KENSINGTON	80

COLUMNS	BOSS SIZE		BRACKET/COLUMNS		
	NB	OD	6.5	10.5	12.5
MINOR ROAD	25	33.7	✓	✗	✗
ARTERIAL ROAD	40	48.3	✗	✓	✓

O/H BRACKET	BOSS SIZE
MINOR ROAD	34
ARTERIAL ROAD	42.8

NOTES:-  
 1. ALL DIMENSIONS ARE IN MILLIMETRES.

(FOR LED LUMINAIRES)

COMPATIBLE UNIT				DISTRIBUTION DESIGN CATALOGUE		westernpower	
E	18.12.19	ANGLE ADAPTOR ADDED	REE	NN	FK	TITLE	
D	06.06.19	MORE DETAILS ADDED	REE	NN	FK	LUMINAIRE ADAPTORS	
C	09.01.19	DIMENSIONS & TABLE ADDED	REE	NN	GS	DRAWN: JRR DATE: 22-04-2014 DRG. No.	
B	17.08.18	DRAWING REVISED TO SUIT LED LUMINAIRE	REE	JC	FK	ORIGINATED: SCALE: NTS	
A	26.10.10	ORIGINAL ISSUE				CHECKED: REE	
REV	DATE	DESCRIPTION	ORGD.	CHKD.	APRD.	APPROVED: GRANT STACY REV. E SHY.	

<b>CU</b>	<b>CU Description</b>
-----------	-----------------------

<b>SL18_GRACE</b>	<b>Luminaire adaptor for RoadGrace LED (equiv 42W CFL, 125W MH &amp; HPS)</b>
-------------------	---

ITEM NUMBER	STOCK CODE	DESCRIPTION	QTY REQD	UNIT OF MEASURE	REMARKS
1	HL3345	Luminaire adaptor for Road Grace	1		

<b>SL18_FLAIR</b>	<b>Luminaire adaptor for RoadFlair LED (equiv 150/250 MH &amp; HPS)</b>
-------------------	---

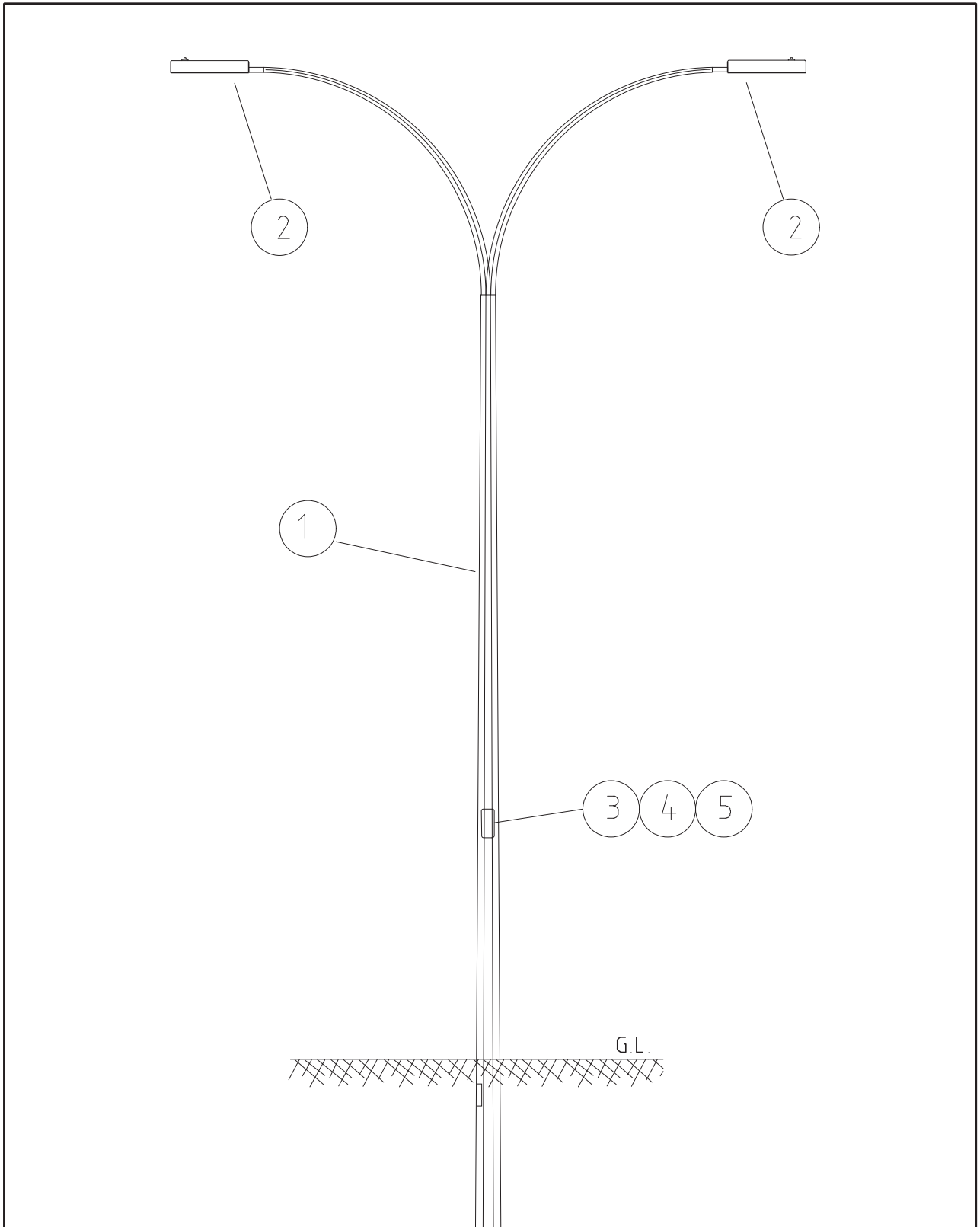
ITEM NUMBER	STOCK CODE	DESCRIPTION	QTY REQD	UNIT OF MEASURE	REMARKS
2	HL3346	Luminaire adaptor for Road Flair luminaire	1		

<b>SL18_BOURKE</b>	<b>Luminaire adaptor to fit - Bourke Hill Luminaire</b>
--------------------	---

ITEM NUMBER	STOCK CODE	DESCRIPTION	QTY REQD	UNIT OF MEASURE	REMARKS
3	HL3347	Luminaire adaptor for B/Hill LED	1		

<b>SL18_REDUCE</b>	<b>Luminaire adaptor RoadFlair to non-standard columns</b>
--------------------	--

ITEM NUMBER	STOCK CODE	DESCRIPTION	QTY REQD	UNIT OF MEASURE	REMARKS
4	HL3342	Luminaire adaptor for RoadFlair to non-std columns	1		



**NOTE:-**

1. REFER TO R26 AND R27 FOR STREET LIGHT WIRING / SYSTEM DESIGN.

(FOR LED LUMINAIRES)

			COMPATIBLE UNIT			DISTRIBUTION DESIGN CATALOGUE		westernpower	
			TITLE			DRAWN: JRR DATE: 22-04-2014		DRG. No.	
			DOUBLE OUTREACH STEEL STANDARD - 6.5m			ORIGINATED: SCALE: NTS		SL20-1	
						CHECKED: REE		REV. E	
						APPROVED: GRANT STACY		SHT.	
REV	DATE	DESCRIPTION	DRG.	CHKD.	APRD.				
E	24.06.20	ITEM 5 (H20135) ADDED		CD	REE	GS			
D	17.08.18	LED LUMINAIRE ADDED		REE	JC	FK			
C	08.08.01	ORIGINAL ISSUE							



CU	CU Description
----	----------------

### Colour Temperature 4000

SL20_1L Double outreach steel standard 6.5m 20W LED (equiv 42W CFL)					
ITEM NUMBER	STOCK CODE	DESCRIPTION	QTY REQD	UNIT OF MEASURE	REMARKS
1	CW1331	POLE 6.5M	1		
2	HL6300	LED Luminaire with 8m cable	1		
2	HL5557	NEMA base PE Cell	1		
3	GF1300	fuse cartridge 10 amp	2		
4	HZ0131	SL fuse cut-out	1		
5	HZ0135	Cut-out mounting bracket	1		

SL20_2L Double outreach steel standard 6.5m 53W LED (equiv 125W MV)					
ITEM NUMBER	STOCK CODE	DESCRIPTION	QTY REQD	UNIT OF MEASURE	REMARKS
1	CW1331	POLE 6.5M	1		
2	HL6303	LED Luminaire with 15m cable	1		
2	HL5557	NEMA base PE Cell	1		
3	GF1300	fuse cartridge 10 amp	2		
4	HZ0131	SL fuse cut-out	1		
5	HZ0135	Cut-out mounting bracket	1		

SL20_3L Double outreach steel standard 6.5m 36W LED (equiv 70W MH & HPS)					
ITEM NUMBER	STOCK CODE	DESCRIPTION	QTY REQD	UNIT OF MEASURE	REMARKS
1	CW1331	POLE 6.5M	1		
2	HL6306	LED Luminaire with 8m cable	1		
2	HL5557	NEMA base PE Cell	1		
3	GF1300	fuse cartridge 10 amp	2		
4	HZ0131	SL fuse cut-out	1		
5	HZ0135	Cut-out mounting bracket	1		

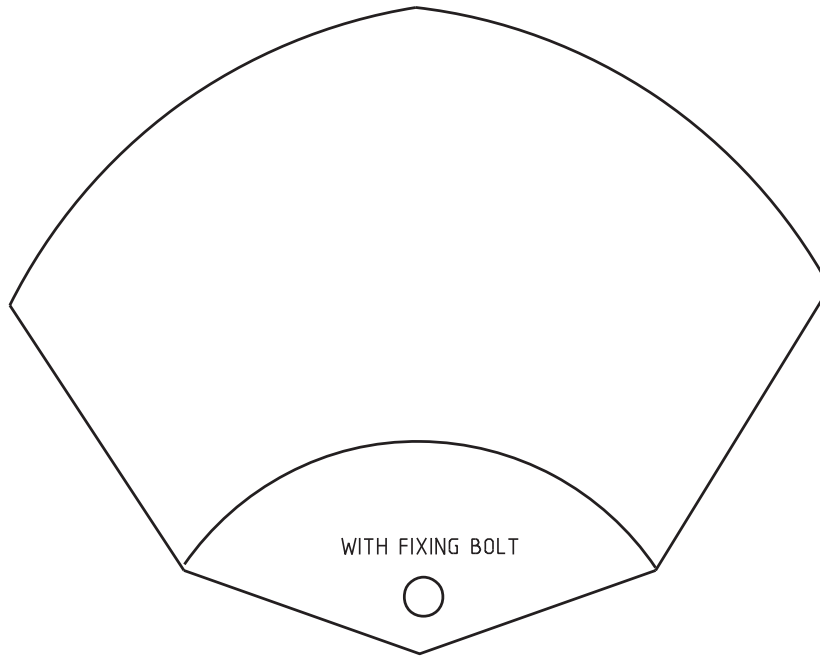
### Colour Temperature 3000

SL20_1E Double outreach steel standard 6.5m 20W LED (equiv 42W CFL)					
ITEM NUMBER	STOCK CODE	DESCRIPTION	QTY REQD	UNIT OF MEASURE	REMARKS
1	CW1331	POLE 6.5M	1		
2	HL6301	LED Luminaire with 8m cable	1		
2	HL5557	NEMA base PE Cell	1		
3	GF1300	fuse cartridge 10 amp	2		
4	HZ0131	SL fuse cut-out	1		
5	HZ0135	Cut-out mounting bracket	1		

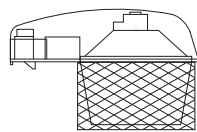
<b>CU</b>	<b>CU Description</b>
-----------	-----------------------

<b>SL20_2E Double outreach steel standard 6.5m 53W LED (equiv 125W MV)</b>					
ITEM NUMBER	STOCK CODE	DESCRIPTION	QTY REQD	UNIT OF MEASURE	REMARKS
1	CW1331	POLE 6.5M	1		
2	HL6304	LED Luminaire with 15m cable	1		
2	HL5557	NEMA base PE Cell	1		
3	GF1300	fuse cartridge 10 amp	2		
4	HZ0131	SL fuse cut-out	1		
5	HZ0135	Cut-out mounting bracket	1		

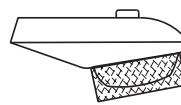
<b>SL20_3E Double outreach steel standard 6.5m 36W LED (equiv 70W MH &amp; HPS)</b>					
ITEM NUMBER	STOCK CODE	DESCRIPTION	QTY REQD	UNIT OF MEASURE	REMARKS
1	CW1331	POLE 6.5M	1		
2	HL6307	LED Luminaire with 8m cable	1		
2	HL5557	NEMA base PE Cell	1		
3	GF1300	fuse cartridge 10 amp	2		
4	HZ0131	SL fuse cut-out	1		
5	HZ0135	Cut-out mounting bracket	1		



GLARE SHIELD



HL0708 - 80W SYLVANIA  
HL0701 - 125W SYLVANIA



HL0703 - 150/250W GEC  
HL0707 - 250W HPS & MV SYLVANIA

LAMP GUARD

				COMPATIBLE UNIT		DISTRIBUTION DESIGN CATALOGUE		westernpower	
				TITLE		DRAWN: JRR DATE: 22-04-2014		DRG. No.	
				GLARE SHIELD AND LAMP GUARD FOR TRADITIONAL		ORIGINATED: SCALE: NTS		SL21	
						CHECKED: REE		REV: B	
						APPROVED: GRANT STACY		SHT.	
REV	DATE	DESCRIPTION	ORGO.	CHKD.	APROD.				
B	12.03.20	TITLE REVISED		REE	NN	GS			
A	10.06.10	ORIGINAL ISSUE							

<b>CU</b>	<b>CU Description</b>
-----------	-----------------------

<b>SL21_SHADEMP</b>		<b>Light shade installation menu price</b>			
<b>ITEM NUMBER</b>	<b>STOCK CODE</b>	<b>DESCRIPTION</b>	<b>QTY RQD</b>	<b>UNIT OF MEASURE</b>	<b>REMARKS</b>
	HL0715	Diffuser, Light-glare shield	1	ea	

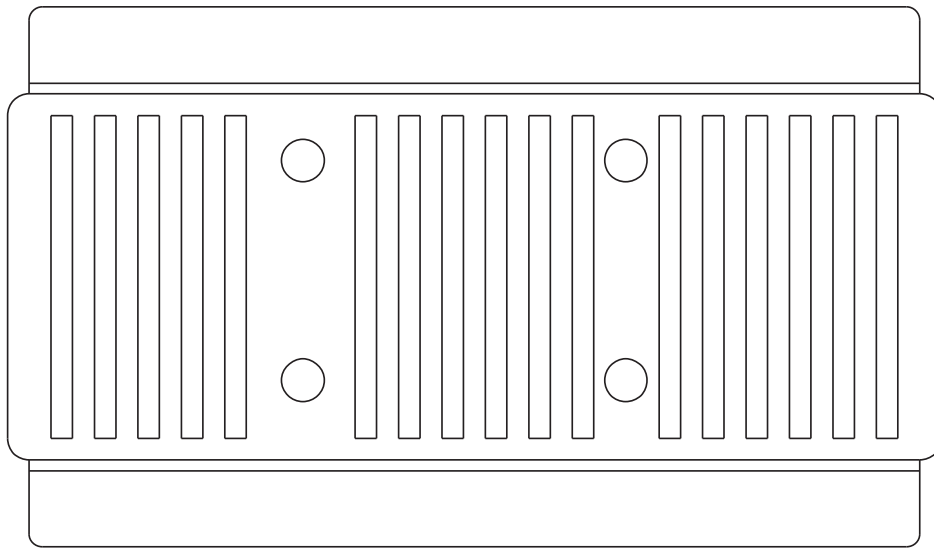
<b>SL21_42</b>		<b>Glare shield for 42W CFL SL</b>			
<b>ITEM NUMBER</b>	<b>STOCK CODE</b>	<b>DESCRIPTION</b>	<b>QTY RQD</b>	<b>UNIT OF MEASURE</b>	<b>REMARKS</b>
	HL0590	Glare shield for 42W CFL suburban	1	ea	

<b>SL21_70B</b>		<b>Glare shield (Back) for 70W &amp; 125W SL</b>			
<b>ITEM NUMBER</b>	<b>STOCK CODE</b>	<b>DESCRIPTION</b>	<b>QTY RQD</b>	<b>UNIT OF MEASURE</b>	<b>REMARKS</b>
	HL0592	Glare shield (Back) for 70W & 125W Urban	1	ea	

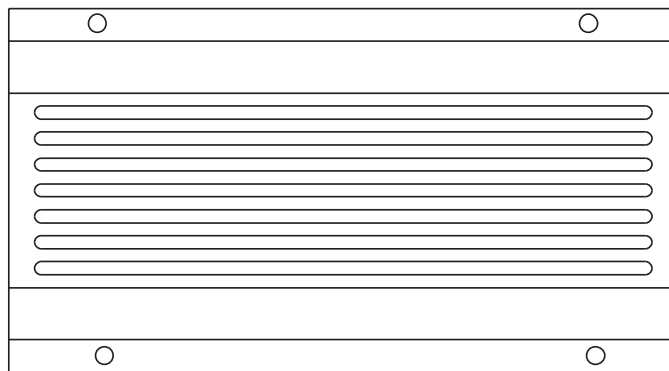
<b>SL21_70FB</b>		<b>Glare shield (Front &amp; Back) for 70W &amp; 125W SL</b>			
<b>ITEM NUMBER</b>	<b>STOCK CODE</b>	<b>DESCRIPTION</b>	<b>QTY RQD</b>	<b>UNIT OF MEASURE</b>	<b>REMARKS</b>
	HL0593	Glare shield (Front & Back) for 70W & 125W Urban pathway	1	ea	

<b>SL21_80</b>		<b>Glare shield for 50W &amp; 80W MV SL</b>			
<b>ITEM NUMBER</b>	<b>STOCK CODE</b>	<b>DESCRIPTION</b>	<b>QTY RQD</b>	<b>UNIT OF MEASURE</b>	<b>REMARKS</b>
	HL0715	Glare shield for 50W & 80W Sylvania	1	ea	

<b>SL21_150</b>		<b>Glare shield for 150W &amp; 250W SL</b>			
<b>ITEM NUMBER</b>	<b>STOCK CODE</b>	<b>DESCRIPTION</b>	<b>QTY RQD</b>	<b>UNIT OF MEASURE</b>	<b>REMARKS</b>
	HL0591	Glare shield for 150W & 250W Roadster	1	ea	



ROAD FLAIR (3 SIZES)



ROAD GRACE

				COMPATIBLE UNIT			DISTRIBUTION DESIGN CATALOGUE		westernpower	
				TITLE			DRAWN: JRR DATE: 22-04-2014		DRG. No.	
				STREET LIGHT SHIELD			ORIGINATED: SCALE: NTS		SL21-1	
							CHECKED: REE		REV. SHT.	
							APPROVED: GRANT STACY		B	
B	17.08.18	REVISED TO SUIT LED LUMINAIRE		REE	JC	FK				
A	10.06.10	ORIGINAL ISSUE								
REV	DATE	DESCRIPTION		ORGD.	CHKD.	APRD.				

<b>CU</b>	<b>CU Description</b>
-----------	-----------------------

<b>SL21_GRACE</b>	<b>Glare shield for Road Grace LED</b>
-------------------	--

ITEM NUMBER	STOCK CODE	DESCRIPTION	QTY REQD	UNIT OF MEASURE	REMARKS
1	HL0740	Glare shield for Road Grace (Philips) luminaire	1	ea	

<b>SL21_FLR_4L</b>	<b>Glare shield for Flair 80W LED</b>
--------------------	---------------------------------------

ITEM NUMBER	STOCK CODE	DESCRIPTION	QTY REQD	UNIT OF MEASURE	REMARKS
1	HL0741	Glare shield for Road Flair (Philips) luminaire	1	ea	

<b>SL21_FLR_5L</b>	<b>Glare shield for Flair 160W LED</b>
--------------------	--

ITEM NUMBER	STOCK CODE	DESCRIPTION	QTY REQD	UNIT OF MEASURE	REMARKS
1	HL0742	Glare shield for Road Flair (Philips) luminaire	1	ea	

<b>SL21_FLR_6L</b>	<b>Glare shield for Flair 170W LED</b>
--------------------	--

ITEM NUMBER	STOCK CODE	DESCRIPTION	QTY REQD	UNIT OF MEASURE	REMARKS
1	HL0743	Glare shield for Road Flair (Philips) luminaire	1	ea	

<b>SL21_FLR_4E</b>	<b>Glare shield for Flair 80W LED</b>
--------------------	---------------------------------------

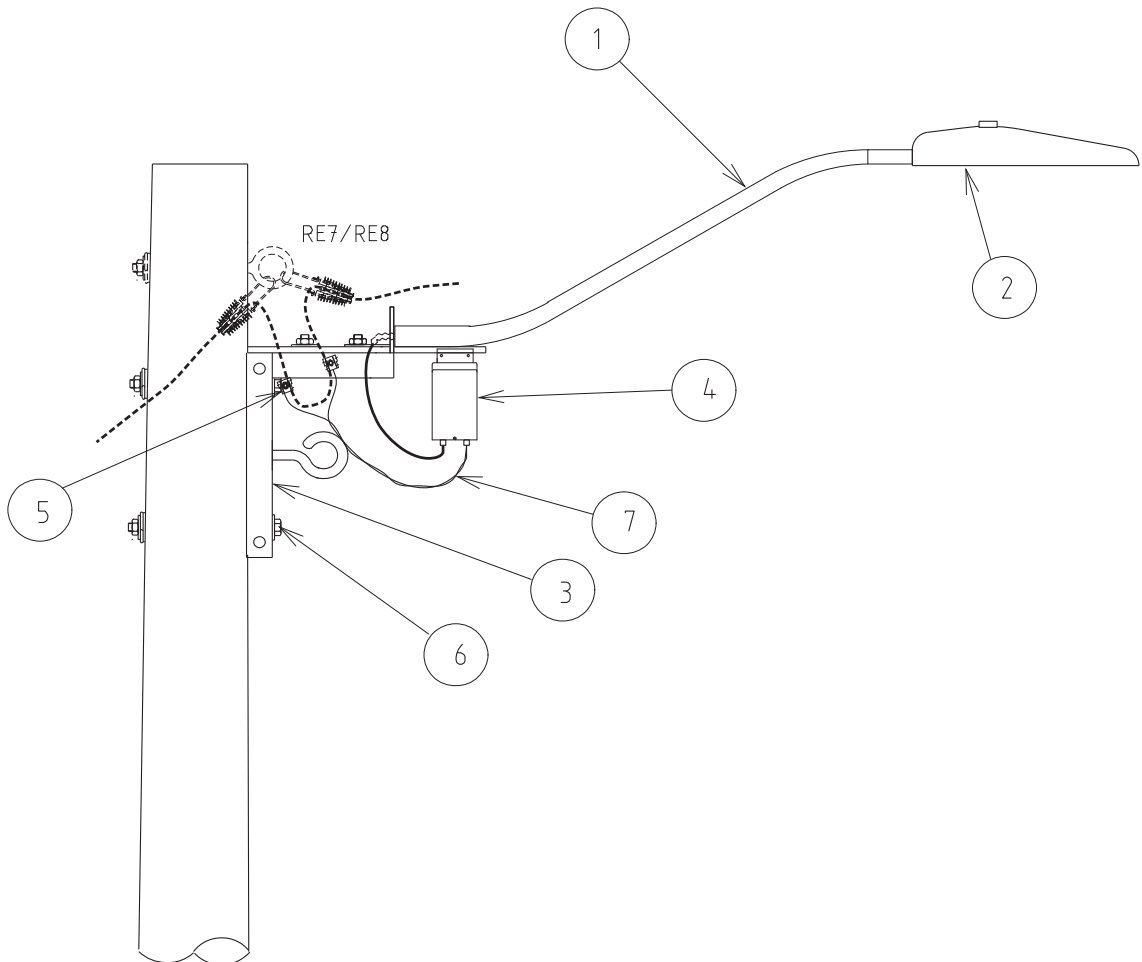
ITEM NUMBER	STOCK CODE	DESCRIPTION	QTY REQD	UNIT OF MEASURE	REMARKS
1	HL0741	Glare shield for Road Flair (Philips) luminaire	1	ea	

<b>SL21_FLR_5E</b>	<b>Glare shield for Flair 160W LED</b>
--------------------	--

ITEM NUMBER	STOCK CODE	DESCRIPTION	QTY REQD	UNIT OF MEASURE	REMARKS
1	HL0742	Glare shield for Road Flair (Philips) luminaire	1	ea	

<b>SL21_FLR_6E</b>	<b>Glare shield for Flair 170W LED</b>
--------------------	--

ITEM NUMBER	STOCK CODE	DESCRIPTION	QTY REQD	UNIT OF MEASURE	REMARKS
1	HL0743	Glare shield for Road Flair (Philips) luminaire	1	ea	



NOTES:-

1. IF ARTERIAL LIGHTING IS TO BE FITTED TO MINOR ROAD LAYOUT REFER TO SL18 FOR BRACKETS.
2. REMOVE MINOR ROAD LUMINAIRE AND REPLACE WITH ARTERIAL ROAD LUMINAIRE REQUIREMENT.

(FOR LED LUMINAIRES)

				COMPATIBLE UNIT		DISTRIBUTION DESIGN CATALOGUE			
				TITLE		DRAWN: JRR		DATE: 22-04-2014	
				STREET LIGHT FEED		ORIGINATED:		SCALE: NTS	
				MINOR ROAD		CHECKED: REE		DRG. No.	
				WOOD POLE WITHOUT CROSSARM		APPROVED:		SL23-1	
REV	DATE	DESCRIPTION	ORGO.	CHKD.	APRD.	GRANT STACY		REV.	SHT.
B	17.08.18	LED LUMINAIRE ADDED		REE	JC	FK		B	
A	08.08.01	ORIGINAL ISSUE							

CU	CU Description
----	----------------

### Colour Temperature 4000

SL23_1L Streetlight Feed - Minor road Wood pole without xarm_20W LED (equiv 42W CFL)					
ITEM NUMBER	STOCK CODE	DESCRIPTION	QTY REQD	UNIT OF MEASURE	REMARKS
1	CB0424	bracket	1		
2	HL6300	LED Luminaire with 8m cable	1		
2	HL5557	NEMA base PE Cell	1		
3	CB3020	universal bracket with nuts and bolts	1		
4	GF1804	Fuse holder with no fuse	1		
4	GF0925	10amp fuse	1		
5	CC0063	IPC - 16mm XLPE to 4mm conductor	2		
6	AB6732	pole bolt - 16 dia x 550lg with nuts& Washers	2		
7	EE1120	6mm copper xlpe	1	metres	

SL23_2L Streetlight Feed - Minor road Wood pole without xarm_53W LED (equiv 125W MV)					
ITEM NUMBER	STOCK CODE	DESCRIPTION	QTY REQD	UNIT OF MEASURE	REMARKS
1	CB0424	bracket	1		
2	HL6303	LED Luminaire with 15m cable	1		
2	HL5557	NEMA base PE Cell	1		
3	CB3020	universal bracket with nuts and bolts	1		
4	GF1804	Fuse holder with no fuse	1		
4	GF0925	10amp fuse	1		
5	CC0063	IPC - 16mm XLPE to 4mm conductor	2		
6	AB6732	pole bolt - 16 dia x 550lg with nuts& Washers	2		
7	EE1120	6mm copper xlpe	1	metres	

SL23_3L Streetlight Feed - Minor road Wood pole without xarm_36W LED (equiv 70W MH & HPS)					
ITEM NUMBER	STOCK CODE	DESCRIPTION	QTY REQD	UNIT OF MEASURE	REMARKS
1	CB0424	bracket	1		
2	HL6306	LED Luminaire with 8m cable	1		
2	HL5557	NEMA base PE Cell	1		
3	CB3020	universal bracket with nuts and bolts	1		
4	GF1804	Fuse holder with no fuse	1		
4	GF0925	10amp fuse	1		
5	CC0063	IPC - 16mm XLPE to 4mm conductor	2		
6	AB6732	pole bolt - 16 dia x 550lg with nuts& Washers	2		
7	EE1120	6mm copper xlpe	1	metres	



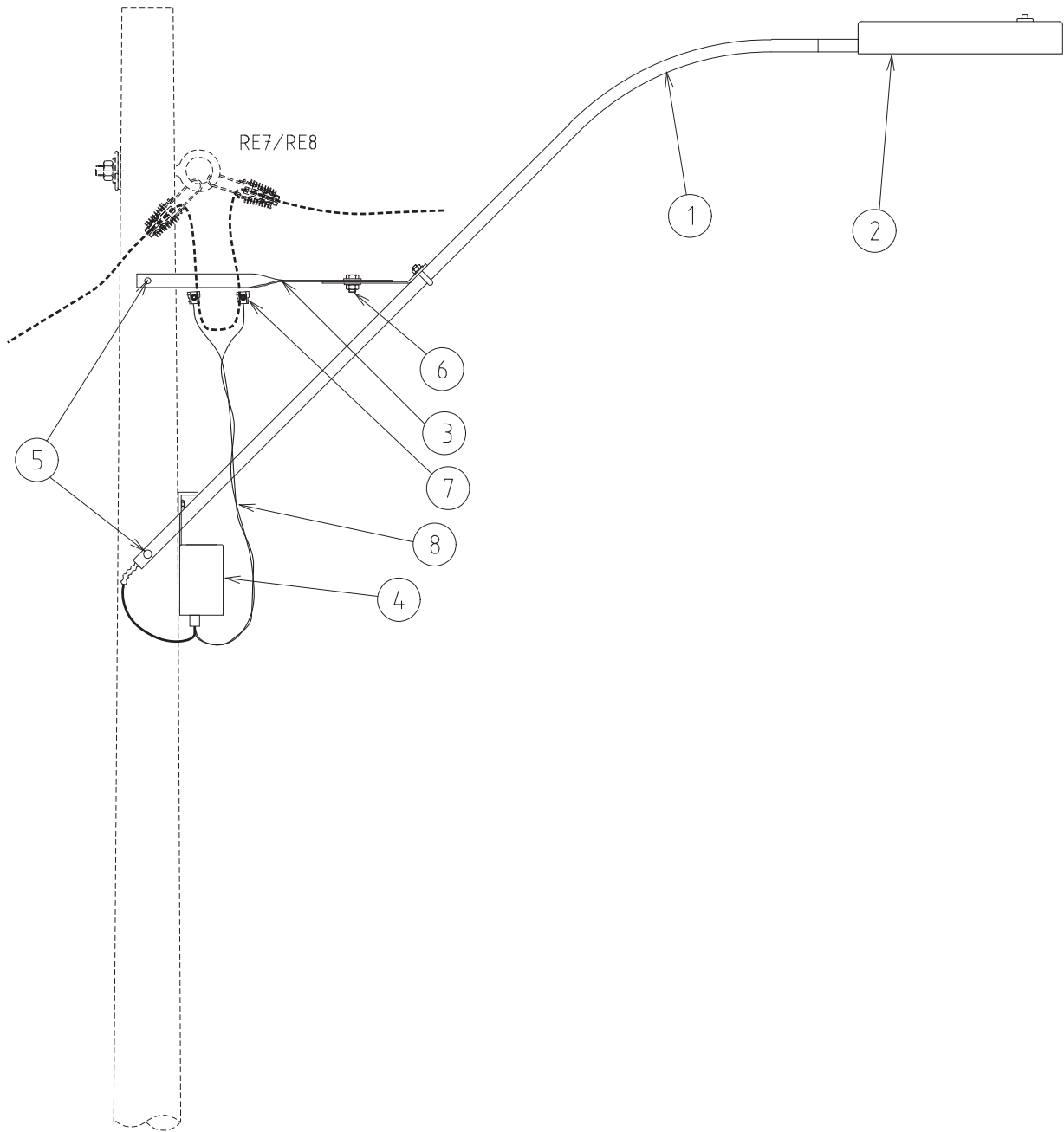
CU	CU Description
----	----------------

### Colour Temperature 3000

SL23_1E Streetlight Feed - Minor road Wood pole without xarm_20W LED (equiv 42W CFL)					
ITEM NUMBER	STOCK CODE	DESCRIPTION	QTY REQD	UNIT OF MEASURE	REMARKS
1	CB0424	bracket	1		
2	HL6301	LED Luminaire with 8m cable	1		
2	HL5557	NEMA base PE Cell	1		
3	CB3020	universal bracket with nuts and bolts	1		
4	GF1804	Fuse holder with no fuse	1		
4	GF0925	10amp fuse	1		
5	CC0063	IPC - 16mm XLPE to 4mm conductor	2		
6	AB6732	pole bolt - 16 dia x 550lg with nuts& Washers	2		
7	EE1120	6mm copper xlpe	1	metres	

SL23_2E Streetlight Feed - Minor road Wood pole without xarm_53W LED (equiv 125W MV)					
ITEM NUMBER	STOCK CODE	DESCRIPTION	QTY REQD	UNIT OF MEASURE	REMARKS
1	CB0424	bracket	1		
2	HL6304	LED Luminaire with 15m cable	1		
2	HL5557	NEMA base PE Cell	1		
3	CB3020	universal bracket with nuts and bolts	1		
4	GF1804	Fuse holder with no fuse	1		
4	GF0925	10amp fuse	1		
5	CC0063	IPC - 16mm XLPE to 4mm conductor	2		
6	AB6732	pole bolt - 16 dia x 550lg with nuts& Washers	2		
7	EE1120	6mm copper xlpe	1	metres	

SL23_3E Streetlight Feed - Minor road Wood pole without xarm_36W LED (equiv 70W MH & HPS)					
ITEM NUMBER	STOCK CODE	DESCRIPTION	QTY REQD	UNIT OF MEASURE	REMARKS
1	CB0424	bracket	1		
2	HL6307	LED Luminaire with 8m cable	1		
2	HL5557	NEMA base PE Cell	1		
3	CB3020	universal bracket with nuts and bolts	1		
4	GF1804	Fuse holder with no fuse	1		
4	GF0925	10amp fuse	1		
5	CC0063	IPC - 16mm XLPE to 4mm conductor	2		
6	AB6732	pole bolt - 16 dia x 550lg with nuts& Washers	2		
7	EE1120	6mm copper xlpe	1	metres	



NOTES:-

1. IF MINOR ROAD LIGHTING IS TO BE FITTED TO ARTERIAL ROAD LAYOUT REFER TO SL18 FOR BRACKETS.
2. REMOVE ARTERIAL ROAD LUMINAIRE AND REPLACE WITH MINOR ROAD LUMINAIRE REQUIREMENT.

(FOR LED LUMINAIRES)

				COMPATIBLE UNIT		DISTRIBUTION DESIGN CATALOGUE			
				TITLE		DRAWN: JRR DATE: 22-04-2014 DRG. No.			
				STREET LIGHT FEED		ORIGINATED: SCALE: NTS		SL24-1	
				WOOD POLE WITHOUT CROSSARM		CHECKED: REE		REV. B	
						APPROVED: GRANT STACY		SHT.	
REV	DATE	DESCRIPTION	DRG.	CHKD.	APRD.				
B	17.08.18	LED LUMINAIRE ADDED		REE	JC	FK			
A	22.04.13	ORIGINAL ISSUE							

CU	CU Description
----	----------------

### Colour Temperature 4000

SL24_4L Streetlight Feed - Arterial road Wood pole without xarm_80W LED (equiv 150W HPS & MH)					
ITEM NUMBER	STOCK CODE	DESCRIPTION	QTY REQD	UNIT OF MEASURE	REMARKS
1	CB0278	bracket with nuts & bolts	1		
2	HL6309	LED Luminaire with 15m cable	1		
2	HL5557	NEMA base PE Cell	1		
3	CB0548	twisted bracket	2		
4	GF1804	Fuse holder with no fuse	1		
4	GF0925	10amp fuse	1		
5	AB6741	pole bolt - 12 dia supplied with nuts& Washers	2		
6	AB4551	12 dia bolt 40 long with nut	1		
7	CC0063	IPC - 16mm XLPE to 4mm conductor	2		
8	EE1120	6mm copper xlpe	2	metres	

SL24_5L Streetlight Feed - Arterial road Wood pole without xarm_160W LED (equiv 250W MH)					
ITEM NUMBER	STOCK CODE	DESCRIPTION	QTY REQD	UNIT OF MEASURE	REMARKS
1	CB0278	bracket with nuts & bolts	1		
2	HL6312	LED Luminaire with 15m cable	1		
2	HL5557	NEMA base PE Cell	1		
3	CB0548	twisted bracket	2		
4	GF1804	Fuse holder with no fuse	1		
4	GF0925	10amp fuse	1		
5	AB6741	pole bolt - 12 dia supplied with nuts& Washers	2		
6	AB4551	12 dia bolt 40 long with nut	1		
7	CC0063	IPC - 16mm XLPE to 4mm conductor	2		
8	EE1120	6mm copper xlpe	2	metres	

SL24_6L Streetlight Feed - Arterial road Wood pole without xarm_170W LED (equiv 250W HPS)					
ITEM NUMBER	STOCK CODE	DESCRIPTION	QTY REQD	UNIT OF MEASURE	REMARKS
1	CB0278	bracket with nuts & bolts	1		
2	HL6315	LED Luminaire with 15m cable	1		
2	HL5557	NEMA base PE Cell	1		
3	CB0548	twisted bracket	2		
4	GF1804	Fuse holder with no fuse	1		
4	GF0925	10amp fuse	1		
5	AB6741	pole bolt - 12 dia supplied with nuts& Washers	2		
6	AB4551	12 dia bolt 40 long with nut	1		
7	CC0063	IPC - 16mm XLPE to 4mm conductor	2		
8	EE1120	6mm copper xlpe	2	metres	

CU	CU Description
----	----------------

### Colour Temperature 3000

SL24_4E Streetlight Feed - Arterial road Wood pole without xarm_80W LED (equiv 150W HPS & MH)					
ITEM NUMBER	STOCK CODE	DESCRIPTION	QTY REQD	UNIT OF MEASURE	REMARKS
1	CB0278	bracket with nuts & bolts	1		
2	HL6310	LED Luminaire with 15m cable	1		
2	HL5557	NEMA base PE Cell	1		
3	CB0548	twisted bracket	2		
4	GF1804	Fuse holder with no fuse	1		
4	GF0925	10amp fuse	1		
5	AB6741	pole bolt - 12 dia supplied with nuts& Washers	2		
6	AB4551	12 dia bolt 40 long with nut	1		
7	CC0063	IPC - 16mm XLPE to 4mm conductor	2		
8	EE1120	6mm copper xlpe	2	metres	

SL24_5E Streetlight Feed - Arterial road Wood pole without xarm_160W LED (equiv 250W MH)					
ITEM NUMBER	STOCK CODE	DESCRIPTION	QTY REQD	UNIT OF MEASURE	REMARKS
1	CB0278	bracket with nuts & bolts	1		
2	HL6313	LED Luminaire with 15m cable	1		
2	HL5557	NEMA base PE Cell	1		
3	CB0548	twisted bracket	2		
4	GF1804	Fuse holder with no fuse	1		
4	GF0925	10amp fuse	1		
5	AB6741	pole bolt - 12 dia supplied with nuts& Washers	2		
6	AB4551	12 dia bolt 40 long with nut	1		
7	CC0063	IPC - 16mm XLPE to 4mm conductor	2		
8	EE1120	6mm copper xlpe	2	metres	

SL24_6E Streetlight Feed - Arterial road Wood pole without xarm_170W LED (equiv 250W HPS)					
ITEM NUMBER	STOCK CODE	DESCRIPTION	QTY REQD	UNIT OF MEASURE	REMARKS
1	CB0278	bracket with nuts & bolts	1		
2	HL6316	LED Luminaire with 15m cable	1		
2	HL5557	NEMA base PE Cell	1		
3	CB0548	twisted bracket	2		
4	GF1804	Fuse holder with no fuse	1		
4	GF0925	10amp fuse	1		
5	AB6741	pole bolt - 12 dia supplied with nuts& Washers	2		
6	AB4551	12 dia bolt 40 long with nut	1		
7	CC0063	IPC - 16mm XLPE to 4mm conductor	2		
8	EE1120	6mm copper xlpe	2	metres	