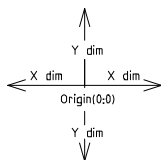
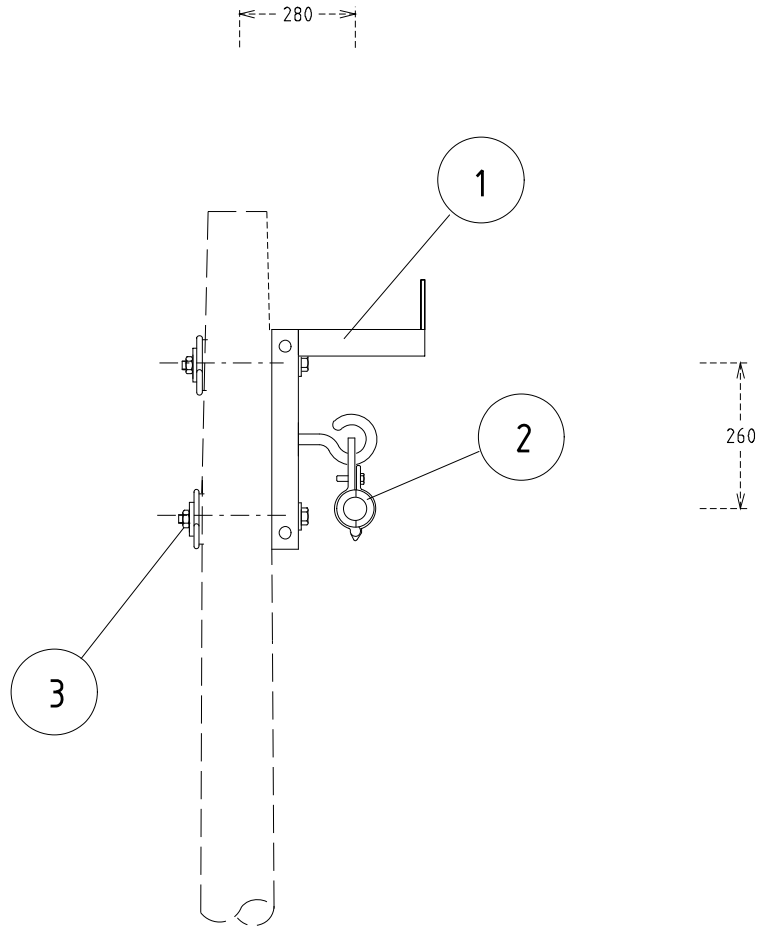


Low Voltage ABC List

CU	CU DESCRIPTION
AB1_95	Intermediate and angle 0 to 25_95
AB1_150	Intermediate and angle 0 to 25_150
AB2_95	Angle 26 to 50 _95
AB2_150	Angle 26 to 50 _150
AB3_95	Termination_95
AB3_150	Termination_150
AB4_95	Inline strain_95
AB4_150	Inline strain_150
AB4_95FS_H	Inline strain with FSDO_95 High Pollution
AB4_95FS	Inline strain with FSDO_95
AB4_105FS_H	Inline strain with FSDO_150 High Pollution
AB4_150FS	Inline strain with FSDO _150
AB5_95	Tee off _95
AB5_150	Tee off _150
AB6_95AL	Tee off-LV bare aluminium to ABC 95
AB6_150AL	Tee off-LV bare aluminium to ABC 150
AB11	Circuit breaker mounting bracket
AB12	Circuit breaker box
AB13	Circuit breaker 1 phase with box
AB14	Circuit breaker 3 phase with box
AB18_95AL	Tee off-LV bare aluminium to fused ABC 95
AB18_150AL	Tee off-LV bare aluminium to fused ABC 150
AB18_95AL_H	Tee off-LV bare aluminium to fused ABC 95 High Pollution
AB18_150AL_H	Tee off-LV bare aluminium to fused ABC 150 High Pollution



Cable Design Dimensions

	X dim	Y dim
Bundle	280	260

Origin - Top Bracket bolt (0:0)

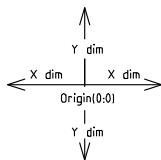
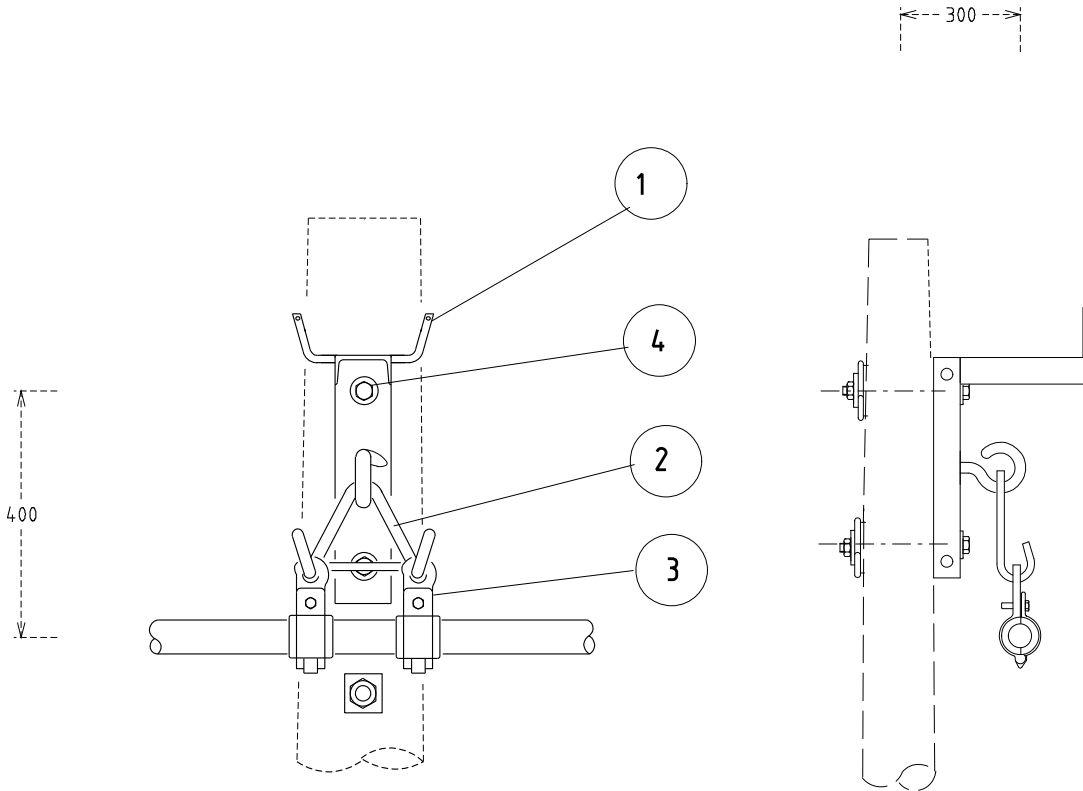
				COMPATIBLE UNIT		DISTRIBUTION DESIGN CATALOGUE			
				TITLE		DRAWN: JRR DATE: 31-03-2014		DRG. No.	
				INTERMEDIATE & ANGLE 0°-25°		ORIGINATED: SCALE: NTS		AB01	
						CHECKED: REE			
						APPROVED: GRANT STACY		REV. A SHY.	
A	02.04.13	ORIGINAL ISSUE		ORGD.	CHKD.	APRD.			
REV	DATE	DESCRIPTION							



CU	CU Description
----	----------------

AB1_95		Intermediate and angle 0 to 25_95			
ITEM NUMBER	STOCK CODE	DESCRIPTION	QTY RQD	UNIT OF MEASURE	REMARKS
1	CB3020	universal bracket	1	ea	
2	CC0101	suspension clamp - 95	1	ea	
3	AB6732	Pole bolt - 16 dia x 550mm lg with nut and washers	2	ea	

AB1_150		Intermediate and angle 0 to 25_150			
ITEM NUMBER	STOCK CODE	DESCRIPTION	QTY RQD	UNIT OF MEASURE	REMARKS
1	CB3020	universal bracket	1	ea	
2	CC0110	suspension clamp - 150	1	ea	
3	AB6732	Pole bolt - 16 dia x 550mm lg with nut and washers	2	ea	



Cable Design Dimensions

	X dim	Y dim
Bundle	300	400

Origin - Top Bracket bolt (0:0)

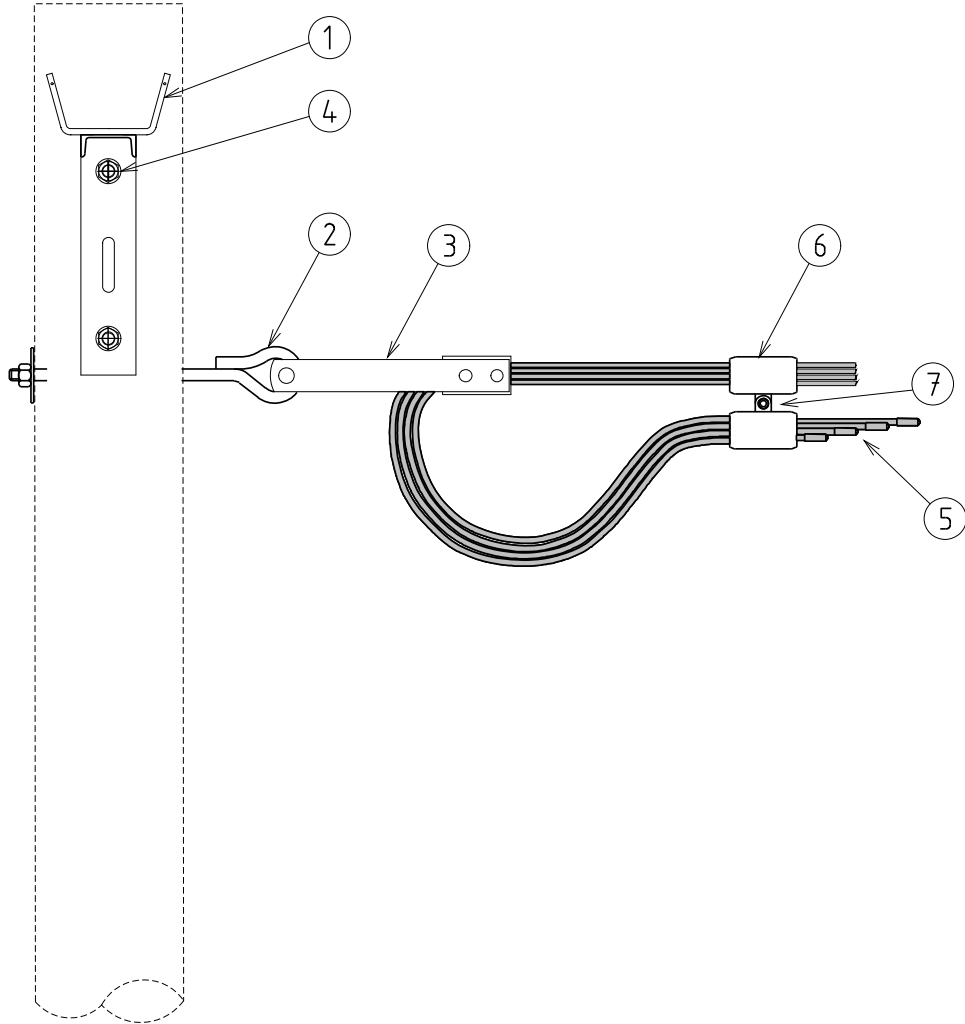
NOTE:- REFER TO LVABC MANUAL TO DETERMINE IF BAULK REQUIRED. STOCK No. CZ0388

				COMPATIBLE UNIT			DISTRIBUTION DESIGN CATALOGUE			
				TITLE			DRAWN: JRR		DATE: 31-03-2014	
				ANGLE 26°-50°			ORIGINATED:		SCALE: NTS	
							CHECKED: REE		REV. A	
							APPROVED: GRANT STACY		SHT.	
REV	DATE	DESCRIPTION	ORGD.	CHKD.	APRD.			AB02		
A	08.08.01	ORIGINAL ISSUE						A		

CU	CU Description
----	----------------

AB2_95		Angle 26 to 50_95			
ITEM NUMBER	STOCK CODE	DESCRIPTION	QTY ROD	UNIT OF MEASURE	REMARKS
1	CB3020	universal bracket	1	ea	
2	CC0090	hanger yoke	1	ea	
3	CC0101	suspension clamp - 95	2	ea	
4	AB6732	Pole bolt - 16 dia x 550mm lg with nut and washers	2	ea	

AB2_150		Angle 26 to 50_150			
ITEM NUMBER	STOCK CODE	DESCRIPTION	QTY ROD	UNIT OF MEASURE	REMARKS
1	CB3020	universal bracket	1	ea	
2	CC0090	hanger yoke	1	ea	
3	CC0110	suspension clamp - 150	2	ea	
4	AB6732	Pole bolt - 16 dia x 550mm lg with nut and washers	2	ea	



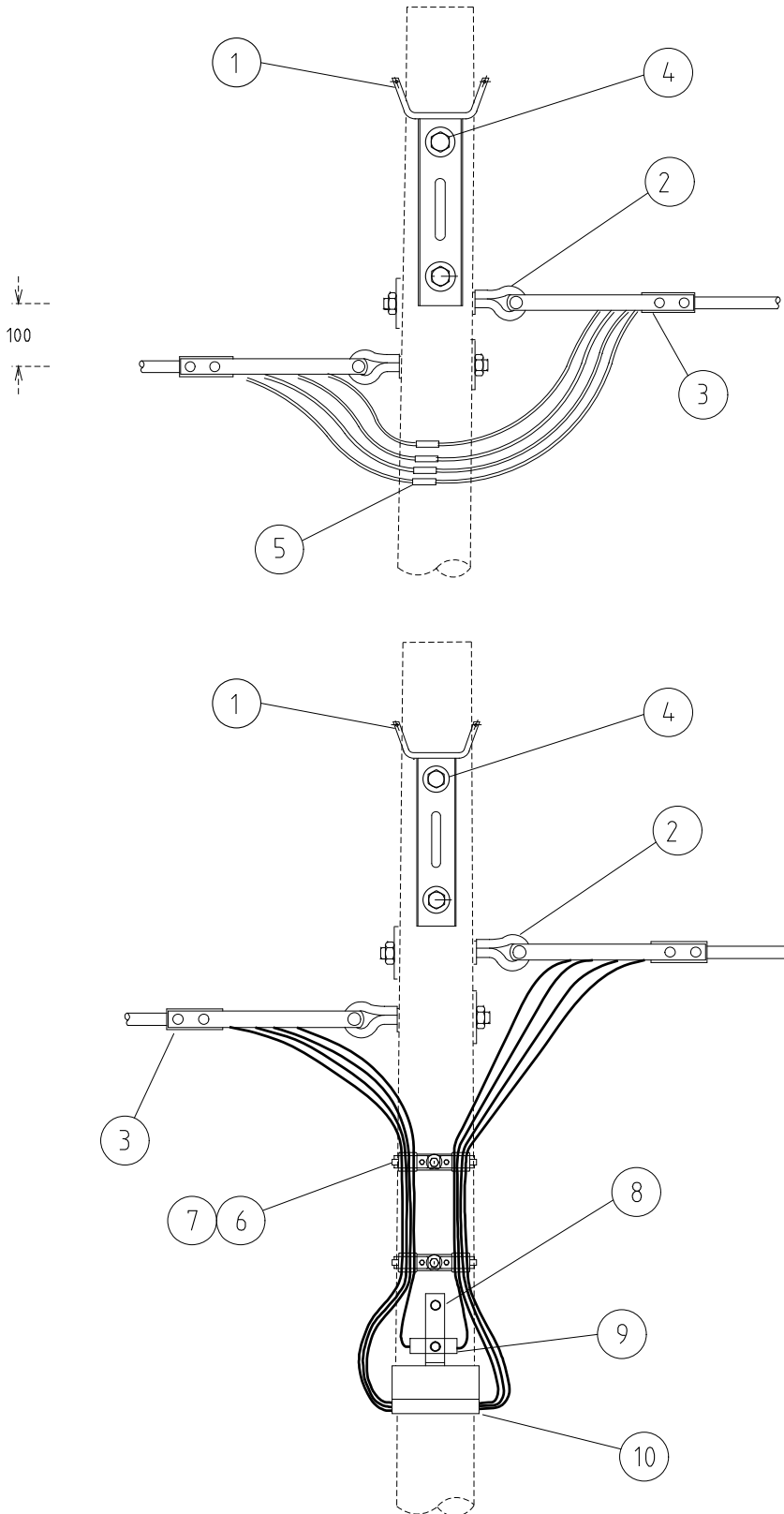
				COMPATIBLE UNIT			DISTRIBUTION DESIGN CATALOGUE		westernpower	
				TERMINATION			DRAWN: JRR DATE: 31-03-2014 DRG. No.		AB03	
							ORIGINATED: SCALE: NTS			
							CHECKED: REE			
							APPROVED: GRANT STACY		REV. B	
REV	DATE	DESCRIPTION	DRG.	CHKD.	APRD.					
B	27.11.19	DRAWING REVISED AND MORE ITEMS ADDED	CO	REE	GS					
A	02.04.13	ORIGINAL ISSUE								



CU	CU Description
----	----------------

AB3_95		Termination_95			
ITEM NUMBER	STOCK CODE	DESCRIPTION	QTY ROD	UNIT OF MEASURE	REMARKS
1	CB3020	universal bracket	1	ea	
2	AB6025	Eyebolt-16Ø x 400mm lg with nut and washer	1	ea	
3	CC0100	strain clamp	1	ea	
4	AB6732	Pole bolt - M16 x 550mm lg with nut and washers	2	ea	
5	CJ0063	End caps push on 95mm ²	4	ea	
6	CC0101	ABC Clamp	2	ea	
7	AB4600	M16 bolt, 50mm lg with nut	1	ea	

AB3_150		Termination_150			
ITEM NUMBER	STOCK CODE	DESCRIPTION	QTY ROD	UNIT OF MEASURE	REMARKS
1	CB3020	universal bracket	1	ea	
2	AB6025	Eyebolt-16Ø x 400mm lg with nut and washer	1	ea	
3	CC0100	strain clamp	1	ea	
4	AB6732	Pole bolt - M16 x 550mm lg with nut and washers	2	ea	
5	CJ0062	End caps push on 150 mm ²	4	ea	
6	CC0110	ABC Clamp	2	ea	
7	AB4600	M16 bolt, 50mm lg with nut	1	ea	



				COMPATIBLE UNIT		DISTRIBUTION DESIGN CATALOGUE		westernpower	
				TITLE		DRAWN: JRR		DATE: 31-03-2014	
				INLINE STRAIN		ORIGINATED:		SCALE: NTS	
						CHECKED: REE		ORG. No. AB04	
						APPROVED:		REV. B	
						GRANT STACY		SHT.	
REV	DATE	DESCRIPTION	ORGD.	CHKD.	APRD.				
B	23.08.17	ITEMS 6 TO 10 ADDED	CO	JC	GS				
A	02.04.13	ORIGINAL ISSUE							

CU	CU Description
-----------	-----------------------

AB4_95		Inline strain_95			
ITEM NUMBER	STOCK CODE	DESCRIPTION	QTY ROD	UNIT OF MEASURE	REMARKS
1	CB3020	universal bracket	1	ea	
2	AB6025	Eyebolt-16dia x 400mm lg with nut and washer	2	ea	
3	CC0100	strain clamp	2	ea	
4	AB6732	Pole bolt - 16 dia x 550mm lg with nut and washers	2	ea	
5	CJ0491	Full tension sleeve - 95	4	ea	

AB4_150		Inline strain_150			
ITEM NUMBER	STOCK CODE	DESCRIPTION	QTY ROD	UNIT OF MEASURE	REMARKS
1	CB3020	universal bracket	1	ea	
2	AB6025	Eyebolt-16dia x 400mm lg with nut and washer	2	ea	
3	CC0100	strain clamp	2	ea	
4	AB6732	Pole bolt - 16 dia x 550mm lg with nut and washers	2	ea	
5	CJ0490	Full tension sleeve - 150	4	ea	

AB4_95FSDO		Inline strain with FSDO_95			
ITEM NUMBER	STOCK CODE	DESCRIPTION	QTY ROD	UNIT OF MEASURE	REMARKS
1	CB3020	universal bracket	1	ea	
2	AB6025	Eyebolt-16dia x 400mm lg with nut and washer	2	ea	
3	CC0100	strain clamp	2	ea	
4	AB6732	Pole bolt - 16 dia x 550mm lg with nut and washers	2	ea	
6	CC0101	suspension clamp - 95	4	ea	
7	AB6733	Pole bolt 16 dia x 400mm lg with nut and washers	2	ea	
8	AB6741	Pole bolt 12 dia x 550mm lg with nut and washers	2	ea	
9	GS0109	Neutral Block	1	ea	
10	GS0111	Fuse disconnecter (Rated 400A)	1	ea	

AB4_95FS_H		Inline strain with FSDO_95 High Pollution			
ITEM NUMBER	STOCK CODE	DESCRIPTION	QTY ROD	UNIT OF MEASURE	REMARKS
1	CB3020	universal bracket	1	ea	
2	AB6025	Eyebolt-16dia x 400mm lg with nut and washer	2	ea	
3	CC0100	strain clamp	2	ea	
4	AB6732	Pole bolt - 16 dia x 550mm lg with nut and washers	2	ea	
6	CC0101	suspension clamp - 95	4	ea	
7	AB6733	Pole bolt 16 dia x 400mm lg with nut and washers	2	ea	
8	AB6741	Pole bolt 12 dia x 550mm lg with nut and washers	2	ea	
9	GS0109	Neutral Block	1	ea	
10	GS0111	Fuse disconnecter	1	ea	

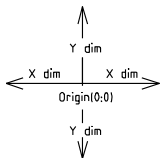
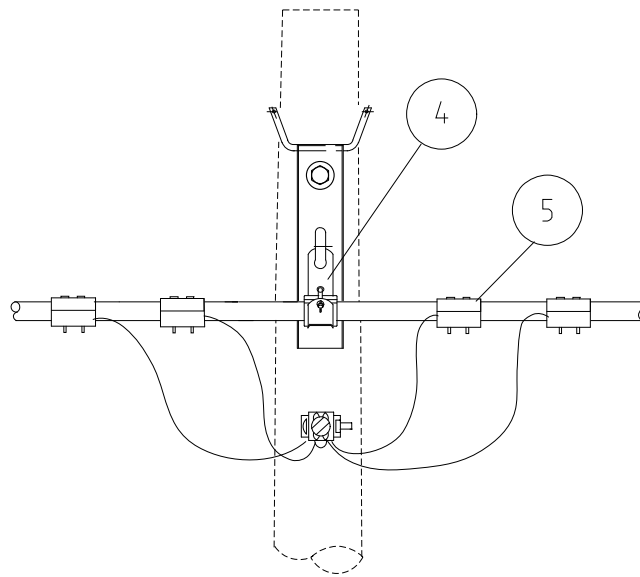
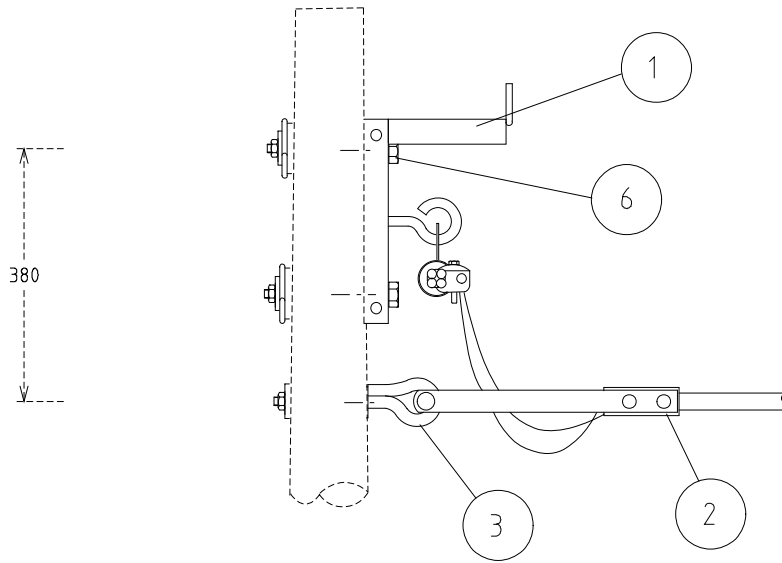


CU	CU Description
----	----------------

AB4_150FSDO		Inline strain with FSDO_150			
ITEM NUMBER	STOCK CODE	DESCRIPTION	QTY ROD	UNIT OF MEASURE	REMARKS
1	CB3020	universal bracket	1	ea	
2	AB6025	Eyebolt-16dia x 400mm lg with nut and washer	2	ea	
3	CC0100	strain clamp	2	ea	
4	AB6732	Pole bolt - 16 dia x 550mm lg with nut and washers	2	ea	
6	CC0110	suspension clamp - 150	4	ea	
7	AB6733	Pole bolt 16 dia x 400mm lg with nut and washers	2	ea	
8	AB6741	Pole bolt 12 dia x 550mm lg with nut and washers	2	ea	
9	GS0109	Neutral Block	1	ea	
10	GS0111	Fuse disconnecter (Rated 400A)	1	ea	

AB4_150FS_H		Inline strain with FSDO_150 High Pollution			
ITEM NUMBER	STOCK CODE	DESCRIPTION	QTY ROD	UNIT OF MEASURE	REMARKS
1	CB3020	universal bracket	1	ea	
2	AB6025	Eyebolt-16dia x 400mm lg with nut and washer	2	ea	
3	CC0100	strain clamp	2	ea	
4	AB6732	Pole bolt - 16 dia x 550mm lg with nut and washers	2	ea	
6	CC0110	suspension clamp - 150	4	ea	
7	AB6733	Pole bolt 16 dia x 400mm lg with nut and washers	2	ea	
8	AB6741	Pole bolt 12 dia x 550mm lg with nut and washers	2	ea	
9	GS0109	Neutral Block	1	ea	
10	GS0111	Fuse disconnecter	1	ea	





Cable Design Dimensions

	X dim	Y dim
Bundle	0	380

Origin - Top bracket bolt (0:0)

				COMPATIBLE UNIT		DISTRIBUTION DESIGN CATALOGUE			
				TITLE		DRAWN: JRR DATE: 31-03-2014		DRG. No.	
				TEE OFF		ORIGINATED: SCALE: NTS		AB05	
						CHECKED: REE		REV. A	
						APPROVED: GRANT STACY		SHT.	
REV	DATE	DESCRIPTION	ORGD.	CHKD.	APRD.				
A	08.08.01	ORIGINAL ISSUE							

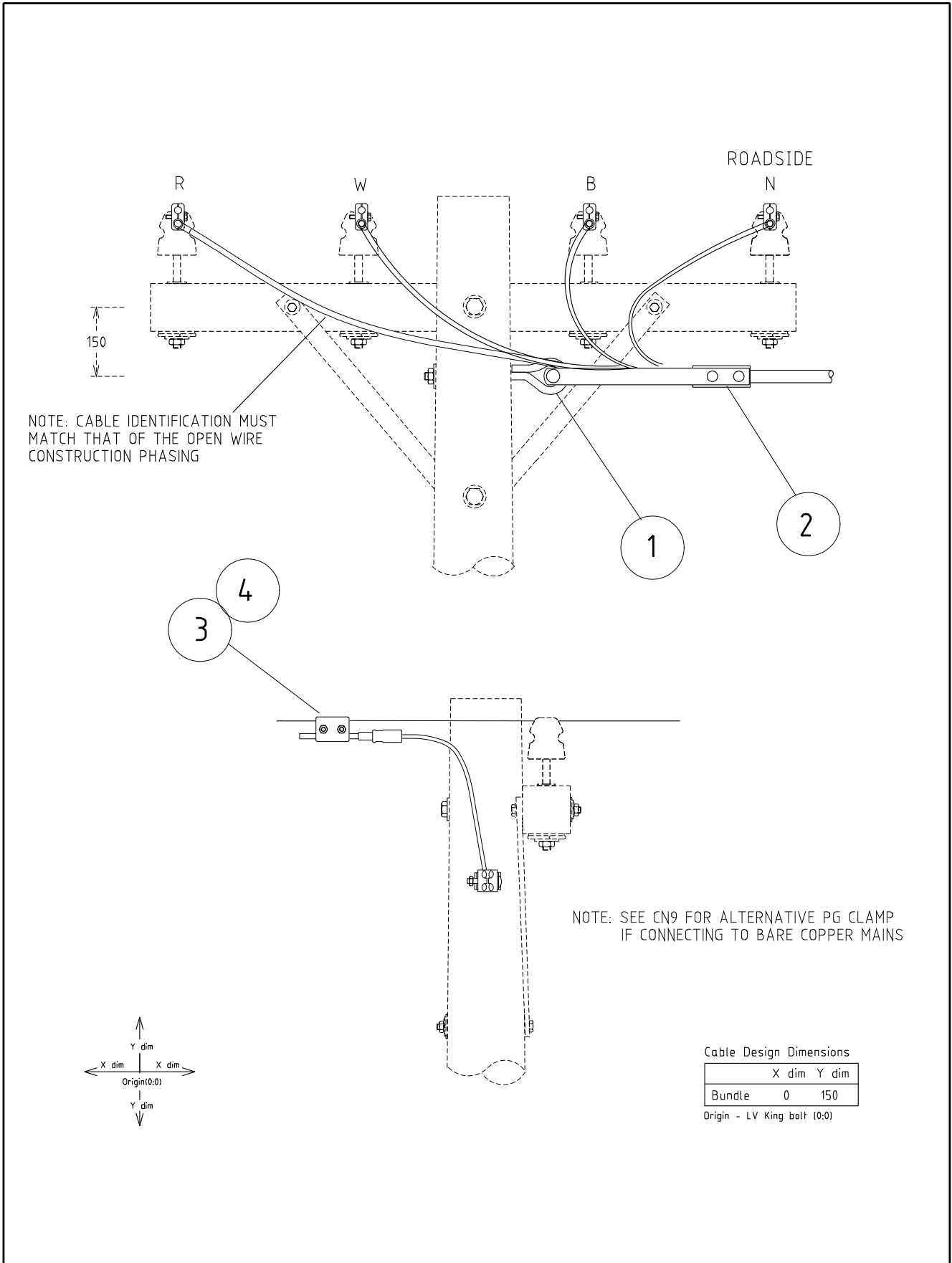


CU	CU Description
----	----------------

AB5_95		Tee off_95			
ITEM NUMBER	STOCK CODE	DESCRIPTION	QTY ROD	UNIT OF MEASURE	REMARKS
1	CB3020	universal bracket	1	ea	
2	CC0100	strain clamp	1	ea	
3	AB6025	Eyebolt-16dia x 400mm lg with nut and washer	1	ea	
4	CC0101	Suspension clamp - 95	1	ea	
5	CC0080	insulation piercing clamp - 95	4	ea	
6	AB6732	Pole bolt - 16 dia x 550mm lg with nut and washers	2	ea	

AB5_150		Tee off_150			
ITEM NUMBER	STOCK CODE	DESCRIPTION	QTY ROD	UNIT OF MEASURE	REMARKS
1	CB3020	universal bracket	1	ea	
2	CC0100	strain clamp	1	ea	
3	AB6025	Eyebolt-16dia x 400mm lg with nut and washer	1	ea	
4	CC0110	suspension clamp - 150	1	ea	
5	CC0081	insulation piercing clamp - 150	4	ea	
6	AB6732	Pole bolt - 16 dia x 550mm lg with nut and washers	2	ea	





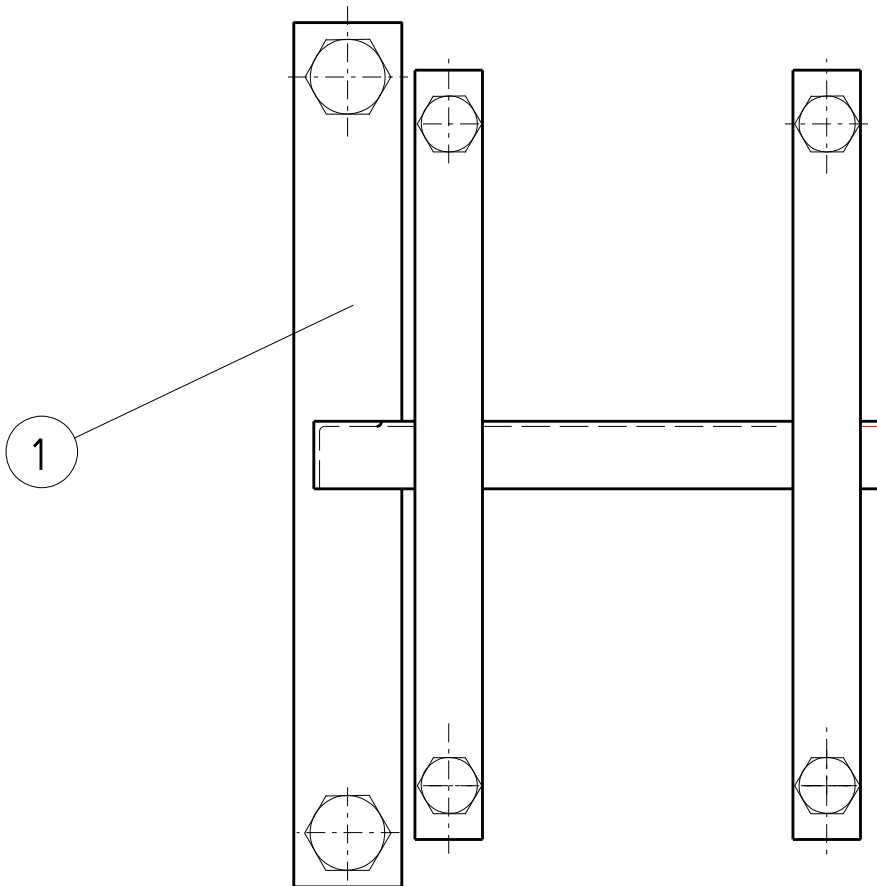
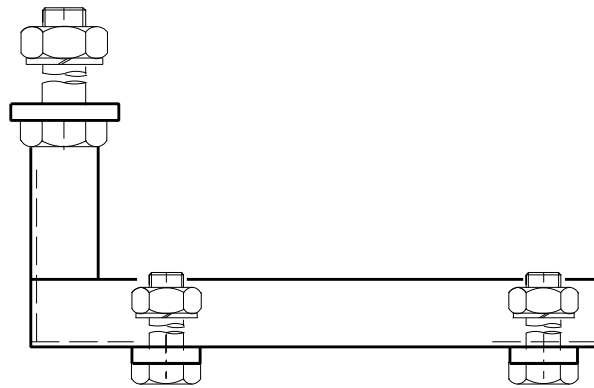
				COMPATIBLE UNIT		DISTRIBUTION DESIGN CATALOGUE		westernpower	
				TITLE		DRAWN: JRR DATE: 31-03-2014		DRG. No.	
				TEE OFF LV BARE TO ABC		ORIGINATED: SCALE: NTS		AB06	
						CHECKED: REE		REV. A	
						APPROVED: GRANT STACY		SHT.	
A	02.04.13	ORIGINAL ISSUE		ORGD.	CHKD.	APRD.			
REV	DATE	DESCRIPTION							



CU	CU Description
----	----------------

AB6_95AL		Tee off-LV bare_aluminium to ABC 95			
ITEM NUMBER	STOCK CODE	DESCRIPTION	QTY RQD	UNIT OF MEASURE	REMARKS
1	AB6025	Eyebolt-16dia x 400mm lg with nut and washer	1	ea	
2	CC0100	strain clamp	1	ea	
3	CC0138	PG clamp	4	ea	
4	CJ0494	stalk lug	4	ea	

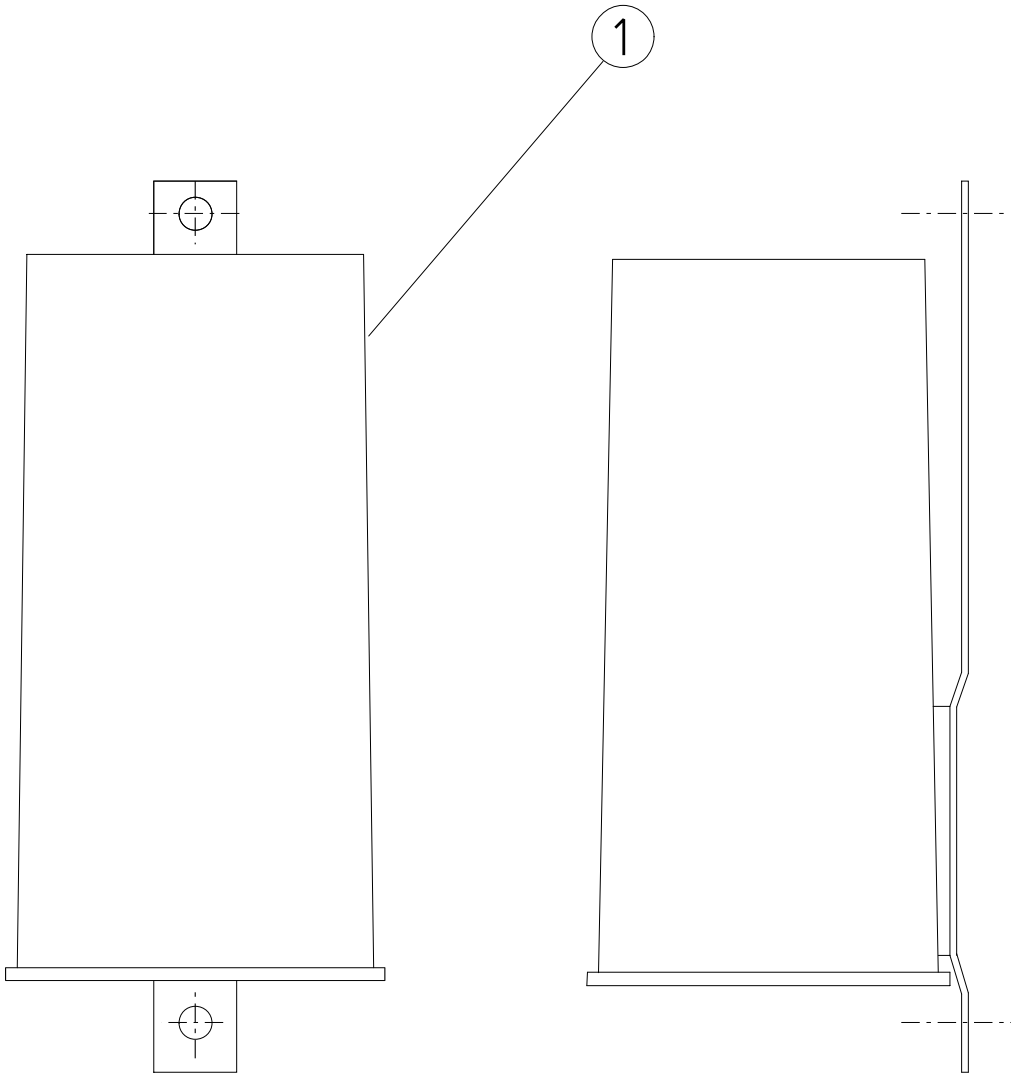
AB6_150AL		Tee off-LV bare_aluminium to ABC 150			
ITEM NUMBER	STOCK CODE	DESCRIPTION	QTY RQD	UNIT OF MEASURE	REMARKS
1	AB6025	Eyebolt-16dia x 400mm lg with nut and washers	1	ea	
2	CC0100	strain clamp	1	ea	
3	CC0138	PG clamp	4	ea	
4	CJ0496	stalk lug	4	ea	



				COMPATIBLE UNIT		DISTRIBUTION DESIGN CATALOGUE			
				TITLE		DRAWN: JRR DATE: 31-03-2014		DRG. No.	
				CIRCUIT BREAKER MOUNTING BRACKET		ORIGINATED: SCALE: NTS		AB11	
						CHECKED: REE		REV. A	
						APPROVED: GRANT STACY		SHT.	
A	21.01.99	ORIGINAL ISSUE		ORGD.	CHKD.	APRD.			
REV	DATE	DESCRIPTION							

CU	CU Description
----	----------------

AB11 Circuit breaker mounting bracket					
ITEM NUMBER	STOCK CODE	DESCRIPTION	QTY RQD	UNIT OF MEASURE	REMARKS
1	CR1026	circuit breaker mounting bracket with nuts and bolts	1	ea	

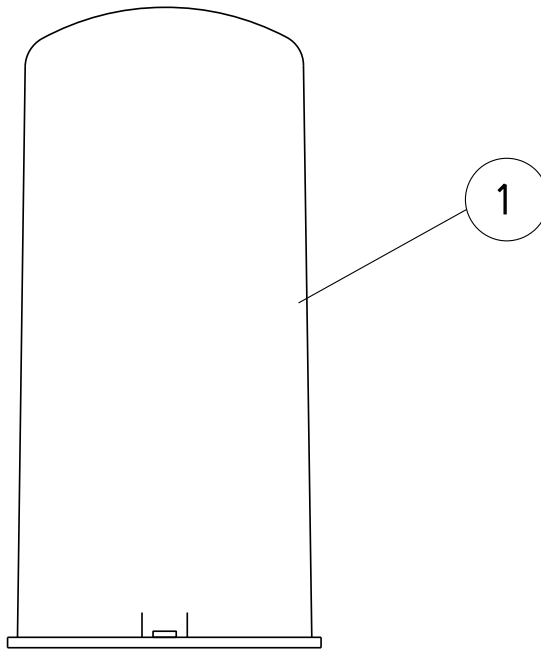


				COMPATIBLE UNIT		DISTRIBUTION DESIGN CATALOGUE			
				TITLE		DRAWN: JRR		DATE: 13-03-2014	
				CIRCUIT BREAKER BOX		ORIGINATED		SCALE: NTS	
						CHECKED: REE		DRG. No. AB12	
						APPROVED: GRANT STACY		REV. A	
A	21.01.99	ORIGINAL ISSUE							
REV	DATE	DESCRIPTION		ORGD.	CHKD.	APRD.			SHT.

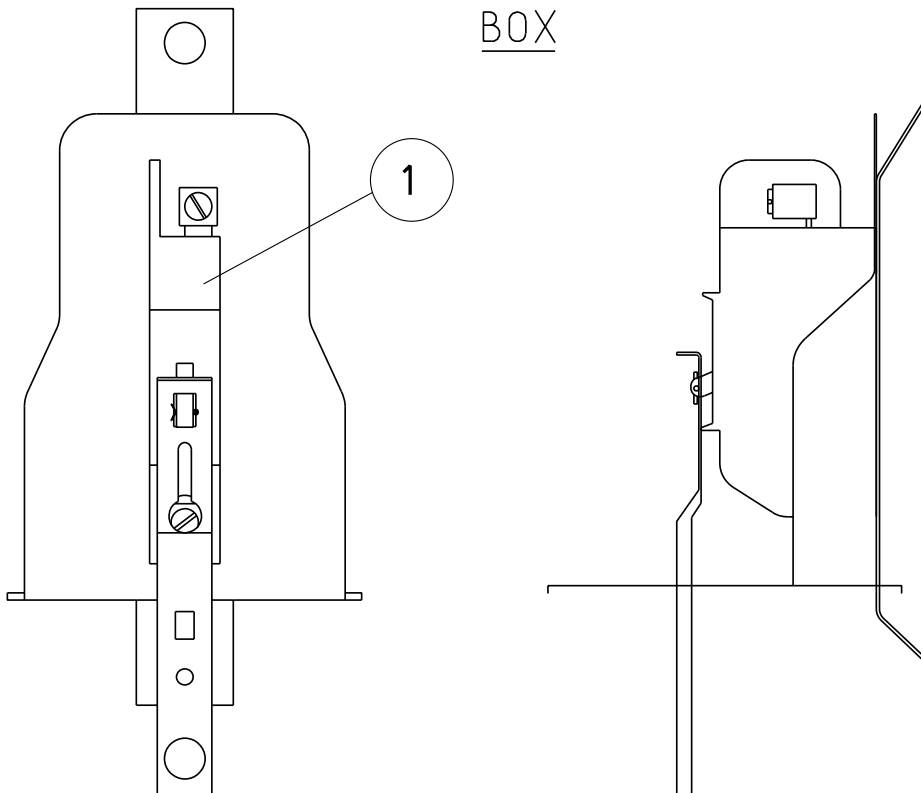


CU	CU Description
----	----------------

AB12		Circuit breaker box			
ITEM NUMBER	STOCK CODE	DESCRIPTION	QTY RQD	UNIT OF MEASURE	REMARKS
1	FB0602	Circuit breaker box	1	ea	



BOX

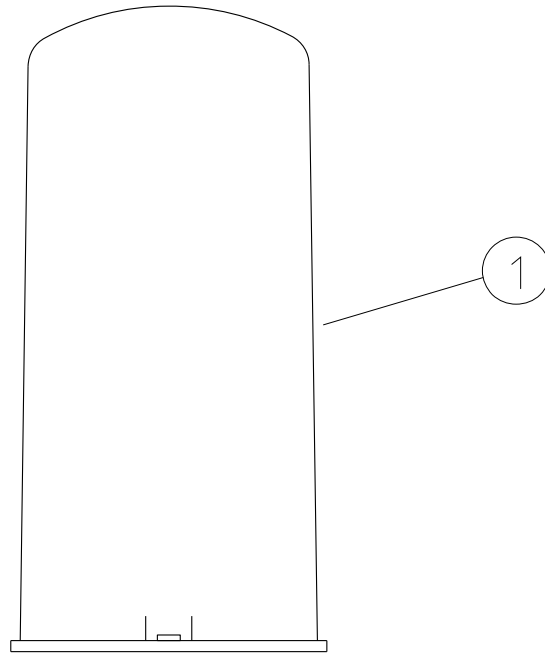


MECHANISM

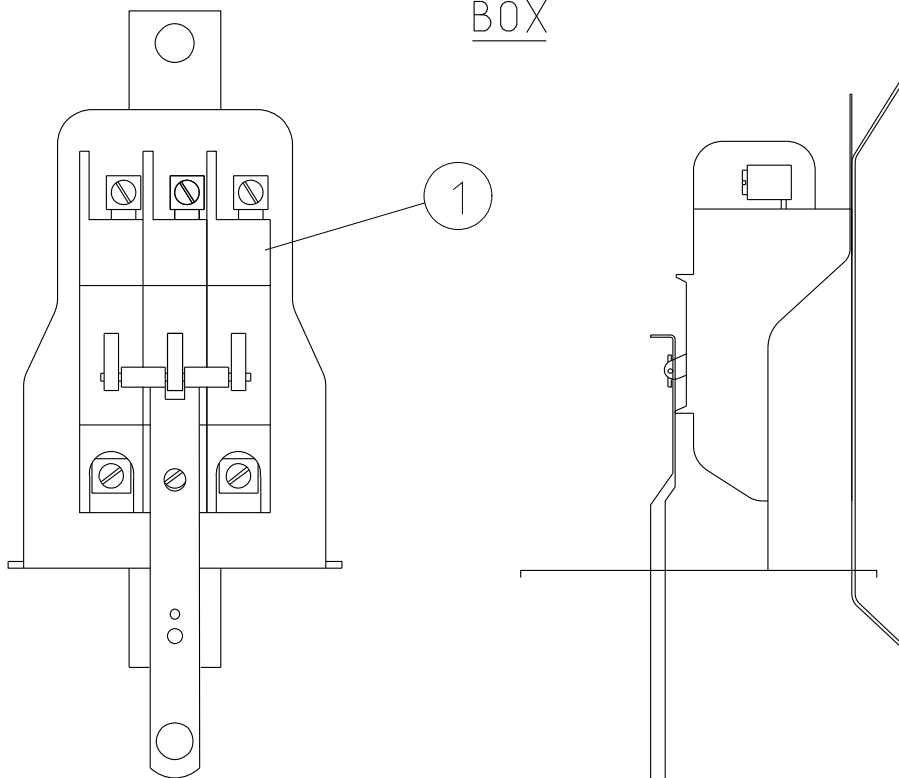
				COMPATIBLE UNIT			DISTRIBUTION DESIGN CATALOGUE		westernpower			
				TITLE			DRAWN: JRR		DATE: 31-03-2014		DRG. No.	
				1 PHASE CIRCUIT BREAKER WITH BOX			ORIGINATED:		SCALE: NTS		AB13	
							CHECKED: REE		APPROVED:			
							GRANT STACY					
REV	DATE	DESCRIPTION	ORGD.	CHKD.	APRD.							
B	01.03.18	BOX ADDED		CO	NMc	GS						
A	21.01.99	ORIGINAL ISSUE										

CU	CU Description
----	----------------

AB13		Circuit breaker 1 phase			
ITEM NUMBER	STOCK CODE	DESCRIPTION	QTY RQD	UNIT OF MEASURE	REMARKS
1	GZ0016	Circuit breaker 1 phase with box	1	ea	



BOX

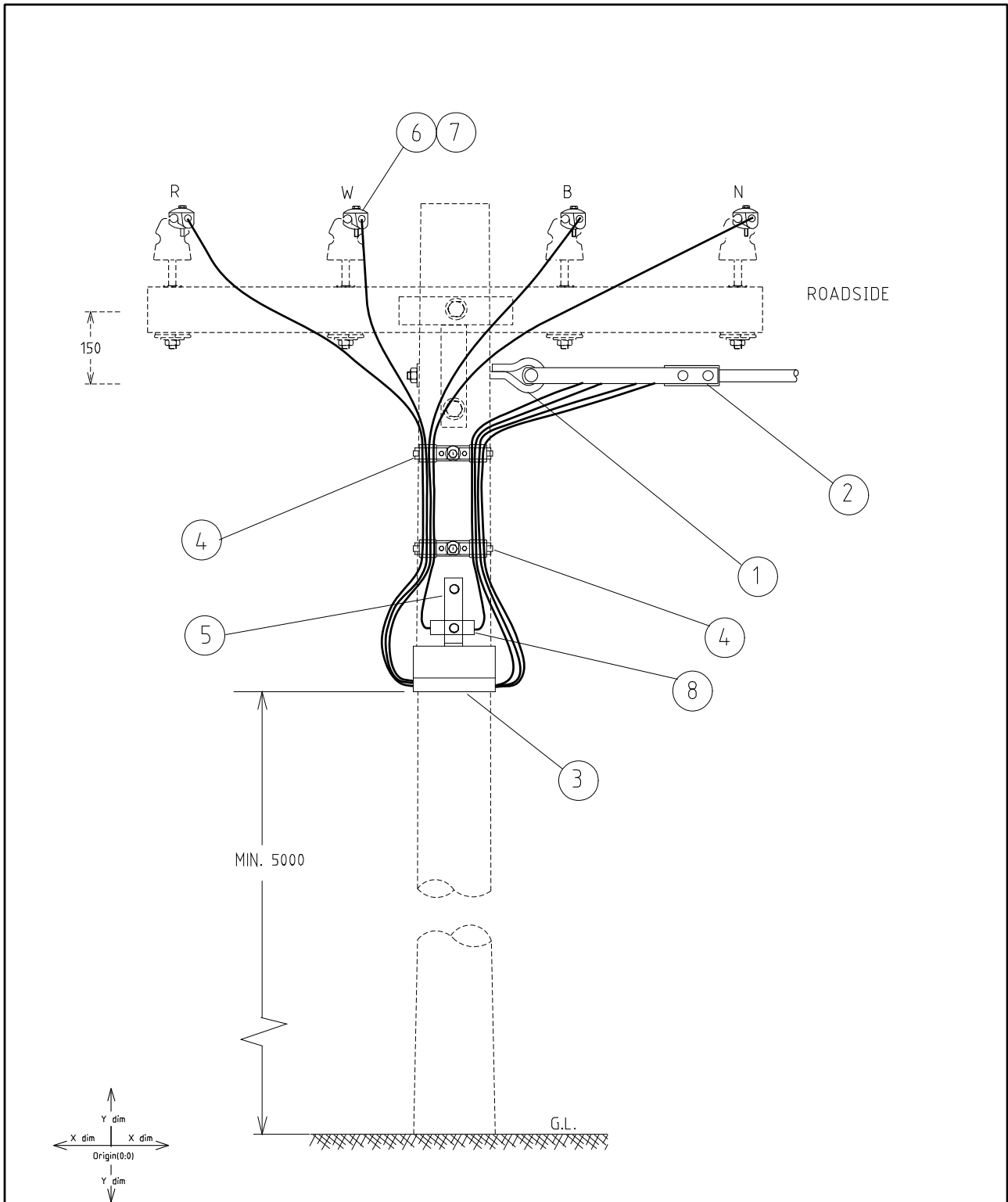


MECHANISM

				COMPATIBLE UNIT			DISTRIBUTION DESIGN CATALOGUE					
				TITLE			DRAWN: JRR		DATE: 31-03-2014		DRG. No.	
				3 PHASE CIRCUIT BREAKER WITH BOX			ORIGINATED:		SCALE: NTS		AB14	
							CHECKED: REE		APPROVED: GRANT STACY		REV. B	
											SHT.	
REV	DATE	DESCRIPTION	ORGD.	CHKD.	APRD.							
B	01.03.18	BOX ADDED		CO	NMc	GS						
A	21.01.99	ORIGINAL ISSUE										

CU	CU Description
----	----------------

AB14		Circuit breaker 3 phase with box			
ITEM NUMBER	STOCK CODE	DESCRIPTION	QTY RQD	UNIT OF MEASURE	REMARKS
1	GZ0017	Circuit breaker 3 phase with box	1	ea	



NOTES:-
 1. ALL DIMENSIONS ARE IN MILLIMETRES.
 2. SEE CN9 FOR ALTERNATIVE PG CLAMP IF CONNECTING TO BARE COPPER MAINS

Cable Design Dimensions

	X dim	Y dim
Bundle	0	150

Origin - LV King bolt (0:0)

				COMPATIBLE UNIT			DISTRIBUTION DESIGN CATALOGUE		westernpower	
				TITLE			DRAWN: JRR		DATE: 31-03-2014	
				TEE OFF LV BARE TO FUSED ABC			ORIGINATED:		SCALE: NTS	
							CHECKED: REE		ORG. No. AB18	
							APPROVED:		REV. H	
							GRANT STACY		SHT.	
REV	DATE	DESCRIPTION	ORGD.	CHKD.	APRD.					
H	17.03.17	ITEM 8 ADDED AND EXTRA ITEM 4 ADDED	JC	REE	GS					
G	21.06.61	CABLING SYSTEM MODIFIED	REE	JC	GS					
F	03.04.13	ORIGINAL ISSUE								



CU	CU Description
-----------	-----------------------

AB18_95AL		Tee off-LV bare_alumin to fused ABC 95			
ITEM NUMBER	STOCK CODE	DESCRIPTION	QTY RQD	UNIT OF MEASURE	REMARKS
1	AB6025	Eyebolt-16dia x 400mm lg with nut and washer	1	ea	
2	CC0100	strain clamp	1	ea	
3	GS0111	Fuse disconnecter (Rated 400A)	1	ea	
4	CC0101	suspension clamp - 95	4	ea	
4	AB6733	Pole bolt 16 dia x 400mm lg with nut and washers	2	ea	
5	AB6741	Pole bolt 12 dia x 550mm lg with nut and washers	2	ea	
6	CJ0494	stalk lug	4	ea	
7	CC0138	PG clamp	4	ea	
8	GS0109	Neutral Block	1	ea	

AB18_150AL		Tee off-LV bare_alumin to fused ABC 150			
ITEM NUMBER	STOCK CODE	DESCRIPTION	QTY RQD	UNIT OF MEASURE	REMARKS
1	AB6025	Eyebolt-16dia x 400mm lg with nut and washer	1	ea	
2	CC0100	strain clamp	1	ea	
3	GS0111	Fuse disconnecter (Rated 400A)	1	ea	
4	CC0110	suspension clamp - 150	4	ea	
4	AB6733	Pole bolt 16 dia x 400mm lg with nut and washers	2	ea	
5	AB6741	Pole bolt - 12 dia x 550mm lg with nut and washers	2	ea	
6	CJ0496	stalk lug	4	ea	
7	CC0138	PG clamp	4	ea	
8	GS0109	Neutral Block	1	ea	

AB18_95AL_H		Tee off-LV bare_alumin to fused ABC 95 High Pollution			
ITEM NUMBER	STOCK CODE	DESCRIPTION	QTY RQD	UNIT OF MEASURE	REMARKS
1	AB6025	Eyebolt-16dia x 400mm lg with nut and washer	1	ea	
2	CC0100	strain clamp	1	ea	
3	GS0111	Fuse disconnecter	1	ea	
4	CC0101	suspension clamp - 95	4	ea	
4	AB6733	Pole bolt 16 dia x 400mm lg with nut and washers	2	ea	
5	AB6741	Pole bolt 12 dia x 550mm lg with nut and washers	2	ea	
6	CJ0494	stalk lug	4	ea	
7	CC0138	PG clamp	4	ea	
8	GS0109	Neutral Block	1	ea	

CU	CU Description
----	----------------

AB18_150AL_H		Tee off-LV bare_alumin to fused ABC 150 High Pollution			
ITEM NUMBER	STOCK CODE	DESCRIPTION	QTY RQD	UNIT OF MEASURE	REMARKS
1	AB6025	Eyebolt-16dia x 400mm lg with nut and washer	1	ea	
2	CC0100	strain clamp	1	ea	
3	GS0111	Fuse disconnecter	1	ea	
4	CC0110	suspension clamp - 150	4	ea	
4	AB6733	Pole bolt 16 dia x 400mm lg with nut and washers	2	ea	
5	AB6741	Pole bolt - 12 dia x 550mm lg with nut and washers	2	ea	
6	CJ0496	stalk lug	4	ea	
7	CC0138	PG clamp	4	ea	
8	GS0109	Neutral Block	1	ea	