



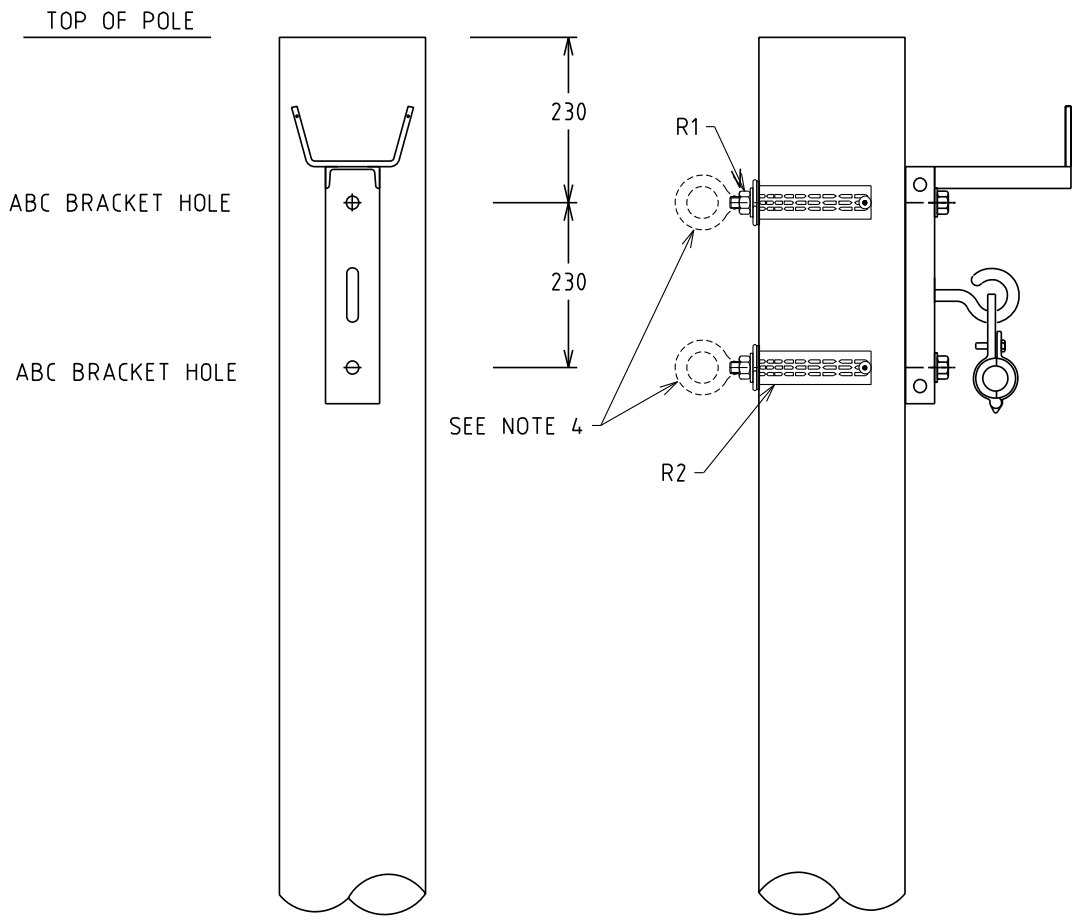
7

Part 7 – Low Voltage Aerial Bundled
Cable

DISTRIBUTION CONSTRUCTION
STANDARDS HANDBOOK

Drawing Register

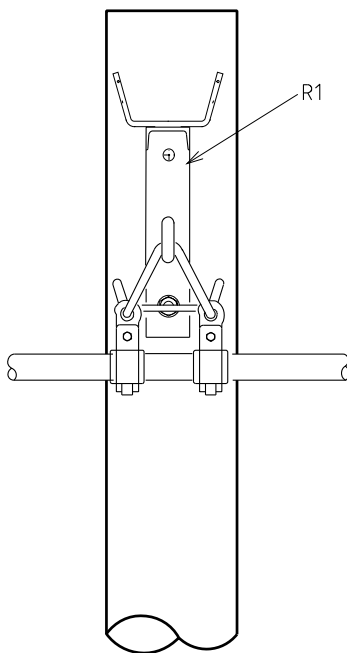
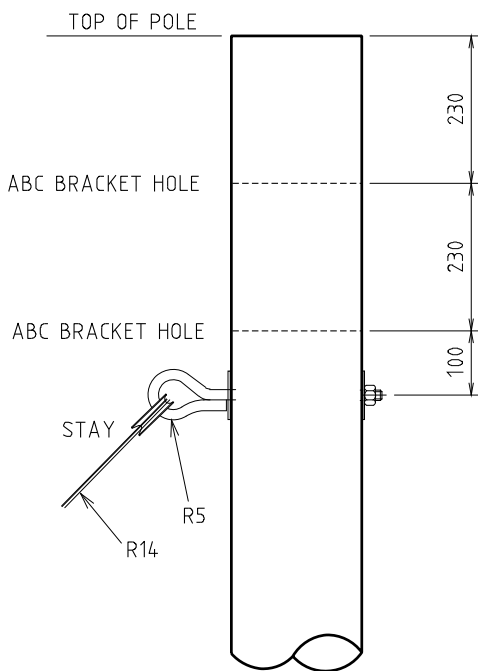
Number	Revision	Description
A01	C	Intermediate Angle, 0 - 25 degrees, Drilling detail
A02	C	Angle 26 - 50 degrees, Pole Details
A03	D	Termination Pole, ABC Details
A04-1	E	Strain - With or Without Fusing / Isolation
A04-2	A	Strain - LV ABC to Bare With Fuse
A05	C	Tee Off, Drilling Details
A06	C	Tee Off, LV Bare to Fused ABC
A07	B	Tee Off, Bare to ABC
A08	A	Circuit Breaker and Mounting Bracket
A09	A	Standard Fuse and Mounting Bracket
A10	A	In Span - Full Tension Joint



NOTES:-

1. ALL DIMENSIONS ARE IN MILLIMETRES.
2. ALL HOLES 18φ U.O.N.
3. DISPERSION PLATES ONLY REQUIRED IF HV IS PRESENT ON POLE.
4. EYEBOLTS MAY BE SUBSTITUTED FOR POLEBOLTS WHERE SERVICE WIRES ARE TO BE SUPPORTED ON THE OPPOSITE SIDE OF THE POLE.

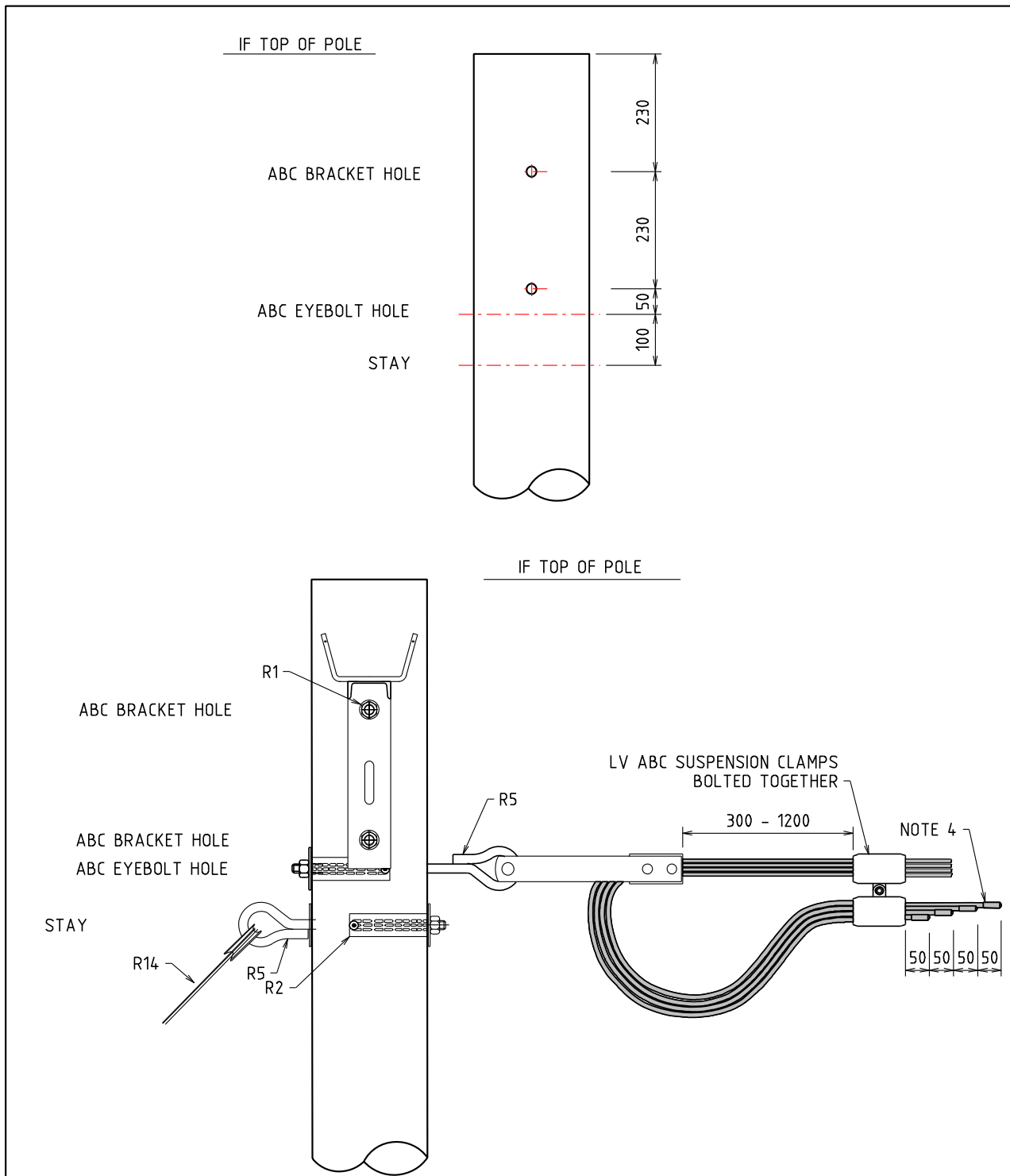
				STRUCTURE			DISTRIBUTION CONSTR. STANDARD				
				TITLE			DRAWN: JRR		DATE: 24-03-2014		DRG. No.
				INTERMEDIATE ANGLE 0° - 25°			ORIGINATED:		SCALE: NTS		A01
				DRILLING DETAILS			CHECKED: REE		APPROVED:		
							APPROVED: GRANT STACY		REV. C		SHT.
REV	DATE	DESCRIPTION	DRGO	CHKD	APRD						
C	11.01.19	NOTES REVISED	MS	REE	GS						
B	23.11.18	NOTES REVISED	JN	REE	GS						
A	13.07.00	ORIGINAL ISSUE									



NOTES:-

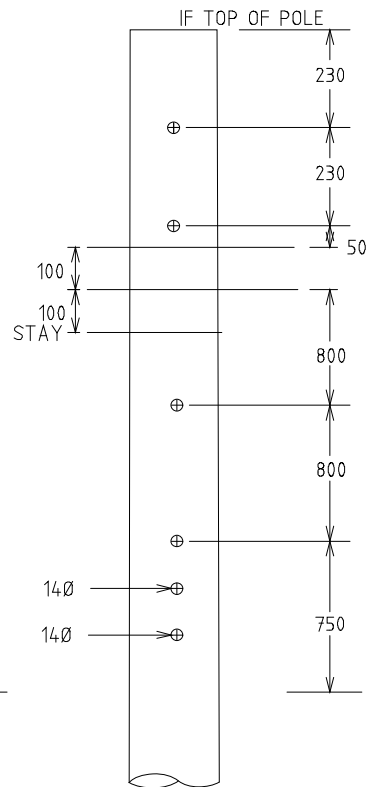
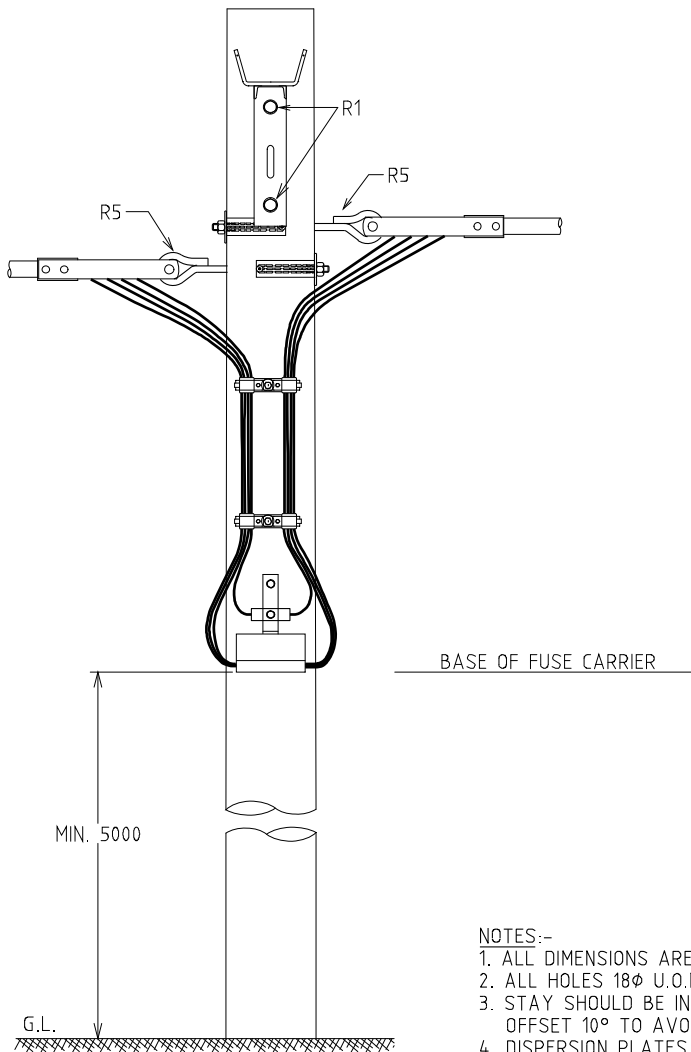
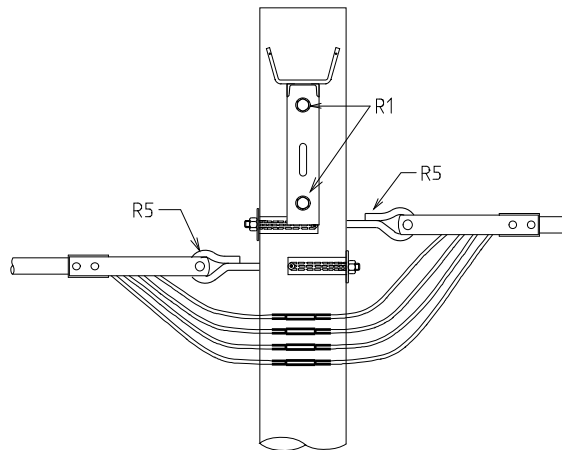
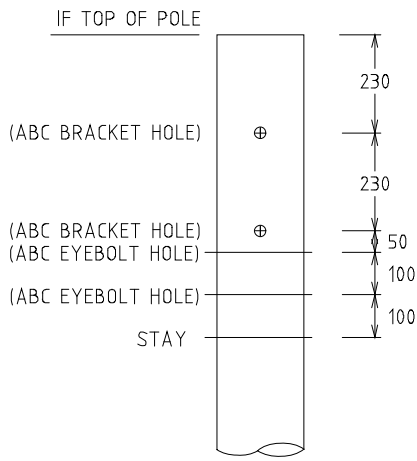
1. ALL DIMENSIONS ARE IN MILLIMETRES.
2. ALL HOLES 18φ U.O.N.
3. REFER TO Dwg. R15 FOR FURTHER DETAILS OF POLE.
4. DISPERSION PLATES ONLY REQUIRED IF HV IS PRESENT ON POLE.

				STRUCTURE		DISTRIBUTION CONSTR. STANDARD				
				TITLE		DRAWN: JRR DATE: 24-03-2014		DRG. No.		
				ANGLE 26° - 50°		ORIGINATED: ME SCALE: NTS		A02		
				POLE DETAILS		CHECKED: FK		APPROVED: GRANT STACY		
						APPROVED: GRANT STACY		REV. C		
REV	DATE	DESCRIPTION	DRG.	CHKD.	APRD.					
C	23.11.18	NOTES REVISED		JN	REE	GS				
B	04.02.16	DWG. FORMAT & TITLE CHANGED AND NOTES REVISED		ME	FK	GS				
A	12.12.11	ORIGINAL ISSUE								



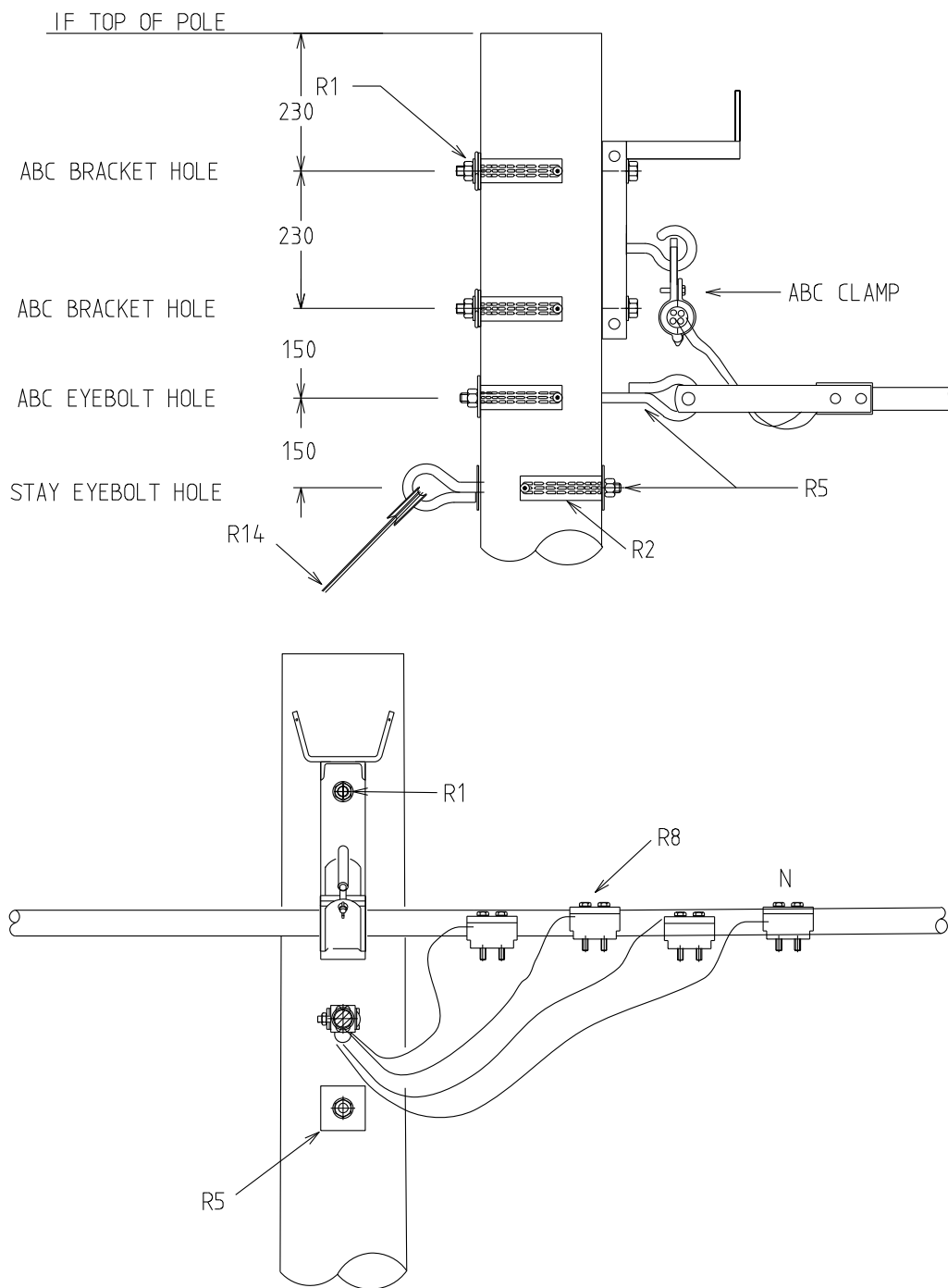
- NOTES:-
1. ALL DIMENSIONS ARE IN MILLIMETRES.
 2. ALL HOLES 18 ϕ U.O.N.
 3. DISPERSION PLATES ONLY REQUIRED IF HV IS PRESENT ON POLE.
 4. LV ABC TAILS TO BE CAPPED/SEALED.
 5. SERVICE IPCs CAN BE INSTALLED ON MAINS OR TAIL.

				STRUCTURE			DISTRIBUTION CONSTR. STANDARD		westernpower	
				TITLE			DRAWN: JRR		DATE: 24-03-2014	
				TERMINATION POLE ABC DETAILS			ORIGINATED:		SCALE: NTS	
							CHECKED: REE		REV. D	
							APPROVED: GRANT STACY		SHT.	
									A03	
REV	DATE	DESCRIPTION	DRG.	CHKD.	APRO					
D	29.03.19	SUSPENSION CLAMPS & NOTES REVISED	CO	NMc	GS					
C	23.11.18	NOTES REVISED	JN	REE	GS					
B	15.11.04	ORIGINAL ISSUE								



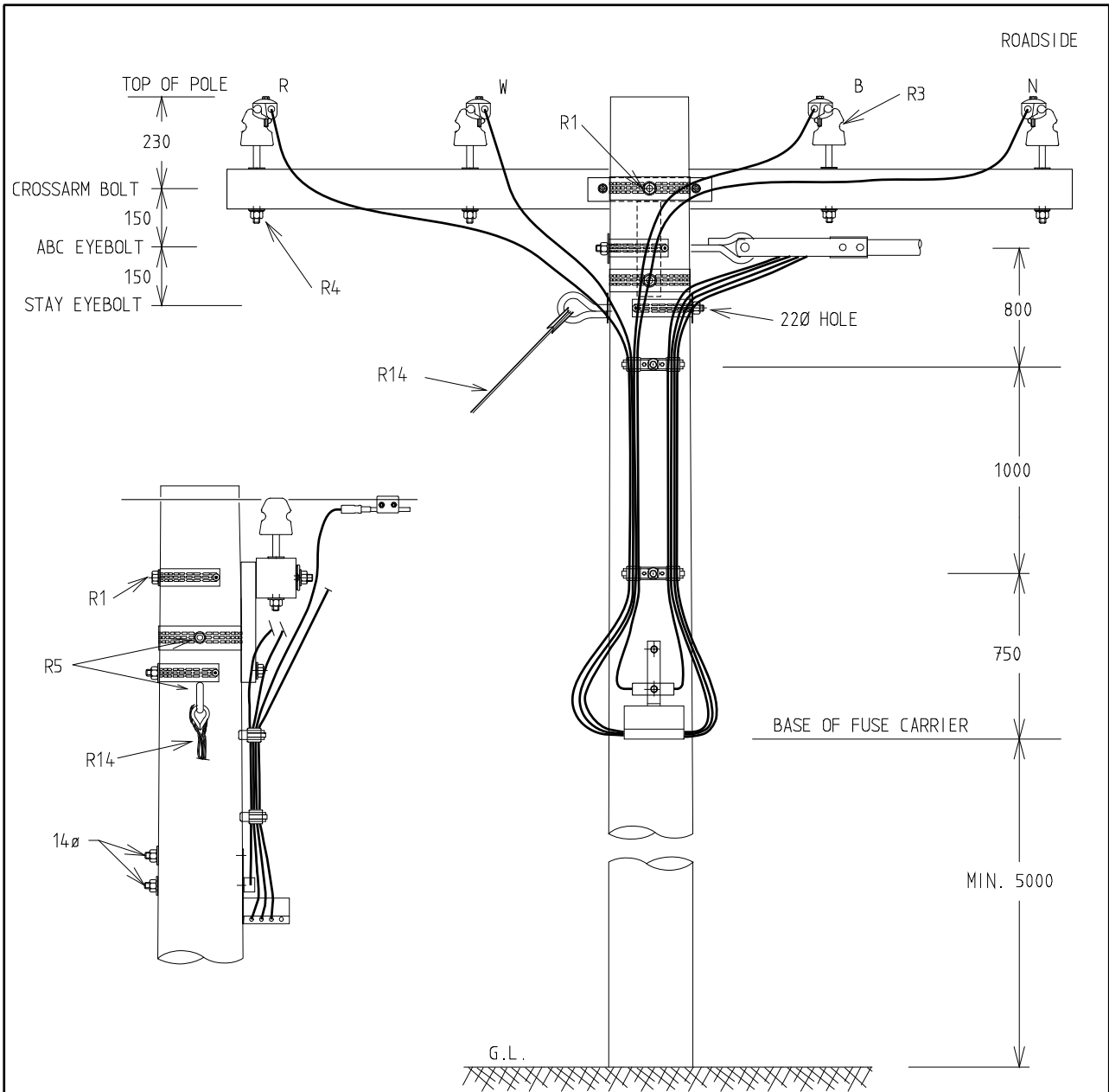
- NOTES:-
1. ALL DIMENSIONS ARE IN MILLIMETRES.
 2. ALL HOLES 18∅ U.O.N.
 3. STAY SHOULD BE INSTALLED BELOW LV ABC BRACKET OR OFFSET 10° TO AVOID FOULING THE LV ABC CONDUCTOR.
 4. DISPERSION PLATES ONLY REQUIRED IF HV IS PRESENT ON POLE.

				STRUCTURE			DISTRIBUTION CONSTR. STANDARD		westernpower	
REV	DATE	DESCRIPTION	DRG.	CHKD.	APPR.	TITLE		DRAWN: JRR ORIGINATED: ME CHECKED: FK APPROVED: GRANT STACY	DATE: 10-03-2014 SCALE: NTS REV. E	DRG. No. A04-1 TSHT.
E	21.06.19	DRAWING NUMBER CHANGED TO A04-1	CO	NMc	GS	STRAIN - WITH OR WITHOUT FUSING / ISOLATION				
D	23.11.18	NOTE 4 ADDED	JN	REE	GS					
C	17.03.17	NEUTRAL LINK AND EXTRA SUSPENSION CLAMP ADDED	JC	REE	GS					
B	08.02.16	DWG. FORMAT CHANGED AND STAY ADDED	ME	FK	GS					



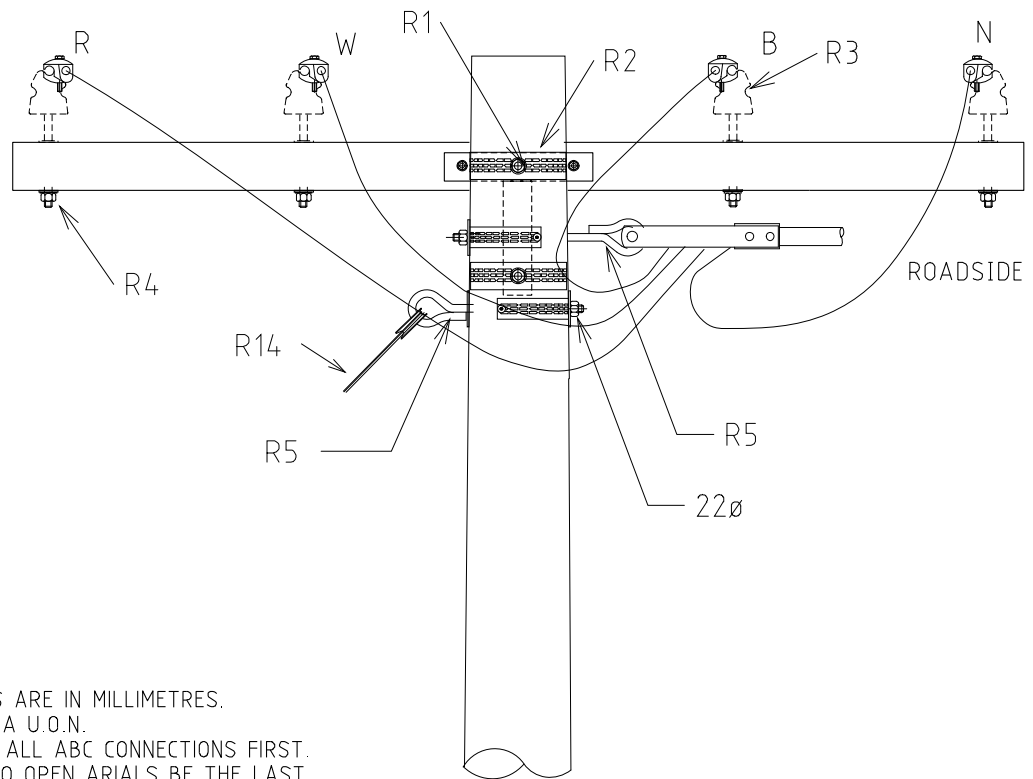
- NOTES:-
1. ALL DIMENSIONS ARE IN MILLIMETRES.
 2. ALL HOLES 18Ø U.O.N.
 3. IPC ARE SINGLE USE ONLY (NOT TO BE RE-USED)
 4. DISPERSION PLATES ONLY REQUIRED IF HV IS PRESENT ON POLE.

				STRUCTURE			DISTRIBUTION CONSTR. STANDARD		westernpower	
				TITLE			DRAWN: JRR		DATE: 24-03-2014	
				TEE OFF - DRILLING DETAILS			ORIGINATED:		SCALE: NTS	
							CHECKED: REE		APPROVED: GRANT STACY	
							REV. C		DRG. No. A05	
REV	DATE	DESCRIPTION	DRG.	CHKD.	APRD.					
C	23.11.18	NOTE 4 ADDED	JN	REE	GS					
B	19.06.18	NOTES REVISED	JC	NMc	GS					
A	25.03.04	ORIGINAL ISSUE								



- NOTES:-
1. ALL DIMENSIONS ARE IN MILLIMETRES.
 2. ALL HOLES 18DIA U.O.N.
 3. ALWAYS MAKE ALL ABC CONNECTIONS FIRST.
 4. CONNECTIONS TO OPEN ARIALS BE THE LAST PROCEDURE CARRIED OUT.
 5. PHASING OUT BETWEEN THE ABC CONDUCTORS AND THE OPEN ARIALS MUST BE CARRIED OUT BEFORE CONNECTION IS MADE.
 6. SPLICE AND PG CLAMP TO BE USED FOR THIS ABC TO BARE AERIAL CONNECTION AS ABC IS CONTINUOUS.
 7. DISPERSION PLATES ONLY REQUIRED IF HV IS PRESENT ON POLE.

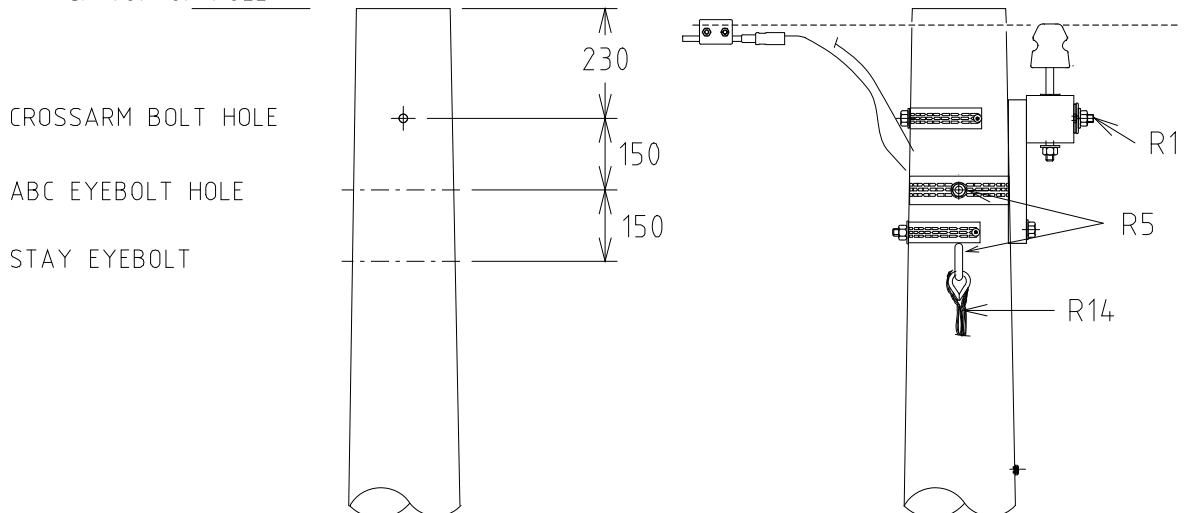
				STRUCTURE		DISTRIBUTION CONSTR. STANDARD			
				TITLE		DRAWN: JRR		DATE: 24-03-2014	
				TEE OFF LV BARE TO FUSED ABC		ORIGINATED:		SCALE: NTS	
						CHECKED: REE		DRG. No. A06	
						APPROVED: GRANT STACY		REV. C	
REV	DATE	DESCRIPTION	DRG.	CHKD.	APRD.				
C	23.11.18	NOTE 7 ADDED	JN	REE	GS				
B	17.03.17	NEUTRAL LINK AND EXTRA CLAMP ADDED	JC	REE	GS				
A	21.11.02	ORIGINAL ISSUE							



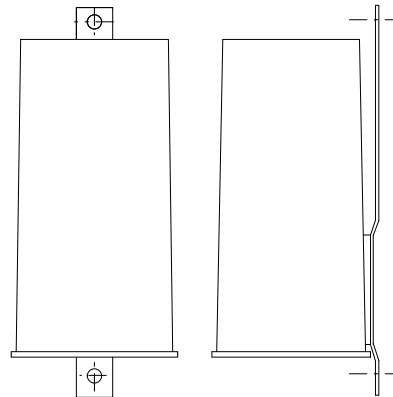
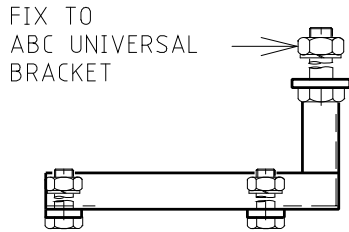
NOTES:-

1. ALL DIMENSIONS ARE IN MILLIMETRES.
2. ALL HOLES 18DIA U.O.N.
3. ALWAYS MAKE ALL ABC CONNECTIONS FIRST.
4. CONNECTIONS TO OPEN ARIALS BE THE LAST PROCEDURE CARRIED OUT.
5. PHASING OUT BETWEEN THE ABC CONDUCTORS AND THE OPEN ARIALS MUST BE CARRIED OUT BEFORE CONNECTION IS MADE.
6. SPLICE AND PG CLAMP TO BE USED FOR THIS ABC TO BARE AERIAL CONNECTION AS ABC IS CONTINUOUS.
7. DISPERSION PLATES ONLY REQUIRED IF HV IS PRESENT ON POLE.

IF TOP OF POLE

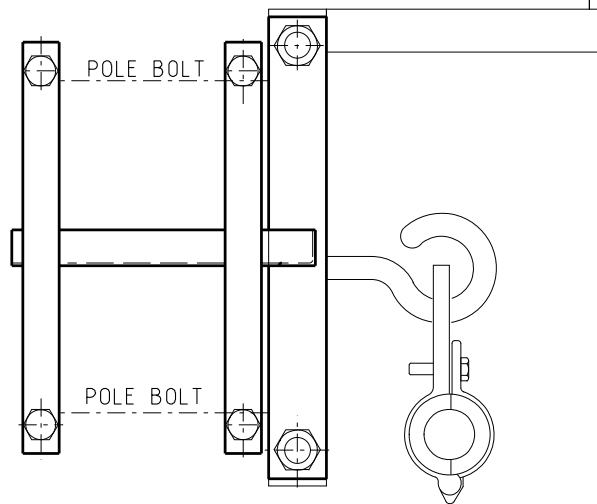
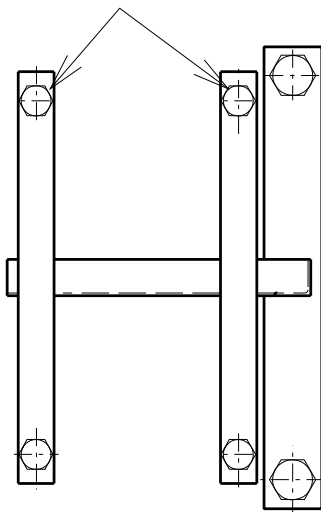


				STRUCTURE		DISTRIBUTION CONSTR. STANDARD				
				TITLE		DRAWN: JRR		DATE: 24-03-2014		
				TEE OFF BARE TO ABC		ORIGINATED:		SCALE: NTS		
						CHECKED: REE		APPROVED: REE		
						APPROVED: GRANT STACY		REV. B		
								DRG. No. A07		
								SHT.		
REV	DATE	DESCRIPTION	DRG.	CHKD.	APRD.					
B	23.11.18	NOTE 7 ADDED		JN	REE	GS				
A	21.11.02	ORIGINAL ISSUE								

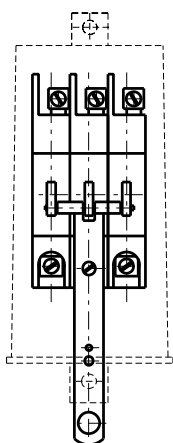


CIRCUIT BREAKER COVER

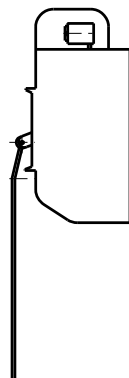
CIRCUIT BREAKER FIXING HOLES



CIRCUIT BREAKER MOUNTING BRACKET

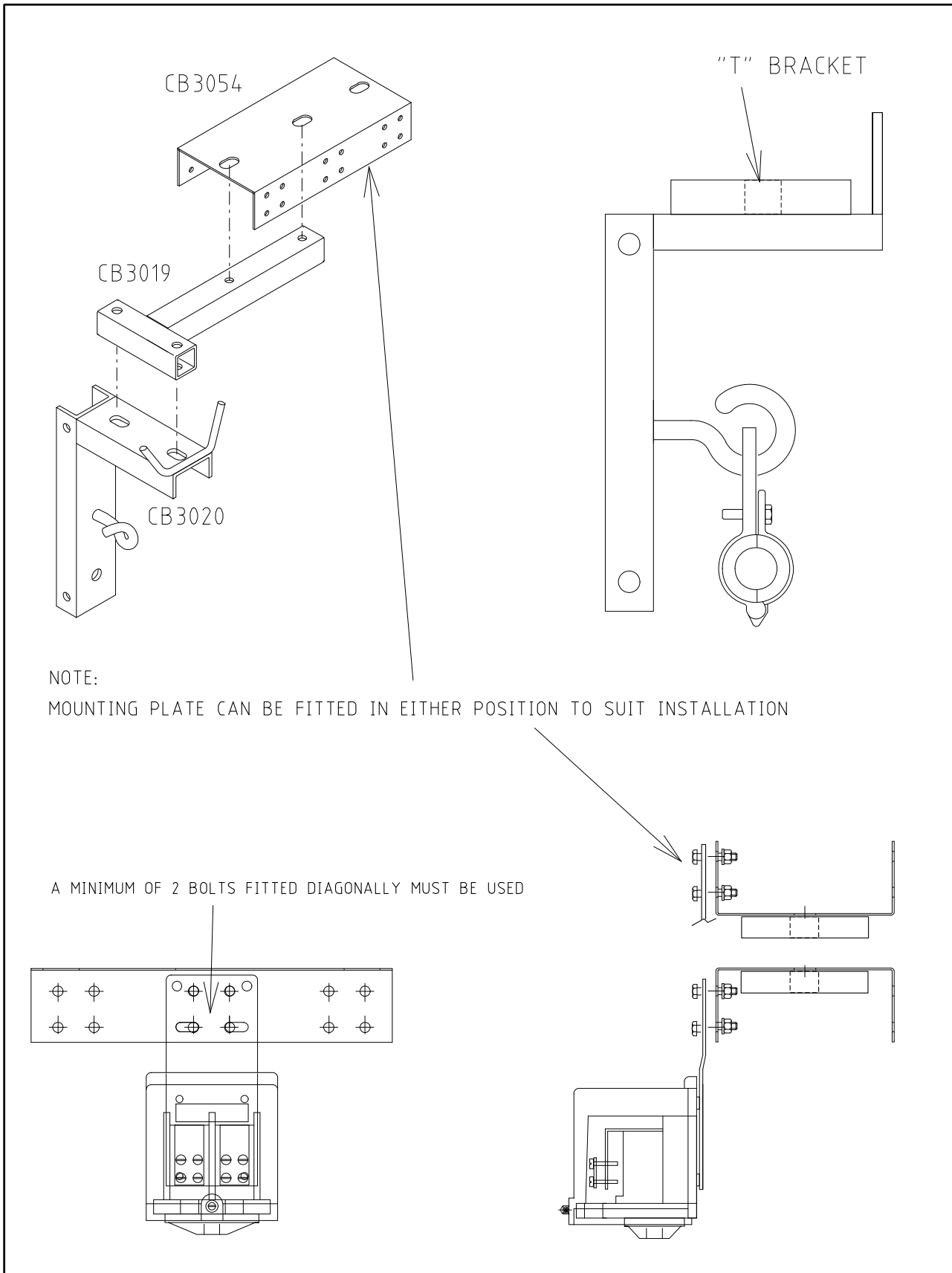


THREE PHASE CIRCUIT BREAKER



SINGLE PHASE CIRCUIT BREAKER

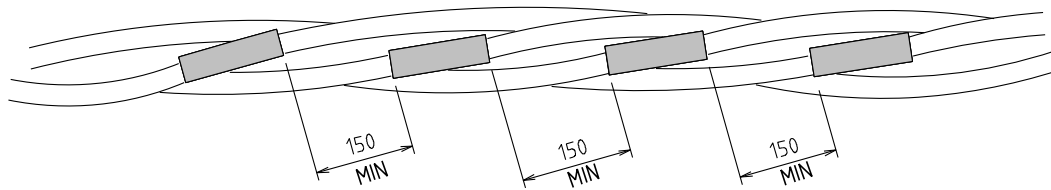
				STRUCTURE		DISTRIBUTION CONSTR. STANDARD			
				TITLE		DRAWN: JRR		DATE: 25-03-2014	
				CIRCUIT BREAKER AND MOUNTING BRACKET		ORIGINATED:		SCALE: NTS	
						CHECKED: REE		APPROVED: GRANT STACY	
								ORG. No. A08	
								REV. A	
								SHT.	
REV	DATE	DESCRIPTION	ORGD.	CHKD.	APRD.				
A	13.07.00	ORIGINAL ISSUE							



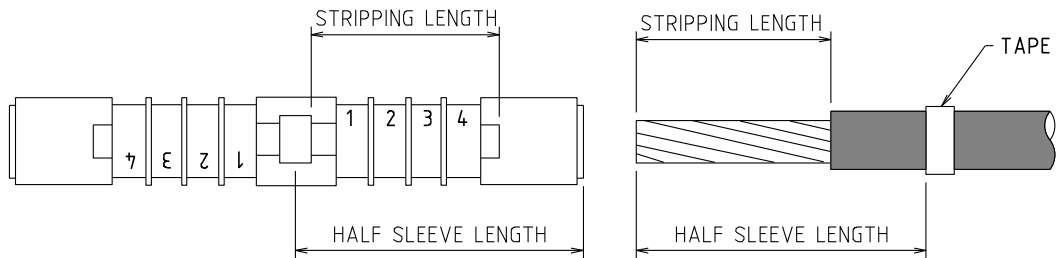
NOTE:
MOUNTING PLATE CAN BE FITTED IN EITHER POSITION TO SUIT INSTALLATION

A MINIMUM OF 2 BOLTS FITTED DIAGONALLY MUST BE USED

				STRUCTURE		DISTRIBUTION CONSTR. STANDARD		westernpower	
				TITLE		DRAWN: JRR		DATE: 25-03-2014	
				STANDARD FUSE AND MOUNTING BRACKET		ORIGINATED:		SCALE: NTS	
						CHECKED: REE		APPROVED: GRANT STACY	
						REV. A		SHT. A09	
REV	DATE	DESCRIPTION	DRG.	CHKD.	APRD.				
A	30.10.06	ORIGINAL ISSUE							



JOINT LAYOUT



JOINT PREPARATION

NOTES:-

1. ALL DIMENSIONS ARE IN MILLIMETRES.
2. ENSURE PHASES AND NEUTRAL ARE CORRECTLY MATCHED AND ORIENTED.
3. EACH CORE MUST BE CUT ACCURATELY TO ENSURE CORRECT BALANCE OF TENSIONS.
3. MARK CABLE END WITH TAPE AT HALF SLEEVE LENGTH.
4. STRIP INSULATION AS SHOWN ON DRAWING.
5. INSERT CABLE INTO SLEEVE INSURING TAPE MARK IS WITHIN 1-2mm OF FULL PENETRATION.
6. CRIMP WITH APPROPRIATE DIE, IN SEQUENCE STARTING AT NUMBER 1.
7. DO NOT OVERLAP THE CRIMPS.

				STRUCTURE		DISTRIBUTION CONSTR. STANDARD			
				IN SPAN - FULL TENSION JOINT		DRAWN: JRR DATE: 02-06-2017		DRG. No.	
						ORIGINATED: REE SCALE: NTS		A10	
						CHECKED: NMt		REV. A	
						APPROVED: GRANT STACY		SHT.	
A	02.06.17	ORIGINAL ISSUE		REE	NMt	GS			
REV	DATE	DESCRIPTION		DRG	CHKD	APRD			