



Distribution Design Catalogue

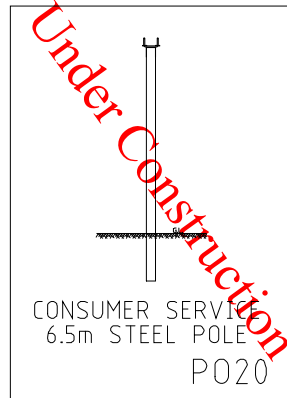
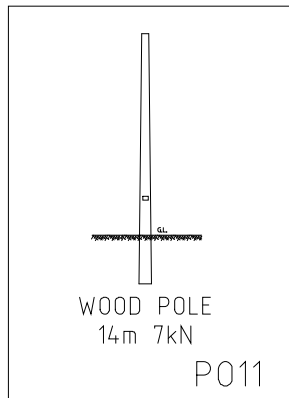
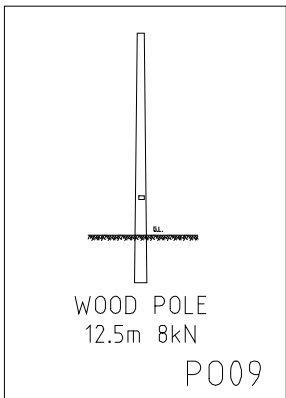
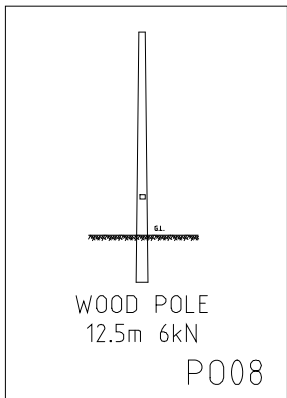
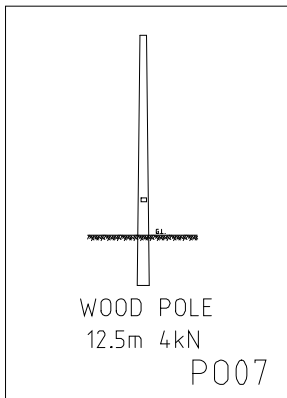
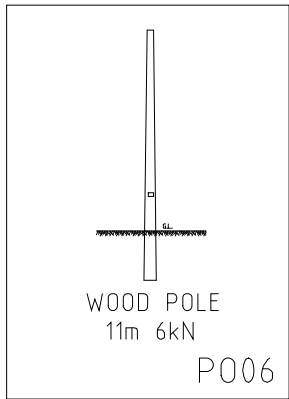
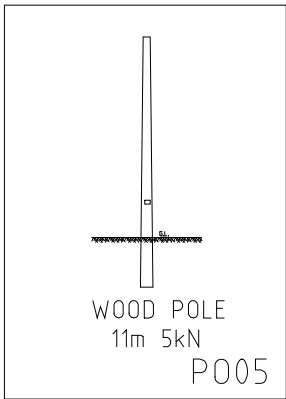
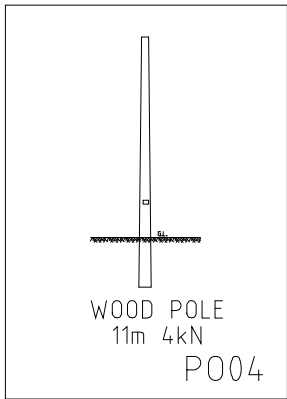
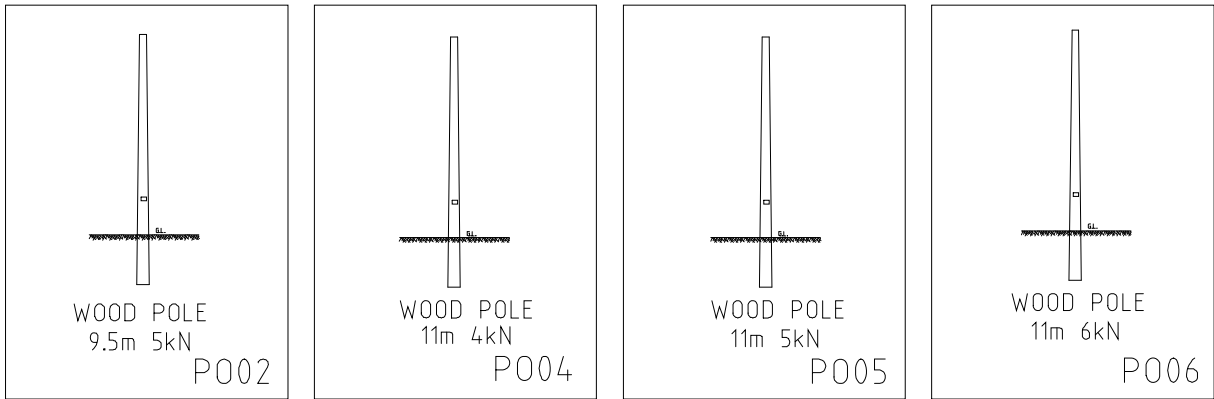
POLES

Section 02 (PO)

© Copyright of Western Power
ABN 18540492861

PO Drawings Revision List

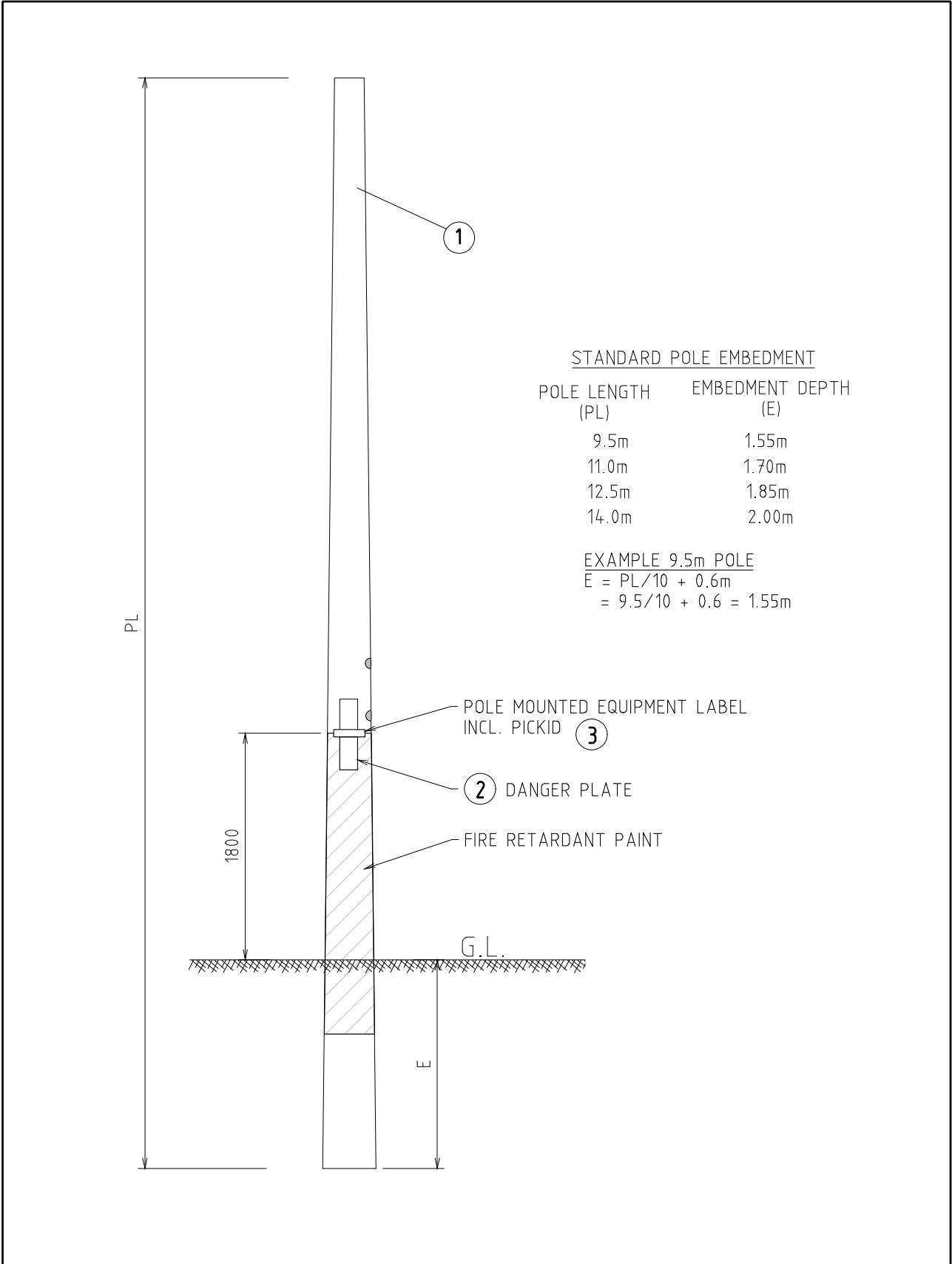
CU	DATE	REVISION	DESCRIPTION OF REVISION
	Sept 2002		Original Issue
	Sept 2007		See Amendment List
	Jan 2008		See Amendment List
	Dec 2009		See Amendment List and Revised Format
	Feb 2010		See Amendment List
	Sept 2014		See Amendment List
	Jan 2015		See Amendment List
	July 2015		See Amendment List
	Aug 2015		See Amendment List
	Sept 2015		See Amendment List
	Nov 2015		See Amendment List
	Feb 2016		See Amendment List
	Mar 2016		See Amendment List
	Oct 2016		See Amendment List
	Jan 2018		See Amendment List
	Apr 2018		See Amendment List



				COMPATIBLE UNIT		DISTRIBUTION DESIGN CATALOGUE			
				TITLE		DRAWN: JRR DATE: 17-04-2014		DRG. No.	
				PO COMPATIBLE UNITS		ORIGINATED: AK SCALE: NTS		PO INDEX	
						CHECKED: DVT		REV. D	
						APPROVED: GRANT STACY		SHT.	
REV	DATE	DESCRIPTION	DRGD	CHKD	APRD				

Poles List

CU	CU DESCRIPTION
PO02	Wood pole 9.5m 5kN
PO02_R	Wood pole 9.5m 5kN rural painted
PO04_M	Wood pole 11m 4kN metro
PO04_R	Wood pole 11m 4kN rural painted
PO05_M	Wood pole 11m 5kN metro
PO05_R	Wood pole 11m 5kN rural painted
PO06_M	Wood pole 11m 6kN metro
PO06_R	Wood pole 11m 6kN rural painted
PO07_M	Wood pole 12.5m 4kN metro
PO07_R	Wood pole 12.5m 4kN rural painted
PO08_M	Wood pole 12.5m 6kN metro
PO08_R	Wood pole 12.5m 6kN rural painted
PO09_M	Wood pole 12.5m 8kN metro
PO09_R	Wood pole 12.5m 8kN rural painted
PO11_M	Wood pole 14m 8kN metro
PO11_R	Wood pole 14m 8kN rural painted
PO18_11M	SSP 11m Pole (8.45m above ground)
PO18_11R	SSP 11m Pole (8.45m above ground) Painted
PO18_12.5M	SSP 12.5m Pole (9.7m above ground)
PO18_12.5R	SSP 12.5m Pole (9.7m above ground) Painted
PO18_14M	SSP 14m Pole (11m above ground)
PO18_14R	SSP 14m Pole (11m above ground) Painted



				COMPATIBLE UNIT			DISTRIBUTION DESIGN CATALOGUE					
				TITLE			DRAWN: JRR		DATE: 17-04-2014		DRG. No.	
				WOOD POLE			ORIGINATED:		SCALE: NTS		P002-P011	
							CHECKED: DVT		APPROVED:		REV. SHIT.	
							GRANT STACY		E			
REV	DATE	DESCRIPTION	DRGD.	CHKD.	APRD.							
E	01.03.18	ITEM 3 ADDED	JC	REE	GS							
D	17.04.14	FORMAT CHANGED			GS							
C	31.07.13	ORIGINAL ISSUE										



CU	CU Description
----	----------------

PO02		Wood pole 9.5m 5 kN			
ITEM NUMBER	STOCK CODE	DESCRIPTION	QTY ROD	UNIT OF MEASURE	REMARKS
1	CW1205	Wood pole 9.5m 5 kN	1	ea	
3	CZ5005	Aluminium Plate for Pole Pick ID	1	ea	

PO02_R		Wood pole 9.5m 5 kN rural painted			
ITEM NUMBER	STOCK CODE	DESCRIPTION	QTY ROD	UNIT OF MEASURE	REMARKS
1	CW1101	Wood pole 9.5m 5 kN painted	1	ea	
3	CZ5005	Aluminium Plate for Pole Pick ID	1	ea	

PO04_M		Wood pole 11m 4kN metro			
ITEM NUMBER	STOCK CODE	DESCRIPTION	QTY ROD	UNIT OF MEASURE	REMARKS
1	CW1214	Wood pole 11m 4kN	1	ea	
2	CZ0228	danger label	1	ea	
3	CZ5005	Aluminium Plate for Pole Pick ID	1	ea	

PO04_R		Wood pole 11m 4kN rural painted			
ITEM NUMBER	STOCK CODE	DESCRIPTION	QTY ROD	UNIT OF MEASURE	REMARKS
1	CW1103	Wood pole 11m 4kN painted	1	ea	
2	CZ0228	danger label	1	ea	
3	CZ5005	Aluminium Plate for Pole Pick ID	1	ea	

PO05_M		Wood pole 11m 5 kN metro			
ITEM NUMBER	STOCK CODE	DESCRIPTION	QTY ROD	UNIT OF MEASURE	REMARKS
1	CW1215	Wood pole 11m 5 kN	1	ea	
2	CZ0228	danger label	1	ea	
3	CZ5005	Aluminium Plate for Pole Pick ID	1	ea	

PO05_R		Wood pole 11m 5 kN rural painted			
ITEM NUMBER	STOCK CODE	DESCRIPTION	QTY ROD	UNIT OF MEASURE	REMARKS
1	CW1113	Wood pole 11m 5 kN painted	1	ea	
2	CZ0228	danger label	1	ea	
3	CZ5005	Aluminium Plate for Pole Pick ID	1	ea	

CU	CU Description
----	----------------

PO06_M Wood pole 11m 6 kN metro					
ITEM NUMBER	STOCK CODE	DESCRIPTION	QTY ROD	UNIT OF MEASURE	REMARKS
1	CW1216	Wood pole 11m 6 kN	1	ea	
2	CZ0228	danger label	1	ea	
3	CZ5005	Aluminium Plate for Pole Pick ID	1	ea	

PO06_R Wood pole 11m 6 kN rural painted					
ITEM NUMBER	STOCK CODE	DESCRIPTION	QTY ROD	UNIT OF MEASURE	REMARKS
1	CW1102	Wood pole 11m 6 kN painted	1	ea	
2	CZ0228	danger label	1	ea	
3	CZ5005	Aluminium Plate for Pole Pick ID	1	ea	

PO07_M Wood pole 12.5m 4 kN metro					
ITEM NUMBER	STOCK CODE	DESCRIPTION	QTY ROD	UNIT OF MEASURE	REMARKS
1	CW1224	Wood pole 12.5m 4 kN	1	ea	
2	CZ0228	danger label	1	ea	
3	CZ5005	Aluminium Plate for Pole Pick ID	1	ea	

PO07_R Wood pole 12.5m 4 kN rural painted					
ITEM NUMBER	STOCK CODE	DESCRIPTION	QTY ROD	UNIT OF MEASURE	REMARKS
1	CW1104	Wood pole 12.5m 4 kN painted	1	ea	
2	CZ0228	danger label	1	ea	
3	CZ5005	Aluminium Plate for Pole Pick ID	1	ea	

PO08_M Wood pole 12.5m 6 kN metro					
ITEM NUMBER	STOCK CODE	DESCRIPTION	QTY ROD	UNIT OF MEASURE	REMARKS
1	CW1226	Wood pole 12.5m 6 kN	1	ea	
2	CZ0228	danger label	1	ea	
3	CZ5005	Aluminium Plate for Pole Pick ID	1	ea	

PO08_R Wood pole 12.5m 6 kN rural painted					
ITEM NUMBER	STOCK CODE	DESCRIPTION	QTY ROD	UNIT OF MEASURE	REMARKS
1	CW1105	Wood pole 12.5m 6 kN painted	1	ea	
2	CZ0228	danger label	1	ea	
3	CZ5005	Aluminium Plate for Pole Pick ID	1	ea	

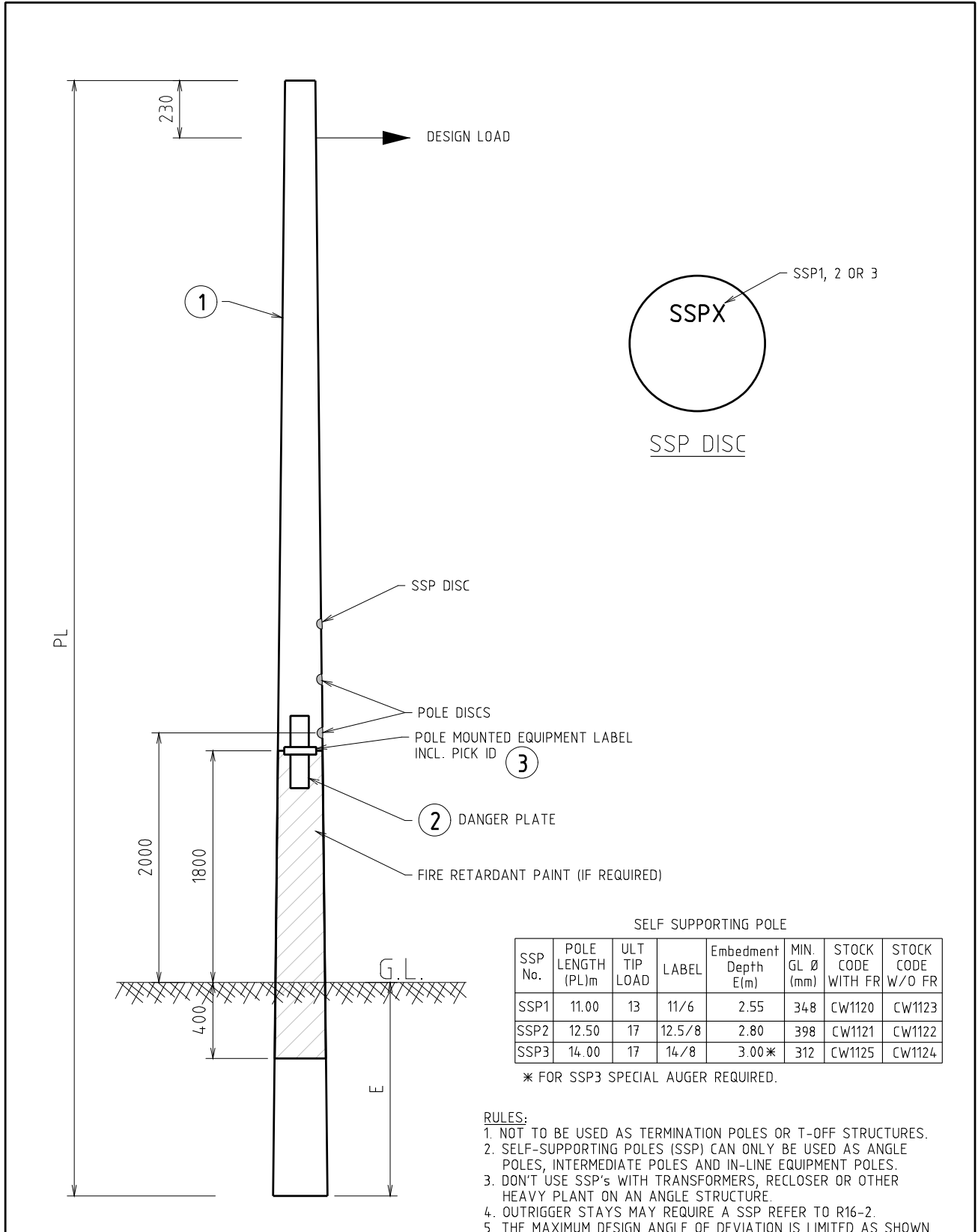
CU	CU Description
----	----------------

PO09_M		Wood pole 12.5m 8 kN metro			
ITEM NUMBER	STOCK CODE	DESCRIPTION	QTY ROD	UNIT OF MEASURE	REMARKS
1	CW1228	Wood pole 12.5m 8 kN	1	ea	
2	CZ0228	danger label	1	ea	
3	CZ5005	Aluminium Plate for Pole Pick ID	1	ea	

PO09_R		Wood pole 12.5m 8 kN rural painted			
ITEM NUMBER	STOCK CODE	DESCRIPTION	QTY ROD	UNIT OF MEASURE	REMARKS
1	CW1112	Wood pole 12.5m 8 kN painted	1	ea	
2	CZ0228	danger label	1	ea	
3	CZ5005	Aluminium Plate for Pole Pick ID	1	ea	

PO11_M		Wood pole 14m 8 kN metro			
ITEM NUMBER	STOCK CODE	DESCRIPTION	QTY ROD	UNIT OF MEASURE	REMARKS
1	CW1247	Wood pole 14m 8kN	1	ea	
2	CZ0228	danger label	1	ea	
3	CZ5005	Aluminium Plate for Pole Pick ID	1	ea	

PO11_R		Wood pole 14m 8 kN rural painted			
ITEM NUMBER	STOCK CODE	DESCRIPTION	QTY ROD	UNIT OF MEASURE	REMARKS
1	CW1106	Wood pole 14m 8kN painted	1	ea	
2	CZ0228	danger label	1	ea	
3	CZ5005	Aluminium Plate for Pole Pick ID	1	ea	



NOTES:-
1. ALL DIMENSIONS ARE IN MILLIMETRES U.N.O.

- RULES:**
1. NOT TO BE USED AS TERMINATION POLES OR T-OFF STRUCTURES.
 2. SELF-SUPPORTING POLES (SSP) CAN ONLY BE USED AS ANGLE POLES, INTERMEDIATE POLES AND IN-LINE EQUIPMENT POLES.
 3. DON'T USE SSP'S WITH TRANSFORMERS, RECLOSER OR OTHER HEAVY PLANT ON AN ANGLE STRUCTURE.
 4. OUTRIGGER STAYS MAY REQUIRE A SSP REFER TO R16-2.
 5. THE MAXIMUM DESIGN ANGLE OF DEVIATION IS LIMITED AS SHOWN IN R13-4.

				COMPATIBLE UNIT				DISTRIBUTION DESIGN CATALOGUE		westernpower	
K	01.03.18	ITEM 3 ADDED	JC	REE	GS	TITLE	DRAWN: JRR	DATE: 30-05-2014	DRG. No.		
J	11.01.18	NOTES REVISED	MD	GS	GS	SELF SUPPORTING WOOD POLE	ORIGINATED: DVT	SCALE: NTS	P018		
H	30.10.15	SSP3 ADDED IN THE TABLE	DVT	AT	GS		CHECKED: AK	APPROVED: GRANT STACY		REV. K	SHT.
G	18.09.15	SSP DISC DIAGRAM REVISED	DVT	AK	CO						
F	10.08.15	TABLE REVISED	DVT	AK	GS						
REV	DATE	DESCRIPTION	DRG.	CHKD.	APRD.						



CU	CU Description
----	----------------

PO18_11M		SSP 11m Pole (8.45m above gnd.)			
ITEM NUMBER	STOCK CODE	DESCRIPTION	QTY RQD	UNIT OF MEASURE	REMARKS
1	CW1123	Wood pole 11m 6kN	1	ea	
3	CZ5005	Aluminium Plate for Pole Pick ID	1	ea	

PO18_11R		SSP 11m Pole (8.45m above gnd.) Painted			
ITEM NUMBER	STOCK CODE	DESCRIPTION	QTY RQD	UNIT OF MEASURE	REMARKS
1	CW1120	Wood pole 11m 6kN Painted	1	ea	
3	CZ5005	Aluminium Plate for Pole Pick ID	1	ea	

PO18_12.5M		SSP 12.5m Pole (9.7m above gnd.)			
ITEM NUMBER	STOCK CODE	DESCRIPTION	QTY RQD	UNIT OF MEASURE	REMARKS
1	CW1122	Wood pole 12.5m 8kN	1	ea	
2	CZ0228	Danger Label	1	ea	
3	CZ5005	Aluminium Plate for Pole Pick ID	1	ea	

PO18_12.5R		SSP 12.5m Pole (9.7m above gnd.) Painted			
ITEM NUMBER	STOCK CODE	DESCRIPTION	QTY RQD	UNIT OF MEASURE	REMARKS
1	CW1121	Wood pole 12.5m 8kN Painted	1	ea	
2	CZ0228	Danger Label	1	ea	
3	CZ5005	Aluminium Plate for Pole Pick ID	1	ea	

PO18_14M		SSP 14m Pole (11m above gnd.)			
ITEM NUMBER	STOCK CODE	DESCRIPTION	QTY RQD	UNIT OF MEASURE	REMARKS
1	CW1124	Wood pole 14m 8kN	1	ea	
2	CZ0228	Danger Label	1	ea	
3	CZ5005	Aluminium Plate for Pole Pick ID	1	ea	

PO18_14R		SSP 14m Pole (11m above gnd.) Painted			
ITEM NUMBER	STOCK CODE	DESCRIPTION	QTY RQD	UNIT OF MEASURE	REMARKS
1	CW1125	Wood pole 14m 8kN Painted	1	ea	
2	CZ0228	Danger Label	1	ea	
3	CZ5005	Aluminium Plate for Pole Pick ID	1	ea	



Uncontrolled document when printed. Printed copy expires one week from print date.