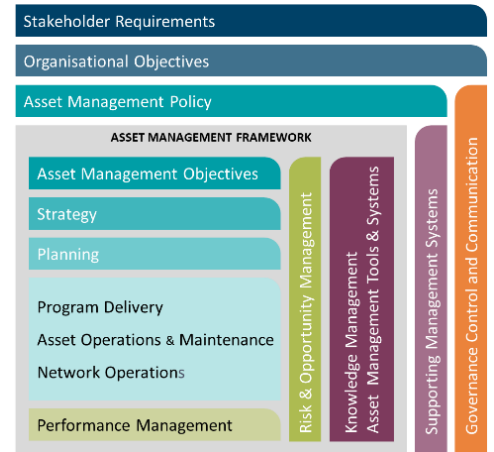


Western Power's Asset Management System

Distribution Construction Standard Handbook Low Voltage Aerial Bundled Cable Part 07 (A)



Original Issue: November 2003

Content Owner/Custodian: Distribution Design and Standards

This Revision: May 2026

Date for Next Review: April 2028

© Western Power
ABN 18540492861



Document control

Endorsement approvals

	Name	Title	Signature and Date
Compiled by	Nory Cerrado	Distribution Draftsperson	Signature on file
Checked by	Chris Omodei	Principal Engineer	Signature on file
Endorsed by	Ken Tiong	Team Leader	Signature on file
Approved by	Pep Ngwenya	Distribution Design & Standards Manager	Signature on file

Record of revisions

Revision No.	Date	Version	Compiled by	Description
1	01/04/2025	EDM 9	Nory Cerrado	First Revision with new Format and 3 yearly review
2	25/05/2026	Volt 11	Nory Cerrado	Refer to Amendment List

This document gives direction to and influences the following documents.

Doc	Title of document
ALL CHAPTERS	DDC - DISTRIBUTION DESIGN CATALOGUE
ALL CHAPTERS	DCSH - DISTRIBUTION CONSTRUCTION STANDARD HANDBOOK
ALL CHAPTERS	DSPM - DISTRIBUTION SUBSTATION PLANT MANUAL

Stakeholders (people that were consulted when document was updated)

Business Unit / Function

Asset Management - Asset Performance

Asset Management – Safety Environment Quality and Training

Asset Management - Grid Transformation

Asset Operations – Network Operations

Asset Operations – Operational Services

Asset Operations – Customer Connection Services

Business and Customer Service – Customer Service

Notification list (people to be notified when document is updated)

Business Unit / Function

Asset Management - Asset Performance

Asset Management – Safety Environment Quality and Training

Asset Management - Grid Transformation

Asset Operations – Network Operations

Asset Operations – Operational Services

Asset Operations – Customer Connection Services

Business and Customer Service – Customer Service

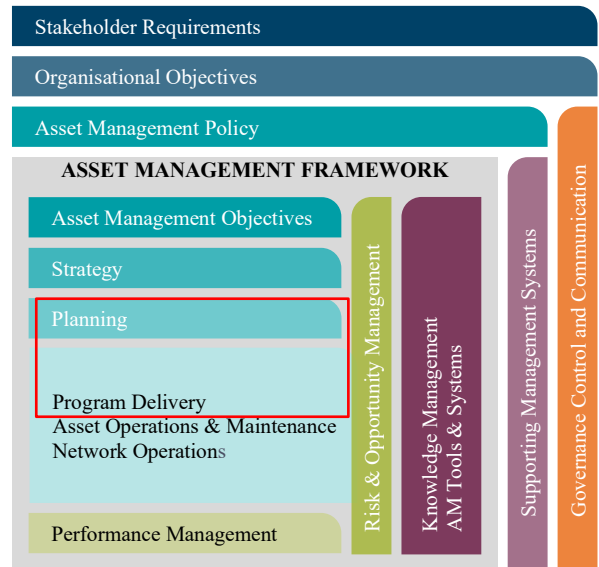
This document must not be made available to personnel outside Western Power without the prior written approval of Western Power.

Document classification and hierarchy

A key requirement of the Western Power Asset Management Policy (AMP) is to develop and maintain an Asset Management System (AMS). This Distribution Substation Plant Manual is defined as a technical document within the AMS document classification and structure and sits within the planning and Program Delivery components of the AMS.

The AMS and the interrelationships between the collection of documents, tools and systems that are used for asset management are described in the AMS document Volt ID

ID-005-dc7f342fed83eb7f008777ff0463b876

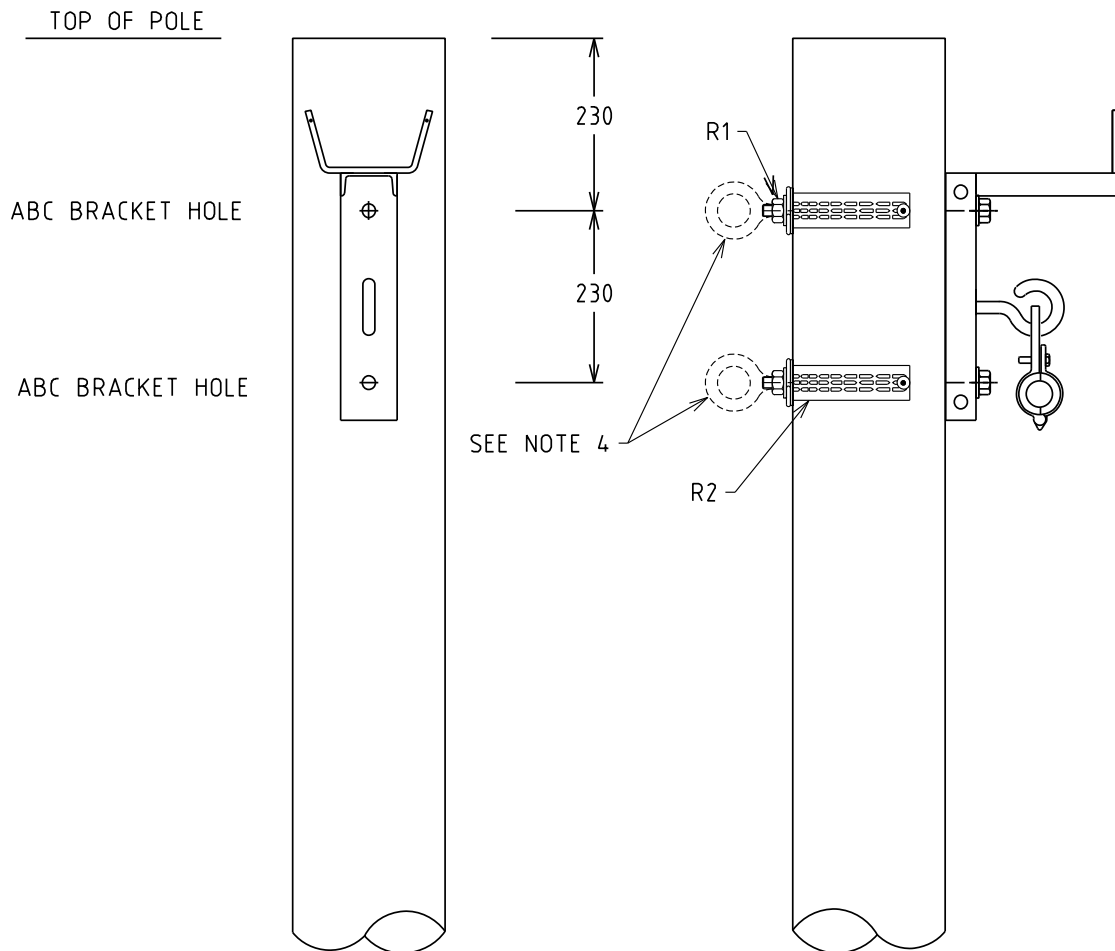


© **Copyright of Western Power**

Any use of this material except in accordance with a written agreement with Western Power is prohibited.

Drawing Register

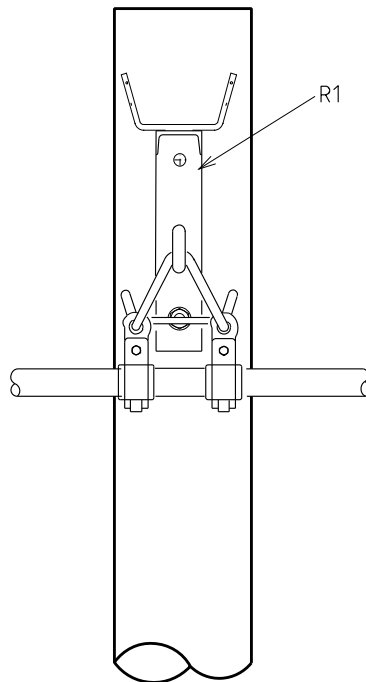
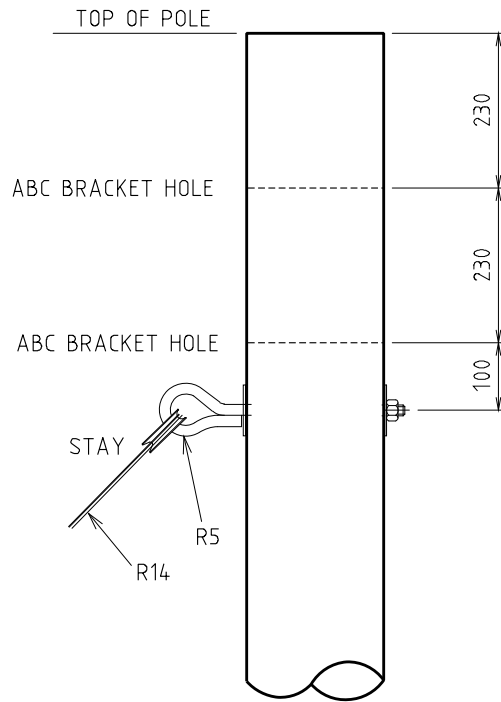
Number	Revision	Description
A01	C	Intermediate Angle, 0 - 25 degrees, Drilling detail
A02	C	Angle 26 - 50 degrees, Pole Details
A03-1	E	Termination Pole, ABC Details
A03-2	A	Termination – with or without fusing / isolation
A04-1	F	Strain - With or Without Fusing / isolation
A04-2	B	Strain – LV ABC to Bare With Fuse
A05	D	Tee Off, Drilling Details
A06	E	Tee Off, LV Bare to Fused ABC
A07	B	Tee Off, Bare to ABC
A10	A	In Span - Full Tension Joint



NOTES:-

1. ALL DIMENSIONS ARE IN MILLIMETRES.
2. ALL HOLES 18 ϕ U.O.N.
3. DISPERSION PLATES ONLY REQUIRED IF HV IS PRESENT ON POLE.
4. EYEBOLTS MAY BE SUBSTITUTED FOR POLEBOLTS WHERE SERVICE WIRES ARE TO BE SUPPORTED ON THE OPPOSITE SIDE OF THE POLE.

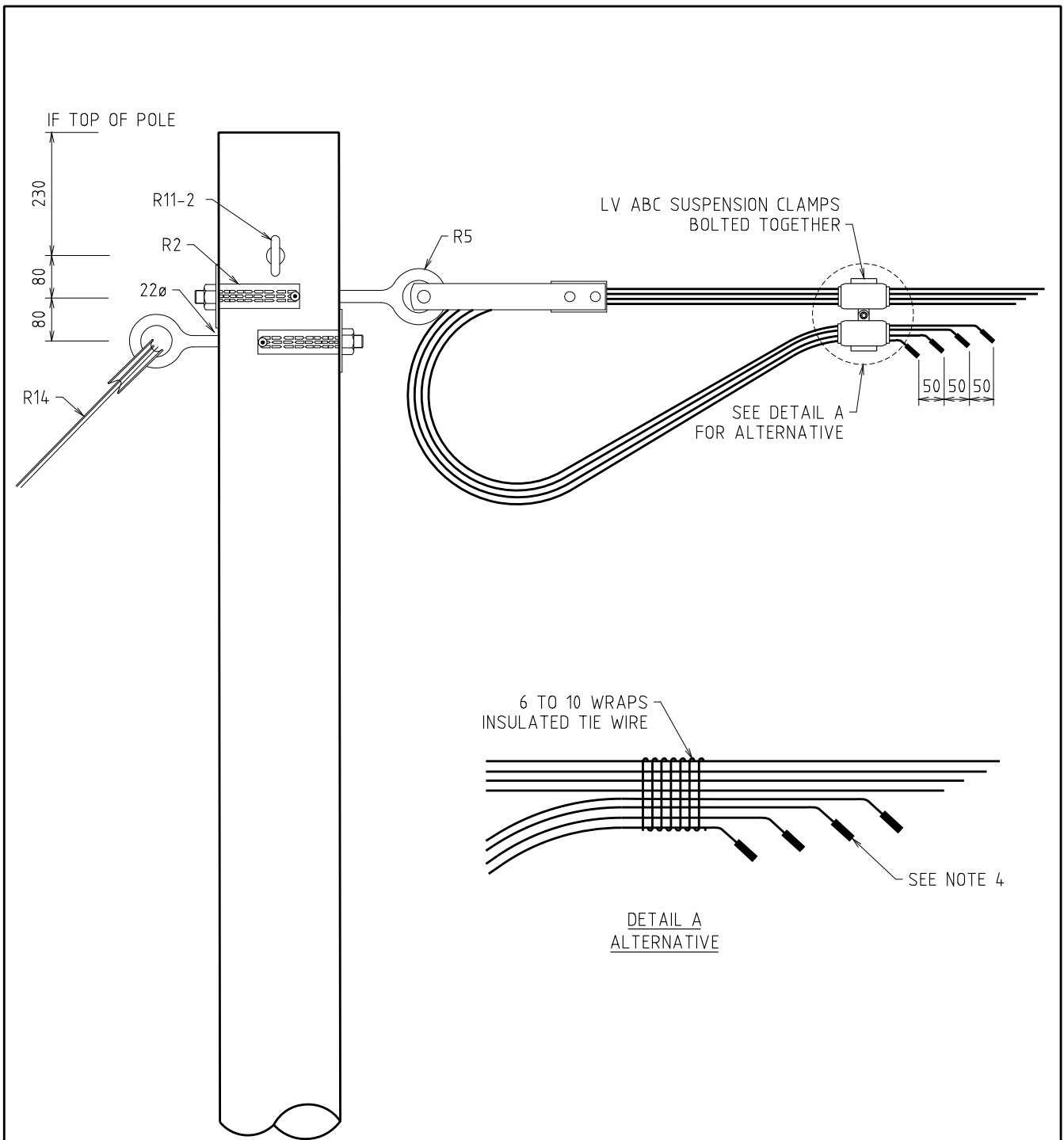
				STRUCTURE			DISTRIBUTION CONSTR. STANDARD			
				TITLE			DRAWN: JRR DATE: 24-03-2014 DRG. No.		A01	
				INTERMEDIATE ANGLE 0° - 25° DRILLING DETAILS			ORIGINATED: SCALE: NTS			
C	11.01.19	NOTES REVISED		MS	REE	GS	CHECKED: REE		REV. C	
B	23.11.18	NOTES REVISED		JN	REE	GS	APPROVED: GRANT STACY			
A	13.07.00	ORIGINAL ISSUE								
REV	DATE	DESCRIPTION		DRG	CHKD	APRD				



NOTES:-

1. ALL DIMENSIONS ARE IN MILLIMETRES.
2. ALL HOLES 18φ U.O.N.
3. REFER TO DWG. R15 FOR FURTHER DETAILS OF POLE.
4. DISPERSION PLATES ONLY REQUIRED IF HV IS PRESENT ON POLE.

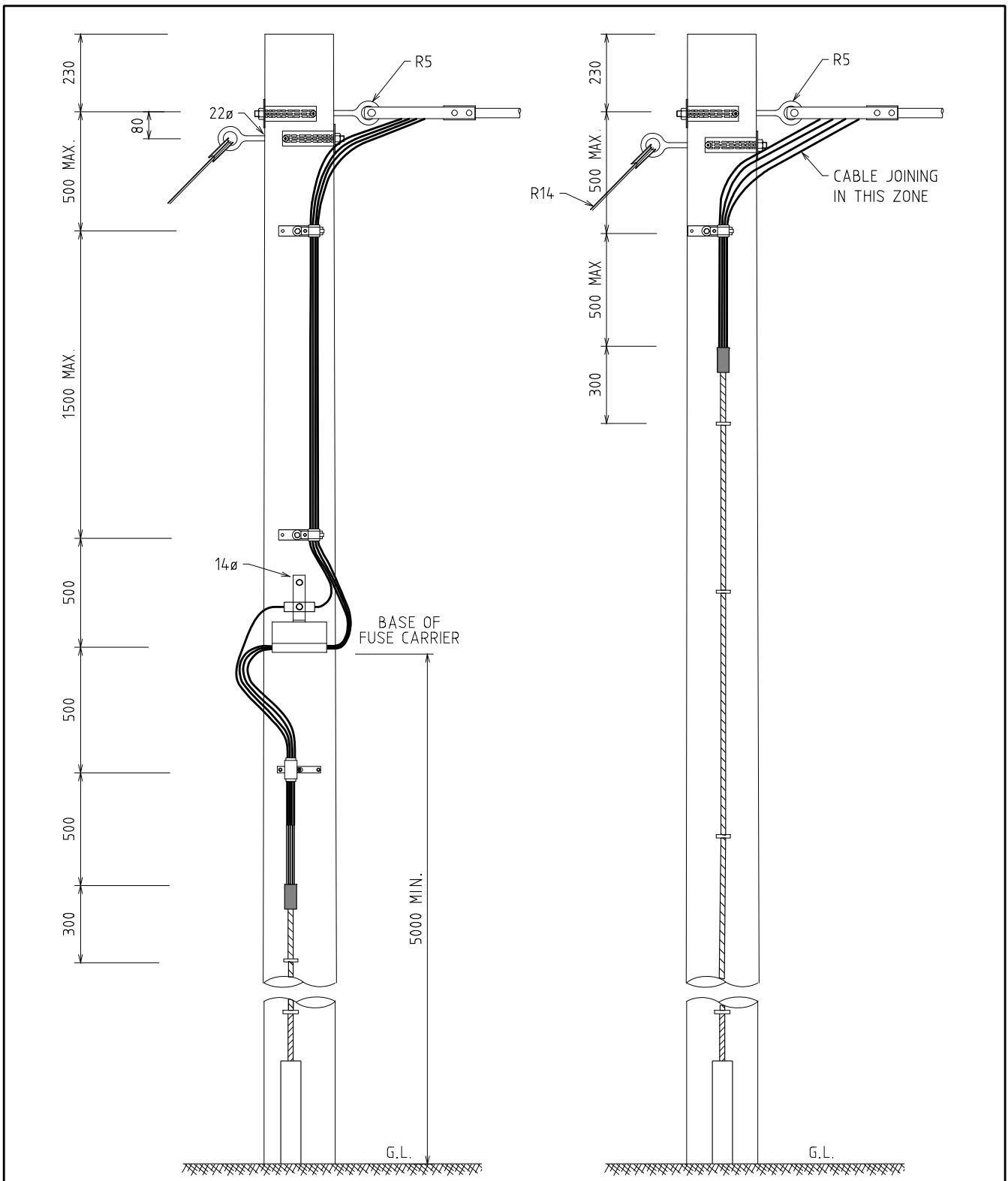
				STRUCTURE			DISTRIBUTION CONSTR. STANDARD		westernpower		
				TITLE			DRAWN: JRR DATE: 24-03-2014		DRG. No.		
				ANGLE 26° - 50° POLE DETAILS			ORIGINATED: ME SCALE: NTS		A02		
							CHECKED: FK		REV. SHT.		
							APPROVED: GRANT STACY		C		
REV	DATE	DESCRIPTION	ORGD.	CHKD.	APRD.						
C	23.11.18	NOTES REVISED		JN	REE	GS					
B	04.02.16	DWG. FORMAT & TITLE CHANGED AND NOTES REVISED		ME	FK	GS					
A	12.12.11	ORIGINAL ISSUE									



NOTES:-

1. ALL DIMENSIONS ARE IN MILLIMETRES.
2. ALL HOLES 18ø U.O.N.
3. DISPERSION PLATES ONLY REQUIRED IF HV IS PRESENT ON POLE.
4. LV ABC TAILS TO BE CAPPED/SEALED.
5. SERVICE IPCs CAN BE INSTALLED ON MAINS OR TAIL.

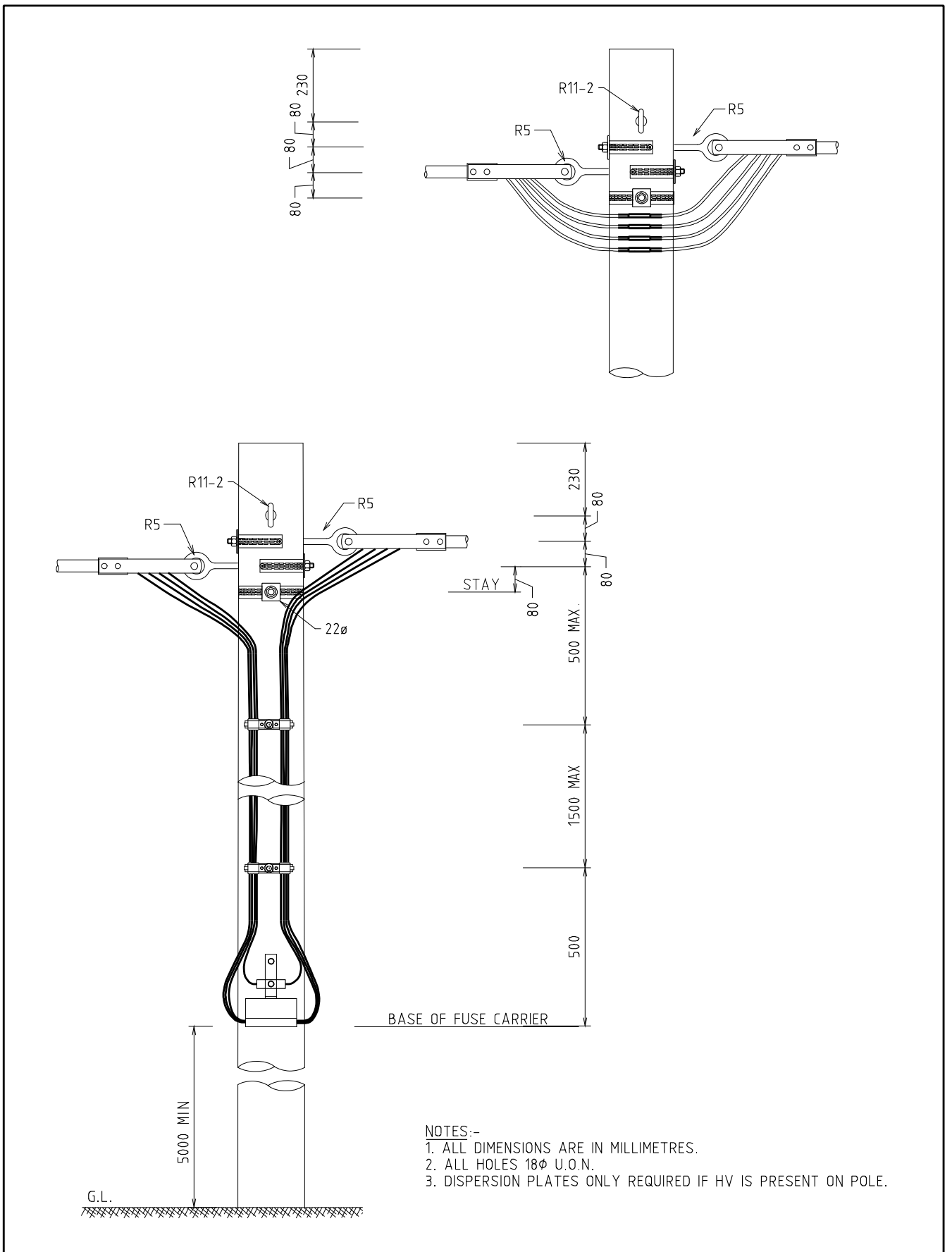
				STRUCTURE			DISTRIBUTION CONSTR. STANDARD			
				TITLE			DRAWN: JRR		DATE: 24-03-2014	
				TERMINATION POLE ABC DETAILS			ORIGINATED:		SCALE: NTS	
							CHECKED: REE		DRG. No. A03-01	
							APPROVED: GRANT STACY		REV. E	
REV	DATE	DESCRIPTION	ORGD	CHKD	APRD					
E	09.09.22	DRAWING NUMBER CHANGED TO A03-01 & DETAILS REVISED	CO	NMc	GS					
D	29.03.19	SUSPENSION CLAMPS & NOTES REVISED	CO	NMc	GS					
C	23.11.18	NOTES REVISED	JN	REE	GS					
B	15.11.04	ORIGINAL ISSUE								



- NOTES:-
1. ALL DIMENSIONS ARE IN MILLIMETRES.
 2. ALL HOLES 18φ U.O.N.
 3. DISPERSION PLATES ONLY REQUIRED IF HV IS PRESENT ON POLE.

				STRUCTURE		DISTRIBUTION CONSTR. STANDARD			
				TITLE		DRAWN: JRR DATE: 30-05-2022		DRG. No.	
				TERMINATION - WITH OR WITHOUT FUSING / ISOLATION		ORIGINATED: CO SCALE: NTS		A03-2	
						CHECKED: SH			
						APPROVED: GRANT STACY		REV. A SHT.	
A 09.09.22 ORIGINAL ISSUE		CO SU GS							
REV	DATE	DESCRIPTION		ORGD.	CHKD.	APRD.			

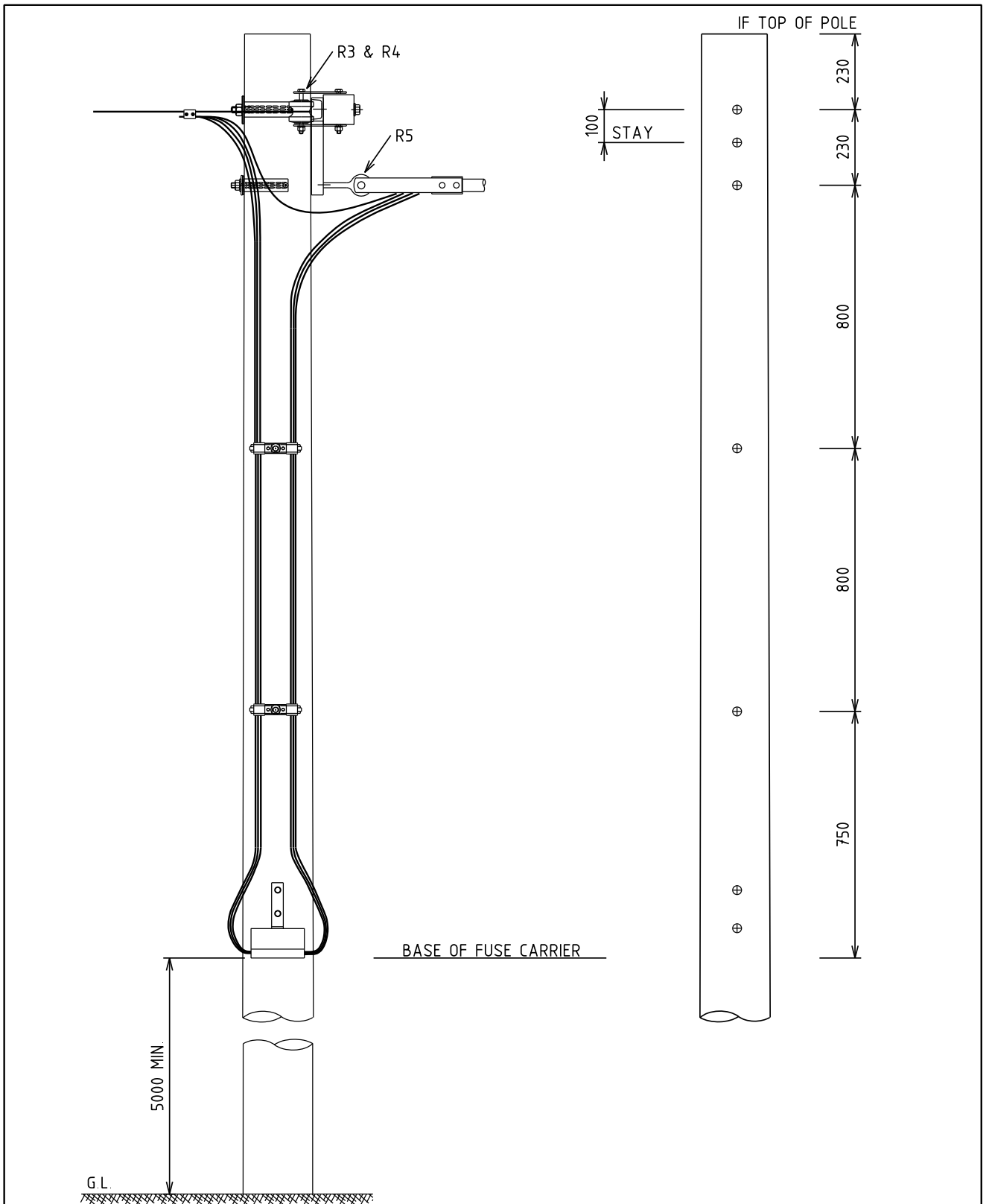




- NOTES:-
1. ALL DIMENSIONS ARE IN MILLIMETRES.
 2. ALL HOLES 18 ϕ U.O.N.
 3. DISPERSION PLATES ONLY REQUIRED IF HV IS PRESENT ON POLE.

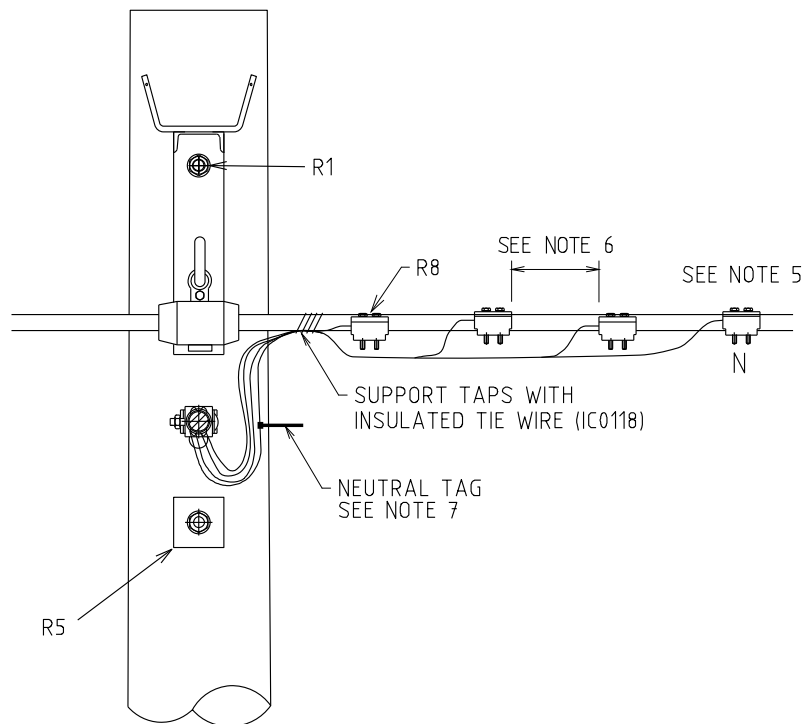
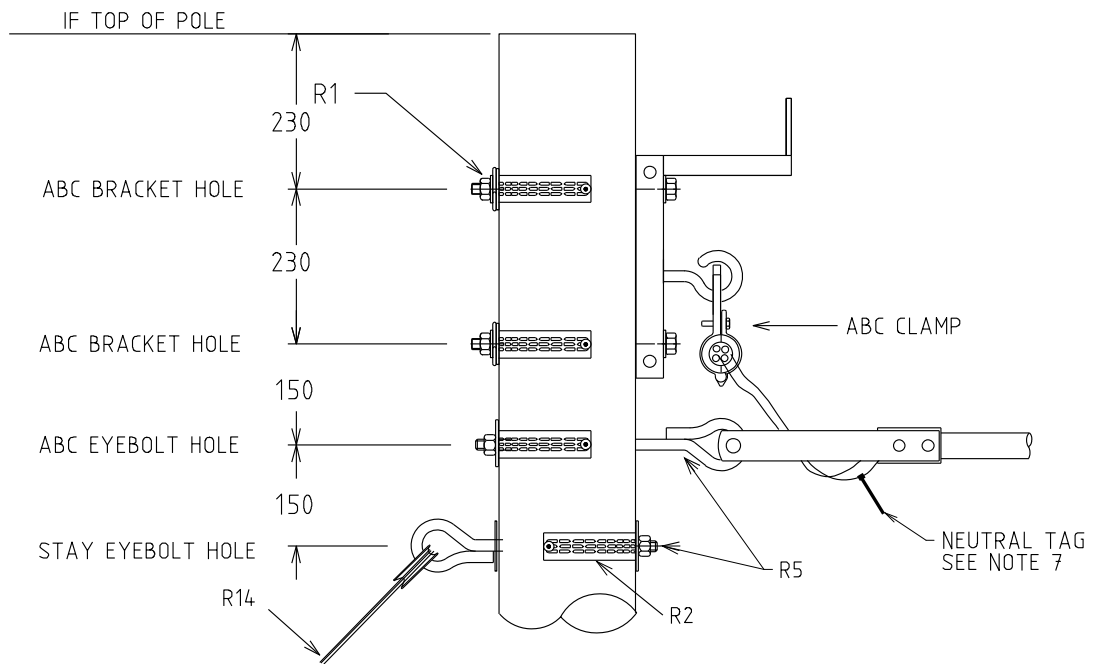
				STRUCTURE			DISTRIBUTION CONSTR. STANDARD		westernpower	
				TITLE			DRAWN: JRR		DATE: 10-03-2014	
				STRAIN - WITH OR WITHOUT FUSING / ISOLATION			ORIGINATED: ME		SCALE: NTS	
							CHECKED: FK		DRG. No. A04-1	
							APPROVED:		REV. SHT.	
							GRANT STACY		F	
REV	DATE	DESCRIPTION	ORGD	CHKD	APRD					
F	09.09.22	SERVICE BRACKET REMOVED	CO	NMc	GS					
E	21.06.19	DRAWING NUMBER CHANGED TO A04-1	CO	NMc	GS					
D	23.11.18	NOTE 4 ADDED	JN	REE	GS					





- NOTES:**
1. ALL DIMENSIONS ARE IN MILLIMETRES.
 2. ALL HOLES 18φ U.O.N.
 3. DISPERSION PLATES ONLY REQUIRED IF HV IS PRESENT ON POLE.

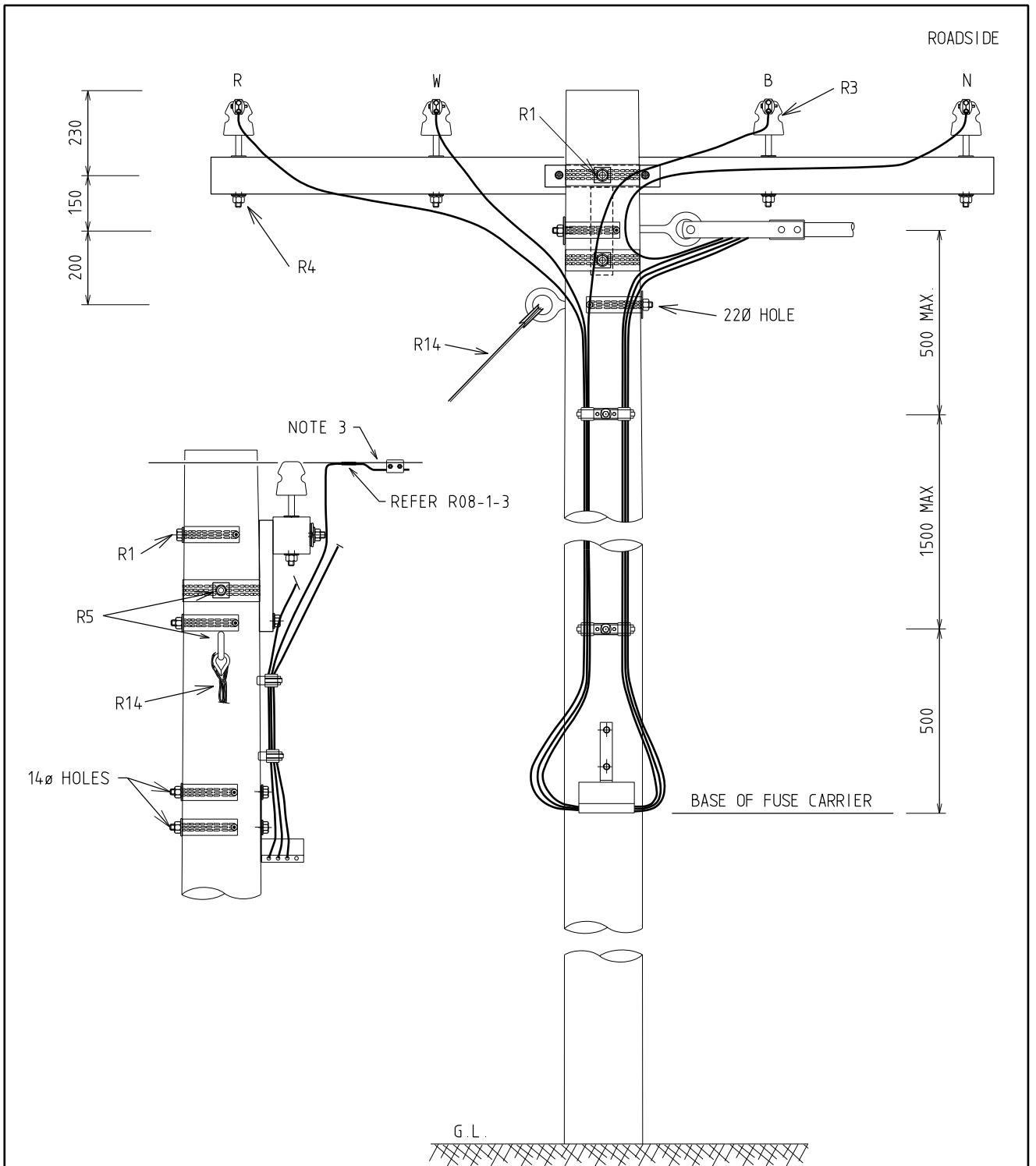
				STRUCTURE				DISTRIBUTION CONSTR. STANDARD		westernpower	
				TITLE				DRAWN: JRR		DATE: 20-06-2019	
				STRAIN - LV ABC TO BARE WITH FUSE				ORIGINATED: CO		SCALE: NTS	
								CHECKED: NMc		APPROVED: GRANT STACY	
								ORG. CO		CHKD. GS	
								APRD.		REV. B	
										SHT. 1/1	



NOTES:-

1. ALL DIMENSIONS ARE IN MILLIMETRES.
2. ALL HOLES 18Ø U.O.N.
3. IPC ARE SINGLE USE ONLY (NOT TO BE RE-USED)
4. DISPERSION PLATES ONLY REQUIRED IF HV IS PRESENT ON POLE.
5. NEUTRAL IPC INSTALLED FURTHERMOST FROM THE POLE.
6. 150mm BETWEEN IPC'S.
7. NEUTRAL TAG (HG2101) APPLIED WITHIN 300mm OF THE ABC TERMINATION CLAMP.

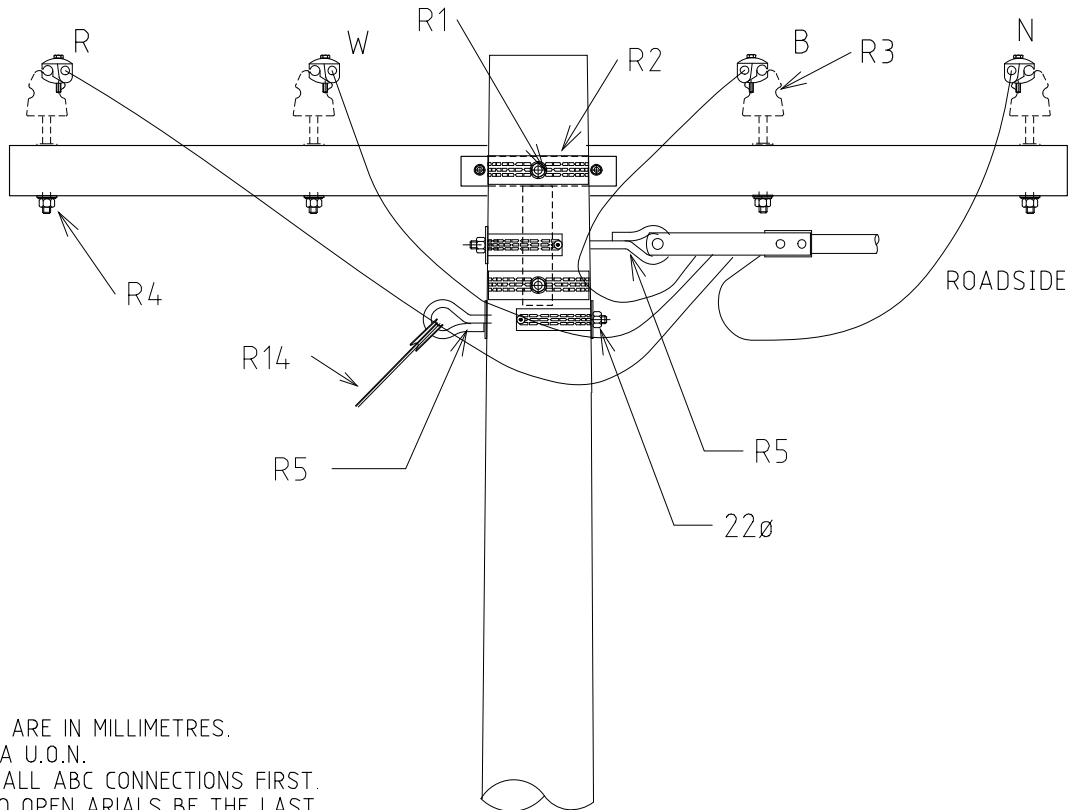
				STRUCTURE			DISTRIBUTION CONSTR. STANDARD			
				TITLE			DRAWN: JRR DATE: 24-03-2014 DRG. No.		A05	
				TEE OFF - DRILLING DETAILS			ORIGINATED: SCALE: NTS			
							CHECKED: REE			
							APPROVED: GRANT STACY			
REV	DATE	DESCRIPTION	DRG.	CHKD.	APRD.			REV.	SHT.	
D	31.08.23	NOTE AND DETAILS REVISED	SL	NMc	CO					
C	23.11.18	NOTE 4 ADDED	JN	REE	GS					
B	19.06.18	NOTES REVISED	JC	NMc	GS					
A	25.03.04	ORIGINAL ISSUE								



NOTES:

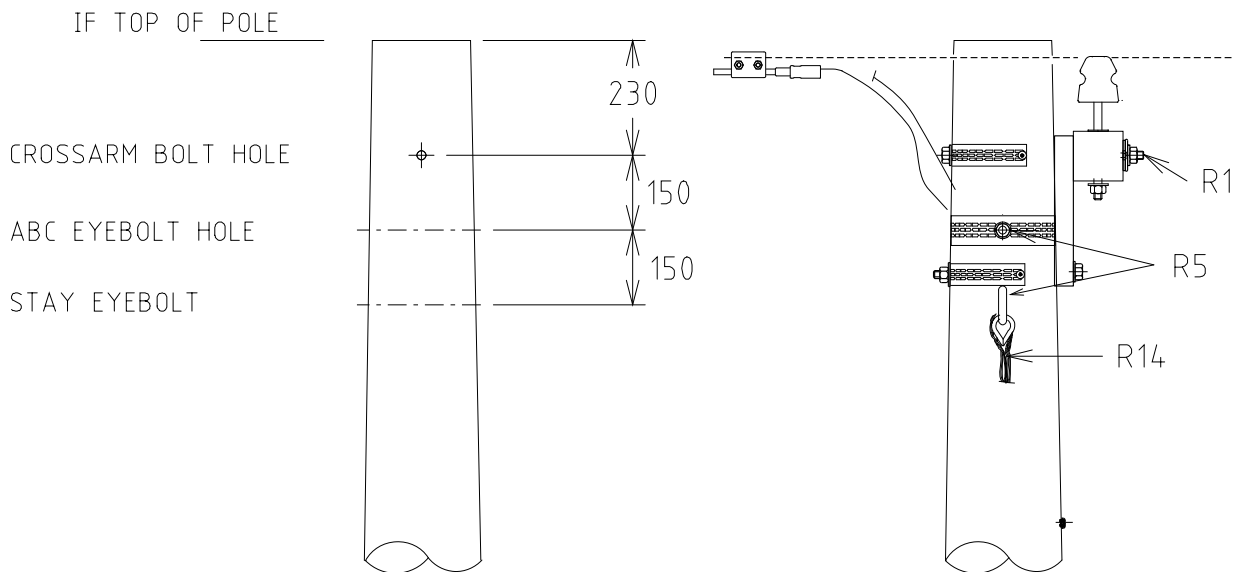
1. ALL DIMENSIONS ARE IN MILLIMETRES.
2. ALL HOLES 18Ø U.O.N.
3. STALK SPLICE AND PG CLAMP TO BE USED FOR THIS ABC TO BARE AERIAL CONNECTION.
4. DISPERSION PLATES ONLY REQUIRED IF HV IS PRESENT ON POLE.

				STRUCTURE		DISTRIBUTION CONSTR. STANDARD				
E	16.01.26	NEUTRAL BLOCK REMOVED		VAS	CO	MM	TITLE	DRAWN: JRR	DATE: 24-03-2014	DRG. No.
D	09.09.22	DIMENSIONS REVISED		CO	NMc	GS		ORIGINATED:	SCALE: NTS	A06
C	23.11.18	NOTE 4 ADDED		JN	REE	GS	TEE OFF LV BARE TO FUSED ABC	CHECKED: REE		
B	17.03.17	NEUTRAL LINK AND EXTRA CLAMP ADDED		JC	REE	GS		APPROVED:		
A	21.11.02	ORIGINAL ISSUE						GRANT STACY	REV. E	SHT. 1/1
REV.	DATE	DESCRIPTION		ORGO.	CHKD.	APRD				

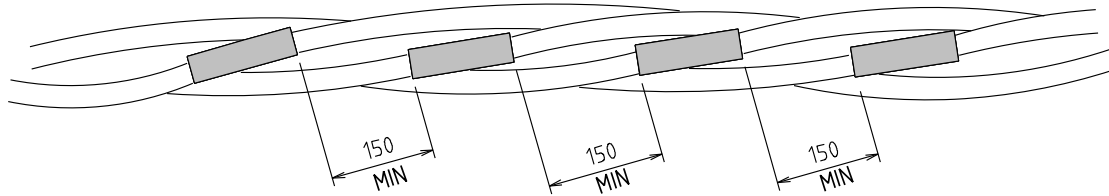


NOTES:-

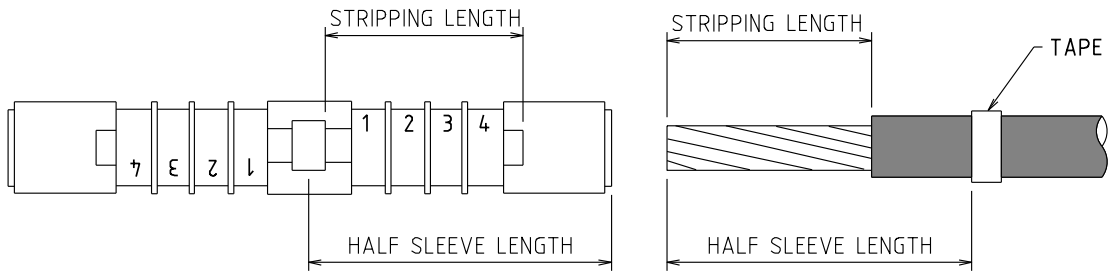
1. ALL DIMENSIONS ARE IN MILLIMETRES.
2. ALL HOLES 18DIA U.O.N.
3. ALWAYS MAKE ALL ABC CONNECTIONS FIRST.
4. CONNECTIONS TO OPEN ARIALS BE THE LAST PROCEDURE CARRIED OUT.
5. PHASING OUT BETWEEN THE ABC CONDUCTORS AND THE OPEN ARIALS MUST BE CARRIED OUT BEFORE CONNECTION IS MADE.
6. SPLICE AND PG CLAMP TO BE USED FOR THIS ABC TO BARE AERIAL CONNECTION AS ABC IS CONTINUOUS.
7. DISPERSION PLATES ONLY REQUIRED IF HV IS PRESENT ON POLE.



				STRUCTURE			DISTRIBUTION CONSTR. STANDARD		westernpower	
				TITLE			DRAWN: JRR		DATE: 24-03-2014	
				TEE OFF BARE TO ABC			ORIGINATED:		SCALE: NTS	
							CHECKED: REE		DRG. No.	
							APPROVED:		REV. SHT.	
							GRANT STACY		B	
B	23.11.18	NOTE 7 ADDED		JN	REE	GS				
A	21.11.02	ORIGINAL ISSUE								
REV	DATE	DESCRIPTION		ORGD	CHKD	APRD				



JOINT LAYOUT



JOINT PREPARATION

NOTES:-

1. ALL DIMENSIONS ARE IN MILLIMETRES.
2. ENSURE PHASES AND NEUTRAL ARE CORRECTLY MATCHED AND ORIENTED.
3. EACH CORE MUST BE CUT ACCURATELY TO ENSURE CORRECT BALANCE OF TENSIONS.
3. MARK CABLE END WITH TAPE AT HALF SLEEVE LENGTH.
4. STRIP INSULATION AS SHOWN ON DRAWING.
5. INSERT CABLE INTO SLEEVE INSURING TAPE MARK IS WITHIN 1-2mm OF FULL PENETRATION.
6. CRIMP WITH APPROPRIATE DIE, IN SEQUENCE STARTING AT NUMBER 1.
7. DO NOT OVERLAP THE CRIMPS.

				STRUCTURE		DISTRIBUTION CONSTR. STANDARD			
				TITLE		DRAWN: JRR DATE: 02-06-2017		DRG. No.	
				IN SPAN - FULL TENSION JOINT		ORIGINATED: REE SCALE: NTS		A10	
						CHECKED: NMc		REV. SHY.	
						APPROVED: GRANT STACY		A	
A 02.06.17 ORIGINAL ISSUE		REE NMc GS							
REV	DATE	DESCRIPTION		ORGD	CHKD	APRD			