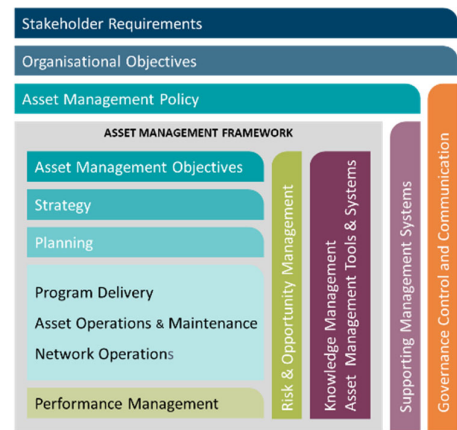


# Western Power's Asset Management System

## Distribution Design Catalogue Conductors and Fittings Section 07 (CN)



Original Issue: June 2004

Content Owner/Custodian: Distribution Design and Standards

This Revision: April 2026

Date for Next Review: April 2028

© Western Power  
ABN 18540492861



*Uncontrolled document when printed. Printed copy expires one week from print date.*

Volt ID ID-005-158175203ebb355381714e16af452c32

## Document control

### Endorsement approvals

	Name	Title	Signature and Date
Compiled by	Nory Cerrado	Distribution Draftsperson	Signature on file
Checked by	Chris Omodei	Principal Engineer	Signature on file
Endorsed by	Ken Tiong	Team Leader	Signature on file
Approved by	Pep Ngwenya	Distribution Design & Standards Manager	Signature on file

### Record of revisions

Revision No.	Date	Version	Compiled by	Description
1	07/04/2025	EDM 27	Nory Cerrado	First Revision with new Format and 3 yearly review
2	14/07/2025	Volt 28	Nory Cerrado	Refer to Amendment List
3	22/12/2025	Volt 30	Nory Cerrado	Refer to Amendment List
4	13/04/2026	Volt 31	Nory Cerrado	Refer to Amendment List

**This document gives direction to and influences the following documents.**

Doc	Title of document
ALL CHAPTERS	DDC - DISTRIBUTION DESIGN CATALOGUE
ALL CHAPTERS	DCSH - DISTRIBUTION CONSTRUCTION STANDARD HANDBOOK
ALL CHAPTERS	DSPM - DISTRIBUTION SUBSTATION PLANT MANUAL

**Stakeholders** (people that were consulted when document was updated)

#### Business Unit / Function

Asset Management - Asset Performance

Asset Management – Safety Environment Quality and Training

Asset Management - Grid Transformation

Asset Operations – Network Operations

Asset Operations – Operational Services

Asset Operations – Customer Connection Services

Business and Customer Service – Customer Service

**Notification list** (people to be notified when document is updated)

#### Business Unit / Function

Asset Management - Asset Performance

Asset Management – Safety Environment Quality and Training

Asset Management - Grid Transformation

Asset Operations – Network Operations

---

Asset Operations – Operational Services

---

Asset Operations – Customer Connection Services

---

Business and Customer Service – Customer Service

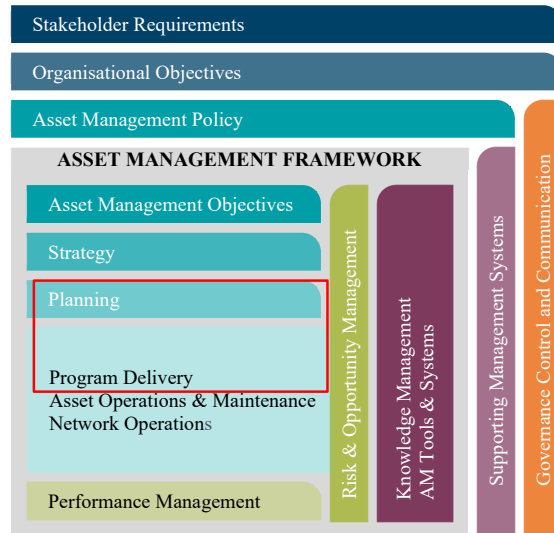
---

This document must not be made available to personnel outside Western Power without the prior written approval of Western Power.

## Document classification and hierarchy

A key requirement of the Western Power Asset Management Policy (AMP) is to develop and maintain an Asset Management System (AMS). This Distribution Substation Plant Manual is defined as a technical document within the AMS document classification and structure and sits within the planning and Program Delivery components of the AMS.

The AMS and the interrelationships between the collection of documents, tools and systems that are used for asset management are described in the AMS document Volt ID ID-005-dc7f342fed83eb7f008777ff0463b876.

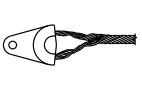
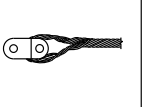
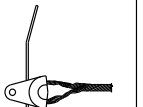
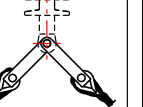
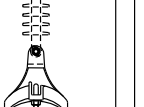
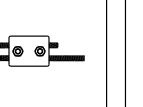
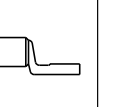
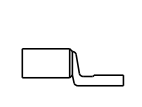

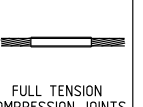
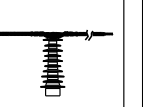
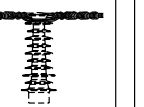
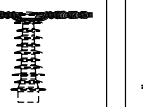
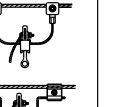
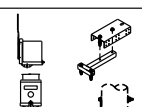
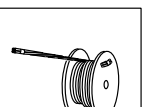
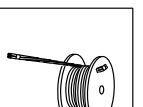

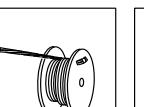
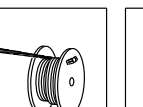
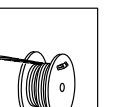
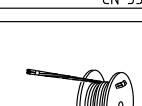
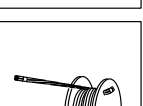
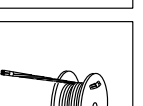
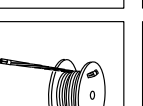

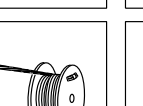
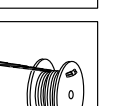
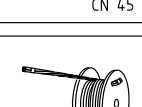
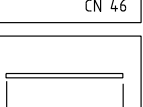
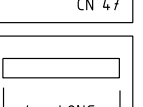
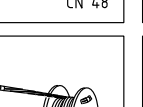
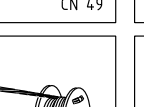
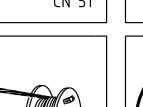
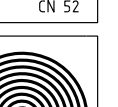
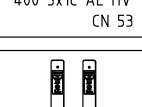
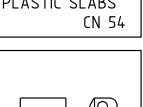
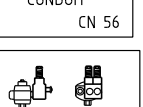
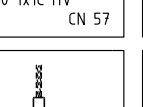
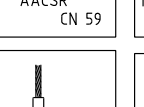
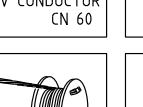
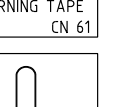
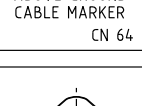
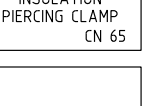

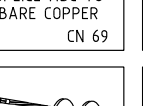
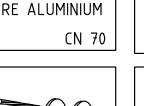
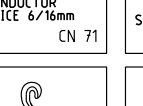
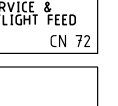


## **Revision List**

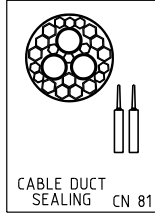
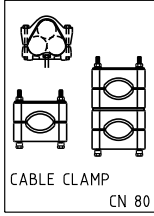
For drawing revisions please refer to the DDC Amendment list Volt ID  
ID-005-8398a186f48cf17cb12618586aa61cb0

## **© Copyright of Western Power**

Any use of this material except in accordance with a written agreement with Western Power is prohibited.

 TERMINATION AAC/AAAC & SCAC CN 1	 TERMINATION SCGZ & CU CN 4	 CLEVIS TER. FOR PTS - SCGZ & CU CN 5	 ANGLE ASSEMBLY SC/GZ, SC/AC & CU CN 6	 ANGLE CLAMP AAC/AAAC CN 8	 PG CLAMP CN 9	 LUG BI-METAL M10 HOLE CN 10
 LUG BI-METAL M12 HOLE CN 11	 HELICAL TERMIN CN 13	 FULL TENSION COMPRESSION JOINTS & HELICAL SPLICES FOR BARE AAC/AAAC, COPPER & STEEL CONDUCTORS CN 17	 ARMOUR RODS CN 18	 TIES - HV/LV AAC/AAAC CN 26	 TIES STEEL & COPPER CN 27	 STIRRUP LIVE LINE CLAMP CN 30
 POLE MOUNTED LV FUSE HOLDER CN 35	 CONDUCTOR SCAC CN 37	 CONDUCTOR LVABC 95/150 CN 38	 TAPPING CABLE CONDUCTOR CN 39	 CABLE 16 SL CN 41	 CABLE 25 LV CN 42	 CABLE 120 LV CN 43
 CABLE 240 LV CN 45	 CABLE 35 3x1C HV CN 46	 CABLE 35 1x1C HV CN 47	 CABLE 185 3x1C HV CN 48	 CABLE 240 3x1C HV CN 49	 CABLE 50 3x1C HV CN 51	 CONDUCTOR AAAC CN 52
 CABLE 400 3x1C AL HV CN 53	 2.1 m LONG PLASTIC SLABS CN 54	 4 m LONG CONDUIT CN 56	 CABLE 50 1x1C HV CN 57	 CONDUCTOR AACSR CN 59	 TX. LV CONDUCTOR CN 60	 CABLE BELOW WARNING TAPE CN 61
 ABOVE GROUND CABLE MARKER CN 64	 INSULATION PIERCING CLAMP CN 65	 INSULATION PIERCING CLAMP ABC TO 2 & 4 SERVICES CN 68	 SPLICE ABC TO BARE COPPER CN 69	 SPLICE ABC TO BARE ALUMINIUM CN 70	 CONDUCTOR SERVICE 6/16mm CN 71	 STRAIN CLAMP SERVICE & STREETLIGHT FEED CN 72
 CABLE END CAPS CN 73	 SPIRAL VIBRATION DAMPER CN 74	 CUSTOMER SERVICE CARRYOVER CONNECTION CN 75	 MESSENGER SCGZ WIRE CN 76	 HV COVERED CONDUCTOR CN 77	 HENDRIX SPACER CN 78	 BIRD FLIGHT DIVERTER CN 79

				COMPATIBLE UNIT				DISTRIBUTION DESIGN CATALOGUE		westernpower	
M	16.12.25	CN36 & CN58 DELETED	NG	VAS	CO			DRAWN: JRR	DATE: 13-03-2014	ORG. No.	
L	27.11.19	ITEM CN60 ADDED	CO	GC	GS			ORIGINATED:	SCALE: NTS	CN INDEX	
J	20.06.16	ITEM CN17 & CN40 DELETED AND CN77 ADDED	JC	REE	GS			CHECKED: REE		REV. M	
H	23.05.14	ITEM CN58 ADDED			GS			APPROVED: GRANT STACY		SHT.	1/2
REV.	DATE	DESCRIPTION	ORGD.	CHKD.	APRD.						



REV.	DATE	DESCRIPTION	ORGD.	CHKD.	APRD.
M	16.12.25	CN36 & CN58 DELETED	NG	VAS	CO
L	27.11.19	ITEM CN60 ADDED	CO	GC	GS
J	20.06.16	ITEM CN17 & CN40 DELETED AND CN77 ADDED	JC	REE	GS
H	23.05.14	ITEM CN58 ADDED			GS

COMPATIBLE UNIT	
CN COMPATIBLE UNIT	

DISTRIBUTION DESIGN CATALOGUE			
DRAWN: JRR	DATE: 13-03-2014	DRG. No.	
ORIGINATED:	SCALE: NTS	CN INDEX	
CHECKED: REE			
APPROVED: GRANT STACY			
REV. M	SHT. 2/2		



## Conductor and Fittings CU List

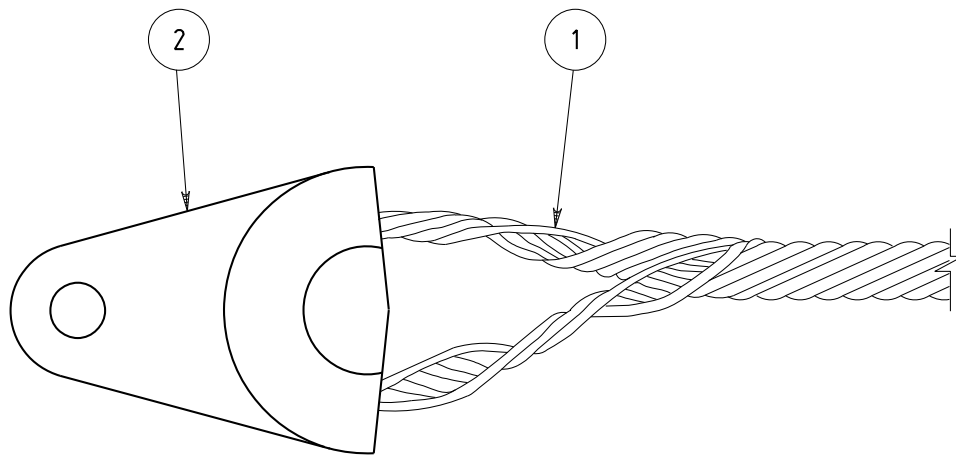
CU	CU DESCRIPTION
CN1_7/250	Termination - AAC & AAAC_7/2.50
CN1_7/300	Termination - AAC & AAAC_7/3.00
CN1_7/375	Termination - AAC & AAAC_7/3.75
CN1_7/450	Termination - AAC & AAAC_7/4.50
CN1_7/475	Termination - AAC & AAAC_7/4.75
CN1_19/325	Termination - AAC & AAAC_19/3.25
CN1_6/1/250	Termination - ACSR_6/1/2.50
CN1_6/1/300	Termination - ACSR & AACSR_6/1/3.00
CN1_6/475	Termination - ACSR_6/4.75 & 7/1.60
CN1_SCAC	Termination - SCAC_3/2.75 (3/12)
CN4_3/275	Termination-SCGZ_3/2.75
CN4_7/160	Termination-SCGZ_7/1.60
CN4_7/200	Termination-SCGZ_7/2.00
CN4_CU7/16	Termination-CU_7/16_7/160
CN4_CU7/14	Termination-CU_7/14_7/200
CN4_CU7/12	Termination-CU_7/12_7/275 (19/16)
CN4_CU19/14	Termination-CU_19/14_19/214
CN4_CU19/275	Termination-CU_19/275
CN5	Termination - SCGZ and CU conductor
CN6_3/2.75	Angle assembly - SCGZ_3/2.75
CN6_7/160	Angle assembly - SCGZ_7/1.60
CN6_3/2.75AC	Angle assembly - SCAC_3/2.75
CN6_CU7/16	Angle assembly - CU_7/16_7/160
CN6_CU7/14	Angle assembly - CU_7/14_7/200
CN6_CU7/12	Angle assembly - CU_7/12_7/275 (19/16)
CN6_CU19/14	Angle assembly - CU_19/14_19/214
CN8_7/250	Angle clamp - AAC & AAAC_7/2.50
CN8_7/475	Angle clamp - AAC & AAAC_7/4.75
CN8_19/325	Angle clamp - AAC & AAAC_19/3.25
CN9_7/250AA	PG clamp aluminium to aluminium_7/2.50
CN9_3/275A	PG clamp 3/275 SCGZ /AC to 3/275 SCGZ /AC
CN9_7/475AA	PG clamp aluminium to aluminium_7/4.75
CN9_19/325AA	PG clamp aluminium to aluminium_19/3.25
CN9_3/275AC	PG clamp aluminium to copper_3/2.75
CN9_7/250AC	PG clamp aluminium to copper_7/2.50
CN9_7/475AC	PG clamp aluminium to copper_7/4.75
CN9_19/325AC	PG clamp aluminium to copper_19/3.25
CN9_CU	PG clamp copper to copper_250 amp max.
CN9_CU250	PG clamp copper to copper >250 amp
CN9_T7/250	PG Clamp for 7/1.6mm SCGZ to 7/2.5 AC
CN9_T7/300	PG Clamp for 7/1.6mm SCGZ to 7/3.0 AC
CN9_T6/1/25	PG Clamp for 7/1.6mm SCGZ to 6/1/2.5 ACSR
CN9_T6/1/275	PG Clamp for 7/1.6mm SCGZ to 6/1/2.75 ACSR
CN9_T6/1/300	PG Clamp for 7/1.6mm SCGZ to 6/1/3.0 ACSR
CN9_T19/1.6C	PG Clamp for 7/1.6mm SCGZ to 19/1.6 HDBC
CN9_T7/3.75A	PG Clamp for 7/1.6mm SCGZ to 7/3.75AC

CU	CU DESCRIPTION
CN9_T/95ABC	PG Clamp for 7/1.6mm SCGZ to 95mm ABC
CN9_T7/14C	PG Clamp for 7/1.6mm SCGZ to 7/14 HDBC
CN9_T7/2.0C	PG Clamp for 7/1.6mm SCGZ to 7/2.0 HDBC
CN9_T19/14C	PG Clamp for 7/1.6mm SCGZ to 19/14 HDBC
CN9_T19/200C	PG Clamp for 7/1.6mm SCGZ to 19/2.0 HDBC
CN9_T7/4.5C	PG Clamp for 7/1.6mm SCGZ to 7/4.5AC
CN9_T7/1.6C	PG Clamp for 7/1.6mm SCGZ to 7/1.6 HDBC
CN9_T7/1.75C	PG Clamp for 7/1.6mm SCGZ to 7/1.75 HDBC
CN9_T7/4.75	PG Clamp for 7/1.6mm SCGZ to 7/4.75 AC
CN9_T19/3.25	PG Clamp for 7/1.6mm SCGZ to 19/3.25 AC
CN9_T150ABC	PG Clamp for 7/1.6mm SCGZ to 150mm ABC
CN9_T6/475	PG Clamp for 7/1.6mm SCGZ to 6/4.75 & 7/1.6 ACSR
CN9_052AWA	PG clamp copper tp Al_052AWA
CN9_TSCAC	PG Clamp for 7/1.6mm SCGZ to 3/2.75 SCAC
CN9_T70C	PG Clamp for 7/16mm SCGZ to 70mm <sup>2</sup> copper down earth
CN9_T25C	PG Clamp for 7/16mm SCGZ to 25mm <sup>2</sup> copper down earth
CN9_BAIL	PG Clamp for 7/1.6mm SCGZ to Bail clamp FC0105
CN10_7/250	Lug bi-metal M10 hole_7/2.50
CN10_7/475	Lug bi-metal M10 hole_7/4.75
CN10_19/325	Lug bi-metal M10 hole_19/3.25
CN11_7/250	Lug bi-metal M12 hole_7/2.50
CN11_7/300	Lug bi-metal M12 hole_7/3.00
CN11_7/375	Lug bi-metal M12 hole_7/3.75
CN11_7/475	Lug bi-metal M12 hole_7/4.75
CN11_19/325	Lug bi-metal M12 hole_19/3.25
CN11_95	Lug bi-metal M12 hole_95 LV ABC
CN11_150	Lug bi-metal M12 hole_150 LV ABC
CN13_7/250AA	Helical termination AAC & AAAC_7/2.50
CN13_7/475AA	Helical termination AAC & AAAC_7/4.75
CN13_19/325A	Helical termination AAC & AAAC_19/3.25
CN13_3/275GZ	Helical termination SCGZ_3/2.75
CN13_7/160GZ	Helical termination SCGZ_7/1.60
CN13_3/275AC	Helical termination SCAC_3/2.75
CN13_7/160CU	Helical termination copper_7/160
CN13_7/200CU	Helical termination copper_7/200
CN13_7/275CU	Helical termination copper_7/275
CN13_19/214CU	Helical termination copper_19/2.14
CN13_19/275CU	Helical termination copper_19/2.75
CN13_7/300AA	Helical termination AAC and AAAC_7/3.00
CN13_7/375AA	Helical termination AAC and AAAC_7/3.75
CN13_7/450AA	Helical termination AAC and AAAC_7/4.50
CN17_7/250	Full tension comp.joint AAC/AAAC_7/2.50
CN17_7/300	Full tension comp joint AAC/AAAC_7/3.00
CN17_7/375	Full tension comp joint AAC/AAAC_7/3.75
CN17_7/475	Full tension comp.joint AAC/AAAC_7/4.75
CN17_19/325	Full tension comp.joint AAC/AAAC_19/3.25
CN17_7/1.60	Helical Splices-SCGZ_7/1.60 (7/16)

CU	CU DESCRIPTION
CN17_7/12	Full tension comp joint copper_7/12
CN17_7/14	Full tension comp joint copper_7/14
CN17_7/16	Full tension comp joint copper_7/16
CN17_19/14	Full tension comp joint copper_19/14 (19/2.00)
CN17_19/16	Full tension Splice_19/16 (19/1.70)
CN17_3/275GZ	Helical Splices – 3/275 SCGZ
CN17_3/275AC	Helical Splices-3/275 SCAC
CN17_7/275GZ	Helical Splices-7/275 SCGZ
CN18_7/250AA	Armour rods AAC & AAAC_7/2.50
CN18_7/300AA	Armour rods for AA & AAA 7/3.00 & 6/1/3.00 ACSR
CN18_7/375AA	Armour rods for AAC & AAAC 7/3.75
CN18_7/475AA	Armour rods AAC & AAAC_7/4.75
CN18_19/325A	Armour rods AAC & AAAC_19/3.25
CN18_3/275GZ	Armour rods SCGZ_3/2.75
CN18_7/1.6S	Armour rods SCGZ_7/1.60
CN18_3/275AC	Armour rods SCAC_3/2.75
CN18_7/450AA	Armour rods – AA & AAAC_7/4.50
CN26_3/275	Ties HV / LV AAC & AAAC_3/2.75
CN26_7/250	Ties HV / LV AAC & AAAC_7/2.50
CN26_7/475	Ties HV / LV AAC & AAAC_7/4.75
CN26_19/325	Ties HV / LV AAC & AAAC_19/3.25
CN27_3/275	Ties steel_3/2.75
CN27_CULV	Ties LV copper
CN27_CUHV	Ties HV copper
CN30_7/250	Stirrup live line clamp_7/2.50
CN30_7/475	Stirrup live line clamp_7/4.75
CN30_19/325	Stirrup live line clamp_19/3.25
CN30_7/16	Stirrup live line clamp_7/16 SCGZ
CN30_3/275	Stirrup live line clamp_3/275 SCGZ/SCAC
CN35_10	Pole mounted LV fuse holder with 10amp fuse
CN35_32	Pole mounted LV fuse holder with 32amp fuse
CN35_50	Pole mounted LV fuse holder with 50amp fuse
CN35_60	Pole mounted LV fuse holder with 60amp fuse
CN35_80	Pole mounted LV fuse holder with 80amp fuse
CN35_100	Pole mounted LV fuse holder with 100amp fuse
CN35_Bare	Fuse on bare network
CN35_LV_ABC	Fuse on LV ABC network
CN35_Pole	Fuse on pole
CN37_3/275	Conductor SCAC 3/2.75
CN38_95	Conductor LVABC 95
CN38_150	Conductor LVABC 150
CN39_95/4M	Conductor LV ABC – 95mm <sup>2</sup> 4M 4Core tap jumper
CN39_150/4M	Conductor LV ABC – 150mm <sup>2</sup> 4M 4Core tap jumper
CN41	Cable 16 mm XLPE streetlight
CN41_TRMT	Cable 16 mm XLPE streetlight – Termite Protected (NYL)
CN42	Cable 25 mm XLPE LV
CN42_TRMT	Cable 25 mm XLPE LV - Termite Protected (NYL)

CU	CU DESCRIPTION
CN43	Cable 120 mm XLPE LV
CN43_TRMT	Cable 120 mm XLPE LV – Termite Protected (NYL)
CN45	Cable 240 mm XLPE LV
CN45_TRMT	Cable 240 mm XLPE LV – Termite Protected (DBT)
CN46	Cable 22kV Al 35mm TR-XLPE HV 3 x 1 core - Nylon
CN47	Cable 22kV Al 35 mm XLPE HV 1 core - Nylon
CN48	Cable 33kV Al 185 mm TR-XLPE HV 3 x 1 core - Nylon
CN49_22	Cable 22kV Cu 240 mm TR-XLPE HV 3 x 1 core – Double Brass Tape
CN49_33	Cable 33kV Cu 240 mm TR-XLPE HV 3 x 1 core – Double Brass Tape
CN51	Cable 33kV Al 50 mm XLPE HV 3 x 1 core - Nylon
CN52_7/475	Conductor-AAAC 7/4.75
CN52_19/3.25	Conductor-AAAC 19/3.25
CN53	Cable 22kV Al 400 mm TR-XLPE HV 3 x 1 core – Double Brass Tape
CN54	Cable protector plastic slabs 2.1m long
CN56_25	Conduit 25 dia 4m long
CN56_32	Conduit 32 dia 4m long
CN56_50	Conduit 50 dia 4m long
CN56_80	Conduit 80 dia 4m long
CN56_100	Conduit 100 dia 4m long
CN56_125	Conduit 125 dia 4m long
CN56_150	Conduit 150 dia 4m long
CN56_100_CO	Conduit 100 dia 6m long
CN56_125_CO	Conduit 125 dia 6m long
CN56_150_CO	Conduit 150 dia 6m long
CN57	Cable 33kV Al 50 mm TR-XLPE HV 1 x 1 core - Nylon
CN59_6/1/300	Conductor – AACSR 6/1/300
CN60_630AL	Conductor – 630mm AL
CN60_400CU	Conductor – 400Cu
CN61_125	Cable below warning tape 125mmx690m roll
CN64	Above Ground Cable Marker
CN65_95/35	95 ABC to 6 – 35 service
CN65_95/95	95 ABC to 6 – 95 ABC
CN65_150/35	150 ABC to 6 – 35 service
CN65_150/150	150 ABC to 95/150 service
CN68_95/35	I.P.C LVABC to 2 service_95/35
CN68_150/35	I.P.C LVABC to 2 service_150/35
CN68_150/50	I.P.C LVABC to 4 service_150/50
CN69_95	Splice LVABC to bare copper_95
CN69_150	Splice LVABC to bare copper_150
CN70_95	Splice LVABC to bare aluminium_95
CN70_150	Splice LVABC to bare aluminium_150
CN71_2/6	Conductor twisted 2 core x 6mm
CN71_3/6	Conductor twisted 3 core x 6mm
CN71_4/6	Conductor twisted 4 core x 6mm
CN71_2/16	Conductor twisted 2 core x 16mm
CN71_4/16	Conductor twisted 4 core x 16mm
CN72	Strain clamp – house service

CU	CU DESCRIPTION
CN73_35/185	End cap heat shrink 35 to 185 HV cable
CN73_240	End cap heat shrink 240-400 HV cable
CN73_LVMAIN	End cap heat shrink 120 to 240 LV cable
CN73_LV10/16	End cap push on 10/16 streetlight cable
CN73_LV25	End cap push on 25 3core screened service cable
CN74_3/275	Vibration damper for 3/2.75 (SCAC and SCGZ)
CN74_6/1/250	Vibration damper for 6/1/2.50 ACSR/AZ
CN74_6/1/275	Vibration damper for 6/1/2.75 ACSR/AZ
CN74_6/1/300	Vibration damper for 6/1/3.00 ACSR/AZ
CN74_6/475	Vibration damper for 6/4.75 – 7/1.6 ACSR/AZ
CN74_7/250	Vibration damper for 7/250 AAC/AAAC
CN74_7/375	Vibration damper for 7/375 AAC/AAAC
CN74_7/475	Vibration damper for 7/475 AAC/AAAC
CN75	Customer Service Carryover Connection
CN76_AWA	Hendrix Messenger Wire
CN76_19/275	Hendrix Messenger Wire
CN76_19/325	Hendrix Messenger Wire
CN77_22	Hendrix Covered Conductor
CN77_33	Hendrix Covered Conductor
CN78_3P	Hendrix Spacer 3 Phase
CN79_3/275	Bird Diverter for 3/2.75 (SCAC and SCGZ)
CN79_19/325	Bird Diverter for 19/3.25 (AAC/AAAC)
CN79_7/250	Bird Diverter for 7/2.50 (AAC/AAAC)
CN79_7/375	Bird Diverter for 7/3.75 (AAC/AAAC)
CN79_7/475	Bird Diverter for 7/4.75 (AAC/AAAC)
CN80_400/22	Cable Clamp for 400mm <sup>2</sup> 22kV Cable
CN80_240/22	Cable Clamp for 240mm <sup>2</sup> 22kV Cable
CN80_185/33	Cable Clamp for 185mm <sup>2</sup> 33kV Cable
CN80_240/33	Cable Clamp for 240mm <sup>2</sup> 33kV Cable
CN80_400/22S	Cable Clamp for 400mm <sup>2</sup> 22kV Cable
CN80_400/22D	Cable Clamp for 400mm <sup>2</sup> 22kV Cable
CN80_240/22S	Cable Clamp for 240mm <sup>2</sup> 22kV Cable
CN80_240/22D	Cable Clamp for 240mm <sup>2</sup> 22kV Cable
CN80_185/22S	Cable Clamp for 185mm <sup>2</sup> 22kV Cable
CN80_185/22D	Cable Clamp for 185mm <sup>2</sup> 22kV Cable
CN80_240/33S	Cable Clamp for 240mm <sup>2</sup> 33kV Cable
CN80_240/33D	Cable Clamp for 240mm <sup>2</sup> 33kV Cable
CN81	Conduit Sealing up to 160mm



				COMPATIBLE UNIT			DISTRIBUTION DESIGN CATALOGUE				
				TITLE			DRAWN: JRR		DATE: 27-03-2016		DRG. No.
				TERMINATION - AAC/AAAC/SCAC CONDUCTOR			ORIGINATED:		SCALE: NTS		CN01
							CHECKED: REE		APPROVED: GRANT STACY		REV. C
C	20.05.13	ORIGINAL ISSUE									
REV	DATE	DESCRIPTION	ORGO	CHKD	APRO						



<b>CU</b>	<b>CU Description</b>
-----------	-----------------------

CN1_7/250 Termination – AAC & AAAC_ 7/2.50					
ITEM NUMBER	STOCK CODE	DESCRIPTION	QTY RQD	UNIT OF MEASURE	REMARKS
1	CF0752	helical grip	1	ea	
2	CT0011	clevis thimble	1	ea	

CN1_7/300 Termination – AAC & AAAC_ 7/3.00					
ITEM NUMBER	STOCK CODE	DESCRIPTION	QTY RQD	UNIT OF MEASURE	REMARKS
1	CF0520	helical grip	1	ea	
2	CT0011	clevis thimble	1	ea	

CN1_7/375 Termination – AAC & AAAC_ 7/3.75					
ITEM NUMBER	STOCK CODE	DESCRIPTION	QTY RQD	UNIT OF MEASURE	REMARKS
1	CF0522	helical grip	1	ea	
2	CT0011	clevis thimble	1	ea	

CN1_7/450 Termination – AAC & AAAC_ 7/4.50					
ITEM NUMBER	STOCK CODE	DESCRIPTION	QTY RQD	UNIT OF MEASURE	REMARKS
1	CF0524	helical grip	1	ea	
2	CT0011	clevis thimble	1	ea	

CN1_7/475 Termination – AAC & AAAC_ 7/4.75					
ITEM NUMBER	STOCK CODE	DESCRIPTION	QTY RQD	UNIT OF MEASURE	REMARKS
1	CF0757	helical grip	1	ea	
2	CT0011	clevis thimble	1	ea	

CN1_19/325 Termination – AAC & AAAC_ 19/3.25					
ITEM NUMBER	STOCK CODE	DESCRIPTION	QTY RQD	UNIT OF MEASURE	REMARKS
1	CF0758	helical grip	1	ea	
2	CT0011	clevis thimble	1	ea	

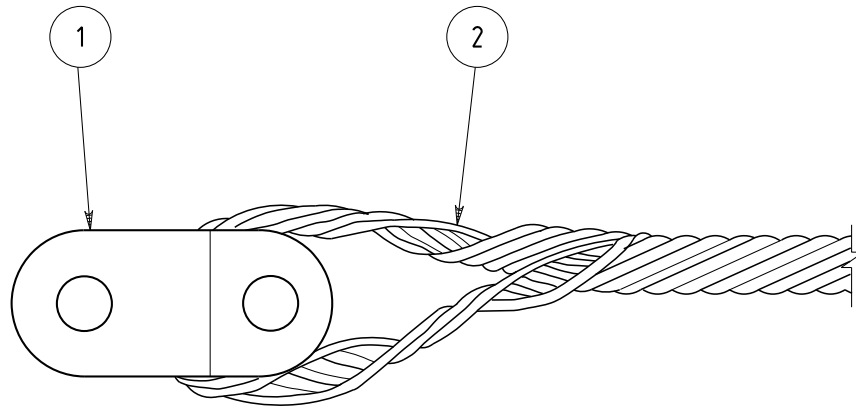
<b>CU</b>	<b>CU Description</b>
-----------	-----------------------

CN1_6/1/250		Termination – ACSR_6/1/2.50			
ITEM NUMBER	STOCK CODE	DESCRIPTION	QTY RQD	UNIT OF MEASURE	REMARKS
1	CF0610	helical grip	1	ea	
2	CT0011	clevis thimble	1	ea	

CN1_6/1/300		Termination – ACSR & AACSR_6/1/3.00			
ITEM NUMBER	STOCK CODE	DESCRIPTION	QTY RQD	UNIT OF MEASURE	REMARKS
1	CF0611	helical grip	1	ea	
2	CT0011	clevis thimble	1	ea	

CN1_6/475		Termination – ACSR_6/4.75 & 7/1.60			
ITEM NUMBER	STOCK CODE	DESCRIPTION	QTY RQD	UNIT OF MEASURE	REMARKS
1	CF0612	helical grip	1	ea	
2	CT0011	clevis thimble	1	ea	

CN1_SCAC		Termination – SCAC_3/2.75 (3/12)			
ITEM NUMBER	STOCK CODE	DESCRIPTION	QTY RQD	UNIT OF MEASURE	REMARKS
1	CF0700	helical grip	1	ea	
2	CT0011	clevis thimble	1	ea	

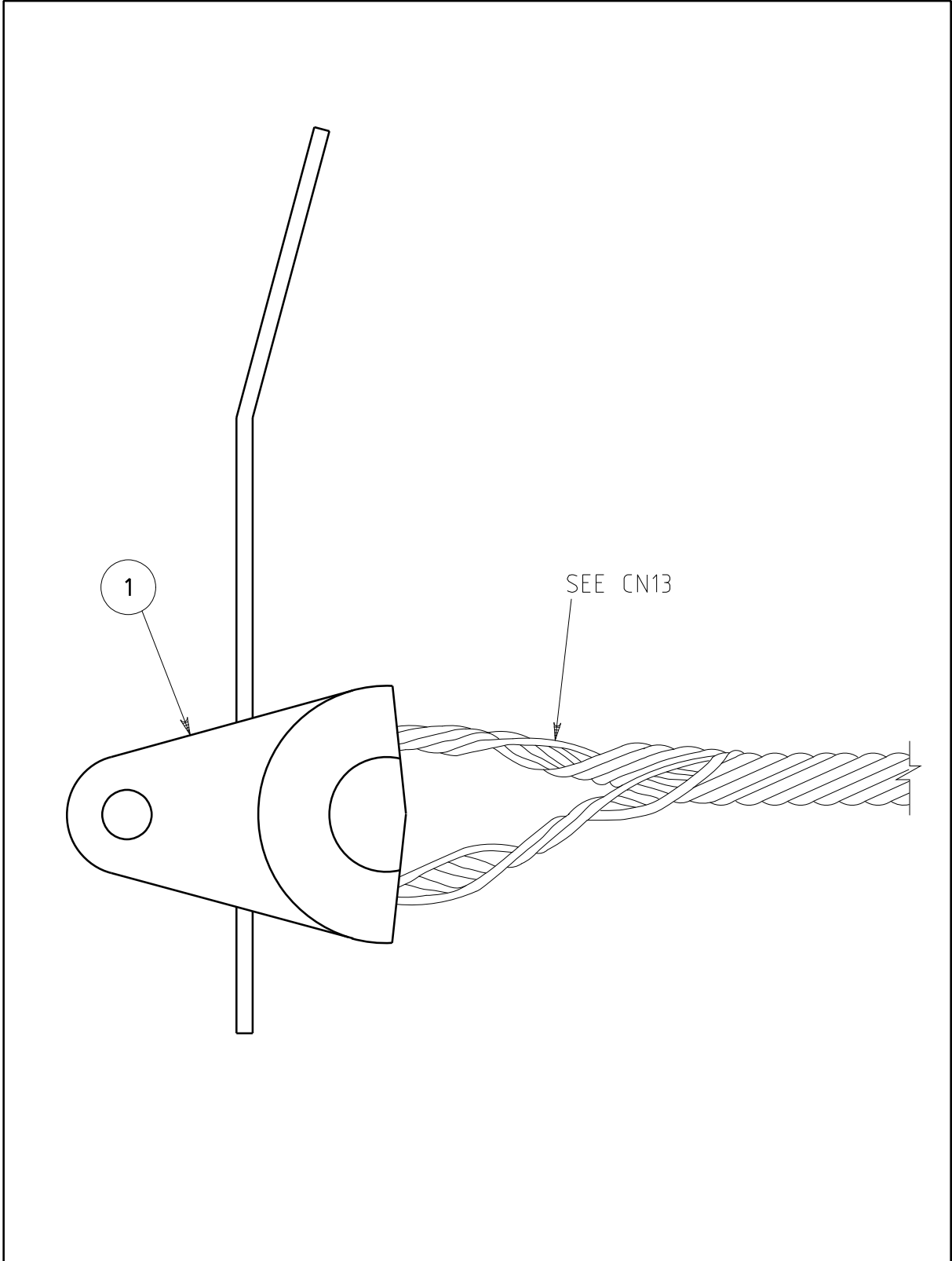


				COMPATIBLE UNIT			DISTRIBUTION DESIGN CATALOGUE					
				TITLE			DRAWN: JRR		DATE: 27-03-2014		DRG. No.	
				TERMINATION - SCGZ & COPPER CONDUCTORS			ORIGINATED:		SCALE: NTS		CN04	
							CHECKED: REE		APPROVED:		REV. C	
							GRANT STACY					
R. No.	DATE	DESCRIPTION	ORGD.	CHEG.	APRD.							
C	14.01.15	FORMAT CHANGED		REE	REE	GS						
B	20.05.13	ORIGINAL ISSUE										

CU		CU Description			
CN4_3/275 Termination-SCGZ_3/2.75					
ITEM NUMBER	STOCK CODE	DESCRIPTION	QTY RQD	UNIT OF MEASURE	REMARKS
1	CT0037	clevis thimble	1	ea	
2	CF0661	helical termination	1	ea	
CN4_7/160 Termination-SCGZ_7/1.60					
ITEM NUMBER	STOCK CODE	DESCRIPTION	QTY RQD	UNIT OF MEASURE	REMARKS
1	CT0037	clevis thimble	1	ea	
2	CF0669	helical termination	1	ea	
CN4_7/200 Termination-SCGZ 7/2.00					
ITEM NUMBER	STOCK CODE	DESCRIPTION	QTY RQD	UNIT OF MEASURE	REMARKS
1	CT0037	clevis thimble	1	ea	
2	CF0553	helical termination	1	ea	
CN4_CU7/16 Termination-CU 7/16_7/160					
ITEM NUMBER	STOCK CODE	DESCRIPTION	QTY RQD	UNIT OF MEASURE	REMARKS
1	CT0037	clevis thimble	1	ea	
2	CF0551	helical termination	1	ea	
CN4_CU7/14 Termination-CU 7/14_7/200					
ITEM NUMBER	STOCK CODE	DESCRIPTION	QTY RQD	UNIT OF MEASURE	REMARKS
1	CT0037	clevis thimble	1	ea	
2	CF0553	helical termination	1	ea	
CN4_CU7/12 Termination-CU 7/12_7/275 (19/16)					
ITEM NUMBER	STOCK CODE	DESCRIPTION	QTY RQD	UNIT OF MEASURE	REMARKS
1	CT0037	clevis thimble	1	ea	
2	CF0554	helical termination	1	ea	
CN4_CU19/14 Termination-CU 19/14_19/214					
ITEM NUMBER	STOCK CODE	DESCRIPTION	QTY RQD	UNIT OF MEASURE	REMARKS
1	CT0037	clevis thimble	1	ea	
2	CF0566	helical termination	1	ea	

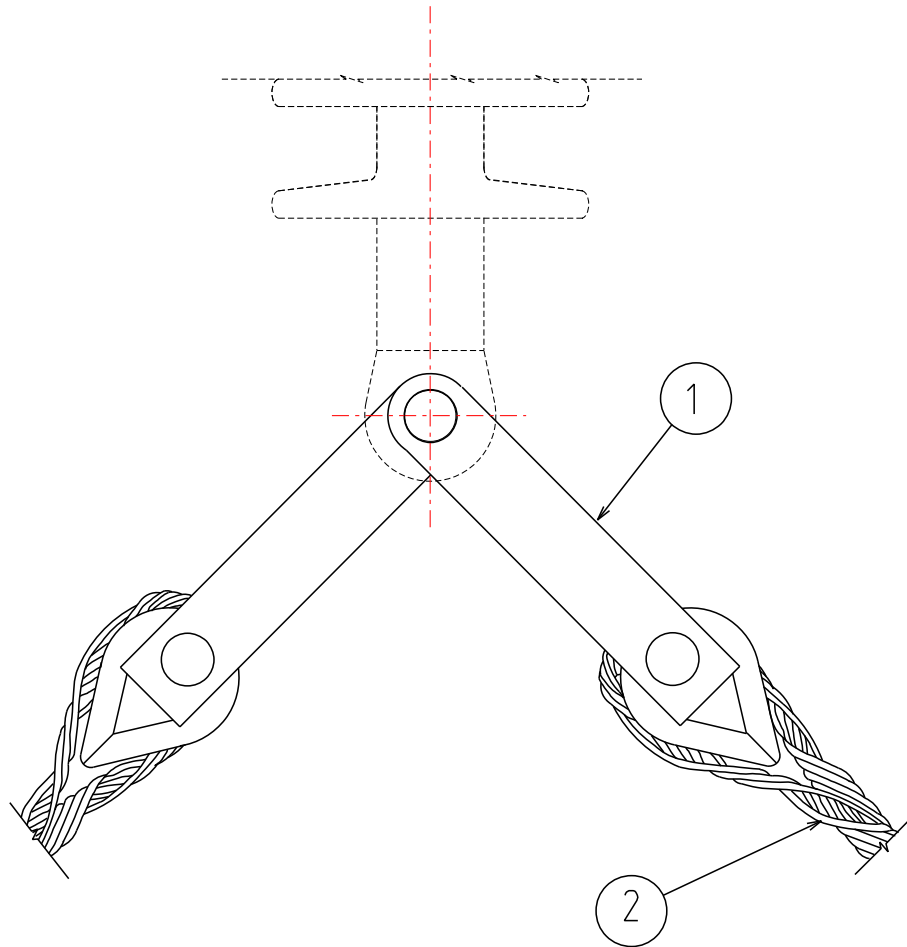
<b>CU</b>	<b>CU Description</b>
-----------	-----------------------

CN4_CU19/275		Termination-CU 19/275			
ITEM NUMBER	STOCK CODE	DESCRIPTION	QTY RQD	UNIT OF MEASURE	REMARKS
1	CT0037	clevis thimble	1	ea	
2	CF0540	helical termination	1	ea	



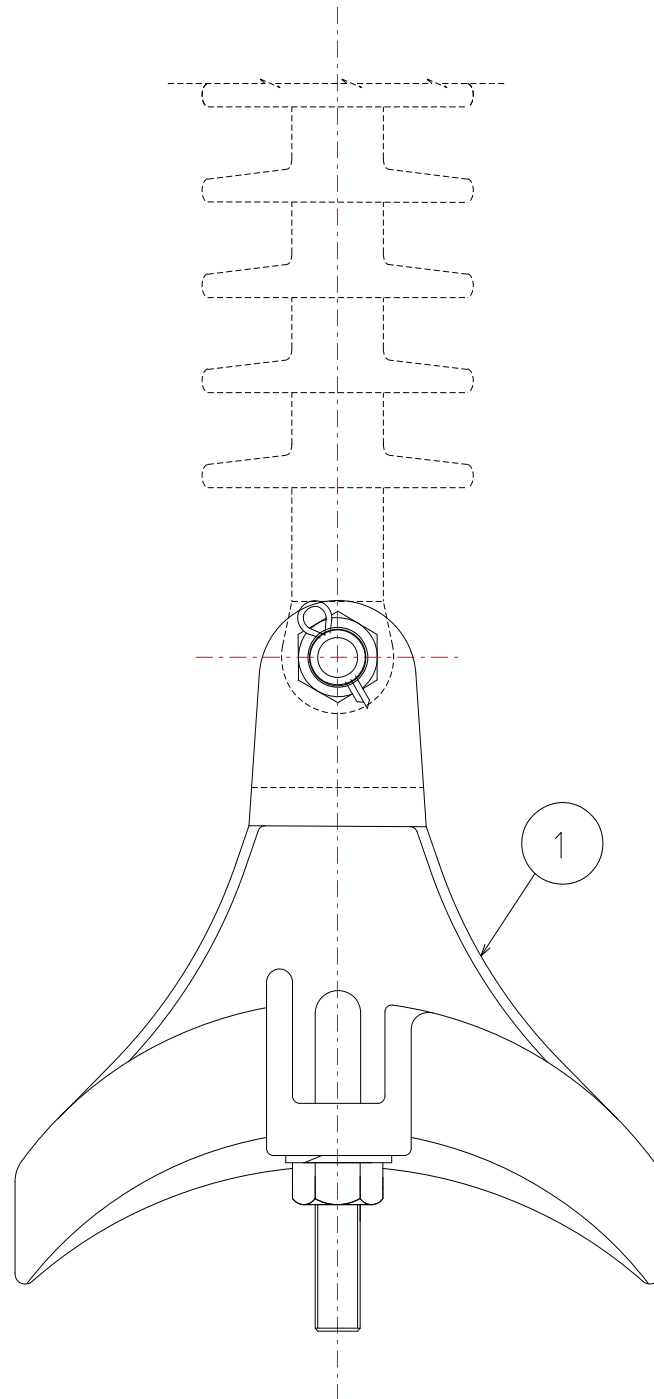
				COMPATIBLE UNIT		DISTRIBUTION DESIGN CATALOGUE			
				TITLE		DRAWN: JRR		DATE: 27-03-2016	
				CLEVIS TERMINATION FOR POLE TOP SWITCH - SCGZ & CU CONDUCTOR		ORIGINATED: REE		SCALE: NTS	
						CHECKED: REE		DRG. No. CN05	
						APPROVED: GRANT STACY		REV. A	
REV	DATE	DESCRIPTION	ORGD	CHKD	APRD				
A	18.04.13	ORIGINAL ISSUE							

CU		CU Description			
CN5 Termination-SCGZ and CU Conductor					
ITEM NUMBER	STOCK CODE	DESCRIPTION	QTY RQD	UNIT OF MEASURE	REMARKS
1	CT0021	clevis thimble	1	ea	



				COMPATIBLE UNIT			DISTRIBUTION DESIGN CATALOGUE			
				TITLE			DRAWN: JRR		DATE: 27-03-2014	
				ANGLE ASSEMBLY			ORIGINATED:		SCALE: NTS	
				SC/GZ, SC/AC AND			CHECKED: REE		DRG. No. CN06	
				COPPER CONDUCTOR			APPROVED: GRANT STACY		REV. D	
D	27.07.15	FORMAT AND TITLE CHANGED		REE	REE	GS				
C	31.07.13	ORIGINAL ISSUE								
REV	DATE	DESCRIPTION		ORGO	CHKD	APRD				

CU		CU Description			
CN6_3/2.75 Angle assembly – SCGZ_ 3/2.75					
ITEM NUMBER	STOCK CODE	DESCRIPTION	QTY RQD	UNIT OF MEASURE	REMARKS
1	CA0055	mounting bracket	1	ea	
2	CF0661	helical termination	2	ea	
CN6_7/160 Angle assembly – SCGZ_ 7/1.60					
ITEM NUMBER	STOCK CODE	DESCRIPTION	QTY RQD	UNIT OF MEASURE	REMARKS
1	CA0055	mounting bracket	1	ea	
2	CF0669	Grip,cable term.	2	ea	
CN6_3/2.75AC Angle assembly – SCAC_ 3/2.75					
ITEM NUMBER	STOCK CODE	DESCRIPTION	QTY RQD	UNIT OF MEASURE	REMARKS
1	CA0055	mounting bracket	1	ea	
2	CF0700	Grip,cable term.	2	ea	
CN6_CU7/16 Angle assembly – CU 7/16_7/160					
ITEM NUMBER	STOCK CODE	DESCRIPTION	QTY RQD	UNIT OF MEASURE	REMARKS
1	CA0055	mounting bracket	1	ea	
2	CF0551	helical termination	2	ea	
CN6_CU7/14 Angle assembly – CU 7/14_7/200					
ITEM NUMBER	STOCK CODE	DESCRIPTION	QTY RQD	UNIT OF MEASURE	REMARKS
1	CA0055	mounting bracket	1	ea	
2	CF0553	helical termination	2	ea	
CN6_CU7/12 Angle assembly – CU 7/12_7/275 (19/16)					
ITEM NUMBER	STOCK CODE	DESCRIPTION	QTY RQD	UNIT OF MEASURE	REMARKS
1	CA0055	mounting bracket	1	ea	
2	CF0554	helical termination	2	ea	
CN6_CU19/14 Angle assembly – CU 19/14_19/214					
ITEM NUMBER	STOCK CODE	DESCRIPTION	QTY RQD	UNIT OF MEASURE	REMARKS
1	CA0055	mounting bracket	1	ea	
2	CF0566	helical termination	2	ea	



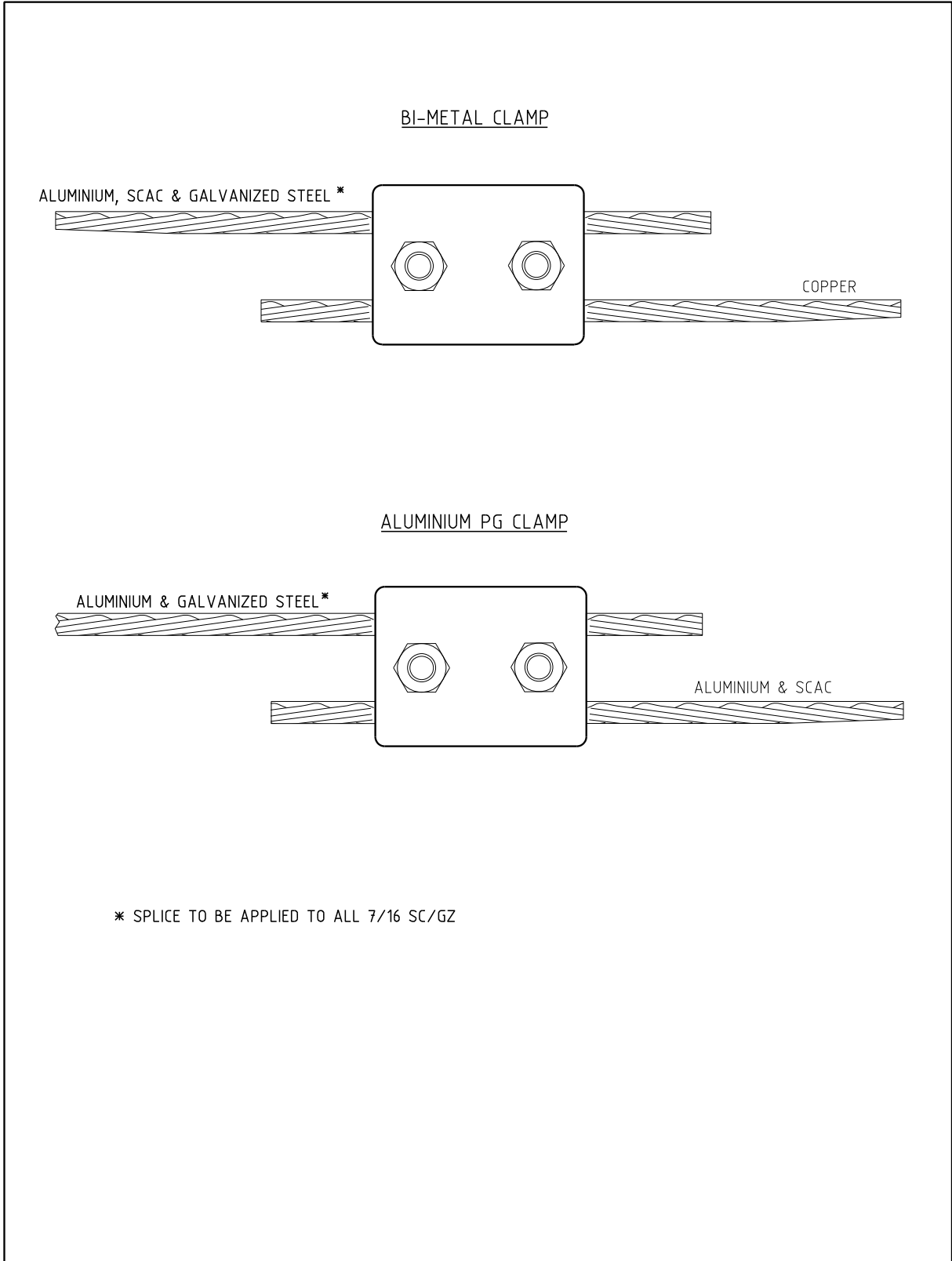
				COMPATIBLE UNIT		DISTRIBUTION DESIGN CATALOGUE			
				TITLE		DRAWN: JRR		DATE: 27-03-2016	
				ANGLE CLAMP		ORIGINATED:		SCALE: NTS	
				AAC & AAC CONDUCTOR		CHECKED: REE		DRG. No. CN08	
						APPROVED:		REV. B	
						GRANT STACY			
REV	DATE	DESCRIPTION	ORGD	CHKD	APRD				
A	01.08.13	ORIGINAL ISSUE							

<b>CU</b>	<b>CU Description</b>
-----------	-----------------------

CN8_7/250      Angle clamp – AAC & AAAC_ 7/2.50					
ITEM NUMBER	STOCK CODE	DESCRIPTION	QTY RQD	UNIT OF MEASURE	REMARKS
1	CC0167	Angle clamp	1	ea	

CN8_7/475      Angle clamp – AAC & AAAC_ 7/4.75					
ITEM NUMBER	STOCK CODE	DESCRIPTION	QTY RQD	UNIT OF MEASURE	REMARKS
1	CC0166	Angle clamp	1	ea	

CN8_19/325      Angle clamp – AAC & AAAC_ 19/3.25					
ITEM NUMBER	STOCK CODE	DESCRIPTION	QTY RQD	UNIT OF MEASURE	REMARKS
1	CC0166	Angle clamp	1	ea	



\* SPLICE TO BE APPLIED TO ALL 7/16 SC/GZ

				COMPATIBLE UNIT			DISTRIBUTION DESIGN CATALOGUE			
				TITLE			DRAWN: JRR      DATE: 27-03-2014		DRG. No.	
				PARALLEL GROOVE CLAMP			ORIGINATED:      SCALE: NTS		CN09	
							CHECKED: REE		REV.      SHY.	
							APPROVED: GRANT STACY		REV.      SHY.	
REV	DATE	DESCRIPTION	ORGD	CHKD	APRD					

CU		CU Description			
CN9_7/250AA		PG clamp aluminium to aluminium_7/2.50			
ITEM NUMBER	STOCK CODE	DESCRIPTION	QTY RQD	UNIT OF MEASURE	REMARKS
1	CC0138	Parallel groove clamp	1	ea	
CN9_3/275A		PG clamp 3/275 SCGZ /AC to 3/275 SCGZ /AC			
ITEM NUMBER	STOCK CODE	DESCRIPTION	QTY RQD	UNIT OF MEASURE	REMARKS
1	CC0224	Parallel groove clamp	1	ea	
CN9_7/475AA		PG clamp aluminium to aluminium_7/4.75			
ITEM NUMBER	STOCK CODE	DESCRIPTION	QTY RQD	UNIT OF MEASURE	REMARKS
1	CC0138	Parallel groove clamp	1	ea	
CN9_19/325AA		PG clamp aluminium to aluminium_19/3.25			
ITEM NUMBER	STOCK CODE	DESCRIPTION	QTY RQD	UNIT OF MEASURE	REMARKS
1	CC0138	Parallel groove clamp	1	ea	
CN9_3/275AC		PG clamp aluminium to copper_3/2.75			
ITEM NUMBER	STOCK CODE	DESCRIPTION	QTY RQD	UNIT OF MEASURE	REMARKS
1	CC0125	Bi metal parallel groove clamp	1	ea	
CN9_7/250AC		PG clamp aluminium to copper_7/2.50			
ITEM NUMBER	STOCK CODE	DESCRIPTION	QTY RQD	UNIT OF MEASURE	REMARKS
1	CC0125	Bi metal parallel groove clamp	1	ea	
CN9_7/475AC		PG clamp aluminium to copper_7/4.75			
ITEM NUMBER	STOCK CODE	DESCRIPTION	QTY RQD	UNIT OF MEASURE	REMARKS
1	CC0120	Bi metal parallel groove clamp	1	ea	
CN9_19/325AC		PG clamp aluminium to copper_19/3.25			
ITEM NUMBER	STOCK CODE	DESCRIPTION	QTY RQD	UNIT OF MEASURE	REMARKS
1	CC0120	Bi metal parallel groove clamp	1	ea	

<b>CU</b>	<b>CU Description</b>
-----------	-----------------------

CN9_CU PG clamp copper to copper 250 amp max					
ITEM NUMBER	STOCK CODE	DESCRIPTION	QTY RQD	UNIT OF MEASURE	REMARKS
1	CC0130	parallel groove clamp	1	ea	

CN9_CU250 PG clamp copper to copper >250 amp					
ITEM NUMBER	STOCK CODE	DESCRIPTION	QTY RQD	UNIT OF MEASURE	REMARKS
1	CC0511	parallel groove clamp	1	ea	

CN9_T7/250 PG clamp 7/1.6 SCGZ to 7/2.5 AC					
ITEM NUMBER	STOCK CODE	DESCRIPTION	QTY RQD	UNIT OF MEASURE	REMARKS
1	CF0479	Helical Splice	1	ea	
2	CC0138	PG Clamp	1	ea	

CN9_T7/300 PG clamp 7/1.6 SCGZ to 7/3.0 AC					
ITEM NUMBER	STOCK CODE	DESCRIPTION	QTY RQD	UNIT OF MEASURE	REMARKS
1	CF0479	Helical Splice	1	ea	
2	CC0138	PG Clamp	1	ea	

CN9_T6/1/25 PG clamp 7/16 SCGZ to 6/1/2.5 ACSR					
ITEM NUMBER	STOCK CODE	DESCRIPTION	QTY RQD	UNIT OF MEASURE	REMARKS
1	CF0479	Helical Splice	1	ea	
2	CC0138	PG Clamp			

CN9_T6/1/275 PG clamp 7/16 SCGZ to 6/1/2.75 ACSR					
ITEM NUMBER	STOCK CODE	DESCRIPTION	QTY RQD	UNIT OF MEASURE	REMARKS
1	CF0479	Helical Splice	1	ea	
2	CC0138	PG Clamp	1	ea	

CN9_T6/1/300 PG clamp 7/16 SCGZ to 6/1/3.0 ACSR					
ITEM NUMBER	STOCK CODE	DESCRIPTION	QTY RQD	UNIT OF MEASURE	REMARKS
1	CF0479	Helical Splice	1	ea	
2	CC0138	PG Clamp	1	ea	

CU		CU Description			
CN9_T19/1.6C		PG clamp 7/16 SCGZ to 19/1.63 HD BC			
ITEM NUMBER	STOCK CODE	DESCRIPTION	QTY RQD	UNIT OF MEASURE	REMARKS
1	CF0479	Helical Splice	1	ea	
2	CC0125	Bimetal PG Clamp	1	ea	
CN9_T7/3.75A		PG clamp 7/1.6 SCGZ to 7/3.75AC			
ITEM NUMBER	STOCK CODE	DESCRIPTION	QTY RQD	UNIT OF MEASURE	REMARKS
1	CF0479	Helical Splice	1	ea	
2	CC0138	PG Clamp	1	ea	
CN9_T95ABC		PG clamp 7/1.6 SCGZ to 95mm ABC			
ITEM NUMBER	STOCK CODE	DESCRIPTION	QTY RQD	UNIT OF MEASURE	REMARKS
1	CF0479	Helical Splice	1	ea	
2	CC0138	PG Clamp	1	ea	
CN9_T7/14C		PG clamp 7/1.6 SCGZ to 7/14 HD BC			
ITEM NUMBER	STOCK CODE	DESCRIPTION	QTY RQD	UNIT OF MEASURE	REMARKS
1	CF0479	Helical Splice	1	ea	
2	CC0125	Bimetal PG Clamp	1	ea	
CN9_T7/2.0C		PG clamp 7/1.6 SCGZ to 7/2.0 HD BC			
ITEM NUMBER	STOCK CODE	DESCRIPTION	QTY RQD	UNIT OF MEASURE	REMARKS
1	CF0479	Helical Splice	1	ea	
2	CC0125	Bimetal PG Clamp	1	ea	
CN9_T19/14C		PG clamp 7/1.6 SCGZ to 19/14 HD BC			
ITEM NUMBER	STOCK CODE	DESCRIPTION	QTY RQD	UNIT OF MEASURE	REMARKS
1	CF0479	Helical Splice	1	ea	
2	CC0125	Bimetal PG Clamp	1	ea	

CU		CU Description			
CN9_T19/200C PG clamp 7/1.6 SCGZ to 19/2.0 HDDB					
ITEM NUMBER	STOCK CODE	DESCRIPTION	QTY RQD	UNIT OF MEASURE	REMARKS
1	CF0479	Helical Splice	1	ea	
2	CC0125	Bimetal PG Clamp	1	ea	
CN9_T7/4.5AC PG clamp 7/1.6 SCGZ to 7/4.5 AC					
ITEM NUMBER	STOCK CODE	DESCRIPTION	QTY RQD	UNIT OF MEASURE	REMARKS
1	CF0479	Helical Splice	1	ea	
2	CC0138	PG Clamp	1	ea	
CN9_T7/1.6C PG clamp 7/1.6 SCGZ to 7/1.6 HDDB					
ITEM NUMBER	STOCK CODE	DESCRIPTION	QTY RQD	UNIT OF MEASURE	REMARKS
1	CF0479	Helical Splice	1	ea	
2	CC0125	Bimetal PG Clamp	1	ea	
CN9_T7/1.75C PG clamp 7/1.6 SCGZ to 7/1.75 HDDB					
ITEM NUMBER	STOCK CODE	DESCRIPTION	QTY RQD	UNIT OF MEASURE	REMARKS
1	CF0479	Helical Splice	1	ea	
2	CC0125	Bimetal PG Clamp	1	ea	
CN9_T7/4.75 PG clamp 7/1.6 SCGZ to 7/4.75 AC					
ITEM NUMBER	STOCK CODE	DESCRIPTION	QTY RQD	UNIT OF MEASURE	REMARKS
1	CF0479	Helical Splice	1	ea	
2	CC0138	PG Clamp	1	ea	
CN9_T19/3.25 PG clamp 7/1.6 SCGZ to 19/3.25 AC					
ITEM NUMBER	STOCK CODE	DESCRIPTION	QTY RQD	UNIT OF MEASURE	REMARKS
1	CF0479	Helical Splice	1	ea	
2	CC0138	PG Clamp	1	ea	

CU		CU Description			
CN9_T150ABC PG clamp 7/1.6 SCGZ to 150mm ABC					
ITEM NUMBER	STOCK CODE	DESCRIPTION	QTY RQD	UNIT OF MEASURE	REMARKS
1	CF0479	Helical Splice	1	ea	
2	CC0138	PG Clamp	1	ea	

CN9_T6/475		PG clamp 7/1.6 SCGZ to 6/4.75&7/1.6 ACSR			
ITEM NUMBER	STOCK CODE	DESCRIPTION	QTY RQD	UNIT OF MEASURE	REMARKS
1	CF0479	Helical Splice	1	ea	
2	CC0138	PG Clamp	1	ea	

CN9_052AWA		PG CLAMP COPPER TP AL_052AWA			
ITEM NUMBER	STOCK CODE	DESCRIPTION	QTY RQD	UNIT OF MEASURE	REMARKS
1	CC0125	Bi metal parallel groove clamp	1	ea	

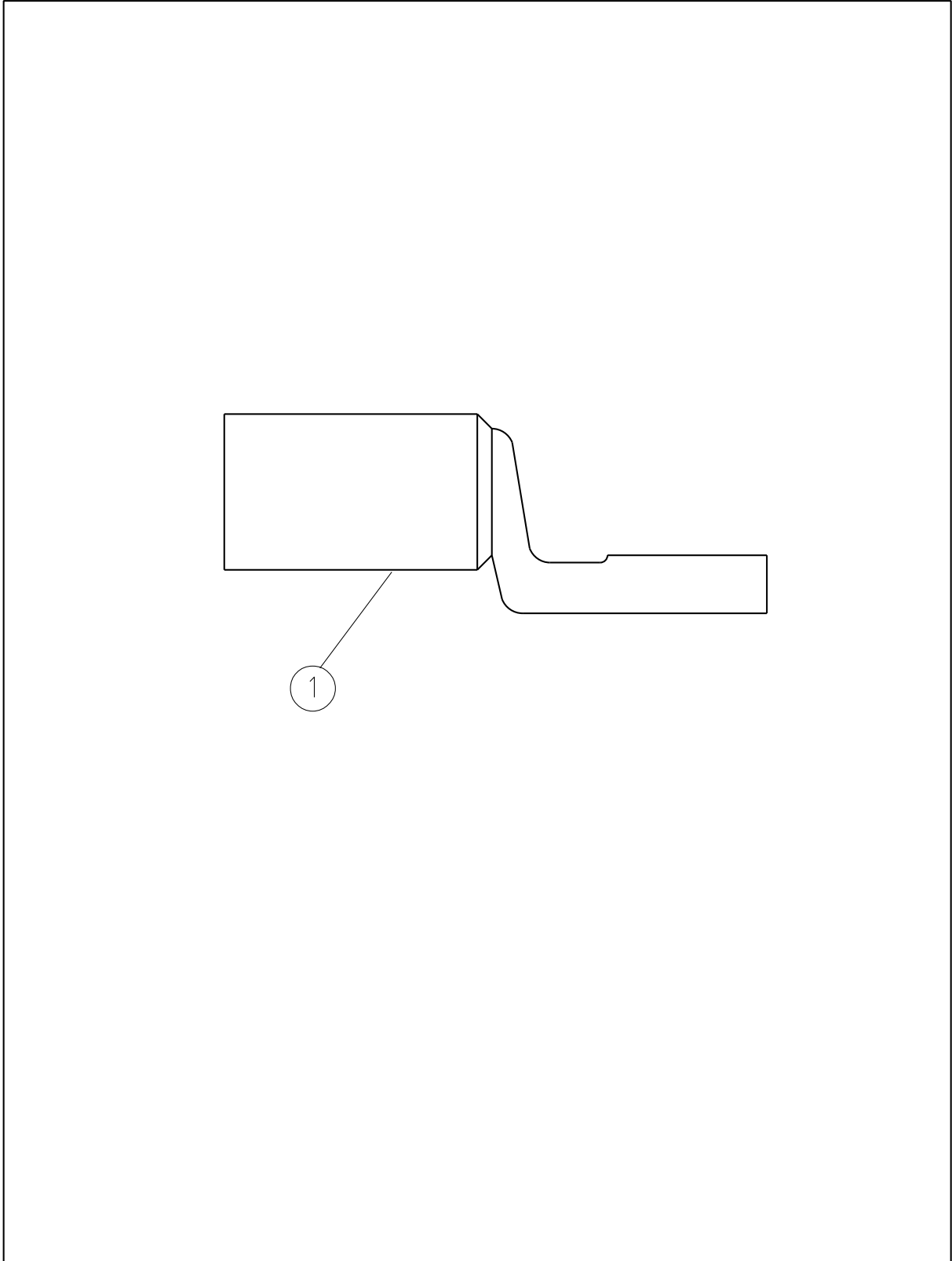
CN9_TSCAC		PG clamp 7/1.6 SCGZ to 3/2.75 SCAC			
ITEM NUMBER	STOCK CODE	DESCRIPTION	QTY RQD	UNIT OF MEASURE	REMARKS
1	CF0479	Helical Splice	1	ea	
2	CC0138	PG Clamp	1	ea	

CN9_T70C		PG clamp 7/1.6 SCGZ to 70mm <sup>2</sup> copper down earth			
ITEM NUMBER	STOCK CODE	DESCRIPTION	QTY RQD	UNIT OF MEASURE	REMARKS
1	CF0479	Helical Splice	1	ea	
2	CC0125	Bimetal PG Clamp	1	ea	

CN9_T25C		PG clamp 7/1.6 SCGZ to 25mm <sup>2</sup> copper down earth			
ITEM NUMBER	STOCK CODE	DESCRIPTION	QTY RQD	UNIT OF MEASURE	REMARKS
1	CF0479	Helical Splice	1	ea	
2	CC0125	Bimetal PG Clamp	1	ea	

<b>CU</b>	<b>CU Description</b>
-----------	-----------------------

CN9_BAIL		PG clamp 7/16 SCGZ to Bail clamp FC0105			
ITEM NUMBER	STOCK CODE	DESCRIPTION	QTY RQD	UNIT OF MEASURE	REMARKS
1	CF0479	Helical Splice	1	ea	
2	CC0224	PG Clamp	2	ea	



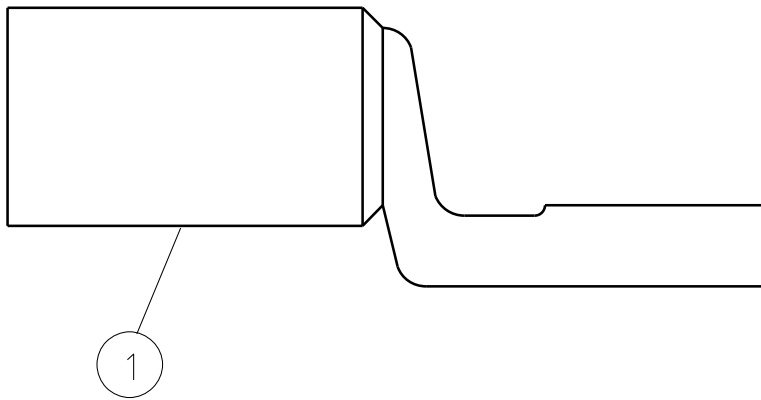
				COMPATIBLE UNIT			DISTRIBUTION DESIGN CATALOGUE			
				TITLE			DRAWN: JRR		DATE: 27-03-2016	
				LUG BI-METAL, M10 HOLE			ORIGINATED:		SCALE: NTS	
							CHECKED: REE		DRG. No. CN10	
							APPROVED: GRANT STACY		REV. B	
B	21.01.99	ORIGINAL ISSUE								
REV	DATE	DESCRIPTION	ORGO	CHKD	APRD					

<b>CU</b>	<b>CU Description</b>
-----------	-----------------------

CN10_7/250 Lug bi-metal M10 hole_7/2.50					
ITEM NUMBER	STOCK CODE	DESCRIPTION	QTY RQD	UNIT OF MEASURE	REMARKS
1	FL7681	Bi metal lug	1	ea	

CN10_7/475 Lug bi-metal M10 hole_7/4.75					
ITEM NUMBER	STOCK CODE	DESCRIPTION	QTY RQD	UNIT OF MEASURE	REMARKS
1	FL7684	Bi metal lug	1	ea	

CN10_19/325 Lug bi-metal M10 hole_19/3.25					
ITEM NUMBER	STOCK CODE	DESCRIPTION	QTY RQD	UNIT OF MEASURE	REMARKS
1	FL7685	Bi metal lug	1	ea	



				COMPATIBLE UNIT			DISTRIBUTION DESIGN CATALOGUE				
				TITLE			DRAWN: JRR		DATE: 10-04-2011		DRG. No.
				LUG BI-METAL, M12 HOLE			ORIGINATED:		SCALE: NTS		CN11
							CHECKED: REE		APPROVED: GRANT STACY		REV. B
B	21.01.99	ORIGINAL ISSUE									
REV	DATE	DESCRIPTION		ORGD	CHKD	APRD					

<b>CU</b>	<b>CU Description</b>
-----------	-----------------------

CN11_7/250 Lug bi-metal M12 hole_ 7/2.50					
ITEM NUMBER	STOCK CODE	DESCRIPTION	QTY RQD	UNIT OF MEASURE	REMARKS
1	FL7686	Bi metal lug	1	ea	

CN11_7/300 Lug bi-metal M12 hole_ 7/3.00					
ITEM NUMBER	STOCK CODE	DESCRIPTION	QTY RQD	UNIT OF MEASURE	REMARKS
1	FL7687	Bi metal lug	1	ea	

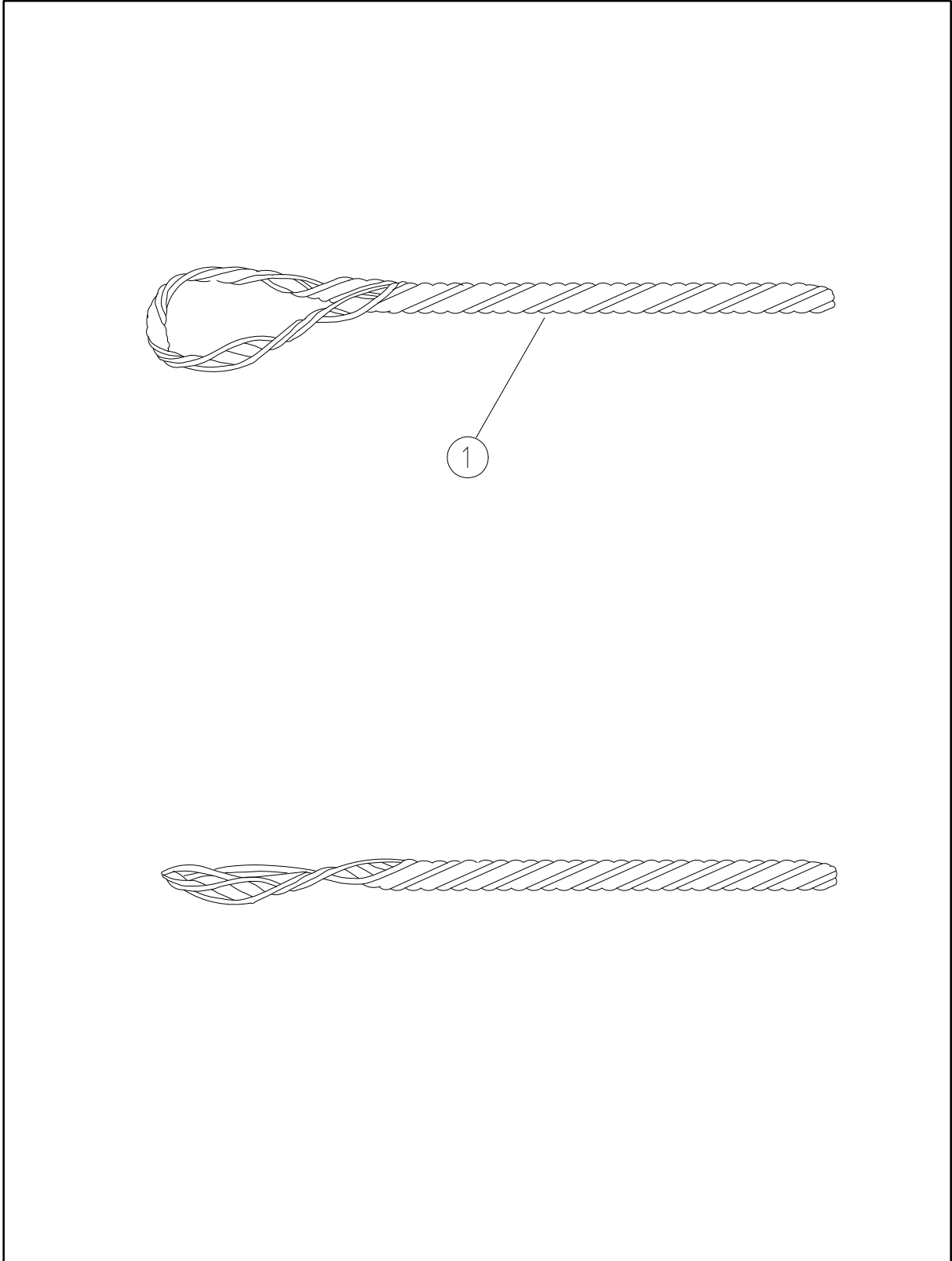
CN11_7/375 Lug bi-metal M12 hole_ 7/3.75					
ITEM NUMBER	STOCK CODE	DESCRIPTION	QTY RQD	UNIT OF MEASURE	REMARKS
1	FL7688	Bi metal lug	1	ea	

CN11_7/475 Lug bi-metal M12 hole_ 7/4.75					
ITEM NUMBER	STOCK CODE	DESCRIPTION	QTY RQD	UNIT OF MEASURE	REMARKS
1	FL7689	Bi metal lug	1	ea	

CN11_19/325 Lug bi-metal M12 hole_ 19/3.25					
ITEM NUMBER	STOCK CODE	DESCRIPTION	QTY RQD	UNIT OF MEASURE	REMARKS
1	FL7690	Bi metal lug	1	ea	

CN11_95 Lug bi-metal M12 hole_ 95LV ABC					
ITEM NUMBER	STOCK CODE	DESCRIPTION	QTY RQD	UNIT OF MEASURE	REMARKS
1	FL0401	Bi metal lug	1	ea	

CN11_150 Lug bi-metal M12 hole_ 150 LV ABC					
ITEM NUMBER	STOCK CODE	DESCRIPTION	QTY RQD	UNIT OF MEASURE	REMARKS
1	FL0402	Bi metal lug	1	ea	



				COMPATIBLE UNIT			DISTRIBUTION DESIGN CATALOGUE			
				TITLE			DRAWN: JRR		DATE: 27-03-2016	
				HELICAL TERMINATION			ORIGINATED:		SCALE: NTS	
							CHECKED: REE		DRG. No. CN13	
							APPROVED: GRANT STACY		REV. B	
REV	DATE	DESCRIPTION	ORGO	CHKD	APRO					
A	21.01.99	ORIGINAL ISSUE								

CU		CU Description			
CN13_7/250AA		Helical termination AAC & AAAC_ 7/2.50			
ITEM NUMBER	STOCK CODE	DESCRIPTION	QTY RQD	UNIT OF MEASURE	REMARKS
1	CF0752	helical termination	1	ea	
CN13_7/475AA		Helical termination AAC & AAAC_ 7/4.75			
ITEM NUMBER	STOCK CODE	DESCRIPTION	QTY RQD	UNIT OF MEASURE	REMARKS
1	CF0757	helical termination	1	ea	
CN13_19/325A		Helical termination AAC & AAAC_19/3.25			
ITEM NUMBER	STOCK CODE	DESCRIPTION	QTY RQD	UNIT OF MEASURE	REMARKS
1	CF0758	helical termination	1	ea	
CN13_3/275GZ		Helical termination SCGZ_3/2.75			
ITEM NUMBER	STOCK CODE	DESCRIPTION	QTY RQD	UNIT OF MEASURE	REMARKS
1	CF0661	helical termination	1	ea	
CN13_7/160GZ		Helical termination SCGZ_7/1.60			
ITEM NUMBER	STOCK CODE	DESCRIPTION	QTY RQD	UNIT OF MEASURE	REMARKS
1	CF0669	helical termination	1	ea	
CN13_3/275AC		Helical termination SCAC_ 3/2.75			
ITEM NUMBER	STOCK CODE	DESCRIPTION	QTY RQD	UNIT OF MEASURE	REMARKS
1	CF0700	helical termination	1	ea	
CN13_7/160CU		Helical termination copper_7/160			
ITEM NUMBER	STOCK CODE	DESCRIPTION	QTY RQD	UNIT OF MEASURE	REMARKS
1	CF0551	helical termination	1	ea	
CN13_7/200CU		Helical termination copper_7/200			
ITEM NUMBER	STOCK CODE	DESCRIPTION	QTY RQD	UNIT OF MEASURE	REMARKS
1	CF0553	helical termination	1	ea	

<b>CU</b>	<b>CU Description</b>
-----------	-----------------------

CN13_7/275CU		Helical termination copper_7/275			
ITEM NUMBER	STOCK CODE	DESCRIPTION	QTY RQD	UNIT OF MEASURE	REMARKS
1	CF0554	helical termination	1	ea	

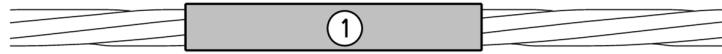
CN13_19/214CU		Helical termination copper_19/2.14			
ITEM NUMBER	STOCK CODE	DESCRIPTION	QTY RQD	UNIT OF MEASURE	REMARKS
1	CF0566	helical termination	1	ea	

CN13_19/275CU		Helical termination copper_19/2.75			
ITEM NUMBER	STOCK CODE	DESCRIPTION	QTY RQD	UNIT OF MEASURE	REMARKS
1	CF0540	helical termination	1	ea	

CN13_7/300AA		Termination – AAC and AAAC_7/3.00			
ITEM NUMBER	STOCK CODE	DESCRIPTION	QTY RQD	UNIT OF MEASURE	REMARKS
1	CF0520	helical termination	1	ea	

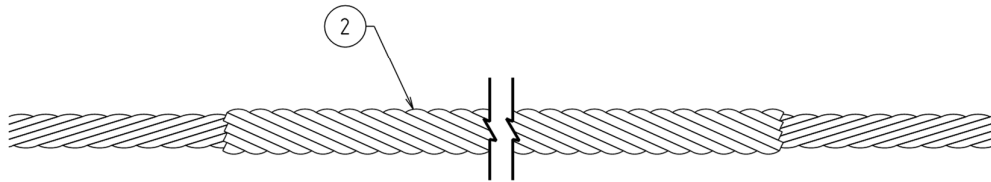
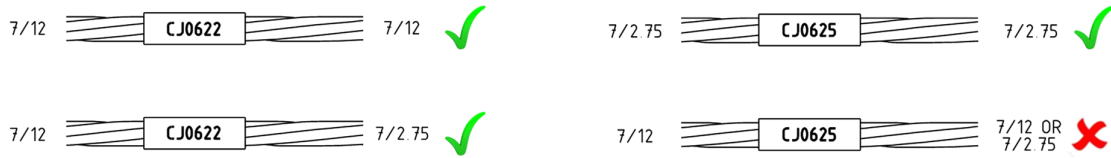
CN13_7/375AA		Termination – AAC and AAAC_7/3.75			
ITEM NUMBER	STOCK CODE	DESCRIPTION	QTY RQD	UNIT OF MEASURE	REMARKS
1	CF0522	helical termination	1	ea	

CN13_7/450AA		Termination – AAC and AAAC_7/4.50			
ITEM NUMBER	STOCK CODE	DESCRIPTION	QTY RQD	UNIT OF MEASURE	REMARKS
1	CF0524	helical termination	1	ea	



FULL TENSION SLEEVE

NOTE:-



HELICAL SPLICE FOR SMALL HV STEEL CONDUCTORS

CU	Conductor
CN17_3/2 75GZ	3/2.75 SCGZ
CN17_3/2 75AC	3/2.75 SCAC
CN17_7/1.60GZ	7/1.60 SCGZ
CN17_7/2 75GZ	7/2.75 SCGZ

CU'S FOR HELICAL SPLICES

COMPATIBLE UNIT						DISTRIBUTION DESIGN CATALOGUE		westernpower					
H	01/10/24	TABLE REVISED	JG	VS	CO	FULL TENSION COMPRESSION JOINTS & HELICAL SPLICES FOR BARE AAC/AAAC, COPPER & STEEL CONDUCTORS		DRAWN	JRR	DATE	27-03-2014	DRG No	
G	14/06/16	TABLE DELETED	REE	JC	GS			ORIGINATED	REE	SCALE	NTS		
F	09/10/15	TITLE CHANGED AND TABLE 2 ADDED	REE	REE	GS			CHECKED	REE				
E	23/03/15	STOCK CODE CJ0630 WAS CJ0620 AND CJ0633 WAS CJ0623	JC	REE	GS			APPROVED					
REV	DATE	DESCRIPTION	ORGD	CHKD	APRD					GRANT	STACY	REV	H

CU		CU Description			
CN17_7/250 Full tension comp joint–AAC/AAAC_7/2.50					
ITEM NUMBER	STOCK CODE	DESCRIPTION	QTY RQD	UNIT OF MEASURE	REMARKS
1	CJ0600	Full tension sleeve	1	ea	
CN17_7/300 Full tension comp joint–AAC/AAAC_7/3.00					
ITEM NUMBER	STOCK CODE	DESCRIPTION	QTY RQD	UNIT OF MEASURE	REMARKS
1	CJ0593	Full tension sleeve	1	ea	
CN17_7/375 Full tension comp joint–AAC/AAAC_7/3.75					
ITEM NUMBER	STOCK CODE	DESCRIPTION	QTY RQD	UNIT OF MEASURE	REMARKS
1	CJ0583	Full tension sleeve	1	ea	
CN17_7/475 Full tension comp joint–AAC/AAAC_7/4.75					
ITEM NUMBER	STOCK CODE	DESCRIPTION	QTY RQD	UNIT OF MEASURE	REMARKS
1	CJ0208	Full tension sleeve	1	ea	
CN17_19/325 Full tension comp joint–AAC/AAAC_19/3.25					
ITEM NUMBER	STOCK CODE	DESCRIPTION	QTY RQD	UNIT OF MEASURE	REMARKS
1	CJ0591	Full tension sleeve	1	ea	
CN17_7/1.60 Helical Splices–SCGZ_7/1.60 (7/16)					
ITEM NUMBER	STOCK CODE	DESCRIPTION	QTY RQD	UNIT OF MEASURE	REMARKS
2	CF0479	Splice, Conductor Straight	1	ea	
CN17_7/12 Full tension comp joint – copper_7/12 (7/2.75)					
ITEM NUMBER	STOCK CODE	DESCRIPTION	QTY RQD	UNIT OF MEASURE	REMARKS
1	CJ0622	Full tension sleeve	1	ea	
CN17_7/14 Full tension comp joint – copper_7/14 (7/2.00)					
ITEM NUMBER	STOCK CODE	DESCRIPTION	QTY RQD	UNIT OF MEASURE	REMARKS
1	CJ0633	Full tension sleeve	1	ea	

<b>CU</b>	<b>CU Description</b>
-----------	-----------------------

CN17_7/16 Full tension comp joint – copper_7/16 (7/1.60)					
ITEM NUMBER	STOCK CODE	DESCRIPTION	QTY RQD	UNIT OF MEASURE	REMARKS
1	CJ0630	Splice,Conductor-straight	1	ea	

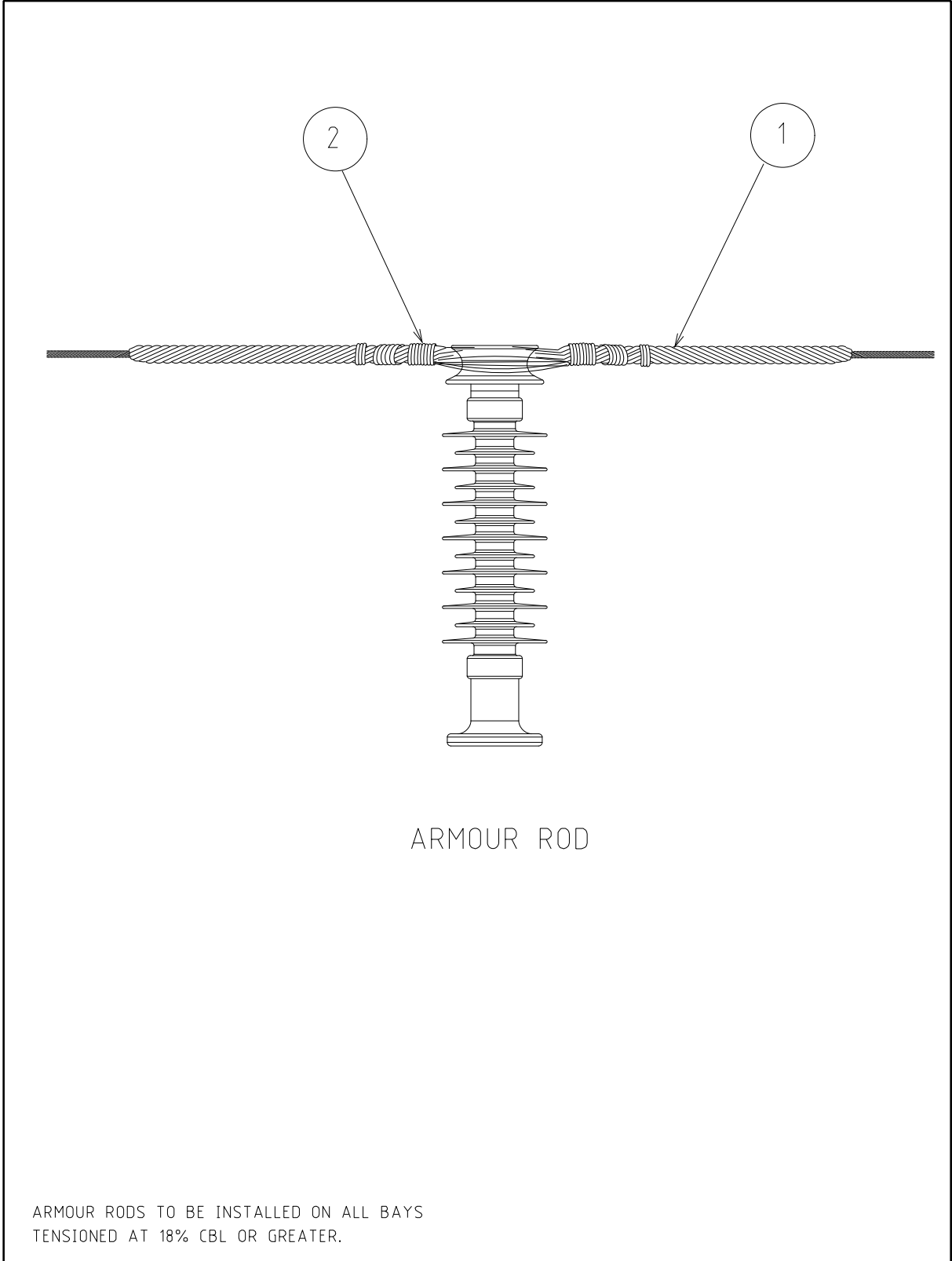
CN17_19/14 Full tension comp joint – copper_19/14 (19/2.00)					
ITEM NUMBER	STOCK CODE	DESCRIPTION	QTY RQD	UNIT OF MEASURE	REMARKS
1	CJ0636	Splice,Conductor-straight	1	ea	

CN17_19/16 Full tension comp joint – copper_19/16 (19/1.60)					
ITEM NUMBER	STOCK CODE	DESCRIPTION	QTY RQD	UNIT OF MEASURE	REMARKS
1	CJ0625	Splice,Conductor-straight	1	ea	

CN17_3/275GZ Helical Splices – 3/275 SCGZ					
ITEM NUMBER	STOCK CODE	DESCRIPTION	QTY RQD	UNIT OF MEASURE	REMARKS
2	CF0471	Splice,Conductor-straight	1	ea	

CN17_3/275AC Helical Splices-3/275 SCAC					
ITEM NUMBER	STOCK CODE	DESCRIPTION	QTY RQD	UNIT OF MEASURE	REMARKS
2	CF0160	Splice,Conductor-straight	1	ea	

CN17_7/275GZ Helical Splices-7/275 SCGZ					
ITEM NUMBER	STOCK CODE	DESCRIPTION	QTY RQD	UNIT OF MEASURE	REMARKS
2	CF0475	Splice,Conductor-straight	1	ea	



ARMOUR ROD

ARMOUR RODS TO BE INSTALLED ON ALL BAYS  
TENSIONED AT 18% CBL OR GREATER.

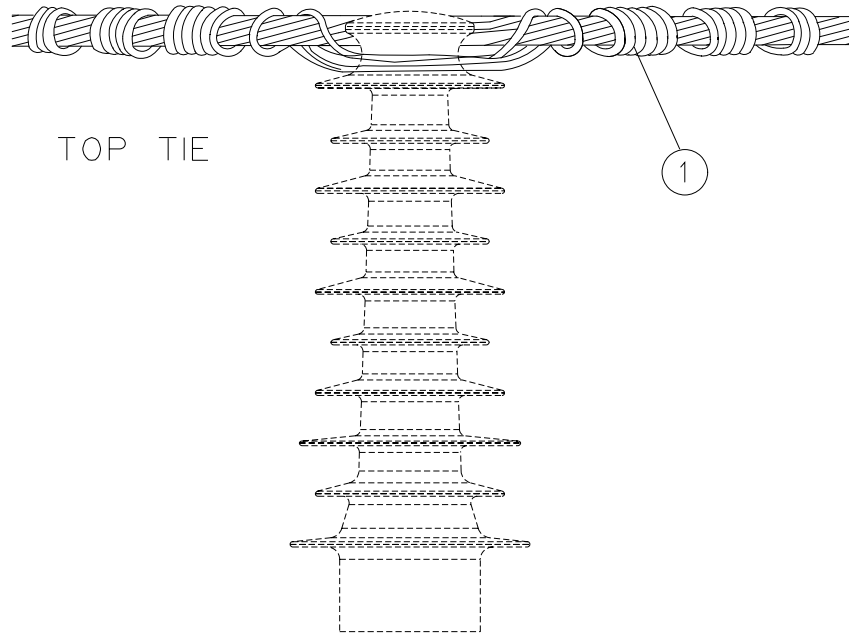
				COMPATIBLE UNIT			DISTRIBUTION DESIGN CATALOGUE			
				TITLE			DRAWN: JRR		DATE: 27-03-2014	
				ARMOUR RODS			ORIGINATED:		SCALE: NTS	
							CHECKED: REE		DRG. No. CN18	
							APPROVED: GRANT STACY		REV. C	
C	18.05.13	ORIGINAL ISSUE								
REV	DATE	DESCRIPTION	ORGO	CHKD	APRO					

CU		CU Description			
CN18_7/250AA      Armour rods – AAC & AAAC_ 7/2.50					
ITEM NUMBER	STOCK CODE	DESCRIPTION	QTY RQD	UNIT OF MEASURE	REMARKS
1	CF0238	Armour rod	1	ea	
2	CT0164	Aluminium tie	1	ea	
CN18_7/300AA      Armour rods for AA & AAA 7/3.00 & 6/1/3.00 ACSR					
ITEM NUMBER	STOCK CODE	DESCRIPTION	QTY RQD	UNIT OF MEASURE	REMARKS
1	CF0239	Armour rod	1	ea	
2	CT0164	Aluminium tie	1	ea	
CN18_7/375AA      Armour rods for AAC & AAAC 7/3.75					
ITEM NUMBER	STOCK CODE	DESCRIPTION	QTY RQD	UNIT OF MEASURE	REMARKS
1	CF0240	Armour rod	1	ea	
2	CT0164	Aluminium tie	1	ea	
CN18_7/475AA      Armour rods – AAC & AAAC_ 7/4.75					
ITEM NUMBER	STOCK CODE	DESCRIPTION	QTY RQD	UNIT OF MEASURE	REMARKS
1	CF0237	Armour rod	1	ea	
2	CT0164	Aluminium tie	1	ea	
CN18_19/325A      Armour rods – AAC & AAAC_ 19/3.25					
ITEM NUMBER	STOCK CODE	DESCRIPTION	QTY RQD	UNIT OF MEASURE	REMARKS
1	CF0345	Armour rod	1	ea	
2	CT0164	Aluminium tie	1	ea	
CN18_3/275GZ      Armour rods – SCGZ_ 3/2.75					
ITEM NUMBER	STOCK CODE	DESCRIPTION	QTY RQD	UNIT OF MEASURE	REMARKS
1	CF0258	armour rod	1	ea	
2	CT0254	Steel tie	1	ea	
CN18_7/1.6S      Armour rods – SCGZ_ 7/1.60					
ITEM NUMBER	STOCK CODE	DESCRIPTION	QTY RQD	UNIT OF MEASURE	REMARKS
1	CF0257	armour rod	1	ea	
2	CT0254	Steel tie	1	ea	

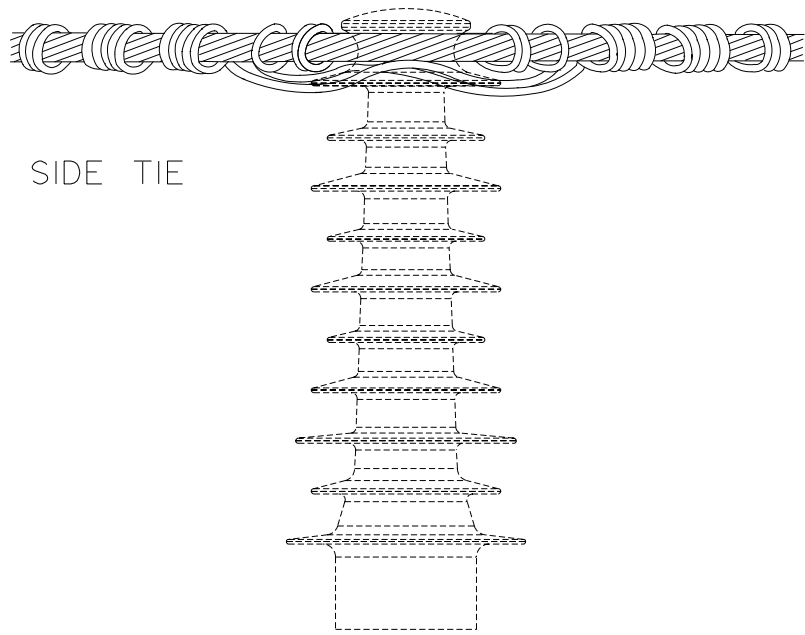
<b>CU</b>	<b>CU Description</b>
-----------	-----------------------

CN18_3/275AC      Armour rods – SCAC_3/2.75					
ITEM NUMBER	STOCK CODE	DESCRIPTION	QTY RQD	UNIT OF MEASURE	REMARKS
1	CF0350	armour rod	1	ea	
2	CT0254	Steel tie	1	ea	

CN18_7/450AA      Armour rods – AA & AAAC_7/4.50					
ITEM NUMBER	STOCK CODE	DESCRIPTION	QTY RQD	UNIT OF MEASURE	REMARKS
1	CF0247	armour rod	1	ea	
2	CT0164	Aluminium tie	1	ea	



TOP TIE



SIDE TIE

				COMPATIBLE UNIT			DISTRIBUTION DESIGN CATALOGUE			
				TITLE			DRAWN: JRR		DATE: 27-03-2016	
				TIES FOR HIGH & LOW VOLTAGE AAC, AAAC & SCAC			ORIGINATED:		SCALE: NTS	
							CHECKED: REE		DRG. No. CN26	
							APPROVED: GRANT STACY		REV. D	
D	20.06.16	TITLE CHANGED		JC	REE	GS				
C	15.05.13	ORIGINAL ISSUE								
REV	DATE	DESCRIPTION		ORGD	CHKD	APRD				

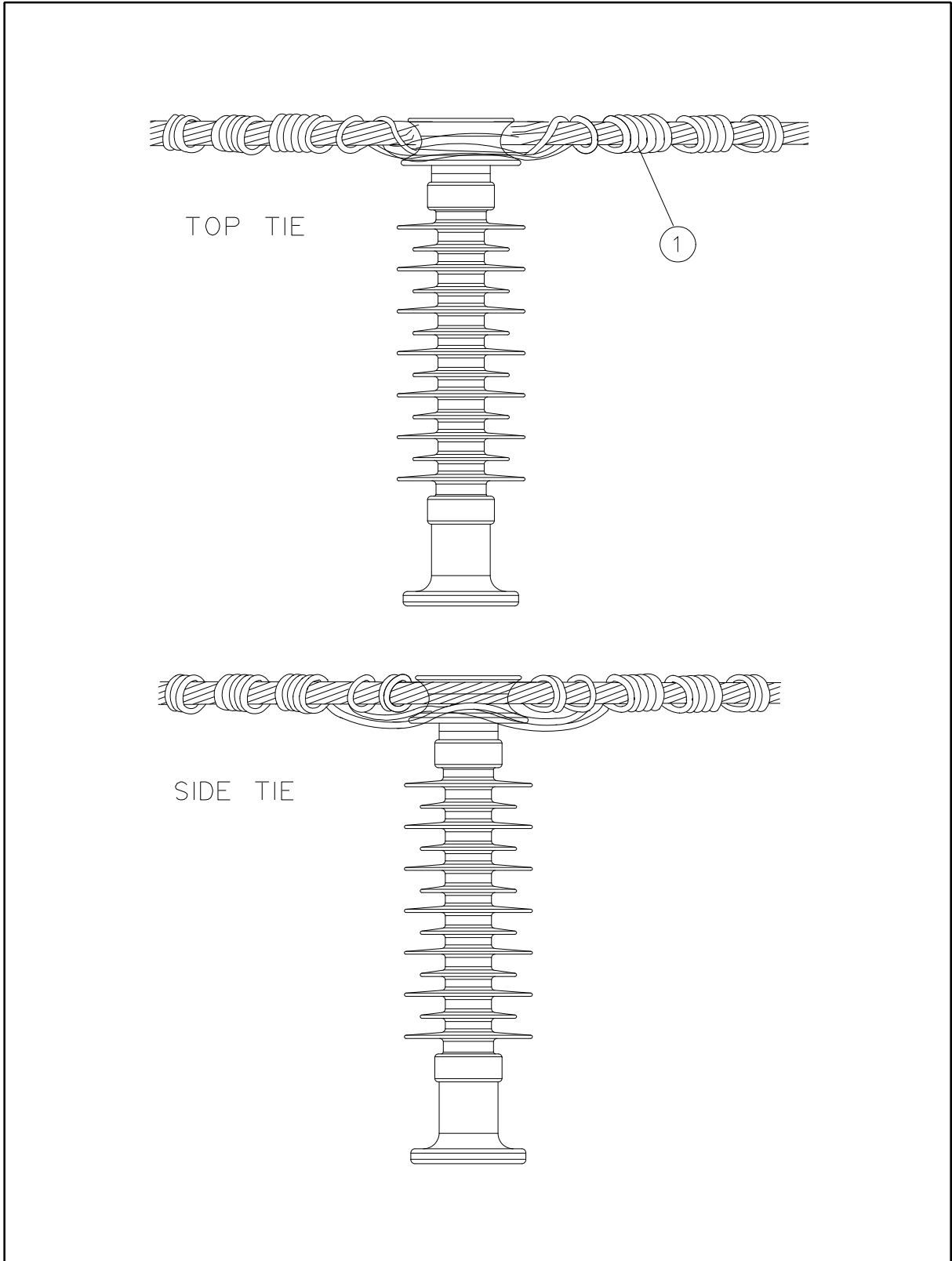
<b>CU</b>	<b>CU Description</b>
-----------	-----------------------

CN26_3/275		Ties HV / LV - AAC & AAAC & SCAC_3/2.75			
ITEM NUMBER	STOCK CODE	DESCRIPTION	QTY RQD	UNIT OF MEASURE	REMARKS
1	CT0164	Conductor tie	1	ea	

CN26_7/250		Ties HV / LV - AAC & AAAC_7/2.50			
ITEM NUMBER	STOCK CODE	DESCRIPTION	QTY RQD	UNIT OF MEASURE	REMARKS
1	CT0164	Conductor tie	1	ea	

CN26_7/475		Ties HV / LV - AAC & AAAC_7/4.75			
ITEM NUMBER	STOCK CODE	DESCRIPTION	QTY RQD	UNIT OF MEASURE	REMARKS
1	CT0164	Conductor tie	1	ea	

CN26_19/325		Ties HV / LV - AAC & AAAC_19/3.25			
ITEM NUMBER	STOCK CODE	DESCRIPTION	QTY RQD	UNIT OF MEASURE	REMARKS
1	CT0164	Conductor tie	1	ea	



TOP TIE

1

SIDE TIE

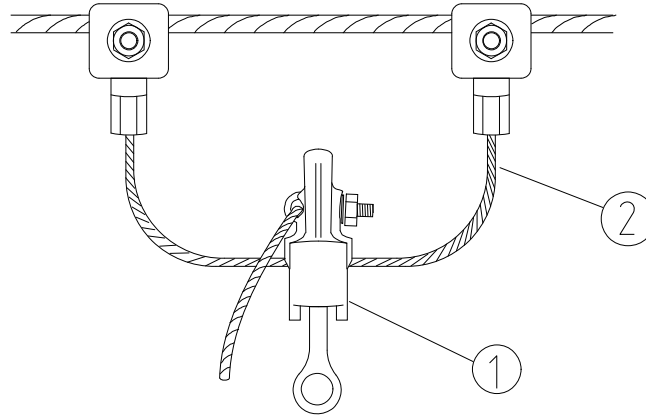
				COMPATIBLE UNIT			DISTRIBUTION DESIGN CATALOGUE			
				TITLE			DRAWN: JRR		DATE: 27-03-2016	
				TIES FOR STEEL & COPPER CONDUCTOR			ORIGINATED:		SCALE: NTS	
							CHECKED: REE		DRG. No. CN27	
							APPROVED: GRANT STACY		REV. C	
REV	DATE	DESCRIPTION	ORGO	CHKD	APRO					
C	15.05.13	ORIGINAL ISSUE								

<b>CU</b>	<b>CU Description</b>
-----------	-----------------------

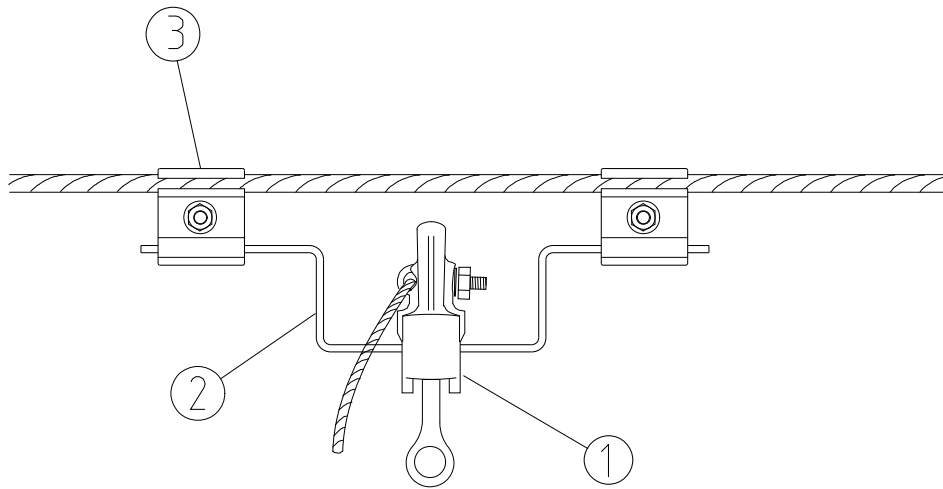
CN27_3/275 Ties steel_ 3/2.75 and all SCGZ					
ITEM NUMBER	STOCK CODE	DESCRIPTION	QTY RQD	UNIT OF MEASURE	REMARKS
1	CT0254	Steel tie	1	ea	

CN27_CULV Ties LV copper					
ITEM NUMBER	STOCK CODE	DESCRIPTION	QTY RQD	UNIT OF MEASURE	REMARKS
1	CT0204	Conductor tie	1	ea	

CN27_CUHV Ties HV copper					
ITEM NUMBER	STOCK CODE	DESCRIPTION	QTY RQD	UNIT OF MEASURE	REMARKS
1	CT0209	Conductor tie	1	ea	



FOR ALUMINIUM AND COPPER CONDUCTORS



FOR SCGZ OR SCGZ/SCAC

\* SPLICE TO BE APPLIED TO ALL 7/16 SC/GZ

REV	DATE	DESCRIPTION	ORGD.	CHKD.	APRD.	TITLE	DISTRIBUTION DESIGN CATALOGUE	westernpower	
D	02.06.20	CONDUCTOR SPECIFICATION CHANGED	REE	CO	LT	COMPATIBLE UNIT  STIRRUP LIVE LINE CLAMP	DRAWN: JRR	DATE: 27-03-2014	DRG. No.
C	29.10.20	NOTE ADDED	REE	CO	GS		ORIGINATED:	SCALE: NTS	CN30
B	20.06.16	DETAILS FOR SCGZ OR SCGZ/SCAC ADDED	JC	REE	GS		CHECKED: REE	APPROVED:	
A	21.01.99	ORIGINAL ISSUE					GRANT STACY	REV. D	

<b>CU</b>	<b>CU Description</b>
-----------	-----------------------

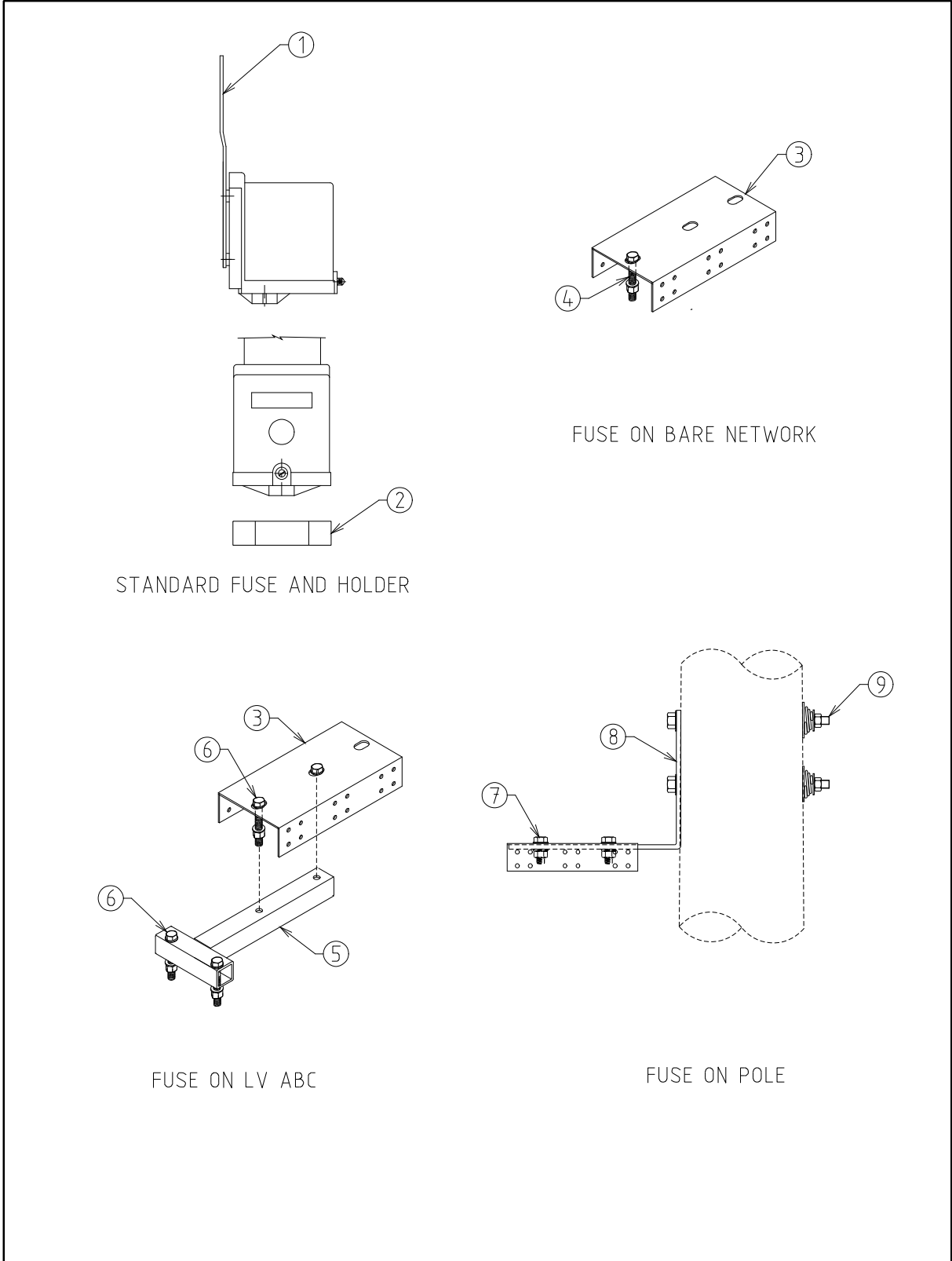
CN30_7/250 Stirrup live line clamp_ 7/2.50					
ITEM NUMBER	STOCK CODE	DESCRIPTION	QTY RQD	UNIT OF MEASURE	REMARKS
1	CC0497	live line clamp	1	ea	
2	FC0101	stirrup	1	ea	

CN30_7/475 Stirrup live line clamp_ 7/4.75					
ITEM NUMBER	STOCK CODE	DESCRIPTION	QTY RQD	UNIT OF MEASURE	REMARKS
1	CC0497	live line clamp	1	ea	
2	FC0101	stirrup	1	ea	

CN30_19/325 Stirrup live line clamp_ 19/3.25					
ITEM NUMBER	STOCK CODE	DESCRIPTION	QTY RQD	UNIT OF MEASURE	REMARKS
1	CC0497	live line clamp	1	ea	
2	FC0101	stirrup	1	ea	

CN30_7/16 Stirrup live line clamp_ 7/16 SCGZ					
ITEM NUMBER	STOCK CODE	DESCRIPTION	QTY RQD	UNIT OF MEASURE	REMARKS
1	CC0497	live line clamp	1	ea	
2	FC0105	stirrup	1	ea	
3	CF0479	Helical splice	1	ea	
4	CC0224	PG Clamp	2	ea	

CN30_3/275 Stirrup live line clamp_ 3/275 SCGZ/SCAC					
ITEM NUMBER	STOCK CODE	DESCRIPTION	QTY RQD	UNIT OF MEASURE	REMARKS
1	CC0497	live line clamp	1	ea	
2	FC0105	stirrup	1	ea	
3	CC0224	PG clamp	2	ea	



STANDARD FUSE AND HOLDER

FUSE ON BARE NETWORK

FUSE ON LV ABC

FUSE ON POLE

				COMPATIBLE UNIT		DISTRIBUTION DESIGN CATALOGUE			
				TITLE		DRAWN: JRR		DATE: 27-03-2014	
				POLE MOUNTED LV FUSE HOLDER		ORIGINATED:		SCALE: NTS	
						CHECKED: REE		DRG. No. CN35	
						APPROVED:		REV. B	
REV	DATE	DESCRIPTION		ORGO	CHKD	APRO	GRANT STACY		SHT.

CU		CU Description			
CN35_10 Pole mounted LV fuse holder with 10amp					
ITEM NUMBER	STOCK CODE	DESCRIPTION	QTY RQD	UNIT OF MEASURE	REMARKS
1	GF1801	fuse holder	1	ea	
2	GF0550	fuse	1	ea	

CN35_32 Pole mounted LV fuse holder with 32amp					
ITEM NUMBER	STOCK CODE	DESCRIPTION	QTY RQD	UNIT OF MEASURE	REMARKS
1	GF1801	fuse holder	1	ea	
2	GF1940	fuse	1	ea	

CN35_50 Pole mounted LV fuse holder with 50amp					
ITEM NUMBER	STOCK CODE	DESCRIPTION	QTY RQD	UNIT OF MEASURE	REMARKS
1	GF1801	fuse holder	1	ea	
2	GF1930	fuse	1	ea	

CN35_60 Pole mounted LV fuse holder with 60amp					
ITEM NUMBER	STOCK CODE	DESCRIPTION	QTY RQD	UNIT OF MEASURE	REMARKS
1	GF1801	fuse holder	1	ea	
2	GF0551	fuse	1	ea	

CN35_80 Pole mounted LV fuse holder with 80amp					
ITEM NUMBER	STOCK CODE	DESCRIPTION	QTY RQD	UNIT OF MEASURE	REMARKS
1	GF1801	fuse holder	1	ea	
2	GF1944	fuse	1	ea	

CN35_100 Pole mounted LV fuse holder with 100amp					
ITEM NUMBER	STOCK CODE	DESCRIPTION	QTY RQD	UNIT OF MEASURE	REMARKS
1	GF1801	fuse holder	1	ea	
2	GF1947	fuse	1	ea	

<b>CU</b>	<b>CU Description</b>
-----------	-----------------------

CN35_Bare Fuse on bare network					
ITEM NUMBER	STOCK CODE	DESCRIPTION	QTY RQD	UNIT OF MEASURE	REMARKS
3	CB3054	LV Fuse mounting bracket	1	ea	
4	AB4567	M12 x 150mm Bolt	1	ea	
4	AW3523	Round washer	2	ea	
4	AW2291	Lock washer	1	ea	

CN35_LV_ABC Fuse on LV ABC network					
ITEM NUMBER	STOCK CODE	DESCRIPTION	QTY RQD	UNIT OF MEASURE	REMARKS
3	CB3054	LV Fuse mounting bracket	1	ea	
5	CB3019	Bracket for fuse holder	1	ea	
6	AB4558	M12 x 75mm Bolt	4	ea	
6	AW3523	Washer	8	ea	
6	AW2291	Lock washer	4	ea	

CN35_Pole Fuse on Pole					
ITEM NUMBER	STOCK CODE	DESCRIPTION	QTY RQD	UNIT OF MEASURE	REMARKS
3	CB3054	LV Fuse mounting bracket	1	ea	
7	AB4551	M12 x 40mm Bolt	2	ea	
7	AW3523	Washer	4	ea	
7	AW2291	Lock washer	2	ea	
8	GS6021	Mounting Bracket	1	ea	
9	AB6732	M16 x 550mm bolt with nut and washers	2	ea	

CN37_3/275 Conductor – SCAC 3/2.75					
ITEM NUMBER	STOCK CODE	DESCRIPTION	QTY RQD	UNIT OF MEASURE	REMARKS
1	ES0006		1	mr	

CN38_95 Conductor – LVABC 95					
ITEM NUMBER	STOCK CODE	DESCRIPTION	QTY RQD	UNIT OF MEASURE	REMARKS
1	EE1430		1	mr	

CN38_150 Conductor – LVABC 150					
ITEM NUMBER	STOCK CODE	DESCRIPTION	QTY RQD	UNIT OF MEASURE	REMARKS
1	EE1431		1	mr	

<b>CU</b>	<b>CU Description</b>
-----------	-----------------------

CN39_95/4M		Conductor – LVABC 95mm <sup>2</sup> 4m 4 core tap jumper			
------------	--	--	--	--	--

ITEM NUMBER	STOCK CODE	DESCRIPTION	QTY RQD	UNIT OF MEASURE	REMARKS
1	FT0095		1	ea	

CN39_150/4M		Conductor – LVABC 150mm <sup>2</sup> 4m 4core tap jumper			
-------------	--	--	--	--	--

ITEM NUMBER	STOCK CODE	DESCRIPTION	QTY RQD	UNIT OF MEASURE	REMARKS
1	FT0150		1	ea	

CN41		Cable – 16 mm XLPE streetlight			
------	--	--------------------------------	--	--	--

ITEM NUMBER	STOCK CODE	DESCRIPTION	QTY RQD	UNIT OF MEASURE	REMARKS
1	EE1421		1	mr	

CN41_TRMT		Cable – 16 mm XLPE streetlight – Termite Protected (NYL)			
-----------	--	--	--	--	--

ITEM NUMBER	STOCK CODE	DESCRIPTION	QTY RQD	UNIT OF MEASURE	REMARKS
1	EC1415		1	mr	

CN42		Cable – 25 mm XLPE LV			
------	--	-----------------------	--	--	--

ITEM NUMBER	STOCK CODE	DESCRIPTION	QTY RQD	UNIT OF MEASURE	REMARKS
1	EE1425		1	mr	

CN42_TRMT		Cable – 25 mm XLPE LV – Termite Protected (NYL)			
-----------	--	---	--	--	--

ITEM NUMBER	STOCK CODE	DESCRIPTION	QTY RQD	UNIT OF MEASURE	REMARKS
1	EC1416		1	mr	

CN43		Cable – 120 mm XLPE LV			
------	--	------------------------	--	--	--

ITEM NUMBER	STOCK CODE	DESCRIPTION	QTY RQD	UNIT OF MEASURE	REMARKS
1	EC1100		1	mr	

CN43_TRMT		Cable – 120 mm XLPE LV – Termite Protected (NYL)			
-----------	--	--	--	--	--

ITEM NUMBER	STOCK CODE	DESCRIPTION	QTY RQD	UNIT OF MEASURE	REMARKS
1	EC1112		1	mr	

CU		CU Description			
CN45 Cable – 240 mm XLPE LV					
ITEM NUMBER	STOCK CODE	DESCRIPTION	QTY RQD	UNIT OF MEASURE	REMARKS
1	EC1102		1	mr	
CN45_TRMT Cable – 240 mm XLPE LV – Termite Protected (DBT)					
ITEM NUMBER	STOCK CODE	DESCRIPTION	QTY RQD	UNIT OF MEASURE	REMARKS
1	EC1105		1	mr	
CN46 Cable 22kV Al 35 mm TR-XLPE HV 3 x 1 core - Nylon					
ITEM NUMBER	STOCK CODE	DESCRIPTION	QTY RQD	UNIT OF MEASURE	REMARKS
1	EC2191		1	mr	
CN47 Cable 22kV Al 35 mm TR-XLPE HV 1 core - Nylon					
ITEM NUMBER	STOCK CODE	DESCRIPTION	QTY RQD	UNIT OF MEASURE	REMARKS
1	EC2171		1	mr	
CN48 Cable 33kV Al 185 mm TR-XLPE HV 3 x 1 core - Nylon					
ITEM NUMBER	STOCK CODE	DESCRIPTION	QTY RQD	UNIT OF MEASURE	REMARKS
1	EC2193		1	mr	
CN49_22 Cable 22kV Cu 240 mm TR-XLPE HV 3 x 1 core – Double Brass Tape					
ITEM NUMBER	STOCK CODE	DESCRIPTION	QTY RQD	UNIT OF MEASURE	REMARKS
1	EC2195		1	mr	
CN49_33 Cable 33kV Cu 240 mm TR-XLPE HV 3 x 1 core – Double Brass Tape					
ITEM NUMBER	STOCK CODE	DESCRIPTION	QTY RQD	UNIT OF MEASURE	REMARKS
1	EC2197		1	mr	
CN51 Cable 33kV Al 50 mm TR-XLPE HV 3 x 1 core - Nylon					
ITEM NUMBER	STOCK CODE	DESCRIPTION	QTY RQD	UNIT OF MEASURE	REMARKS
1	EC2192		1	mr	

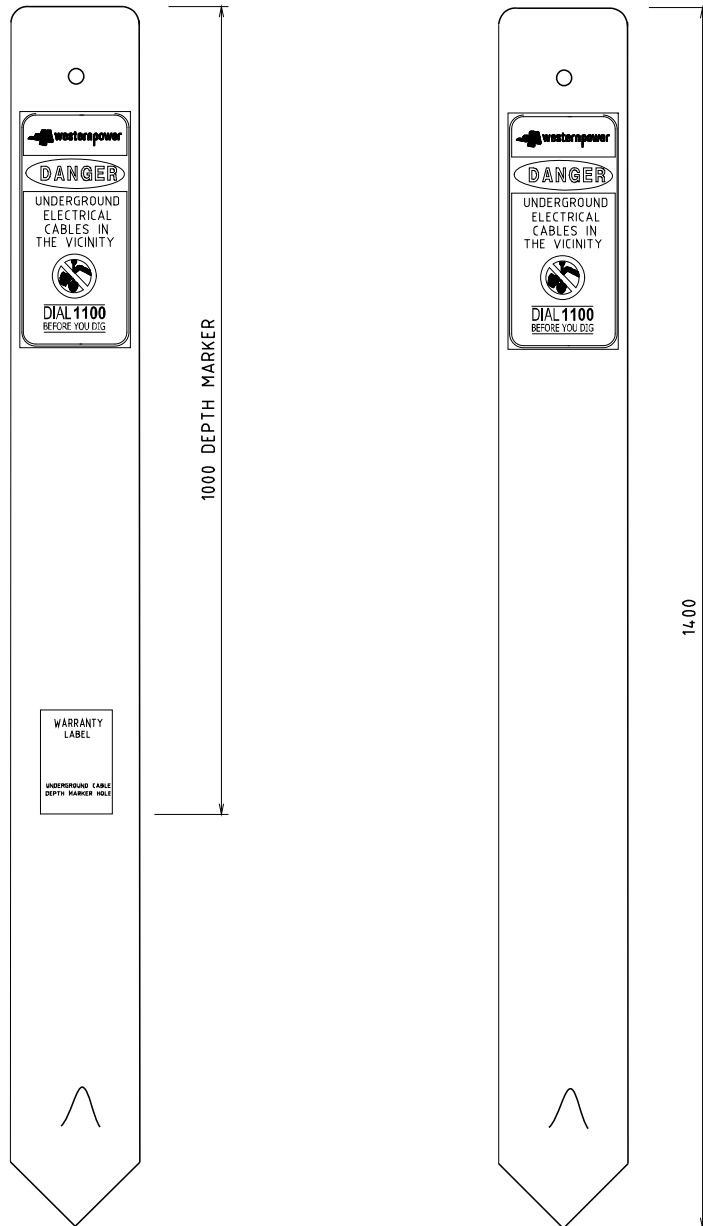
CU		CU Description			
CN52_7/475 Conductor – AAAC 7/4.75					
ITEM NUMBER	STOCK CODE	DESCRIPTION	QTY RQD	UNIT OF MEASURE	REMARKS
1	EK0022		1	mr	
CN52_19/3.25 Conductor – AAAC 19/3.25					
ITEM NUMBER	STOCK CODE	DESCRIPTION	QTY RQD	UNIT OF MEASURE	REMARKS
1	EK0024		1	mr	
CN53 Cable 22kV Al 400 mm TR-XLPE HV 3 x 1 core – Double Brass Tape					
ITEM NUMBER	STOCK CODE	DESCRIPTION	QTY RQD	UNIT OF MEASURE	REMARKS
1	EC2198		1	mr	
CN54 Cable protector plastic slabs 2.1m long					
ITEM NUMBER	STOCK CODE	DESCRIPTION	QTY RQD	UNIT OF MEASURE	REMARKS
1	CZ0505	Orange flat slab	1	ea	
CN56_25 Conduit 25 dia – 4m long					
ITEM NUMBER	STOCK CODE	DESCRIPTION	QTY RQD	UNIT OF MEASURE	REMARKS
1	GC0022	Rigid 4m	1	lg	
CN56_32 Conduit 32 dia – 4m long					
ITEM NUMBER	STOCK CODE	DESCRIPTION	QTY RQD	UNIT OF MEASURE	REMARKS
1	GC0023	Rigid 4m	1	lg	
CN56_50 Conduit 50 dia – 4m long					
ITEM NUMBER	STOCK CODE	DESCRIPTION	QTY RQD	UNIT OF MEASURE	REMARKS
1	GC0025	Rigid 4m	1	lg	
CN56_80 Conduit 80 dia – 4m long					
ITEM NUMBER	STOCK CODE	DESCRIPTION	QTY RQD	UNIT OF MEASURE	REMARKS
1	GC0028	Rigid 4m	1	lg	

CU		CU Description			
CN56_100 Conduit 100 dia – 4m long					
ITEM NUMBER	STOCK CODE	DESCRIPTION	QTY RQD	UNIT OF MEASURE	REMARKS
1	GC2123	Rigid 4m	1	lg	
CN56_125 Conduit 125 dia – 4m long					
ITEM NUMBER	STOCK CODE	DESCRIPTION	QTY RQD	UNIT OF MEASURE	REMARKS
1	GC2122	Rigid 4m	1	lg	
CN56_150 Conduit 150 dia – 4m long					
ITEM NUMBER	STOCK CODE	DESCRIPTION	QTY RQD	UNIT OF MEASURE	REMARKS
1	GC2121	Rigid 4m	1	lg	
CN56_100_CO Conduit 100 dia – 6m long					
ITEM NUMBER	STOCK CODE	DESCRIPTION	QTY RQD	UNIT OF MEASURE	REMARKS
1	GC0029	Corflo 6m	1	lg	Only for use in congested areas
CN56_125_CO Conduit 125 dia – 6m long					
ITEM NUMBER	STOCK CODE	DESCRIPTION	QTY RQD	UNIT OF MEASURE	REMARKS
1	GC0030	Corflo 6m	1	lg	Only for use in congested areas
CN56_150_CO Conduit 150 dia – 6m long					
ITEM NUMBER	STOCK CODE	DESCRIPTION	QTY RQD	UNIT OF MEASURE	REMARKS
1	GC7863	Corflo 6m	1	lg	Only for use in congested areas
CN57 Cable 33kV Al 50 mm TR-XLPE HV 1 x 1 core - Nylon					
ITEM NUMBER	STOCK CODE	DESCRIPTION	QTY RQD	UNIT OF MEASURE	REMARKS
1	EC2190		1	mr	
CN59_6/1/300 Conductor – AACSR 6/1/300					
ITEM NUMBER	STOCK CODE	DESCRIPTION	QTY RQD	UNIT OF MEASURE	REMARKS
1	EL0007		1	mr	

CU		CU Description			
CN60_630AL		Conductor – 630mm AL			
ITEM NUMBER	STOCK CODE	DESCRIPTION	QTY RQD	UNIT OF MEASURE	REMARKS
1	EC1074	Double Insulated 630mm <sup>2</sup> Al Conductor	1	mr	
CN60_400CU		Conductor – 400CU			
ITEM NUMBER	STOCK CODE	DESCRIPTION	QTY RQD	UNIT OF MEASURE	REMARKS
1	EC1075	Double Insulated 400mm <sup>2</sup> Cu Conductor	1	mr	
CN61_125		Cable below warning, tape 125mm x 690m roll			
ITEM NUMBER	STOCK CODE	DESCRIPTION	QTY RQD	UNIT OF MEASURE	REMARKS
1	CZ0390	Identification tape 125mm wide	1	ro	

**FRONT VIEW**

**BACK VIEW**

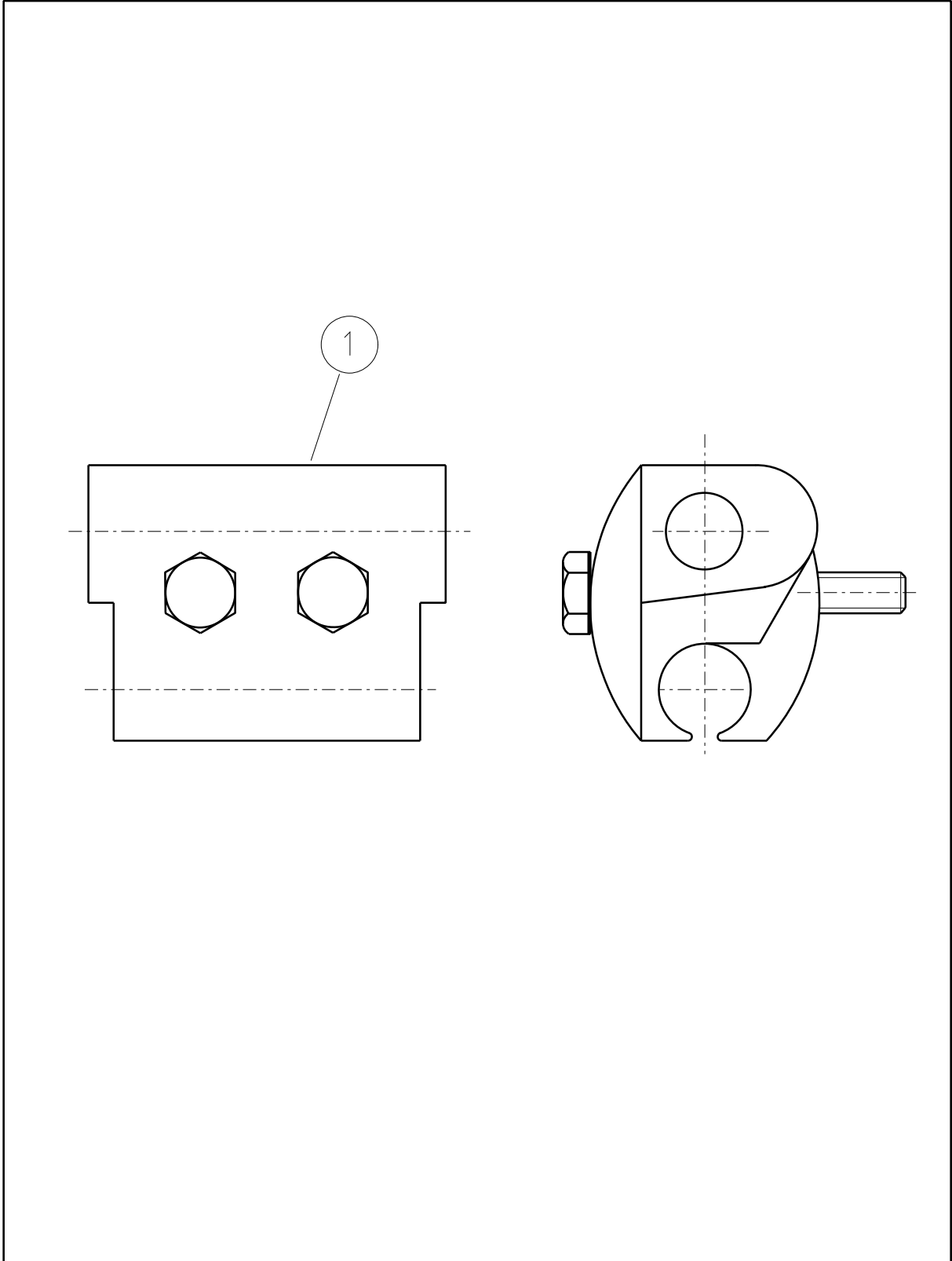


**NOTE:**  
1. ALL DIMENSIONS ARE IN MILLIMETRES UNO.

				COMPATIBLE UNIT				DISTRIBUTION DESIGN CATALOGUE			
				TITLE				DRAWN: JRR		DATE: 13-03-2014	
				ABOVE GROUND CABLE MARKER				ORIGINATED:		SCALE: NTS	
								CHECKED: DVT		DRG. No. CN64	
								APPROVED:		REV. C	
								GRANT STACY		SHT. C	
REV	DATE	DESCRIPTION	ORGO	CHKD	APRO						



<b>CU</b>		<b>CU Description</b>			
CN64 ABOVE GROUND CABLE MARKER					
ITEM NUMBER	STOCK CODE	DESCRIPTION	QTY RQD	UNIT OF MEASURE	REMARKS
1	CR0327	SLEEVE, MARKER, CABLE	1	ea	



				COMPATIBLE UNIT			DISTRIBUTION DESIGN CATALOGUE			
				INSULATION PIERCING CLAMP ABC			DRAWN: JRR		DATE: 27-03-2016	
				MAIN LINE TEE OFF AND			ORIGINATED:		SCALE: NTS	
				LARGE SINGLE SERVICE			CHECKED: REE		DRG. No. CN65	
REV	DATE	DESCRIPTION	ORGD	CHKD	APRD	APPROVED:	GRANT STACY		REV. C	SHT.

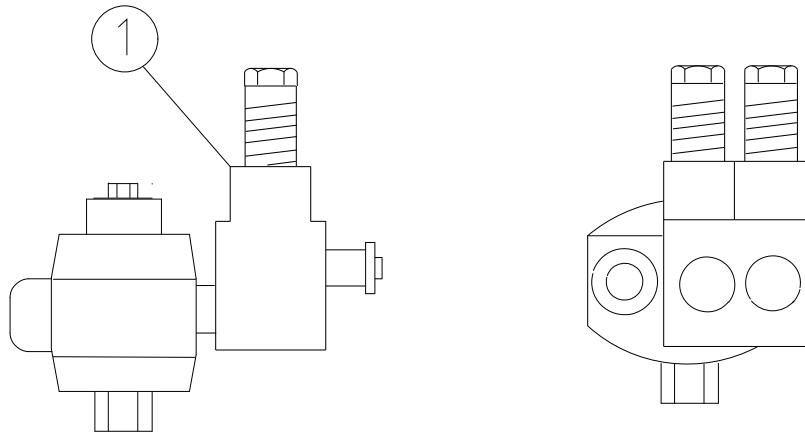
<b>CU</b>	<b>CU Description</b>
-----------	-----------------------

CN65_95/35		95 ABC to 6 – 35 service			
ITEM NUMBER	STOCK CODE	DESCRIPTION	QTY RQD	UNIT OF MEASURE	REMARKS
1	CC0085	Insulation piercing clamp	1	ea	

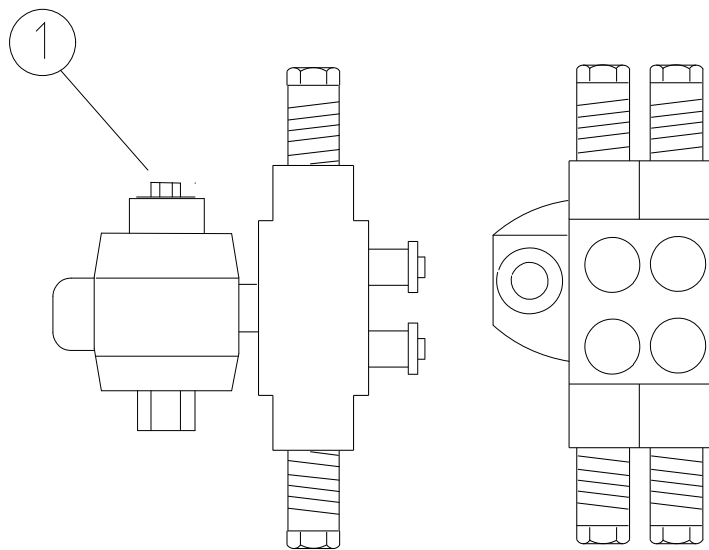
CN65_95/95		95 ABC to 95 ABC			
ITEM NUMBER	STOCK CODE	DESCRIPTION	QTY RQD	UNIT OF MEASURE	REMARKS
1	CC0081	Insulation piercing clamp	1	ea	

CN65_150/35		150 ABC to 6 – 35 service			
ITEM NUMBER	STOCK CODE	DESCRIPTION	QTY RQD	UNIT OF MEASURE	REMARKS
1	CC0085	Insulation piercing clamp	1	ea	

CN65_150/150		150 ABC to 95/150 ABC			
ITEM NUMBER	STOCK CODE	DESCRIPTION	QTY RQD	UNIT OF MEASURE	REMARKS
1	CC0081	Insulation piercing clamp	1	ea	



2 SERVICES PIERCING CLAMP



4 SERVICES PIERCING CLAMP

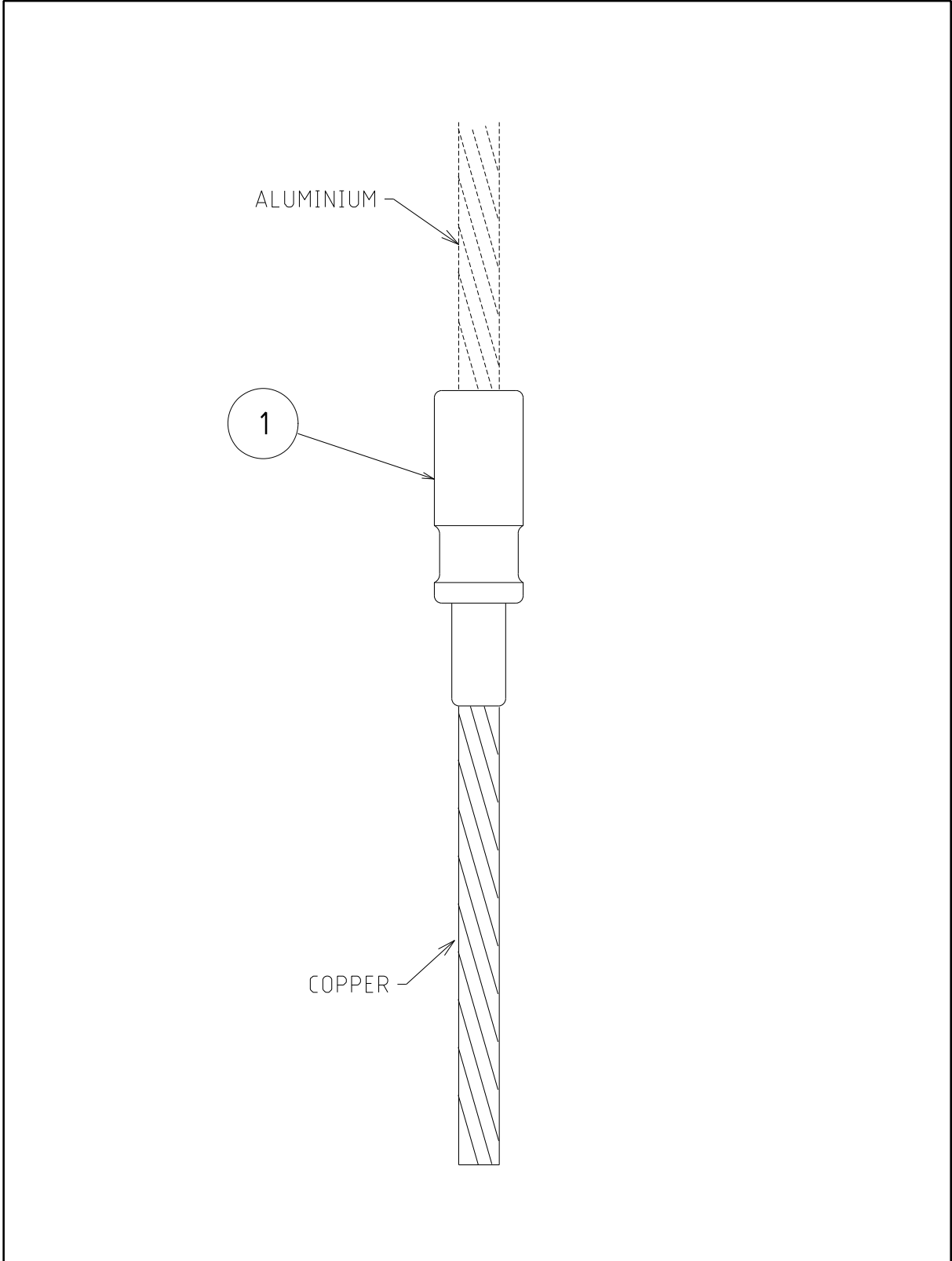
				COMPATIBLE UNIT			DISTRIBUTION DESIGN CATALOGUE			
				TITLE			DRAWN: JRR		DATE: 28-03-2016	
				INSULATION PIERCING CLAMP			ORIGINATED:		SCALE: NTS	
				ABC TO 2 OR 4 SERVICES			CHECKED: REE		REV. B	
							APPROVED: GRANT STACY		SHT. B	
REV	DATE	DESCRIPTION	ORGD	CHKD	APRD					
B	20.06.16	4 SERVICES CLAMP ADDED	JC	REE	GS					
A	21.01.99	ORIGINAL ISSUE								

<b>CU</b>	<b>CU Description</b>
-----------	-----------------------

CN68_95/35		95 ABC Main to 2 x 6-35 service			
ITEM NUMBER	STOCK CODE	DESCRIPTION	QTY RQD	UNIT OF MEASURE	REMARKS
1	CC0079	Insulation piercing clamp	1	ea	

CN68_150/35		150 ABC Main to 2 x 6-35 service			
ITEM NUMBER	STOCK CODE	DESCRIPTION	QTY RQD	UNIT OF MEASURE	REMARKS
1	CC0079	Insulation piercing clamp	1	ea	

CN68_150/50		50-150 ABC Main to 4 x 6-35 service			
ITEM NUMBER	STOCK CODE	DESCRIPTION	QTY RQD	UNIT OF MEASURE	REMARKS
1	CC0093	Insulation piercing clamp	1	ea	

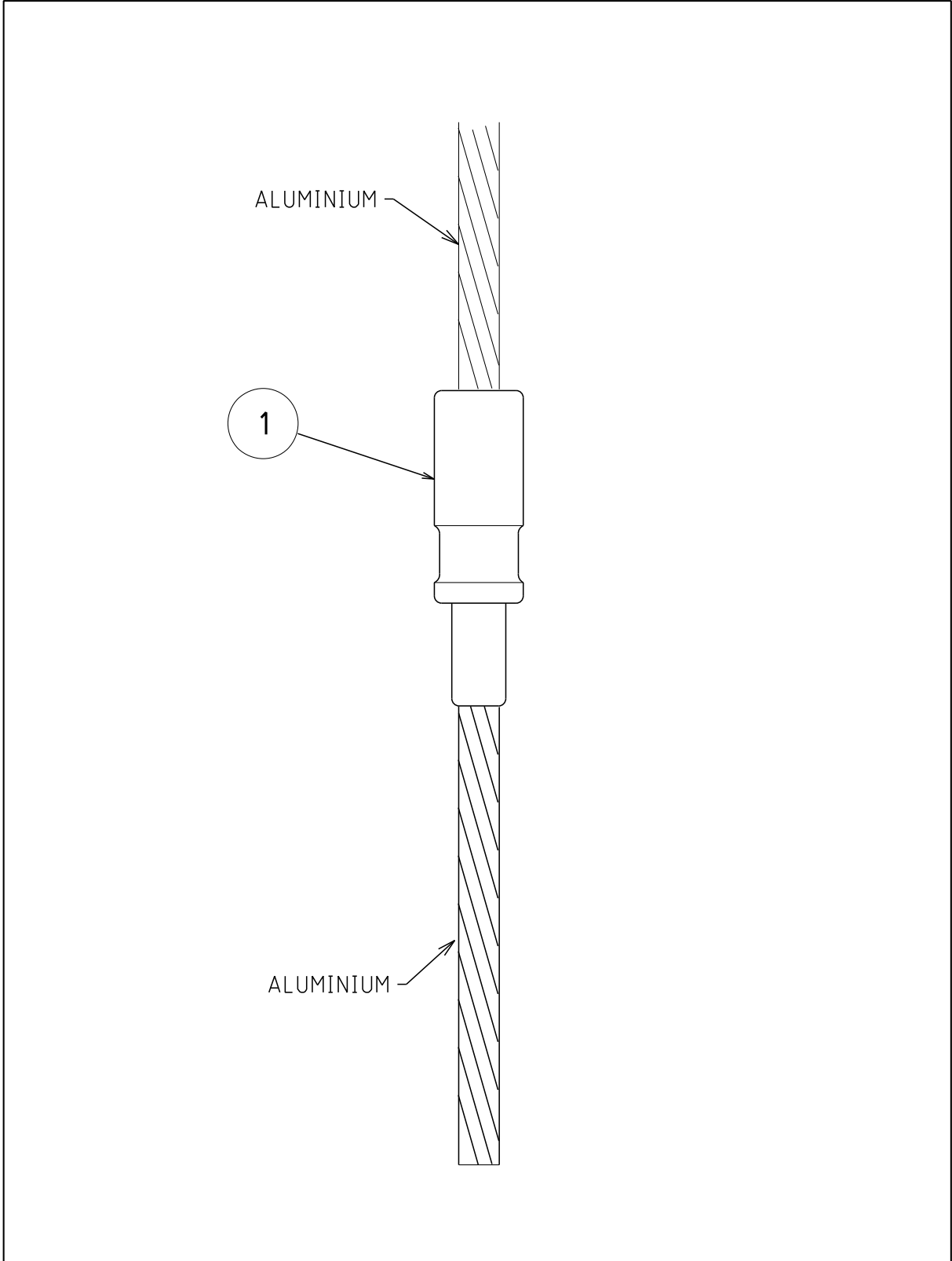


				COMPATIBLE UNIT			DISTRIBUTION DESIGN CATALOGUE					
				TITLE			DRAWN: JRR		DATE: 23-03-2014		DRG. No.	
				SPLICE ABC TO BARE COPPER			ORIGINATED:		SCALE: NTS		CN69	
							CHECKED: REE		APPROVED:		REV. B	
							GRANT STACY					
REV	DATE	DESCRIPTION	ORGD	CHKD	APRD							
B	20.06.16	ALUMINIUM CONDUCTOR ADDED	JC	REE	GS							
A	21.01.99	ORIGINAL ISSUE										

<b>CU</b>	<b>CU Description</b>
-----------	-----------------------

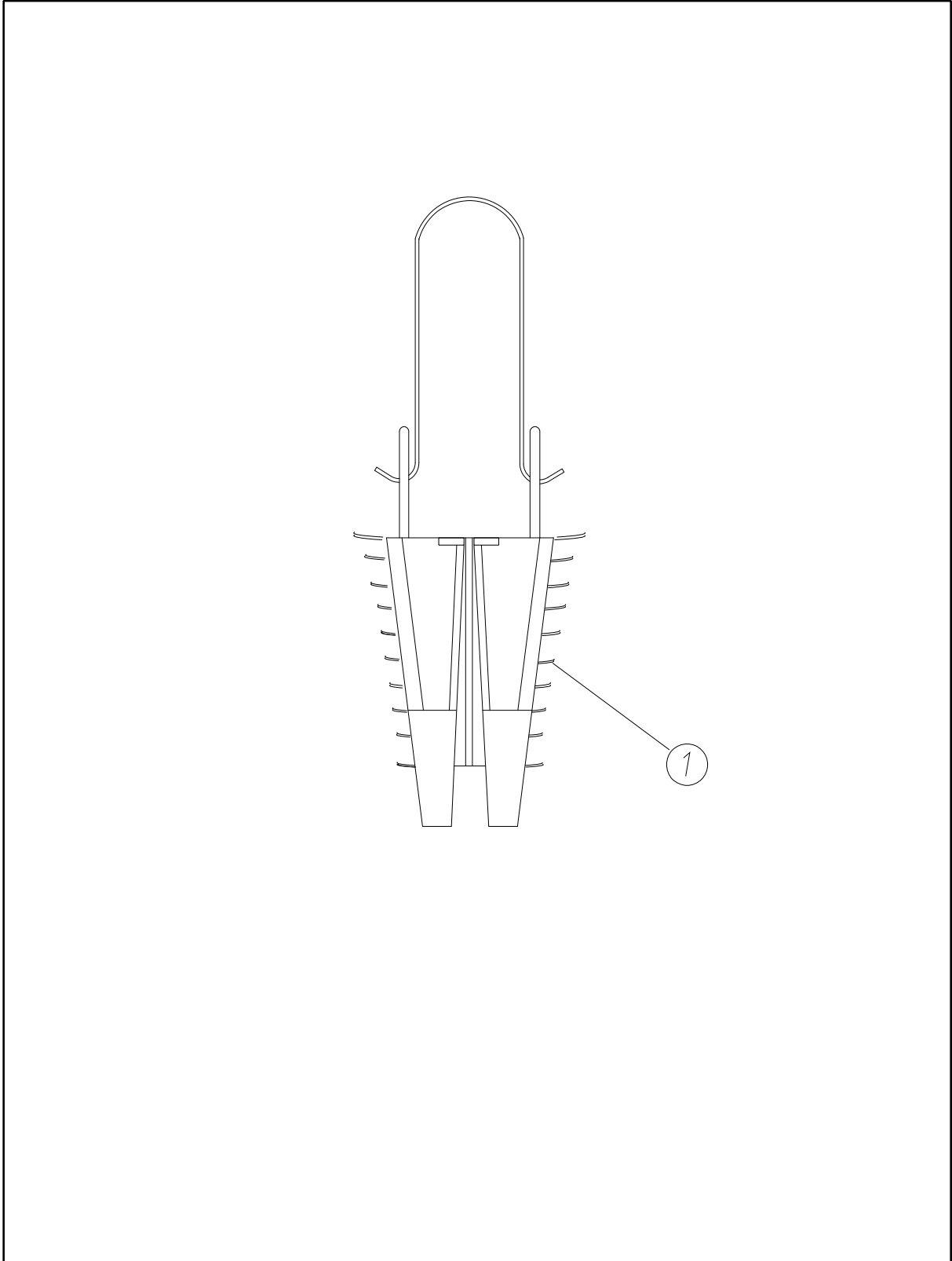
CN69_95 Splice - ABC to bare copper_95					
ITEM NUMBER	STOCK CODE	DESCRIPTION	QTY RQD	UNIT OF MEASURE	REMARKS
1	CJ0492	Splice	1	ea	

CN69_150 Splice - ABC to bare copper_150					
ITEM NUMBER	STOCK CODE	DESCRIPTION	QTY RQD	UNIT OF MEASURE	REMARKS
1	CJ0493	Splice	1	ea	



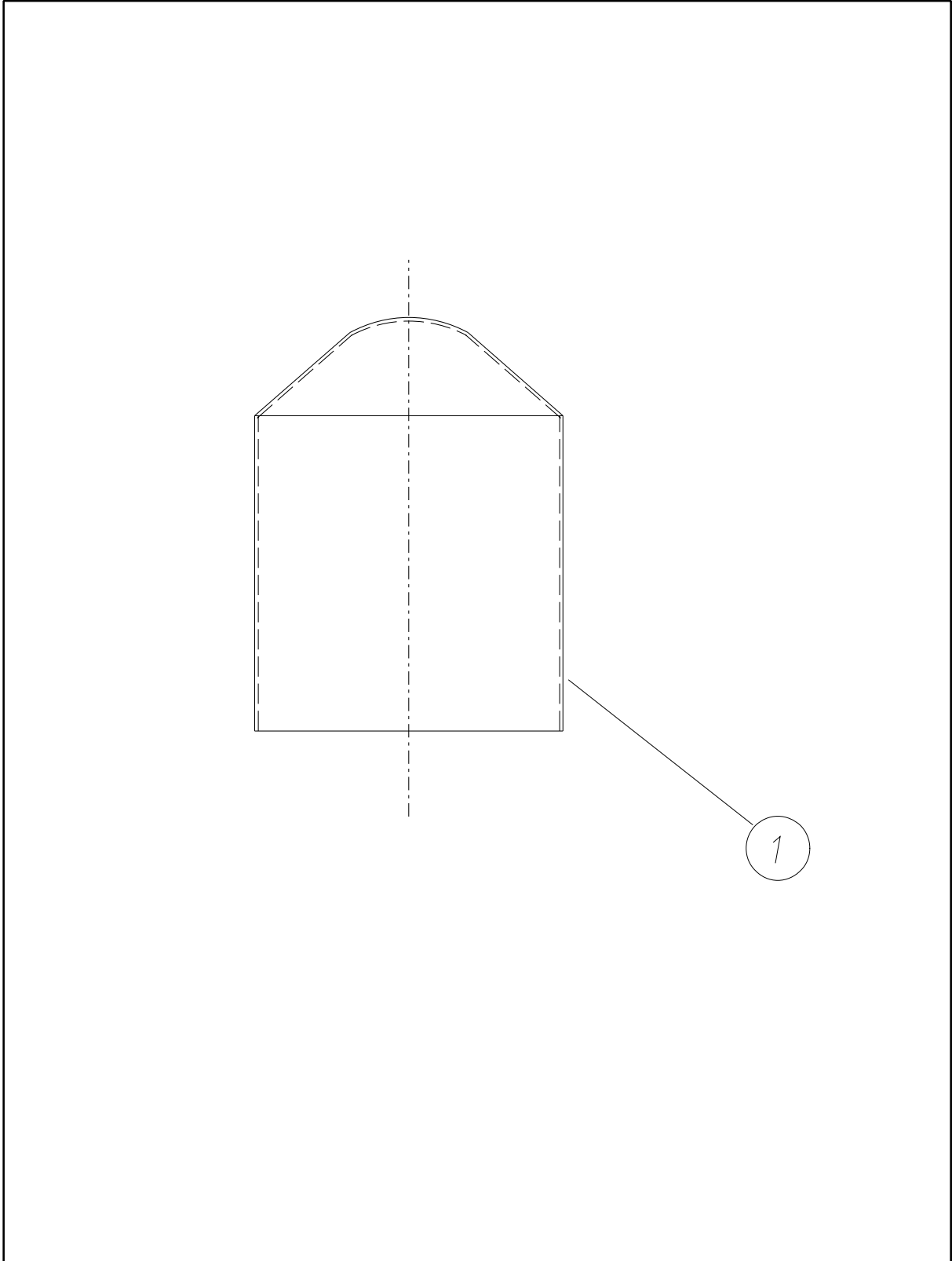
				COMPATIBLE UNIT			DISTRIBUTION DESIGN CATALOGUE					
				TITLE			DRAWN: JRR		DATE: 23-03-2014		DRG. No.	
				SPLICE ABC TO BARE ALUMINIUM			ORIGINATED:		SCALE: NTS		CN70	
							CHECKED: REE		APPROVED:		REV. B	
							GRANT STACY					
REV	DATE	DESCRIPTION	ORGO	CHKD	APRD							
B	20.06.16	ALUMINIUM CONDUCTOR ADDED	JC	REE	GS							
A	21.01.99	ORIGINAL ISSUE										

CU		CU Description			
CN70_95		Splice - ABC to bare aluminium_95			
ITEM NUMBER	STOCK CODE	DESCRIPTION	QTY RQD	UNIT OF MEASURE	REMARKS
1	CJ0494	Splice	1	ea	
CN70_150		Splice - ABC to bare aluminium_150			
ITEM NUMBER	STOCK CODE	DESCRIPTION	QTY RQD	UNIT OF MEASURE	REMARKS
1	CJ0496	Splice	1	ea	
CN71_2/6		Conductor 2 core twisted 6mm			
ITEM NUMBER	STOCK CODE	DESCRIPTION	QTY RQD	UNIT OF MEASURE	REMARKS
1	EE1120	2c 6mm <sup>2</sup> service cable	1	mr	
CN71_3/6		Conductor 3 core twisted 6mm			
ITEM NUMBER	STOCK CODE	DESCRIPTION	QTY RQD	UNIT OF MEASURE	REMARKS
1	EE1124	3c 6mm <sup>2</sup> service cable	1	mr	
CN71_4/6		Conductor 4 core twisted 6mm			
ITEM NUMBER	STOCK CODE	DESCRIPTION	QTY RQD	UNIT OF MEASURE	REMARKS
1	EE1122	4c 6mm <sup>2</sup> service cable	1	mr	
CN71_2/16		Conductor 2 core twisted 16mm			
ITEM NUMBER	STOCK CODE	DESCRIPTION	QTY RQD	UNIT OF MEASURE	REMARKS
1	EE1126	2c 16mm <sup>2</sup> service cable	1	mr	
CN71_4/16		Conductor 4 core twisted 16mm			
ITEM NUMBER	STOCK CODE	DESCRIPTION	QTY RQD	UNIT OF MEASURE	REMARKS
1	EE1128	4c 16mm <sup>2</sup> service cable	1	mr	



				COMPATIBLE UNIT			DISTRIBUTION DESIGN CATALOGUE			
				TITLE			DRAWN: JRR		DATE: 28-03-2016	
				STRAIN CLAMP			ORIGINATED:		SCALE: NTS	
				HOUSE SERVICE &			CHECKED: REE		DRG. No. CN72	
				STREET LIGHT FEED			APPROVED: GRANT STACY		REV. A	
REV	DATE	DESCRIPTION	ORGO	CHKD	APRO					
A	27.09.13	ORIGINAL ISSUE								

<b>CU</b>		<b>CU Description</b>			
CN72      Clamp strain - house service clamp					
ITEM NUMBER	STOCK CODE	DESCRIPTION	QTY RQD	UNIT OF MEASURE	REMARKS
1	CC0111	clamp	1	ea	



				COMPATIBLE UNIT		DISTRIBUTION DESIGN CATALOGUE			
				TITLE		DRAWN: JRR		DATE: 28-03-2016	
				CABLE END CAP		ORIGINATED:		SCALE: NTS	
						CHECKED: REE		DRG. No. CN73	
						APPROVED: GRANT STACY		REV. A	
REV	DATE	DESCRIPTION	ORGD	CHKD	APRD				
A	19 04 03	ORIGINAL ISSUE							

<b>CU</b>	<b>CU Description</b>
-----------	-----------------------

CN73_35/185 End Cap Heat Shrink 35 to 185 HV Cable					
ITEM NUMBER	STOCK CODE	DESCRIPTION	QTY RQD	UNIT OF MEASURE	REMARKS
1	FE0021	end cap	3	ea	

CN73_240 End Cap Heat Shrink 240-400 HV Cable					
ITEM NUMBER	STOCK CODE	DESCRIPTION	QTY RQD	UNIT OF MEASURE	REMARKS
1	FE0023	end cap	3	ea	

CN73_LVMAIN End Cap Heat Shrink 120 to 240 LV Cable					
ITEM NUMBER	STOCK CODE	DESCRIPTION	QTY RQD	UNIT OF MEASURE	REMARKS
1	FE0021	end cap	1	ea	

CN73_LV10/16 End Cap Push On 10/16 Streetlight Cable					
ITEM NUMBER	STOCK CODE	DESCRIPTION	QTY RQD	UNIT OF MEASURE	REMARKS
1	CJ0054	end cap	1	ea	

CN73_LV25 End Cap Push On 25 3core Screened Service Cable					
ITEM NUMBER	STOCK CODE	DESCRIPTION	QTY RQD	UNIT OF MEASURE	REMARKS
1	CJ0051	end cap	1	ea	



GRIPPING SECTION

DAMPING SECTION

IDENTIFICATION MARKINGS

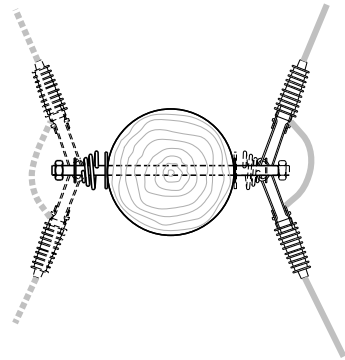
STOCK CODE	PART No.	CONDUCTOR $\phi$ RANGE	MIN. LENGTH	COLOUR
CD0022	SVD-0102	4.42 - 6.34	1175	RED
CD0023	SVD-0103	6.35 - 8.29	1225	BLUE
CD0024	SVD-0104	8.30 - 11.74	1275	BLACK
CD0025	SVD-0105	11.75 - 14.30	1325	YELLOW
CD0038	SVD-0106	14.31 - 19.30	1625	GREEN

NOTES:-

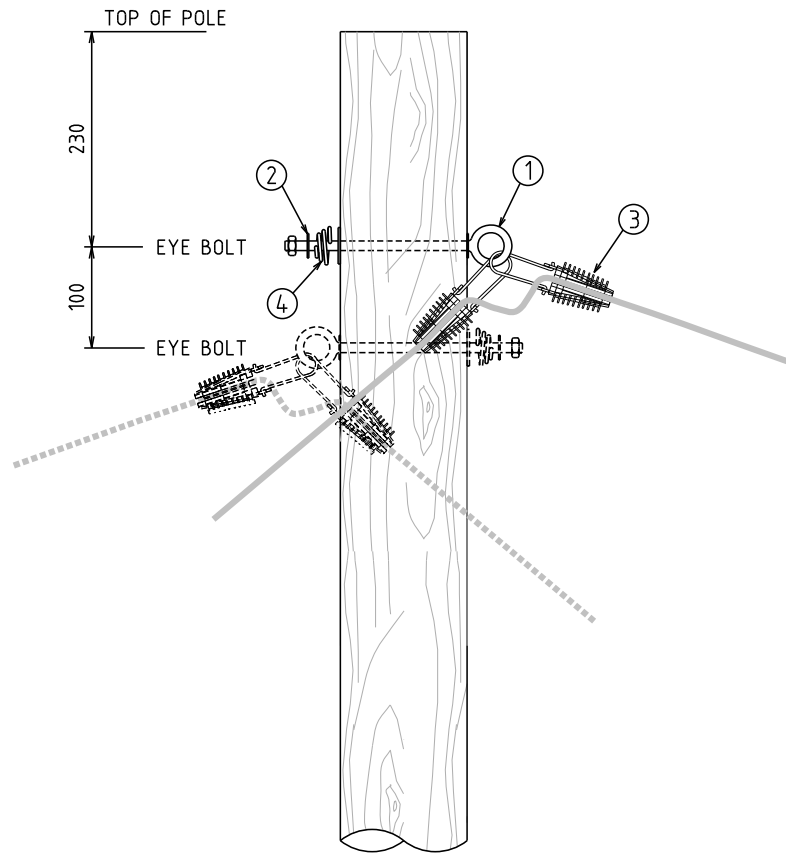
- 1 ALL DIMENSIONS ARE IN MILLIMETRES
- 2 INSTALLED ON ALL BAYS OF 3/2.75 SCAC AND ACSR/AZ CONDUCTORS BOTH SIDES OF A POST INSULATOR.
- 3 FOR BAYS >250M, A SECOND SVD IS REQUIRED AT EITHER END OF THE SPAN.
4. SVD'S NOT REQUIRED ON STRAIN SIDE OF SPAN.

				COMPATIBLE UNIT				DISTRIBUTION DESIGN CATALOGUE				
D	17 12 20	IDENTIFICATION MARKINGS TABLE ADDED	REE	CO	GS	TITLE		DRAWN	JRR	DATE	28-03-2014	DRG No
C	26 05 14	FORMAT CHANGED AND TITLE & NOTE REVISED	JC	REE	GS	SPIRAL VIBRATION DAMPERS		ORIGINATED	SCALE	NTS	CN74	
B	18 06 13	REDRAWN	JC	REE	GS			CHECKED	REE	APPROVED		
A	16 06 11	ORIGINAL ISSUE										
REV	DATE	DESCRIPTION	ORGO	CHKD	APRD							

CU		CU Description			
CN74_3/275 Vibration damper for 3/2.75 (SCAC and SCGZ)					
ITEM NUMBER	STOCK CODE	DESCRIPTION	QTY RQD	UNIT OF MEASURE	REMARKS
1	CD0022	Vibration damper	1	ea	
CN74_6/1/250 Vibration damper for 6/1/2.50 ACSR/AZ					
ITEM NUMBER	STOCK CODE	DESCRIPTION	QTY RQD	UNIT OF MEASURE	REMARKS
1	CD0023	Vibration damper	1	ea	
CN74_6/1/275 Vibration damper for 6/1/2.75 ACSR/AZ					
ITEM NUMBER	STOCK CODE	DESCRIPTION	QTY RQD	UNIT OF MEASURE	REMARKS
1	CD0023	Vibration damper	1	ea	
CN74_6/1/300 Vibration damper for 6/1/3.00 ACSR/AZ or AACSR/AC					
ITEM NUMBER	STOCK CODE	DESCRIPTION	QTY RQD	UNIT OF MEASURE	REMARKS
1	CD0024	Vibration damper	1	ea	
CN74_6/475 Vibration damper for 6/4.75 -7/1.6 ACSR/AZ					
ITEM NUMBER	STOCK CODE	DESCRIPTION	QTY RQD	UNIT OF MEASURE	REMARKS
1	CD0025	Vibration damper	1	ea	
CN74_7/250 Vibration damper for 7/250 AAC/AAAC					
ITEM NUMBER	STOCK CODE	DESCRIPTION	QTY RQD	UNIT OF MEASURE	REMARKS
1	CD0023	Vibration damper	1	ea	
CN74_7/375 Vibration damper for 7/375 AAC/AAAC					
ITEM NUMBER	STOCK CODE	DESCRIPTION	QTY RQD	UNIT OF MEASURE	REMARKS
1	CD0024	Vibration damper	1	ea	
CN74_7/475 Vibration damper for 7/475 AAC/AAAC					
ITEM NUMBER	STOCK CODE	DESCRIPTION	QTY RQD	UNIT OF MEASURE	REMARKS
1	CD0025	Vibration damper	1	ea	



TOP VIEW



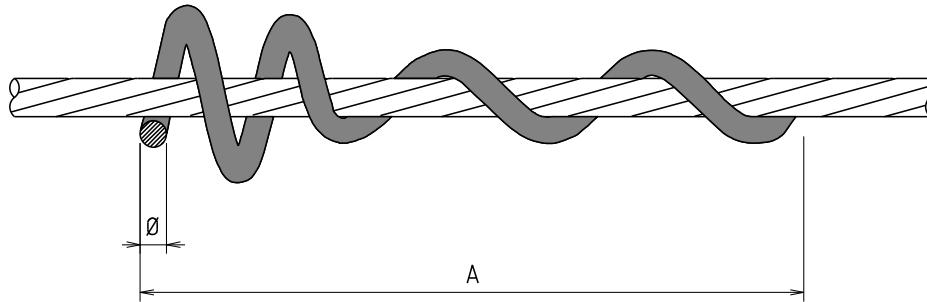
WOOD POLE

NOTES:

1. MAXIMUM SPAN LENGTH OF 30m, GOVERNED BY THE STRENGTH OF THE WEDGE CLAMP.
2. THREE CUSTOMER SERVICE CONNECTIONS ARE ALLOWED PER EYEBOLT WITH THE CONDITION THAT THE CUSTOMER SERVICE WIRE DOES NOT RUB AGAINST THE POLE.

				COMPATIBLE UNIT			DISTRIBUTION DESIGN CATALOGUE			
				TITLE			DRAWN: JRR		DATE: 30-09-2014	
				CUSTOMER SERVICE CARRYOVER CONNECTION			ORIGINATED: JC		SCALE: NTS	
							CHECKED: REE		DRG. No. CN75	
							APPROVED: GRANT STACY		REV. A	
A	13.10.14	ORIGINAL ISSUE		JC	REF	GS				
R. No.	DATE	DESCRIPTION		ORGD.	CHEK.	APRO.				

CU		CU Description			
CN75 Customer Service Carryover Service					
ITEM NUMBER	STOCK CODE	DESCRIPTION	QTY RQD	UNIT OF MEASURE	REMARKS
1	AB6024	Eyebolt M16 350mm long	1	ea	
2	AW3546	Flat Square Washer 50x50x3	1	ea	
3	CC0111	Strain Wedge Clamp	2	ea	
4	CZ0335	Compression Spring Washer	1	ea	
CN76_AWA Hendrix Messenger Wire					
ITEM NUMBER	STOCK CODE	DESCRIPTION	QTY RQD	UNIT OF MEASURE	REMARKS
1	EE2556	Hendrix messenger wire	1	m	
CN76_19/275 Hendrix Messenger Wire					
ITEM NUMBER	STOCK CODE	DESCRIPTION	QTY RQD	UNIT OF MEASURE	REMARKS
1	ES0064	Hendrix messenger wire	1	Drum	250m drum
CN76_19/325 Hendrix Messenger Wire					
ITEM NUMBER	STOCK CODE	DESCRIPTION	QTY RQD	UNIT OF MEASURE	REMARKS
1	ES0050	Hendrix messenger wire	1	Drum	800m drum
CN77_22 Hendrix Covered Conductor					
ITEM NUMBER	STOCK CODE	DESCRIPTION	QTY RQD	UNIT OF MEASURE	REMARKS
1	EE2555	Hendrix covered conductor	1	m	
CN77_33 Hendrix Covered Conductor					
ITEM NUMBER	STOCK CODE	DESCRIPTION	QTY RQD	UNIT OF MEASURE	REMARKS
1	EE1567	Hendrix covered conductor	1	m	
CN78_3P Hendrix Spacer 3 phase					
ITEM NUMBER	STOCK CODE	DESCRIPTION	QTY RQD	UNIT OF MEASURE	REMARKS
1	IC0091	Hendrix spacer4	1	ea	

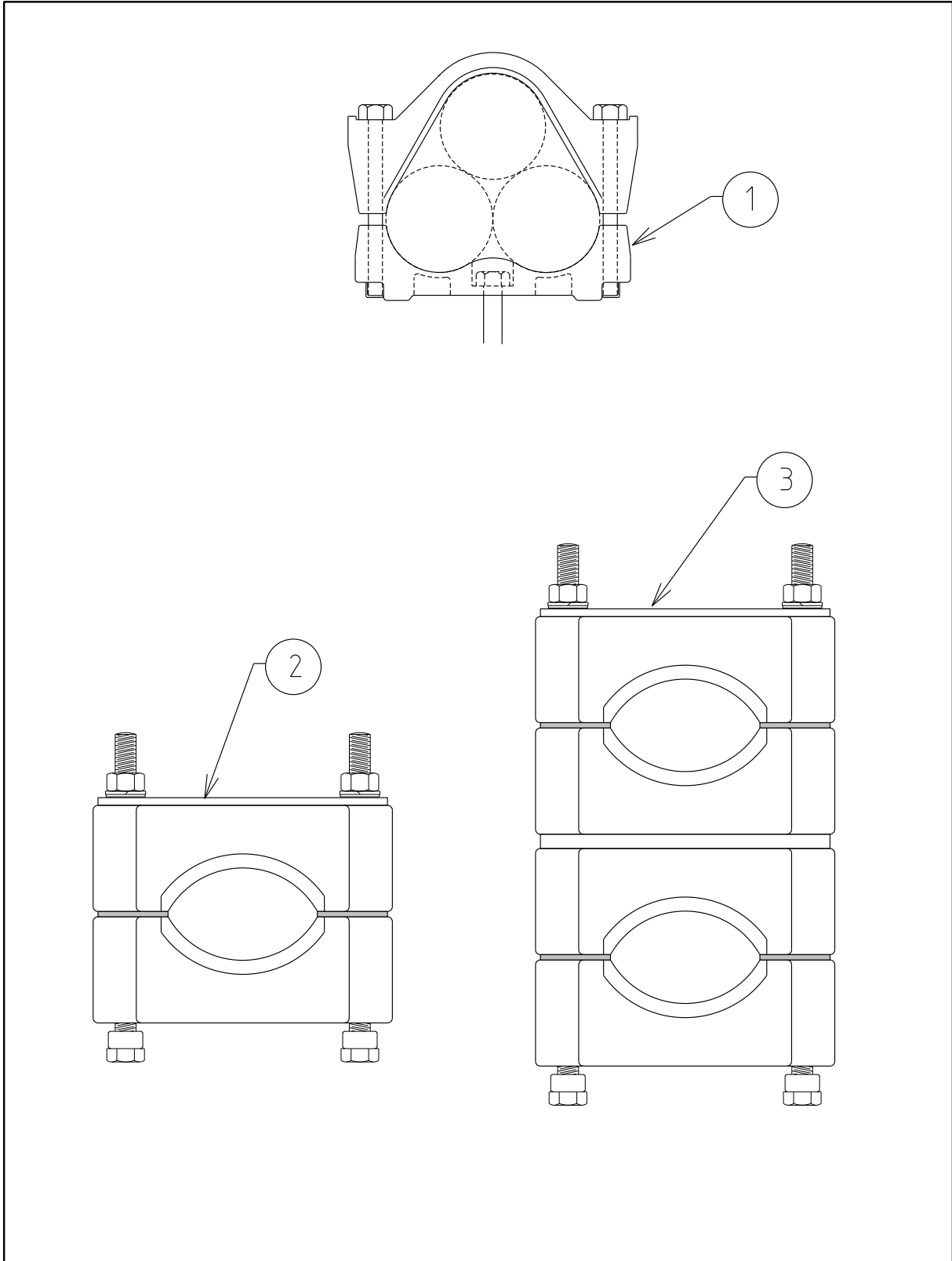


STOCK CODE	CONDUCTOR RANGE	"Ø"	"A"	USE FOR CONDUCTOR
CG0010	4.41 - 6.34	12	300	3/2.75
CG0014	14.4 - 19.3	19	480	19/3.25
CG0021	6.35 - 8.87	12	360	7/2.50
CG0022	8.3 - 11.74	12	370	7/3.75
CG0023	11.53 - 15.21	12	410	7/4.75

NOTES:-  
 1. ALL DIMENSIONS ARE IN MILLIMETRES.  
 2. MATERIAL: YELLOW UV STABILIZED PVC.  
 3. SPIRAL IS RIGHT HAND LAY.

				COMPATIBLE UNIT			DISTRIBUTION DESIGN CATALOGUE		westernpower	
				TITLE			DRAWN: JRR		DATE: 20-03-2017	
				BIRD FLIGHT DIVERTERS			ORIGINATED: REE		SCALE: NTS	
							CHECKED: JC		ORG. No. CN79	
							APPROVED: GRANT STACY		REV. A	
A	23.03.17	ORIGINAL ISSUE		REE	JC	GS				
REV	DATE	DESCRIPTION		ORGD	CHKD	APRD				

CU		CU Description			
CN79_3/275 Bird Diverter for 3/2.75 (SCAC and SCGZ)					
ITEM NUMBER	STOCK CODE	DESCRIPTION	QTY RQD	UNIT OF MEASURE	REMARKS
1	CG0010	Bird Diverter	1	ea	
CN79_19/325 Bird Diverter for 19/3.25 (AAC AND AAAC)					
ITEM NUMBER	STOCK CODE	DESCRIPTION	QTY RQD	UNIT OF MEASURE	REMARKS
1	CG0014	Bird Diverter	1	ea	
CN79_7/250 Bird Diverter for 7/2.50 (AAC AND AAAC)					
ITEM NUMBER	STOCK CODE	DESCRIPTION	QTY RQD	UNIT OF MEASURE	REMARKS
1	CG0021	Bird Diverter	1	ea	
CN79_7/375 Bird Diverter for 7/3.75 (AAC AND AAAC)					
ITEM NUMBER	STOCK CODE	DESCRIPTION	QTY RQD	UNIT OF MEASURE	REMARKS
1	CG0022	Bird Diverter	1	ea	
CN79_7/475 Bird Diverter for 7/4.75 (AAC AND AAAC)					
ITEM NUMBER	STOCK CODE	DESCRIPTION	QTY RQD	UNIT OF MEASURE	REMARKS
1	CG0023	Bird Diverter	1	ea	



				TITLE			COMPATIBLE UNIT		DISTRIBUTION DESIGN CATALOGUE		westernpower	
				CABLE CLAMP					DRAWN: JRR		DRG. No.	
									ORIGINATED: GC		SCALE: NTS	
									CHECKED: NMc		CN80	
									APPROVED:		REV. B	
									GRANT STACY		SHT.	
REV.	DATE	DESCRIPTION	ORGD.	CHKD.	APRD.							
B	22.08.22	ITEMS FM0204 AND FM0201 ADDED	CO	SH	GS							
A	27.11.19	ORIGINAL ISSUE	CO	GC	GS							

CU		CU Description			
CN80_400/22 Cable Clamp for 400mm <sup>2</sup> 22kV Cable					
ITEM NUMBER	STOCK CODE	DESCRIPTION	QTY RQD	UNIT OF MEASURE	REMARKS
1	FM0213	Cable clamp for 400mm <sup>2</sup> 22kV cable	1	ea	
CN80_240/22 Cable Clamp for 240mm <sup>2</sup> 22kV Cable					
ITEM NUMBER	STOCK CODE	DESCRIPTION	QTY RQD	UNIT OF MEASURE	REMARKS
1	FM0213	Cable clamp for 240mm <sup>2</sup> 22kV cable	1	ea	
CN80_185/33 Cable Clamp for 185mm <sup>2</sup> 33kV Cable					
ITEM NUMBER	STOCK CODE	DESCRIPTION	QTY RQD	UNIT OF MEASURE	REMARKS
1	FM0213	Cable clamp for 185mm <sup>2</sup> 33kV cable	1	ea	
CN80_240/33 Cable Clamp for 240mm <sup>2</sup> 33kV Cable					
ITEM NUMBER	STOCK CODE	DESCRIPTION	QTY RQD	UNIT OF MEASURE	REMARKS
1	FM0213	Cable clamp for 240mm <sup>2</sup> 33kV cable	1	ea	
CN80_400/22S Single cable Clamp for 400mm <sup>2</sup> 22kV Cable					
ITEM NUMBER	STOCK CODE	DESCRIPTION	QTY RQD	UNIT OF MEASURE	REMARKS
2	FM0204	Cable clamp for 400mm <sup>2</sup>	3	ea	
CN80_400/22D Double cable Clamp for 400mm <sup>2</sup> 22kV Cable					
ITEM NUMBER	STOCK CODE	DESCRIPTION	QTY RQD	UNIT OF MEASURE	REMARKS
3	FM0201	Cable clamp for 400mm <sup>2</sup>	3	ea	
CN80_240/22S Single cable Clamp for 240mm <sup>2</sup> 22kV Cable					
ITEM NUMBER	STOCK CODE	DESCRIPTION	QTY RQD	UNIT OF MEASURE	REMARKS
2	FM0204	Cable clamp for 240mm <sup>2</sup>	3	ea	
CN80_240/22D Double cable Clamp for 240mm <sup>2</sup> 22kV Cable					
ITEM NUMBER	STOCK CODE	DESCRIPTION	QTY RQD	UNIT OF MEASURE	REMARKS
3	FM0201	Cable clamp for 240mm <sup>2</sup>	3	ea	

<b>CU</b>	<b>CU Description</b>
-----------	-----------------------

<b>CN80_185/22S</b> Single cable Clamp for 185mm <sup>2</sup> 33kV Cable					
--	--	--	--	--	--

ITEM NUMBER	STOCK CODE	DESCRIPTION	QTY RQD	UNIT OF MEASURE	REMARKS
2	FM0204	Cable clamp for 185mm <sup>2</sup>	3	ea	

<b>CN80_185/22D</b> Double cable Clamp for 185mm <sup>2</sup> 33kV Cable					
--	--	--	--	--	--

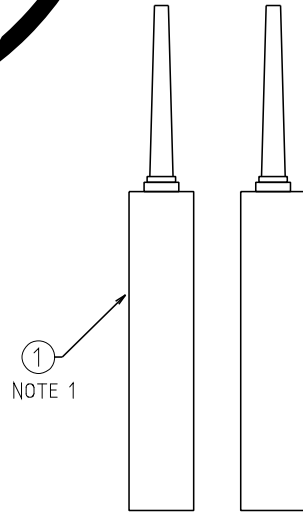
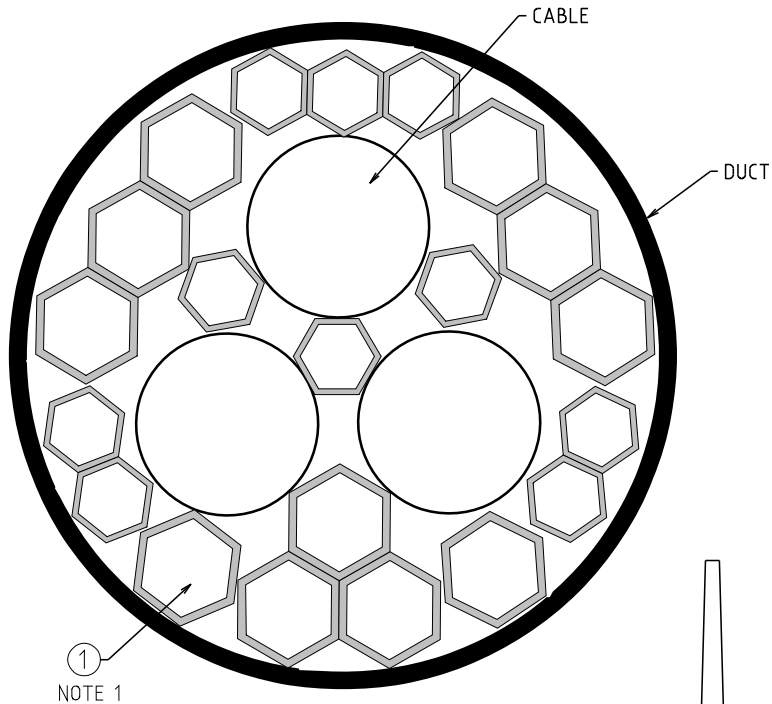
ITEM NUMBER	STOCK CODE	DESCRIPTION	QTY RQD	UNIT OF MEASURE	REMARKS
3	FM0201	Cable clamp for 185mm <sup>2</sup>	3	ea	

<b>CN80_240/33S</b> Single cable Clamp for 240mm <sup>2</sup> 33kV Cable					
--	--	--	--	--	--

ITEM NUMBER	STOCK CODE	DESCRIPTION	QTY RQD	UNIT OF MEASURE	REMARKS
2	FM0204	Cable clamp for 240mm <sup>2</sup>	3	ea	

<b>CN80_240/33D</b> Double cable Clamp for 240mm <sup>2</sup> 33kV Cable					
--	--	--	--	--	--

ITEM NUMBER	STOCK CODE	DESCRIPTION	QTY RQD	UNIT OF MEASURE	REMARKS
3	FM0201	Cable clamp for 240mm <sup>2</sup>	3	ea	



NOTES:-  
1. FILLERS AND SEALANT.

				COMPATIBLE UNIT			DISTRIBUTION DESIGN CATALOGUE				
				TITLE			DRAWN: JRR		DATE: 19-06-2020		DRG. No.
				CABLE DUCT SEALING			ORIGINATED: CO		SCALE: NTS		CN81
							CHECKED: NN		APPROVED:		REV. SHY.
							GRANT STACY		A		
REV	DATE	DESCRIPTION	ORGO.	CHKD.	APRO.						
A	22.06.20	ORIGINAL ISSUE	CO	NN	GS						

<b>CU</b>		<b>CU Description</b>			
CN81 Conduit Sealing up to 160mm					
ITEM NUMBER	STOCK CODE	DESCRIPTION	QTY RQD	UNIT OF MEASURE	REMARKS
1	FM0215	Conduit sealing kit	1	ea	